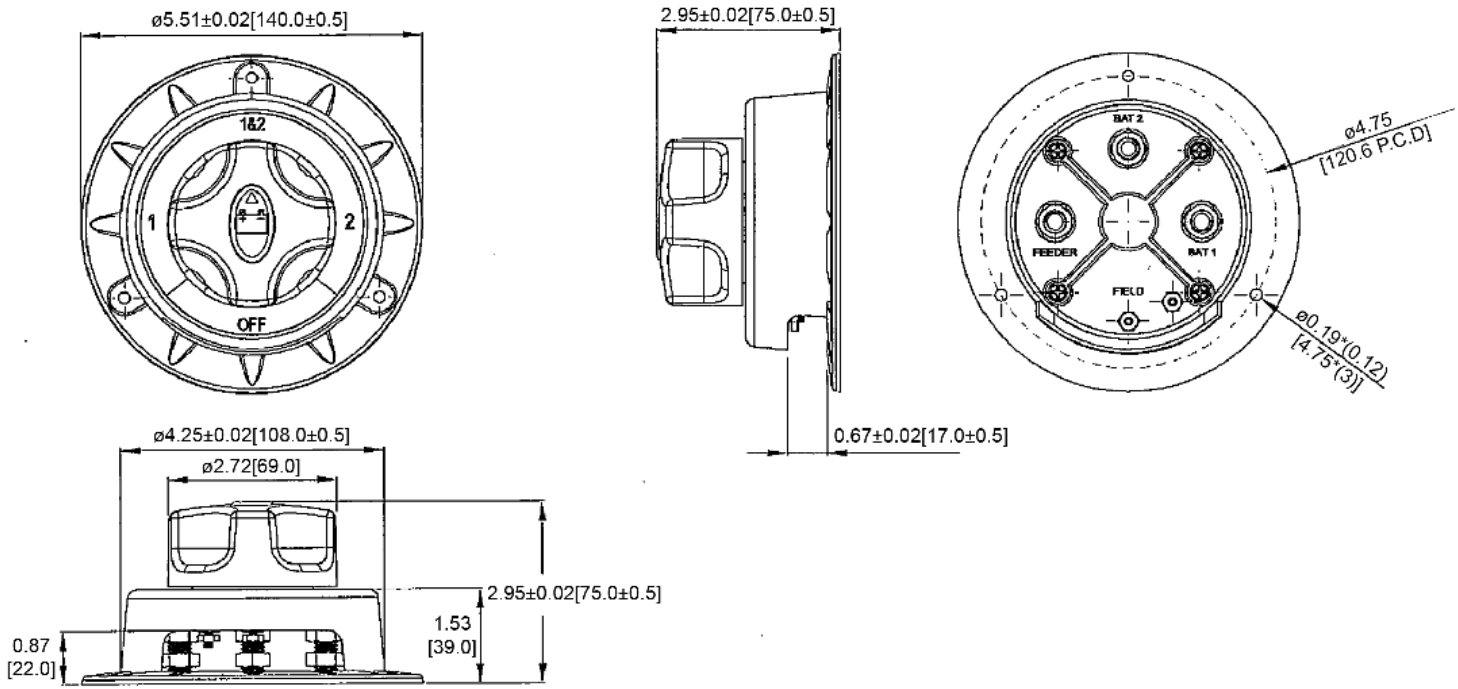


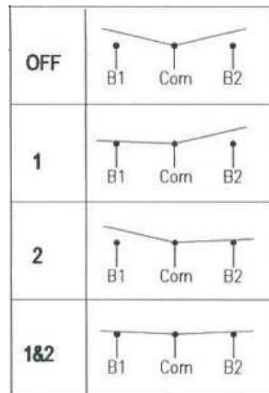
## Mechanical Dimensions: Inches [mm]

Tolerances  $\pm 0.012$  [0.3] Unless Otherwise Specified



## Circuit Diagram

OFF - BAT#1 - BOTH - BAT#2



## Electrical Specifications

Continuous Rating	200A 12-50V DC
Intermittent Rating	300A
Cranking Rating	1000A for 5secs
Insulation Resistance	DC 1000V 100M ohm Min.
Operation Temperature	-20°C ~ 80°C

## Material Specifications

Housing	PBT (UL94V-0)
Bottom	PBT (UL94V-0)
Terminals / Contacts	Copper Alloy
Actuator	PBT (UL94V-0)

<b>Rev</b>	<b>Date of issue</b>	<b>Revision Notes</b>	<b>Designed</b>	<b>Approved</b>
A	12-14-2020	Initial Drawing	RC	OF