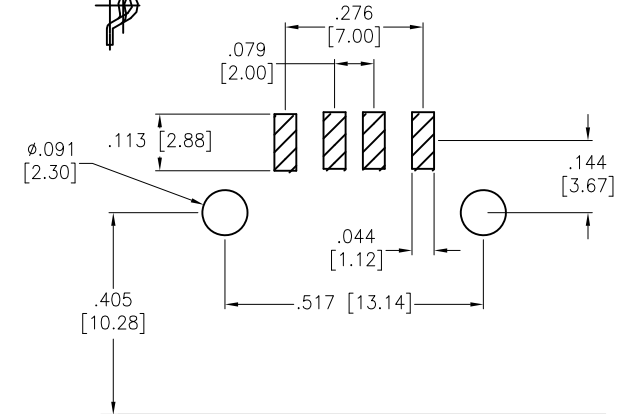
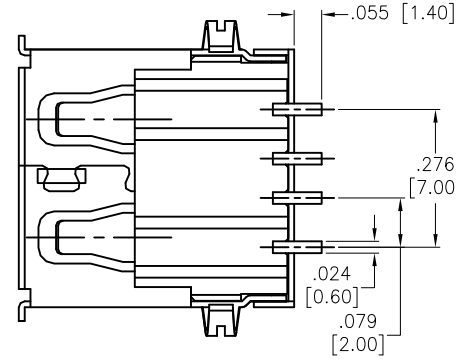
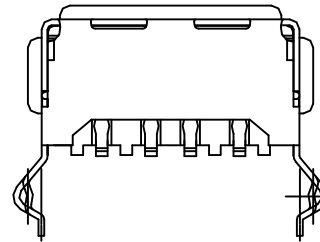
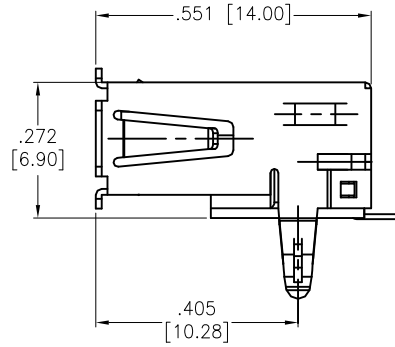
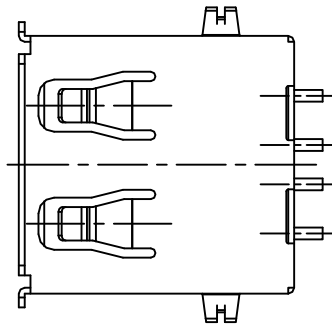


APPROVED: \_\_\_\_\_  
 DATE: \_\_\_\_\_ TITLE: \_\_\_\_\_

Rev	AWO #	Description	Date	Appr
-		RELEASED	5/15/06	
A		REDRAWN	6/10/11	
B		REVISED DIM.	6/11/13	
C		UPDATE DRAWING	5/25/20	LH/LW



RECOMMENDED PCB LAYOUT

**SPECIFICATIONS:**

Material:  
 Insulator: Hi-temp thermoplastic, rated UL 94V-0  
 Insulator color: Black  
 Contacts: Copper alloy  
 Shell: Copper alloy, Nickel plated  
 Plating:  
 Gold flash over Nickel underplate on contact area,  
 Tin over Nickel underplate on SMT tails  
 Electrical:  
 Voltage rating: 30 V RMS.  
 Current rating: 1.5 Amp  
 Contact resistance: 30 mohms max.  
 Insulation resistance: 1000 Mohms min. @500 VDC  
 Dielectric withstanding voltage: 500 VAC for 1 minute  
 Temperature Rating:  
 Operating temperature: -40°C to +85°C  
 Environmental:  
 Lead free, RoHS compliant.



UNLESS OTHERWISE SPECIFIED  
 ALL DIMENSIONS ARE INCHES [MM]  
 TOLERANCES: EXCEPT AS NOTED  
 INCHES HOLES  
 .X ± .10 ØX ± .10  
 .XX ± .020 ØXX ± .015  
 .XXX ± .015 ØXXX ± .010

APPROVALS		DATE
DRAWN	SS	5/15/06
CHECKED		
APPROVED		

**ADAM TECH INTERCONNECTS**  
 909 Rahway Avenue,  
 Union, NJ 07083  
 Phone: 908-687-5000  
 Fax: 908-687-5710

TITLE UNIVERSAL SERIAL BUS SINGLE PORT, RIGHT ANGLE, SMT		
SIZE X	PART NO. USB-A-S-RA-SMT	REV. C
REF: S00005C	SCALE: NTS	SHEET 1 OF 1