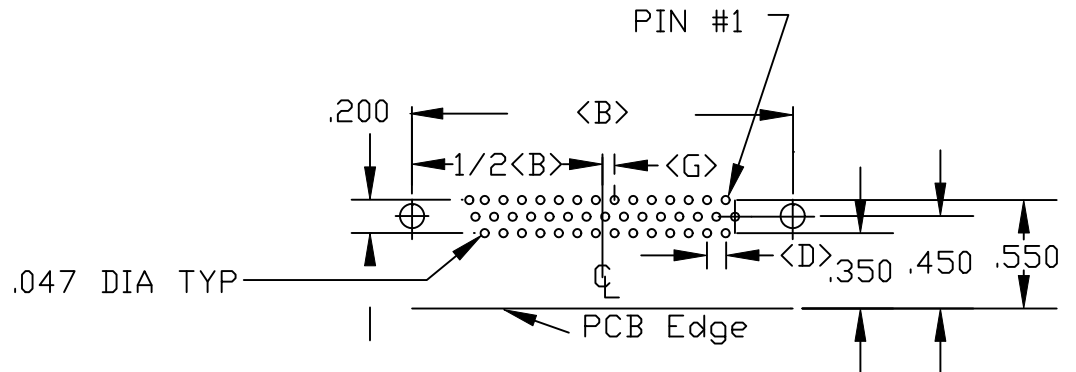
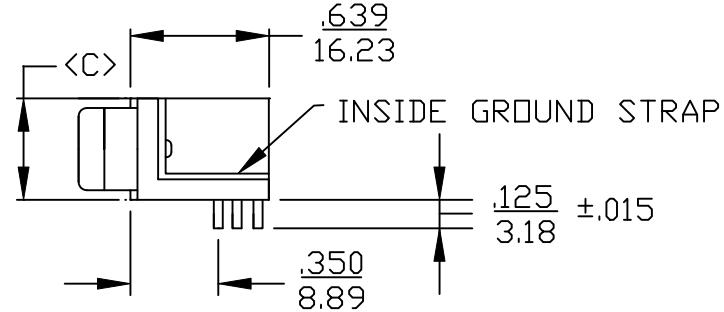
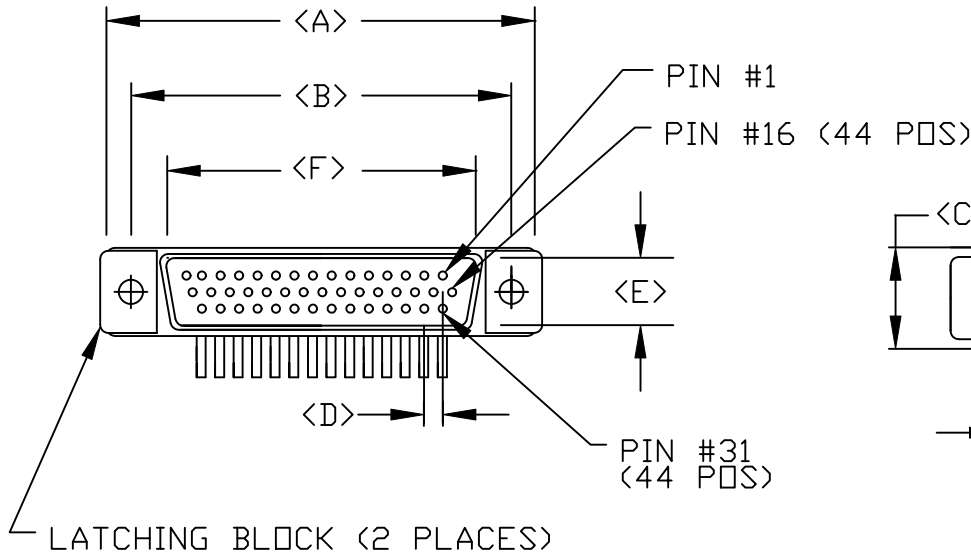


DESCRIPTION: HIGH DENSITY FEMALE RIGHT ANGLE W/LATCH BLOCKS

POS.	A ±.015	B ±.010	C ±.005	D	E ±.005	F ±.005	G ±.008
15	1.213	0.984	0.496	0.090	0.329	0.666	0.0099
	30.80	24.99	12.60	2.29	8.36	16.92	0.25
26	1.543	1.312	0.496	0.090	0.329	0.994	0.0201
	39.19	33.32	12.60	2.29	8.36	25.25	0.51
44	2.087	1.852	0.496	0.090	0.329	1.534	0.0201
	53.00	47.04	12.60	2.29	8.36	38.96	0.51
62	2.732	2.500	0.496	0.095	0.329	2.181	0.0229
	69.30	63.50	12.60	2.41	8.36	55.42	0.58

181-XXX-213R961
= Pin Count



ELECTRICALS:

- CURRENT RATING: 2 AMPS
- CONTACT RESISTANCE: 15 mOHMS MAX.
- INSULATOR RESISTANCE: 1000MOHMS MIN.
- VOLTAGE: 500V FOR 1 MINUTE
- TEMPERATURE: -50° TO +100°

MATERIALS:

- SHELL: STEEL, NICKEL PLATED
- INSULATOR: NYLON 6T - BLACK (UL-94-VO) 260° PROCESS TEMP.
- CONTACTS: BRASS - GOLD FLASH ENTIRE CONTACT

RoHS COMPLIANT



THESE DRAWINGS AND SPECIFICATIONS ARE THE PROPERTY OF NorComp AND SHALL NOT BE REPRODUCED, COPIED OR USED AS THE BASIS FOR THE MANUFACTURE OR SALE OF APPARATUS WITHOUT WRITTEN PERMISSION.

DRAWN: PAM JENKINS		DATE: 6-30-06
CHECKED:		DATE:
SCALE:	SHEET OF	REV 1
DWG NO. 181-XXX-213R961		

NorComp