

I-7561
USB to Isolated RS-232/422/485 Converter
I-7561U *NEW*
**USB to Isolated RS-232/422/485 Converter
(Windows 8 / 8.1)**


I-7561/I-7561-G

I-7561U-G


Features ▶▶▶▶

- Fully Compliant with the USB 1.1/2.0/3.0
- 3000 V_{DC} Isolation Protection on the RS-232/422/485 side
- ESD Protection for the RS-232/422/485 Data Line
- Transmission speed up to 921.6 kbps (For I-7561U)
- No External Power Supply required
- Automatic RS-485 Direction Control
- Operating Temperatures, -25 °C ~ +75 °C
- DIN-Rail Mounting

Introduction

The I-7561/I-7561U is a cost-effective module for transferring serial data via USB. It allows you to connect your serial devices to systems that use a USB interface. Connecting the I-7561/I-7561U to a PC, you get one RS-232/422/485 port. Like the I-7520A, the I-7561 contains "Self-Tuner" chip auto-tunes the Baud Rate and data format to the RS-485 network. The I-7561/I-7561U module derives its power from the USB port and doesn't need any power adapter.

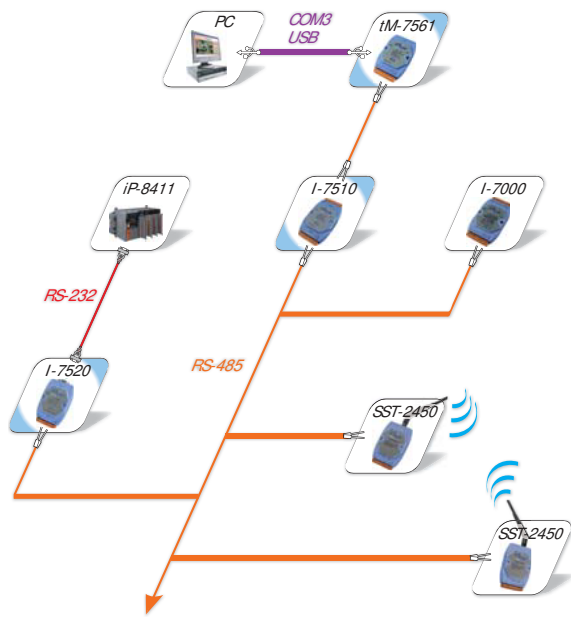
Software

| | |
|----------------|---|
| I-7561 Driver | Windows 98/ME/2000/XP/Vista (32/64-bit)/7 (32/64-bit)/Linux |
| I-7561U Driver | Windows 98/ME/2000/XP/Vista (32/64-bit)/7 (32/64-bit)/8 (32/64-bit)/8.1 (32/64-bit)/Linux |

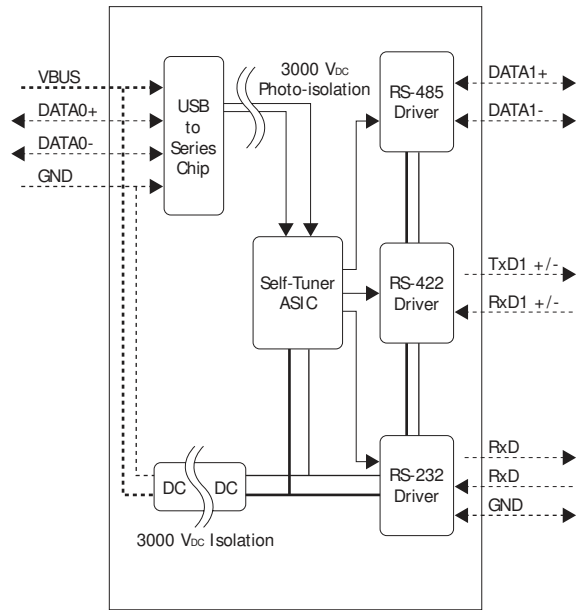
System Specifications

| Models | I-7561 | I-7561U |
|----------------------------------|---|--|
| Interface | | |
| USB | Fully Compliant with the USB 1.1/2.0/3.0 | |
| Serial Interface | RS-232 | The RS-232, RS-422 and RS-485 cannot be used simultaneously • TxD, RxD, GND • TxD+, TxD-, RxD+, RxD- • Data+, Data- |
| | RS-422 | |
| | RS-485 | |
| RS-422/485 Transmission Distance | Max. 1,200 m at 9.6 kbps; Max. 400 m at 115.2 kbps (Belden 9841 2P twisted-pair cable, if different cables are used, the transmission distance may change) | |
| Self-Tuner Asic Inside (RS-485) | Yes | |
| Speed | 300 ~ 115200 bps | 300 ~ 921.6 kbps |
| Connector | RS-232/422/485 | Removable 10-Pin Terminal Block |
| | USB | Type B |
| Cable Included | CA-USB18 (1.8 m Cable) x 1 | |
| LED Indicators | | |
| Power | Yes | |
| Power | | |
| Input Voltage Range | +5 V _{DC} from USB | |
| Power Consumption | 0.5 W | |
| Mechanical | | |
| Casing | Plastic | |
| Flammability | Fire-Retardant Materials (UL94-V0 Level) | |
| Dimensions (W x H x D) | 72 mm x 115 mm x 35 mm | |
| Installation | DIN-Rail Mounting | |
| Environment | | |
| Operating Temperature | -25 °C ~ +75 °C | |
| Storage Temperature | -30 °C ~ +75 °C | |
| Humidity | 10 ~ 90% RH, non-condensing | |

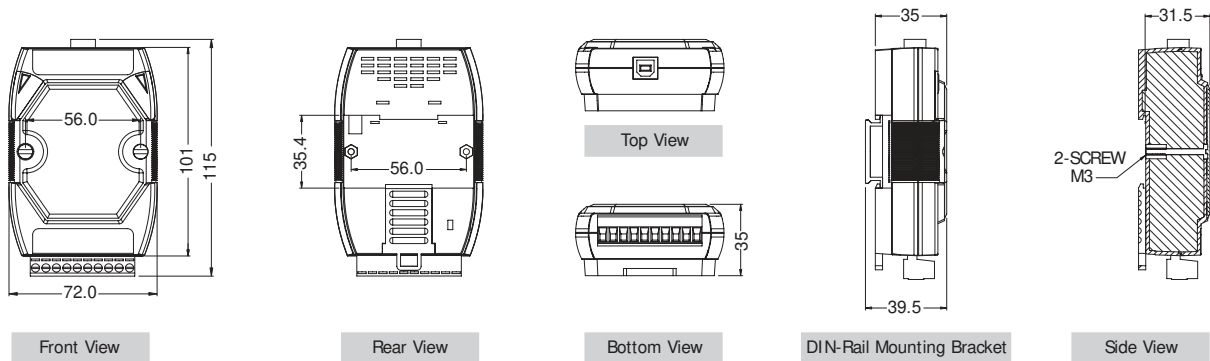
Applications



Internal I/O Structure



Dimensions (Unit: mm)



Pin Assignments



| Terminal No. | Pin Assignment |
|--------------|-------------------|
| RS-485 | 01 DATA+ |
| | 02 DATA- |
| RS-422/485 | 03 Tx D+ |
| | 04 Tx D- |
| RS-232 | 05 Rx D+ / DATA2+ |
| | 06 Rx D- / DATA2- |
| RS-232 | 07 Tx D |
| | 08 Rx D |
| | 09 (B) GND |
| | 10 (B) GND |

Ordering Information

| | |
|---------------|--|
| I-7561 CR | USB to Isolated RS-232/422/485 Converter (RoHS) |
| I-7561-G CR | USB to Isolated RS-232/422/485 Converter (Gray Cover) (RoHS) |
| I-7561U-G CR | USB to Isolated RS-232/422/485 Converter (Gray Cover) (RoHS) |
| Include Cable | CA-USB18 (1.8 m Cable) x 1 |

Accessories

| | |
|-------------|-------------------------------|
| USB-2560 CR | Industrial 4-port USB 2.0 Hub |
| CA-USB18 | USB Type A to Type B Cable |