

## Housing - DC-B 6-H-80/O2STM25S-M - 1581145

Please be informed that the data shown in this PDF Document is generated from our Online Catalog. Please find the complete data in the user's documentation. Our General Terms of Use for Downloads are valid (<http://download.phoenixcontact.com>)



DUPLICON, aluminum stackable housing for DUPLICON contact inserts, type B6, IP67 degree of protection, with two locking latches, seal and two M25 cable screw connection threads (without cable gland), angled outlet



### Key commercial data

Packing unit	1 1
Custom tariff number	85389099
Country of origin	Slovenia

### Technical data

#### Dimensions

Height	37 mm
--------	-------

#### Ambient conditions

Degree of protection for housing	IP65
	IP66
	IP67
Ambient temperature (operation)	-40 °C ... 125 °C

#### General

Design	DC-B6
Housing type	Sleeve housings
Color	pearl gray
Locking type	With locking latch
Cable exit	Lateral
Screw connection	None
Type of the screw connection	With 2x M20 thread
Housing material	Aluminum die-cast
Housing surface material	EMC-conductive

# Housing - DC-B 6-H-80/O2STM25S-M - 1581145

## Technical data

### General

Seal material	NBR
Material lock	Stainless steel
Material grip body interlock	PA

## Classifications

### eCl@ss

eCl@ss 4.0	272607xx
eCl@ss 4.1	27260701
eCl@ss 5.0	27143424
eCl@ss 5.1	27143424
eCl@ss 6.0	27143424
eCl@ss 7.0	27440209
eCl@ss 8.0	27440209

### ETIM

ETIM 3.0	EC000437
ETIM 4.0	EC000437
ETIM 5.0	EC000437

### UNSPSC

UNSPSC 6.01	31261502
UNSPSC 7.0901	31261502
UNSPSC 11	31261502
UNSPSC 12.01	31261502
UNSPSC 13.2	31261502

## Accessories

### Accessories

### Device marking

Label - EML (26,5X12)R SR - 0816854



Label, Roll, silver/matt, Unlabeled, Can be labeled with: THERMOMARK ROLL, THERMOMARK X, THERMOMARK S1.1, Mounting type: Adhesive, Lettering field: 26.5 x 12 mm

## Housing - DC-B 6-H-80/O2STM25S-M - 1581145

### Accessories

#### Full screw connection

Cable gland - HC-K-KV-M25(11-17) - 1690639



Plastic screw connection up to 5 bar, thread length: 8 mm, cable diameter: 11 - 17 mm, WAF 29, screw connection: M25

---

Cable gland - HC-K-KV-M20(8-13) - 1690626



Plastic screw connection up to 5 bar, thread length: 8 mm, cable diameter: 8 - 13 mm, WAF 24, screw connection: M20

---

#### Seal

Grommet - DC-B 6-A-HD-G - 1602326



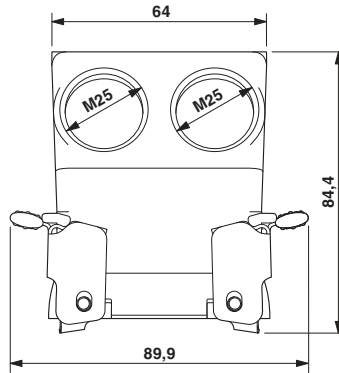
DUPLICON, profile gasket for stackable housing, made of conductive EPDM

---

### Drawings

# Housing - DC-B 6-H-80/O2STM25S-M - 1581145

Dimensioned drawing



Dimensional drawing