

DIMENSIONS IN INCHES (MILLIMETERS)  
DO NOT SCALE DRAWING .....

Dwg. No.

GRS-2012-2051

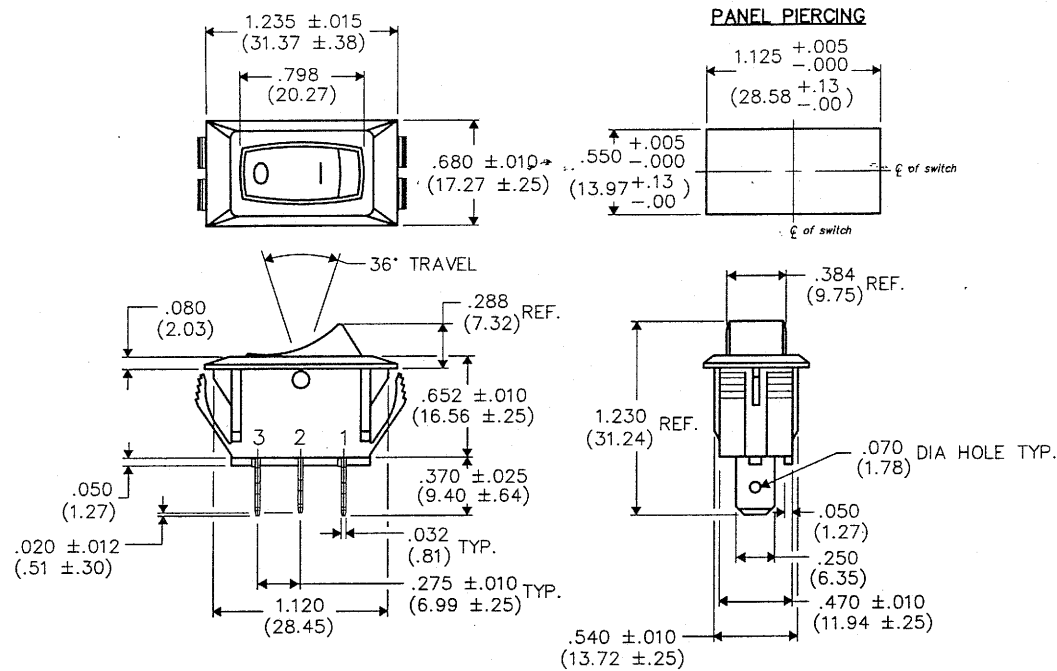
NOTE:

Terminals 2 and 3 internally jumpered.

ELECTRICAL RATINGS:

- 16A. AC 125V. AC
- 3/4 H.P. 125-250V. AC
- 12A. AC 250V. AC
- 10A. 14V. (T)
- 12(6)A. 250~(VDE)

UL/CSA/VDE



E  
D  
C  
B  
A

1 2 3 4 5 6 7 8 9 10

FORM-B4	REVISIONS	0	RELEASED DGW 4-10-2008 Apr. 10, 2008
		1	REDRAWN. ROTATED ICONS ON BUTTON & CHANGED HOUSING & CLAWS TO 5 TOOTH DESIGN. DGW 4-15-2008 G.G APR 16 2009

PDF FILE MADE	<b>CW INDUSTRIES</b> Southampton, Pa. 18966		Title: ASSEMBLY DRAWING	
	TOLERANCES UNLESS OTHERWISE SPECIFIED		S.P.D.T. ROCKER SWITCH	
	2 Place Decimal ±.010	METRIC	NON-POLARIZED, W/RATINGS	
	3 Place Decimal ±.005	1 Place Dec. ±.25mm	1.125" x .550"	
	Angles ..... ±1°	2 Place Dec. ±.13mm	Division: SWITCH	
Made for: CW IND.		Dwg. No.		
Drawn by: DGW 4-10-2008		GRS-2012-2051		
Checked by: G.Guld 4-16-08				
Approval: G.Guld -4-16-08				

MASTER