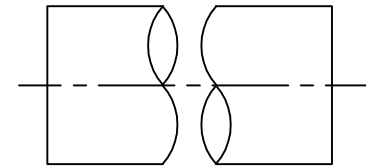
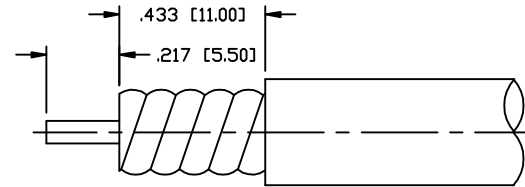
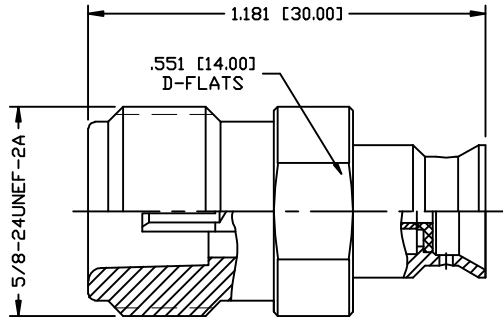


PART NO.

**RFN-1027-HPL**

REV	DESCRIPTION	DWN	DATE	APPROVED
-	ENGINEERING RELEASE	CZS	03/24/15	JDMc

SPECIFICATIONS:

IMPEDANCE: 50 Ohms

FREQUENCY RANGE: 0-6GHz

VSWR TYPICAL: &lt;1.1:1 TO 3GHz

PIM 3RD ORDER: &lt;-155 dBc

DIELECTRIC WITHSTANDING VOLTAGE: 1500V/AC

INSULATION RESISTANCE: 5000 MOHMS

TEMPERATURE RANGE: -40°C TO 165°C

RoHS COMPLIANT

CUSTOMER  
OUTLINE DRAWINGALL DIMENSIONS  
ARE REFERENCE ONLYUNLESS OTHERWISE SPECIFIED:  
DIMENSIONS ARE IN INCHES  
AND [MILLIMETERS]

DRAWN	JDM	8/28/15
CHECKED		
ORJ DRAWN	C. ZUNIGA	03/24/15

PROPRIETARY AND CONFIDENTIAL  
THIS DRAWING CONTAINS  
INFORMATION PROPRIETARY TO  
RF INDUSTRIES. ANY  
UNAUTHORIZED USE OF THIS  
DRAWING IS EXPRESSLY  
PROHIBITED WITHOUT WRITTEN  
PERMISSION FROM RF  
INDUSTRIES. ANY VIOLATION IS  
PUNISHABLE UNDER U.S.  
COPYRIGHT LAWS.

**RFconnectors**  
DIVISION OF RF INDUSTRIES, LTD. 7610 MIRAMAR RD.  
SAN DIEGO, CA 92126  
(858) 549-6340  
(858) 549-6345 FAX

**N FEMALE**  
**SOLDER/SOLDER FOR SPP-250-LLPL**

SIZE	CABLE GROUP	DWG NO.	REV
A	N/A	<b>RFN-1027-HPL</b>	—
SCALE:	ENGINEERING ID:		
NTS	1787		SHEET 1 OF 1

5	TUBING	1	HEAT SHRINK	----
4	INSULATOR	1	PTFE	----
3	CONTACT	1	Be.Cu.	SILVER
2	INSULATOR	1	PTFE	----
1	BODY	1	BRASS	WHIETE BRONZE
#	DESCRIPTION	QTY	MATERIAL	FINISH