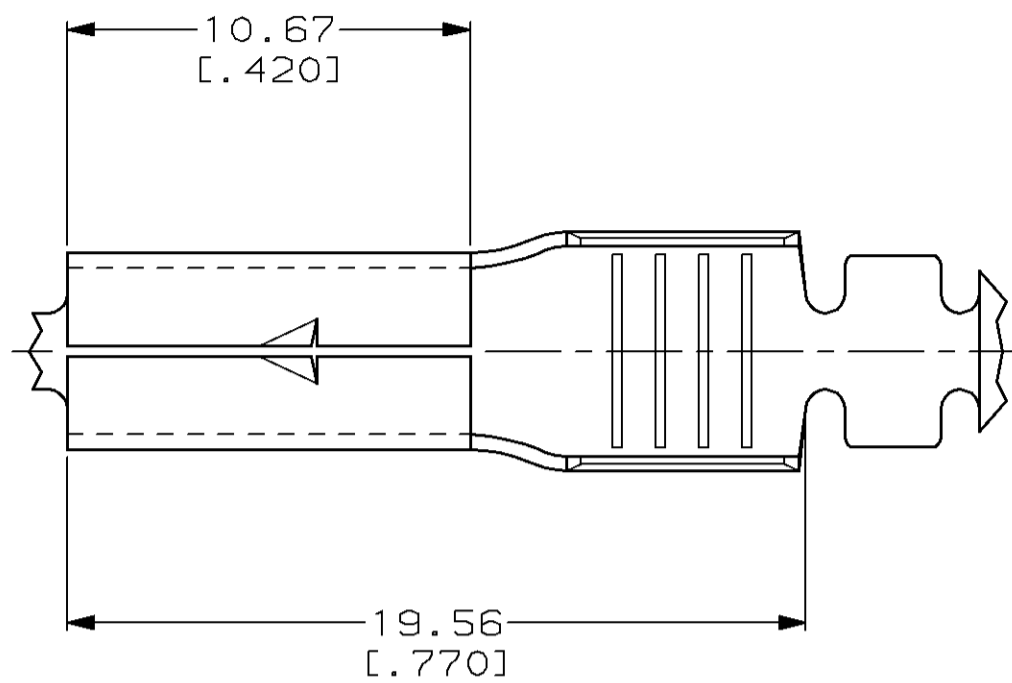
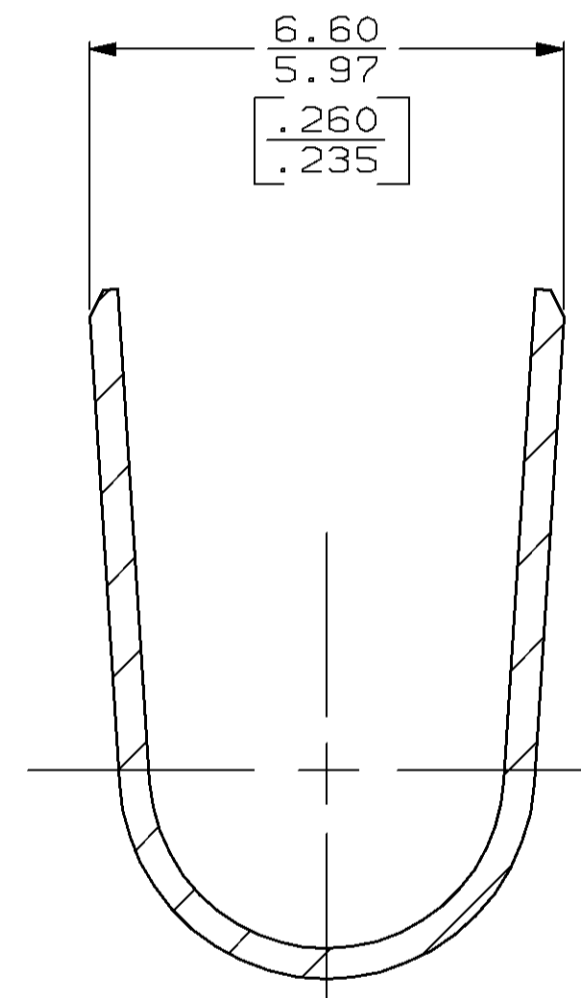
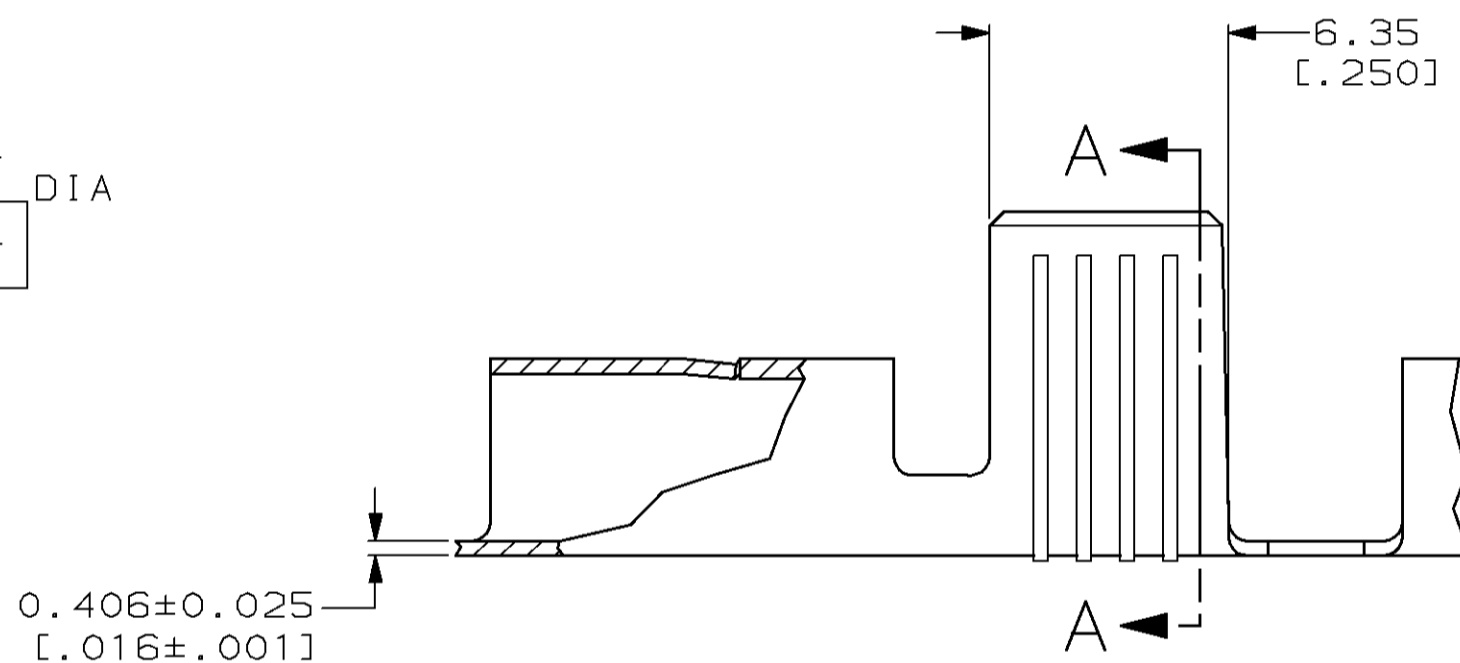
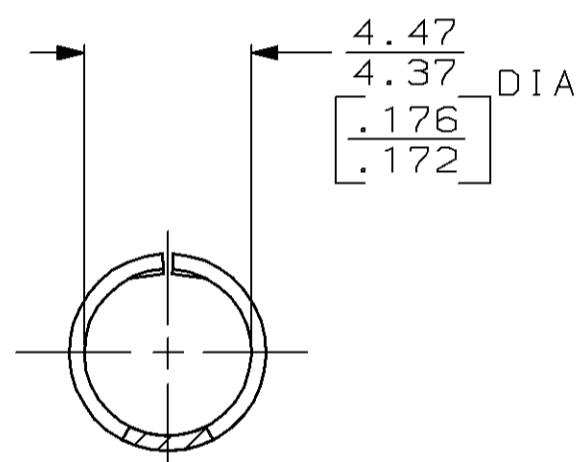


THIS DRAWING IS UNPUBLISHED. RELEASED FOR PUBLICATION
 BY AMP INCORPORATED. ALL RIGHTS RESERVED.

LOC		DIST		REVISIONS			
P	LTR	DESCRIPTION	DATE	DWN	APVD		
AF	50	B		ADDED -2 PER OG1A-0244-98	7/23/98	JR	GY



- 1 CONTINUOUS STRIP ON REEL.
- 2 WIRE SIZE IS FOR TWO #8 AWG.



SECTION A-A
SCALE 10:1

0.002032 [.000080] MIN TIN	1217074-2
-	1217074-1
FINISH	PART NUMBER

THIS DRAWING IS A CONTROLLED DOCUMENT.		DWN	JR RUTH	3/9/98
DIMENSIONS: mm [INCHES]		CHK	P FORTNEY	3/9/98
TOLERANCES UNLESS OTHERWISE SPECIFIED:		APVD	GARY YETTER	3/9/98
0 PLC ±-		PRODUCT SPEC	-	
1 PLC ±-		APPLICATION SPEC	-	
2 PLC ±0.25 [.010]		WEIGHT	-	
3 PLC ±-		CUSTOMER DRAWING	SCALE 5:1	SHEET 1 OF 1
4 PLC ±-				REV B
ANGLES ±-				
FINISH -				
MATERIAL	4M BRASS	AMP Incorporated Harrisburg, PA 17105-3608		
RECEPTACLE, SHUR PLUG, 4.57 [.180] DIA		SIZE	A2	CAGE CODE
		DRAWING NO	C=1217074	RESTRICTED TO