



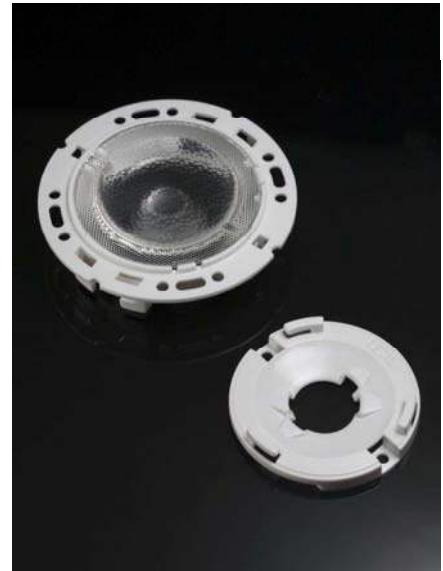
PRODUCT DATASHEET

Ronda series

last update 21/7/2016

DETAILS

Product Number	FCN15302_RONDA-WW
Family	Ronda
Type	Assembly
Color	white
Diameter	69,9 mm
Height	19,8 mm
Style	round
Optic Material	PMMA
Holder Material	PC
Fastening	socket, screw
Status	production ready
ROHS Comliant	Yes
Date Updated	21/07/2016



OPTICAL PROPERTIES

LED	Viewing	Light	Effi-		Connector
	Angle	Beam	ciency	cd/lm	
V10	sim: 60	Very Wide	sim: 88 %	sim: 0.000	LEDiL: LEDiL
CXA/B 15xx	sim: 62	Very Wide	sim: 89 %	sim: 0.000	LEDiL: LEDiL
CXA/B 1816 & CXA/B 1820 & CXA 1850	sim: 63	Very Wide	sim: 89 %	sim: 0.000	LEDiL: LEDiL
CXA/B 1830	sim: 62	Very Wide	sim: 87 %	sim: 0.000	LEDiL: LEDiL
Soleriq S13	sim: 63	Very Wide	sim: 84 %	sim: 0.000	LEDiL: LEDiL

H G F E D C B A

4

4

3

3

2

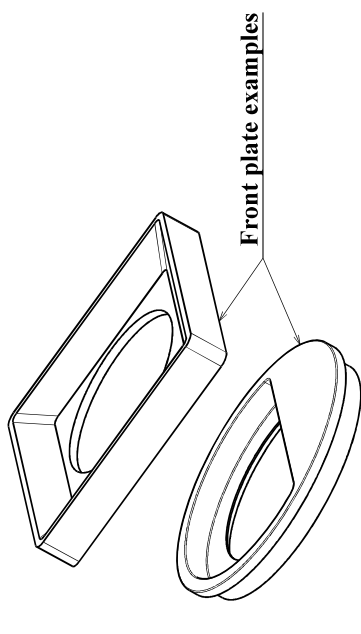
2

1

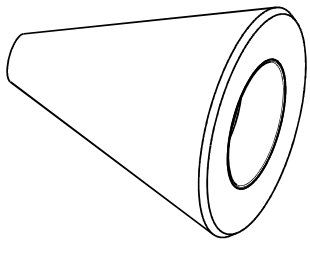
1



LES size up to ~14mm, see compatibility www.ledil.com



Front plate examples

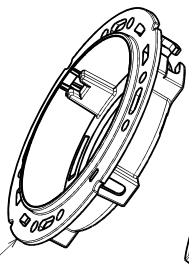


Examples

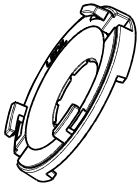
D=49.9

D=69.9mm

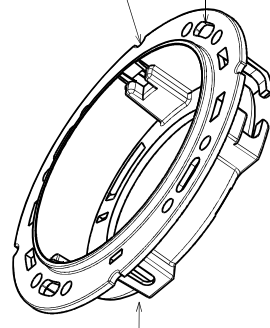
Optic



Ledil-clamp / TE / Bender-wirth / other twist and lock socket types (holder A)



BJB and Stucchi 50mm (holder B)



Horizontal fix: M3 Nut + bolt

Rotation fix

Vertical fix: M3 Screw / Twist and lock / Snap

Tolerances if not otherwise shown
According to DIN ISO 2768-1
for dimensions M, otherwise class C
According to DIN ISO 2768-2
Form and position: class L



LEDIL Oy
Salorankatu 10
FIN 24240 SALO
Finland

THIRD ANGLE PROJECTION:



This drawing is the property of LEDIL Oy. It may not be reproduced, copied or communicated without a written agreement with LEDIL Oy.

DRAWING TITLE

RONDA-family

SIZE PART NUMBER

A3

SCALE 1:1 WEIGHT

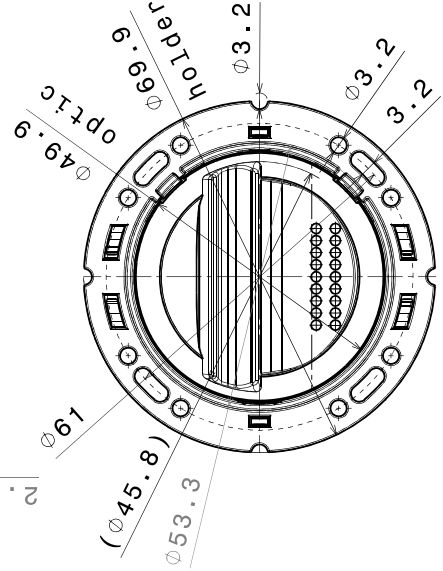
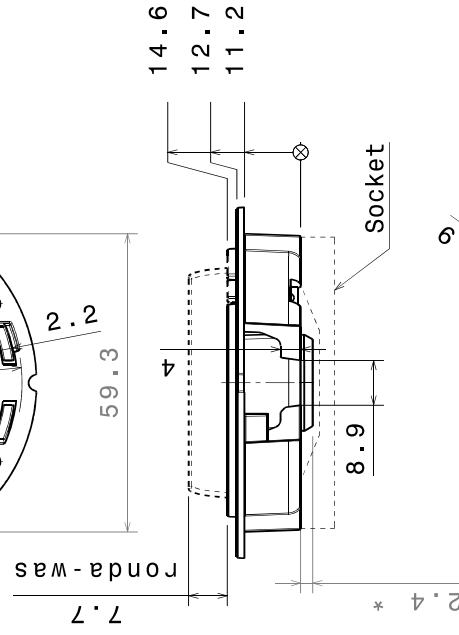
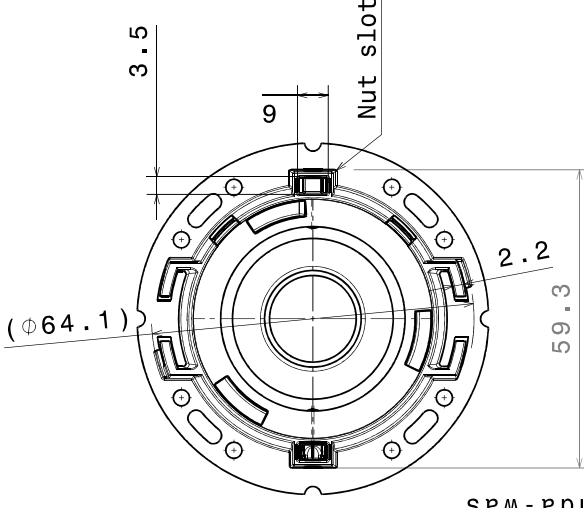
-

SHEET 1/3

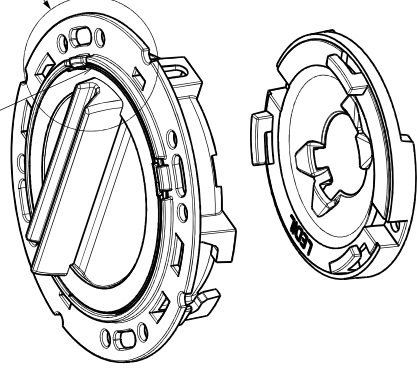
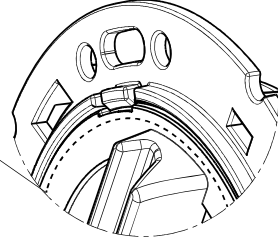
See more details on page 2 and 3

H G F E D C B A

H G F E D C B A



Front panel location suggestion when seamless look needed



* Ensure from 3d according specific optic version

Tolerances if not otherwise shown
 According to DIN ISO 2768-1
 up to 30mm class M, otherwise class C
 According to DIN ISO 2768-2
 Form and position: class L

LEDIL
 Ledil Oy
 Salorankatu 10
 FIN-24240 SALO
 Finland

THIRD ANGLE PROJECTION:



This drawing is the property
 of LEDIL Oy. It may not be
 reproduced, copied or
 communicated without a written
 agreement with LEDIL Oy.

DRAWING TITLE

RONDA-family

SIZE PART NUMBER

A3

SCALE 1:1 WEIGHT

SHEET 2/3

A

4

3

2

1

H

G

F

E

D

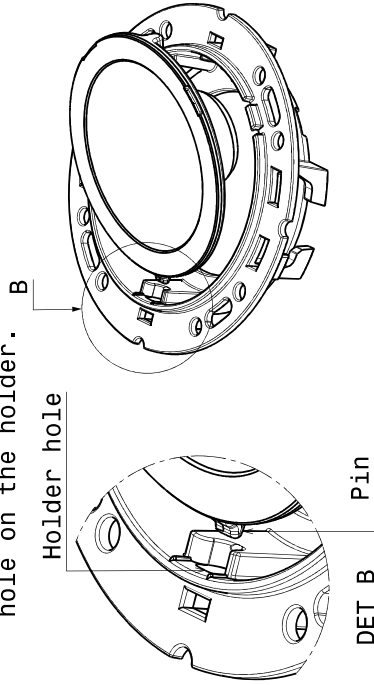
C

B

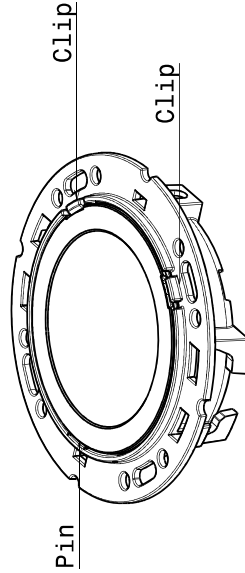
A

OPTIC/HOLDER ASSEMBLY

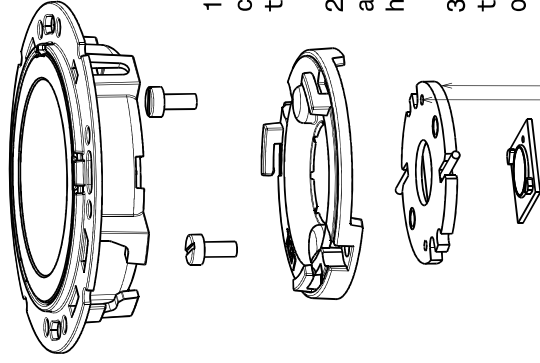
- Place pin on the side of the lens into relative hole on the holder.



- Press the lens under clips on the holder, ensuring both clips are fixed.



TYPICAL CONNECTOR ASSEMBLY (including solderless BENDER WIRTH as example)



- Ensure correct relation of clamp and connector before screwing. Recommended torque 0.6Nm.
- Assemble LED, BENDER&WIRTH connector and C13658_CLAMP-VERO13-18 clamp on heatsink with M3 screw.
- Attach optic by aligning the holes in the holder with hooks and turning the optic holder clockwise until it locks.

Bender&Wirth model 4xx Typ L1

Align clamp positioning pin with holes in the connector.

Tolerances if not otherwise shown
According to DIN ISO 2768-1
M: maximum class, L: minimum class
According to DIN ISO 2768-2
Form and position: class L

LEDIL

Ledil Oy
Salorankatu 10
FIN 24240 SALO
Finland



THIRD ANGLE PROJECTION:

This drawing is the property of LEDIL Oy. It may not be reproduced, copied or communicated without a written agreement with LEDIL Oy.

DRAWING TITLE

RONDA-family

SIZE PART NUMBER

A3

SCALE 1:1 WEIGHT -

SHEET 3/3

H

G

F

E

D

C

B

A

4

3

2

1

4

3

2

1

A

NOTE: The typical divergence will be changed by different color, chip size and chip position tolerance. The typical total divergence is the full angle measured where the luminous intensity is half of the peak value.

GENERAL INFORMATION

- Product series especially designed & optimized for series of LEDs.
- Special care taken to make light distribution as uniform as possible.

Note! Due to use of high power COB's with this product, special attention to proper thermal design is highly recommended. LEDiL has no liability for direct, indirect or consecutive damages arising from the LEDiL products being used outside of the recommended temperature range.