

3M™ LINK CONNECTOR, 2.54mm[.100"] BOARDMOUNT, STRAIGHT AND RIGHT ANGLE, 382 SERIES

Notes:
 1) Material:
 Body: PBT, UL94V-0
 Contacts: Copper Alloy

2) Plating:
 2.54 μm Nickel underplate
 0.2 μm min. Gold with Lubricant in wiping area
 Flash Gold on solder tails

3) Marking:
 3M Logo, Part Number, Position Identification'
 Insulator Material

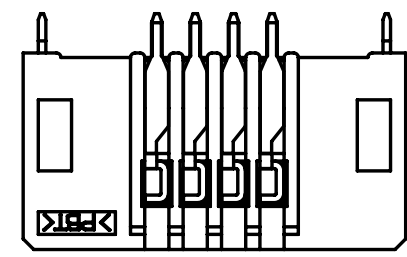
4) Mating Compatibility: 381 SERIES

5) Regulatory:
 UL File No.: E68080

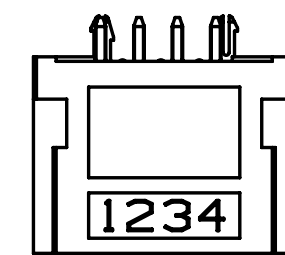
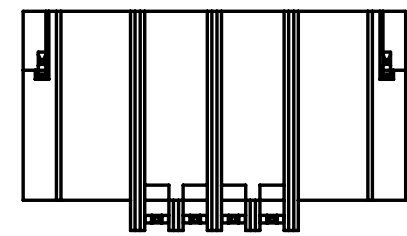
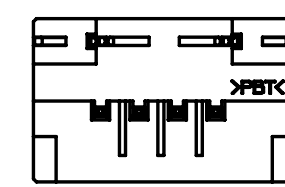
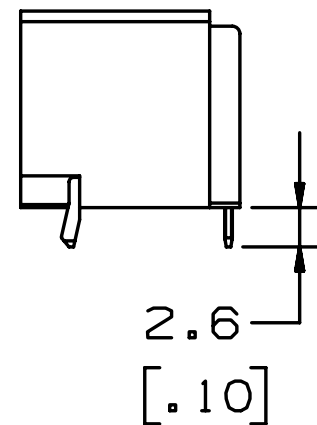
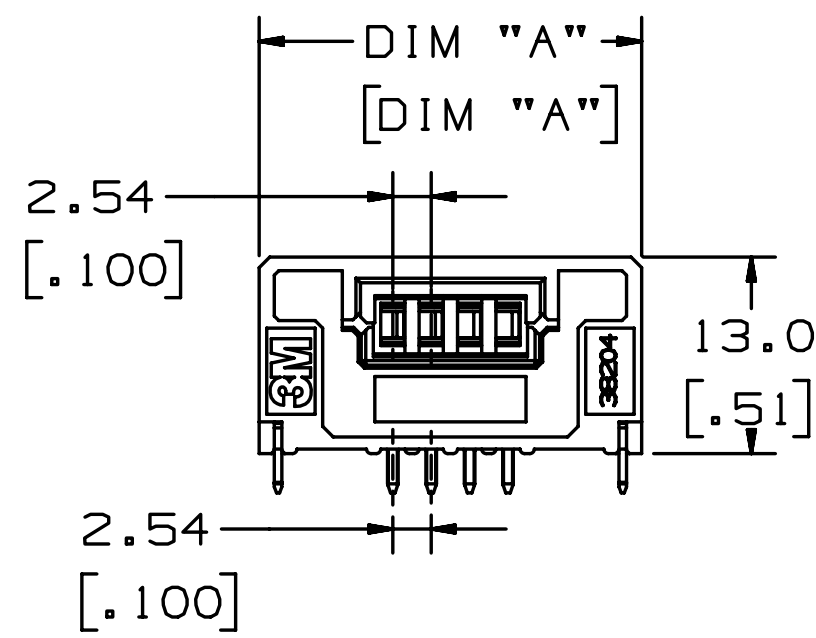
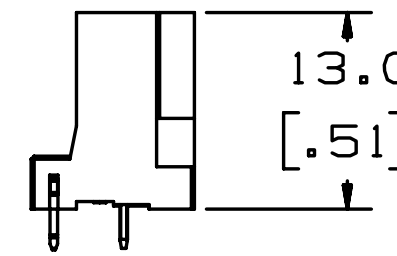
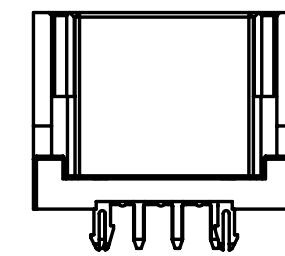
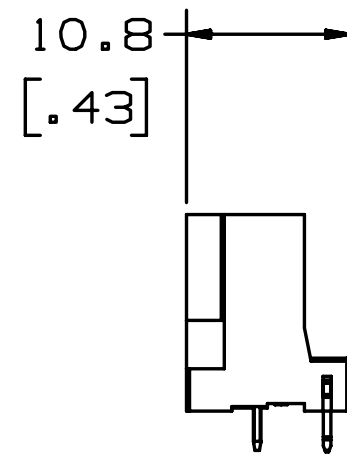
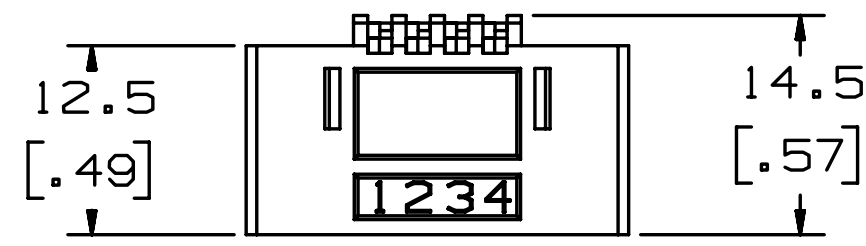
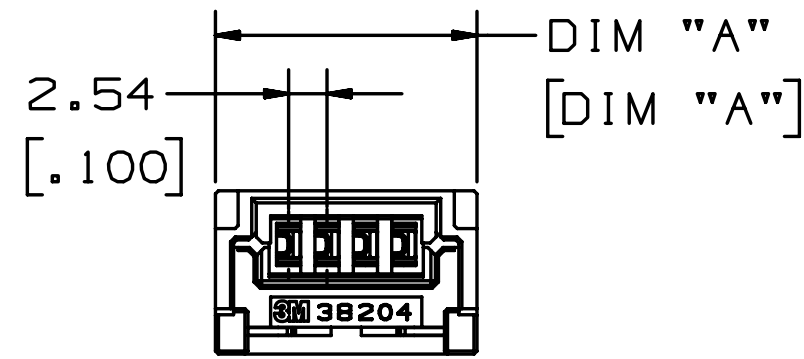
RoHS Compliant:
 See the Regulatory Information Appendix (RIA) in the "RoHS Compliance" section of www.3MConnector.com for compliance information. (RIA E1 & C1 apply).

6) Reference Related Documents:
 Product Specification:
 3M Doc. ID# 78-5102-0091-4
 Tooling and Installation Instructions:
 3M Doc. ID# 78-9101-5361-4

RIGHT ANGLE



STRAIGHT



Performance:	
Current Rating:	5.0A
Voltage Rating:	160V
Insulation Resistance:	> 1 x 10 ⁸ Ohms at 500 VDC
Withstanding Voltage:	1000VACrms at sea level
Operating Temperature:	-20°C to +70°C
Processing Temperature:	260°C max. for wave solder reflow 390°C max. for soldering iron
Lead-Free Solderable:	Yes
Moisture Sensitivity Level:	NA-Wave Solder Only
UL Temperature Rating	+65°C

D	36079	SEP 07, 2011	MWL	SAN
		CONVERT TO NEW ENG. FORMAT, ADD 2 POSITION PART		

DESIGN REFERENCE	NEXT ASSEMBLY	REV	ECO	ISSUE DATE AND DESCRIPTION	DRFT	CHKD
DIVISION Interconnect Solutions		DIVISION CODE ISD		DATE AUG 30, 2011		
DO NOT SCALE DRAWING		SCALE 4/1		TOLERANCES EXCEPT AS NOTED		
THIRD ANGLE PROJECTION		INCHES .0 ± .00 ± .000 ± .0000 ±		TITLE 2.54mm[.100"] LINK BOARDMOUNT, ST AND RA 382 SERIES		
INTERPRET PER ASME Y14.5 - 1994		MILLIMETERS 0 ± .0 ±.3 .00 ±.13 .000 ±		CAGE NUMBER C78-5100-2099-9		
MAX SURFACE ROUGHNESS 125 <input type="checkbox"/> ALL SURFACES <input checked="" type="checkbox"/> MARKED ONLY		ANGLES ±1°		DRAWING NO. 78-5100-2099-9		
		MODEL		DET. <input type="checkbox"/> LISTS <input type="checkbox"/> YES <input checked="" type="checkbox"/> NO SHT 1 OF 3		

78-5100-2099-9 DRAWING NUMBER

D REVISION

B

A

3M™ LINK CONNECTOR, 2.54mm[.100"] BOARDMOUNT, STRAIGHT AND RIGHT ANGLE, 382 SERIES

PART ORDERING INFORMATION

3820X-X2S3-X0X PL (RIA E1 & C1 APPLY)

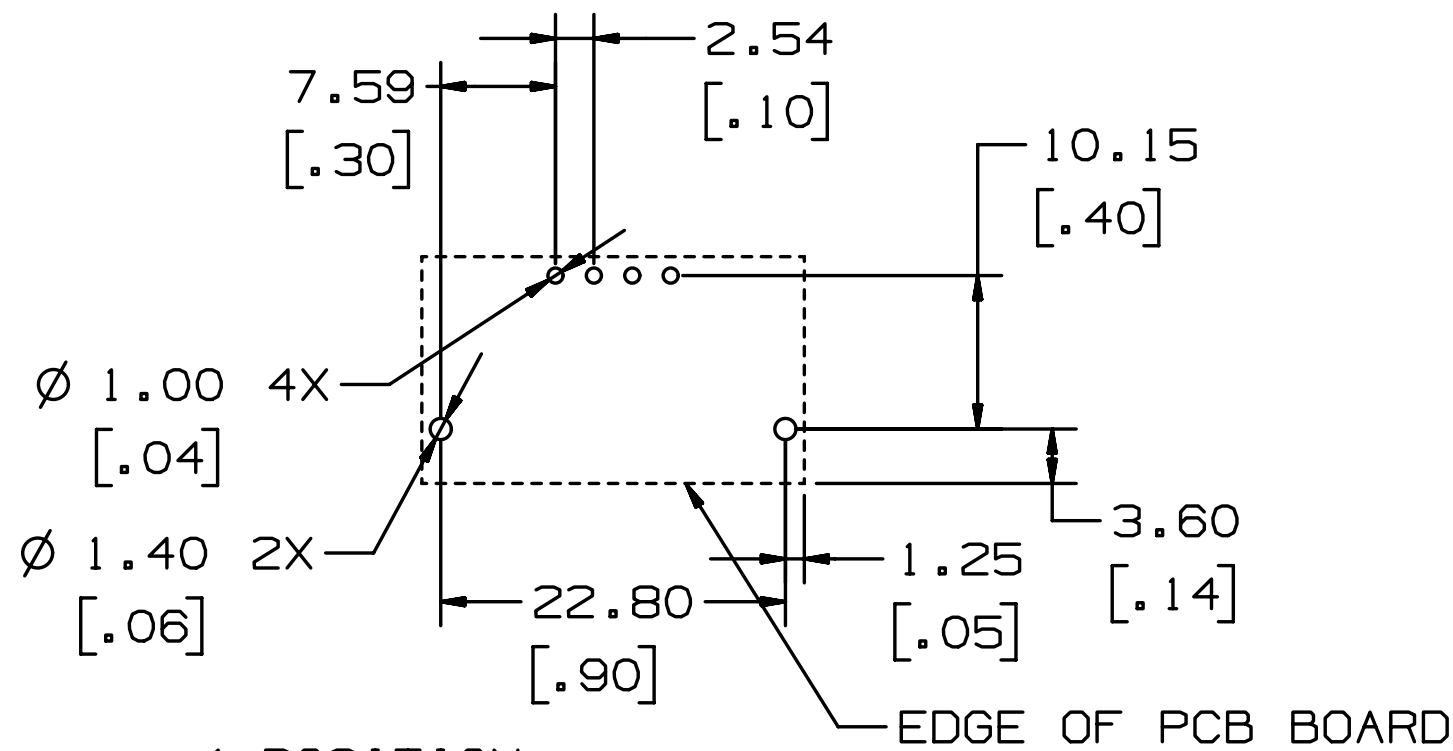
NUMBER OF POSITIONS:
2 = 2 POSITION
4 = 4 POSITION

MOUNTING STYLE:
5 = RIGHT ANGLE
6 = STRAIGHT

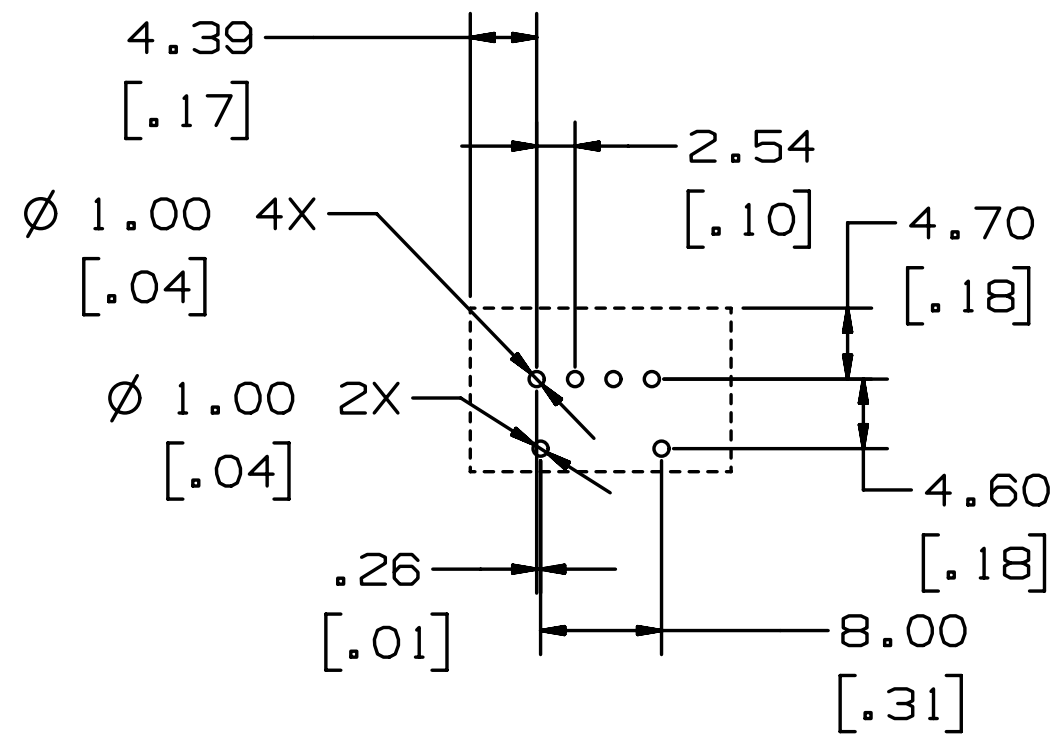
COLOR
0 = BLACK
M = BLUE

MARKING
0 = 3M
M = CC-Link/LT

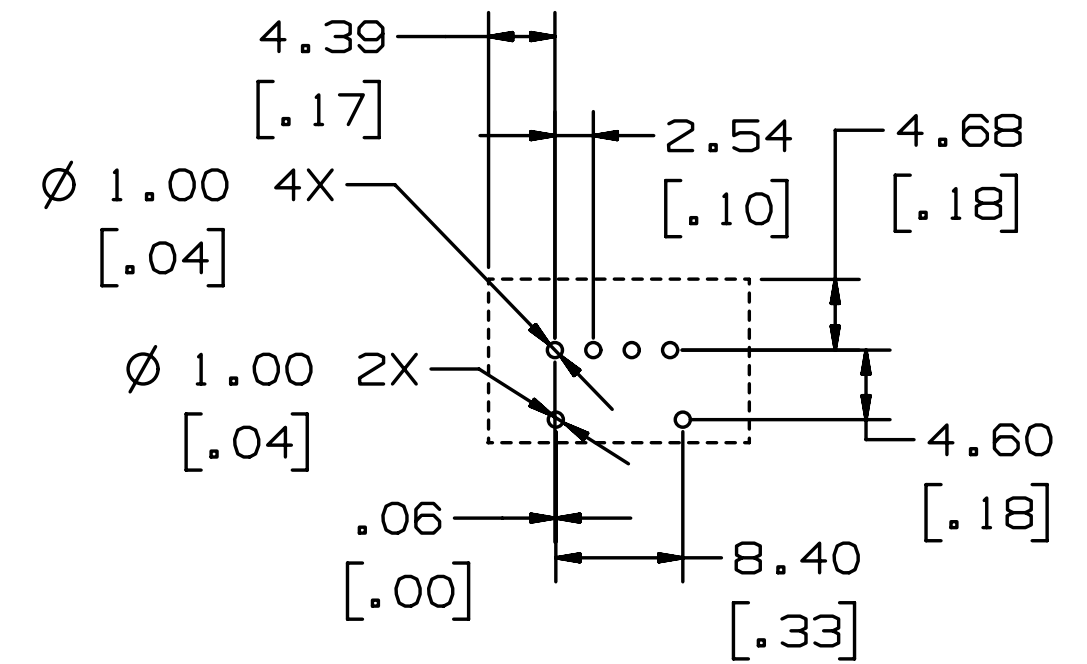
AVAILABLE PRODUCTS				
PART NUMBER	DIM "A"	STYLE	COLOR	MARKING
38204-52S3-000 PL	25.3	RIGHT ANGLE	BLACK	3M
38204-52S3-MOM PL	25.3	RIGHT ANGLE	BLUE	CC-Link/LT
38204-62S3-000 PL	17.3	STRAIGHT	BLACK	3M
38204-62S3-MOM PL	17.3	STRAIGHT	BLUE	CC-Link/LT
38202-52S3-000 PL	13.9	RIGHT ANGLE	BLACK	3M
38202-62S3-000 PL	13.9	STRAIGHT	BLACK	3M



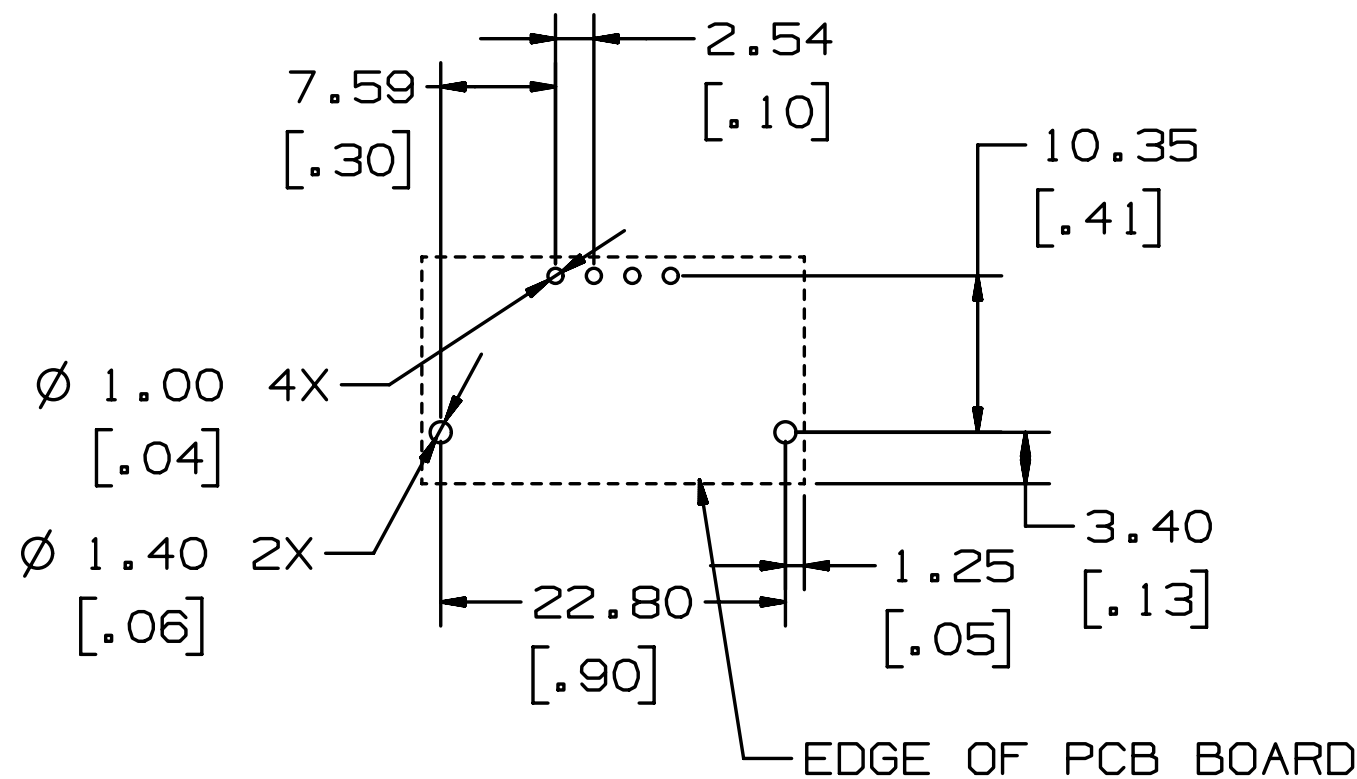
4-POSITION
RIGHT ANGLE BOARD FOOTPRINT
FOR 1.0mm THICK BOARD



4-POSITION
STRAIGHT BOARD FOOTPRINT
FOR 1.6mm THICK BOARD



4-POSITION
STRAIGHT BOARD FOOTPRINT
FOR 1.0mm THICK BOARD



4-POSITION
RIGHT ANGLE BOARD FOOTPRINT
FOR 1.6mm THICK BOARD

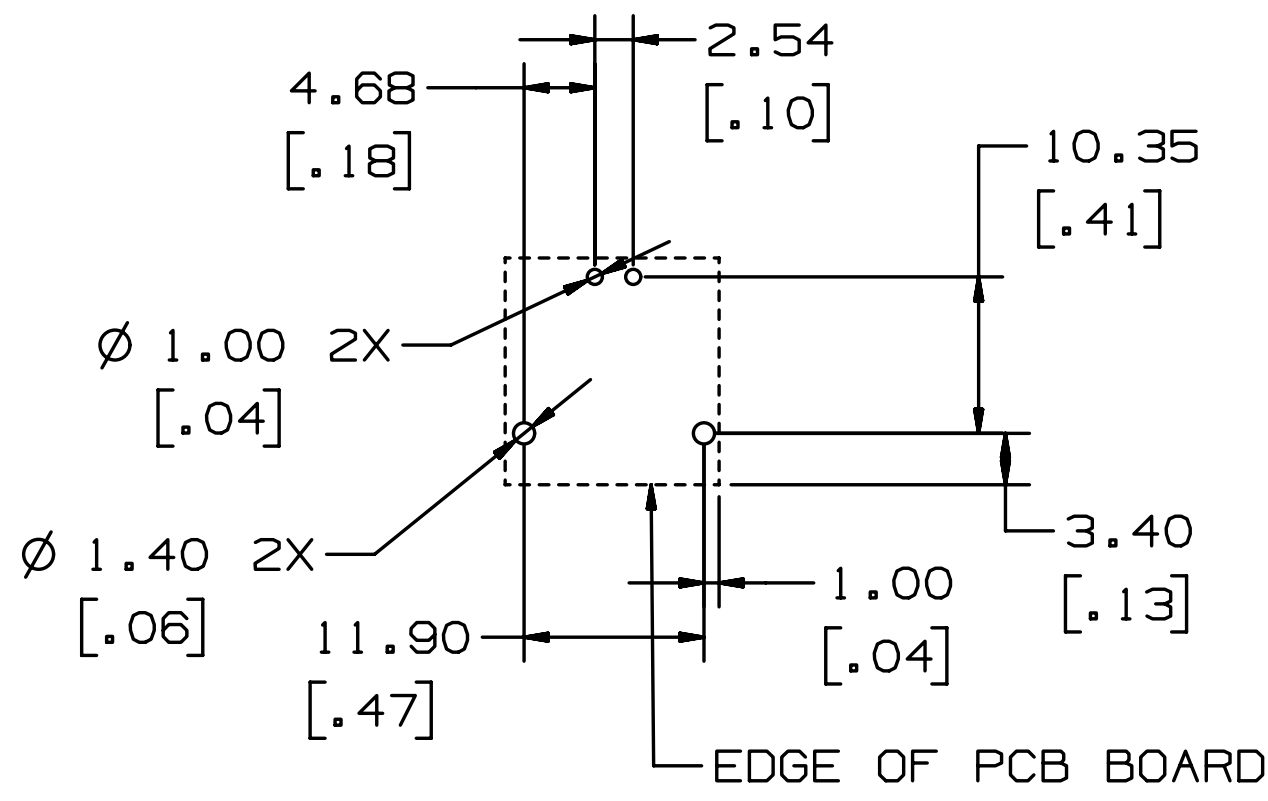
DESIGN REFERENCE	NEXT ASSEMBLY	REV	ECO	ISSUE DATE AND DESCRIPTION	DRFT	CHKD
		D	36079	SEP 07, 2011 CONVERT TO NEW ENG. FORMAT, ADD 2 POSITION PART	MWL	SAN
DISTRIBUTION CODES		DRFT	MWL	DATE AUG 30, 2011	DATE	
		CHKD		DATE	DATE	
DIVISION Interconnect Solutions	DIVISION CODE ISD					
DO NOT SCALE DRAWING	SCALE 4 1	TOLERANCES EXCEPT AS NOTED INCHES .0 ± .00 ± .000 ± .0000 ± MILLIMETERS 0 ± .0 ±.3 .00 ±.13 .000 ± ANGLES ±1°				
THIRD ANGLE PROJECTION	INTERPRET PER ASME Y14.5 - 1994	TITLE 2.54mm[.100"] LINK BOARDMOUNT, ST AND RA 382 SERIES				
MAX SURFACE ROUGHNESS 125 ✓ ALL SURFACES MARKED ONLY		CAGE NUMBER	SIZE	DRAWING NO.	REV.	
		C		78-5100-2099-9	D	
		MODEL		DET. LISTS	YES	NO
					SHT 2 OF 3	

78-5100-2099-9
DRAWING NUMBER

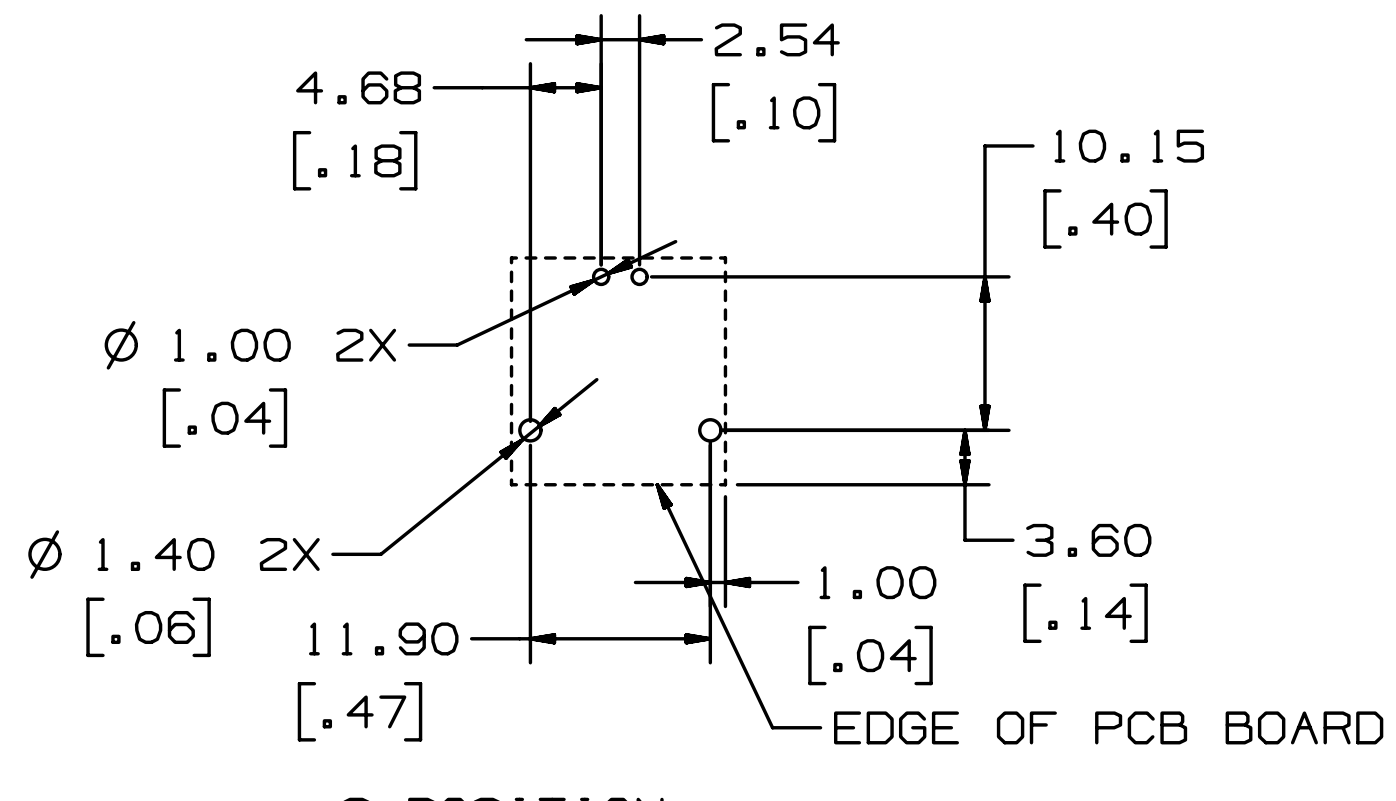
B

A

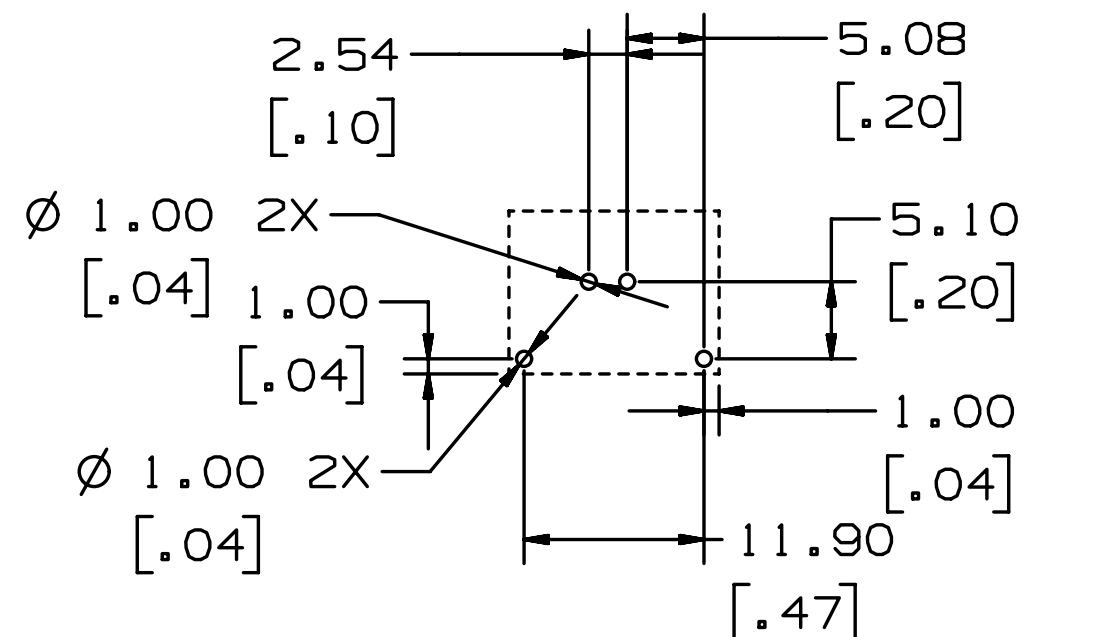
3M™ LINK CONNECTOR, 2.54mm[.100"] BOARDMOUNT, STRAIGHT AND RIGHT ANGLE, 382 SERIES



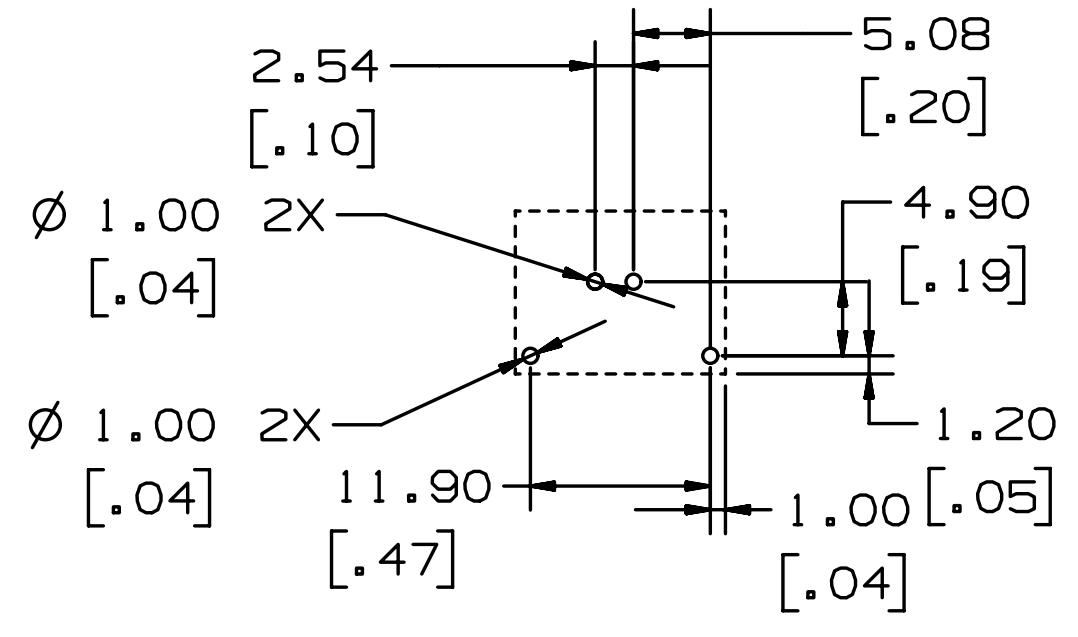
2-POSITION
RIGHT ANGLE BOARD FOOTPRINT
FOR 1.6mm THICK BOARD



2-POSITION
RIGHT ANGLE BOARD FOOTPRINT
FOR 1.0mm THICK BOARD



2-POSITION
STRAIGHT BOARD FOOTPRINT
FOR 1.6mm THICK BOARD



2-POSITION
STRAIGHT BOARD FOOTPRINT
FOR 1.0mm THICK BOARD

DESIGN REFERENCE		NEXT ASSEMBLY		REV	ECO	ISSUE DATE AND DESCRIPTION		DRFT	CHKD
DISTRIBUTION CODES				DRFT	MWL	DATE	AUG 30, 2011	MFG	DATE
DIVISION		DIVISION CODE		CHKD		DATE	APPVL		DATE
Interconnect Solutions		ISD		3M		© 3M COPYRIGHT 2011 This document and the information it contains are 3M property and may not be reproduced or further distributed without 3M permission, or used or disclosed other than for 3M authorized purposes. All rights reserved.			
DO NOT SCALE DRAWING	SCALE 4/1	TOLERANCES EXCEPT AS NOTED		TITLE					
THIRD ANGLE PROJECTION		INCHES		2.54mm[.100"] LINK BOARDMOUNT, ST AND RA 382 SERIES					
INTERPRET PER ASME Y14.5 - 1994		MILLIMETERS		CAGE NUMBER		DRAWING NO.		REV.	
MAX SURFACE ROUGHNESS 125		.0 ± .3 .00 ± .13 .000 ±		C		78-5100-2099-9		D	
ALL SURFACES MARKED ONLY		ANGLES ± 1°		MODEL		DET.		SHT 3 OF 3	

78-5100-2099-9
DRAWING NUMBER

A