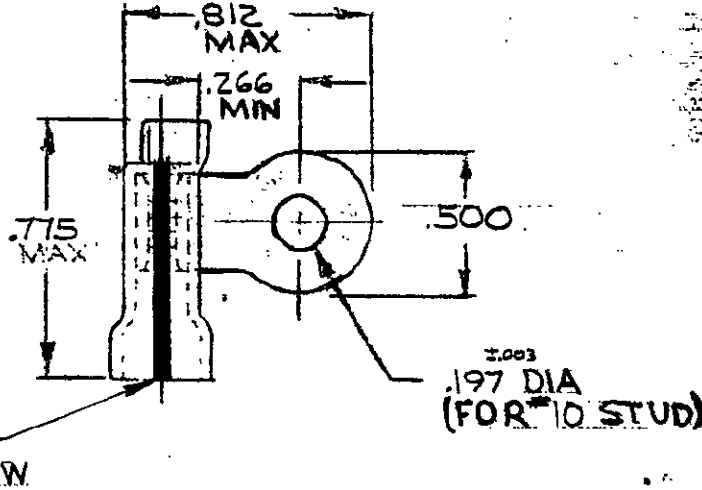


DRAWING MADE IN AMERICAN PROJECTION

© 1957 BY AMP INCORPORATED. ALL RIGHTS RESERVED. AMP PRODUCTS COVERED BY PATENTS AND/OR PATENTS PENDING.

REVISIONS

LTR	DESCRIPTION	DATE	APPROVED
A	REDRAWN & REVISED	7-31-68	FWW
B	REV/0120-0185-97	11-13-97	ME/SB



TONGUE MATERIAL THICKNESS = .040  
FOR .150 TO .230 WIRE INSULATION DIA.

1	WIRE TERMINAL	322315	SLEEVE: PVC COLOR: NATURAL
			BODY: COPPER (GO-C-576) TIN PL (MIL-T-10727)

UNLESS OTHERWISE SPECIFIED DIMENSIONS ARE IN INCHES  
TOLERANCES ON:  
DECIMALS ±.008  
ANGLES ±5°

CONTRACT NO. #

DR. *[Signature]* 7-23-68

CHK *[Signature]* 7-31-68

APPD *[Signature]* 8-30-68

REL



AMP INCORPORATED  
HARRISBURG, PENNSYLVANIA

NAME WIRE TERMINAL  
PLASTI-GRIP RING TONGUE FLAG  
WIRE SIZE: 12-10

MATERIAL

SEE TABLE

DSGN APPD

SIZE

CODE IDENT NO.

NUMBER

OTHER APPD

A

00779

322315

SCALE 2:1