

The revision list can be viewed directly by clicking the title page.

The revision list summarizes the locations of revisions and additions. Details should always be checked by referring to the relevant text.

32

# SH7705 Group

## Hardware Manual

Renesas 32-Bit RISC Microcomputer  
SuperH™ RISC engine Family/SH7700 Series

User's Manual



Renesas 32-Bit RISC Microcomputer  
SuperH™ RISC engine Family/SH7700 Series

SH7705 Group

Hardware Manual



REJ09B0082-02000

## Cautions

Keep safety first in your circuit designs!

1. Renesas Technology Corp. puts the maximum effort into making semiconductor products better and more reliable, but there is always the possibility that trouble may occur with them. Trouble with semiconductors may lead to personal injury, fire or property damage. Remember to give due consideration to safety when making your circuit designs, with appropriate measures such as (i) placement of substitutive, auxiliary circuits, (ii) use of nonflammable material or (iii) prevention against any malfunction or mishap.

Notes regarding these materials

1. These materials are intended as a reference to assist our customers in the selection of the Renesas Technology Corp. product best suited to the customer's application; they do not convey any license under any intellectual property rights, or any other rights, belonging to Renesas Technology Corp. or a third party.
2. Renesas Technology Corp. assumes no responsibility for any damage, or infringement of any third-party's rights, originating in the use of any product data, diagrams, charts, programs, algorithms, or circuit application examples contained in these materials.
3. All information contained in these materials, including product data, diagrams, charts, programs and algorithms represents information on products at the time of publication of these materials, and are subject to change by Renesas Technology Corp. without notice due to product improvements or other reasons. It is therefore recommended that customers contact Renesas Technology Corp. or an authorized Renesas Technology Corp. product distributor for the latest product information before purchasing a product listed herein. The information described here may contain technical inaccuracies or typographical errors. Renesas Technology Corp. assumes no responsibility for any damage, liability, or other loss rising from these inaccuracies or errors. Please also pay attention to information published by Renesas Technology Corp. by various means, including the Renesas Technology Corp. Semiconductor home page (<http://www.renesas.com>).
4. When using any or all of the information contained in these materials, including product data, diagrams, charts, programs, and algorithms, please be sure to evaluate all information as a total system before making a final decision on the applicability of the information and products. Renesas Technology Corp. assumes no responsibility for any damage, liability or other loss resulting from the information contained herein.
5. Renesas Technology Corp. semiconductors are not designed or manufactured for use in a device or system that is used under circumstances in which human life is potentially at stake. Please contact Renesas Technology Corp. or an authorized Renesas Technology Corp. product distributor when considering the use of a product contained herein for any specific purposes, such as apparatus or systems for transportation, vehicular, medical, aerospace, nuclear, or undersea repeater use.
6. The prior written approval of Renesas Technology Corp. is necessary to reprint or reproduce in whole or in part these materials.
7. If these products or technologies are subject to the Japanese export control restrictions, they must be exported under a license from the Japanese government and cannot be imported into a country other than the approved destination. Any diversion or reexport contrary to the export control laws and regulations of Japan and/or the country of destination is prohibited.
8. Please contact Renesas Technology Corp. for further details on these materials or the products contained therein.

## General Precautions on Handling of Product

### 1. Treatment of NC Pins

Note: Do not connect anything to the NC pins.

The NC (not connected) pins are either not connected to any of the internal circuitry or are used as test pins or to reduce noise. If something is connected to the NC pins, the operation of the LSI is not guaranteed.

### 2. Treatment of Unused Input Pins

Note: Fix all unused input pins to high or low level.

Generally, the input pins of CMOS products are high-impedance input pins. If unused pins are in their open states, intermediate levels are induced by noise in the vicinity, a pass-through current flows internally, and a malfunction may occur.

### 3. Processing before Initialization

Note: When power is first supplied, the product's state is undefined.

The states of internal circuits are undefined until full power is supplied throughout the chip and a low level is input on the reset pin. During the period where the states are undefined, the register settings and the output state of each pin are also undefined. Design your system so that it does not malfunction because of processing while it is in this undefined state. For those products which have a reset function, reset the LSI immediately after the power supply has been turned on.

### 4. Prohibition of Access to Undefined or Reserved Addresses

Note: Access to undefined or reserved addresses is prohibited.

The undefined or reserved addresses may be used to expand functions, or test registers may have been allocated to these addresses. Do not access these registers; the system's operation is not guaranteed if they are accessed.

# Configuration of This Manual

This manual comprises the following items:

1. General Precautions on Handling of Product
2. Configuration of This Manual
3. Preface
4. Contents
5. Overview
6. Description of Functional Modules

- CPU and System-Control Modules
- On-Chip Peripheral Modules

The configuration of the functional description of each module differs according to the module. However, the generic style includes the following items:

- i) Feature
- ii) Input/Output Pin
- iii) Register Description
- iv) Operation
- v) Usage Note

When designing an application system that includes this LSI, take notes into account. Each section includes notes in relation to the descriptions given, and usage notes are given, as required, as the final part of each section.

7. List of Registers
8. Electrical Characteristics
9. Appendix
10. Index

# Preface

The SH7705 single-chip RISC (Reduced Instruction Set Computer) microprocessor includes a Renesas Technology original RISC CPU as its core, and the peripheral functions required to configure a system.

**Target users:** This manual was written for users who will be using the SH7705 Micro-Computer Unit (MCU) in the design of application systems. Users of this manual are expected to understand the fundamentals of electrical circuits, logical circuits, and microcomputers.

**Objective:** This manual was written to explain the hardware functions and electrical characteristics of the SH7705 MCU to the above users.  
Refer to the SH-3/SH-3E/SH3-DSP Programming Manual for a detailed description of the instruction set.

Notes on reading this manual:

- Product names  
The following products are covered in this manual.

## Product Classifications and Abbreviations

| Basic Classification | Product Code |
|----------------------|--------------|
| SH7705               | HD6417705    |

- In order to understand the overall functions of the chip  
Read the manual according to the contents. This manual can be roughly categorized into parts on the CPU, system control functions, peripheral functions and electrical characteristics.
- In order to understand the details of the CPU's functions  
Read the SH-3/SH-3E/SH3-DSP Programming Manual.

- Rules: Register name: The following notation is used for cases when the same or a similar function, e.g. serial communication, is implemented on more than one channel:  
XXX\_N (XXX is the register name and N is the channel number)
- Bit order: The MSB (most significant bit) is on the left and the LSB (least significant bit) is on the right.
- Number notation: Binary is B'xxxx, hexadecimal is H'xxxx, decimal is xxxx
- Signal notation: An overbar is added to a low-active signal:  $\overline{\text{xxxx}}$

Related Manuals: The latest versions of all related manuals are available from our web site. Please ensure you have the latest versions of all documents you require.  
<http://www.renesas.com/eng/>

SH7705 manuals:

| Manual Title                          | ADE No.     |
|---------------------------------------|-------------|
| SH7705 Hardware Manual                | This manual |
| SH-3/SH-3E/SH3-DSP Programming Manual | ADE-602-096 |

Users manuals for development tools:

| Manual Title   | ADE No.     |
|--|-------------|
| SH Series C/C++ Compiler, Assembler, Optimizing Linkage Editor User's Manual | ADE-702-246 |
| SH Series Simulator/Debugger (for Windows) User's Manual                     | ADE-702-186 |
| SH Series Simulator/Debugger (for UNIX) User's Manual                        | ADE-702-203 |
| Embedded Workshop User's Manual  | ADE-702-201 |
| SH Series Embedded Workshop, Debugging Interface Tutorial                    | ADE-702-230 |



## Abbreviations

|      |  |
|------|--|
| ADC  | Analog to Digital Converter              |
| ALU  | Arithmetic Logic Unit                    |
| ASE  | Adaptive System Evaluator                |
| ASID | Address Space Identifier                 |
| AUD  | Advanced User Debugger                   |
| BCD  | Binary Coded Decimal                     |
| bps  | bit per second                           |
| BSC  | Bus State Controller                     |
| CCN  | Cache Memory Controller                  |
| CMT  | Compare Match Timer                      |
| CPG  | Clock Pulse Generator                    |
| CPU  | Central Processing Unit                  |
| DMAC | Direct Memory Access Controller          |
| etu  | Elementary Time Unit                     |
| FIFO | First-In First-Out                       |
| Hi-Z | High Impedance                           |
| UDI  | User Debugging Interface                 |
| INTC | Interrupt Controller                     |
| IrDA | Infrared Data Association                |
| JTAG | Joint Test Action Group                  |
| LQFP | Low Profile QFP                          |
| LRU  | Least Recently Used                      |
| LSB  | Least Significant Bit                    |
| MMU  | Memory Management Unit                   |
| MPX  | Multiplex                                |
| MSB  | Most Significant Bit                     |
| PC   | Program Counter                          |
| PFC  | Pin Function Controller                  |
| PLL  | Phase Locked Loop                        |
| PWM  | Pulse Width Modulation                   |
| RAM  | Random Access Memory                     |
| RISC | Reduced Instruction Set Computer         |
| ROM  | Read Only Memory                         |
| RTC  | Realtime Clock                           |
| SCIF | Serial Communication Interface with FIFO |

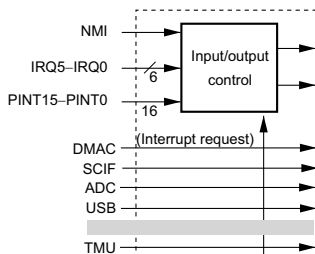
|       |   |
|-------|---|
| SDRAM | Synchronous DRAM                            |
| TAP   | Test Access Port                            |
| T.B.D | To Be Determined                            |
| TLB   | Translation Lookaside Buffer                |
| TMU   | Timer Unit                                  |
| TPU   | Timer Pulse Unit                            |
| UART  | Universal Asynchronous Receiver/Transmitter |
| UBC   | User Break Controller                       |
| USB   | Universal Serial Bus                        |
| WDT   | Watchdog Timer                              |

# Main Revisions and Additions in this Edition

| Item  | Page     | Revisions (See Manual for Details)  |         |   |          |     |             |         |          |                         |         |   |  |  |                         |         |  |  |  |                         |         |  |  |  |  |         |  |  |  |          |         |  |  |  |               |         |   |  |  |  |         |                                      |  |  |                      |   |                        |
|---|----------|---|---------|---|----------|-----|-------------|---------|----------|-------------------------|---------|---|--|--|-------------------------|---------|--|--|--|-------------------------|---------|--|--|--|--|---------|--|--|--|----------|---------|--|--|--|---------------|---------|---|--|--|--|---------|--------------------------------------|--|--|----------------------|---|------------------------|
| 1.1 SH7705 Features                                   | 4        | Features of USB function module (USB) amended   |         |   |          |     |             |         |          |                         |         |   |  |  |                         |         |  |  |  |                         |         |  |  |  |  |         |  |  |  |          |         |  |  |  |               |         |   |  |  |  |         |                                      |  |  |                      |   |                        |
| Table 1.1 SH7705 Features                             |          | <ul style="list-style-type: none"> <li>Conforms to USB 2.0 full-speed specification</li> </ul>  |         |   |          |     |             |         |          |                         |         |   |  |  |                         |         |  |  |  |                         |         |  |  |  |  |         |  |  |  |          |         |  |  |  |               |         |   |  |  |  |         |                                      |  |  |                      |   |                        |
| 1.3 Pin Assignment                                    | 13, 15,  | Note *6, *7 added   |         |   |          |     |             |         |          |                         |         |   |  |  |                         |         |  |  |  |                         |         |  |  |  |  |         |  |  |  |          |         |  |  |  |               |         |   |  |  |  |         |                                      |  |  |                      |   |                        |
| Table 1.2 Pin Functions                               | 16       | <table border="1"> <thead> <tr> <th colspan="2">Pin No.</th> <th>Pin Name</th> <th>I/O</th> <th>Description</th> </tr> </thead> <tbody> <tr> <td>FP-208C</td> <td>TBP-208A</td> <td>TDI<sup>*7</sup>/PTG0</td> <td>I / I/O</td> <td>Test data input (UDI) / input/output port G</td> </tr> <tr> <td></td> <td></td> <td>TCK<sup>*7</sup>/PTG1</td> <td>I / I/O</td> <td>Test clock (UDI) / input/output port G</td> </tr> <tr> <td></td> <td></td> <td>TMS<sup>*7</sup>/PTG2</td> <td>I / I/O</td> <td>Test mode select (UDI) / input/output port G</td> </tr> <tr> <td></td> <td></td> <td><math>\overline{\text{TRST}}^{*1 *7}</math>/PTG3</td> <td>I / I/O</td> <td>Test reset (UDI) / input/output port G</td> </tr> <tr> <td></td> <td></td> <td>TDO/PTF5</td> <td>O / I/O</td> <td>Test data output (UDI) / input/output port F</td> </tr> <tr> <td></td> <td></td> <td>ASEBRKAK/PTF6</td> <td>O / I/O</td> <td>ASE break acknowledge (UDI) / input/output port F</td> </tr> <tr> <td></td> <td></td> <td><math>\overline{\text{ASEMDO}}^{*2 *7}</math>/PTF7</td> <td>I / I/O</td> <td>ASE mode (UDI) / input/output port F</td> </tr> <tr> <td></td> <td></td> <td>RESETP<sup>*6</sup></td> <td>I</td> <td>Power-on reset request</td> </tr> </tbody> </table> <p>Notes: 6. Pull-up MOS connected.<br/>7. The pull-up MOS turns on if the pin function controller (PFC) is used to select other functions (UDI).</p> | Pin No. |   | Pin Name | I/O | Description | FP-208C | TBP-208A | TDI <sup>*7</sup> /PTG0 | I / I/O | Test data input (UDI) / input/output port G |  |  | TCK <sup>*7</sup> /PTG1 | I / I/O | Test clock (UDI) / input/output port G |  |  | TMS <sup>*7</sup> /PTG2 | I / I/O | Test mode select (UDI) / input/output port G |  |  | $\overline{\text{TRST}}^{*1 *7}$ /PTG3 | I / I/O | Test reset (UDI) / input/output port G |  |  | TDO/PTF5 | O / I/O | Test data output (UDI) / input/output port F |  |  | ASEBRKAK/PTF6 | O / I/O | ASE break acknowledge (UDI) / input/output port F |  |  | $\overline{\text{ASEMDO}}^{*2 *7}$ /PTF7 | I / I/O | ASE mode (UDI) / input/output port F |  |  | RESETP <sup>*6</sup> | I | Power-on reset request |
| Pin No.   |          | Pin Name  | I/O     | Description                                       |          |     |             |         |          |                         |         |   |  |  |                         |         |  |  |  |                         |         |  |  |  |  |         |  |  |  |          |         |  |  |  |               |         |   |  |  |  |         |                                      |  |  |                      |   |                        |
| FP-208C   | TBP-208A | TDI <sup>*7</sup> /PTG0   | I / I/O | Test data input (UDI) / input/output port G       |          |     |             |         |          |                         |         |   |  |  |                         |         |  |  |  |                         |         |  |  |  |  |         |  |  |  |          |         |  |  |  |               |         |   |  |  |  |         |                                      |  |  |                      |   |                        |
|   |          | TCK <sup>*7</sup> /PTG1   | I / I/O | Test clock (UDI) / input/output port G            |          |     |             |         |          |                         |         |   |  |  |                         |         |  |  |  |                         |         |  |  |  |  |         |  |  |  |          |         |  |  |  |               |         |   |  |  |  |         |                                      |  |  |                      |   |                        |
|   |          | TMS <sup>*7</sup> /PTG2   | I / I/O | Test mode select (UDI) / input/output port G      |          |     |             |         |          |                         |         |   |  |  |                         |         |  |  |  |                         |         |  |  |  |  |         |  |  |  |          |         |  |  |  |               |         |   |  |  |  |         |                                      |  |  |                      |   |                        |
|   |          | $\overline{\text{TRST}}^{*1 *7}$ /PTG3  | I / I/O | Test reset (UDI) / input/output port G            |          |     |             |         |          |                         |         |   |  |  |                         |         |  |  |  |                         |         |  |  |  |  |         |  |  |  |          |         |  |  |  |               |         |   |  |  |  |         |                                      |  |  |                      |   |                        |
|   |          | TDO/PTF5  | O / I/O | Test data output (UDI) / input/output port F      |          |     |             |         |          |                         |         |   |  |  |                         |         |  |  |  |                         |         |  |  |  |  |         |  |  |  |          |         |  |  |  |               |         |   |  |  |  |         |                                      |  |  |                      |   |                        |
|   |          | ASEBRKAK/PTF6   | O / I/O | ASE break acknowledge (UDI) / input/output port F |          |     |             |         |          |                         |         |   |  |  |                         |         |  |  |  |                         |         |  |  |  |  |         |  |  |  |          |         |  |  |  |               |         |   |  |  |  |         |                                      |  |  |                      |   |                        |
|   |          | $\overline{\text{ASEMDO}}^{*2 *7}$ /PTF7  | I / I/O | ASE mode (UDI) / input/output port F              |          |     |             |         |          |                         |         |   |  |  |                         |         |  |  |  |                         |         |  |  |  |  |         |  |  |  |          |         |  |  |  |               |         |   |  |  |  |         |                                      |  |  |                      |   |                        |
|   |          | RESETP <sup>*6</sup>  | I       | Power-on reset request                            |          |     |             |         |          |                         |         |   |  |  |                         |         |  |  |  |                         |         |  |  |  |  |         |  |  |  |          |         |  |  |  |               |         |   |  |  |  |         |                                      |  |  |                      |   |                        |
| 4.4.1 Address Array                                   | 105      | Description amended   |         |   |          |     |             |         |          |                         |         |   |  |  |                         |         |  |  |  |                         |         |  |  |  |  |         |  |  |  |          |         |  |  |  |               |         |   |  |  |  |         |                                      |  |  |                      |   |                        |
| Address-Array Write (Associative Operation)           |          | ..... This operation is used to invalidate the address specification for a cache.   |         |   |          |     |             |         |          |                         |         |   |  |  |                         |         |  |  |  |                         |         |  |  |  |  |         |  |  |  |          |         |  |  |  |               |         |   |  |  |  |         |                                      |  |  |                      |   |                        |
| 4.4.3 Usage Examples                                  | 107      | Description largely revised   |         |   |          |     |             |         |          |                         |         |   |  |  |                         |         |  |  |  |                         |         |  |  |  |  |         |  |  |  |          |         |  |  |  |               |         |   |  |  |  |         |                                      |  |  |                      |   |                        |
| Invalidating a Specific Entry                         |          |   |         |   |          |     |             |         |          |                         |         |   |  |  |                         |         |  |  |  |                         |         |  |  |  |  |         |  |  |  |          |         |  |  |  |               |         |   |  |  |  |         |                                      |  |  |                      |   |                        |
| Invalidating an Address Specification                 | 108      | Description added   |         |   |          |     |             |         |          |                         |         |   |  |  |                         |         |  |  |  |                         |         |  |  |  |  |         |  |  |  |          |         |  |  |  |               |         |   |  |  |  |         |                                      |  |  |                      |   |                        |
| 5.2.5 Exception Source Acceptance Timing and Priority | 117      | Note *3 amended   |         |   |          |     |             |         |          |                         |         |   |  |  |                         |         |  |  |  |                         |         |  |  |  |  |         |  |  |  |          |         |  |  |  |               |         |   |  |  |  |         |                                      |  |  |                      |   |                        |
| Table 5.1 Exception Event Vectors                     |          | Note: 3. If an interrupt is accepted, the exception event register (EXPEVT) is not changed. ....  |         |   |          |     |             |         |          |                         |         |   |  |  |                         |         |  |  |  |                         |         |  |  |  |  |         |  |  |  |          |         |  |  |  |               |         |   |  |  |  |         |                                      |  |  |                      |   |                        |

6.1 Features 126 CMT deleted

Figure 6.1 Block Diagram of INTC



Legend:  
 DMAC : Direct memory access controller  
 SCIF : Serial communication interface (with FIFO)  
 ADC : A/D converter  
 USB : USB interface  
 TMU : Timer pulse unit  
 TPU : 16-bit timer pulse unit

6.4.6 Interrupt Exception Handling and Priority 140 IPR (bit numbers) amended for interrupt source TMU2  
 IPRA (7 to 4)

Table 6.4 Interrupt Exception Handling Sources and Priority (IRQ Mode)

7.4.2 CSn Space Bus Control Register (CSnBCR) (n = 0, 2, 3, 4, 5A, 5B, 6A, 6B) 160 Bits 14 to 12 description added  
 Note: SDRAM can be specified only in area 2 and area 3. If SDRAM is connected to only one area, SDRAM should be specified for area 3. In this case area 2 should be specified as normal space.

161 Note 5 added  
 Note: 5. The SDRAM bank active mode can only be used for the CS3 space. (Refer to the explanation of the BACTV bit in the SDRAM control register.)

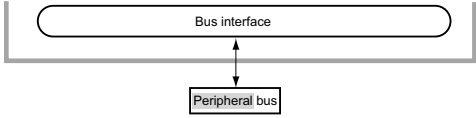
7.4.5 Refresh Timer Control/Status Register (RTCSR) 177 Bits 31 to 18 description amended

| Bit     | Bit Name | Initial Value | R/W | Description |
|---------|----------|---------------|-----|-------------|
| 31 to 8 | —        | 0             | R   | Reserved    |

7.4.6 Refresh Timer Counter (RTCNT) 179 Bits 31 to 18 description amended

| Bit     | Bit Name | Initial Value | R/W | Description |
|---------|----------|---------------|-----|-------------|
| 31 to 8 | —        | 0             | R   | Reserved    |

| Item   | Page | Revisions (See Manual for Details)  |
|--|------|---|
| 7.13 Others<br>Reset   | 237  | In standby, sleep, and manual reset, control registers of the bus state controller are not initialized. At manual reset, the current bus cycle being executed is completed and then the access wait state is entered. ■ Since the RTCNT continues counting up during manual reset signal assertion, a refresh request occurs to initiate the refresh cycle.<br><br>Note that arbitration requests using BREQ are not accepted during manual reset signal assertion. |
| 8.3.4 DMA Channel Control Registers (CHCR)   | 244  | Bits 15, 14 description amended<br>00: Fixed destination address<br>(setting prohibited in 16-byte transfer)  |
|  | 245  | Bits 13, 12 description amended<br>00: Fixed source address<br>(setting prohibited in 16-byte transfer)   |
| 8.4.3 Channel Priority Round-Robin Mode  | 258  | ..... The priority of round-robin mode is CH0 > CH1 > CH2 > CH3 immediately after a reset.<br><br>When the round-robin mode is specified, cycle-steal mode and burst mode should not be mixed among the bus modes for multiple channels.  |
| 8.4.4 DMA Transfer Types Address Modes   | 262  | Figure amended  |
| Figure 8.6 Example of DMA Transfer Timing in Dual Mode (Source: Ordinary Memory, Destination: Ordinary Memory) |      |   |
| Bus Mode and channel Priority Order  | 266  | Description largely revised   |
| 8.5 Precautions  | 270  | Newly added   |

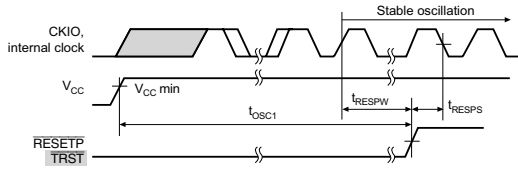
| Item  | Page   | Revisions (See Manual for Details)   |                  |             |                 |     |  |              |     |   |            |     |  |            |
|---|--|--|------------------|-------------|-----------------|-----|--|--------------|-----|---|------------|-----|--|------------|
| 9.1 Features<br>Figure 9.1 Block Diagram of Clock Pulse Generator         | 272  | Figure amended<br>  |                  |             |                 |     |  |              |     |   |            |     |  |            |
| 10.2.2 Watchdog Timer Control/Status Register (WTCSR)                     | 289  | Note added<br>Note: If manual reset is selected using the RSTS bit, a frequency division ratio of 1/16, 1/32, 1/64, 1/256, 1/1,024, or 1/4,096 is selected using bits CKS2 to CKS0, and a watchdog timer counter overflow occurs, resulting in a manual reset, the LSI will generate two manual resets in succession. This will not affect its operation but will cause change in the state of the STATUS pin.   |                  |             |                 |     |  |              |     |   |            |     |  |            |
| 11.6.1 Transition to Module Standby Function                              | 301  | Description amended<br>This function can be used to reduce the power consumption in the normal mode and sleep mode.  |                  |             |                 |     |  |              |     |   |            |     |  |            |
| 16.5 SCIF Interrupt Sources and DMAC<br>Table 16.4 SCIF Interrupt Sources | 427  | Table amended<br><table border="1"> <thead> <tr> <th>Interrupt Source</th> <th>Description</th> <th>DMAC Activation</th> </tr> </thead> <tbody> <tr> <td>ERI</td> <td>Interrupt initiated by receive error flag (ER) or break flag (BRK)</td> <td>Not possible</td> </tr> <tr> <td>RXI</td> <td>Interrupt initiated by receive FIFO data full flag (RDF) or receive data ready (DR)</td> <td>Possible*1</td> </tr> <tr> <td>TXI</td> <td>Interrupt initiated by transmit FIFO data empty flag (TDFE) or transmit data stop flag (TSF)</td> <td>Possible*2</td> </tr> </tbody> </table> | Interrupt Source | Description | DMAC Activation | ERI | Interrupt initiated by receive error flag (ER) or break flag (BRK) | Not possible | RXI | Interrupt initiated by receive FIFO data full flag (RDF) or receive data ready (DR) | Possible*1 | TXI | Interrupt initiated by transmit FIFO data empty flag (TDFE) or transmit data stop flag (TSF) | Possible*2 |
| Interrupt Source  | Description  | DMAC Activation  |                  |             |                 |     |  |              |     |   |            |     |  |            |
| ERI   | Interrupt initiated by receive error flag (ER) or break flag (BRK)                           | Not possible   |                  |             |                 |     |  |              |     |   |            |     |  |            |
| RXI   | Interrupt initiated by receive FIFO data full flag (RDF) or receive data ready (DR)          | Possible*1   |                  |             |                 |     |  |              |     |   |            |     |  |            |
| TXI   | Interrupt initiated by transmit FIFO data empty flag (TDFE) or transmit data stop flag (TSF) | Possible*2   |                  |             |                 |     |  |              |     |   |            |     |  |            |
| 18.1 Features   | 437  | Description amended<br><ul style="list-style-type: none"> <li>The UDC (USB device controller) conforming to USB2.0 and transceiver process USB protocol automatically.</li> </ul>  |                  |             |                 |     |  |              |     |   |            |     |  |            |
| 19.2.7 Port F Control Register (PFCR)                                     | 489  | Note *2 added to Bits 15 and 14<br>Note 2. Pull-up MOS on.   |                  |             |                 |     |  |              |     |   |            |     |  |            |
| 19.2.9 Port G Control Register (PGCR)                                     | 491  | Note *2 added to Bits 7 to 0<br>Note 2. Pull-up MOS on.  |                  |             |                 |     |  |              |     |   |            |     |  |            |

| Item  | Page            | Revisions (See Manual for Details)   |                 |                 |             |                 |     |   |               |   |               |   |                |   |               |   |                |   |                 |   |                |   |                 |   |                |   |             |   |                    |   |                      |   |                    |   |                     |   |                    |   |           |   |                    |   |                      |   |                    |   |                      |   |                    |   |           |   |                    |   |            |   |                    |   |            |   |                |   |            |   |               |   |            |   |               |   |                |   |            |   |                |   |           |   |                |   |           |   |                |   |           |   |                |   |         |   |                |   |         |   |                |   |  |  |                |   |  |  |
|---|-----------------|--|-----------------|-----------------|-------------|-----------------|-----|---|---------------|---|---------------|---|----------------|---|---------------|---|----------------|---|-----------------|---|----------------|---|-----------------|---|----------------|---|-------------|---|--------------------|---|----------------------|---|--------------------|---|---------------------|---|--------------------|---|-----------|---|--------------------|---|----------------------|---|--------------------|---|----------------------|---|--------------------|---|-----------|---|--------------------|---|------------|---|--------------------|---|------------|---|----------------|---|------------|---|---------------|---|------------|---|---------------|---|----------------|---|------------|---|----------------|---|-----------|---|----------------|---|-----------|---|----------------|---|-----------|---|----------------|---|---------|---|----------------|---|---------|---|----------------|---|--|--|----------------|---|--|--|
| 22.2.10 Execution Times Break Register (BETR)   | 552             | Note added<br>Note: If the channel B brake condition set to during instruction fetch cycles and any of the instructions below perform breaks, BETR is not decremented when the first break occurs. The decremented values are listed below. <table border="1" style="margin-left: 20px;"> <thead> <tr> <th>Instruction</th> <th>Value Decrement</th> <th>Instruction</th> <th>Value Decrement</th> </tr> </thead> <tbody> <tr><td>RTE</td><td>4</td><td>LDC.L @Rm+,SR</td><td>6</td></tr> <tr><td>DMULS.L Rm,Rn</td><td>2</td><td>LDC.L @Rm+,GBR</td><td>4</td></tr> <tr><td>DMULU.L Rm,Rn</td><td>2</td><td>LDC.L @Rm+,VBR</td><td>4</td></tr> <tr><td>MAC.L @Rm+,@Rn+</td><td>2</td><td>LDC.L @Rm+,SSR</td><td>4</td></tr> <tr><td>MAC.W @Rm+,@Rn+</td><td>2</td><td>LDC.L @Rm+,SPC</td><td>4</td></tr> <tr><td>MUL.L Rm,Rn</td><td>3</td><td>LDC.L @Rm+,R0_BANK</td><td>4</td></tr> <tr><td>AND.B #imm,@(R0,GBR)</td><td>3</td><td>LDC.L @Rm+,R1_BANK</td><td>4</td></tr> <tr><td>OR.B #imm,@(R0,GBR)</td><td>3</td><td>LDC.L @Rm+,R2_BANK</td><td>4</td></tr> <tr><td>TAS.B @Rn</td><td>3</td><td>LDC.L @Rm+,R3_BANK</td><td>4</td></tr> <tr><td>TST.B #imm,@(R0,GBR)</td><td>3</td><td>LDC.L @Rm+,R4_BANK</td><td>4</td></tr> <tr><td>XOR.B #imm,@(R0,GBR)</td><td>3</td><td>LDC.L @Rm+,R5_BANK</td><td>4</td></tr> <tr><td>LDC Rm,SR</td><td>4</td><td>LDC.L @Rm+,R6_BANK</td><td>4</td></tr> <tr><td>LDC Rm,GBR</td><td>4</td><td>LDC.L @Rm+,R7_BANK</td><td>4</td></tr> <tr><td>LDC Rm,VBR</td><td>4</td><td>LDC.L @Rn+,MOD</td><td>4</td></tr> <tr><td>LDC Rm,SSR</td><td>4</td><td>LDC.L @Rn+,RS</td><td>4</td></tr> <tr><td>LDC Rm,SPC</td><td>4</td><td>LDC.L @Rn+,RE</td><td>4</td></tr> <tr><td>LDC Rm,R0_BANK</td><td>4</td><td>LDC Rn,MOD</td><td>4</td></tr> <tr><td>LDC Rm,R1_BANK</td><td>4</td><td>LDC Rn,RS</td><td>4</td></tr> <tr><td>LDC Rm,R2_BANK</td><td>4</td><td>LDC Rn,RE</td><td>4</td></tr> <tr><td>LDC Rm,R3_BANK</td><td>4</td><td>BSR label</td><td>2</td></tr> <tr><td>LDC Rm,R4_BANK</td><td>4</td><td>BSRF Rm</td><td>2</td></tr> <tr><td>LDC Rm,R5_BANK</td><td>4</td><td>JSR @Rm</td><td>2</td></tr> <tr><td>LDC Rm,R6_BANK</td><td>4</td><td></td><td></td></tr> <tr><td>LDC Rm,R7_BANK</td><td>4</td><td></td><td></td></tr> </tbody> </table> | Instruction     | Value Decrement | Instruction | Value Decrement | RTE | 4 | LDC.L @Rm+,SR | 6 | DMULS.L Rm,Rn | 2 | LDC.L @Rm+,GBR | 4 | DMULU.L Rm,Rn | 2 | LDC.L @Rm+,VBR | 4 | MAC.L @Rm+,@Rn+ | 2 | LDC.L @Rm+,SSR | 4 | MAC.W @Rm+,@Rn+ | 2 | LDC.L @Rm+,SPC | 4 | MUL.L Rm,Rn | 3 | LDC.L @Rm+,R0_BANK | 4 | AND.B #imm,@(R0,GBR) | 3 | LDC.L @Rm+,R1_BANK | 4 | OR.B #imm,@(R0,GBR) | 3 | LDC.L @Rm+,R2_BANK | 4 | TAS.B @Rn | 3 | LDC.L @Rm+,R3_BANK | 4 | TST.B #imm,@(R0,GBR) | 3 | LDC.L @Rm+,R4_BANK | 4 | XOR.B #imm,@(R0,GBR) | 3 | LDC.L @Rm+,R5_BANK | 4 | LDC Rm,SR | 4 | LDC.L @Rm+,R6_BANK | 4 | LDC Rm,GBR | 4 | LDC.L @Rm+,R7_BANK | 4 | LDC Rm,VBR | 4 | LDC.L @Rn+,MOD | 4 | LDC Rm,SSR | 4 | LDC.L @Rn+,RS | 4 | LDC Rm,SPC | 4 | LDC.L @Rn+,RE | 4 | LDC Rm,R0_BANK | 4 | LDC Rn,MOD | 4 | LDC Rm,R1_BANK | 4 | LDC Rn,RS | 4 | LDC Rm,R2_BANK | 4 | LDC Rn,RE | 4 | LDC Rm,R3_BANK | 4 | BSR label | 2 | LDC Rm,R4_BANK | 4 | BSRF Rm | 2 | LDC Rm,R5_BANK | 4 | JSR @Rm | 2 | LDC Rm,R6_BANK | 4 |  |  | LDC Rm,R7_BANK | 4 |  |  |
| Instruction   | Value Decrement | Instruction  | Value Decrement |                 |             |                 |     |   |               |   |               |   |                |   |               |   |                |   |                 |   |                |   |                 |   |                |   |             |   |                    |   |                      |   |                    |   |                     |   |                    |   |           |   |                    |   |                      |   |                    |   |                      |   |                    |   |           |   |                    |   |            |   |                    |   |            |   |                |   |            |   |               |   |            |   |               |   |                |   |            |   |                |   |           |   |                |   |           |   |                |   |           |   |                |   |         |   |                |   |         |   |                |   |  |  |                |   |  |  |
| RTE   | 4               | LDC.L @Rm+,SR  | 6               |                 |             |                 |     |   |               |   |               |   |                |   |               |   |                |   |                 |   |                |   |                 |   |                |   |             |   |                    |   |                      |   |                    |   |                     |   |                    |   |           |   |                    |   |                      |   |                    |   |                      |   |                    |   |           |   |                    |   |            |   |                    |   |            |   |                |   |            |   |               |   |            |   |               |   |                |   |            |   |                |   |           |   |                |   |           |   |                |   |           |   |                |   |         |   |                |   |         |   |                |   |  |  |                |   |  |  |
| DMULS.L Rm,Rn   | 2               | LDC.L @Rm+,GBR   | 4               |                 |             |                 |     |   |               |   |               |   |                |   |               |   |                |   |                 |   |                |   |                 |   |                |   |             |   |                    |   |                      |   |                    |   |                     |   |                    |   |           |   |                    |   |                      |   |                    |   |                      |   |                    |   |           |   |                    |   |            |   |                    |   |            |   |                |   |            |   |               |   |            |   |               |   |                |   |            |   |                |   |           |   |                |   |           |   |                |   |           |   |                |   |         |   |                |   |         |   |                |   |  |  |                |   |  |  |
| DMULU.L Rm,Rn   | 2               | LDC.L @Rm+,VBR   | 4               |                 |             |                 |     |   |               |   |               |   |                |   |               |   |                |   |                 |   |                |   |                 |   |                |   |             |   |                    |   |                      |   |                    |   |                     |   |                    |   |           |   |                    |   |                      |   |                    |   |                      |   |                    |   |           |   |                    |   |            |   |                    |   |            |   |                |   |            |   |               |   |            |   |               |   |                |   |            |   |                |   |           |   |                |   |           |   |                |   |           |   |                |   |         |   |                |   |         |   |                |   |  |  |                |   |  |  |
| MAC.L @Rm+,@Rn+   | 2               | LDC.L @Rm+,SSR   | 4               |                 |             |                 |     |   |               |   |               |   |                |   |               |   |                |   |                 |   |                |   |                 |   |                |   |             |   |                    |   |                      |   |                    |   |                     |   |                    |   |           |   |                    |   |                      |   |                    |   |                      |   |                    |   |           |   |                    |   |            |   |                    |   |            |   |                |   |            |   |               |   |            |   |               |   |                |   |            |   |                |   |           |   |                |   |           |   |                |   |           |   |                |   |         |   |                |   |         |   |                |   |  |  |                |   |  |  |
| MAC.W @Rm+,@Rn+   | 2               | LDC.L @Rm+,SPC   | 4               |                 |             |                 |     |   |               |   |               |   |                |   |               |   |                |   |                 |   |                |   |                 |   |                |   |             |   |                    |   |                      |   |                    |   |                     |   |                    |   |           |   |                    |   |                      |   |                    |   |                      |   |                    |   |           |   |                    |   |            |   |                    |   |            |   |                |   |            |   |               |   |            |   |               |   |                |   |            |   |                |   |           |   |                |   |           |   |                |   |           |   |                |   |         |   |                |   |         |   |                |   |  |  |                |   |  |  |
| MUL.L Rm,Rn   | 3               | LDC.L @Rm+,R0_BANK   | 4               |                 |             |                 |     |   |               |   |               |   |                |   |               |   |                |   |                 |   |                |   |                 |   |                |   |             |   |                    |   |                      |   |                    |   |                     |   |                    |   |           |   |                    |   |                      |   |                    |   |                      |   |                    |   |           |   |                    |   |            |   |                    |   |            |   |                |   |            |   |               |   |            |   |               |   |                |   |            |   |                |   |           |   |                |   |           |   |                |   |           |   |                |   |         |   |                |   |         |   |                |   |  |  |                |   |  |  |
| AND.B #imm,@(R0,GBR)  | 3               | LDC.L @Rm+,R1_BANK   | 4               |                 |             |                 |     |   |               |   |               |   |                |   |               |   |                |   |                 |   |                |   |                 |   |                |   |             |   |                    |   |                      |   |                    |   |                     |   |                    |   |           |   |                    |   |                      |   |                    |   |                      |   |                    |   |           |   |                    |   |            |   |                    |   |            |   |                |   |            |   |               |   |            |   |               |   |                |   |            |   |                |   |           |   |                |   |           |   |                |   |           |   |                |   |         |   |                |   |         |   |                |   |  |  |                |   |  |  |
| OR.B #imm,@(R0,GBR)   | 3               | LDC.L @Rm+,R2_BANK   | 4               |                 |             |                 |     |   |               |   |               |   |                |   |               |   |                |   |                 |   |                |   |                 |   |                |   |             |   |                    |   |                      |   |                    |   |                     |   |                    |   |           |   |                    |   |                      |   |                    |   |                      |   |                    |   |           |   |                    |   |            |   |                    |   |            |   |                |   |            |   |               |   |            |   |               |   |                |   |            |   |                |   |           |   |                |   |           |   |                |   |           |   |                |   |         |   |                |   |         |   |                |   |  |  |                |   |  |  |
| TAS.B @Rn   | 3               | LDC.L @Rm+,R3_BANK   | 4               |                 |             |                 |     |   |               |   |               |   |                |   |               |   |                |   |                 |   |                |   |                 |   |                |   |             |   |                    |   |                      |   |                    |   |                     |   |                    |   |           |   |                    |   |                      |   |                    |   |                      |   |                    |   |           |   |                    |   |            |   |                    |   |            |   |                |   |            |   |               |   |            |   |               |   |                |   |            |   |                |   |           |   |                |   |           |   |                |   |           |   |                |   |         |   |                |   |         |   |                |   |  |  |                |   |  |  |
| TST.B #imm,@(R0,GBR)  | 3               | LDC.L @Rm+,R4_BANK   | 4               |                 |             |                 |     |   |               |   |               |   |                |   |               |   |                |   |                 |   |                |   |                 |   |                |   |             |   |                    |   |                      |   |                    |   |                     |   |                    |   |           |   |                    |   |                      |   |                    |   |                      |   |                    |   |           |   |                    |   |            |   |                    |   |            |   |                |   |            |   |               |   |            |   |               |   |                |   |            |   |                |   |           |   |                |   |           |   |                |   |           |   |                |   |         |   |                |   |         |   |                |   |  |  |                |   |  |  |
| XOR.B #imm,@(R0,GBR)  | 3               | LDC.L @Rm+,R5_BANK   | 4               |                 |             |                 |     |   |               |   |               |   |                |   |               |   |                |   |                 |   |                |   |                 |   |                |   |             |   |                    |   |                      |   |                    |   |                     |   |                    |   |           |   |                    |   |                      |   |                    |   |                      |   |                    |   |           |   |                    |   |            |   |                    |   |            |   |                |   |            |   |               |   |            |   |               |   |                |   |            |   |                |   |           |   |                |   |           |   |                |   |           |   |                |   |         |   |                |   |         |   |                |   |  |  |                |   |  |  |
| LDC Rm,SR   | 4               | LDC.L @Rm+,R6_BANK   | 4               |                 |             |                 |     |   |               |   |               |   |                |   |               |   |                |   |                 |   |                |   |                 |   |                |   |             |   |                    |   |                      |   |                    |   |                     |   |                    |   |           |   |                    |   |                      |   |                    |   |                      |   |                    |   |           |   |                    |   |            |   |                    |   |            |   |                |   |            |   |               |   |            |   |               |   |                |   |            |   |                |   |           |   |                |   |           |   |                |   |           |   |                |   |         |   |                |   |         |   |                |   |  |  |                |   |  |  |
| LDC Rm,GBR  | 4               | LDC.L @Rm+,R7_BANK   | 4               |                 |             |                 |     |   |               |   |               |   |                |   |               |   |                |   |                 |   |                |   |                 |   |                |   |             |   |                    |   |                      |   |                    |   |                     |   |                    |   |           |   |                    |   |                      |   |                    |   |                      |   |                    |   |           |   |                    |   |            |   |                    |   |            |   |                |   |            |   |               |   |            |   |               |   |                |   |            |   |                |   |           |   |                |   |           |   |                |   |           |   |                |   |         |   |                |   |         |   |                |   |  |  |                |   |  |  |
| LDC Rm,VBR  | 4               | LDC.L @Rn+,MOD   | 4               |                 |             |                 |     |   |               |   |               |   |                |   |               |   |                |   |                 |   |                |   |                 |   |                |   |             |   |                    |   |                      |   |                    |   |                     |   |                    |   |           |   |                    |   |                      |   |                    |   |                      |   |                    |   |           |   |                    |   |            |   |                    |   |            |   |                |   |            |   |               |   |            |   |               |   |                |   |            |   |                |   |           |   |                |   |           |   |                |   |           |   |                |   |         |   |                |   |         |   |                |   |  |  |                |   |  |  |
| LDC Rm,SSR  | 4               | LDC.L @Rn+,RS  | 4               |                 |             |                 |     |   |               |   |               |   |                |   |               |   |                |   |                 |   |                |   |                 |   |                |   |             |   |                    |   |                      |   |                    |   |                     |   |                    |   |           |   |                    |   |                      |   |                    |   |                      |   |                    |   |           |   |                    |   |            |   |                    |   |            |   |                |   |            |   |               |   |            |   |               |   |                |   |            |   |                |   |           |   |                |   |           |   |                |   |           |   |                |   |         |   |                |   |         |   |                |   |  |  |                |   |  |  |
| LDC Rm,SPC  | 4               | LDC.L @Rn+,RE  | 4               |                 |             |                 |     |   |               |   |               |   |                |   |               |   |                |   |                 |   |                |   |                 |   |                |   |             |   |                    |   |                      |   |                    |   |                     |   |                    |   |           |   |                    |   |                      |   |                    |   |                      |   |                    |   |           |   |                    |   |            |   |                    |   |            |   |                |   |            |   |               |   |            |   |               |   |                |   |            |   |                |   |           |   |                |   |           |   |                |   |           |   |                |   |         |   |                |   |         |   |                |   |  |  |                |   |  |  |
| LDC Rm,R0_BANK  | 4               | LDC Rn,MOD   | 4               |                 |             |                 |     |   |               |   |               |   |                |   |               |   |                |   |                 |   |                |   |                 |   |                |   |             |   |                    |   |                      |   |                    |   |                     |   |                    |   |           |   |                    |   |                      |   |                    |   |                      |   |                    |   |           |   |                    |   |            |   |                    |   |            |   |                |   |            |   |               |   |            |   |               |   |                |   |            |   |                |   |           |   |                |   |           |   |                |   |           |   |                |   |         |   |                |   |         |   |                |   |  |  |                |   |  |  |
| LDC Rm,R1_BANK  | 4               | LDC Rn,RS  | 4               |                 |             |                 |     |   |               |   |               |   |                |   |               |   |                |   |                 |   |                |   |                 |   |                |   |             |   |                    |   |                      |   |                    |   |                     |   |                    |   |           |   |                    |   |                      |   |                    |   |                      |   |                    |   |           |   |                    |   |            |   |                    |   |            |   |                |   |            |   |               |   |            |   |               |   |                |   |            |   |                |   |           |   |                |   |           |   |                |   |           |   |                |   |         |   |                |   |         |   |                |   |  |  |                |   |  |  |
| LDC Rm,R2_BANK  | 4               | LDC Rn,RE  | 4               |                 |             |                 |     |   |               |   |               |   |                |   |               |   |                |   |                 |   |                |   |                 |   |                |   |             |   |                    |   |                      |   |                    |   |                     |   |                    |   |           |   |                    |   |                      |   |                    |   |                      |   |                    |   |           |   |                    |   |            |   |                    |   |            |   |                |   |            |   |               |   |            |   |               |   |                |   |            |   |                |   |           |   |                |   |           |   |                |   |           |   |                |   |         |   |                |   |         |   |                |   |  |  |                |   |  |  |
| LDC Rm,R3_BANK  | 4               | BSR label  | 2               |                 |             |                 |     |   |               |   |               |   |                |   |               |   |                |   |                 |   |                |   |                 |   |                |   |             |   |                    |   |                      |   |                    |   |                     |   |                    |   |           |   |                    |   |                      |   |                    |   |                      |   |                    |   |           |   |                    |   |            |   |                    |   |            |   |                |   |            |   |               |   |            |   |               |   |                |   |            |   |                |   |           |   |                |   |           |   |                |   |           |   |                |   |         |   |                |   |         |   |                |   |  |  |                |   |  |  |
| LDC Rm,R4_BANK  | 4               | BSRF Rm  | 2               |                 |             |                 |     |   |               |   |               |   |                |   |               |   |                |   |                 |   |                |   |                 |   |                |   |             |   |                    |   |                      |   |                    |   |                     |   |                    |   |           |   |                    |   |                      |   |                    |   |                      |   |                    |   |           |   |                    |   |            |   |                    |   |            |   |                |   |            |   |               |   |            |   |               |   |                |   |            |   |                |   |           |   |                |   |           |   |                |   |           |   |                |   |         |   |                |   |         |   |                |   |  |  |                |   |  |  |
| LDC Rm,R5_BANK  | 4               | JSR @Rm  | 2               |                 |             |                 |     |   |               |   |               |   |                |   |               |   |                |   |                 |   |                |   |                 |   |                |   |             |   |                    |   |                      |   |                    |   |                     |   |                    |   |           |   |                    |   |                      |   |                    |   |                      |   |                    |   |           |   |                    |   |            |   |                    |   |            |   |                |   |            |   |               |   |            |   |               |   |                |   |            |   |                |   |           |   |                |   |           |   |                |   |           |   |                |   |         |   |                |   |         |   |                |   |  |  |                |   |  |  |
| LDC Rm,R6_BANK  | 4               |  |                 |                 |             |                 |     |   |               |   |               |   |                |   |               |   |                |   |                 |   |                |   |                 |   |                |   |             |   |                    |   |                      |   |                    |   |                     |   |                    |   |           |   |                    |   |                      |   |                    |   |                      |   |                    |   |           |   |                    |   |            |   |                    |   |            |   |                |   |            |   |               |   |            |   |               |   |                |   |            |   |                |   |           |   |                |   |           |   |                |   |           |   |                |   |         |   |                |   |         |   |                |   |  |  |                |   |  |  |
| LDC Rm,R7_BANK  | 4               |  |                 |                 |             |                 |     |   |               |   |               |   |                |   |               |   |                |   |                 |   |                |   |                 |   |                |   |             |   |                    |   |                      |   |                    |   |                     |   |                    |   |           |   |                    |   |                      |   |                    |   |                      |   |                    |   |           |   |                    |   |            |   |                    |   |            |   |                |   |            |   |               |   |            |   |               |   |                |   |            |   |                |   |           |   |                |   |           |   |                |   |           |   |                |   |         |   |                |   |         |   |                |   |  |  |                |   |  |  |
| 23.2 Input/Output Pins  | 569             | Note * added<br>Note: * The pull-up MOS turns on if the pin function controller (PFC) is used to select other functions (UDI).   |                 |                 |             |                 |     |   |               |   |               |   |                |   |               |   |                |   |                 |   |                |   |                 |   |                |   |             |   |                    |   |                      |   |                    |   |                     |   |                    |   |           |   |                    |   |                      |   |                    |   |                      |   |                    |   |           |   |                    |   |            |   |                    |   |            |   |                |   |            |   |               |   |            |   |               |   |                |   |            |   |                |   |           |   |                |   |           |   |                |   |           |   |                |   |         |   |                |   |         |   |                |   |  |  |                |   |  |  |
| 23.3.3 Boundary Scan Register (SDBSR)   | 570             | Description amended<br>SDBSR is a 385-bit shift register, located on the PAD, for controlling the input/output pins of this LSI.   |                 |                 |             |                 |     |   |               |   |               |   |                |   |               |   |                |   |                 |   |                |   |                 |   |                |   |             |   |                    |   |                      |   |                    |   |                     |   |                    |   |           |   |                    |   |                      |   |                    |   |                      |   |                    |   |           |   |                    |   |            |   |                    |   |            |   |                |   |            |   |               |   |            |   |               |   |                |   |            |   |                |   |           |   |                |   |           |   |                |   |           |   |                |   |         |   |                |   |         |   |                |   |  |  |                |   |  |  |
| 23.5.2 Points for Attention   | 582             | Item 7 added under “23.5.2 Points for Attention”<br>7. The CKIO cock should operate during boundary scan. The MD[2:0] pin should be set to the clock mode used during normal operation, and EXTAL and CKIO should be set within the frequency range specified in the Clock Pulse Generator (CPG) section.<br>As during normal operation, the boundary scan test should be performed after allowing sufficient settling time for the crystal oscillator, PLL1, and PLL2.  |                 |                 |             |                 |     |   |               |   |               |   |                |   |               |   |                |   |                 |   |                |   |                 |   |                |   |             |   |                    |   |                      |   |                    |   |                     |   |                    |   |           |   |                    |   |                      |   |                    |   |                      |   |                    |   |           |   |                    |   |            |   |                    |   |            |   |                |   |            |   |               |   |            |   |               |   |                |   |            |   |                |   |           |   |                |   |           |   |                |   |           |   |                |   |         |   |                |   |         |   |                |   |  |  |                |   |  |  |
| 24.1 Register Addresses (by functional module, in order of the corresponding section numbers) | 592             | Access size of EP1 data register and EP2 data register amended to 8/32   |                 |                 |             |                 |     |   |               |   |               |   |                |   |               |   |                |   |                 |   |                |   |                 |   |                |   |             |   |                    |   |                      |   |                    |   |                     |   |                    |   |           |   |                    |   |                      |   |                    |   |                      |   |                    |   |           |   |                    |   |            |   |                    |   |            |   |                |   |            |   |               |   |            |   |               |   |                |   |            |   |                |   |           |   |                |   |           |   |                |   |           |   |                |   |         |   |                |   |         |   |                |   |  |  |                |   |  |  |

25.3.1 Clock Timing

633 Figure amended

Figure 25.5 Power-On Oscillation Settling Time



25.3.2 Control Signal Timing

636 Conditions amended

Table 25.6 Control Signal Timing

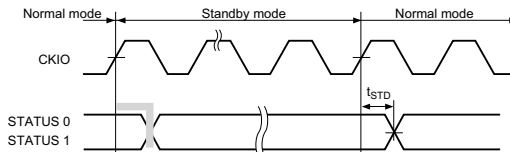
(Conditions:  $V_{CCQ} = V_{CC-RTC} = V_{CC-USB} = 3.0$  to  $3.6$  V,  $V_{CC} = V_{CC-PLL1} = V_{CC-PLL2} = 1.4$  to  $1.6$  V,  $AV_{CC} = 3.0$  to  $3.6$  V,  $V_{SSQ} = V_{SS} = V_{SS-RTC} = V_{SS-USB} = V_{SS-PLL1} = V_{SS-PLL2} = AV_{SS} = 0$  V,  $T_a = -20$  to  $75^\circ\text{C}$ , **Clock mode 0/1/2/4/5/6/7**)

Note \*1 amended

Note: 1. **RESETP**, **RESETM**, NMI, and IRQ5 to IRQ0 are asynchronous. ....

Figure 25.15 Pin Drive Timing at Standby

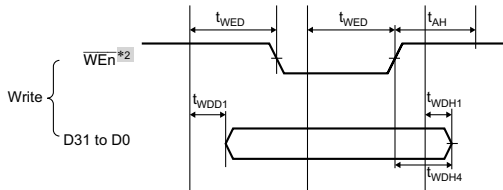
638 Figure amended



25.3.4 Basic Timing

640 Note \*2 added

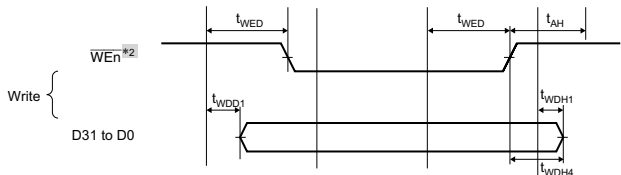
Figure 25.16 Basic Bus Cycle (No Wait)



Notes: 1. DACKn is a waveform when active-low is specified.  
2. Output timing is the same when reading byte-selection SRAM.

Figure 25.17 Basic Bus Cycle (One Software Wait)

641 Note \*2 added

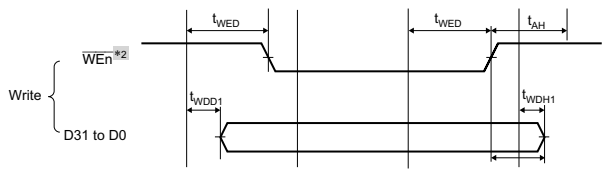


Notes: 1. DACKn is a waveform when active-low is specified.  
2. Output timing is the same when reading byte-selection SRAM.



25.3.4 Basic Timing                      642    Note \*2 added

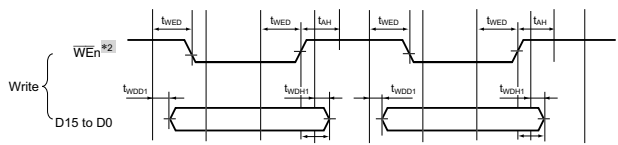
Figure 25.18 Basic Bus Cycle (One External Wait)



- Notes: 1. DACKn is a waveform when active-low is specified.
- 2. Output timing is the same when reading byte-selection SRAM.

Figure 25.19 Basic Bus Cycle (One Software Wait, External Wait Enabled (WM Bit = 0), No Idle Cycle Setting)

643    Note \*2 added



- Notes: 1. DACKn is a waveform when active-low is specified.
- 2. Output timing is the same when reading byte-selection SRAM.

25.3.11 SCIF Module Signal Timing                      671    Item amended

Transmission data delay time (clock synchronization)  
 RTS delay time (clock synchronization)

A. I/O Port States in Each Processing State                      679    Note \*11 added

Table A.1 I/O Port States in Each Processing State

| Category       | Pin    | Power-Down States |              |                  |       | Handling of Unused Pins |
|----------------|--------|-------------------|--------------|------------------|-------|-------------------------|
|                |        | Power-on Reset    | Manual Reset | Software Standby | Sleep |                         |
| System control | RESETP | *11               | *11          | *11              | *11   | Must be used            |
|                | RESETM |                   |              |                  |       | Pull-up                 |

A. I/O Port States in Each Processing State

682,  
684

Note \*13 added

Table A.1 I/O Port States in Each Processing State

| Category | Pin          | Reset          |              |                  |       | Power-Down States |       | Bus Mastership Released | I/O  | Handling of Unused Pins |
|----------|--------------|----------------|--------------|------------------|-------|-------------------|-------|-------------------------|------|-------------------------|
|          |              | Power-on Reset | Manual Reset | Software Standby | Sleep | Sleep             | Sleep |                         |      |                         |
| Port     | NF/PTD[5]    | I              | I            | Z                | I     | I                 | I     | I/I                     | Open | Pull-up                 |
|          | PTE[7]       | V              | P            | K                | P     | P                 | P     | IO                      | Open |                         |
|          | NF/PTJ[7]    | L              | O            | O                | O     | O                 | O     | O/O                     | Open |                         |
|          | NF/PTJ [6:0] | H*13           | O            | O                | O     | O                 | O     | O/O                     | Open |                         |

Note: 13. The values of PTJ6, PTJ1, and PTJ0 differ during power-on reset and after the power-on reset state is released. They conform to the port J data register value after being switched to port status by the pin function controller (PFC).

|         | During Power-On Reset | After Power-On Reset Release |             |
|---------|-----------------------|------------------------------|-------------|
|         |                       | PTD5/NF = 1                  | PTD5/NF = 0 |
| PTJ6/NF | 1                     | 0                            | 1           |
| PTJ1/NF | 1                     | 1                            | 0           |
| PTJ0/NF | 1                     | 0                            | 1           |

# Contents

|           |  |    |
|-----------|--|----|
| Section 1 | Overview .....                               | 1  |
| 1.1       | SH7705 Features .....                        | 1  |
| 1.2       | Block Diagram.....                           | 6  |
| 1.3       | Pin Assignment.....                          | 7  |
| 1.4       | Pin Functions.....                           | 17 |
| Section 2 | CPU .....                                    | 25 |
| 2.1       | Processing States and Processing Modes ..... | 25 |
| 2.1.1     | Processing States .....                      | 25 |
| 2.1.2     | Processing Modes.....                        | 26 |
| 2.2       | Memory Map.....                              | 27 |
| 2.2.1     | Logical Address Space .....                  | 27 |
| 2.2.2     | External Memory Space .....                  | 28 |
| 2.3       | Register Descriptions.....                   | 29 |
| 2.3.1     | General Registers .....                      | 32 |
| 2.3.2     | System Registers .....                       | 33 |
| 2.3.3     | Program Counter .....                        | 34 |
| 2.3.4     | Control Registers.....                       | 35 |
| 2.4       | Data Formats .....                           | 37 |
| 2.4.1     | Register Data Format.....                    | 37 |
| 2.4.2     | Memory Data Formats.....                     | 38 |
| 2.5       | Features of CPU Core Instructions.....       | 40 |
| 2.5.1     | Instruction Execution Method .....           | 40 |
| 2.5.2     | CPU Instruction Addressing Modes .....       | 42 |
| 2.5.3     | CPU Instruction Formats.....                 | 45 |
| 2.6       | Instruction Set.....                         | 48 |
| 2.6.1     | CPU Instruction Set Based on Functions ..... | 48 |
| 2.6.2     | Operation Code Map .....                     | 62 |
| Section 3 | Memory Management Unit (MMU) .....           | 65 |
| 3.1       | Role of MMU .....                            | 65 |
| 3.1.1     | MMU of This LSI.....                         | 67 |
| 3.2       | Register Descriptions.....                   | 72 |
| 3.2.1     | Page Table Entry Register High (PTEH) .....  | 72 |
| 3.2.2     | Page Table Entry Register Low (PTEL).....    | 73 |
| 3.2.3     | Translation Table Base Register (TTB).....   | 73 |
| 3.2.4     | MMU Control Register (MMUCR).....            | 73 |
| 3.3       | TLB Functions.....                           | 75 |
| 3.3.1     | Configuration of the TLB.....                | 75 |

|   |  |            |
|---|--|------------|
| 3.3.2                                     | TLB Indexing .....                           | 77         |
| 3.3.3                                     | TLB Address Comparison .....                 | 78         |
| 3.3.4                                     | Page Management Information .....            | 80         |
| 3.4                                       | MMU Functions .....                          | 81         |
| 3.4.1                                     | MMU Hardware Management .....                | 81         |
| 3.4.2                                     | MMU Software Management .....                | 81         |
| 3.4.3                                     | MMU Instruction (LDTLB) .....                | 82         |
| 3.4.4                                     | Avoiding Synonym Problems .....              | 83         |
| 3.5                                       | MMU Exceptions .....                         | 85         |
| 3.5.1                                     | TLB Miss Exception .....                     | 85         |
| 3.5.2                                     | TLB Protection Violation Exception .....     | 86         |
| 3.5.3                                     | TLB Invalid Exception .....                  | 87         |
| 3.5.4                                     | Initial Page Write Exception .....           | 88         |
| 3.6                                       | Memory-Mapped TLB .....                      | 90         |
| 3.6.1                                     | Address Array .....                          | 90         |
| 3.6.2                                     | Data Array .....                             | 90         |
| 3.6.3                                     | Usage Examples .....                         | 92         |
| 3.7                                       | Usage Note .....                             | 92         |
| <b>Section 4 Cache.....</b>               |  | <b>93</b>  |
| 4.1                                       | Features .....                               | 93         |
| 4.1.1                                     | Cache Structure .....                        | 93         |
| 4.2                                       | Register Descriptions .....                  | 95         |
| 4.2.1                                     | Cache Control Register 1 (CCR1) .....        | 96         |
| 4.2.2                                     | Cache Control Register 2 (CCR2) .....        | 97         |
| 4.2.3                                     | Cache Control Register 3 (CCR3) .....        | 100        |
| 4.3                                       | Operation .....                              | 101        |
| 4.3.1                                     | Searching the Cache .....                    | 101        |
| 4.3.2                                     | Read Access .....                            | 102        |
| 4.3.3                                     | Prefetch Operation .....                     | 102        |
| 4.3.4                                     | Write Access .....                           | 102        |
| 4.3.5                                     | Write-Back Buffer .....                      | 103        |
| 4.3.6                                     | Coherency of Cache and External Memory ..... | 103        |
| 4.4                                       | Memory-Mapped Cache .....                    | 104        |
| 4.4.1                                     | Address Array .....                          | 104        |
| 4.4.2                                     | Data Array .....                             | 105        |
| 4.4.3                                     | Usage Examples .....                         | 107        |
| 4.5                                       | Usage Note .....                             | 108        |
| <b>Section 5 Exception Handling .....</b> |  | <b>109</b> |
| 5.1                                       | Register Descriptions .....                  | 109        |
| 5.1.1                                     | TRAPA Exception Register (TRA) .....         | 110        |
| 5.1.2                                     | Exception Event Register (EXPEVT) .....      | 111        |

|  |  |            |
|--|--|------------|
| 5.1.3  | Interrupt Event Register (INTEVT) .....                                | 111        |
| 5.1.4  | Interrupt Event Register 2 (INTEVT2) .....                             | 112        |
| 5.1.5  | Exception Address Register (TEA) .....                                 | 112        |
| 5.2  | Exception Handling Function .....                                      | 113        |
| 5.2.1  | Exception Handling Flow .....  | 113        |
| 5.2.2  | Exception Vector Addresses .....                                       | 114        |
| 5.2.3  | Exception Codes .....  | 114        |
| 5.2.4  | Exception Request and BL Bit (Multiple Exception Prevention) .....     | 114        |
| 5.2.5  | Exception Source Acceptance Timing and Priority .....                  | 115        |
| 5.3  | Individual Exception Operations .....                                  | 118        |
| 5.3.1  | Resets .....   | 118        |
| 5.3.2  | General Exceptions .....   | 118        |
| 5.3.3  | General Exceptions (MMU Exceptions) .....                              | 121        |
| 5.4  | Usage Notes .....  | 124        |
| <b>Section 6 Interrupt Controller (INTC) .....</b> |  | <b>125</b> |
| 6.1  | Features .....   | 125        |
| 6.2  | Input/Output Pins .....  | 127        |
| 6.3  | Register Descriptions .....  | 127        |
| 6.3.1  | Interrupt Priority Level Setting Registers A to H (IPRA to IPRH) ..... | 128        |
| 6.3.2  | Interrupt Control Register 0 (ICR0) .....                              | 129        |
| 6.3.3  | Interrupt Control Register 1 (ICR1) .....                              | 130        |
| 6.3.4  | Interrupt Control Register 2 (ICR2) .....                              | 132        |
| 6.3.5  | PINT Interrupt Enable Register (PINTER) .....                          | 132        |
| 6.3.6  | Interrupt Request Register 0 (IRR0) .....                              | 133        |
| 6.3.7  | Interrupt Request Register 1 (IRR1) .....                              | 134        |
| 6.3.8  | Interrupt Request Register 2 (IRR2) .....                              | 135        |
| 6.4  | Interrupt Sources .....  | 136        |
| 6.4.1  | NMI Interrupt .....  | 136        |
| 6.4.2  | IRQ Interrupts .....   | 136        |
| 6.4.3  | IRL Interrupts .....   | 137        |
| 6.4.4  | PINT Interrupt .....   | 138        |
| 6.4.5  | On-Chip Peripheral Module Interrupts .....                             | 138        |
| 6.4.6  | Interrupt Exception Handling and Priority .....                        | 139        |
| 6.5  | Operation .....  | 144        |
| 6.5.1  | Interrupt Sequence .....   | 144        |
| 6.5.2  | Multiple Interrupts .....  | 147        |
| 6.6  | Usage Note .....   | 147        |
| <b>Section 7 Bus State Controller (BSC) .....</b>  |  | <b>149</b> |
| 7.1  | Overview .....   | 149        |
| 7.1.1  | Features .....   | 149        |
| 7.1.2  | Block Diagram .....  | 150        |

|  |   |     |
|--|---|-----|
| 7.2  | Pin Configuration .....   | 151 |
| 7.3  | Area Overview .....   | 152 |
| 7.3.1  | Address Map .....   | 152 |
| 7.3.2  | Memory Bus Width.....   | 154 |
| 7.3.3  | Shadow Space .....  | 155 |
| 7.4  | Register Descriptions .....   | 155 |
| 7.4.1  | Common Control Register (CMNCR).....  | 156 |
| 7.4.2  | CSn Space Bus Control Register (CSnBCR) (n = 0, 2, 3, 4, 5A, 5B, 6A, 6B)..... | 158 |
| 7.4.3  | CSn Space Wait Control Register (CSnWCR) (n = 0, 2, 3, 4, 5A, 5B, 6A, 6B) ..  | 161 |
| 7.4.4  | SDRAM Control Register (SDCR) .....   | 174 |
| 7.4.5  | Refresh Timer Control/Status Register (RTCSR) .....                           | 177 |
| 7.4.6  | Refresh Timer Counter (RTCNT) .....   | 179 |
| 7.4.7  | Refresh Time Constant Register (RTCOR).....                                   | 179 |
| 7.4.8  | Reset Wait Counter (RWCNT).....   | 180 |
| 7.5  | Endian/Access Size and Data Alignment .....                                   | 180 |
| 7.6  | Normal Space Interface .....  | 187 |
| 7.6.1  | Basic Timing .....  | 187 |
| 7.6.2  | Access Wait Control.....  | 192 |
| 7.6.3  | $\overline{CSn}$ Assert Period Expansion.....                                 | 194 |
| 7.7  | Address/Data Multiplex I/O Interface .....                                    | 195 |
| 7.8  | SDRAM Interface.....  | 198 |
| 7.8.1  | SDRAM Direct Connection .....   | 198 |
| 7.8.2  | Address Multiplexing.....   | 200 |
| 7.8.3  | Burst Read.....   | 212 |
| 7.8.4  | Single Read .....   | 214 |
| 7.8.5  | Burst Write .....   | 215 |
| 7.8.6  | Single Write .....  | 217 |
| 7.8.7  | Bank Active.....  | 218 |
| 7.8.8  | Refreshing .....  | 225 |
| 7.8.9  | Low-Frequency Mode.....   | 228 |
| 7.8.10   | Power-On Sequence .....   | 229 |
| 7.9  | Burst ROM Interface .....   | 231 |
| 7.10   | Byte-Selection SRAM Interface.....  | 233 |
| 7.11   | Wait between Access Cycles.....   | 235 |
| 7.12   | Bus Arbitration.....  | 235 |
| 7.13   | Others .....  | 237 |
| Section 8 Direct Memory Access Controller (DMAC) ..... |   | 239 |
| 8.1  | Features .....  | 239 |
| 8.2  | Input/Output Pins .....   | 241 |
| 8.3  | Register Descriptions .....   | 241 |
| 8.3.1  | DMA Source Address Registers (SAR) .....                                      | 242 |
| 8.3.2  | DMA Destination Address Registers (DAR) .....                                 | 242 |

|  |   |            |
|--|---|------------|
| 8.3.3  | DMA Transfer Count Registers (DMATCR) .....                                     | 243        |
| 8.3.4  | DMA Channel Control Registers (CHCR) .....                                      | 243        |
| 8.3.5  | DMA Operation Register (DMAOR) .....  | 248        |
| 8.3.6  | DMA Extended Resource Selectors 0, 1 (DMARS0, DMARS1) .....                     | 250        |
| 8.4  | Operation .....   | 252        |
| 8.4.1  | Transfer Flow .....   | 252        |
| 8.4.2  | DMA Transfer Requests .....   | 254        |
| 8.4.3  | Channel Priority .....  | 257        |
| 8.4.4  | DMA Transfer Types .....  | 260        |
| 8.4.5  | Number of Bus Cycle States and DREQ Pin Sampling Timing .....                   | 267        |
| 8.5  | Precautions .....   | 270        |
| 8.5.1  | Precautions when Mixing Cycle-Steal Mode Channels and Burst Mode Channels ..... | 270        |
| <b>Section 9 Clock Pulse Generator (CPG) .....</b> |   | <b>271</b> |
| 9.1  | Features .....  | 271        |
| 9.2  | Input/Output Pins .....   | 274        |
| 9.3  | Clock Operating Modes .....   | 275        |
| 9.4  | Register Descriptions .....   | 279        |
| 9.4.1  | Frequency Control Register (FRQCR) .....  | 279        |
| 9.4.2  | USB Clock Frequency Control Register (UCLKCR) .....                             | 281        |
| 9.4.3  | Usage Notes .....   | 281        |
| 9.5  | Changing Frequency .....  | 282        |
| 9.5.1  | Changing Multiplication Rate .....  | 282        |
| 9.5.2  | Changing Division Ratio .....   | 282        |
| 9.5.3  | Modification of Clock Operating Mode .....                                      | 282        |
| 9.6  | Usage Notes .....   | 283        |
| <b>Section 10 Watchdog Timer (WDT) .....</b>       |   | <b>285</b> |
| 10.1   | Features .....  | 285        |
| 10.2   | Register Descriptions .....   | 286        |
| 10.2.1   | Watchdog Timer Counter (WTCNT) .....  | 286        |
| 10.2.2   | Watchdog Timer Control/Status Register (WTCSR) .....                            | 287        |
| 10.2.3   | Notes on Register Access .....  | 289        |
| 10.3   | Operation .....   | 290        |
| 10.3.1   | Canceling Software Standbys .....   | 290        |
| 10.3.2   | Changing Frequency .....  | 291        |
| 10.3.3   | Using Watchdog Timer Mode .....   | 291        |
| 10.3.4   | Using Interval Timer Mode .....   | 291        |
| <b>Section 11 Power-Down Modes .....</b>           |   | <b>293</b> |
| 11.1   | Features .....  | 293        |
| 11.2   | Input/Output Pins .....   | 295        |

|  |   |         |
|--|---|---------|
| 11.3   | Register Descriptions .....                               | 295     |
| 11.3.1   | Standby Control Register (STBCR) .....                    | 296     |
| 11.3.2   | Standby Control Register 2 (STBCR2) .....                 | 297     |
| 11.3.3   | Standby Control Register 3 (STBCR3) .....                 | 298     |
| 11.4   | Sleep Mode .....  | 299     |
| 11.4.1   | Transition to Sleep Mode .....                            | 299     |
| 11.4.2   | Canceling Sleep Mode .....                                | 299     |
| 11.5   | Software Standby Mode .....                               | 300     |
| 11.5.1   | Transition to Software Standby Mode .....                 | 300     |
| 11.5.2   | Canceling Software Standby Mode .....                     | 300     |
| 11.6   | Module Standby Function .....                             | 301     |
| 11.6.1   | Transition to Module Standby Function .....               | 301     |
| 11.6.2   | Canceling Module Standby Function .....                   | 302     |
| 11.7   | Hardware Standby Mode .....                               | 302     |
| 11.7.1   | Transition to Hardware Standby Mode .....                 | 302     |
| 11.7.2   | Canceling Hardware Standby Mode .....                     | 302     |
| 11.8   | Timing of STATUS Pin Changes .....                        | 303     |
| <br>Section 12 Timer Unit (TMU) .....          |   | <br>309 |
| 12.1   | Features .....  | 309     |
| 12.2   | Input/Output Pin .....                                    | 311     |
| 12.3   | Register Descriptions .....                               | 311     |
| 12.3.1   | Timer Start Register (TSTR) .....                         | 312     |
| 12.3.2   | Timer Control Registers (TCR) .....                       | 313     |
| 12.3.3   | Timer Constant Registers (TCOR) .....                     | 317     |
| 12.3.4   | Timer Counters (TCNT) .....                               | 317     |
| 12.3.5   | Input Capture Register_2 (TCPR_2) .....                   | 317     |
| 12.4   | Operation .....   | 318     |
| 12.4.1   | Counter Operation .....                                   | 318     |
| 12.4.2   | Input Capture Function .....                              | 320     |
| 12.5   | Interrupts .....  | 321     |
| 12.5.1   | Status Flag Set Timing .....                              | 321     |
| 12.5.2   | Status Flag Clear Timing .....                            | 321     |
| 12.5.3   | Interrupt Sources and Priorities .....                    | 322     |
| 12.6   | Usage Notes .....   | 322     |
| 12.6.1   | Writing to Registers .....                                | 322     |
| 12.6.2   | Reading Registers .....                                   | 322     |
| <br>Section 13 Compare Match Timer (CMT) ..... |   | <br>323 |
| 13.1   | Features .....  | 323     |
| 13.2   | Register Descriptions .....                               | 324     |
| 13.2.1   | Compare Match Timer Start Register (CMSTR) .....          | 324     |
| 13.2.2   | Compare Match Timer Control/Status Register (CMCSR) ..... | 325     |



|                   |   |            |
|-------------------|---|------------|
| 13.2.3            | Compare Match Counter (CMCNT)           | 326        |
| 13.2.4            | Compare Match Constant Register (CMCOR) | 326        |
| 13.3              | Operation                               | 326        |
| 13.3.1            | Period Count Operation                  | 326        |
| 13.3.2            | CMCNT Count Timing                      | 327        |
| 13.3.3            | Compare Match Flag Set Timing           | 327        |
| <b>Section 14</b> | <b>16-Bit Timer Pulse Unit (TPU)</b>    | <b>329</b> |
| 14.1              | Features                                | 329        |
| 14.2              | Input/Output Pins                       | 332        |
| 14.3              | Register Descriptions                   | 332        |
| 14.3.1            | Timer Control Registers (TCR)           | 334        |
| 14.3.2            | Timer Mode Registers (TMDR)             | 337        |
| 14.3.3            | Timer I/O Control Registers (TIOR)      | 338        |
| 14.3.4            | Timer Interrupt Enable Registers (TIER) | 339        |
| 14.3.5            | Timer Status Registers (TSR)            | 340        |
| 14.3.6            | Timer Counters (TCNT)                   | 341        |
| 14.3.7            | Timer General Registers (TGR)           | 341        |
| 14.3.8            | Timer Start Register (TSTR)             | 341        |
| 14.4              | Operation                               | 342        |
| 14.4.1            | Overview                                | 342        |
| 14.4.2            | Basic Functions                         | 343        |
| 14.4.3            | Buffer Operation                        | 346        |
| 14.4.4            | PWM Modes                               | 348        |
| <b>Section 15</b> | <b>Realtime Clock (RTC)</b>             | <b>351</b> |
| 15.1              | Features                                | 351        |
| 15.2              | Input/Output Pins                       | 353        |
| 15.3              | Register Descriptions                   | 353        |
| 15.3.1            | 64-Hz Counter (R64CNT)                  | 354        |
| 15.3.2            | Second Counter (RSECCNT)                | 354        |
| 15.3.3            | Minute Counter (RMINCNT)                | 355        |
| 15.3.4            | Hour Counter (RHRCNT)                   | 355        |
| 15.3.5            | Day of Week Counter (RWKCNT)            | 356        |
| 15.3.6            | Date Counter (RDAYCNT)                  | 357        |
| 15.3.7            | Month Counter (RMONCNT)                 | 357        |
| 15.3.8            | Year Counter (RYRCNT)                   | 358        |
| 15.3.9            | Second Alarm Register (RSECAR)          | 358        |
| 15.3.10           | Minute Alarm Register (RMINAR)          | 359        |
| 15.3.11           | Hour Alarm Register (RHRAR)             | 360        |
| 15.3.12           | Day of Week Alarm Register (RWKAR)      | 361        |
| 15.3.13           | Date Alarm Register (RDAYAR)            | 362        |
| 15.3.14           | Month Alarm Register (RMONAR)           | 363        |

|   |   |            |
|---|---|------------|
| 15.3.15   | Year Alarm Register (RYRAR)                     | 364        |
| 15.3.16   | RTC Control Register 1 (RCR1)                   | 365        |
| 15.3.17   | RTC Control Register 2 (RCR2)                   | 366        |
| 15.3.18   | RTC Control Register 3 (RCR3)                   | 368        |
| 15.4  | Operation                                       | 369        |
| 15.4.1  | Initial Settings of Registers after Power-On    | 369        |
| 15.4.2  | Setting Time                                    | 369        |
| 15.4.3  | Reading the Time                                | 370        |
| 15.4.4  | Alarm Function                                  | 371        |
| 15.4.5  | Crystal Oscillator Circuit                      | 372        |
| 15.5  | Notes for Usage                                 | 373        |
| 15.5.1  | Register Writing during RTC Count               | 373        |
| 15.5.2  | Use of Realtime Clock (RTC) Periodic Interrupts | 373        |
| 15.5.3  | Standby Mode after Register Setting             | 373        |
| <b>Section 16 Serial Communication Interface with FIFO (SCIF)</b> |   | <b>375</b> |
| 16.1  | Features  | 375        |
| 16.2  | Input/Output Pins                               | 378        |
| 16.3  | Register Descriptions                           | 379        |
| 16.3.1  | Receive Shift Register (SCRSR)                  | 380        |
| 16.3.2  | Receive FIFO Data Register (SCFRDR)             | 380        |
| 16.3.3  | Transmit Shift Register (SCTSR)                 | 380        |
| 16.3.4  | Transmit FIFO Data Register (SCFTDR)            | 381        |
| 16.3.5  | Serial Mode Register (SCSMR)                    | 381        |
| 16.3.6  | Serial Control Register (SCSCR)                 | 385        |
| 16.3.7  | FIFO Error Count Register (SCFER)               | 389        |
| 16.3.8  | Serial Status Register (SCSSR)                  | 390        |
| 16.3.9  | Bit Rate Register (SCBRR)                       | 395        |
| 16.3.10   | FIFO Control Register (SCFCR)                   | 398        |
| 16.3.11   | FIFO Data Count Register (SCFDR)                | 401        |
| 16.3.12   | Transmit Data Stop Register (SCTDSR)            | 401        |
| 16.4  | Operation                                       | 402        |
| 16.4.1  | Overview  | 402        |
| 16.4.2  | Asynchronous Mode                               | 402        |
| 16.4.3  | Serial Operation in Asynchronous Mode           | 404        |
| 16.4.4  | Clock Synchronous Mode                          | 415        |
| 16.4.5  | Serial Operation in Clock Synchronous Mode      | 416        |
| 16.5  | SCIF Interrupt Sources and DMAC                 | 426        |
| 16.6  | Notes on Usage                                  | 428        |
| <b>Section 17 Infrared Data Association Module (IrDA)</b>         |   | <b>431</b> |
| 17.1  | Features  | 431        |
| 17.2  | Input/Output Pins                               | 432        |

|   |   |            |
|---|---|------------|
| 17.3  | Register Description .....  | 432        |
| 17.3.1                                      | IrDA Mode Register (SCSMR_Ir) .....                                 | 432        |
| 17.4  | Operation .....   | 434        |
| 17.4.1                                      | Overview .....  | 434        |
| 17.4.2                                      | Transmitting .....  | 434        |
| 17.4.3                                      | Receiving .....   | 435        |
| 17.4.4                                      | Data Format Specification .....                                     | 435        |
| <b>Section 18 USB Function Module .....</b> |   | <b>437</b> |
| 18.1  | Features .....  | 437        |
| 18.2  | Input/Output Pins .....   | 439        |
| 18.3  | Register Descriptions .....   | 440        |
| 18.3.1                                      | Interrupt Flag Register 0 (IFR0) .....                              | 441        |
| 18.3.2                                      | Interrupt Flag Register 1 (IFR1) .....                              | 442        |
| 18.3.3                                      | Interrupt Select Register 0 (ISR0) .....                            | 443        |
| 18.3.4                                      | Interrupt Select Register 1 (ISR1) .....                            | 443        |
| 18.3.5                                      | Interrupt Enable Register 0 (IER0) .....                            | 444        |
| 18.3.6                                      | Interrupt Enable Register 1 (IER1) .....                            | 444        |
| 18.3.7                                      | EP0i Data Register (EPDR0i) .....                                   | 445        |
| 18.3.8                                      | EP0o Data Register (EPDR0o) .....                                   | 445        |
| 18.3.9                                      | EP0s Data Register (EPDR0s) .....                                   | 445        |
| 18.3.10                                     | EP1 Data Register (EPDR1) .....                                     | 446        |
| 18.3.11                                     | EP2 Data Register (EPDR2) .....                                     | 446        |
| 18.3.12                                     | EP3 Data Register (EPDR3) .....                                     | 446        |
| 18.3.13                                     | EP0o Receive Data Size Register (EPSZ0o) .....                      | 447        |
| 18.3.14                                     | EP1 Receive Data Size Register (EPSZ1) .....                        | 447        |
| 18.3.15                                     | Trigger Register (TRG) .....  | 448        |
| 18.3.16                                     | Data Status Register (DASTS) .....                                  | 449        |
| 18.3.17                                     | FIFO Clear Register (FCLR) .....                                    | 449        |
| 18.3.18                                     | DMA Transfer Setting Register (DMAR) .....                          | 450        |
| 18.3.19                                     | Endpoint Stall Register (EPSTL) .....                               | 453        |
| 18.3.20                                     | Transceiver Control Register (XVERCR) .....                         | 453        |
| 18.4  | Operation .....   | 454        |
| 18.4.1                                      | Cable Connection .....  | 454        |
| 18.4.2                                      | Cable Disconnection .....   | 455        |
| 18.4.3                                      | Control Transfer .....  | 455        |
| 18.4.4                                      | EP1 Bulk-Out Transfer (Dual FIFOs) .....                            | 461        |
| 18.4.5                                      | EP2 Bulk-In Transfer (Dual FIFOs) .....                             | 462        |
| 18.4.6                                      | EP3 Interrupt-In Transfer .....                                     | 463        |
| 18.5  | Processing of USB Standard Commands and Class/Vendor Commands ..... | 464        |
| 18.5.1                                      | Processing of Commands Transmitted by Control Transfer .....        | 464        |
| 18.6  | Stall Operations .....  | 465        |
| 18.6.1                                      | Overview .....  | 465        |

|   |  |            |
|---|--|------------|
| 18.6.2  | Forcible Stall by Application .....                  | 465        |
| 18.6.3  | Automatic Stall by USB Function Module.....          | 467        |
| 18.7  | DMA Transfer .....                                   | 468        |
| 18.7.1  | Overview .....                                       | 468        |
| 18.7.2  | DMA Transfer for Endpoint 1 .....                    | 468        |
| 18.7.3  | DMA Transfer for Endpoint 2 .....                    | 469        |
| 18.8  | Example of USB External Circuitry .....              | 470        |
| 18.9  | Usage Notes.....                                     | 473        |
| 18.9.1  | Receiving Setup Data .....                           | 473        |
| 18.9.2  | Clearing the FIFO.....                               | 473        |
| 18.9.3  | Overreading and Overwriting the Data Registers.....  | 473        |
| 18.9.4  | Assigning Interrupt Sources to EP0 .....             | 474        |
| 18.9.5  | Clearing the FIFO when DMA Transfer Is Enabled ..... | 474        |
| 18.9.6  | Notes on TR Interrupt .....                          | 474        |
| <b>Section 19 Pin Function Controller .....</b> |  | <b>475</b> |
| 19.1  | Overview .....                                       | 475        |
| 19.2  | Register Descriptions .....                          | 479        |
| 19.2.1  | Port A Control Register (PACR).....                  | 480        |
| 19.2.2  | Port B Control Register (PBCR) .....                 | 481        |
| 19.2.3  | Port C Control Register (PCCR) .....                 | 483        |
| 19.2.4  | Port D Control Register (PDCR).....                  | 485        |
| 19.2.5  | Port E Control Register (PECR).....                  | 487        |
| 19.2.6  | Port E Control Register 2 (PECR2).....               | 488        |
| 19.2.7  | Port F Control Register (PFCR) .....                 | 489        |
| 19.2.8  | Port F Control Register 2 (PFCR2) .....              | 490        |
| 19.2.9  | Port G Control Register (PGCR).....                  | 491        |
| 19.2.10   | Port H Control Register (PHCR).....                  | 493        |
| 19.2.11   | Port J Control Register (PJCR) .....                 | 494        |
| 19.2.12   | Port K Control Register (PKCR).....                  | 496        |
| 19.2.13   | Port L Control Register (PLCR).....                  | 498        |
| 19.2.14   | Port M Control Register (PMCR).....                  | 499        |
| 19.2.15   | Port N Control Register (PNCR).....                  | 500        |
| 19.2.16   | Port N Control Register 2 (PNCR2).....               | 502        |
| 19.2.17   | Port SC Control Register (SCPCR).....                | 503        |
| <b>Section 20 I/O Ports .....</b>               |  | <b>507</b> |
| 20.1  | Port A .....   | 507        |
| 20.1.1  | Register Description .....                           | 507        |
| 20.1.2  | Port A Data Register (PADR) .....                    | 508        |
| 20.2  | Port B .....   | 508        |
| 20.2.1  | Register Description .....                           | 509        |
| 20.2.2  | Port B Data Register (PBDR).....                     | 509        |

|                          |   |     |
|--------------------------|---|-----|
| 20.3                     | Port C                                      | 510 |
| 20.3.1                   | Register Description                        | 510 |
| 20.3.2                   | Port C Data Register (PCDR)                 | 510 |
| 20.4                     | Port D                                      | 511 |
| 20.4.1                   | Register Description                        | 511 |
| 20.4.2                   | Port D Data Register (PDDR)                 | 511 |
| 20.5                     | Port E                                      | 513 |
| 20.5.1                   | Register Description                        | 513 |
| 20.5.2                   | Port E Data Register (PEDR)                 | 513 |
| 20.6                     | Port F                                      | 514 |
| 20.6.1                   | Register Description                        | 514 |
| 20.6.2                   | Port F Data Register (PFDR)                 | 514 |
| 20.7                     | Port G                                      | 515 |
| 20.7.1                   | Register Description                        | 515 |
| 20.7.2                   | Port G Data Register (PGDR)                 | 516 |
| 20.8                     | Port H                                      | 516 |
| 20.8.1                   | Register Description                        | 517 |
| 20.8.2                   | Port H Data Register (PHDR)                 | 517 |
| 20.9                     | Port J                                      | 518 |
| 20.9.1                   | Register Description                        | 518 |
| 20.9.2                   | Port J Data Register (PJDR)                 | 518 |
| 20.10                    | Port K                                      | 519 |
| 20.10.1                  | Register Description                        | 519 |
| 20.10.2                  | Port K Data Register (PKDR)                 | 519 |
| 20.11                    | Port L                                      | 520 |
| 20.11.1                  | Register Description                        | 520 |
| 20.11.2                  | Port L Data Register (PLDR)                 | 521 |
| 20.12                    | Port M                                      | 521 |
| 20.12.1                  | Register Description                        | 522 |
| 20.12.2                  | Port M Data Register (PMDR)                 | 522 |
| 20.13                    | Port N                                      | 523 |
| 20.13.1                  | Register Description                        | 523 |
| 20.13.2                  | Port N Data Register (PNDR)                 | 523 |
| 20.14                    | SC Port                                     | 524 |
| 20.14.1                  | Register Description                        | 525 |
| 20.14.2                  | Port SC Data Register (SCPDR)               | 525 |
| Section 21 A/D Converter |   | 527 |
| 21.1                     | Features                                    | 527 |
| 21.2                     | Input/Output Pins                           | 529 |
| 21.3                     | Register Descriptions                       | 529 |
| 21.3.1                   | A/D Data Registers A to D (ADDRA to ADDR D) | 530 |
| 21.3.2                   | A/D Control/Status Registers (ADCSR)        | 530 |

|                   |  |            |
|-------------------|--|------------|
| 21.4              | Operation.....                               | 533        |
| 21.4.1            | Single Mode .....                            | 533        |
| 21.4.2            | Multi Mode.....                              | 533        |
| 21.4.3            | Scan Mode.....                               | 534        |
| 21.4.4            | Input Sampling and A/D Conversion Time ..... | 534        |
| 21.5              | Interrupts and DMAC Transfer Request.....    | 536        |
| 21.6              | Definitions of A/D Conversion Accuracy ..... | 536        |
| 21.7              | Usage Notes.....                             | 538        |
| 21.7.1            | Allowable Signal-Source Impedance .....      | 538        |
| 21.7.2            | Influence to Absolute Accuracy .....         | 538        |
| 21.7.3            | Setting Analog Input Voltage.....            | 538        |
| 21.7.4            | Notes on Board Design.....                   | 539        |
| 21.7.5            | Notes on Countermeasures to Noise.....       | 539        |
| <b>Section 22</b> | <b>User Break Controller .....</b>           | <b>541</b> |
| 22.1              | Features .....                               | 541        |
| 22.2              | Register Descriptions .....                  | 543        |
| 22.2.1            | Break Address Register A (BARA) .....        | 543        |
| 22.2.2            | Break Address Mask Register A (BAMRA).....   | 544        |
| 22.2.3            | Break Bus Cycle Register A (BBRA) .....      | 544        |
| 22.2.4            | Break Address Register B (BARB).....         | 545        |
| 22.2.5            | Break Address Mask Register B (BAMRB).....   | 546        |
| 22.2.6            | Break Data Register B (BDRB) .....           | 546        |
| 22.2.7            | Break Data Mask Register B (BDMRB).....      | 547        |
| 22.2.8            | Break Bus Cycle Register B (BBRB).....       | 547        |
| 22.2.9            | Break Control Register (BRCR).....           | 549        |
| 22.2.10           | Execution Times Break Register (BETR) .....  | 552        |
| 22.2.11           | Branch Source Register (BRSR) .....          | 553        |
| 22.2.12           | Branch Destination Register (BRDR) .....     | 554        |
| 22.2.13           | Break ASID Register A (BASRA).....           | 554        |
| 22.2.14           | Break ASID Register B (BASRB) .....          | 555        |
| 22.3              | Operation.....                               | 555        |
| 22.3.1            | Flow of the User Break Operation.....        | 555        |
| 22.3.2            | Break on Instruction Fetch Cycle .....       | 557        |
| 22.3.3            | Break on Data Access Cycle .....             | 558        |
| 22.3.4            | Sequential Break .....                       | 559        |
| 22.3.5            | Value of Saved Program Counter.....          | 559        |
| 22.3.6            | PC Trace.....                                | 561        |
| 22.3.7            | Usage Examples .....                         | 562        |
| 22.3.8            | Notes .....                                  | 566        |
| <b>Section 23</b> | <b>User Debugging Interface (UDI) .....</b>  | <b>567</b> |
| 23.1              | Features .....                               | 567        |

|  |  |     |
|--|--|-----|
| 23.2                                       | Input/Output Pins.....   | 568 |
| 23.3                                       | Register Descriptions.....   | 569 |
| 23.3.1                                     | Bypass Register (SDBPR).....   | 569 |
| 23.3.2                                     | Instruction Register (SDIR).....   | 569 |
| 23.3.3                                     | Boundary Scan Register (SDBSR).....  | 570 |
| 23.3.4                                     | ID Register (SDID).....  | 577 |
| 23.4                                       | Operation.....   | 578 |
| 23.4.1                                     | TAP Controller.....  | 578 |
| 23.4.2                                     | Reset Configuration.....   | 579 |
| 23.4.3                                     | TDO Output Timing.....   | 579 |
| 23.4.4                                     | UDI Reset.....   | 580 |
| 23.4.5                                     | UDI Interrupt.....   | 580 |
| 23.5                                       | Boundary Scan.....   | 581 |
| 23.5.1                                     | Supported Instructions.....  | 581 |
| 23.5.2                                     | Points for Attention.....  | 582 |
| 23.6                                       | Usage Notes.....   | 583 |
| 23.7                                       | Advanced User Debugger (AUD).....  | 583 |
| Section 24 List of Registers.....          |  | 585 |
| 24.1                                       | Register Addresses<br>(by functional module, in order of the corresponding section numbers)..... | 586 |
| 24.2                                       | Register Bits.....   | 595 |
| 24.3                                       | Register States in Each Operating Mode.....  | 614 |
| Section 25 Electrical Characteristics..... |  | 623 |
| 25.1                                       | Absolute Maximum Ratings.....  | 623 |
| 25.2                                       | DC Characteristics.....  | 625 |
| 25.3                                       | AC Characteristics.....  | 630 |
| 25.3.1                                     | Clock Timing.....  | 631 |
| 25.3.2                                     | Control Signal Timing.....   | 636 |
| 25.3.3                                     | AC Bus Timing.....   | 638 |
| 25.3.4                                     | Basic Timing.....  | 640 |
| 25.3.5                                     | Burst ROM Timing.....  | 645 |
| 25.3.6                                     | Synchronous DRAM Timing.....   | 646 |
| 25.3.7                                     | DMAC Signal Timing.....  | 668 |
| 25.3.8                                     | TMU Signal Timing.....   | 669 |
| 25.3.9                                     | RTC Signal Timing.....   | 670 |
| 25.3.10                                    | 16-Bit Timer Pulse Unit (TPU) Signal Timing.....   | 670 |
| 25.3.11                                    | SCIF Module Signal Timing.....   | 671 |
| 25.3.12                                    | USB Module Signal Timing.....  | 672 |
| 25.3.13                                    | USB Transceiver Timing.....  | 673 |
| 25.3.14                                    | Port Input/Output Timing.....  | 674 |
| 25.3.15                                    | UDI Related Pin Timing.....  | 675 |

|  |     |
|--|-----|
| 25.3.16 AC Characteristics Measurement Conditions..... | 677 |
| 25.4 A/D Converter Characteristics .....               | 678 |
| Appendix .....   | 679 |
| A. I/O Port States in Each Processing State .....      | 679 |
| B. Package Dimensions.....                             | 685 |
| Index .....  | 687 |



# Figures

## Section 1 Overview

|            |                                |   |
|------------|--------------------------------|---|
| Figure 1.1 | Block Diagram of SH7705.....   | 6 |
| Figure 1.2 | Pin Assignment (FP-208C).....  | 7 |
| Figure 1.3 | Pin Assignment (TBP-208A)..... | 8 |

## Section 2 CPU

|            |  |    |
|------------|--|----|
| Figure 2.1 | Processing State Transitions .....                     | 26 |
| Figure 2.2 | Logical Address to External Memory Space Mapping ..... | 29 |
| Figure 2.3 | Register Configuration in Each Processing Mode .....   | 31 |
| Figure 2.4 | General Registers .....                                | 33 |
| Figure 2.5 | System Registers and Program Counter .....             | 34 |
| Figure 2.6 | Control Register Configuration.....                    | 37 |
| Figure 2.7 | Data Format on Memory (Big Endian Mode).....           | 38 |
| Figure 2.8 | Data Format on Memory (Little Endian Mode).....        | 39 |

## Section 3 Memory Management Unit (MMU)

|             |   |    |
|-------------|---|----|
| Figure 3.1  | MMU Functions.....  | 66 |
| Figure 3.2  | Virtual Address Space (MMUCR.AT = 1) .....                    | 68 |
| Figure 3.3  | Virtual Address Space (MMUCR.AT = 0) .....                    | 69 |
| Figure 3.4  | P4 Area .....   | 69 |
| Figure 3.5  | External Memory Space.....                                    | 70 |
| Figure 3.6  | Overall Configuration of the TLB .....                        | 75 |
| Figure 3.7  | Virtual Address and TLB Structure .....                       | 76 |
| Figure 3.8  | TLB Indexing (IX = 1).....                                    | 77 |
| Figure 3.9  | TLB Indexing (IX = 0).....                                    | 78 |
| Figure 3.10 | Objects of Address Comparison .....                           | 79 |
| Figure 3.11 | Operation of LDTLB Instruction .....                          | 82 |
| Figure 3.12 | Synonym Problem (32-kbyte Cache).....                         | 84 |
| Figure 3.13 | MMU Exception Generation Flowchart.....                       | 89 |
| Figure 3.14 | Specifying Address and Data for Memory-Mapped TLB Access..... | 91 |

## Section 4 Cache

|            |  |     |
|------------|--|-----|
| Figure 4.1 | Cache Structure (32-kbyte Mode).....   | 94  |
| Figure 4.2 | Cache Search Scheme .....  | 101 |
| Figure 4.3 | Write-Back Buffer Configuration .....  | 103 |
| Figure 4.4 | Specifying Address and Data for Memory-Mapped Cache Access<br>(32-kbyte Mode)..... | 106 |

## Section 5 Exception Handling

|            |                                  |     |
|------------|----------------------------------|-----|
| Figure 5.1 | Register Bit Configuration ..... | 110 |
|------------|----------------------------------|-----|

## Section 6 Interrupt Controller (INTC)

|            |                             |     |
|------------|-----------------------------|-----|
| Figure 6.1 | Block Diagram of INTC ..... | 126 |
|------------|-----------------------------|-----|

|   |   |     |
|---|---|-----|
| Figure 6.2                                  | Example of IRL Interrupt Connection .....   | 137 |
| Figure 6.3                                  | Interrupt Operation Flowchart .....   | 146 |
| <b>Section 7 Bus State Controller (BSC)</b> |   |     |
| Figure 7.1                                  | BSC Functional Block Diagram .....  | 150 |
| Figure 7.2                                  | Address Space.....  | 154 |
| Figure 7.3                                  | Continuous Access for Normal Space (No Wait, WM Bit in CSnWCR = 1,<br>16-Bit Bus Width, Longword Access, No Wait State between Cycles).....                 | 188 |
| Figure 7.4                                  | Continuous Access for Normal Space (No Wait, One Wait State between Cycles) ..  | 189 |
| Figure 7.5                                  | Example of 32-Bit Data-Width SRAM Connection .....  | 190 |
| Figure 7.6                                  | Example of 16-Bit Data-Width SRAM Connection .....  | 191 |
| Figure 7.7                                  | Example of 8-Bit Data-Width SRAM Connection .....   | 191 |
| Figure 7.8                                  | Wait Timing for Normal Space Access (Software Wait Only).....   | 192 |
| Figure 7.9                                  | Wait State Timing for Normal Space Access<br>(Wait State Insertion by $\overline{\text{WAIT}}$ Signal).....   | 193 |
| Figure 7.10                                 | $\overline{\text{CSn}}$ Assert Period Expansion .....   | 194 |
| Figure 7.11                                 | Access Timing for MPX Space (Address Cycle No Wait, Data Cycle No Wait)....   | 195 |
| Figure 7.12                                 | Access Timing for MPX Space (Address Cycle Wait 1, Data Cycle No Wait).....   | 196 |
| Figure 7.13                                 | Access Timing for MPX Space (Address Cycle Access Wait 1,<br>Data Cycle Wait 1, External Wait 1).....   | 197 |
| Figure 7.14                                 | Example of 64-MBit Synchronous DRAM Connection (32-Bit Data Bus).....   | 199 |
| Figure 7.15                                 | Example of 64-MBit Synchronous DRAM (16-Bit Data Bus) .....   | 200 |
| Figure 7.16                                 | Synchronous DRAM Burst Read Wait Specification Timing (Auto Precharge).....   | 213 |
| Figure 7.17                                 | Basic Timing for Single Read (Auto Precharge) .....   | 214 |
| Figure 7.18                                 | Basic Timing for Synchronous DRAM Burst Write (Auto Precharge) .....  | 216 |
| Figure 7.19                                 | Basic Timing for Single Write (Auto Precharge) .....  | 217 |
| Figure 7.20                                 | Burst Read Timing (No Auto Precharge) .....   | 219 |
| Figure 7.21                                 | Burst Read Timing (Bank Active, Same Row Address).....  | 220 |
| Figure 7.22                                 | Burst Read Timing (Bank Active, Different Row Addresses).....   | 221 |
| Figure 7.23                                 | Single Write Timing (No Auto Precharge).....  | 222 |
| Figure 7.24                                 | Single Write Timing (Bank Active, Same Row Address) .....   | 223 |
| Figure 7.25                                 | Single Write Timing (Bank Active, Different Row Addresses) .....  | 224 |
| Figure 7.26                                 | Auto-Refresh Timing.....  | 226 |
| Figure 7.27                                 | Self-Refresh Timing .....   | 227 |
| Figure 7.28                                 | Low-Frequency Mode Access Timing.....   | 228 |
| Figure 7.29                                 | Synchronous DRAM Mode Write Timing (Based on JEDEC) .....   | 231 |
| Figure 7.30                                 | Burst ROM Access (Bus Width 8 Bits, Access Size 32 Bits (Number of Burst 4),<br>Access Wait for the 1st Time 2, Access Wait for 2nd Time and after 1) ..... | 232 |
| Figure 7.31                                 | Byte-Selection SRAM Basic Access Timing.....  | 233 |
| Figure 7.32                                 | Example of Connection with 32-Bit Data-Width Byte-Selection SRAM.....   | 234 |
| Figure 7.33                                 | Example of Connection with 16-Bit Data-Width Byte-Selection SRAM.....   | 234 |
| Figure 7.34                                 | Bus Arbitration .....   | 237 |

|   |   |
|---|---|
| <b>Section 8 Direct Memory Access Controller (DMAC)</b> |   |
| Figure 8.1  | Block Diagram of DMAC..... 240  |
| Figure 8.2  | DMAC Transfer Flowchart..... 253  |
| Figure 8.3  | Round-Robin Mode ..... 258  |
| Figure 8.4  | Channel Priority in Round-Robin Mode ..... 259  |
| Figure 8.5  | Data Flow of Dual Address Mode ..... 261  |
| Figure 8.6  | Example of DMA Transfer Timing in Dual Mode<br>(Source: Ordinary Memory, Destination: Ordinary Memory)..... 262 |
| Figure 8.7  | Data Flow in Single Address Mode ..... 263  |
| Figure 8.8  | Example of DMA Transfer Timing in Single Address Mode ..... 263   |
| Figure 8.9  | DMA Transfer Example in Cycle-Steal Normal Mode<br>(Dual Address, DREQ Low Level Detection)..... 264            |
| Figure 8.10   | Example of DMA Transfer in Cycle Steal Intermittent Mode<br>(Dual Address, DREQ Low Level Detection)..... 265   |
| Figure 8.11   | DMA Transfer Example in Burst Mode<br>(Dual Address, DREQ Low Level Detection)..... 265                         |
| Figure 8.12   | Bus State when Multiple Channels are Operating..... 267   |
| Figure 8.13   | Example of DREQ Input Detection in Cycle Steal Mode Edge Detection ..... 267                                    |
| Figure 8.14   | Example of DREQ Input Detection in Cycle Steal Mode Level Detection ..... 268                                   |
| Figure 8.15   | Example of DREQ Input Detection in Burst Mode Edge Detection..... 268   |
| Figure 8.16   | Example of DREQ Input Detection in Burst Mode Level Detection..... 269  |
| Figure 8.17   | Example of DMA Transfer End Signal (in Cycle Steal Level Detection) ..... 269                                   |
| Figure 8.18   | BSC Ordinary Memory Access<br>(No Wait, Idle Cycle 1, Longword Access to 16-Bit Device)..... 270                |
| <b>Section 9 Clock Pulse Generator (CPG)</b>            |   |
| Figure 9.1  | Block Diagram of Clock Pulse Generator..... 272   |
| Figure 9.2  | Points for Attention when Using Crystal Resonator ..... 283   |
| Figure 9.3  | Points for Attention when Using PLL Oscillator Circuit..... 284   |
| <b>Section 10 Watchdog Timer (WDT)</b>                  |   |
| Figure 10.1   | Block Diagram of WDT..... 286   |
| Figure 10.2   | Writing to WTCNT and WTCSR ..... 290  |
| <b>Section 11 Power-Down Modes</b>                      |   |
| Figure 11.1   | Canceling Standby Mode with STBY Bit in STBCR ..... 301   |
| Figure 11.2   | Power-On Reset STATUS Output ..... 303  |
| Figure 11.3   | Manual Reset STATUS Output ..... 303  |
| Figure 11.4   | Canceling Software Standby by Interrupt STATUS Output ..... 304   |
| Figure 11.5   | Canceling Software Standby by Power-On Reset STATUS Output..... 304   |
| Figure 11.6   | Canceling Software Standby by Manual Reset STATUS Output..... 305   |
| Figure 11.7   | Canceling Sleep by Interrupt STATUS Output..... 305   |
| Figure 11.8   | Canceling Sleep by Power-On Reset STATUS Output ..... 306   |
| Figure 11.9   | Canceling Sleep by Manual Reset STATUS Output..... 306  |

|              |   |     |
|--------------|---|-----|
| Figure 11.10 | Hardware Standby Mode (When CA Goes Low in Normal Operation)  | 307 |
| Figure 11.11 | Hardware Standby Mode Timing (When CA Goes Low during WDT Operation while Standby Mode Is Canceled) | 307 |

## Section 12 Timer Unit (TMU)

|             |   |     |
|-------------|---|-----|
| Figure 12.1 | TMU Block Diagram   | 310 |
| Figure 12.2 | Setting Count Operation   | 318 |
| Figure 12.3 | Auto-Reload Count Operation   | 319 |
| Figure 12.4 | Count Timing when Internal Clock Is Operating                               | 319 |
| Figure 12.5 | Count Timing when External Clock Is Operating (Both Edges Detected)         | 320 |
| Figure 12.6 | Operation Timing when Using Input Capture Function (Using TCLK Rising Edge) | 320 |
| Figure 12.7 | UNF Set Timing  | 321 |
| Figure 12.8 | Status Flag Clear Timing  | 321 |

## Section 13 Compare Match Timer (CMT)

|             |                   |     |
|-------------|-------------------|-----|
| Figure 13.1 | CMT Block Diagram | 323 |
| Figure 13.2 | Counter Operation | 326 |
| Figure 13.3 | Count Timing      | 327 |
| Figure 13.4 | CMF Set Timing    | 327 |

## Section 14 16-Bit Timer Pulse Unit (TPU)

|              |   |     |
|--------------|---|-----|
| Figure 14.1  | Block Diagram of TPU  | 331 |
| Figure 14.2  | Example of Counter Operation Setting Procedure                    | 343 |
| Figure 14.3  | Free-Running Counter Operation                                    | 344 |
| Figure 14.4  | Periodic Counter Operation  | 344 |
| Figure 14.5  | Example of Setting Procedure for Waveform Output by Compare Match | 345 |
| Figure 14.6  | Example of 0 Output/1 Output Operation                            | 345 |
| Figure 14.7  | Example of Toggle Output Operation                                | 346 |
| Figure 14.8  | Compare Match Buffer Operation                                    | 346 |
| Figure 14.9  | Example of Buffer Operation Setting Procedure                     | 347 |
| Figure 14.10 | Example of Buffer Operation                                       | 348 |
| Figure 14.11 | Example of PWM Mode Setting Procedure                             | 349 |
| Figure 14.12 | Example of PWM Mode Operation (1)                                 | 350 |
| Figure 14.13 | Examples of PWM Mode Operation (2)                                | 350 |

## Section 15 Realtime Clock (RTC)

|             |  |     |
|-------------|--|-----|
| Figure 15.1 | RTC Block Diagram                                | 352 |
| Figure 15.2 | Setting Time                                     | 369 |
| Figure 15.3 | Reading the Time                                 | 370 |
| Figure 15.4 | Using the Alarm Function                         | 371 |
| Figure 15.5 | Example of Crystal Oscillator Circuit Connection | 372 |
| Figure 15.6 | Using Periodic Interrupt Function                | 373 |

## Section 16 Serial Communication Interface with FIFO (SCIF)

|             |                       |     |
|-------------|-----------------------|-----|
| Figure 16.1 | Block Diagram of SCIF | 377 |
|-------------|-----------------------|-----|

|              |   |     |
|--------------|---|-----|
| Figure 16.2  | Sample SCIF Initialization Flowchart.....   | 406 |
| Figure 16.3  | Sample Serial Transmission Flowchart.....   | 407 |
| Figure 16.4  | Example of Transmit Operation<br>(Example with 8-Bit Data, Parity, One Stop Bit).....                             | 409 |
| Figure 16.5  | Example of Transmit Data Stop Function.....   | 409 |
| Figure 16.6  | Transmit Data Stop Function Flowchart.....  | 410 |
| Figure 16.7  | Sample Serial Reception Flowchart (1).....  | 411 |
| Figure 16.8  | Sample Serial Reception Flowchart (2).....  | 412 |
| Figure 16.9  | Example of SCIF Receive Operation<br>(Example with 8-Bit Data, Parity, One Stop Bit).....                         | 414 |
| Figure 16.10 | $\overline{\text{CTS}}$ Control Operation.....  | 414 |
| Figure 16.11 | $\overline{\text{RTS}}$ Control Operation.....  | 415 |
| Figure 16.12 | Data Format in Clock Synchronous Communication.....   | 416 |
| Figure 16.13 | Sample SCIF Initialization Flowchart (1) (Transmission).....  | 418 |
| Figure 16.13 | Sample SCIF Initialization Flowchart (2) (Reception).....   | 419 |
| Figure 16.13 | Sample SCIF Initialization Flowchart (3)<br>(Simultaneous Transmission and Reception).....                        | 420 |
| Figure 16.14 | Sample Serial Transmission Flowchart (1)<br>(First Transmission after Initialization).....                        | 421 |
| Figure 16.14 | Sample Serial Transmission Flowchart (2)<br>(Second and Subsequent Transmission).....                             | 421 |
| Figure 16.15 | Sample Serial Reception Flowchart (1) (First Reception after Initialization).....                                 | 422 |
| Figure 16.15 | Sample Serial Reception Flowchart (2) (Second and Subsequent Reception).....                                      | 423 |
| Figure 16.16 | Sample Simultaneous Serial Transmission and Reception Flowchart (1)<br>(First Transfer after Initialization)..... | 424 |
| Figure 16.16 | Sample Simultaneous Serial Transmission and Reception Flowchart (2)<br>(Second and Subsequent Transfer).....      | 425 |

## Section 17 Infrared Data Association Module (IrDA)

|             |                                 |     |
|-------------|---------------------------------|-----|
| Figure 17.1 | Block Diagram of IrDA.....      | 431 |
| Figure 17.2 | Transmit/Receive Operation..... | 435 |

## Section 18 USB Function Module

|              |   |     |
|--------------|---|-----|
| Figure 18.1  | Block Diagram of USB.....                 | 438 |
| Figure 18.2  | Cable Connection Operation.....           | 454 |
| Figure 18.3  | Cable Disconnection Operation.....        | 455 |
| Figure 18.4  | Transfer Stages in Control Transfer.....  | 455 |
| Figure 18.5  | Setup Stage Operation.....                | 456 |
| Figure 18.6  | Data Stage (Control-In) Operation.....    | 457 |
| Figure 18.7  | Data Stage (Control-Out) Operation.....   | 458 |
| Figure 18.8  | Status Stage (Control-In) Operation.....  | 459 |
| Figure 18.9  | Status Stage (Control-Out) Operation..... | 460 |
| Figure 18.10 | EP1 Bulk-Out Transfer Operation.....      | 461 |
| Figure 18.11 | EP2 Bulk-In Transfer Operation.....       | 462 |

|              |  |     |
|--------------|--|-----|
| Figure 18.12 | Operation of EP3 Interrupt-In Transfer .....                                   | 463 |
| Figure 18.13 | Forcible Stall by Application .....  | 466 |
| Figure 18.14 | Automatic Stall by USB Function Module .....                                   | 467 |
| Figure 18.15 | RDFN Bit Operation for EP1 .....   | 468 |
| Figure 18.16 | PKTE Bit Operation for EP2 .....   | 469 |
| Figure 18.17 | Example of USB Function Module External Circuitry (Internal Transceiver) ..... | 471 |
| Figure 18.18 | Example of USB Function Module External Circuitry (External Transceiver) ..... | 472 |
| Figure 18.19 | TR Interrupt Flag Set Timing .....   | 474 |

## Section 20 I/O Ports

|              |               |     |
|--------------|---------------|-----|
| Figure 20.1  | Port A .....  | 507 |
| Figure 20.2  | Port B .....  | 508 |
| Figure 20.3  | Port C .....  | 510 |
| Figure 20.4  | Port D .....  | 511 |
| Figure 20.5  | Port E .....  | 513 |
| Figure 20.6  | Port F .....  | 514 |
| Figure 20.7  | Port G .....  | 515 |
| Figure 20.8  | Port H .....  | 516 |
| Figure 20.9  | Port J .....  | 518 |
| Figure 20.10 | Port K .....  | 519 |
| Figure 20.11 | Port L .....  | 520 |
| Figure 20.12 | Port M .....  | 521 |
| Figure 20.13 | Port N .....  | 523 |
| Figure 20.14 | SC Port ..... | 524 |

## Section 21 A/D Converter

|             |  |     |
|-------------|--|-----|
| Figure 21.1 | Block Diagram of A/D Converter .....             | 528 |
| Figure 21.2 | A/D Conversion Timing .....                      | 535 |
| Figure 21.3 | Definitions of A/D Conversion Accuracy .....     | 537 |
| Figure 21.4 | Definitions of A/D Conversion Accuracy .....     | 537 |
| Figure 21.5 | Analog Input Circuit Example .....               | 538 |
| Figure 21.6 | Example of Analog Input Protection Circuit ..... | 539 |
| Figure 21.7 | Analog Input Pin Equivalent Circuit .....        | 540 |

## Section 22 User Break Controller

|             |  |     |
|-------------|--|-----|
| Figure 22.1 | Block Diagram of User Break Controller ..... | 542 |
|-------------|--|-----|

## Section 23 User Debugging Interface (UDI)

|             |  |     |
|-------------|--|-----|
| Figure 23.1 | Block Diagram of UDI .....             | 567 |
| Figure 23.2 | TAP Controller State Transitions ..... | 578 |
| Figure 23.3 | UDI Data Transfer Timing .....         | 580 |
| Figure 23.4 | UDI Reset .....                        | 580 |

## Section 25 Electrical Characteristics

|             |                                |     |
|-------------|--------------------------------|-----|
| Figure 25.1 | Power On/Off Sequence .....    | 624 |
| Figure 25.2 | EXTAL Clock Input Timing ..... | 632 |

|              |   |     |
|--------------|---|-----|
| Figure 25.3  | CKIO Clock Input Timing .....   | 632 |
| Figure 25.4  | CKIO Clock Output Timing .....  | 632 |
| Figure 25.5  | Power-On Oscillation Settling Time.....   | 633 |
| Figure 25.6  | Oscillation Settling Time at Standby Return (Return by Reset) .....   | 633 |
| Figure 25.7  | Oscillation Settling Time at Standby Return (Return by NMI) .....   | 633 |
| Figure 25.8  | Oscillation Settling Time at Standby Return<br>(Return by IRQ5 to IRQ0, PINT15 to PINT0, and $\overline{\text{IRL3}}$ to $\overline{\text{IRL0}}$ ) ..... | 634 |
| Figure 25.9  | PLL Synchronization Settling Time by Reset or NMI.....  | 634 |
| Figure 25.10 | PLL Synchronization Settling Time by IRQ/IRL, PINT Interrupts .....   | 635 |
| Figure 25.11 | PLL Synchronization Settling Time when Frequency Multiplication<br>Ratio Modified .....   | 635 |
| Figure 25.12 | Reset Input Timing .....  | 637 |
| Figure 25.13 | Interrupt Signal Input Timing .....   | 637 |
| Figure 25.14 | Bus Release Timing .....  | 637 |
| Figure 25.15 | Pin Drive Timing at Standby .....   | 638 |
| Figure 25.16 | Basic Bus Cycle (No Wait).....  | 640 |
| Figure 25.17 | Basic Bus Cycle (One Software Wait).....  | 641 |
| Figure 25.18 | Basic Bus Cycle (One External Wait).....  | 642 |
| Figure 25.19 | Basic Bus Cycle (One Software Wait, External Wait Enabled (WM Bit = 0),<br>No Idle Cycle Setting).....  | 643 |
| Figure 25.20 | Address/Data Multiplex I/O Bus Cycle<br>(Three Address Cycles, One Software Wait, One External Wait).....   | 644 |
| Figure 25.21 | Burst ROM Read Cycle<br>(One Access Wait, One External Wait, One Burst Wait, Two Bursts).....   | 645 |
| Figure 25.22 | Synchronous DRAM Single Read Bus Cycle<br>(Auto Precharge, CAS Latency = 2, TRCD = 1 Cycle, TRP = 1 Cycle).....   | 646 |
| Figure 25.23 | Synchronous DRAM Single Read Bus Cycle<br>(Auto Precharge, CAS Latency = 2, TRCD = 2 Cycle, TRP = 2 Cycle).....   | 647 |
| Figure 25.24 | Synchronous DRAM Burst Read Bus Cycle (Single Read $\times$ 4),<br>(Auto Precharge, CAS Latency = 2, TRCD = 1 Cycle, TRP = 2 Cycle).....                  | 648 |
| Figure 25.25 | Synchronous DRAM Burst Read Bus Cycle (Single Read $\times$ 4),<br>(Auto Precharge, CAS Latency = 2, TRCD = 2 Cycle, TRP = 1 Cycle).....                  | 649 |
| Figure 25.26 | Synchronous DRAM Single Write Bus Cycle<br>(Auto Precharge, TRWL = 2 Cycle).....  | 650 |
| Figure 25.27 | Synchronous DRAM Single Write Bus Cycle<br>(Auto Precharge, TRCD = 3 Cycle, TRWL = 2 Cycle).....  | 651 |
| Figure 25.28 | Synchronous DRAM Burst Write Bus Cycle (Single Write $\times$ 4),<br>(Auto Precharge, TRCD = 1 Cycle, TRWL = 2 Cycle).....                                | 652 |
| Figure 25.29 | Synchronous DRAM Burst Write Bus Cycle (Single Write $\times$ 4),<br>(Auto Precharge, TRCD = 2 Cycle, TRWL = 2 Cycle).....                                | 653 |
| Figure 25.30 | Synchronous DRAM Burst Read Bus Cycle (Single Read $\times$ 4)<br>(Bank Active Mode: ACTV + READ Commands, CAS Latency = 2,<br>TRCD = 1 Cycle) .....      | 654 |

|              |   |     |
|--------------|---|-----|
| Figure 25.31 | Synchronous DRAM Burst Read Bus Cycle (Single Read × 4)<br>(Bank Active Mode: READ Command, Same Row Address,<br>CAS Latency = 2, TRCD = 1 Cycle).....                      | 655 |
| Figure 25.32 | Synchronous DRAM Burst Read Bus Cycle (Single Read × 4)<br>(Bank Active Mode: PRE + ACTV + READ Commands,<br>Different Row Address, CAS Latency = 2, TRCD = 1 Cycle).....   | 656 |
| Figure 25.33 | Synchronous DRAM Burst Write Bus Cycle (Single Write × 4)<br>(Bank Active Mode: ACTV + WRITE Commands, TRCD = 1 Cycle,<br>TRWL = 1 Cycle).....                              | 657 |
| Figure 25.34 | Synchronous DRAM Burst Write Bus Cycle (Single Write × 4)<br>(Bank Active Mode: WRITE Command, Same Row Address,<br>TRCD = 1 Cycle, TRWL = 1 Cycle).....                    | 658 |
| Figure 25.35 | Synchronous DRAM Burst Write Bus Cycle (Single Write × 4)<br>(Bank Active Mode: PRE + ACTV + WRITE Commands,<br>Different Row Address, TRCD = 1 Cycle, TRWL = 1 Cycle)..... | 659 |
| Figure 25.36 | Synchronous DRAM Auto-Refresh Timing (TRP = 2 Cycle).....   | 660 |
| Figure 25.37 | Synchronous DRAM Self-Refresh Timing (TRP = 2 Cycle) .....  | 661 |
| Figure 25.38 | Synchronous DRAM Mode Register Write Timing (TRP = 2 Cycle).....  | 662 |
| Figure 25.39 | Access Timing in Low-Frequency Mode (Auto Precharge) .....  | 664 |
| Figure 25.40 | Synchronous DRAM Auto-Refresh Timing<br>(TRP = 2 Cycle, Low-Frequency Mode).....  | 665 |
| Figure 25.41 | Synchronous DRAM Self-Refresh Timing<br>(TRP = 2 Cycle, Low-Frequency Mode).....  | 666 |
| Figure 25.42 | Synchronous DRAM Mode Register Write Timing<br>(TRP = 2 Cycle, Low-Frequency Mode).....   | 667 |
| Figure 25.43 | DREQ Input Timing .....   | 668 |
| Figure 25.44 | DACK, TEND Output Timing.....   | 668 |
| Figure 25.45 | TCLK Input Timing.....  | 669 |
| Figure 25.46 | TCLK Clock Input Timing .....   | 669 |
| Figure 25.47 | Oscillation Settling Time when RTC Crystal Oscillator Is Turned On.....   | 670 |
| Figure 25.48 | TPU Output Timing.....  | 670 |
| Figure 25.49 | SCK Input Clock Timing.....   | 671 |
| Figure 25.50 | SCIF Input/Output Timing in Clock Synchronous Mode.....   | 672 |
| Figure 25.51 | USB Clock Timing .....  | 672 |
| Figure 25.52 | Oscillation Settling Time when USB Crystal Oscillator Is Turned On.....   | 673 |
| Figure 25.53 | I/O Port Timing.....  | 674 |
| Figure 25.54 | TCK Input Timing .....  | 675 |
| Figure 25.55 | $\overline{\text{TRST}}$ Input Timing (Reset Hold).....   | 676 |
| Figure 25.56 | UDI Data Transfer Timing.....   | 676 |
| Figure 25.57 | ASEMD0 Input Timing .....   | 676 |
| Figure 25.58 | Output Load Circuit.....  | 677 |



## Appendix

|            |                                     |     |
|------------|-------------------------------------|-----|
| Figure B.1 | Package Dimensions (FP-208C) .....  | 685 |
| Figure B.2 | Package Dimensions (TBP-208A) ..... | 686 |

# Tables

## Section 1 Overview

|           |                       |    |
|-----------|-----------------------|----|
| Table 1.1 | SH7705 Features ..... | 2  |
| Table 1.2 | Pin Functions .....   | 9  |
| Table 1.3 | Pin Functions .....   | 17 |

## Section 2 CPU

|            |   |    |
|------------|---|----|
| Table 2.1  | Logical Address Space .....   | 28 |
| Table 2.2  | Register Initial Values .....                                       | 30 |
| Table 2.3  | Addressing Modes and Effective Addresses for CPU Instructions ..... | 42 |
| Table 2.4  | CPU Instruction Formats .....                                       | 45 |
| Table 2.5  | CPU Instruction Types .....   | 48 |
| Table 2.6  | Data Transfer Instructions .....                                    | 52 |
| Table 2.7  | Arithmetic Operation Instructions .....                             | 54 |
| Table 2.8  | Logic Operation Instructions .....                                  | 56 |
| Table 2.9  | Shift Instructions .....  | 57 |
| Table 2.10 | Branch Instructions .....   | 58 |
| Table 2.11 | System Control Instructions .....                                   | 59 |
| Table 2.12 | Operation Code Map .....  | 62 |

## Section 3 Memory Management Unit (MMU)

|           |   |    |
|-----------|---|----|
| Table 3.1 | Access States Designated by D, C, and PR Bits ..... | 80 |
|-----------|---|----|

## Section 4 Cache

|           |   |     |
|-----------|---|-----|
| Table 4.1 | Number of Entries and Size/Way in Each Cache Size .....                                   | 93  |
| Table 4.2 | LRU and Way Replacement (when Cache Locking Mechanism Is Disabled) .....                  | 95  |
| Table 4.3 | Way Replacement when a PREF Instruction Misses the Cache .....                            | 99  |
| Table 4.4 | Way Replacement when Instructions other than<br>the PREF Instruction Miss the Cache ..... | 99  |
| Table 4.5 | LRU and Way Replacement (when W2LOCK = 1 and W3LOCK = 0) .....                            | 99  |
| Table 4.6 | LRU and Way Replacement (when W2LOCK = 0 and W3LOCK = 1) .....                            | 99  |
| Table 4.7 | LRU and Way Replacement (when W2LOCK = 1 and W3LOCK = 1) .....                            | 100 |
| Table 4.8 | Address Format Based on Size of Cache to be Assigned to Memory .....                      | 106 |

## Section 5 Exception Handling

|           |                               |     |
|-----------|-------------------------------|-----|
| Table 5.1 | Exception Event Vectors ..... | 116 |
|-----------|-------------------------------|-----|

## Section 6 Interrupt Controller (INTC)

|           |  |     |
|-----------|--|-----|
| Table 6.1 | Pin Configuration .....  | 127 |
| Table 6.2 | Interrupt Sources and IPRA to IPRH .....                           | 128 |
| Table 6.3 | IRL3 to IRL0 Pins and Interrupt Levels .....                       | 138 |
| Table 6.4 | Interrupt Exception Handling Sources and Priority (IRQ Mode) ..... | 140 |

## Section 7 Bus State Controller (BSC)

|            |  |     |
|------------|--|-----|
| Table 7.1  | Pin Configuration .....  | 151 |
| Table 7.2  | Physical Address Space Map .....   | 152 |
| Table 7.3  | Correspondence between External Pins (MD3 and MD4) and Memory Size .....                     | 154 |
| Table 7.4  | 32-Bit External Device/Big Endian Access and Data Alignment .....                            | 181 |
| Table 7.5  | 16-Bit External Device/Big Endian Access and Data Alignment .....                            | 182 |
| Table 7.6  | 8-Bit External Device/Big Endian Access and Data Alignment .....                             | 183 |
| Table 7.7  | 32-Bit External Device/Little Endian Access and Data Alignment.....                          | 184 |
| Table 7.8  | 16-Bit External Device/Little Endian Access and Data Alignment.....                          | 185 |
| Table 7.9  | 8-Bit External Device/Little Endian Access and Data Alignment.....                           | 186 |
| Table 7.10 | Relationship between A2/3BSZ[1:0], A2/3ROW[1:0],<br>and Address Multiplex Output (1)-1 ..... | 201 |
| Table 7.11 | Relationship between A2/3BSZ[1:0], A2/3ROW[1:0],<br>and Address Multiplex Output (2)-1 ..... | 203 |
| Table 7.12 | Relationship between A2/3BSZ[1:0], A2/3ROW[1:0],<br>and Address Multiplex Output (3).....    | 205 |
| Table 7.13 | Relationship between A2/3BSZ[1:0], A2/3ROW[1:0],<br>and Address Multiplex Output (4)-1 ..... | 206 |
| Table 7.14 | Relationship between A2/3BSZ[1:0], A2/3ROW[1:0],<br>and Address Multiplex Output (5)-1 ..... | 208 |
| Table 7.15 | Relationship between A2/3BSZ[1:0], A2/3ROW[1:0],<br>and Address Multiplex Output (6)-1 ..... | 210 |
| Table 7.16 | Relationship between Access Size and Number of Bursts .....                                  | 212 |
| Table 7.17 | Access Address in SDRAM Mode Register Write.....   | 229 |
| Table 7.18 | Relationship between Bus Width, Access Size, and Number of Bursts .....                      | 232 |

## Section 8 Direct Memory Access Controller (DMAC)

|           |   |     |
|-----------|---|-----|
| Table 8.1 | Pin Configuration .....   | 241 |
| Table 8.2 | Transfer Request Sources .....  | 251 |
| Table 8.3 | Selecting External Request Modes with RS Bits.....                          | 254 |
| Table 8.4 | Selecting External Request Detection with DL, DS Bits.....                  | 255 |
| Table 8.5 | Selecting External Request Detection with DO Bit.....                       | 255 |
| Table 8.6 | Selecting On-Chip Peripheral Module Request Modes with RS3 to RS0 Bits..... | 256 |
| Table 8.7 | Selecting On-Chip Peripheral Module Request Modes with RS3 to RS0 Bits..... | 256 |
| Table 8.8 | Supported DMA Transfers .....   | 260 |
| Table 8.9 | Relationship of Request Modes and Bus Modes by DMA Transfer Category .....  | 266 |

## Section 9 Clock Pulse Generator (CPG)

|           |  |     |
|-----------|--|-----|
| Table 9.1 | Clock Pulse Generator Pins and Functions.....              | 274 |
| Table 9.2 | Clock Operating Modes.....                                 | 275 |
| Table 9.3 | Possible Combination of Clock Modes and FRQCR Values ..... | 276 |

## Section 11 Power-Down Modes

|            |                                  |     |
|------------|----------------------------------|-----|
| Table 11.1 | States of Power-Down Modes ..... | 294 |
|------------|----------------------------------|-----|

|   |  |     |
|---|--|-----|
| Table 11.2  | Pin Configuration .....  | 295 |
| <b>Section 12 Timer Unit (TMU)</b>                                |  |     |
| Table 12.1  | Pin Configuration .....  | 311 |
| Table 12.2  | TMU Interrupt Sources .....  | 322 |
| <b>Section 14 16-Bit Timer Pulse Unit (TPU)</b>                   |  |     |
| Table 14.1  | TPU Functions.....   | 330 |
| Table 14.2  | Pin Configuration .....  | 332 |
| Table 14.3  | TPU Clock Sources .....  | 335 |
| Table 14.4  | TPSC2 to TPSC0 (1).....  | 335 |
| Table 14.4  | TPSC2 to TPSC0 (2).....  | 335 |
| Table 14.4  | TPSC2 to TPSC0 (3).....  | 336 |
| Table 14.4  | TPSC2 to TPSC0 (4).....  | 336 |
| Table 14.5  | IOA2 to IOA0.....  | 338 |
| Table 14.6  | Register Combinations in Buffer Operation.....                     | 346 |
| <b>Section 15 Realtime Clock (RTC)</b>                            |  |     |
| Table 15.1  | Pin Configuration .....  | 353 |
| Table 15.2  | Recommended Oscillator Circuit Constants (Recommended Values)..... | 372 |
| <b>Section 16 Serial Communication Interface with FIFO (SCIF)</b> |  |     |
| Table 16.1  | Pin Configuration .....  | 378 |
| Table 16.2  | SCSMR Settings for Serial Transfer Format Selection .....          | 403 |
| Table 16.3  | Serial Transfer Formats .....                                      | 404 |
| Table 16.4  | SCIF Interrupt Sources.....  | 427 |
| <b>Section 17 Infrared Data Association Module (IrDA)</b>         |  |     |
| Table 17.1  | Pin Configuration .....  | 432 |
| <b>Section 18 USB Function Module</b>                             |  |     |
| Table 18.1  | Pin Configuration .....  | 439 |
| Table 18.2  | Command Decoding on Application Side .....                         | 464 |
| <b>Section 19 Pin Function Controller</b>                         |  |     |
| Table 19.1  | Multiplex Pins .....   | 475 |
| <b>Section 20 I/O Ports</b>                                       |  |     |
| Table 20.1  | Port A Data Register (PADR) Read/Write Operations.....             | 508 |
| Table 20.2  | Port B Data Register (PBDR) Read/Write Operations .....            | 509 |
| Table 20.3  | Port C Data Register (PCDR) Read/Write Operations .....            | 511 |
| Table 20.4  | Port D Data Register (PDDR) Read/Write Operations.....             | 512 |
| Table 20.5  | Port E Data Register (PEDR) Read/Write Operations .....            | 514 |
| Table 20.6  | Port F Data Register (PFDR) Read/Write Operations.....             | 515 |
| Table 20.7  | Port G Data Register (PGDR) Read/Write Operations.....             | 516 |
| Table 20.8  | Port H Data Register (PHDR) Read/Write Operations.....             | 517 |
| Table 20.9  | Port J Data Register (PJDR) Read/Write Operations .....            | 519 |

|  |   |     |
|--|---|-----|
| Table 20.10                                      | Port K Data Register (PKDR) Read/Write Operations.....                      | 520 |
| Table 20.11                                      | Port L Data Register (PLDR) Read/Write Operation.....                       | 521 |
| Table 20.12                                      | Port M Data Register (PMDR) Read/Write Operations.....                      | 522 |
| Table 20.13                                      | Port N Data Register (PNDR) Read/Write Operations.....                      | 524 |
| Table 20.14                                      | SC Port Data Register (SCPDR) Read/Write Operations.....                    | 525 |
| <b>Section 21 A/D Converter</b>                  |   |     |
| Table 21.1                                       | Pin Configuration.....  | 529 |
| Table 21.2                                       | Analog Input Channels and A/D Data Registers.....                           | 530 |
| Table 21.3                                       | A/D Conversion Time (Single Mode).....                                      | 535 |
| Table 21.4                                       | A/D Conversion Time (Multi Mode and Scan Mode).....                         | 535 |
| Table 21.5                                       | A/D Converter Interrupt Source.....   | 536 |
| Table 21.6                                       | Analog Input Pin Ratings.....   | 540 |
| <b>Section 22 User Break Controller</b>          |   |     |
| Table 22.1                                       | Data Access Cycle Addresses and Operand Size Comparison Conditions.....     | 558 |
| <b>Section 23 User Debugging Interface (UDI)</b> |   |     |
| Table 23.1                                       | Pin Configuration.....  | 568 |
| Table 23.2                                       | UDI Commands.....   | 570 |
| Table 23.3                                       | SH7705 Pins and Boundary Scan Register Bits.....                            | 571 |
| Table 23.4                                       | Reset Configuration.....  | 579 |
| <b>Section 25 Electrical Characteristics</b>     |   |     |
| Table 25.1                                       | Absolute Maximum Ratings.....   | 623 |
| Table 25.2                                       | DC Characteristics (1) [Common Items].....                                  | 625 |
| Table 25.2                                       | DC Characteristics (2-a) [Excluding USB-Related Pins].....                  | 627 |
| Table 25.2                                       | DC Characteristics (2-b) [USB-Related Pins*].....                           | 628 |
| Table 25.2                                       | DC Characteristics (2-c) [USB Transceiver-Related Pins* <sup>1</sup> ]..... | 629 |
| Table 25.3                                       | Permitted Output Current Values.....  | 629 |
| Table 25.4                                       | Maximum Operating Frequencies.....  | 630 |
| Table 25.5                                       | Clock Timing.....   | 631 |
| Table 25.6                                       | Control Signal Timing.....  | 636 |
| Table 25.7                                       | Bus Timing (1).....   | 638 |
| Table 25.8                                       | Bus Timing (2).....   | 663 |
| Table 25.9                                       | DMAC Signal Timing.....   | 668 |
| Table 25.10                                      | TMU Signal Timing.....  | 669 |
| Table 25.11                                      | RTC Signal Timing.....  | 670 |
| Table 25.12                                      | 16-Bit Timer Pulse Unit (TPU) Signal Timing.....                            | 670 |
| Table 25.13                                      | SCIF Module Signal Timing.....  | 671 |
| Table 25.14                                      | USB Module Clock Timing.....  | 672 |
| Table 25.15                                      | USB Transceiver Timing.....   | 673 |
| Table 25.16                                      | Port Input/Output Timing.....   | 674 |
| Table 25.17                                      | UDI Related Pin Timing.....   | 675 |
| Table 25.18                                      | A/D Converter Characteristics.....  | 678 |

## Appendix

|           |  |     |
|-----------|--|-----|
| Table A.1 | I/O Port States in Each Processing State ..... | 679 |
|-----------|--|-----|

# Section 1 Overview

## 1.1 SH7705 Features

This LSI is a microprocessor that integrates a 32-bit RISC-type SuperH architecture CPU as its core, together with 32-kbyte cache memory as well as peripheral functions required for system configuration such as an interrupt controller.

High-speed data transfers can be formed by an on-chip direct memory access controller (DMAC), and an external memory access support function enables direct connection to different kinds of memory. This LSI also includes powerful peripheral functions that are essential to system configuration, such as USB (Function) functionality and a serial interface with a large FIFO.

A powerful built-in power-management function keeps power consumption low, even during high-speed operation. This LSI is ideal for use in electronic devices such as those for applications that require both high speeds and low power consumption.

The features of this LSI are listed in table 1.1.

**Table 1.1 SH7705 Features**

| <b>Item</b>                  | <b>Features</b>   |
|------------------------------|---|
| CPU                          | <ul style="list-style-type: none"> <li>• Original Renesas SuperH architecture</li> <li>• Compatible with SH-1, SH-2 and SH-3 at object code level</li> <li>• 32-bit internal data bus</li> <li>• General-registers<br/>Sixteen 32-bit general registers (eight 32-bit shadow registers)<br/>Five 32-bit control registers<br/>Four 32-bit system registers</li> <li>• RISC-type instruction set<br/>Instruction length: 16-bit fixed length and improved code efficiency<br/>Load/store architecture<br/>Delayed branch instructions<br/>Instruction set based on C language</li> <li>• Instruction execution time: one instruction/cycle for basic instructions</li> <li>• Logical address space: 4 Gbytes</li> <li>• Five-stage pipeline</li> </ul> |
| Memory management unit (MMU) | <ul style="list-style-type: none"> <li>• 4 Gbytes of address space, 256 address space identifiers (ASID: 8 bits)</li> <li>• Page unit sharing</li> <li>• Supports multiple page sizes: 1 kbyte or 4 kbytes</li> <li>• 128-entry, 4-way set associative TLB</li> <li>• Supports software selection of replacement method and random-replacement algorithms</li> <li>• Contents of TLB are directly accessible by address mapping</li> </ul>  |
| Cache memory                 | <ul style="list-style-type: none"> <li>• 32-kbyte cache, mixture of instructions and data</li> <li>• 512 entries, 4-way set associative, 16-byte block length</li> <li>• Write-back, write-through, LRU replacement algorithm</li> <li>• 1-stage write-back buffer</li> </ul>   |
| Interrupt controller (INTC)  | <ul style="list-style-type: none"> <li>• Seven external interrupt pins (NMI, IRQ5 to IRQ0)</li> <li>• On-chip peripheral interrupt: Priority level is independently selected for each module</li> </ul>   |



| Item                                   | Features  |
|--|---|
| Bus state controller (BSC)             | <ul style="list-style-type: none"> <li>• Physical address space is divided into eight areas: area 0, areas 2 to 4; each a maximum of 64 Mbytes, and areas 5A, 5B, 6A, 6B; each a maximum of 32 Mbytes</li> <li>• The following features are settable for each area <ul style="list-style-type: none"> <li>Bus size (8, 16, or 32 bits). The supported bus size differs for each area.</li> <li>Number of access wait cycles (Numbers of wait-state cycles during reading and writing are independently selectable for some areas.)</li> <li>Setting of idle wait cycles (for the same area or different area)</li> <li>Specifying the memory type to be connected to each area enables direct connection to SRAM, byte selection SRAM, SDRAM, and burst ROM. Some areas support address/data multiplex I/O (MPX).</li> <li>Outputs chip select signal (<math>\overline{CS0}</math>, <math>\overline{CS2}</math> to <math>\overline{CS4}</math>, <math>\overline{CS5A/B}</math>, <math>\overline{CS6A/B}</math>) for corresponding area (Programs are used to select the <math>\overline{CS}</math> assert/negate timing.)</li> </ul> </li> <li>• SDRAM refresh function <ul style="list-style-type: none"> <li>Supports auto-refresh and self-refresh modes</li> </ul> </li> <li>• SDRAM burst access function <ul style="list-style-type: none"> <li>Different SDRAM can be connected to area 2 or area 3 (size/latency)</li> </ul> </li> <li>• Usable as either big or little endian machine</li> </ul> |
| Direct memory access controller (DMAC) | <ul style="list-style-type: none"> <li>• Four channels. Two of these channels support external requests.</li> <li>• Burst mode and cycle steal mode</li> <li>• Outputs transfer end signal in channel with DREQ (one channel)</li> <li>• Supports intermittent mode (supports 16 or 64 cycles)</li> </ul>   |
| Clock pulse generator (CPG)            | <ul style="list-style-type: none"> <li>• Clock mode: Input clock can be selected from external input (EXTAL or CKIO) or crystal resonator</li> <li>• Three types of clocks generated <ul style="list-style-type: none"> <li>CPU clock: max. 133.34 MHz/100 MHz</li> <li>Bus clock: max. 66.67 MHz</li> <li>Peripheral clock: max. 33.34 MHz</li> </ul> </li> <li>• Seven types of clock mode (selection of multiplication ratio of PLL1 and PLL2, and selection external clock or crystal resonator)</li> </ul>   |
| Watchdog timer (WDT)                   | <ul style="list-style-type: none"> <li>• One-channel watchdog timer</li> </ul>  |
| Power-down mode                        | <ul style="list-style-type: none"> <li>• Supports power-down mode <ul style="list-style-type: none"> <li>Sleep mode</li> <li>Software standby mode and hardware standby mode</li> <li>Module standby mode</li> </ul> </li> </ul>  |

| Item  | Features   |
|---|--|
| Timer unit (TMU)                                | <ul style="list-style-type: none"> <li>• Three-channel auto-reload-type 32-bit timer</li> <li>• Input capture function (only channel 2)</li> <li>• Five types of counter input clocks can be selected (P<math>\phi</math>/4, P<math>\phi</math>/16, P<math>\phi</math>/64, P<math>\phi</math>/256, TCLK input)</li> </ul>  |
| Compare match timer (CMT)                       | <ul style="list-style-type: none"> <li>• 16-bit counter</li> <li>• Four types of clocks can be selected (P<math>\phi</math>/4, P<math>\phi</math>/8, P<math>\phi</math>/16, P<math>\phi</math>/64)</li> </ul>  |
| 16-bit timer pulse unit (TPU)                   | <ul style="list-style-type: none"> <li>• Four PWM output (TO0, TO1, TO2, and TO3)</li> <li>• Supports PWM function</li> </ul>  |
| Realtime clock (RTC)                            | <ul style="list-style-type: none"> <li>• Clock and calendar functions (BCD format)</li> <li>• 30-second adjust function</li> <li>• Alarm/periodic/carry interrupt</li> <li>• Automatic leap year adjustment</li> </ul>   |
| Serial communication interface (SCIF_0, SCIF_2) | <ul style="list-style-type: none"> <li>• Clock synchronous/asynchronous mode</li> <li>• 64-byte transmit/receive FIFOs</li> <li>• High-speed UART</li> <li>• UART supports FIFO stop and FIFO trigger</li> <li>• Supports <math>\overline{RTS}/\overline{CTS}</math></li> <li>• Supports IrDA 1.0 (only channel 0)</li> </ul>  |
| USB function module (USB)                       | <ul style="list-style-type: none"> <li>• Conforms to USB 2.0 full-speed specification</li> <li>• Supports modes with an on-chip and external USB transceiver</li> <li>• Supports control transfer (endpoint 0), bulk transfer (endpoint 1, 2), and interrupt transfer (endpoint 3)</li> <li>• The USB standard commands are supported, and class and bender commands are handled by firmware</li> <li>• On-chip FIFO buffer for endpoints (128 bytes/endpoint 1, 2)</li> <li>• Module input clock: 48 MHz</li> </ul> |
| I/O port  | <ul style="list-style-type: none"> <li>• Bitwise selection of input/output for input/output port</li> </ul>  |
| A/D converter                                   | <ul style="list-style-type: none"> <li>• 10 bits <math>\pm</math> 4 LSB, four channels</li> <li>• Input range: 0 to AVcc (max. 3.6 V)</li> </ul>   |
| User break controller (UBC)                     | <ul style="list-style-type: none"> <li>• Address, data value, access type, and data size are available for setting a break conditions</li> <li>• Supports the sequential break function</li> <li>• Two break channels</li> </ul>   |

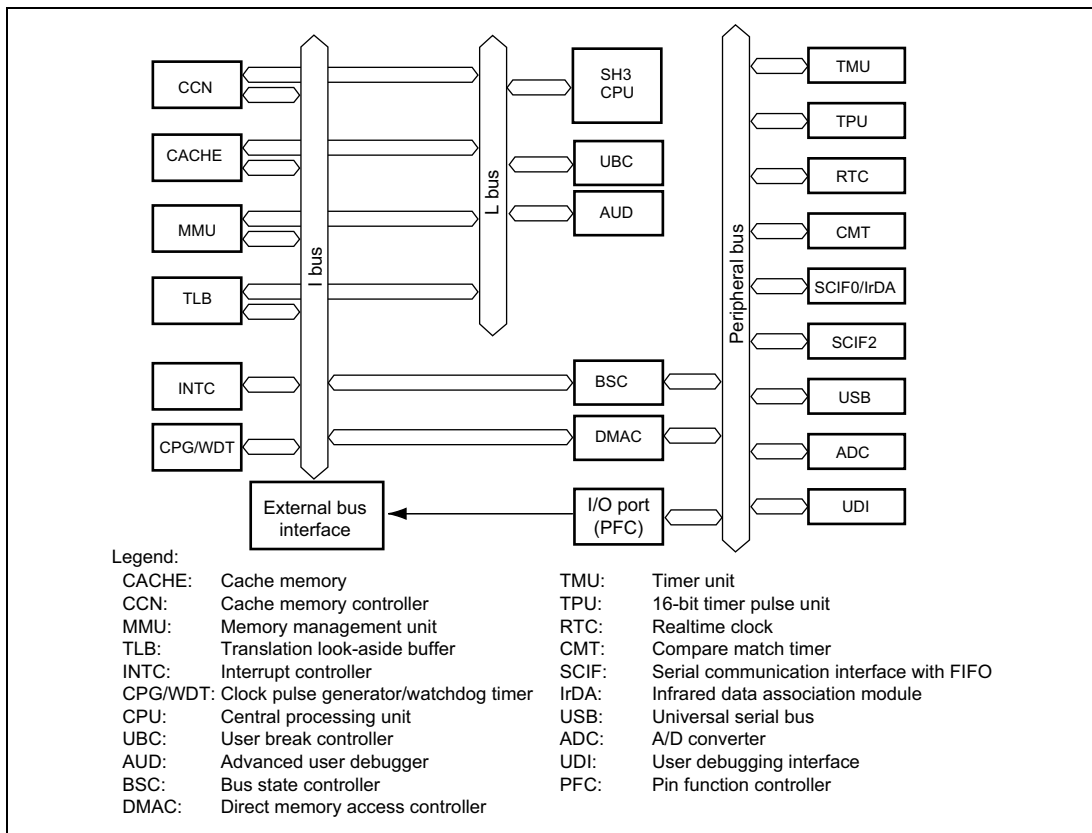
| Item                           | Features   |
|--------------------------------|--|
| User debugging interface (UDI) | <ul style="list-style-type: none"> <li>• Supports the E10A emulator</li> <li>• JTAG-standard pin assignment</li> <li>• Real-time branch trace (AUD)</li> </ul> |

|                      |   |
|----------------------|---|
| Power-supply voltage | <ul style="list-style-type: none"> <li>• I/O: <math>3.3 \pm 0.3</math> V, internal: <math>1.5 \pm 0.1</math> V</li> </ul> |
|----------------------|---|

| Product lineup | Power Supply Voltage |                 |                 |                     |                                |
|----------------|----------------------|-----------------|-----------------|---------------------|--------------------------------|
|                | Product Name         | I/O             | On-chip Modules | Operating Frequency | Product Code                   |
| SH7705         | $3.3 \pm 0.3$ V      | $1.5 \pm 0.1$ V | 133 MHz         | HD6417705F133       | 208-pin plastic LQFP (FP-208C) |
|                |                      |                 | 100 MHz         | HD6417705F100       |                                |
|                | $3.3 \pm 0.3$ V      | $1.5 \pm 0.1$ V | 133 MHz         | HD6417705BP133      | 208-pin TFBGA (TBP-208A)       |
|                |                      |                 | 100 MHz         | HD6417705BP100      |                                |

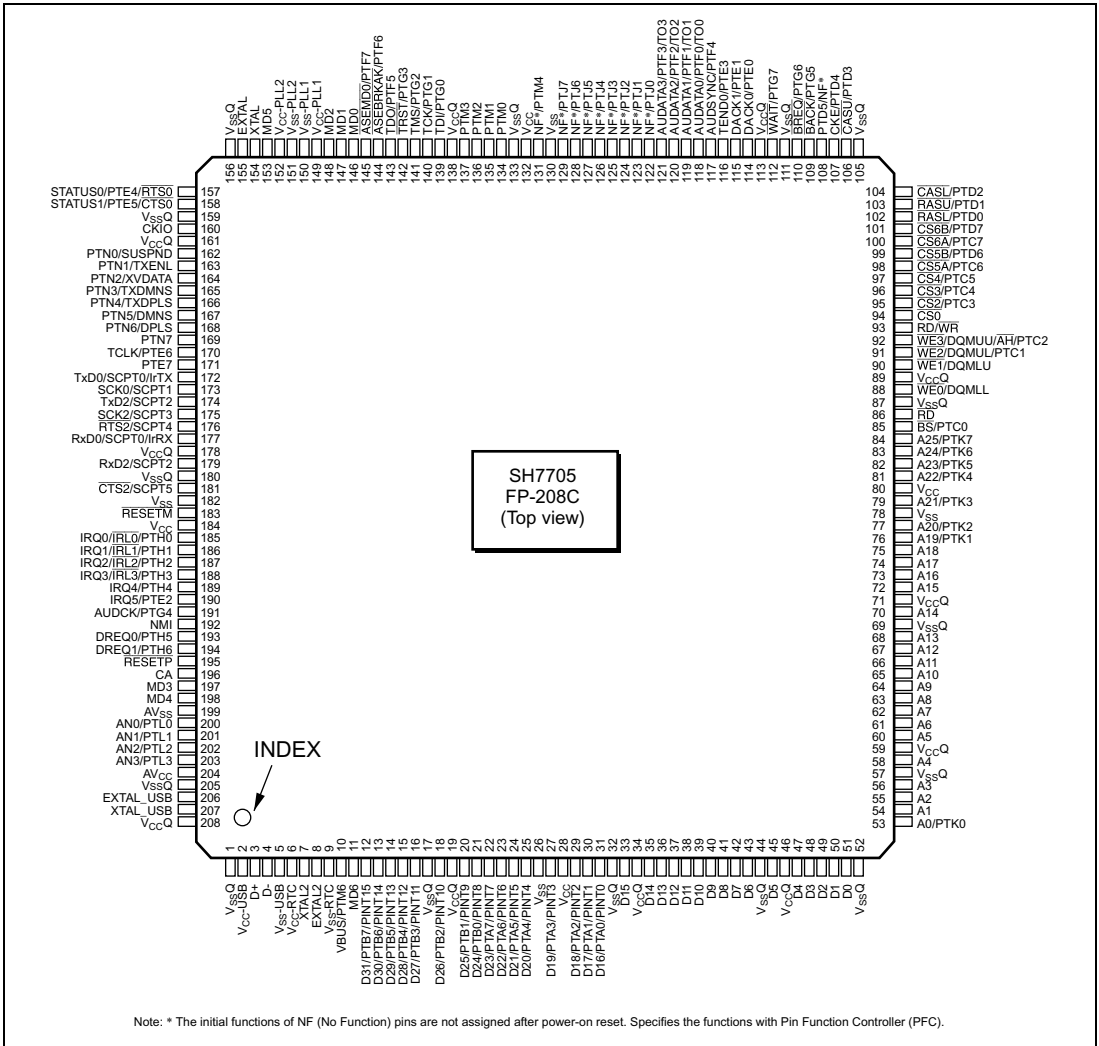
## 1.2 Block Diagram

Figure 1.1 shows an internal block diagram of the SH7705.

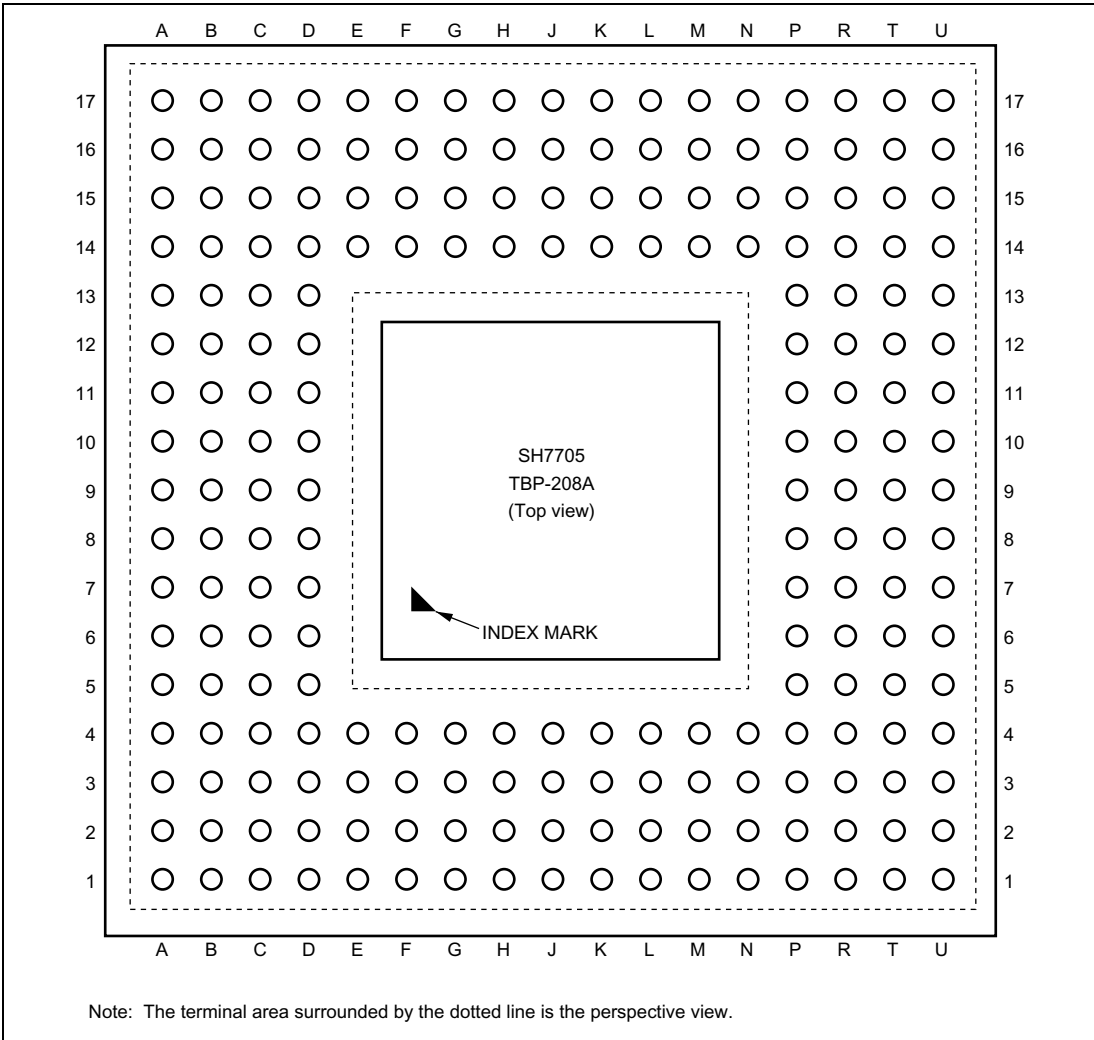


**Figure 1.1 Block Diagram of SH7705**

# 1.3 Pin Assignment



**Figure 1.2 Pin Assignment (FP-208C)**



Note: The terminal area surrounded by the dotted line is the perspective view.

**Figure 1.3 Pin Assignment (TBP-208A)**

**Table 1.2 Pin Functions**

| Pin No. |          | Pin Name        | I/O           | Description                                      |
|---------|----------|-----------------|---------------|--|
| FP-208C | TBP-208A |                 |               |  |
| 1       | A1       | VssQ            | —             | I/O power supply (0 V)                           |
| 2       | B1       | Vcc-USB         | —             | USB power supply (3.3 V)                         |
| 3       | C3       | D+              | I/O           | USB data line                                    |
| 4       | C2       | D-              | I/O           | USB data line                                    |
| 5       | C1       | Vss-USB         | —             | USB power supply (0 V)                           |
| 6       | D3       | Vcc-RTC*5       | —             | RTC power supply (3.3 V)*5                       |
| 7       | D2       | XTAL2           | O             | Crystal oscillator pin for on-chip RTC           |
| 8       | D1       | EXTAL2          | I             | Crystal oscillator pin for on-chip RTC           |
| 9       | E4       | Vss-RTC*5       | —             | RTC power supply (0 V)*5                         |
| 10      | E3       | VBUS/PTM6       | I / I/O       | USB power supply detection / input/output port M |
| 11      | E2       | MD6             | I             | connect to I/O power supply (0V)                 |
| 12      | E1       | D31/PTB7/PINT15 | I/O / I/O / I | Data bus / input/output port B / PINT interrupt  |
| 13      | F4       | D30/PTB6/PINT14 | I/O / I/O / I | Data bus / input/output port B / PINT interrupt  |
| 14      | F3       | D29/PTB5/PINT13 | I/O / I/O / I | Data bus / input/output port B / PINT interrupt  |
| 15      | F2       | D28/PTB4/PINT12 | I/O / I/O / I | Data bus / input/output port B / PINT interrupt  |
| 16      | F1       | D27/PTB3/PINT11 | I/O / I/O / I | Data bus / input/output port B / PINT interrupt  |
| 17      | G4       | VssQ            | —             | I/O power supply (0 V)                           |
| 18      | G3       | D26/PTB2/PINT10 | I/O / I/O / I | Data bus / input/output port B / PINT interrupt  |
| 19      | G2       | VccQ            | —             | I/O power supply (3.3 V)                         |
| 20      | G1       | D25/PTB1/PINT9  | I/O / I/O / I | Data bus / input/output port B / PINT interrupt  |
| 21      | H4       | D24/PTB0/PINT8  | I/O / I/O / I | Data bus / input/output port B / PINT interrupt  |
| 22      | H3       | D23/PTA7/PINT7  | I/O / I/O / I | Data bus / input/output port A / PINT interrupt  |
| 23      | H2       | D22/PTA6/PINT6  | I/O / I/O / I | Data bus / input/output port A / PINT interrupt  |
| 24      | H1       | D21/PTA5/PINT5  | I/O / I/O / I | Data bus / input/output port A / PINT interrupt  |
| 25      | J4       | D20/PTA4/PINT4  | I/O / I/O / I | Data bus / input/output port A / PINT interrupt  |
| 26      | J2       | Vss             | —             | Internal power supply (0 V)                      |
| 27      | J1       | D19/PTA3/PINT3  | I/O / I/O / I | Data bus / input/output port A / PINT interrupt  |
| 28      | J3       | Vcc             | —             | Internal power supply (1.5 V)                    |
| 29      | K1       | D18/PTA2/PINT2  | I/O / I/O / I | Data bus / input/output port A / PINT interrupt  |
| 30      | K2       | D17/PTA1/PINT1  | I/O / I/O / I | Data bus / input/output port A / PINT interrupt  |
| 31      | K3       | D16/PTA0/PINT0  | I/O / I/O / I | Data bus / input/output port A / PINT interrupt  |

**Pin No.**

| <b>FP-208C</b> | <b>TBP-208A</b> | <b>Pin Name</b> | <b>I/O</b> | <b>Description</b>                |
|----------------|-----------------|-----------------|------------|-----------------------------------|
| 32             | K4              | VssQ            | —          | I/O power supply (0 V)            |
| 33             | L1              | D15             | I/O        | Data bus                          |
| 34             | L2              | VccQ            | —          | I/O power supply (3.3 V)          |
| 35             | L3              | D14             | I/O        | Data bus                          |
| 36             | L4              | D13             | I/O        | Data bus                          |
| 37             | M1              | D12             | I/O        | Data bus                          |
| 38             | M2              | D11             | I/O        | Data bus                          |
| 39             | M3              | D10             | I/O        | Data bus                          |
| 40             | M4              | D9              | I/O        | Data bus                          |
| 41             | N1              | D8              | I/O        | Data bus                          |
| 42             | N2              | D7              | I/O        | Data bus                          |
| 43             | N3              | D6              | I/O        | Data bus                          |
| 44             | N4              | VssQ            | —          | I/O power supply (0 V)            |
| 45             | P1              | D5              | I/O        | Data bus                          |
| 46             | P2              | VccQ            | —          | I/O power supply (3.3 V)          |
| 47             | P3              | D4              | I/O        | Data bus                          |
| 48             | R1              | D3              | I/O        | Data bus                          |
| 49             | R2              | D2              | I/O        | Data bus                          |
| 50             | P4              | D1              | I/O        | Data bus                          |
| 51             | T1              | D0              | I/O        | Data bus                          |
| 52             | T2              | VssQ            | —          | I/O power supply (0 V)            |
| 53             | U1              | A0/PTK0         | O / I/O    | Address bus / input/output port K |
| 54             | U2              | A1              | O          | Address bus                       |
| 55             | R3              | A2              | O          | Address bus                       |
| 56             | T3              | A3              | O          | Address bus                       |
| 57             | U3              | VssQ            | —          | I/O power supply (0 V)            |
| 58             | R4              | A4              | O          | Address bus                       |
| 59             | T4              | VccQ            | —          | I/O power supply (3.3 V)          |
| 60             | U4              | A5              | O          | Address bus                       |
| 61             | P5              | A6              | O          | Address bus                       |
| 62             | R5              | A7              | O          | Address bus                       |
| 63             | T5              | A8              | O          | Address bus                       |



## Pin No.

| FP-208C | TBP-208A | Pin Name   | I/O             | Description   |
|---------|----------|--|-----------------|---|
| 64      | U5       | A9   | O               | Address bus   |
| 65      | P6       | A10  | O               | Address bus   |
| 66      | R6       | A11  | O               | Address bus   |
| 67      | T6       | A12  | O               | Address bus   |
| 68      | U6       | A13  | O               | Address bus   |
| 69      | P7       | VssQ   | —               | I/O power supply (0 V)  |
| 70      | R7       | A14  | O               | Address bus   |
| 71      | T7       | VccQ   | —               | I/O power supply (3.3 V)  |
| 72      | U7       | A15  | O               | Address bus   |
| 73      | P8       | A16  | O               | Address bus   |
| 74      | R8       | A17  | O               | Address bus   |
| 75      | T8       | A18  | O               | Address bus   |
| 76      | U8       | A19/PTK1   | O / I/O         | Address bus / input/output port K   |
| 77      | P9       | A20/PTK2   | O / I/O         | Address bus / input/output port K   |
| 78      | T9       | Vss  | —               | Internal power supply (0 V)   |
| 79      | U9       | A21/PTK3   | O / I/O         | Address bus / input/output port K   |
| 80      | R9       | Vcc  | —               | Internal power supply (1.5 V)   |
| 81      | U10      | A22/PTK4   | O / I/O         | Address bus / input/output port K   |
| 82      | T10      | A23/PTK5   | O / I/O         | Address bus / input/output port K   |
| 83      | R10      | A24/PTK6   | O / I/O         | Address bus / input/output port K   |
| 84      | P10      | A25/PTK7   | O / I/O         | Address bus / input/output port K   |
| 85      | U11      | $\overline{\text{BS}}$ /PTC0                                 | O / I/O         | Bus cycle start signal / input/output port C                                |
| 86      | T11      | $\overline{\text{RD}}$                                       | O               | Read strobe   |
| 87      | R11      | VssQ   | —               | I/O power supply (0 V)  |
| 88      | P11      | $\overline{\text{WE0}}$ /DQMML                               | O / O           | D7 to D0 select signal / DQM (SDRAM)  |
| 89      | U12      | VccQ   | —               | I/O power supply (3.3 V)  |
| 90      | T12      | $\overline{\text{WE1}}$ /DQMLU                               | O / O           | D15 to D8 select signal / DQM (SDRAM)                                       |
| 91      | R12      | $\overline{\text{WE2}}$ /DQMUL/PTC1                          | O / O / I/O     | D23 to D16 select signal / DQM (SDRAM) / input/output port C                |
| 92      | P12      | $\overline{\text{WE3}}$ /DQMUU/ $\overline{\text{AH}}$ /PTC2 | O / O / O / I/O | D31 to D24 select signal / DQM (SDRAM) / address hold / input/output port C |
| 93      | U13      | RD/ $\overline{\text{WR}}$                                   | O               | Read/write  |
| 94      | T13      | $\overline{\text{CS0}}$                                      | O               | Chip select 0   |

| Pin No. |          |                              |             |   |
|---------|----------|------------------------------|-------------|---|
| FP-208C | TBP-208A | Pin Name                     | I/O         | Description   |
| 95      | R13      | $\overline{CS2}$ /PTC3       | O / I/O     | Chip select 2 / input/output port C                       |
| 96      | P13      | $\overline{CS3}$ /PTC4       | O / I/O     | Chip select 3 / input/output port C                       |
| 97      | U14      | $\overline{CS4}$ /PTC5       | O / I/O     | Chip select 4 / input/output port C                       |
| 98      | T14      | $\overline{CS5A}^{*3}$ /PTC6 | O / I/O     | Chip select 5A / input/output port C                      |
| 99      | R14      | $\overline{CS5B}^{*3}$ /PTD6 | O / I/O     | Chip select 5B / input/output port D                      |
| 100     | U15      | $\overline{CS6A}^{*3}$ /PTC7 | O / I/O     | Chip select 6A / input/output port C                      |
| 101     | T15      | $\overline{CS6B}^{*3}$ /PTD7 | O / I/O     | Chip select 6B / input/output port D                      |
| 102     | P14      | $\overline{RASL}$ /PTD0      | O / I/O     | Lower 32 Mbytes address RAS (SDRAM) / input/output port D |
| 103     | U16      | $\overline{RASU}^{*3}$ /PTD1 | O / I/O     | Upper 32 Mbytes address RAS (SDRAM) / input/output port D |
| 104     | T16      | $\overline{CASL}$ /PTD2      | O / I/O     | Lower 32 Mbytes address CAS (SDRAM) / input/output port D |
| 105     | U17      | VssQ                         | —           | I/O power supply (0 V)                                    |
| 106     | T17      | $\overline{CASU}^{*3}$ /PTD3 | O / I/O     | Upper 32 Mbytes address CAS (SDRAM) / input/output port D |
| 107     | R15      | CKE/PTD4                     | O / I/O     | CK enable (SDRAM) / input/output port D                   |
| 108     | R16      | PTD5/NF <sup>*4</sup>        | I           | Input port D / NF <sup>*4</sup>                           |
| 109     | R17      | $\overline{BACK}$ /PTG5      | O / I/O     | Bus acknowledge / input/output port G                     |
| 110     | P15      | $\overline{BREQ}$ /PTG6      | I / I/O     | Bus request / input/output port G                         |
| 111     | P16      | VssQ                         | —           | I/O power supply (0 V)                                    |
| 112     | P17      | $\overline{WAIT}$ /PTG7      | I / I/O     | Hardware wait request / input/output port G               |
| 113     | N14      | VccQ                         | —           | I/O power supply (3.3 V)                                  |
| 114     | N15      | DACK0/PTE0                   | O / I/O     | DMA acknowledge 0 / input/output port E                   |
| 115     | N16      | DACK1/PTE1                   | O / I/O     | DMA acknowledge 1 / input/output port E                   |
| 116     | N17      | TEND0/PTE3                   | O / I/O     | DMA transfer end notification / input/output port E       |
| 117     | M14      | AUDSYNC/PTF4                 | O / I/O     | AUD synchronous / input/output port F                     |
| 118     | M15      | AUDATA0/PTF0/TO0             | O / I/O / O | AUD data output / input/output port F / timer output      |
| 119     | M16      | AUDATA1/PTF1/TO1             | O / I/O / O | AUD data output / input/output port F / timer output      |
| 120     | M17      | AUDATA2/PTF2/TO2             | O / I/O / O | AUD data output / input/output port F / timer output      |

## Pin No.

| FP-208C | TBP-208A | Pin Name                                 | I/O         | Description  |
|---------|----------|--|-------------|--|
| 121     | L14      | AUDATA3/PTF3/TO3                         | O / I/O / O | AUD data output / input/output port F / timer output |
| 122     | L15      | NF <sup>*4</sup> /PTJ0                   | O           | NF <sup>*4</sup> /output port J                      |
| 123     | L16      | NF <sup>*4</sup> /PTJ1                   | O           | NF <sup>*4</sup> /output port J                      |
| 124     | L17      | NF <sup>*4</sup> /PTJ2                   | O           | NF <sup>*4</sup> /output port J                      |
| 125     | K14      | NF <sup>*4</sup> /PTJ3                   | O           | NF <sup>*4</sup> /output port J                      |
| 126     | K15      | NF <sup>*4</sup> /PTJ4                   | O           | NF <sup>*4</sup> /output port J                      |
| 127     | K16      | NF <sup>*4</sup> /PTJ5                   | O           | NF <sup>*4</sup> /output port J                      |
| 128     | K17      | NF <sup>*4</sup> /PTJ6                   | O           | NF <sup>*4</sup> /output port J                      |
| 129     | J14      | NF <sup>*4</sup> /PTJ7                   | O           | NF <sup>*4</sup> /output port J                      |
| 130     | J16      | Vss                                      | —           | Internal power supply (0 V)                          |
| 131     | J17      | NF <sup>*4</sup> /PTM4                   | I           | NF <sup>*4</sup> / input port M                      |
| 132     | J15      | Vcc                                      | —           | Internal power supply (1.5 V)                        |
| 133     | H17      | VssQ                                     | —           | I/O power supply (0 V)                               |
| 134     | H16      | PTM0                                     | I/O         | Input/output port M                                  |
| 135     | H15      | PTM1                                     | I/O         | Input/output port M                                  |
| 136     | H14      | PTM2                                     | I/O         | Input/output port M                                  |
| 137     | G17      | PTM3                                     | I/O         | Input/output port M                                  |
| 138     | G16      | VccQ                                     | —           | I/O power supply (3.3 V)                             |
| 139     | G15      | TDI <sup>*7</sup> /PTG0                  | I / I/O     | Test data input (UDI) / input/output port G          |
| 140     | G14      | TCK <sup>*7</sup> /PTG1                  | I / I/O     | Test clock (UDI) / input/output port G               |
| 141     | F17      | TMS <sup>*7</sup> /PTG2                  | I / I/O     | Test mode select (UDI) / input/output port G         |
| 142     | F16      | $\overline{\text{TRST}}^{*1 *7}$ /PTG3   | I / I/O     | Test reset (UDI) / input/output port G               |
| 143     | F15      | TDO/PTF5                                 | O / I/O     | Test data output (UDI) / input/output port F         |
| 144     | F14      | $\overline{\text{ASEBRKAK}}$ /PTF6       | O / I/O     | ASE break acknowledge (UDI) / input/output port F    |
| 145     | E17      | $\overline{\text{ASEMD0}}^{*2 *7}$ /PTF7 | I / I/O     | ASE mode (UDI) / input/output port F                 |
| 146     | E16      | MD0                                      | I           | Clock mode setting                                   |
| 147     | E15      | MD1                                      | I           | Clock mode setting                                   |
| 148     | E14      | MD2                                      | I           | Clock mode setting                                   |
| 149     | D17      | Vcc-PLL1                                 | —           | PLL1 power supply (1.5 V)                            |
| 150     | D16      | Vss-PLL1                                 | —           | PLL1 power supply (0 V)                              |

**Pin No.**

| <b>FP-208C</b> | <b>TBP-208A</b> | <b>Pin Name</b>       | <b>I/O</b>  | <b>Description</b>  |
|----------------|-----------------|-----------------------|-------------|---|
| 151            | D15             | Vss-PLL2              | —           | PLL2 power supply (0 V)   |
| 152            | C17             | Vcc-PLL2              | —           | PLL2 power supply (1.5 V)                                       |
| 153            | C16             | MD5                   | I           | Endian setting  |
| 154            | D14             | XTAL                  | O           | Crystal oscillator pin  |
| 155            | B17             | EXTAL                 | I           | External clock / crystal oscillator pin                         |
| 156            | B16             | VssQ                  | —           | I/O power supply (0 V)  |
| 157            | A17             | STATUS0/PTE4/<br>RTS0 | O / I/O / O | Processor status / input/output port E / SCIF0 transmit request |
| 158            | A16             | STATUS1/PTE5/<br>CTS0 | O / I/O / I | Processor status / input/output port E / SCIF0 transmit clear   |
| 159            | C15             | VssQ                  | —           | I/O power supply (0 V)  |
| 160            | B15             | CKIO                  | I/O         | System clock input/output                                       |
| 161            | A15             | VccQ                  | —           | I/O power supply (3.3 V)  |
| 162            | C14             | PTN0/SUSPND           | I/O / O     | input/output port N / USB suspend                               |
| 163            | B14             | PTN1/TXENL            | I/O / O     | input/output port N / USB output enable                         |
| 164            | A14             | PTN2/XVDATA           | I/O / I     | input/output port N / USB differential receive input            |
| 165            | D13             | PTN3/TXDMNS           | I/O / O     | input/output port N / USB D– transmit output                    |
| 166            | C13             | PTN4/TXDPLS           | I/O / O     | input/output port N / USB D+ transmit output                    |
| 167            | B13             | PTN5/DMNS             | I/O / I     | input/output port N / D– input from USB receiver                |
| 168            | A13             | PTN6/DPLS             | I/O / I     | input/output port N / D+ input from USB receiver                |
| 169            | D12             | PTN7                  | I/O         | input/output port N   |
| 170            | C12             | TCLK/PTE6             | I / I/O     | TMU clock input / input/output port E                           |
| 171            | B12             | PTE7                  | I/O         | Input/output port E   |
| 172            | A12             | TxD0/SCPT0/IrTX       | O / O / O   | SCIF0 transmit data / SC port / IrDA TX port                    |
| 173            | D11             | SCK0/SCPT1            | I/O / I/O   | SCIF0 clock / SC port   |
| 174            | C11             | TxD2/SCPT2            | O / O       | SCIF2 transmit data / SC port                                   |
| 175            | B11             | SCK2/SCPT3            | I/O / I/O   | SCIF2 clock / SC port   |
| 176            | A11             | RTS2/SCPT4            | O / I/O     | SCIF2 transmit request / SC port                                |
| 177            | D10             | RxD0/SCPT0/IrRX       | I / I / I   | SCIF0 receive data / SC port / IrDA RX port                     |
| 178            | C10             | VccQ                  | —           | I/O power supply (3.3 V)  |
| 179            | B10             | RxD2/SCPT2            | I / I       | SCIF2 receive data / SC port                                    |

## Pin No.

| FP-208C | TBP-208A | Pin Name                              | I/O         | Description                                      |
|---------|----------|---------------------------------------|-------------|--|
| 180     | A10      | VssQ                                  | —           | I/O power supply (0 V)                           |
| 181     | D9       | $\overline{\text{CTS2}}/\text{SCPT5}$ | I / I/O     | SCIF2 transmit clear / SC port                   |
| 182     | B9       | Vss                                   | —           | I/O power supply (0 V)                           |
| 183     | A9       | $\overline{\text{RESETM}}$            | I           | Manual reset request                             |
| 184     | C9       | Vcc                                   | —           | Internal power supply (1.5 V)                    |
| 185     | A8       | IRQ0/ $\overline{\text{IRL0}}$ /PTH0  | I / I / I/O | External interrupt request / input/output port H |
| 186     | B8       | IRQ1/ $\overline{\text{IRL1}}$ /PTH1  | I / I / I/O | External interrupt request / input/output port H |
| 187     | C8       | IRQ2/ $\overline{\text{IRL2}}$ /PTH2  | I / I / I/O | External interrupt request / input/output port H |
| 188     | D8       | IRQ3/ $\overline{\text{IRL3}}$ /PTH3  | I / I / I/O | External interrupt request / input/output port H |
| 189     | A7       | IRQ4/PTH4                             | I / I/O     | External interrupt request / input/output port H |
| 190     | B7       | IRQ5/PTE2                             | I / I/O     | External interrupt request / input/output port E |
| 191     | C7       | AUDCK/PTG4                            | O / I/O     | AUD clock / input/output port G                  |
| 192     | D7       | NMI                                   | I           | Nonmaskable interrupt request                    |
| 193     | A6       | DREQ0/PTH5                            | I / I/O     | DMA request / input/output port H                |
| 194     | B6       | DREQ1/PTH6                            | I / I/O     | DMA request / input/output port H                |
| 195     | C6       | $\overline{\text{RESETP}}^{*6}$       | I           | Power-on reset request                           |
| 196     | D6       | CA                                    | I           | Hardware standby request                         |
| 197     | A5       | MD3                                   | I           | Area 0 bus width setting                         |
| 198     | B5       | MD4                                   | I           | Area 0 bus width setting                         |
| 199     | C5       | AVss                                  | —           | Analog power supply (0 V)                        |
| 200     | D5       | AN0/PTL0                              | I / I       | A/D converter input / input port L               |
| 201     | A4       | AN1/PTL1                              | I / I       | A/D converter input / input port L               |
| 202     | B4       | AN2/PTL2                              | I / I       | A/D converter input / input port L               |
| 203     | C4       | AN3/PTL3                              | I / I       | A/D converter input / input port L               |
| 204     | A3       | AVcc                                  | —           | Analog power supply (3.3 V)                      |
| 205     | B3       | VssQ                                  | —           | I/O power supply (0 V)                           |
| 206     | D4       | EXTAL_USB                             | I           | USB clock  |
| 207     | A2       | XTAL_USB                              | O           | USB clock  |
| 208     | B2       | VccQ                                  | —           | I/O power supply (3.3 V)                         |

Notes: The unused pins should be handled according to table A.1, I/O Port States in Each Processing State, in Appendix.

1. The  $\overline{\text{TRST}}$  pin must be driven low for a specified period when power supply is turned on regardless of whether the UDI function is used or not. As the same as the  $\overline{\text{RESETP}}$  pin, the  $\overline{\text{TRST}}$  pin should be driven low at the power-on set state and driven high after the power-on reset state is released.

2. The input level of the  $\overline{\text{ASEMD0}}$  pin must be high if the E10A emulator is not used. For details, refer to section 23.4.2, Reset Configuration.
3. These pins are initialized to the general input port setting in which the pull-up MOS is off at a power-on reset. When these pins are connected to memory and so on, their levels must be fixed externally.
4. The initial functions of NF (No Function) pins are not assigned after power-on reset. Specifies the functions with Pin Function Controller (PFC).
5. In hardware standby mode, supply power to all power supply pins including the RTC power supply pins.
6. Pull-up MOS connected.
7. The pull-up MOS turns on if the pin function controller (PFC) is used to select other functions (UDI).

## 1.4 Pin Functions

Table 1.3 lists the pin functions.

**Table 1.3 Pin Functions**

| Classification | Symbol   | I/O | Name              | Function  |
|----------------|----------|-----|-------------------|---|
| Power supply   | Vcc      | —   | Power supply      | Power supply for the internal modules and ports for the system. Connect all Vcc pins to the system power supply. There will be no operation if any pins are open. |
|                | Vss      | —   | Ground            | Ground pin. Connect all Vss pins to the system power supply (0 V). There will be no operation if any pins are open.   |
|                | VccQ     | —   | Power supply      | Power supply for I/O pins. Connect all VccQ pins to the system power supply. There will be no operation if any pins are open.                                     |
|                | VssQ     | —   | Ground            | Ground pin. Connect all VssQ pins to the system power supply (0 V). There will be no operation if any pins are open.  |
| Clock          | Vcc-PLL1 | —   | PLL1 power supply | Power supply for the on-chip PLL1 oscillator.   |
|                | Vss-PLL1 | —   | PLL1 ground       | Ground pin for the on-chip PLL1 oscillator.   |
|                | Vcc-PLL2 | —   | PLL2 power supply | Power supply for the on-chip PLL2 oscillator.   |
|                | Vss-PLL2 | —   | PLL2 ground       | Ground pin for the on-chip PLL2 oscillator.   |
|                | EXTAL    | I   | External clock    | For connection to a crystal resonator. An external clock signal may also be input to the EXTAL pin.   |
|                | XTAL     | O   | Crystal           | For connection to a crystal resonator.  |
|                | CKIO     | I/O | System clock      | Supplies the system clock to external devices.  |

| Classification         | Symbol           | I/O | Name                       | Function   |
|------------------------|------------------|-----|----------------------------|--|
| Operating mode control | MD6 to MD0       | I   | Mode set                   | Sets the operating mode. Do not change values on these pins during operation.<br><br>MD2 to MD0 set the clock mode, MD3 and MD4 set the bus-width mode of area 0 and MD5 sets the endian. MD6 pin should be connected to VssQ. |
|                        | RESETP           | I   | Power-on reset             | When low, the system enters the power-on reset state.  |
| System control         | RESETM           | I   | Manual reset               | When low, the system enters the manual reset state.  |
|                        | STATUS1, STATUS0 | O   | Status output              | Indicates the operating state.   |
|                        | BREQ             | I   | Bus request                | Low when an external device requests the release of the bus mastership.  |
|                        | BACK             | O   | Bus request acknowledge    | Indicates that the bus mastership has been released to an external device. Reception of the BACK signal informs the device which has output the BREQ signal that it has acquired the bus.                                      |
|                        | CA               | I   | Chip active                | High in normal operation, and low in hardware standby mode.  |
|                        | Interrupts       | NMI | I                          | Non-maskable interrupt   |
| IRQ5 to IRQ0           |                  | I   | Interrupt requests 5 to 0  | Maskable interrupt request pin. Selectable as level input or edge input. The rising edge or falling edge is selectable as the detection edge. The low level or high level is selectable as the detection level.                |
| IRL3 to IRL0           |                  | I   | Interrupt requests 3 to 0  | Maskable interrupt request pin. Input a coded interrupt level.   |
| PINT15 to PINT0        |                  | I   | Interrupt requests 15 to 0 | PINT interrupt request pin.  |
| Address bus            | A25 to A0        | O   | Address bus                | Outputs addresses.   |
| Data bus               | D31 to D0        | I/O | Data bus                   | 32-bit bidirectional data bus.   |



| Classification | Symbol   | I/O | Name  | Function   |
|----------------|--|-----|---|--|
| Bus control    | $\overline{CS0}$ ,<br>$\overline{CS2}$ to $\overline{CS4}$ ,<br>$\overline{CS5A}$ , $\overline{CS5B}$ ,<br>$\overline{CS6A}$ , $\overline{CS6B}$ , | O   | Chip select 0,<br>2 to 4, 5A, 5B,<br>6A, 6B | Chip-select signal for external<br>memory or devices.  |
|                | $\overline{RD}$  | O   | Read  | Indicates reading of data from<br>external devices.  |
|                | $\overline{RD}/\overline{WR}$  | O   | Read/write                                  | Read/write signal.   |
|                | $\overline{BS}$  | O   | Bus start                                   | Bus-cycle start.   |
|                | $\overline{WE3}$   | O   | Highest-byte<br>write                       | Indicates that bits 31 to 24 of the<br>data in the external memory or<br>device are being written. |
|                | $\overline{WE2}$   | O   | Second-highest-<br>byte write               | Indicates that bits 23 to 16 of the<br>data in the external memory or<br>device are being written. |
|                | $\overline{WE1}$   | O   | Second-lowest-<br>byte write                | Indicates that bits 15 to 8 of the<br>data in the external memory or<br>device are being written.  |
|                | $\overline{WE0}$   | O   | Lowest-byte<br>write                        | Indicates that bits 7 to 0 of the data<br>in the external memory or device<br>are being written.   |
|                | CKE  | O   | CK enable                                   | Clock enable. (SDRAM)  |
|                | DQMUU  | O   | DQ mask UU                                  | Selects D31 to D24. (SDRAM)  |
|                | DQMUL  | O   | DQ mask UL                                  | Selects D23 to D16. (SDRAM)  |
|                | DQMLU  | O   | DQ mask LU                                  | Selects D15 to D8. (SDRAM)   |
|                | DQMLL  | O   | DQ mask LL                                  | Selects D7 to D0. (SDRAM)  |
|                | $\overline{RASU}$  | O   | Row address U                               | Specifies a row address. (SDRAM)   |
|                | $\overline{RASL}$  | O   | Row address L                               | Specifies a row address. (SDRAM)   |
|                | $\overline{CASU}$  | O   | Column address<br>U                         | Specifies a column address.<br>(SDRAM)   |
|                | $\overline{CASL}$  | O   | Column address<br>L                         | Specifies a column address.<br>(SDRAM)   |
|                | $\overline{AH}$  | O   | Address hold                                | Address hold signal.   |
|                | $\overline{WAIT}$  | I   | Wait  | Inserts a wait cycle into the bus<br>cycles during access to the<br>external space.                |

| Classification  | Symbol  | I/O | Name                    | Function  |
|---|---|-----|-------------------------|---|
| Direct memory access controller (DMAC)                  | DREQ0, DREQ1  | I   | DMA-transfer request    | Input pin for external requests for DMA transfer.   |
|   | DACK0, DACK1  | O   | DMA-transfer strobe     | Output strobe to external I/O, in response to external requests for DMA transfer.   |
|   | TEND0   | O   | DMA-transfer end        | Transfer end output for DMAC channel 0.   |
| Timer unit (TMU)  | TCLK  | I   | Clock input             | External clock input pin/input capture control input pin.   |
| 16-bit timer pulse unit (TPU)                           | TO3 to TO0  | O   | Timer output            | Output compare/PWM output pin.  |
| Serial communication interface with FIFO (SCIF0, SCIF2) | TxD0, TxD2  | O   | Transmit data           | Transmit data pin.  |
|   | RxD0, RxD2  | I   | Receive data            | Receive data pin.   |
|   | SCK0, SCK2  | I/O | Serial clock            | Clock input/output pin.   |
|   | $\overline{\text{RTS0}}$ , $\overline{\text{RTS2}}$ | O   | Transmit request        | Modem control pin.  |
|   | $\overline{\text{CTS0}}$ , $\overline{\text{CTS2}}$ | I   | Transmit enable         | Modem control pin.  |
| IrDA  | IrTX  | O   | IrDA TX port            | IrDA transmit data output.  |
|   | IrRX  | I   | IrDA RX port            | IrDA receive data input.  |
| Realtime clock (RTC)                                    | EXTAL2  | I   | RTC clock               | RTC crystal oscillator pin. (32.768 kHz)  |
|   | XTAL2   | O   | RTC clock               | RTC crystal oscillator pin. (32.768 kHz)  |
|   | Vcc-RTC   | —   | RTC power supply        | Power supply pin for the RTC.   |
|   | Vss-RTC   | —   | RTC ground              | Ground pin for the RTC.   |
| A/D converter (ADC)                                     | AN3 to AN0  | I   | Analog input pin        | Analog input pin.   |
|   | AVcc  | —   | A/D analog power supply | Power supply for the A/D converter. When the A/D converter is not in use, connect this pin to the port power supply (VccQ). |
|   | AVss  | —   | A/D analog ground       | Ground pin for the A/D converter. Connect this pin to the system power supply (Vss).  |

| Classification | Symbol    | I/O | Name                       | Function  |
|----------------|-----------|-----|----------------------------|---|
| USB            | EXTAL_USB | I   | USB clock                  | USB clock input pin. (48-MHz input)   |
|                | XTAL_USB  | O   | USB clock                  | USB clock pin.  |
|                | XVDATA    | I   | Data input                 | Receive data input pin from the differential receiver.  |
|                | VBUS      | I   | USB power supply detection | USB-cable connection-monitor pin.   |
|                | TXDPLS    | O   | D+ output                  | D+ transmit output pin for the driver.  |
|                | TXDMNS    | O   | D- output                  | D- transmit output pin for the driver.  |
|                | DPLS      | I   | D+ input                   | D+ signal input pin from the receiver to the driver.  |
|                | DMNS      | I   | D- input                   | D- signal input pin from the receiver to the driver.  |
|                | TXENL     | O   | Output enable              | Output enable pin for the driver.   |
|                | SUSPND    | O   | Suspend                    | Suspend-state output pin for the transceiver.   |
|                | Vcc-USB   | —   | USB analog power supply    | USB power supply pin. When the USB is not in use, connect this pin to the port power supply (VccQ). |
|                | Vss-USB   | —   | USB analog ground          | USB ground pin. Connect this pin to the system power supply (Vss).                                  |
|                | D-        | I/O | D- I/O                     | On-chip USB transceiver D-.   |
|                | D+        | I/O | D+ I/O                     | On-chip USB transceiver D+.   |

| <b>Classification</b> | <b>Symbol</b>      | <b>I/O</b> | <b>Name</b>          | <b>Function</b>                         |
|-----------------------|--------------------|------------|----------------------|---|
| I/O port              | PTA7 to PTA0       | I/O        | General purpose port | 8-bit general-purpose I/O port pins.    |
|                       | PTB7 to PTB0       | I/O        | General purpose port | 8-bit general-purpose I/O port pins.    |
|                       | PTC7 to PTC0       | I/O        | General purpose port | 8-bit general-purpose I/O port pins.    |
|                       | PTD7 to PTD0       | I/O        | General purpose port | 8-bit general-purpose I/O port pins.    |
|                       | PTE7 to PTE0       | I/O        | General purpose port | 8-bit general-purpose I/O port pins.    |
|                       | PTF7 to PTF0       | I/O        | General purpose port | 8-bit general-purpose I/O port pins.    |
|                       | PTG7 to PTG0       | I/O        | General purpose port | 8-bit general-purpose I/O port pins.    |
|                       | PTH6 to PTH0       | I/O        | General purpose port | 7-bit general-purpose I/O port pins.    |
|                       | PTJ7 to PTJ0       | O          | General purpose port | 8-bit general-purpose output port pins. |
|                       | PTK7 to PTK0       | I/O        | General purpose port | 8-bit general-purpose I/O port pins.    |
|                       | PTL3 to PTL0       | I          | General purpose port | 4-bit general-purpose input port pins.  |
|                       | PTM6, PTM4 to PTM0 | I/O        | General purpose port | 6-bit general-purpose I/O port pins.    |
|                       | PTN7 to PTN0       | I/O        | General purpose port | 8-bit general-purpose I/O port pins.    |
|                       | SCPT5 to SCPT0     | I/O        | Serial port          | 6-bit serial port pins.                 |

| Classification                 | Symbol                       | I/O | Name                   | Function  |
|--------------------------------|------------------------------|-----|------------------------|---|
| User debugging interface (UDI) | TCK                          | I   | Test clock             | Test-clock input pin.   |
|                                | TMS                          | I   | Test mode select       | Inputs the test-mode select signal.   |
|                                | TDI                          | I   | Test data input        | Serial input pin for instructions and data.   |
|                                | TDO                          | O   | Test data output       | Serial output pin for instructions and data.  |
|                                | $\overline{\text{TRST}}$     | I   | Test reset             | Initial-signal input pin.   |
| Advanced user debugger (AUD)   | AUDATA3 to AUDATA0           | O   | AUD data               | Destination-address output pin in branch-trace mode.  |
|                                | AUDCK                        | O   | AUD clock              | Synchronous clock output pin in branch-trace mode.  |
|                                | AUDSYNC                      | O   | AUD synchronous signal | Data start-position acknowledge-signal output pin in branch-trace mode.   |
| E10A interface                 | $\overline{\text{ASEBRKAK}}$ | O   | Break mode acknowledge | Indicates that the E10A emulator has entered its break mode.<br><br>For the connection with the E10A, see the SH7705 E10A Emulator User's Manual (tentative title). |
|                                | $\overline{\text{ASEMD0}}$   | I   | ASE mode               | Sets ASE mode.  |



## 2.1 Processing States and Processing Modes

### 2.1.1 Processing States

This LSI supports four types of processing states: a reset state, an exception handling state, a program execution state, and a low-power consumption state, according to the CPU processing states.

**Reset State:** In the reset state, the CPU is reset. The LSI supports two types of resets: power-on reset and manual reset. For details on resets, refer to section 5, Exception Handling.

In power-on reset, the registers and internal statuses of all LSI on-chip modules are initialized. In manual reset, the register contents of a part of the LSI on-chip modules, such as the bus state controller (BSC), are retained. For details, refer to section 24, List of Registers. The CPU internal statuses and registers are initialized both in power-on reset and manual reset. After initialization, the program branches to address H'A0000000 to pass control to the reset processing program to be executed.

**Exception Handling State:** In the exception handling state, the CPU processing flow is changed temporarily by a general exception or interrupt exception processing. The program counter (PC) and status register (SR) are saved in the save program counter (SPC) and save status register (SSR), respectively. The program branches to an address obtained by adding a vector offset to the vector base register (VBR) and passes control to the exception processing program defined by the user to be executed. For details on reset, refer to section 5, Exception Handling.

**Program Execution State:** The CPU executes programs sequentially.

**Low-Power Consumption State:** The CPU stops operation to reduce power consumption. The low-power consumption state can be entered by executing the SLEEP instruction. For details on the low-power consumption state, refer to section 11, Power-Down Modes.

Figure 2.1 shows a status transition diagram.

## 2.1.2 Processing Modes

This LSI supports two processing modes: user mode and privileged mode. These processing modes can be determined by the processing mode bit (MD) of the status register (SR). If the MD bit is cleared to 0, the user mode is selected. If the MD bit is set to 1, the privileged mode is selected. The CPU enters the privileged mode by a transition to reset state or exception handling state. In the privileged mode, any registers and resources in address spaces can be accessed.

Clearing the MD bit of the SR to 0 puts the CPU in the user mode. In the user mode, some of the registers, including SR, and some of the address spaces cannot be accessed by the user program and system control instructions cannot be executed. This function effectively protects the system resources from the user program. To change the processing mode from user to privileged mode, a transition to exception handling state is required.\*

Note: \* To call a service routine used in privileged mode from user mode, the LSI supports an unconditional trap instruction (TRAPA). When a transition from user mode to privileged mode occurs, the contents of the SR and PC are saved. A program execution in user mode can be resumed by restoring the contents of the SR and PC. To return from an exception processing program, the LSI supports an RTE instruction.

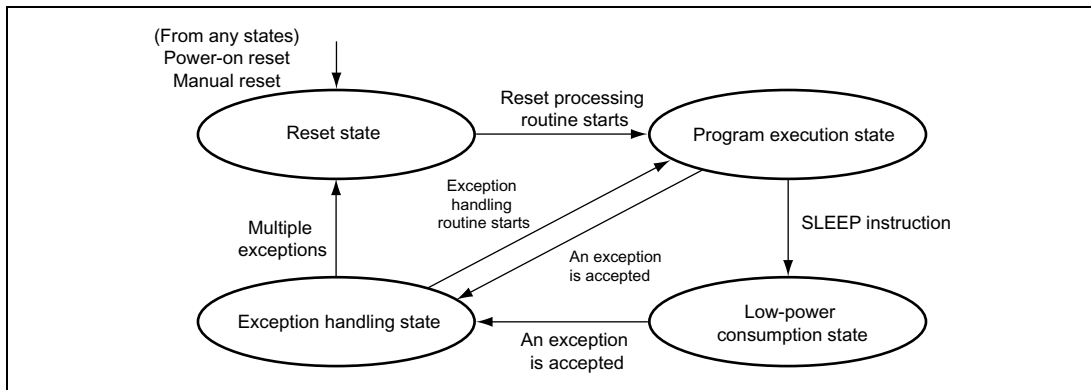


Figure 2.1 Processing State Transitions



## 2.2 Memory Map

### 2.2.1 Logical Address Space

The LSI supports 32-bit logical addresses and accesses system resources using the 4-Gbytes of logical address space. User programs and data are accessed from the logical address space. The logical address space is divided into several areas as shown in table 2.1.

**P0/U0 Area:** This area is called the P0 area when the CPU is in privileged mode and the U0 area when in user mode. For the P0 and U0 areas, access using the cache is enabled. The P0 and U0 areas are handled as address translatable areas.

If the cache is enabled, access to the P0 or U0 area is cached. If a P0 or U0 address is specified while the address translation unit is enabled, the P0 or U0 address is translated into a physical address based on translation information defined by the user.

If the CPU is in user mode, only the U0 area can be accessed. If P1, P2, P3, or P4 is accessed in user mode, a transition to an address error exception occurs.

**P1 Area:** The P1 area is defined as a cacheable but non-address translatable area. Normally, programs executed at high speed in privileged mode, such as exception processing handlers, which are at the core of the operating system (S), are assigned to the P1 area.

**P2 Area:** The P2 area is defined as a non-cacheable but non-address translatable area. A reset processing program to be called from the reset state is described at the start address (H'A0000000) of the P2 area. Normally, programs such as system initialization routines and OS initiation programs are assigned to the P2 area. To access a part of an on-chip module control register, its corresponding program should be assigned to the P2 area.

**P3 Area:** The P3 area is defined as a cacheable and address translatable area. This area is used if an address translation is required for a privileged program.

**P4 Area:** The P4 area is defined as a control area which is non-cacheable and non-address translatable. This area can be accessed only in privileged mode. A part of this LSI's on-chip module control register is assigned to this area.

**Table 2.1 Logical Address Space**

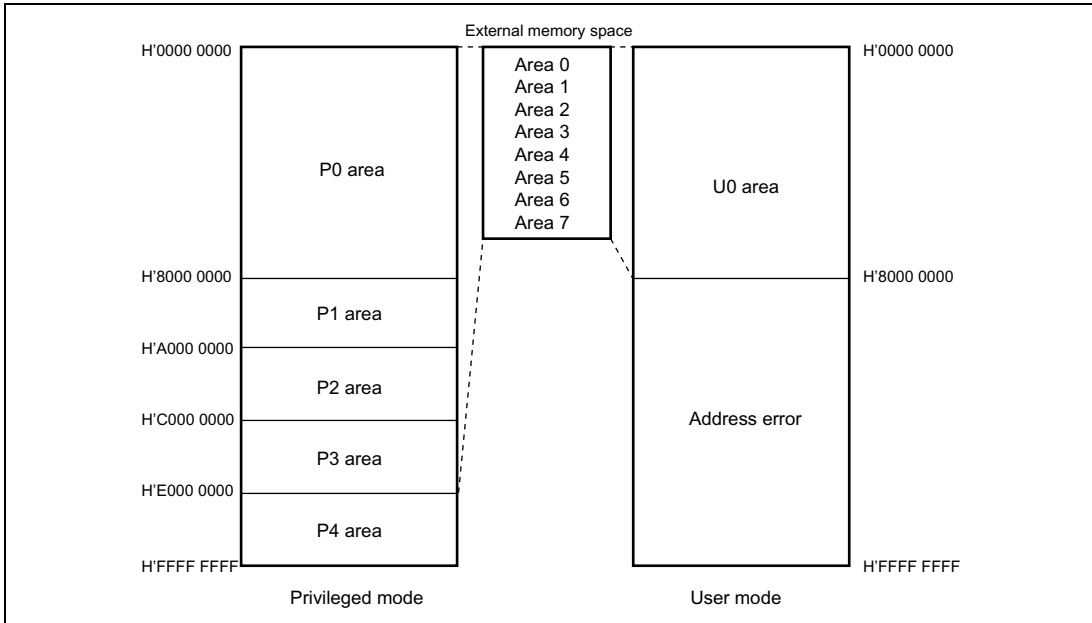
| <b>Address Range</b>     | <b>Name</b> | <b>Mode</b>          | <b>Description</b>  |
|--------------------------|-------------|----------------------|---|
| H'00000000 to H'7FFFFFFF | P0/U0       | Privileged/user mode | 2-Gbyte physical space, cacheable, address translatable<br><br>In user mode, only this address space can be accessed. |
| H'80000000 to H'9FFFFFFF | P1          | Privileged mode      | 0.5-Gbyte physical space, cacheable   |
| H'A0000000 to H'BFFFFFFF | P2          | Privileged mode      | 0.5-Gbyte physical space, non-cacheable   |
| H'C0000000 to H'DFFFFFFF | P3          | Privileged mode      | 0.5-Gbyte physical space, cacheable, address translatable   |
| H'E0000000 to H'FFFFFFF  | P4          | Privileged mode      | 0.5-Gbyte control space, non-cacheable  |

### 2.2.2 External Memory Space

The LSI uses 29 bits of the 32-bit logical address to access external memory. In this case, 0.5-Gbyte of external memory space can be accessed. The external memory space is managed in area units. Different types of memory can be connected to each area, as shown in figure 2.2. For details, please refer to section 7, Bus State Controller (BSC). In addition, area 1 in the external memory space is used as an on-chip I/O space where most of this LSI's on-chip module control registers are mapped. \*<sup>1</sup>

Normally, the upper three bits of the 32-bit logical address are masked and the lower 29 bits are used for external memory addresses.\*<sup>2</sup> For example, address H'00000100 in the P0 area, address H'80000100 in the P1 area, address H'A0000100 in the P2 area, and address H'C0000100 in the P3 area of the logical address space are mapped into address H'00000100 of area 0 in the external memory space. The P4 area in the logical address space is not mapped into the external memory address. If an address in the P4 area is accessed, an external memory cannot be accessed.

- Notes: 1. To access an on-chip module control register mapped into area 1 in the external memory space, access the address from the P2 area which is not cached in the logical address space.
2. If the address translation unit is enabled, arbitrary mapping in page units can be specified. For details, refer to section 3, Memory Management Unit (MMU).



**Figure 2.2 Logical Address to External Memory Space Mapping**

## 2.3 Register Descriptions

This LSI provides thirty-three 32-bit registers: 24 general registers, five control registers, three system registers, and one program counter.

**General Registers:** This LSI incorporates 24 general registers: R0\_BANK0 to R7\_BANK0, R0\_BANK1 to R7\_BANK1 and R8 to R15. R0 to R7 are banked. The process mode and the register bank (RB) bit in the status register (SR) define which set of banked registers (R0\_BANK0 to R7\_BANK0 or R0\_BANK1 to R7\_BANK1) are accessed as general registers.

**System Registers:** This LSI incorporates the multiply and accumulate registers (MACH/MACL) and procedure register (PR) as system registers. These registers can be accessed regardless of the processing mode.

**Program Counter:** The program counter stores the value obtained by adding 4 to the current instruction address.

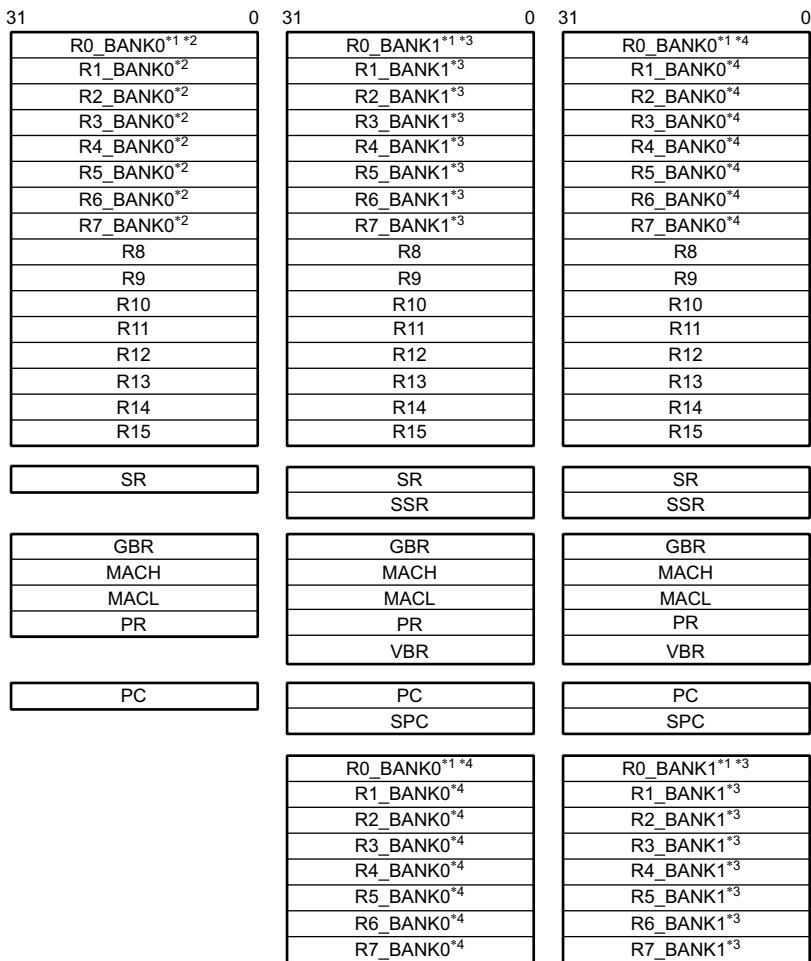
**Control Registers:** This LSI incorporates the status register (SR), global base register (GBR), save status register (SSR), save program counter (SPC), and vector base register (VBR) as control register. Only the GBR can be accessed in user mode. Control registers other than the GBR can be accessed only in privileged mode.

Table 2.2 shows the register values after reset. Figure 2.3 shows the register configurations in each process mode.

**Table 2.2 Register Initial Values**

| <b>Register Type</b> | <b>Registers</b>  | <b>Initial Values</b>   |
|----------------------|---|---|
| General registers    | R0_BANK0 to R7_BANK0,<br>R0_BANK1 to R7_BANK1,<br>R8 to R15 | Undefined   |
| System registers     | MACH, MACL, PR  | Undefined   |
| Program counter      | PC  | H'A0000000  |
| Control registers    | SR  | MD bit = 1, RB bit = 1, BL bit = 1, I3 to I0<br>bits = H'F (1111), reserved bits = all 0, other<br>bits = undefined |
|                      | GBR, SSR, SPC   | Undefined   |
|                      | VBR   | H'00000000  |

Note:\* Initialized by a power-on or manual reset.



(a) User mode register configuration

(b) Privileged mode register configuration (RB = 1)

(c) Privileged mode register configuration (RB = 0)

- Notes:
1. The R0 register is used as an index register in indexed register indirect addressing mode and indexed GBR indirect addressing mode.
  2. Bank register
  3. Bank register  
Accessed as a general register when the RB bit is set to 1 in the SR register.  
Accessed only by LDC/STC instructions when the RB bit is cleared to 0.
  4. Bank register  
Accessed as a general register when the RB bit is cleared to 0 in the SR register.  
Accessed only by LDC/STC instructions when the RB bit is set to 1.

**Figure 2.3 Register Configuration in Each Processing Mode**

### 2.3.1 General Registers

There are twenty-four 32-bit general registers: R0\_BANK0 to R7\_BANK0, R0\_BANK1 to R7\_BANK1, and R8 to R15. R0 to R7 are banked. The process mode and the register bank (RB) bit in the status register (SR) define which set of banked registers (R0\_BANK0 to R7\_BANK0 or R0\_BANK1 to R7\_BANK1) are accessed as general registers. R0 to R7 registers in the selected bank are accessed as R0 to R7. R0 to R7 in the non-selected bank is accessed as R0\_BANK to R7\_BANK by the control register load instruction (LDC) and control register store instruction (STC).

In user mode, bank 0 is selected regardless of the RB bit value. Sixteen registers: R0\_BANK0 to R7\_BANK0 and R8 to R15 are accessed as general registers R0 to R15. The R0\_BANK1 to R7\_BANK1 registers in bank 1 cannot be accessed.

In privileged mode that is entered by a transition to exception handling state, the RB bit is set to 1 to select bank 1. In privileged mode, sixteen registers: R0\_BANK1 to R7\_BANK1 and R8 to R15 are accessed as general registers R0 to R15. A bank is switched automatically when an exception handling state is entered, registers R0 to R7 need not be saved by the exception handling routine. The R0\_BANK0 to R7\_BANK0 registers in bank 0 can be accessed as R0\_BANK to R7\_BANK by the LDC and STC instructions.

In privileged mode, bank 0 can also be used as general registers by clearing the RB bit to 0. In this case, sixteen registers: R0\_BANK0 to R7\_BANK0 and R8 to R15 are accessed as general registers R0 to R15. The R0\_BANK1 to R7\_BANK1 registers in bank 1 can be accessed as R0\_BANK to R7\_BANK by the LDC and STC instructions.

The general registers R0 to R15 are used as equivalent registers for almost all instructions. In some instructions, the R0 register is automatically used or only the R0 register can be used as source or destination registers.

|        |   |
|--------|---|
| 31     | 0 |
| R0*1*2 |   |
| R1*2   |   |
| R2*2   |   |
| R3*2   |   |
| R4*2   |   |
| R5*2   |   |
| R6*2   |   |
| R7*2   |   |
| R8     |   |
| R9     |   |
| R10    |   |
| R11    |   |
| R12    |   |
| R13    |   |
| R14    |   |
| R15    |   |

General Registers: Undefined after reset

- Notes:
1. R0 functions as an index register in the indexed register-indirect addressing mode and indexed GBR-indirect addressing mode. In some instructions, only R0 can be used as the source or destination register.
  2. R0–R7 are banked registers. In user mode, BANK0 is used. In privileged mode, either R0\_BANK0 to R7\_BANK0 or R0\_BANK1 to R7\_BANK1 is selected by the RB bit of the SR register.

**Figure 2.4 General Registers**

### 2.3.2 System Registers

The system registers: multiply and accumulate registers (MACH/MACL) and procedure register (PR) as system registers can be accessed by the LDS and STS instructions.

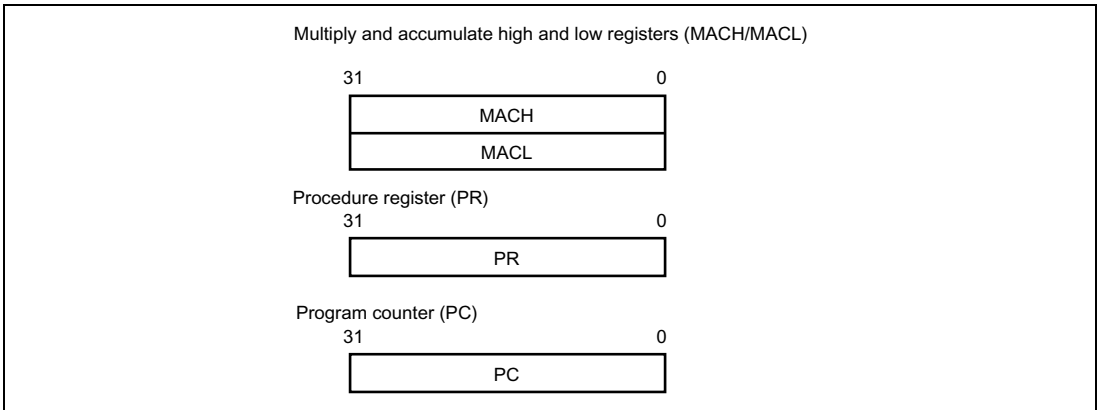
**Multiply and Accumulate Registers (MACH/MACL):** The multiply and accumulate registers (MACH/MACL) store the results of multiplication and accumulation instructions or multiplication instructions. The MACH/MACL registers also store addition values for the multiplication and accumulations. After reset, these registers are undefined. The MACH and MACL registers store upper 32 bits and lower 32 bits, respectively.

**Procedure Register (PR):** The procedure register (PR) stores the return address for a subroutine call using the BSR, BSRF, or JSR instruction. The return address stored in the PR register is restored to the program counter (PC) by the RTS (return from the subroutine) instruction. After reset, this register is undefined.

### 2.3.3 Program Counter

The program counter (PC) stores the value obtained by adding 4 to the current instruction address. There is no instruction to read the PC directly. Before an exception handling state is entered, the PC is saved in the save program counter (SPC). Before a subroutine call is executed, the PC is saved in the procedure register (PR). In addition, the PC can be used for PC relative addressing mode.

Figure 2.5 shows the system register and program counter configurations.



**Figure 2.5 System Registers and Program Counter**



### 2.3.4 Control Registers

The control registers (SR, GBR, SSR, SPC, and VBR) can be accessed by the LDC or STC instruction in privileged mode. The GBR register can be accessed in the user mode.

The control registers are described below.

**Status Register (SR):** The status register (SR) indicates the system status as shown below. The SR register can be accessed only in privileged mode.

| Bit      | Bit Name | Initial Value | R/W | Description  |
|----------|----------|---------------|-----|--|
| 31       | —        | 0             | R   | Reserved<br>This bit is always read as 0. The write value should always be 0.  |
| 30       | MD       | 1             | R/W | Processing Mode<br>Indicates the CPU processing mode.<br>0: User mode<br>1: Privileged mode<br>The MD bit is set to 1 in reset or exception handling state.  |
| 29       | RB       | 1             | R/W | Register Bank<br>The general registers R0 to R7 are banked registers. The RB bit selects a bank used in the privileged mode.<br>0: Selects bank 0 registers. In this case, R0_BANK0 to R7_BANK0 and R8 to R15 are used as general registers. R0_BANK1 to R7_BANK1 can be accessed by the LDC or STR instruction.<br>1: Selects bank 1 registers. In this case, R0_BANK1 to R7_BANK1 and R8 to R15 are used as general registers. R0_BANK0 to R7_BANK0 can be accessed by the LDC or STR instruction.<br>The RB bit is set to 1 in reset or exception handling state. |
| 28       | BL       | 1             | R/W | Block<br>Specifies whether an exception, interrupt, or user break is enabled or not.<br>0: Enables an exception, interrupt, or user break.<br>1: Disables an exception, interrupt, or user break.<br>The BL bit is set to 1 in reset or exception handling state.  |
| 27 to 10 | —        | 0             | R   | Reserved<br>These bits are always read as 0. The write value should always be 0.   |

| Bit   | Bit Name | Initial Value | R/W | Description     |
|---|----------|---------------|-----|-----------------|
| 9   | M        | —             | R/W | M Bit           |
| 8   | Q        | —             | R/W | Q Bit           |
| <p>These bits are used by the DIV0S, DIV0U, and DIV1 instructions. These bits can be changed even in user mode by using the DIV0S, DIV0U, and DIV1 instructions. These bits are undefined at reset. These bits do not change in an exception handling state.</p>  |          |               |     |                 |
| 7 to 4  | I3 to I0 | 1             | R/W | Interrupt Mask  |
| <p>Indicates the interrupt mask level. These bits do not change even if an interrupt occurs. At reset, these bits are initialized to B'1111. These bits are not affected in an exception handling state.</p>  |          |               |     |                 |
| 3, 2  | —        | 0             | R   | Reserved        |
| <p>These bits are always read as 0. The write value should always be 0.</p>   |          |               |     |                 |
| 1   | S        | —             | R/W | Saturation Mode |
| <p>Specifies the saturation mode for multiply instructions or multiply and accumulate instructions. This bit can be specified by the SETS and CLRS instructions in user mode.</p> <p>At reset, this bit is undefined. This bit is not affected in an exception handling state.</p>                                  |          |               |     |                 |
| 0   | T        | —             | R/W | T Bit           |
| <p>Indicates true or false for compare instructions or carry or borrow occurrence for an operation instruction with carry or borrow. This bit can be specified by the SETT and CLRT instructions in user mode.</p> <p>At reset, this bit is undefined. This bit is not affected in an exception handling state.</p> |          |               |     |                 |

Note: The M, Q, S, and T bits can be set/cleared by the user mode specific instructions. Other bits can be read or written in privileged mode.

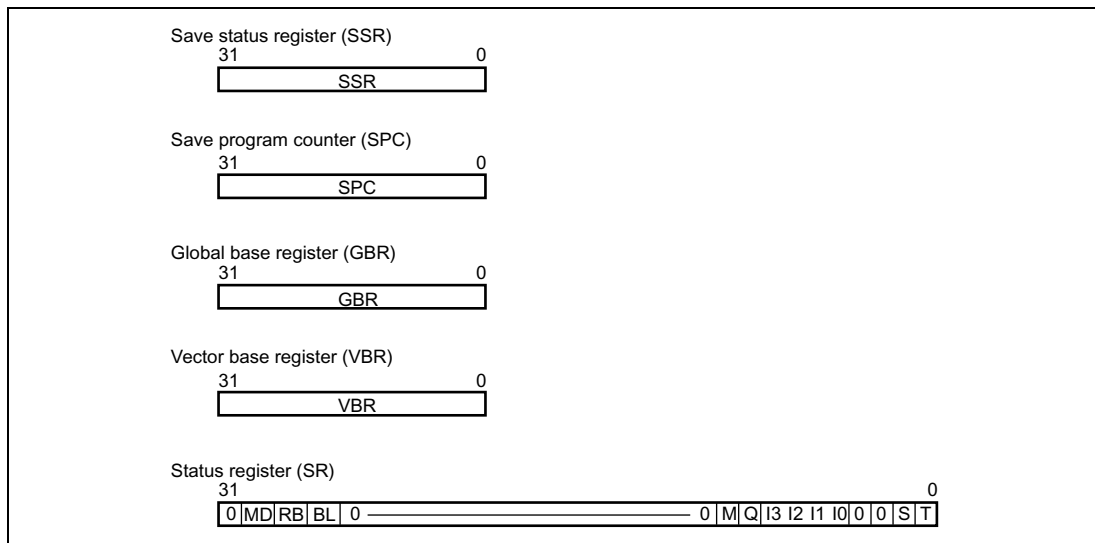
**Save Status Register (SSR):** The save status register (SSR) can be accessed only in privileged mode. Before entering the exception, the contents of the SR register is stored in the SSR register. At reset, the SSR initial value is undefined.

**Save Program Counter (SPC):** The save program counter (SPC) can be accessed only in privileged mode. Before entering the exception, the contents of the PC are stored in the SPC. At reset, the SPC initial value is undefined.

**Global Base Register (GBR):** The global base register (GBR) is referenced as a base register in GBR indirect addressing mode. At reset, the GBR initial value is undefined.

**Vector Base Register (VBR):** The global base register (GBR) can be accessed only in privileged mode. If a transition from reset state to exception handling state occurs, this register is referenced as a base address. For details, refer to section 5, Exception Handling. At reset, the VBR is initialized as H'00000000.

Figure 2.6 shows the control register configuration.

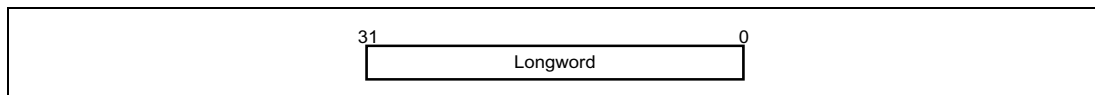


**Figure 2.6 Control Register Configuration**

## 2.4 Data Formats

### 2.4.1 Register Data Format

Register operands are always longwords (32 bits). When the memory operand is only a byte (8 bits) or a word (16 bits), it is sign-extended into a longword when loaded into a register.



## 2.4.2 Memory Data Formats

Memory data formats are classified into byte, word, and longword. Memory can be accessed in byte, word, and longword. When the memory operand is only a byte (8 bits) or a word (16 bits), it is sign-extended into a longword when loaded into a register.

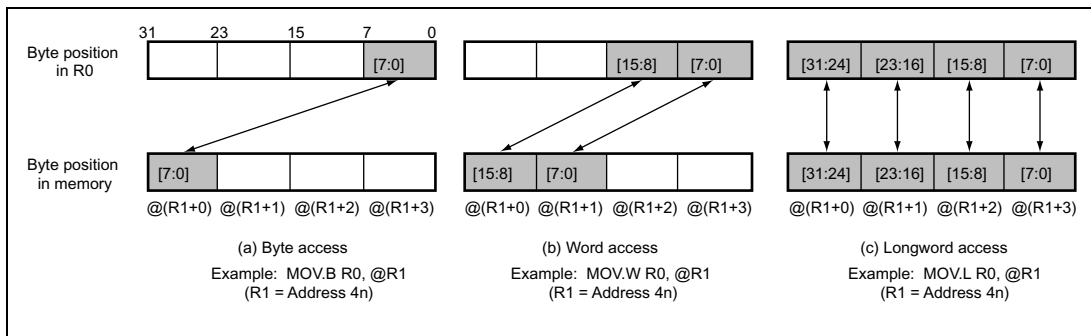
An address error will occur if word data starting from an address other than  $2n$  or longword data starting from an address other than  $4n$  is accessed. In such cases, the data accessed cannot be guaranteed.

When a word or longword operand is accessed, the byte positions on the memory corresponding to the word or longword data on the register is determined to the specified endian mode (big endian or little endian).

Figure 2.7 shows a byte correspondence in big endian mode. In big endian mode, the MSB byte in the register corresponds to the lowest address in the memory, and the LSB the in the register corresponds to the highest address. For example, if the contents of the general register R0 is stored at an address indicated by the general register R1 in longword, the MSB byte of the R0 is stored at the address indicated by the R1 and the LSB byte of the R1 register is stored at the address indicated by the  $(R1 + 3)$ .

The on-chip device registers assigned to memory are accessed in big endian mode. Note that the available access size (byte, word, or long word) differs in each register.

Note: The CPU instruction codes of this LSI must be stored in word units. In big endian mode, the instruction code must be stored from upper byte to lower byte in this order from the word boundary of the memory.



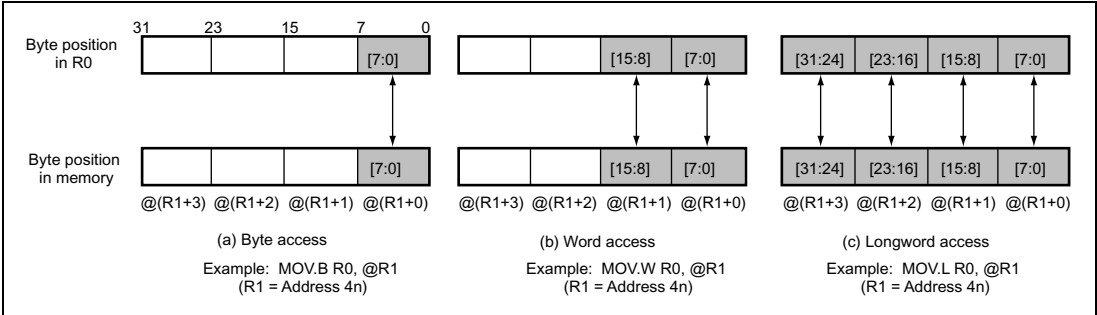
**Figure 2.7 Data Format on Memory (Big Endian Mode)**

The little endian mode can also be specified as data format. Either big-endian or little-endian mode can be selected according to the MD5 pin at reset. When MD5 is low at reset, the processor operates in big-endian mode. When MD5 is high at reset, the processor operates in little-endian mode. The endian mode cannot be modified dynamically.

In little endian mode, the MSB byte in the register corresponds to the highest address in the memory, and the LSB the in the register corresponds to the lowest address (figure 2.8). For example, if the contents of the general register R0 is stored at an address indicated by the general register R1 in longword, the MSB byte of the R0 is stored at the address indicated by the (R1+3) and the LSB byte of the R1 register is stored at the address indicated by the R1.

If the little endian mode is selected, the on-chip device registers assigned to memory are accessed in big endian mode. Note that the available access size (byte, word, or long word) differs in each register.

Note: The CPU instruction codes of this LSI must be stored in word units. In little endian mode, the instruction code must be stored from lower byte to upper byte in this order from the word boundary of the memory.



**Figure 2.8 Data Format on Memory (Little Endian Mode)**

## 2.5 Features of CPU Core Instructions

### 2.5.1 Instruction Execution Method

**Instruction Length:** All instructions have a fixed length of 16 bits and are executed in the sequential pipeline. In the sequential pipeline, almost all instructions can be executed in one cycle. All data items are handles in longword (32 bits). Memory can be accessed in byte, word, or longword. In this case, Memory byte or word data is sign-extended and operated on as longword data. Immediate data is sign-extended to longword size for arithmetic operations (MOV, ADD, and CMP/EQ instructions) or zero-extended to longword size for logical operations (TST, AND, OR, and XOR instructions).

**Load/Store Architecture:** Basic operations are executed between registers. In operations involving memory, data is first loaded into a register (load/store architecture). However, bit manipulation instructions such as AND are executed directly on memory.

**Delayed Branching:** Unconditional branch instructions are executed as delayed branches. With a delayed branch instruction, the branch is made after execution of the instruction (called the slot instruction) immediately following the delayed branch instruction. This minimizes disruption of the pipeline when a branch is made.

This LSI supports two types of conditional branch instructions: delayed branch instruction or normal branch instruction.

Example:   BRA       TARGET  
          ADD     R1, R0       ; ADD is executed before branching to the TARGET

**T Bit:** The result of a comparison is indicated by the T bit in the status register (SR), and a conditional branch is performed according to whether the result is True or False. Processing speed has been improved by keeping the number of instructions that modify the T bit to a minimum.

Example:   ADD       #1, R0       ; The T bit cannot be modified by the ADD instruction  
          CMP/EQ   #0, R0       ; The T bit is set to 1 if R0 is 0.  
          BT       Target       ; Branch to TARGET if the T bit is set to 1 (R0=0).

**Literal Constant:** Byte literal constant is placed inside the instruction code as immediate data. Since the instruction length is fixed to 16 bits, word and longword literal constant is not placed inside the instruction code, but in a table in memory. The table in memory is referenced with a MOV instruction using PC-relative addressing mode with displacement.

Example:   MOV.W     @(disp, PC)

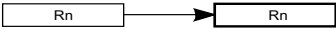
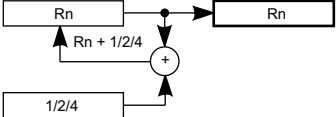
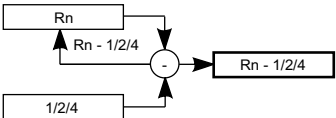
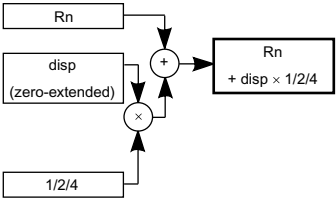
**Absolute Addresses:** When data is referenced by absolute address, the absolute address value is placed in a table in memory beforehand as well as word or longword literal constant. Using the method whereby immediate data is loaded when an instruction is executed, this value is transferred to a register and the data is referenced using register indirect addressing mode.

**16-Bit/32-Bit Displacement:** When data is referenced with a 16- or 32-bit displacement, the displacement value is placed in a table in memory beforehand. Using the method whereby word or longword immediate data is loaded when an instruction is executed, this value is transferred to a register and the data is referenced using indexed register indirect addressing mode.

## 2.5.2 CPU Instruction Addressing Modes

The following table shows addressing modes and effective address calculation methods for instructions executed by the CPU core.

**Table 2.3 Addressing Modes and Effective Addresses for CPU Instructions**

| Addressing Mode                       | Instruction Format | Effective Address Calculation Method  | Calculation Formula   |
|---------------------------------------|--------------------|---|---|
| Register direct                       | Rn                 | Effective address is register Rn.<br>(Operand is register Rn contents.)   | —   |
| Register indirect                     | @Rn                | Effective address is register Rn contents.<br>   | Rn  |
| Register indirect with post-increment | @Rn+               | Effective address is register Rn contents. A constant is added to Rn after instruction execution: 1 for a byte operand, 2 for a word operand, 4 for a longword operand.<br>                              | Rn<br>After instruction execution<br>Byte: $Rn + 1 \rightarrow Rn$<br>Word: $Rn + 2 \rightarrow Rn$<br>Longword: $Rn + 4 \rightarrow Rn$                |
| Register indirect with pre-decrement  | @-Rn               | Effective address is register Rn contents, decremented by a constant beforehand: 1 for a byte operand, 2 for a word operand, 4 for a longword operand.<br>   | Byte: $Rn - 1 \rightarrow Rn$<br>Word: $Rn - 2 \rightarrow Rn$<br>Longword: $Rn - 4 \rightarrow Rn$<br>(Instruction executed with Rn after calculation) |
| Register indirect with displacement   | @(disp:4, Rn)      | Effective address is register Rn contents with 4-bit displacement disp added. After disp is zero-extended, it is multiplied by 1 (byte), 2 (word), or 4 (longword), according to the operand size.<br> | Byte: $Rn + disp$<br>Word: $Rn + disp \times 2$<br>Longword: $Rn + disp \times 4$   |



| Addressing Mode                | Instruction Format | Effective Address Calculation Method  | Calculation Formula  |
|--------------------------------|--------------------|---|--|
| Indexed register indirect      | @(R0, Rn)          | Effective address is sum of register Rn and R0 contents.  | $Rn + R0$  |
|                                |                    |   |  |
| GBR indirect with displacement | @(disp:8, GBR)     | Effective address is register GBR contents with 8-bit displacement disp added. After disp is zero-extended, it is multiplied by 1 (byte), 2 (word), or 4 (longword), according to the operand size.                               | Byte: $GBR + disp$<br>Word: $GBR + disp \times 2$<br>Longword: $GBR + disp \times 4$ |
|                                |                    |   |  |
| Indexed GBR indirect           | @(R0, GBR)         | Effective address is sum of register GBR and R0 contents.   | $GBR + R0$   |
|                                |                    |   |  |
| PC-relative with displacement  | @(disp:8, PC)      | Effective address is PC with 8-bit displacement disp added. After disp is zero-extended, it is multiplied by 2 (word) or 4 (longword), according to the operand size. With a longword operand, the lower 2 bits of PC are masked. | Word: $PC + disp \times 2$<br>Longword: $PC \& H'FFFFFFC + disp \times 4$            |
|                                |                    |   |  |
| *: With longword operand       |                    |   |  |

| Addressing Mode | Instruction Format | Effective Address Calculation Method  | Calculation Formula  |
|-----------------|--------------------|---|----------------------|
| PC-relative     | disp:8             | Effective address is PC with 8-bit displacement disp added after being sign-extended and multiplied by 2. | $PC + disp \times 2$ |
|                 |                    |   |                      |
|                 | disp:12            | Effective address is PC with 12-bit displacement disp added after being sign-extended and multiplied by 2 | $PC + disp \times 2$ |
|                 |                    |   |                      |
|                 | Rn                 | Effective address is sum of PC and Rn.  | $PC + Rn$            |
|                 |                    |   |                      |
| Immediate       | #imm:8             | 8-bit immediate data imm of TST, AND, OR, or XOR instruction is zero-extended.                            | —                    |
|                 | #imm:8             | 8-bit immediate data imm of MOV, ADD, or CMP/EQ instruction is sign-extended.                             | —                    |
|                 | #imm:8             | 8-bit immediate data imm of TRAPA instruction is zero-extended and multiplied by 4.                       | —                    |

Note: For addressing modes with displacement (disp) as shown below, the assembler description in this manual indicates the value before it is scaled (x 1, x2, or x4) according to the operand size to clarify the LSI operation. For details on assembler description, refer to the description rules in each assembler.

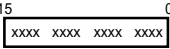
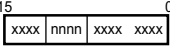
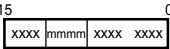
- @ (disp:4, Rn) ; Register indirect with displacement
- @ (disp:8, Rn) ; GBR indirect with displacement
- @ (disp:8, PC) ; PC relative with displacement
- disp:8, disp ; PC relative

## 2.5.3 CPU Instruction Formats

Table 2.4 shows the instruction formats, and the meaning of the source and destination operands, for instructions executed by the CPU core. The meaning of the operands depends on the instruction code. The following symbols are used in the table.

|       |                      |
|-------|----------------------|
| xxxx: | Instruction code     |
| mmmm: | Source register      |
| nnnn: | Destination register |
| iiii: | Immediate data       |
| dddd: | Displacement         |

**Table 2.4 CPU Instruction Formats**

| Instruction Format   | Source Operand                         | Destination Operand                   | Sample Instruction |
|--|--|---------------------------------------|--------------------|
| 0 type<br>   | —                                      | —                                     | NOP                |
| n type<br>   | —                                      | nnnn: register direct                 | MOVT Rn            |
|  | Control register or system register    | nnnn: register direct                 | STS MACH,Rn        |
|  | Control register or system register    | nnnn: pre-decrement register indirect | STC.L SR,@-Rn      |
| m type<br> | mmmm: register direct                  | Control register or system register   | LDC Rm,SR          |
|  | mmmm: post-increment register indirect | Control register or system register   | LDC.L @Rm+,SR      |
|  | mmmm: register indirect                | —                                     | JMP @Rm            |
|  | PC-relative using Rm                   | —                                     | BRAF Rm            |

| Instruction Format   | Source Operand   | Destination Operand                   | Sample Instruction  |      |   |  |                     |
|--|--|---------------------------------------|---------------------|------|---|--|---------------------|
| nm type<br><div style="border: 1px solid black; padding: 2px; width: fit-content; margin-top: 5px;"> <span style="float: left;">15</span> <span style="float: right;">0</span> <table style="width: 100%; border-collapse: collapse;"> <tr> <td style="border: 1px solid black; width: 25%;">xxxx</td> <td style="border: 1px solid black; width: 25%;">nnnn</td> <td style="border: 1px solid black; width: 25%;">mmmm</td> <td style="border: 1px solid black; width: 25%;">xxxx</td> </tr> </table> </div>  | xxxx   | nnnn                                  | mmmm                | xxxx | mmmm: register direct                     | nnnn: register direct                        | ADD Rm,Rn           |
| xxxx   | nnnn   | mmmm                                  | xxxx                |      |   |  |                     |
|  | mmmm: register indirect  | nnnn: register indirect               | MOV.L Rm,@Rn        |      |   |  |                     |
|  | mmmm: post-increment register indirect (multiply-and-accumulate operation)<br>nnnn: * post-increment register indirect (multiply-and-accumulate operation) | MACH, MACL                            | MAC.W @Rm+,@Rn+     |      |   |  |                     |
|  | mmmm: post-increment register indirect   | nnnn: register direct                 | MOV.L @Rm+,Rn       |      |   |  |                     |
|  | mmmm: register direct  | nnnn: pre-decrement register indirect | MOV.L Rm,@-Rn       |      |   |  |                     |
|  | mmmm: register direct  | nnnn: indexed register indirect       | MOV.L Rm,@(R0,Rn)   |      |   |  |                     |
| md type<br><div style="border: 1px solid black; padding: 2px; width: fit-content; margin-top: 5px;"> <span style="float: left;">15</span> <span style="float: right;">0</span> <table style="width: 100%; border-collapse: collapse;"> <tr> <td style="border: 1px solid black; width: 25%;">xxxx</td> <td style="border: 1px solid black; width: 25%;">xxxx</td> <td style="border: 1px solid black; width: 25%;">mmmm</td> <td style="border: 1px solid black; width: 25%;">dddd</td> </tr> </table> </div>  | xxxx   | xxxx                                  | mmmm                | dddd | mddd: register indirect with displacement | R0 (register direct)                         | MOV.B @(disp,Rm),R0 |
| xxxx   | xxxx   | mmmm                                  | dddd                |      |   |  |                     |
| nd4 type<br><div style="border: 1px solid black; padding: 2px; width: fit-content; margin-top: 5px;"> <span style="float: left;">15</span> <span style="float: right;">0</span> <table style="width: 100%; border-collapse: collapse;"> <tr> <td style="border: 1px solid black; width: 25%;">xxxx</td> <td style="border: 1px solid black; width: 25%;">xxxx</td> <td style="border: 1px solid black; width: 25%;">nnnn</td> <td style="border: 1px solid black; width: 25%;">dddd</td> </tr> </table> </div> | xxxx   | xxxx                                  | nnnn                | dddd | R0 (register direct)                      | nnndddd: register indirect with displacement | MOV.B R0,@(disp,Rn) |
| xxxx   | xxxx   | nnnn                                  | dddd                |      |   |  |                     |
| nmd type<br><div style="border: 1px solid black; padding: 2px; width: fit-content; margin-top: 5px;"> <span style="float: left;">15</span> <span style="float: right;">0</span> <table style="width: 100%; border-collapse: collapse;"> <tr> <td style="border: 1px solid black; width: 25%;">xxxx</td> <td style="border: 1px solid black; width: 25%;">nnnn</td> <td style="border: 1px solid black; width: 25%;">mmmm</td> <td style="border: 1px solid black; width: 25%;">dddd</td> </tr> </table> </div> | xxxx   | nnnn                                  | mmmm                | dddd | mddd: register direct                     | nnndddd: register indirect with displacement | MOV.L Rm,@(disp,Rn) |
| xxxx   | nnnn   | mmmm                                  | dddd                |      |   |  |                     |
|  | mddd: register indirect with displacement  | nnnn: register direct                 | MOV.L @(disp,Rm),Rn |      |   |  |                     |

| Instruction Format | Source Operand                                 | Destination Operand                           | Sample Instruction           |
|--------------------|--|---|------------------------------|
| d type<br>         | dddddddd: GBR<br>indirect with<br>displacement | R0 (register direct)                          | MOV.L @(disp,GBR),R0         |
|                    | R0 (register direct)                           | ddddddd: GBR<br>indirect with<br>displacement | MOV.L R0,@(disp,GBR)         |
|                    | ddddddd:<br>PC-relative with<br>displacement   | R0 (register direct)                          | MOVA @(disp,PC),R0           |
|                    | ddddddd:<br>PC-relative                        | —   | BF label                     |
| d12 type<br>       | dddddddddd:<br>PC-relative                     | —   | BRA label<br>(label=disp+PC) |
| nd8 type<br>       | dddddddd: PC-<br>relative with<br>displacement | nnn: register<br>direct                       | MOV.L @(disp,PC),Rn          |
| i type<br>         | iiiiii: immediate                              | Indexed GBR<br>indirect                       | AND.B #imm,@(R0,GBR)         |
|                    | iiiiiii: immediate                             | R0 (register direct)                          | AND #imm,R0                  |
|                    | iiiiiii: immediate                             | —   | TRAPA #imm                   |
| ni type<br>        | iiiiii: immediate                              | nnn: register<br>direct                       | ADD #imm,Rn                  |

Note: \* In multiply-and-accumulate instructions, nnn is the source register.

## 2.6 Instruction Set

### 2.6.1 CPU Instruction Set Based on Functions

The CPU instruction set consists of 68 basic instruction types divided into six functional groups, as shown in table 2.5. Tables 2.6 to 2.11 show the instruction notation, machine code, execution time, and function.

**Table 2.5 CPU Instruction Types**

| Type                       | Kinds of Instruction  | Op Code                           | Function   | Number of Instructions |      |                            |    |
|----------------------------|---|-----------------------------------|--|------------------------|------|----------------------------|----|
| Data transfer instructions | 5   | MOV                               | Data transfer<br>Immediate data transfer<br>Peripheral module data transfer<br>Structure data transfer | 39                     |      |                            |    |
|                            |   | MOVA                              | Effective address transfer   |                        |      |                            |    |
|                            |   | MOVT                              | T bit transfer   |                        |      |                            |    |
|                            |   | SWAP                              | Upper/lower swap   |                        |      |                            |    |
|                            |   | XTRCT                             | Extraction of middle of linked registers   |                        |      |                            |    |
|                            |   | Arithmetic operation instructions | 21   |                        | ADD  | Binary addition            | 33 |
|                            |   |                                   |  |                        | ADDC | Binary addition with carry |    |
| ADDV                       | Binary addition with overflow check                               |                                   |  |                        |      |                            |    |
| CMP/cond                   | Comparison  |                                   |  |                        |      |                            |    |
| DIV1                       | Division  |                                   |  |                        |      |                            |    |
| DIV0S                      | Signed division initialization                                    |                                   |  |                        |      |                            |    |
| DIV0U                      | Unsigned division initialization                                  |                                   |  |                        |      |                            |    |
| DMULS                      | Signed double-precision multiplication                            |                                   |  |                        |      |                            |    |
| DMULU                      | Unsigned double-precision multiplication                          |                                   |  |                        |      |                            |    |
| DT                         | Decrement and test  |                                   |  |                        |      |                            |    |
| EXTS                       | Sign extension  |                                   |  |                        |      |                            |    |
| EXTU                       | Zero extension  |                                   |  |                        |      |                            |    |
| MAC                        | Multiply-and-accumulate, double-precision multiply-and-accumulate |                                   |  |                        |      |                            |    |
| MUL                        | Double-precision multiplication (32 × 32 bits)                    |                                   |  |                        |      |                            |    |

| Type                              | Kinds of Instruction  | Op Code | Function                               | Number of Instructions |
|-----------------------------------|-----------------------|---------|--|------------------------|
| Arithmetic operation instructions | 21                    | MULS    | Signed multiplication (16 × 16 bits)   | 33                     |
|                                   |                       | MULU    | Unsigned multiplication (16 × 16 bits) |                        |
|                                   |                       | NEG     | Sign inversion                         |                        |
|                                   |                       | NEGC    | Sign inversion with borrow             |                        |
|                                   |                       | SUB     | Binary subtraction                     |                        |
|                                   |                       | SUBC    | Binary subtraction with carry          |                        |
|                                   |                       | SUBV    | Binary subtraction with underflow      |                        |
| Logic operation instructions      | 6                     | AND     | Logical AND                            | 14                     |
|                                   |                       | NOT     | Bit inversion                          |                        |
|                                   |                       | OR      | Logical OR                             |                        |
|                                   |                       | TAS     | Memory test and bit setting            |                        |
|                                   |                       | TST     | Logical AND and T bit setting          |                        |
|                                   |                       | XOR     | Exclusive logical OR                   |                        |
| Shift instructions                | 12                    | ROTL    | 1-bit left shift                       | 16                     |
|                                   |                       | ROTR    | 1-bit right shift                      |                        |
|                                   |                       | ROTCL   | 1-bit left shift with T bit            |                        |
|                                   |                       | ROTCR   | 1-bit right shift with T bit           |                        |
|                                   |                       | SHAL    | Arithmetic 1-bit left shift            |                        |
|                                   |                       | SHAR    | Arithmetic 1-bit right shift           |                        |
|                                   |                       | SHLL    | Logical 1-bit left shift               |                        |
|                                   |                       | SHLLn   | Logical n-bit left shift               |                        |
|                                   |                       | SHLR    | Logical 1-bit right shift              |                        |
|                                   |                       | SHLRn   | Logical n-bit right shift              |                        |
|                                   |                       | SHAD    | Arithmetic dynamic shift               |                        |
| SHLD                              | Logical dynamic shift |         |  |                        |

| Type                        | Kinds of Instruction | Op Code | Function   | Number of Instructions |
|-----------------------------|----------------------|---------|--|------------------------|
| Branch instructions         | 9                    | BF      | Conditional branch, delayed conditional branch (T = 0) | 11                     |
|                             |                      | BT      | Conditional branch, delayed conditional branch (T = 1) |                        |
|                             |                      | BRA     | Unconditional branch                                   |                        |
|                             |                      | BRAF    | Unconditional branch                                   |                        |
|                             |                      | BSR     | Branch to subroutine procedure                         |                        |
|                             |                      | BSRF    | Branch to subroutine procedure                         |                        |
|                             |                      | JMP     | Unconditional branch                                   |                        |
|                             |                      | JSR     | Branch to subroutine procedure                         |                        |
|                             |                      | RTS     | Return from subroutine procedure                       |                        |
| System control instructions | 15                   | CLRT    | T bit clear  | 75                     |
|                             |                      | CLRMAC  | MAC register clear                                     |                        |
|                             |                      | CLRS    | S bit clear  |                        |
|                             |                      | LDC     | Load into control register                             |                        |
|                             |                      | LDS     | Load into system register                              |                        |
|                             |                      | LDTLB   | PTEH/PTEL load into TLB                                |                        |
|                             |                      | NOP     | No operation   |                        |
|                             |                      | PREF    | Data prefetch to cache                                 |                        |
|                             |                      | RTE     | Return from exception handling                         |                        |
|                             |                      | SETS    | S bit setting  |                        |
|                             |                      | SETT    | T bit setting  |                        |
|                             |                      | SLEEP   | Transition to power-down mode                          |                        |
|                             |                      | STC     | Store from control register                            |                        |
|                             |                      | STS     | Store from system register                             |                        |
|                             |                      | TRAPA   | Trap exception handling                                |                        |
| Total:                      | 68                   |         |  | 188                    |



The instruction code, operation, and number of execution states of the CPU instructions are shown in the following tables, classified by instruction type, using the format shown below.

| Instruction              | Instruction Code                 | Operation                              | Privilege                                 | Execution   |   |
|--------------------------|----------------------------------|--|---|---|---|
|                          |                                  |  |   | States  | T Bit   |
| Indicated by mnemonic.   | Indicated in MSB ↔<br>LSB order. | Indicates summary of<br>operation.     | Indicates a<br>privileged<br>instruction. | Value when<br>no wait<br>states are<br>inserted*1 | Value of T<br>bit after<br>instruction is<br>executed |
| Explanation of Symbols   | Explanation of Symbols           | Explanation of Symbols                 |   |   | Explanation<br>of Symbols                             |
| OP.Sz SRC, DEST          | mmmm: Source register            | →, ←: Transfer direction               |   |   | —: No<br>change                                       |
| OP: Operation code       | nxxx: Destination register       | (xx): Memory operand                   |   |   |   |
| Sz: Size                 | 0000: R0                         | M/Q/T: Flag bits in SR                 |   |   |   |
| SRC: Source              | 0001: R1                         |  |   |   |   |
| DEST: Destination        | .....                            | &: Logical AND of each bit             |   |   |   |
| Rm: Source register      | 1111: R15                        | : Logical OR of each bit               |   |   |   |
| Rn: Destination register | iiii: Immediate data             | ^: Exclusive logical OR of<br>each bit |   |   |   |
| imm: Immediate data      | dddd: Displacement*2             | ~: Logical NOT of each bit             |   |   |   |
| disp: Displacement       |                                  | <<n: n-bit left shift                  |   |   |   |
|                          |                                  | >>n: n-bit right shift                 |   |   |   |

- Notes: 1. The table shows the minimum number of execution states. In practice, the number of instruction execution states will be increased in cases such as the following:
- a. When there is a conflict between an instruction fetch and a data access
  - b. When the destination register of a load instruction (memory → register) is also used by the following instruction
2. Scaled (x1, x2, or x4) according to the instruction operand size, etc.

**Table 2.6 Data Transfer Instructions**

| Instruction         | Instruction Code | Operation                          | Privileged |              |
|---------------------|------------------|------------------------------------|------------|--------------|
|                     |                  |                                    | Mode       | Cycles T Bit |
| MOV #imm,Rn         | 1110nnnniiiiiii  | Imm → Sign extension → Rn          | –          | 1 –          |
| MOV.W @(disp,PC),Rn | 1001nnnnddddddd  | (disp x 2+PC)→Sign extension → Rn  | –          | 1 –          |
| MOV.L @(disp,PC),Rn | 1101nnnnddddddd  | (disp x 4+PC)→Rn                   | –          | 1 –          |
| MOV Rm,Rn           | 0110nnnnmmmm0011 | Rm→Rn                              | –          | 1 –          |
| MOV.B Rm,@Rn        | 0010nnnnmmmm0000 | Rm→(Rn)                            | –          | 1 –          |
| MOV.W Rm,@Rn        | 0010nnnnmmmm0001 | Rm→(Rn)                            | –          | 1 –          |
| MOV.L Rm,@Rn        | 0010nnnnmmmm0010 | Rm→(Rn)                            | –          | 1 –          |
| MOV.B @Rm,Rn        | 0110nnnnmmmm0000 | (Rm)→Sign extension→Rn             | –          | 1 –          |
| MOV.W @Rm,Rn        | 0110nnnnmmmm0001 | (Rm)→Sign extension→Rn             | –          | 1 –          |
| MOV.L @Rm,Rn        | 0110nnnnmmmm0010 | (Rm)→Rn                            | –          | 1 –          |
| MOV.B Rm,@-Rn       | 0010nnnnmmmm0100 | Rn-1→Rn, Rm→(Rn)                   | –          | 1 –          |
| MOV.W Rm,@-Rn       | 0010nnnnmmmm0101 | Rn-2→Rn, Rm→(Rn)                   | –          | 1 –          |
| MOV.L Rm,@-Rn       | 0010nnnnmmmm0110 | Rn-4→Rn, Rm→(Rn)                   | –          | 1 –          |
| MOV.B @Rm+,Rn       | 0110nnnnmmmm0100 | (Rm)→Sign extension→Rn,<br>Rm+1→Rm | –          | 1 –          |
| MOV.W @Rm+,Rn       | 0110nnnnmmmm0101 | (Rm)→Sign extension→Rn,<br>Rm+2→Rm | –          | 1 –          |
| MOV.L @Rm+,Rn       | 0110nnnnmmmm0110 | (Rm)→Rn, Rm+4→Rm                   | –          | 1 –          |
| MOV.B R0,@(disp,Rn) | 10000000nnnnddd  | R0→(disp+Rn)                       | –          | 1 –          |
| MOV.W R0,@(disp,Rn) | 10000001nnnnddd  | R0→(disp x 2+Rn)                   | –          | 1 –          |
| MOV.L Rm,@(disp,Rn) | 0001nnnnmmmmddd  | Rm→(disp x 4+Rn)                   | –          | 1 –          |
| MOV.B @(disp,Rm),R0 | 10000100mmmmddd  | (disp+Rm)→Sign extension→R0        | –          | 1 –          |
| MOV.W @(disp,Rm),R0 | 10000101mmmmddd  | (disp x 2+Rm)→Sign extension→R0    | –          | 1 –          |
| MOV.L @(disp,Rm),Rn | 0101nnnnmmmmddd  | (disp x 4+Rm)→Rn                   | –          | 1 –          |
| MOV.B Rm,@(R0,Rn)   | 0000nnnnmmmm0100 | Rm→(R0+Rn)                         | –          | 1 –          |
| MOV.W Rm,@(R0,Rn)   | 0000nnnnmmmm0101 | Rm→(R0+Rn)                         | –          | 1 –          |
| MOV.L Rm,@(R0,Rn)   | 0000nnnnmmmm0110 | Rm→(R0+Rn)                         | –          | 1 –          |

| Instruction | Instruction Code | Operation        | Privileged                       |              |   |   |
|-------------|------------------|------------------|----------------------------------|--------------|---|---|
|             |                  |                  | Mode                             | Cycles T Bit |   |   |
| MOV.B       | @(R0,Rm),Rn      | 0000nnnnmmmm1100 | (R0+Rm)→Sign extension→Rn        | –            | 1 | – |
| MOV.W       | @(R0,Rm),Rn      | 0000nnnnmmmm1101 | (R0+Rm)→Sign extension→Rn        | –            | 1 | – |
| MOV.L       | @(R0,Rm),Rn      | 0000nnnnmmmm1110 | (R0+Rm)→Rn                       | –            | 1 | – |
| MOV.B       | R0,@(disp,GBR)   | 11000000dddddddd | R0→(disp+GBR)                    | –            | 1 | – |
| MOV.W       | R0,@(disp,GBR)   | 11000001dddddddd | R0→(disp x 2+GBR)                | –            | 1 | – |
| MOV.L       | R0,@(disp,GBR)   | 11000010dddddddd | R0→(disp x 4+GBR)                | –            | 1 | – |
| MOV.B       | @(disp,GBR),R0   | 11000100dddddddd | (disp+GBR)→Sign extension→R0     | –            | 1 | – |
| MOV.W       | @(disp,GBR),R0   | 11000101dddddddd | (disp x 2+GBR)→Sign extension→R0 | –            | 1 | – |
| MOV.L       | @(disp,GBR),R0   | 11000110dddddddd | (disp x 4+GBR)→R0                | –            | 1 | – |
| MOVA        | @(disp,PC),R0    | 11000111dddddddd | disp x 4+PC→R0                   | –            | 1 | – |
| MOVT        | Rn               | 0000nnnn00101001 | T→Rn                             | –            | 1 | – |
| SWAP.B      | Rm,Rn            | 0110nnnnmmmm1000 | Rm→Swap lowest two bytes→Rn      | –            | 1 | – |
| SWAP.W      | Rm,Rn            | 0110nnnnmmmm1001 | Rm→Swap two consecutive words→Rn | –            | 1 | – |
| XTRCT       | Rm,Rn            | 0010nnnnmmmm1101 | Rm: Middle 32 bits of Rn →Rn     | –            | 1 | – |

**Table 2.7 Arithmetic Operation Instructions**

| Instruction |         | Instruction Code | Operation   | Privileged Mode | Cycles    | T Bit              |
|-------------|---------|------------------|---|-----------------|-----------|--------------------|
| ADD         | Rm,Rn   | 0011nnnnmmmm1100 | $Rn+Rm \rightarrow Rn$  | –               | 1         | –                  |
| ADD         | #imm,Rn | 0111nnnniiiiiii  | $Rn+imm \rightarrow Rn$   | –               | 1         | –                  |
| ADDC        | Rm,Rn   | 0011nnnnmmmm1110 | $Rn+Rm+T \rightarrow Rn$ , Carry $\rightarrow T$  | –               | 1         | Carry              |
| ADDV        | Rm,Rn   | 0011nnnnmmmm1111 | $Rn+Rm \rightarrow Rn$ , Overflow $\rightarrow T$   | –               | 1         | Overflow           |
| CMP/EQ      | #imm,R0 | 10001000iiiiiii  | If $R0 = imm$ , $1 \rightarrow T$   | –               | 1         | Comparison result  |
| CMP/EQ      | Rm,Rn   | 0011nnnnmmmm0000 | If $Rn = Rm$ , $1 \rightarrow T$  | –               | 1         | Comparison result  |
| CMP/HS      | Rm,Rn   | 0011nnnnmmmm0010 | If $Rn \geq Rm$ with unsigned data, $1 \rightarrow T$   | –               | 1         | Comparison result  |
| CMP/GE      | Rm,Rn   | 0011nnnnmmmm0011 | If $Rn \geq Rm$ with signed data, $1 \rightarrow T$   | –               | 1         | Comparison result  |
| CMP/HI      | Rm,Rn   | 0011nnnnmmmm0110 | If $Rn > Rm$ with unsigned data, $1 \rightarrow T$  | –               | 1         | Comparison result  |
| CMP/GT      | Rm,Rn   | 0011nnnnmmmm0111 | If $Rn > Rm$ with signed data, $1 \rightarrow T$  | –               | 1         | Comparison result  |
| CMP/PL      | Rn      | 0100nnnn00010101 | If $Rn \geq 0$ , $1 \rightarrow T$  | –               | 1         | Comparison result  |
| CMP/PZ      | Rn      | 0100nnnn00010001 | If $Rn > 0$ , $1 \rightarrow T$   | –               | 1         | Comparison result  |
| CMP/STR     | Rm,Rn   | 0010nnnnmmmm1100 | If $Rn$ and $Rm$ have an equivalent byte, $1 \rightarrow T$                                       | –               | 1         | Comparison result  |
| DIV1        | Rm,Rn   | 0011nnnnmmmm0100 | Single-step division ( $Rn/Rm$ )  | –               | 1         | Calculation result |
| DIV0S       | Rm,Rn   | 0010nnnnmmmm0111 | MSB of $Rn \rightarrow Q$ , MSB of $Rm \rightarrow M$ , $M \wedge Q \rightarrow T$                | –               | 1         | Calculation result |
| DIV0U       |         | 000000000011001  | $0 \rightarrow M/Q/T$   | –               | 1         | 0                  |
| DMULS.L     | Rm,Rn   | 0011nnnnmmmm1101 | Signed operation of $Rn \times Rm \rightarrow MACH$ , $MACL$ $32 \times 32 \rightarrow 64$ bits   | –               | 2 (to 5)* | –                  |
| DMULU.L     | Rm,Rn   | 0011nnnnmmmm0101 | Unsigned operation of $Rn \times Rm \rightarrow MACH$ , $MACL$ $32 \times 32 \rightarrow 64$ bits | –               | 2 (to 5)* | –                  |
| DT          | Rn      | 0100nnnn00010000 | $Rn - 1 \rightarrow Rn$ , if $Rn = 0$ , $1 \rightarrow T$ , else $0 \rightarrow T$                | –               | 1         | Comparison result  |

| Instruction | Instruction Code | Operation  | Privileged Mode | Cycles    | T Bit     |
|-------------|------------------|--|-----------------|-----------|-----------|
| EXTS.B      | Rm,Rn            | 0110nnnnmmmm1110 A byte in Rm is sign-extended → –<br>Rn   | –               | 1         | –         |
| EXTS.W      | Rm,Rn            | 0110nnnnmmmm1111 A word in Rm is sign-extended → Rn  | –               | 1         | –         |
| EXTU.B      | Rm,Rn            | 0110nnnnmmmm1100 A byte in Rm is zero-extended →–<br>Rn  | –               | 1         | –         |
| EXTU.W      | Rm,Rn            | 0110nnnnmmmm1101 A word in Rm is zero-extended → Rn  | –               | 1         | –         |
| MAC.L       | @Rm+,<br>@Rn+    | 0000nnnnmmmm1111 Signed operation of (Rn) × (Rm) –<br>+ MAC → MAC,Rn + 4 → Rn,<br>Rm + 4 → Rm,<br>32 × 32 + 64 → 64 bits | –               | 2 (to 5)* | –         |
| MAC.W       | @Rm+,<br>@Rn+    | 0100nnnnmmmm1111 Signed operation of (Rn) × (Rm) –<br>+ MAC → MAC,Rn + 2 → Rn,<br>Rm + 2 → Rm,<br>16 × 16 + 64 → 64 bits | –               | 2 (to 5)* | –         |
| MUL.L       | Rm,Rn            | 0000nnnnmmmm0111 Rn × Rm → MACL,<br>32 × 32 → 32 bits  | –               | 2 (to 5)* | –         |
| MULS.W      | Rm,Rn            | 0010nnnnmmmm1111 Signed operation of Rn × Rm → –<br>MACL,<br>16 × 16 → 32 bits   | –               | 1(to 3)*  | –         |
| MULU.W      | Rm,Rn            | 0010nnnnmmmm1110 Unsigned operation of Rn × Rm –<br>→ MACL,<br>16 × 16 → 32 bits   | –               | 1(to 3)*  | –         |
| NEG         | Rm,Rn            | 0110nnnnmmmm1011 0–Rm→Rn   | –               | 1         | –         |
| NEGC        | Rm,Rn            | 0110nnnnmmmm1010 0–Rm–T→Rn, Borrow→T   | –               | 1         | Borrow    |
| SUB         | Rm,Rn            | 0011nnnnmmmm1000 Rn–Rm→Rn  | –               | 1         | –         |
| SUBC        | Rm,Rn            | 0011nnnnmmmm1010 Rn–Rm–T→Rn, Borrow →T   | –               | 1         | Borrow    |
| SUBV        | Rm,Rn            | 0011nnnnmmmm1011 Rn–Rm→Rn, Underflow→T   | –               | 1         | Underflow |

Note: \* The number of execution cycles indicated within the parentheses ( ) are required when the operation result is read from the MACH/MACL register immediately after the instruction.

**Table 2.8 Logic Operation Instructions**

| Instruction |                 | Instruction Code | Operation   | Privileged Mode | Cycles | T Bit       |
|-------------|-----------------|------------------|---|-----------------|--------|-------------|
| AND         | Rm,Rn           | 0010nnnnmmmm1001 | $Rn \& Rm \rightarrow Rn$                                     | –               | 1      | –           |
| AND         | #imm,R0         | 11001001iiiiiii  | $R0 \& imm \rightarrow R0$                                    | –               | 1      | –           |
| AND.B       | #imm,@(R0, GBR) | 11001101iiiiiii  | $(R0+GBR) \& imm \rightarrow (R0+GBR)$                        | –               | 3      | –           |
| NOT         | Rm,Rn           | 0110nnnnmmmm0111 | $\bar{Rm} \rightarrow Rn$                                     | –               | 1      | –           |
| OR          | Rm,Rn           | 0010nnnnmmmm1011 | $Rn   Rm \rightarrow Rn$                                      | –               | 1      | –           |
| OR          | #imm,R0         | 11001011iiiiiii  | $R0   imm \rightarrow R0$                                     | –               | 1      | –           |
| OR.B        | #imm,@(R0, GBR) | 11001111iiiiiii  | $(R0+GBR)   imm \rightarrow (R0+GBR)$                         | –               | 3      | –           |
| TAS.B       | @Rn             | 0100nnnn00011011 | If (Rn) is 0, $1 \rightarrow T$ ; $1 \rightarrow$ MSB of (Rn) | –               | 4      | Test result |
| TST         | Rm,Rn           | 0010nnnnmmmm1000 | $Rn \& Rm$ ; if the result is 0, $1 \rightarrow T$ –          | –               | 1      | Test result |
| TST         | #imm,R0         | 11001000iiiiiii  | $R0 \& imm$ ; if the result is 0, $1 \rightarrow T$ –         | –               | 1      | Test result |
| TST.B       | #imm,@(R0, GBR) | 11001100iiiiiii  | $(R0 + GBR) \& imm$ ; if the result is 0, $1 \rightarrow T$   | –               | 3      | Test result |
| XOR         | Rm,Rn           | 0010nnnnmmmm1010 | $Rn \wedge Rm \rightarrow Rn$                                 | –               | 1      | –           |
| XOR         | #imm,R0         | 11001010iiiiiii  | $R0 \wedge imm \rightarrow R0$                                | –               | 1      | –           |
| XOR.B       | #imm,@(R0, GBR) | 11001110iiiiiii  | $(R0+GBR) \wedge imm \rightarrow (R0+GBR)$                    | –               | 3      | –           |

**Table 2.9 Shift Instructions**

| Instruction |        | Instruction Code | Operation   | Privileged Mode | Cycles | T Bit |
|-------------|--------|------------------|---|-----------------|--------|-------|
| ROTL        | Rn     | 0100nnnn00000100 | $T \leftarrow Rn \leftarrow MSB$  | –               | 1      | MSB   |
| ROTR        | Rn     | 0100nnnn00000101 | $LSB \rightarrow Rn \rightarrow T$  | –               | 1      | LSB   |
| ROTCL       | Rn     | 0100nnnn00100100 | $T \leftarrow Rn \leftarrow T$  | –               | 1      | MSB   |
| ROTCR       | Rn     | 0100nnnn00100101 | $T \rightarrow Rn \rightarrow T$  | –               | 1      | LSB   |
| SHAD        | Rm, Rn | 0100nnnnmmmm1100 | $Rn \geq 0: Rn \ll Rm \rightarrow Rn$<br>$Rn < 0: Rn \gg Rm \rightarrow [MSB \rightarrow Rn]$ | –               | 1      | –     |
| SHAL        | Rn     | 0100nnnn00100000 | $T \leftarrow Rn \leftarrow 0$  | –               | 1      | MSB   |
| SHAR        | Rn     | 0100nnnn00100001 | $MSB \rightarrow Rn \rightarrow T$  | –               | 1      | LSB   |
| SHLD        | Rm, Rn | 0100nnnnmmmm1101 | $Rn \geq 0: Rn \ll Rm \rightarrow Rn$<br>$Rn < 0: Rn \gg Rm \rightarrow [0 \rightarrow Rn]$   | –               | 1      | –     |
| SHLL        | Rn     | 0100nnnn00000000 | $T \leftarrow Rn \leftarrow 0$  | –               | 1      | MSB   |
| SHLR        | Rn     | 0100nnnn00000001 | $0 \rightarrow Rn \rightarrow T$  | –               | 1      | LSB   |
| SHLL2       | Rn     | 0100nnnn00001000 | $Rn \ll 2 \rightarrow Rn$   | –               | 1      | –     |
| SHLR2       | Rn     | 0100nnnn00001001 | $Rn \gg 2 \rightarrow Rn$   | –               | 1      | –     |
| SHLL8       | Rn     | 0100nnnn00011000 | $Rn \ll 8 \rightarrow Rn$   | –               | 1      | –     |
| SHLR8       | Rn     | 0100nnnn00011001 | $Rn \gg 8 \rightarrow Rn$   | –               | 1      | –     |
| SHLL16      | Rn     | 0100nnnn00101000 | $Rn \ll 16 \rightarrow Rn$  | –               | 1      | –     |
| SHLR16      | Rn     | 0100nnnn00101001 | $Rn \gg 16 \rightarrow Rn$  | –               | 1      | –     |

**Table 2.10 Branch Instructions**

| Instruction |      | Instruction Code | Operation   | Privileged Mode | Cycles | T Bit |
|-------------|------|------------------|---|-----------------|--------|-------|
| BF          | disp | 10001011dddddddd | If T = 0, disp × 2 + PC → PC;<br>if T = 1, nop                    | –               | 3/1*   | –     |
| BF/S        | disp | 10001111dddddddd | Delayed branch,<br>if T = 0, disp × 2 + PC → PC;<br>if T = 1, nop | –               | 2/1*   | –     |
| BT          | disp | 10001001dddddddd | If T = 1, disp × 2 + PC → PC;<br>if T = 0, nop                    | –               | 3/1*   | –     |
| BT/S        | disp | 10001101dddddddd | Delayed branch,<br>if T = 1, disp × 2 + PC → PC;<br>if T = 0, nop | –               | 2/1*   | –     |
| BRA         | disp | 1010dddddddddddd | Delayed branch, disp × 2 + PC →<br>PC                             | –               | 2      | –     |
| BRAF        | Rm   | 0000mmmm00100011 | Delayed branch, Rm + PC → PC                                      | –               | 2      | –     |
| BSR         | disp | 1011dddddddddddd | Delayed branch, PC → PR, disp<br>× 2 + PC → PC                    | –               | 2      | –     |
| BSRF        | Rm   | 0000mmmm00000011 | Delayed branch, PC → PR, Rm +<br>PC → PC                          | –               | 2      | –     |
| JMP         | @Rm  | 0100mmmm00101011 | Delayed branch, Rm → PC   | –               | 2      | –     |
| JSR         | @Rm  | 0100mmmm00001011 | Delayed branch, PC → PR, Rm<br>→ PC                               | –               | 2      | –     |
| RTS         |      | 0000000000001011 | Delayed branch, PR → PC   | –               | 2      | –     |

Note: \* One state when the branch is not executed.



**Table 2.11 System Control Instructions**

| Instruction |                  | Instruction Code | Operation             | Privileged Mode | Cycles | T Bit |
|-------------|------------------|------------------|-----------------------|-----------------|--------|-------|
| CLRM<br>AC  |                  | 000000000101000  | 0→MACH,MACL           | –               | 1      | –     |
| CLRS        |                  | 0000000001001000 | 0→S                   | –               | 1      | –     |
| CLRT        |                  | 0000000000001000 | 0→T                   | –               | 1      | 0     |
| LDC         | Rm,SR            | 0100mmmm00001110 | Rm→SR                 | √               | 6      | LSB   |
| LDC         | Rm,GBR           | 0100mmmm00011110 | Rm→GBR                | –               | 4      | –     |
| LDC         | Rm,VBR           | 0100mmmm00101110 | Rm→VBR                | √               | 4      | –     |
| LDC         | Rm,SSR           | 0100mmmm00111110 | Rm→SSR                | √               | 4      | –     |
| LDC         | Rm,SPC           | 0100mmmm01001110 | Rm→SPC                | √               | 4      | –     |
| LDC         | Rm,R0_BANK       | 0100mmmm10001110 | Rm→R0_BANK            | √               | 4      | –     |
| LDC         | Rm,R1_BANK       | 0100mmmm10011110 | Rm→R1_BANK            | √               | 4      | –     |
| LDC         | Rm,R2_BANK       | 0100mmmm10101110 | Rm→R2_BANK            | √               | 4      | –     |
| LDC         | Rm,R3_BANK       | 0100mmmm10111110 | Rm→R3_BANK            | √               | 4      | –     |
| LDC         | Rm,R4_BANK       | 0100mmmm11001110 | Rm→R4_BANK            | √               | 4      | –     |
| LDC         | Rm,R5_BANK       | 0100mmmm11011110 | Rm→R5_BANK            | √               | 4      | –     |
| LDC         | Rm,R6_BANK       | 0100mmmm11101110 | Rm→R6_BANK            | √               | 4      | –     |
| LDC         | Rm,R7_BANK       | 0100mmmm11111110 | Rm→R7_BANK            | √               | 4      | –     |
| LDC.L       | @Rm+,SR          | 0100mmmm00000111 | (Rm)→SR, Rm+4→Rm      | √               | 8      | LSB   |
| LDC.L       | @Rm+,GBR         | 0100mmmm00010111 | (Rm)→GBR, Rm+4→Rm     | –               | 4      | –     |
| LDC.L       | @Rm+,VBR         | 0100mmmm00100111 | (Rm)→VBR, Rm+4→Rm     | √               | 4      | –     |
| LDC.L       | @Rm+,SSR         | 0100mmmm00110111 | (Rm)→SSR, Rm+4→Rm     | √               | 4      | –     |
| LDC.L       | @Rm+,SPC         | 0100mmmm01000111 | (Rm)→SPC, Rm+4→Rm     | √               | 4      | –     |
| LDC.L       | @Rm+,<br>R0_BANK | 0100mmmm10000111 | (Rm)→R0_BANK, Rm+4→Rm | √               | 4      | –     |
| LDC.L       | @Rm+,<br>R1_BANK | 0100mmmm10010111 | (Rm)→R1_BANK, Rm+4→Rm | √               | 4      | –     |
| LDC.L       | @Rm+,<br>R2_BANK | 0100mmmm10100111 | (Rm)→R2_BANK, Rm+4→Rm | √               | 4      | –     |
| LDC.L       | @Rm+,<br>R3_BANK | 0100mmmm10110111 | (Rm)→R3_BANK, Rm+4→Rm | √               | 4      | –     |
| LDC.L       | @Rm+,<br>R4_BANK | 0100mmmm11000111 | (Rm)→R4_BANK, Rm+4→Rm | √               | 4      | –     |
| LDC.L       | @Rm+,<br>R5_BANK | 0100mmmm11010111 | (Rm)→R5_BANK, Rm+4→Rm | √               | 4      | –     |

| Instruction         | Instruction Code | Operation                          | Privileged Mode | Cycles | T Bit |
|---------------------|------------------|------------------------------------|-----------------|--------|-------|
| LDC.L @Rm+, R6_BANK | 0100mmmm11100111 | (Rm)→R6_BANK, Rm+4→Rm              | √               | 4      | -     |
| LDC.L @Rm+, R7_BANK | 0100mmmm11110111 | (Rm)→R7_BANK, Rm+4→Rm              | √               | 4      | -     |
| LDS Rm,MACH         | 0100mmmm00001010 | Rm→MACH                            | -               | 1      | -     |
| LDS Rm,MACL         | 0100mmmm00011010 | Rm→MACL                            | -               | 1      | -     |
| LDS Rm,PR           | 0100mmmm00101010 | Rm→PR                              | -               | 1      | -     |
| LDS.L @Rm+,MACH     | 0100mmmm00000110 | (Rm)→MACH, Rm+4→Rm                 | -               | 1      | -     |
| LDS.L @Rm+,MACL     | 0100mmmm00010110 | (Rm)→MACL, Rm+4→Rm                 | -               | 1      | -     |
| LDS.L @Rm+,PR       | 0100mmmm00100110 | (Rm)→PR, Rm+4→Rm                   | -               | 1      | -     |
| LDTLB               | 0000000000111000 | PTEH/PTEL→TLB                      | √               | 1      | -     |
| NOP                 | 0000000000001001 | No operation                       | -               | 1      | -     |
| PREF @Rm            | 0000mmmm10000011 | (Rm) → cache                       | -               | 1      | -     |
| RTE                 | 0000000000101011 | Delayed branch, SSR → SR, SPC → PC | √               | 5      | -     |
| SETS                | 0000000001011000 | 1→S                                | -               | 1      | -     |
| SETT                | 0000000000011000 | 1→T                                | -               | 1      | 1     |
| SLEEP               | 0000000000011011 | Sleep                              | √               | 4*1    | -     |
| STC SR,Rn           | 0000nnnn00000010 | SR→Rn                              | √               | 1      | -     |
| STC GBR,Rn          | 0000nnnn00010010 | GBR→Rn                             | -               | 1      | -     |
| STC VBR,Rn          | 0000nnnn00100010 | VBR→Rn                             | √               | 1      | -     |
| STC SSR, Rn         | 0000nnnn00110010 | SSR→Rn                             | √               | 1      | -     |
| STC SPC,Rn          | 0000nnnn01000010 | SPC→Rn                             | √               | 1      | -     |
| STC R0_BANK,Rn      | 0000nnnn10000010 | R0_BANK→Rn                         | √               | 1      | -     |
| STC R1_BANK,Rn      | 0000nnnn10010010 | R1_BANK→Rn                         | √               | 1      | -     |
| STC R2_BANK,Rn      | 0000nnnn10100010 | R2_BANK→Rn                         | √               | 1      | -     |
| STC R3_BANK,Rn      | 0000nnnn10110010 | R3_BANK→Rn                         | √               | 1      | -     |
| STC R4_BANK,Rn      | 0000nnnn11000010 | R4_BANK→Rn                         | √               | 1      | -     |
| STC R5_BANK,Rn      | 0000nnnn11010010 | R5_BANK→Rn                         | √               | 1      | -     |
| STC R6_BANK,Rn      | 0000nnnn11100010 | R6_BANK→Rn                         | √               | 1      | -     |
| STC R7_BANK,Rn      | 0000nnnn11110010 | R7_BANK→Rn                         | √               | 1      | -     |
| STC.L SR,@-Rn       | 0100nnnn00000011 | Rn-4→Rn, SR→(Rn)                   | √               | 1      | -     |
| STC.L GBR,@-Rn      | 0100nnnn00010011 | Rn-4→Rn, GBR→(Rn)                  | -               | 1      | -     |
| STC.L VBR,@-Rn      | 0100nnnn00100011 | Rn-4→Rn, VBR→(Rn)                  | √               | 1      | -     |

| Instruction |              | Instruction Code | Operation                             | Privileged Mode | Cycles | T Bit |
|-------------|--------------|------------------|---------------------------------------|-----------------|--------|-------|
| STC.L       | SSR,@-Rn     | 0100nnnn00110011 | Rn-4→Rn, SSR→(Rn)                     | √               | 1      | -     |
| STC.L       | SPC,@-Rn     | 0100nnnn01000011 | Rn-4→Rn, SPC→(Rn)                     | √               | 1      | -     |
| STC.L       | R0_BANK,@-Rn | 0100nnnn10000011 | Rn-4→Rn, R0_BANK→(Rn)                 | √               | 1      | -     |
| STC.L       | R1_BANK,@-Rn | 0100nnnn10010011 | Rn-4→Rn, R1_BANK→(Rn)                 | √               | 1      | -     |
| STC.L       | R2_BANK,@-Rn | 0100nnnn10100011 | Rn-4→Rn, R2_BANK→(Rn)                 | √               | 1      | -     |
| STC.L       | R3_BANK,@-Rn | 0100nnnn10110011 | Rn-4→Rn, R3_BANK→(Rn)                 | √               | 1      | -     |
| STC.L       | R4_BANK,@-Rn | 0100nnnn11000011 | Rn-4→Rn, R4_BANK→(Rn)                 | √               | 1      | -     |
| STC.L       | R5_BANK,@-Rn | 0100nnnn11010011 | Rn-4→Rn, R5_BANK→(Rn)                 | √               | 1      | -     |
| STC.L       | R6_BANK,@-Rn | 0100nnnn11100011 | Rn-4→Rn, R6_BANK→(Rn)                 | √               | 1      | -     |
| STC.L       | R7_BANK,@-Rn | 0100nnnn11110011 | Rn-4→Rn, R7_BANK→(Rn)                 | √               | 1      | -     |
| STS         | MACH,Rn      | 0000nnnn00001010 | MACH→Rn                               | -               | 1      | -     |
| STS         | MACL,Rn      | 0000nnnn00011010 | MACL→Rn                               | -               | 1      | -     |
| STS         | PR,Rn        | 0000nnnn00101010 | PR→Rn                                 | -               | 1      | -     |
| STS.L       | MACH,@-Rn    | 0100nnnn00000010 | Rn-4→Rn, MACH→(Rn)                    | -               | 1      | -     |
| STS.L       | MACL,@-Rn    | 0100nnnn00010010 | Rn-4→Rn, MACL→(Rn)                    | -               | 1      | -     |
| STS.L       | PR,@-Rn      | 0100nnnn00100010 | Rn-4→Rn, PR→(Rn)                      | -               | 1      | -     |
| TRAPA       | #imm         | 11000011iiiiiii  | Unconditional trap exception occurs*2 | -               | 8      | -     |

Notes: The table shows the minimum number of clocks required for execution. In practice, the number of execution cycles will be increased in the following conditions.

- a. If there is a conflict between an instruction fetch and a data access
- b. If the destination register of a load instruction (memory → register) is also used by the following instruction.

For addressing modes with displacement (disp) as shown below, the assembler description in this manual indicates the value before it is scaled (x 1, x2, or x4) according to the operand size to clarify the LSI operation. For details on assembler description, refer to the description rules in each assembler.

- @ (disp:4, Rn) ; Register indirect with displacement
- @ (disp:8, Rn) ; GBR indirect with displacement
- @ (disp:8, PC) ; PC relative with displacement
- disp:8, disp ; PC relative

1. Number of states before the chip enters the sleep state.
2. For details, refer to section 5, Exception Handling.

## 2.6.2 Operation Code Map

Table 2.12 shows the operation code map.

**Table 2.12 Operation Code Map**

| Instruction Code |       | Fx: 0000  | Fx: 0001                | Fx: 0010            | Fx: 0011 to 1111    |
|------------------|-------|-----------|-------------------------|---------------------|---------------------|
| MSB              | LSB   | MD: 00    | MD: 01                  | MD: 10              | MD: 11              |
| 0000             | Rn Fx | 0000      |                         |                     |                     |
| 0000             | Rn Fx | 0001      |                         |                     |                     |
| 0000             | Rn    | 00MD 0010 | STC SR, Rn              | STC GBR, Rn         | STC VBR, Rn         |
| 0000             | Rn    | 01MD 0010 | STC SPC, Rn             |                     | STC SSR, Rn         |
| 0000             | Rn    | 10MD 0010 | STC R0_BANK, Rn         | STC R1_BANK, Rn     | STC R2_BANK, Rn     |
| 0000             | Rn    | 11MD 0010 | STC R4_BANK, Rn         | STC R5_BANK, Rn     | STC R6_BANK, Rn     |
| 0000             | Rm    | 00MD 0011 | BSRF Rm                 |                     | BRAF Rm             |
| 0000             | Rm    | 10MD 0011 | PREF @Rm                |                     |                     |
| 0000             | Rn Rm | 01MD      | MOV.B Rm, @(R0, Rn)     | MOV.W Rm, @(R0, Rn) | MOV.L Rm, @(R0, Rn) |
| 0000             | 0000  | 00MD 1000 | CLRT                    | SETT                | CLRMAC              |
| 0000             | 0000  | 01MD 1000 | CLRS                    | SETS                | LDTLB               |
| 0000             | 0000  | Fx 1001   | NOP                     | DIV0U               |                     |
| 0000             | 0000  | Fx 1010   |                         |                     |                     |
| 0000             | 0000  | Fx 1011   | RTS                     | SLEEP               | RTE                 |
| 0000             | Rn Fx | 1000      |                         |                     |                     |
| 0000             | Rn Fx | 1001      |                         |                     | MOVT Rn             |
| 0000             | Rn Fx | 1010      | STS MACH, Rn            | STS MACL, Rn        | STS PR, Rn          |
| 0000             | Rn Fx | 1011      |                         |                     |                     |
| 0000             | Rn Rm | 11MD      | MOV.B @(R0, Rm), Rn     | MOV.W @(R0, Rm), Rn | MOV.L @(R0, Rm), Rn |
| 0001             | Rn Rm | disp      | MOV.L Rm, @(disp:4, Rn) |                     | MAC.L @Rm+, @Rn+    |
| 0010             | Rn Rm | 00MD      | MOV.B Rm, @Rn           | MOV.W Rm, @Rn       | MOV.L Rm, @Rn       |
| 0010             | Rn Rm | 01MD      | MOV.B Rm, @-Rn          | MOV.W Rm, @-Rn      | MOV.L Rm, @-Rn      |
| 0010             | Rn Rm | 10MD      | TST Rm, Rn              | AND Rm, Rn          | XOR Rm, Rn          |
| 0010             | Rn Rm | 11MD      | CMP/STR Rm, Rn          | XTRCT Rm, Rn        | MULU.W Rm, Rn       |
| 0011             | Rn Rm | 00MD      | CMP/EQ Rm, Rn           |                     | MULSW Rm, Rn        |
|                  |       |           |                         | CMP/HS Rm, Rn       | CMP/GE Rm, Rn       |

| Instruction Code |           | Fx: 0000        |               | Fx: 0001 |               | Fx: 0010 |               | Fx: 0011 to 1111 |               |
|------------------|-----------|-----------------|---------------|----------|---------------|----------|---------------|------------------|---------------|
| MSB              | LSB       | MD: 00          |               | MD: 01   |               | MD: 10   |               | MD: 11           |               |
| 0011             | Rn Rm     | 01MD DIV1       | Rm, Rn        | DMULU.L  | Rm,Rn         | CMP/HI   | Rm, Rn        | CMP/GT           | Rm, Rn        |
| 0011             | Rn Rm     | 10MD SUB        | Rm, Rn        |          |               | SUBC     | Rm, Rn        | SUBV             | Rm, Rn        |
| 0011             | Rn Rm     | 11MD ADD        | Rm, Rn        | DMULS.L  | Rm,Rn         | ADDC     | Rm, Rn        | ADDV             | Rm, Rn        |
| 0100             | Rn Fx     | 0000 SHLL       | Rn            | DT       | Rn            | SHAL     | Rn            |                  |               |
| 0100             | Rn Fx     | 0001 SHLR       | Rn            | CMP/PZ   | Rn            | SHAR     | Rn            |                  |               |
| 0100             | Rn Fx     | 0010 STS.L      | MACH, @-Rn    | STS.L    | MACL, @-Rn    | STS.L    | PR, @-Rn      |                  |               |
| 0100             | Rn        | 00MD 0011 STC.L | SR, @-Rn      | STS.L    | GBR, @-Rn     | STS.L    | VBR, @-Rn     | STS.L            | SSR, @-Rn     |
| 0100             | Rn        | 01MD 0011 STC.L | SPC, @-Rn     |          |               |          |               |                  |               |
| 0100             | Rn        | 10MD 0011 STC.L |               | STS.L    |               | STS.L    |               | STS.L            |               |
|                  |           |                 | R0_BANK, @-Rn |          | R1_BANK, @-Rn |          | R2_BANK, @-Rn |                  | R3_BANK, @-Rn |
| 0100             | Rn        | 11MD 0011 STC.L |               | STS.L    |               | STS.L    |               | STS.L            |               |
|                  |           |                 | R4_BANK, @-Rn |          | R5_BANK, @-Rn |          | R6_BANK, @-Rn |                  | R7_BANK, @-Rn |
| 0100             | Rn Fx     | 0100 ROTL       | Rn            |          |               | ROTCL    | Rn            |                  |               |
| 0100             | Rn Fx     | 0101 ROTR       | Rn            | CMP/PL   | Rn            | ROTCR    | Rn            |                  |               |
| 0100             | Rm Fx     | 0110 LDS.L      |               | LDS.L    | @Rm+, MACL    | LDS.L    | @Rm+, PR      |                  |               |
|                  |           |                 | @Rm+, MACH    |          |               |          |               |                  |               |
| 0100             | Rm        | 00MD 0111 LDC.L | @Rm+, SR      | LDC.L    | @Rm+, GBR     | LDC.L    | @Rm+, VBR     | LDC.L            | @Rm+, SSR     |
| 0100             | Rm        | 01MD 0111 LDC.L | @Rm+, SPC     |          |               |          |               |                  |               |
| 0100             | Rm        | 10MD 0111 LDC.L |               | LDC.L    |               | LDC.L    |               | LDC.L            |               |
|                  |           |                 | @Rm+, R0_BANK |          | @Rm+, R1_BANK |          | @Rm+, R2_BANK |                  | @Rm+, R3_BANK |
| 0100             | Rm        | 11MD 0111 LDC.L |               | LDC.L    |               | LDC.L    |               | LDC.L            |               |
|                  |           |                 | @Rm+, R4_BANK |          | @Rm+, R5_BANK |          | @Rm+, R6_BANK |                  | @Rm+, R7_BANK |
| 0100             | Rn Fx     | 1000 SHLL2      | Rn            | SHLL8    | Rn            | SHLL16   | Rn            |                  |               |
| 0100             | Rn Fx     | 1001 SHLR2      | Rn            | SHLR8    | Rn            | SHLR16   | Rn            |                  |               |
| 0100             | Rm Fx     | 1010 LDS        | Rm, MACH      | LDS      | Rm, MACL      | LDS      | Rm, PR        |                  |               |
| 0100             | Rm/ Rn Fx | 1011 JSR        | @Rm           | TAS.B    | @Rn           | JMP      | @Rm           |                  |               |

| Instruction Code |               | Fx: 0000  |                           | Fx: 0001                  |                           | Fx: 0010                 |  | Fx: 0011 to 1111 |  |
|------------------|---------------|-----------|---------------------------|---------------------------|---------------------------|--------------------------|--|------------------|--|
| MSB              | LSB           | MD: 00    | MD: 01                    | MD: 10                    | MD: 11                    |                          |  |                  |  |
| 0100             | Rn Rm         | 1100      | SHAD Rm, Rn               |                           |                           |                          |  |                  |  |
| 0100             | Rn Rm         | 1101      | SHLD Rm, Rn               |                           |                           |                          |  |                  |  |
| 0100             | Rm            | 00MD 1110 | LDC Rm, SR                | LDC Rm, GBR               | LDC Rm, VBR               | LDC Rm, SSR              |  |                  |  |
| 0100             | Rm            | 01MD 1110 | LDC Rm, SPC               |                           |                           |                          |  |                  |  |
| 0100             | Rm            | 10MD 1110 | LDC Rm, R0_BANK           | LDC Rm, R1_BANK           | LDC Rm, R2_BANK           | LDC Rm, R3_BANK          |  |                  |  |
| 0100             | Rm            | 11MD 1110 | LDC Rm, R4_BANK           | LDC Rm, R5_BANK           | LDC Rm, R6_BANK           | LDC Rm, R7_BANK          |  |                  |  |
| 0100             | Rn Rm         | 1111      | MAC.W Rm+, Rn+            |                           |                           |                          |  |                  |  |
| 0101             | Rn Rm         | disp      | MOV.L (disp:4, Rm), Rn    |                           |                           |                          |  |                  |  |
| 0110             | Rn Rm         | 00MD      | MOV.B @Rm, Rn             | MOV.W @Rm, Rn             | MOV.L @Rm, Rn             | MOV Rm, Rn               |  |                  |  |
| 0110             | Rn Rm         | 01MD      | MOV.B @Rm+, Rn            | MOV.W @Rm+, Rn            | MOV.L @Rm+, Rn            | NOT Rm, Rn               |  |                  |  |
| 0110             | Rn Rm         | 10MD      | SWAP.B Rm, Rn             | SWAP.W Rm, Rn             | NEGC Rm, Rn               | NEG Rm, Rn               |  |                  |  |
| 0110             | Rn Rm         | 11MD      | EXTU.B Rm, Rn             | EXTU.W Rm, Rn             | EXTS.B Rm, Rn             | EXTS.W Rm, Rn            |  |                  |  |
| 0111             | Rn imm        |           | ADD #imm : 8, Rn          |                           |                           |                          |  |                  |  |
| 1000             | 00MD Rn       | disp      | MOV.B R0, @(disp: 4, Rn)  | MOV.W R0, @(disp: 4, Rn)  |                           |                          |  |                  |  |
| 1000             | 01MD Rm       | disp      | MOV.B @(disp:4, Rm), R0   | MOV.W @(disp: 4, Rm), R0  |                           |                          |  |                  |  |
| 1000             | 10MD imm/disp |           | CMP/EQ #imm:8, R0         | BT disp: 8                |                           | BF disp: 8               |  |                  |  |
| 1000             | 11MD imm/disp |           |                           | BT/S disp: 8              |                           | BF/S disp: 8             |  |                  |  |
| 1001             | Rn disp       |           | MOV.W (disp : 8, PC), Rn  |                           |                           |                          |  |                  |  |
| 1010             | disp          |           | BRA disp: 12              |                           |                           |                          |  |                  |  |
| 1011             | disp          |           | BSR disp: 12              |                           |                           |                          |  |                  |  |
| 1100             | 00MD imm/disp |           | MOV.B R0, @(disp: 8, GBR) | MOV.W R0, @(disp: 8, GBR) | MOV.L R0, @(disp: 8, GBR) | TRAPA #imm: 8            |  |                  |  |
| 1100             | 01MD disp     |           | MOV.B @(disp: 8, GBR), R0 | MOV.W @(disp: 8, GBR), R0 | MOV.L @(disp: 8, GBR), R0 | MOVA @(disp: 8, PC), R0  |  |                  |  |
| 1100             | 10MD imm      |           | TST #imm: 8, R0           | AND #imm: 8, R0           | XOR #imm: 8, R0           | OR #imm: 8, R0           |  |                  |  |
| 1100             | 11MD imm      |           | TST.B #imm: 8, @(R0, GBR) | AND.B #imm: 8, @(R0, GBR) | XOR.B #imm: 8, @(R0, GBR) | OR.B #imm: 8, @(R0, GBR) |  |                  |  |
| 1101             | Rn disp       |           | MOV.L @(disp: 8, PC), Rn  |                           |                           |                          |  |                  |  |
| 1110             | Rn imm        |           | MOV #imm:8, Rn            |                           |                           |                          |  |                  |  |
| 1111             | *****         |           |                           |                           |                           |                          |  |                  |  |

Note: For details, refer to the SH-3/SH-3H/SH3-DSP Programming Manual.

# Section 3 Memory Management Unit (MMU)

This LSI has an on-chip memory management unit (MMU) that supports a virtual memory system. The on-chip translation look-aside buffer (TLB) caches information for user-created address translation tables located in external memory. It enables high-speed translation of virtual addresses into physical addresses. Address translation uses the paging system and supports two page sizes (1 kbyte or 4 kbytes). The access rights to virtual address space can be set for each of the privileged and user modes to provide memory protection.

## 3.1 Role of MMU

The MMU is a feature designed to make efficient use of physical memory. As shown in figure 3.1, if a process is smaller in size than the physical memory, the entire process can be mapped onto physical memory. However, if the process increases in size to the extent that it no longer fits into physical memory, it becomes necessary to partition the process and to map those parts requiring execution onto memory as occasion demands (figure 3.1 (1)). Having the process itself consider this mapping onto physical memory would impose a large burden on the process. To lighten this burden, the idea of virtual memory was born as a means of performing en bloc mapping onto physical memory (figure 3.1 (2)). In a virtual memory system, substantially more virtual memory than physical memory is provided, and the process is mapped onto this virtual memory. Thus a process only has to consider operation in virtual memory. Mapping from virtual memory to physical memory is handled by the MMU. The MMU is normally controlled by the operating system, switching physical memory to allow the virtual memory required by a process to be mapped onto physical memory in a smooth fashion. Switching of physical memory is performed via secondary storage, etc.

The virtual memory system that came into being in this way is particularly effective in a time-sharing system (TSS) in which a number of processes are running simultaneously (figure 3.1 (3)). If processes running in a TSS had to take mapping onto virtual memory into consideration while running, it would not be possible to increase efficiency. Virtual memory is thus used to reduce this load on the individual processes and so improve efficiency (figure 3.1 (4)). In the virtual memory system, virtual memory is allocated to each process. The task of the MMU is to perform efficient mapping of these virtual memory areas onto physical memory. It also has a memory protection feature that prevents one process from inadvertently accessing another process's physical memory.

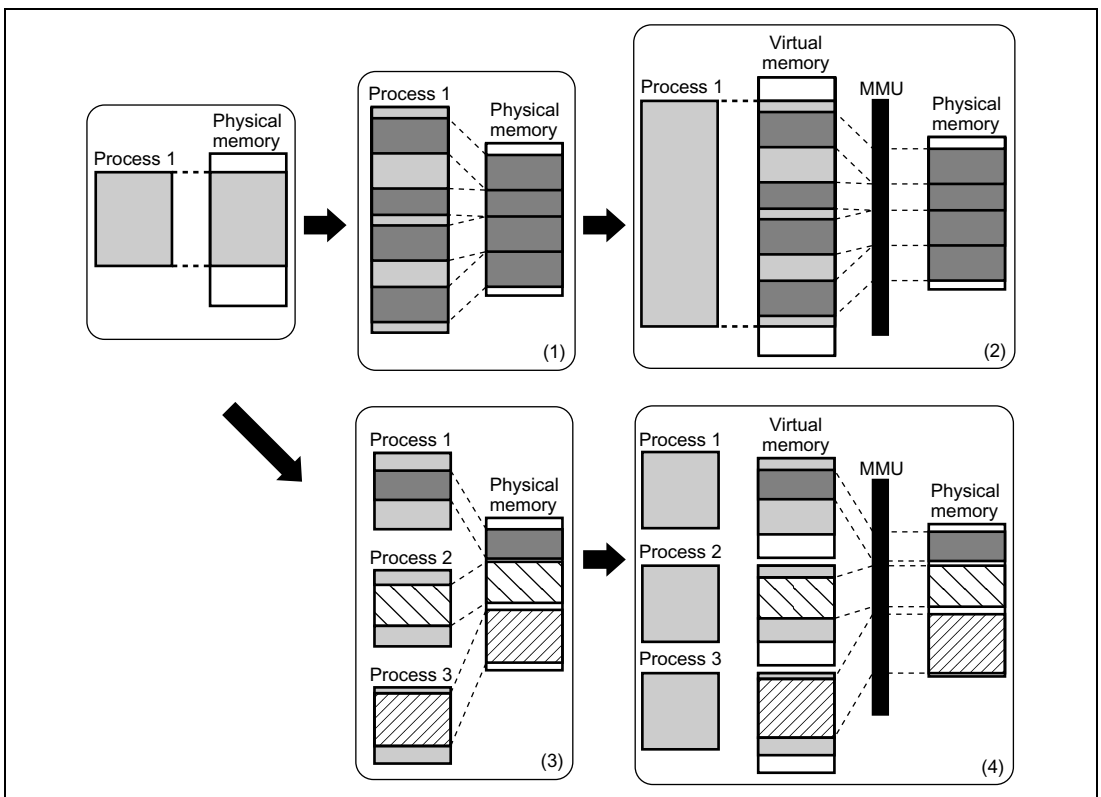
When address translation from virtual memory to physical memory is performed using the MMU, it may occur that the relevant translation information is not recorded in the MMU, with the result that one process may inadvertently access the virtual memory allocated to another process. In this case, the MMU will generate an exception, change the physical memory mapping, and record the new address translation information.

Although the functions of the MMU could also be implemented by software alone, the need for translation to be performed by software each time a process accesses physical memory would

result in poor efficiency. For this reason, a buffer for address translation (translation look-aside buffer: TLB) is provided in hardware to hold frequently used address translation information. The TLB can be described as a cache for storing address translation information. Unlike cache memory, however, if address translation fails, that is, if an exception is generated, switching of address translation information is normally performed by software. This makes it possible for memory management to be performed flexibly by software.

The MMU has two methods of mapping from virtual memory to physical memory: a paging method using fixed-length address translation, and a segment method using variable-length address translation. With the paging method, the unit of translation is a fixed-size address space (usually of 1 to 64 kbytes) called a page.

In the following text, the address space in virtual memory is referred to as virtual address space, and address space in physical memory as physical memory space.



**Figure 3.1 MMU Functions**



### 3.1.1 MMU of This LSI

**Virtual Address Space:** This LSI supports a 32-bit virtual address space that enables access to a 4-Gbyte address space. As shown in figures 3.2 and 3.3, the virtual address space is divided into several areas. In privileged mode, a 4-Gbyte space comprising areas P0 to P4 is accessible. In user mode, a 2-Gbyte space of U0 area is accessible. Access to any area excluding the U0 area in user mode will result in an address error.

If the MMU is enabled by setting the AT bit of the MMUCR register to 1, P0, P3, and U0 areas can be used as any physical address area in 1- or 4-kbyte page units. By using an 8-bit address space identifier, P0, P2, and U0 areas can be increased to up to 256 areas. Mapping from virtual address to 29-bit physical address can be achieved by the TLB.

#### 1. P0, P3, and U0 Areas

The P0, P3, and U0 areas can be address translated by the TLB and can be accessed through the cache. If the MMU is enabled, these areas can be mapped to any physical address space in 1- or 4-kbyte page units via the TLB. If the CE bit in the cache control register (CCR1) is set to 1 and if the corresponding cache enable bit (C bit) of the TLB entry is set to 1, access via the cache is enabled. If the MMU is disabled, replacing the upper three bits of an address in these areas with 0s creates the address in the corresponding physical address space. If the CE bit of the CCR1 register is set to 1, access via the cache is enabled. When the cache is used, either the copy-back or write-through mode is selected for write access via the WT bit in CCR1.

If these areas are mapped to the on-chip module control register area in area 1 in the physical address space via the TLB, the C bit of the corresponding page must be cleared to 0.

#### 2. P1 Area

The P1 area can be accessed via the cache and cannot be address-translated by the TLB.

Whether the MMU is enabled or not, replacing the upper three bits of an address in these areas with 0s creates the address in the corresponding physical address space. Use of the cache is determined by the CE bit in the cache control register (CCR1). When the cache is used, either the copy-back or write-through mode is selected for write access by the CB bit in the CCR1 register.

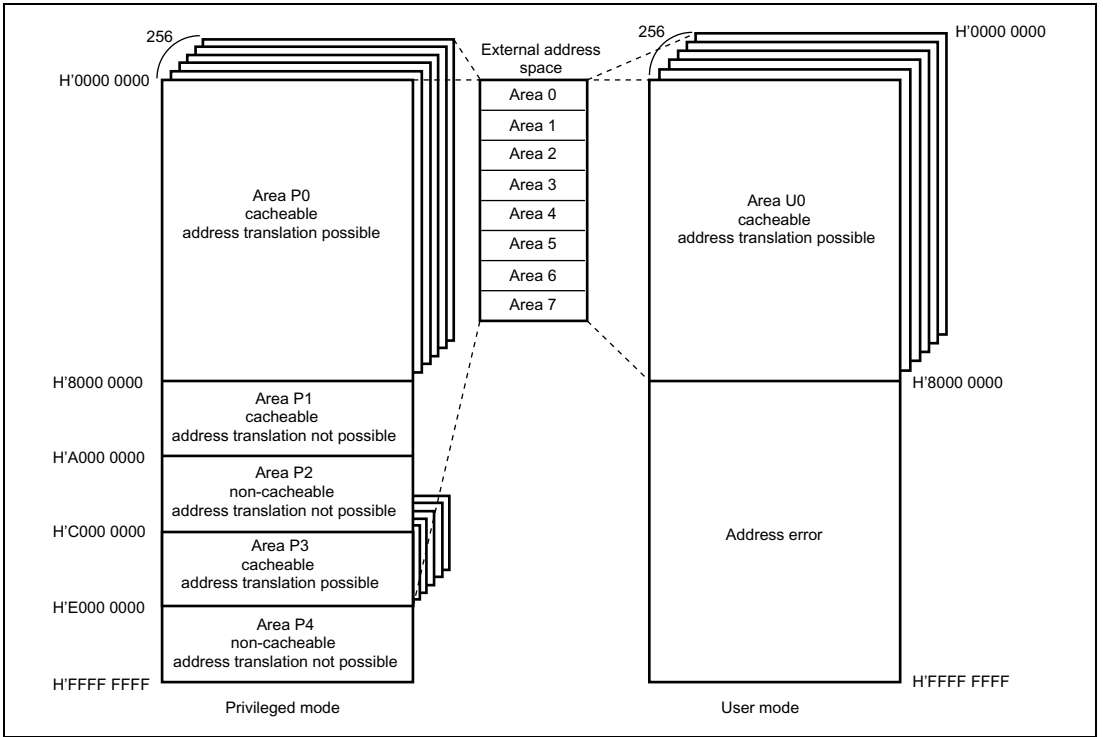
#### 3. P2 Area

The P2 area cannot be accessed via the cache and cannot be address-translated by the TLB.

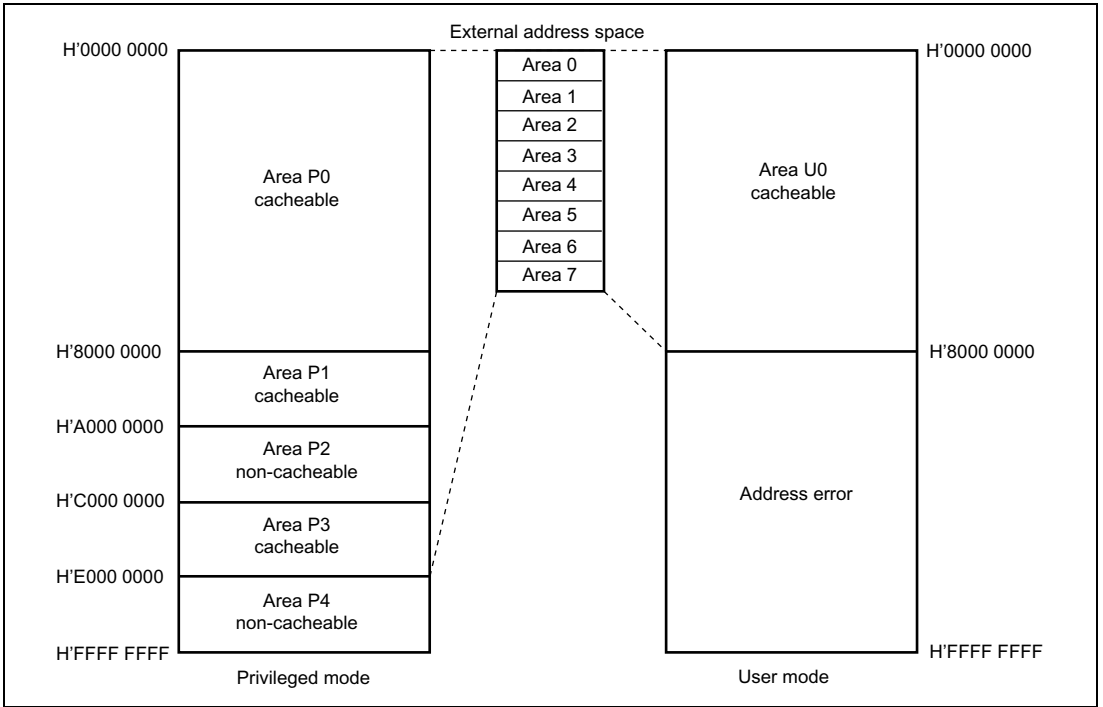
Whether the MMU is enabled or not, replacing the upper three bits of an address in this area with 0s creates the address in the corresponding physical address space.

#### 4. P4 Area

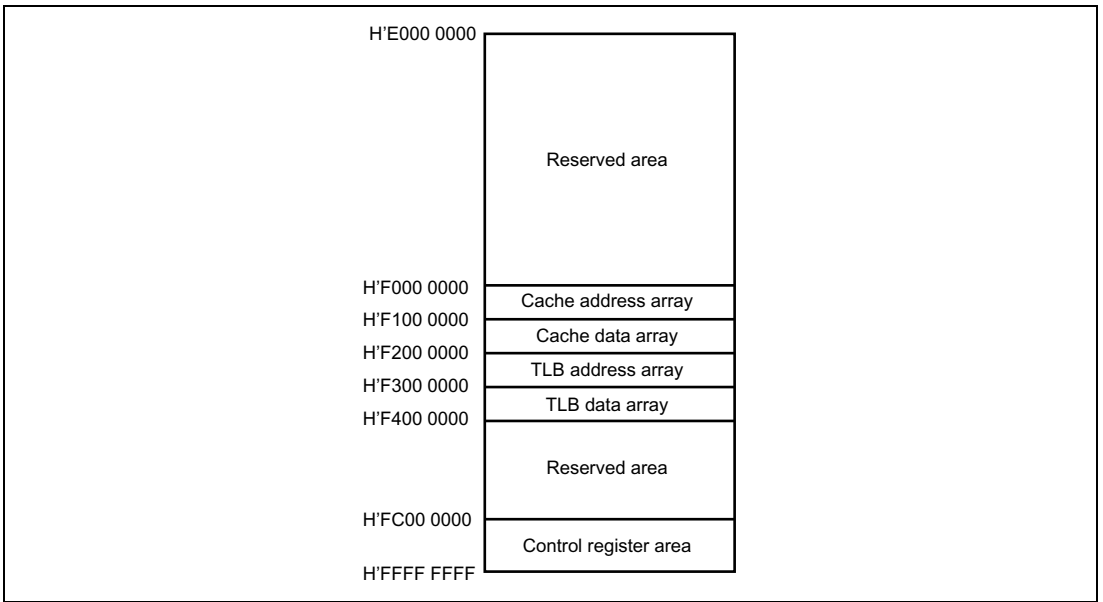
The P4 area is mapped to the on-chip module control register of this LSI. This area cannot be accessed via the cache and cannot be address-translated by the TLB. Figure 3.4 shows the configuration of the P4 area.



**Figure 3.2 Virtual Address Space (MMUCR.AT = 1)**



**Figure 3.3 Virtual Address Space (MMUCR.AT = 0)**



**Figure 3.4 P4 Area**

The area from H'F000 0000 to H'F0FF FFFF is for direct access to the cache address array. For more information, see section 4.4, Memory-Mapped Cache.

The area from H'F100 0000 to H'F1FF FFFF is for direct access to the cache data array. For more information, see section 4.4, Memory-Mapped Cache.

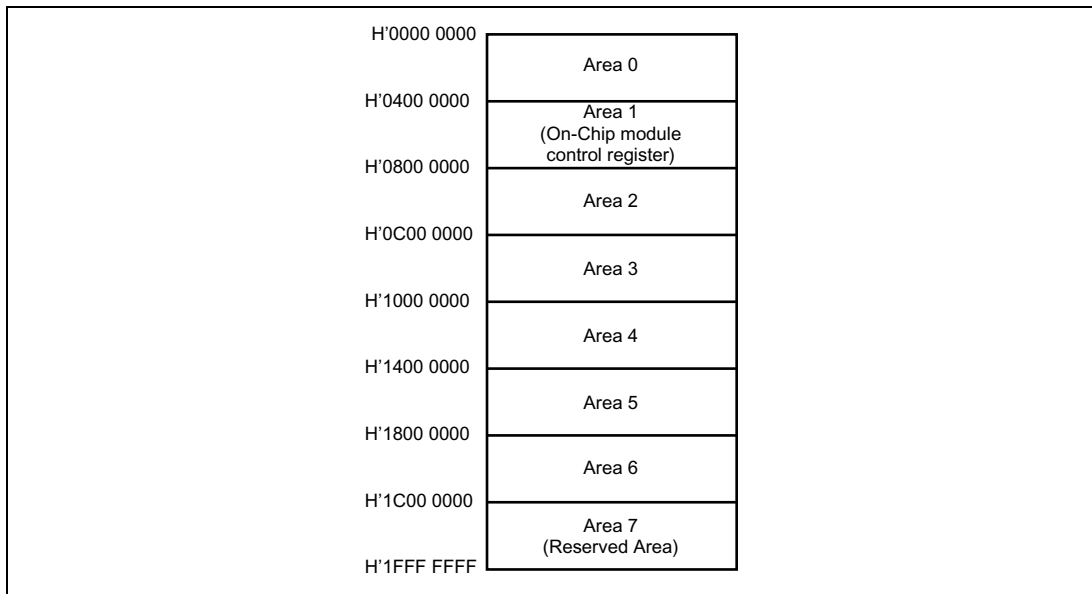
The area from H'F200 0000 to H'F2FF FFFF is for direct access to the TLB address array. For more information, see section 3.6, Memory-Mapped TLB.

The area from H'F300 0000 to H'F3FF FFFF is for direct access to the TLB data array. For more information, see section 3.6, Memory-Mapped TLB.

The area from H'FC00 0000 to H'FFFF FFFF is reserved for the on-chip module control registers. For more information, see section 24, List of Registers.

**Physical Address Space:** This LSI supports a 29-bit physical address space. As shown in figure 3.5, the physical address space is divided into eight areas. Area 1 is mapped to the on-chip module control register area. Area 7 is reserved.

For details on physical address space, refer to section 7, Bus State Controller (BSC).



**Figure 3.5 External Memory Space**

**Address Transition:** When the MMU is enabled, the virtual address space is divided into units called pages. Physical addresses are translated in page units. Address translation tables in external memory hold information such as the physical address that corresponds to the virtual address and memory protection codes. When an access to area P1 or P2 occurs, there is no TLB access and the physical address is defined uniquely by hardware. If it belongs to area P0, P3 or U0, the TLB is searched by virtual address and, if that virtual address is registered in the TLB, the access hits the TLB. The corresponding physical address and the page control information are read from the TLB and the physical address is determined.

If the virtual address is not registered in the TLB, a TLB miss exception occurs and processing will shift to the TLB miss handler. In the TLB miss handler, the TLB address translation table in external memory is searched and the corresponding physical address and the page control information are registered in the TLB. After returning from the handler, the instruction that caused the TLB miss is re-executed. When the MMU is enabled, address translation information that results in a physical address space of H'20000000 to H'FFFFFFF should not be registered in the TLB.

When the MMU is disabled, masking the upper three bits of the virtual address to 0s creates the address in the corresponding physical address space. Since this LSI supports 29-bit address space as physical address space, the upper three bits of the virtual address are ignored as shadow areas. For details, refer to section 7, Bus State Controller (BSC). For example, address H'00001000 in the P0 area, address H'80001000 in the P1 area, address H'A0001000 in the P2 area, and address H'C0001000 in the P3 area are all mapped to the same physical memory. If these addresses are accessed while the cache is enabled, the upper three bits are always cleared to 0 to guarantee the continuity of addresses stored in the address array of the cache.

**Single Virtual Memory Mode and Multiple Virtual Memory Mode:** There are two virtual memory modes: single virtual memory mode and multiple virtual memory mode. In single virtual memory mode, multiple processes run in parallel using the virtual address space exclusively and the physical address corresponding to a given virtual address is specified uniquely. In multiple virtual memory mode, multiple processes run in parallel sharing the virtual address space, so a given virtual address may be translated into different physical addresses depending on the process. By the value set to the MMU control register (MMUCR), either single or multiple virtual mode is selected.

In terms of operation, the only difference between single virtual memory mode and multiple virtual memory mode is in the TLB address comparison method (see section 3.3.3, TLB Address Comparison).

**Address Space Identifier (ASID):** In multiple virtual memory mode, the address space identifier (ASID) is used to differentiate between processes running in parallel and sharing virtual address space. The ASID is eight bits in length and can be set by software setting of the ASID of the currently running process in page table entry register high (PTEH) within the MMU. When the process is switched using the ASID, the TLB does not have to be purged.

In single virtual memory mode, the ASID is used to provide memory protection for processes running simultaneously and using the virtual address space exclusively (see section 3.3.3, TLB Address Comparison).

## 3.2 Register Descriptions

There are four registers for MMU processing. These are all on-chip module control registers, so they are located in address space area P4 and can only be accessed from privileged mode by specifying the address.

The MMU has the following registers. Refer to section 24, List of Registers, for the addresses and access size for these registers.

- Page table entry register high (PTEH)
- Page table entry register low (PTL)
- Translation table base register (TTB)
- MMU control register (MMUCR)

### 3.2.1 Page Table Entry Register High (PTEH)

The page table entry register high (PTEH) register residing at address H'FFFFFFF0, which consists of a virtual page number (VPN) and ASID. The VPN set is the VPN of the virtual address at which the exception is generated in case of an MMU exception or address error exception. When the page size is 4 kbytes, the VPN is the upper 20 bits of the virtual address, but in this case the upper 22 bits of the virtual address are set. The VPN can also be modified by software. As the ASID, software sets the number of the currently executing process. The VPN and ASID are recorded in the TLB by the LDTLB instruction.

A program that modifies the ASID in PTEH should be allocated in the P1 or P2 areas.

| Bit      | Bit Name | Initial Value | R/W | Description  |
|----------|----------|---------------|-----|--|
| 31 to 10 | VPN      | —             | R/W | Number of Virtual Page   |
| 9, 8     | —        | 0             | R   | Reserved<br>These bits are always read as 0. The write value should always be 0. |
| 7 to 0   | ASID     | —             | R/W | Address Space Identifier   |

### 3.2.2 Page Table Entry Register Low (PTEL)

The page table entry register low (PTEL) register residing at address H'FFFFFFF4, and used to store the physical page number and page management information to be recorded in the TLB by the LDTLB instruction. The contents of this register are only modified in response to a software command.

| Bit      | Bit Name | Initial Value | R/W | Description  |
|----------|----------|---------------|-----|--|
| 31 to 29 | —        | 0             | R   | Reserved<br>These bits are always read as 0. The write value should always be 0. |
| 28 to 10 | PPN      | —             | R/W | Number of Physical Page  |
| 9        | —        | 0             | R   | Page Management Information  |
| 8        | V        | —             | R/W | For more details, see section 3.3, TLB Functions                                 |
| 7        | —        | 0             | R   |  |
| 6, 5     | PR       | —             | R/W |  |
| 4        | SZ       | —             | R/W |  |
| 3        | C        | —             | R/W |  |
| 2        | D        | —             | R/W |  |
| 1        | SH       | —             | R/W |  |
| 0        | —        | 0             | R   |  |

### 3.2.3 Translation Table Base Register (TTB)

The translation table base register (TTB) residing at address H'FFFFFFF8, which points to the base address of the current page table. The hardware does not set any value in TTB automatically. TTB is available to software for general purposes. The initial value is undefined.

### 3.2.4 MMU Control Register (MMUCR)

The MMU control register (MMUCR) residing at address H'FFFFFFE0, which makes the MMU settings described in figure 3.3. Any program that modifies MMUCR should reside in the P1 or P2 area.

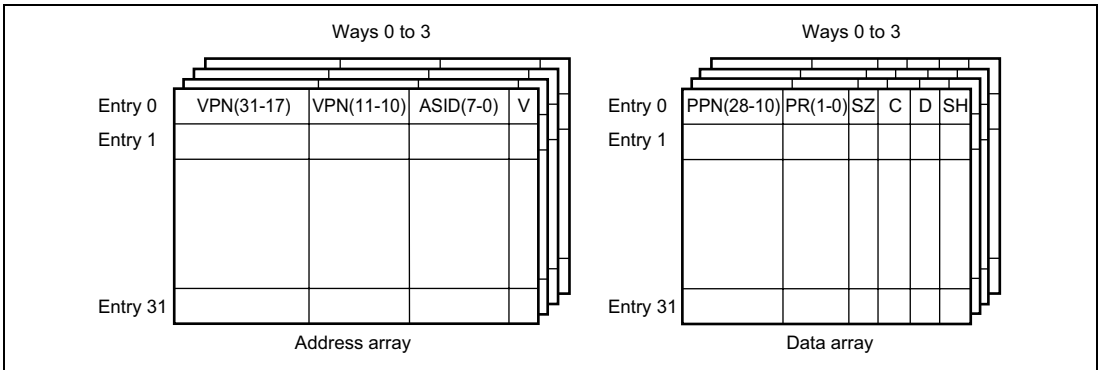
| Bit     | Bit Name | Initial Value | R/W | Description   |
|---------|----------|---------------|-----|---|
| 31 to 9 | —        | 0             | R   | Reserved<br>These bits are always read as 0. The write value should always be 0.  |
| 8       | SV       | —             | R/W | Single Virtual Memory Mode<br>0: Multiple virtual memory mode<br>1: Single virtual memory mode  |
| 7, 6    | —        | 0             | R   | Reserved<br>These bits are always read as 0. The write value should always be 0.  |
| 5, 4    | RC       | 0             | R/W | Random Counter<br>A 2-bit random counter that is automatically updated by hardware according to the following rules in the event of an MMU exception.<br>When a TLB miss exception occurs, all of TLB entry ways corresponding to the virtual address at which the exception occurred are checked. If all ways are valid, 1 is added to RC; if there is one or more invalid way, they are set by priority from way 0, in the order way 0, way 1, way 2, and way 3. In the event of an MMU exception other than a TLB miss exception, the way which caused the exception is set in RC. |
| 3       | —        | 0             | R   | Reserved<br>These bits are always read as 0. The write value should always be 0.  |
| 2       | TF       | 0             | R/W | TLB Flush<br>Write 1 to flush the TLB (clear all valid bits of the TLB to 0). When they are read, 0 is always returned.   |
| 1       | IX       | 0             | R/W | Index Mode<br>0: VPN bits 16 to 12 are used as the TLB index number.<br>1: The value obtained by EX-ORing ASID bits 4 to 0 in PTEH and VPN bits 16 to 12 is used as the TLB index number.   |
| 0       | AT       | 0             | R/W | Address Translation<br>Enables/disables the MMU.<br>0: MMU disabled<br>1: MMU enabled   |



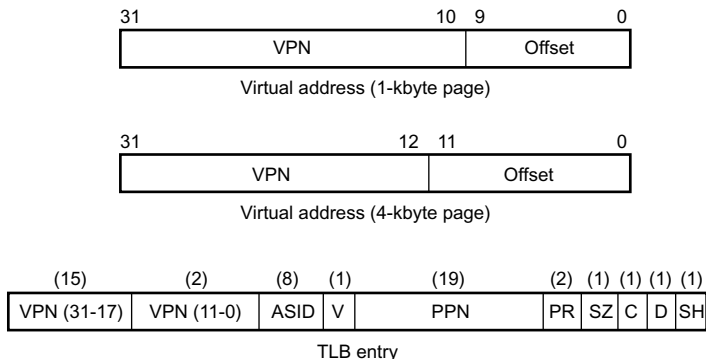
## 3.3 TLB Functions

### 3.3.1 Configuration of the TLB

The TLB caches address translation table information located in the external memory. The address translation table stores the logical page number and the corresponding physical number, the address space identifier, and the control information for the page, which is the unit of address translation. Figure 3.6 shows the overall TLB configuration. The TLB is 4-way set associative with 128 entries. There are 32 entries for each way. Figure 3.7 shows the configuration of virtual addresses and TLB entries.



**Figure 3.6 Overall Configuration of the TLB**



**Legend:**

**VPN:** Virtual page number

Upper 22 bits of virtual address for a 1-kbyte page, or upper 20 bits of virtual address for a 4-kbyte page. Since VPN bits 16 to 12 are used as the index number, they are not stored in the TLB entry. Attention must be paid to the synonym problem (see section 3.4.4, Avoiding Synonym Problems).

**ASID:** Address space identifier

Indicates the process that can access a virtual page. In single virtual memory mode and user mode, or in multiple virtual memory mode, if the SH bit is 0, the address is compared with the ASID in PTEH when address comparison is performed.

**SH:** Share status bit

0: Page not shared between processes  
1: Page shared between processes

**SZ:** Page-size bit

0: 1-kbyte page  
1: 4-kbyte page

**V:** Valid bit

Indicates whether entry is valid.

0: Invalid  
1: Valid

Cleared to 0 by a power-on reset. Not affected by a manual reset.

**PPN:** Physical page number

Upper 22 bits of physical address. PPN bits 11 to 10 are not used in case of a 4-kbyte page.

**PR:** Protection key field

2-bit field encoded to define the access rights to the page.

00: Reading only is possible in privileged mode.  
01: Reading/writing is possible in privileged mode.  
10: Reading only is possible in privileged/user mode.  
11: Reading/writing is possible in privileged/user mode.

**C:** Cacheable bit

Indicates whether the page is cacheable.

0: Non-cacheable  
1: Cacheable

**D:** Dirty bit

Indicates whether the page has been written to.

0: Not written to  
1: Written to

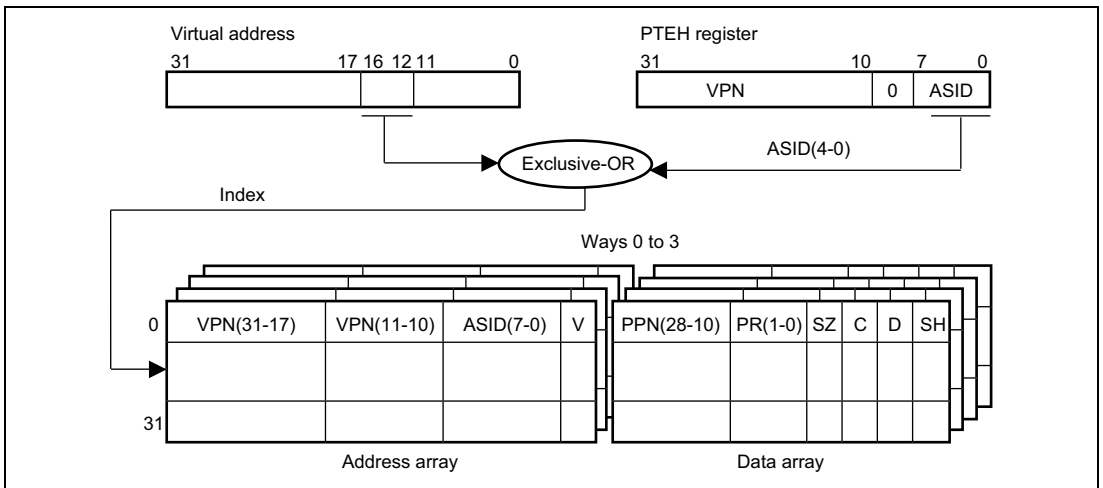
**Figure 3.7 Virtual Address and TLB Structure**

### 3.3.2 TLB Indexing

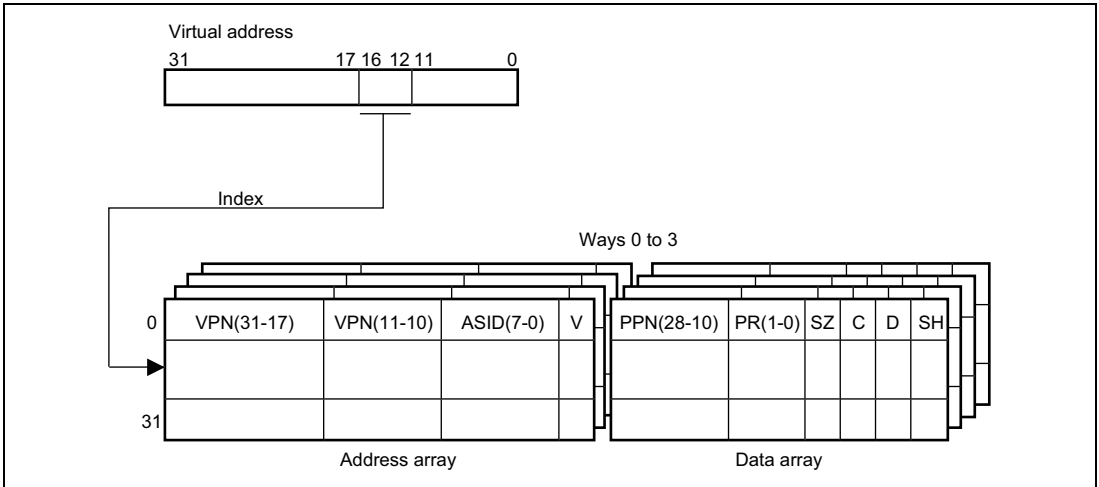
The TLB uses a 4-way set associative scheme, so entries must be selected by index. VPN bits 16 to 12 are used as the index number regardless of the page size. The index number can be generated in two different ways depending on the setting of the IX bit in MMUCR.

1. When IX = 0, VPN bits 16 to 12 alone are used as the index number
2. When IX = 1, VPN bits 16 to 12 are EX-ORed with ASID bits 4 to 0 to generate a 5-bit index number

The first method is used to prevent lowered TLB efficiency that results when multiple processes run simultaneously in the same virtual address space (multiple virtual memory) and a specific entry is selected by indexing of each process. In single virtual memory mode (MMUCR.SV = 1), IX bit should be set to 0. Figures 3.8 and 3.9 show the indexing schemes.



**Figure 3.8 TLB Indexing (IX = 1)**



**Figure 3.9 TLB Indexing (IX = 0)**

### 3.3.3 TLB Address Comparison

The results of address comparison determine whether a specific virtual page number is registered in the TLB. The virtual page number of the virtual address that accesses external memory is compared to the virtual page number of the indexed TLB entry. The ASID within the PTEH is compared to the ASID of the indexed TLB entry. All four ways are searched simultaneously. If the compared values match, and the indexed TLB entry is valid (V bit = 1), the hit is registered.

It is necessary to have software ensure that TLB hits do not occur simultaneously in more than one way, as hardware operation is not guaranteed if this occurs. An example of setting which causes TLB hits to occur simultaneously in more than one way is described below. It is necessary to ensure that this kind of setting is not made by software.

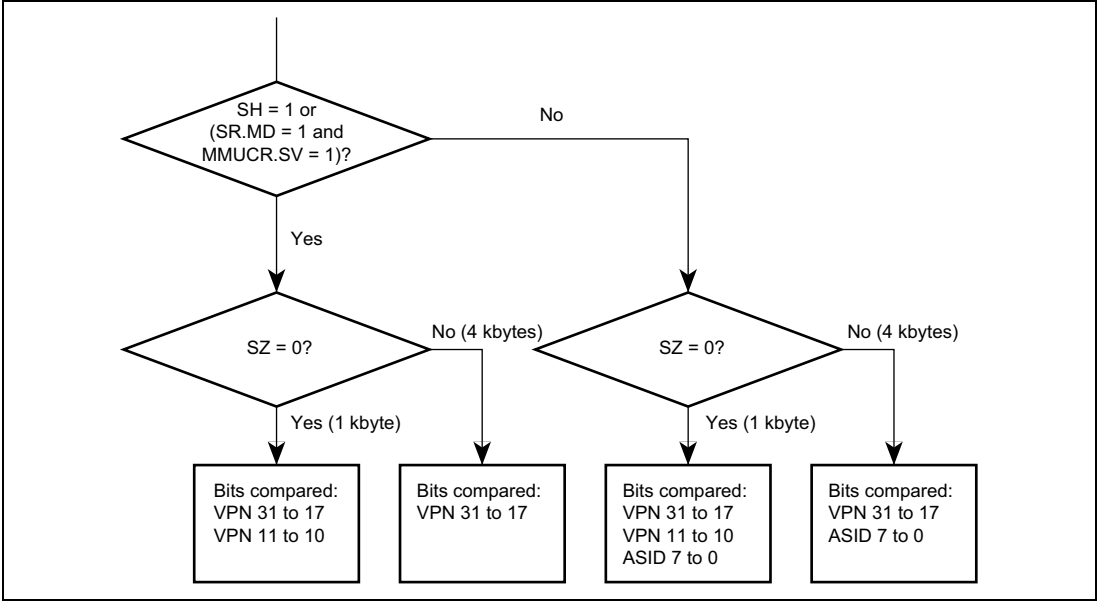
1. If there are two identical TLB entries with the same VPN and a setting is made such that a TLB hit is made only by a process with ASID = H'FF when one is in the shared state (SH = 1) and the other in the non-shared state (SH = 0), then if the ASID in PTEH is set to H'FF, there is a possibility of simultaneous TLB hits in both these ways.
2. If several entries which have different ASID with the same VPN are registered in single virtual memory mode, there is the possibility of simultaneous TLB hits in more than one way when accessing the corresponding page in privileged mode. Several entries with the same VPN must not be registered in single virtual memory mode.
3. There is the possibility of simultaneous TLB hits in more than one way. These hits may occur depending on the contents of ASID in PTEH when a page to which SH is set 1 is registered in the TLB in index mode (MMUCR.IX = 1). Therefore a page to which SH is set 1 must not be registered in index mode. When memory is shared by several processings, different pages must be registered in each ASID.

The object compared varies depending on the page management information (SZ, SH) in the TLB entry. It also varies depending on whether the system supports multiple virtual memory or single virtual memory.

The page-size information determines whether VPN (11 to 10) is compared. VPN (11 to 10) is compared for 1-kbyte pages (SZ = 0) but not for 4-kbyte pages (SZ = 1).

The sharing information (SH) determines whether the PTEH, ASID and the ASID in the TLB entry are compared. ASIDs are compared when there is no sharing between processes (SH = 0) but not when there is sharing (SH = 1).

When single virtual memory is supported (MMUCR.SV = 1) and privileged mode is engaged (SR.MD = 1), all process resources can be accessed. This means that ASIDs are not compared when single virtual memory is supported and privileged mode is engaged. The objects of address comparison are shown in figure 3.10.



**Figure 3.10 Objects of Address Comparison**

### 3.3.4 Page Management Information

In addition to the SH and SZ bits, the page management information of TLB entries also includes D, C, and PR bits.

The D bit of a TLB entry indicates whether the page is dirty (i.e., has been written to). If the D bit is 0, an attempt to write to the page results in an initial page write exception. For physical page swapping between secondary memory and main memory, for example, pages are controlled so that a dirty page is paged out of main memory only after that page is written back to secondary memory. To record that there has been a write to a given page in the address translation table in memory, an initial page write exception is used.

The C bit in the entry indicates whether the referenced page resides in a cacheable or non-cacheable area of memory. When the on-chip module control registers in area 1 are mapped, set the C bit to 0. The PR field specifies the access rights for the page in privileged and user modes and is used to protect memory. Attempts at non-permitted accesses result in TLB protection violation exceptions.

Access states designated by the D, C, and PR bits are shown in table 3.1.

**Table 3.1 Access States Designated by D, C, and PR Bits**

|        |    | Privileged Mode          |                                    | User Mode                          |                                    |
|--------|----|--------------------------|------------------------------------|------------------------------------|------------------------------------|
|        |    | Reading                  | Writing                            | Reading                            | Writing                            |
| D bit  | 0  | Permitted                | Initial page write exception       | Permitted                          | Initial page write exception       |
|        | 1  | Permitted                | Permitted                          | Permitted                          | Permitted                          |
| C bit  | 0  | Permitted (no caching)   | Permitted (no caching)             | Permitted (no caching)             | Permitted (no caching)             |
|        | 1  | Permitted (with caching) | Permitted (with caching)           | Permitted (with caching)           | Permitted (with caching)           |
| PR bit | 00 | Permitted                | TLB protection violation exception | TLB protection violation exception | TLB protection violation exception |
|        | 01 | Permitted                | Permitted                          | TLB protection violation exception | TLB protection violation exception |
|        | 10 | Permitted                | TLB protection violation exception | Permitted                          | TLB protection violation exception |
|        | 11 | Permitted                | Permitted                          | Permitted                          | Permitted                          |

## 3.4 MMU Functions

### 3.4.1 MMU Hardware Management

There are two kinds of MMU hardware management as follows.

1. The MMU decodes the virtual address accessed by a process and performs address translation by controlling the TLB in accordance with the MMUCR settings.
2. In address translation, the MMU receives page management information from the TLB, and determines the MMU exception and whether the cache is to be accessed (using the C bit). For details of the determination method and the hardware processing, see section 3.5, MMU Exceptions.

### 3.4.2 MMU Software Management

There are three kinds of MMU software management, as follows.

1. MMU register setting  
MMUCR setting, in particular, should be performed in areas P1 and P2 for which address translation is not performed. Also, since SV and IX bit changes constitute address translation system changes, in this case, TLB flushing should be performed by simultaneously writing 1 to the TF bit also. Since MMU exceptions are not generated in the MMU disabled state with the AT bit cleared to 0, use in the disabled state must be avoided with software that does not use the MMU.
2. TLB entry recording, deletion, and reading  
TLB entry recording can be done in two ways by using the LDTLB instruction, or by writing directly to the memory-mapped TLB. For TLB entry deletion and reading, the memory allocation TLB can be accessed. See section 3.4.3, MMU Instruction (LDTLB), for details of the LDTLB instruction, and section 3.6, Memory-Mapped TLB, for details of the memory-mapped TLB.
3. MMU exception processing  
When an MMU exception is generated, it is handled on the basis of information set from the hardware side. See section 3.5, MMU Exceptions, for details.

When single virtual memory mode is used, it is possible to create a state in which physical memory access is enabled in the privileged mode only by clearing the share status bit (SH) to 0 to specify recording of all TLB entries. This strengthens inter-process memory protection, and enables special access levels to be created in the privileged mode only.

Recording a 1- or 4- kbyte page TLB entry may result in a synonym problem. See section 3.4.4, Avoiding Synonym Problems.

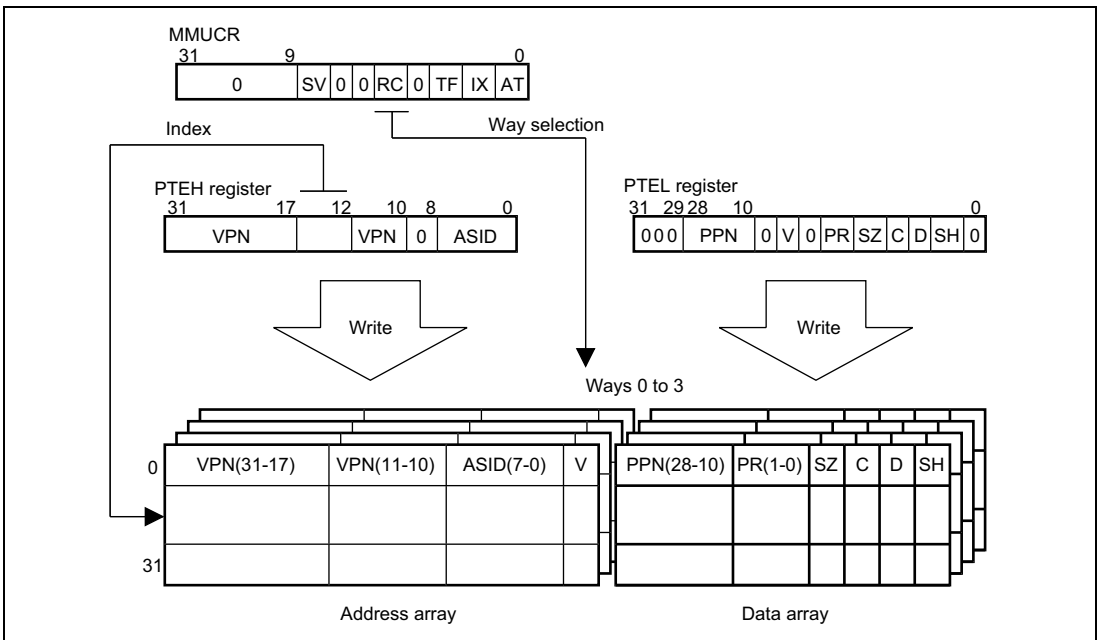
### 3.4.3 MMU Instruction (LDTLB)

The load TLB instruction (LDTLB) is used to record TLB entries. When the IX bit in MMUCR is 0, the LDTLB instruction changes the TLB entry in the way specified by the RC bit in MMUCR to the value specified by PTEH and PTEL, using VPN bits 16 to 12 specified in PTEH as the index number. When the IX bit in MMUCR is 1, the EX-OR of VPN bits 16 to 12 specified in PTEH and ASID bits 4 to 0 in PTEH are used as the index number.

Figure 3.11 shows the case where the IX bit in MMUCR is 0.

When an MMU exception occurs, the virtual page number of the virtual address that caused the exception is set in PTEH by hardware. The way is set in the RC bit of MMUCR for each exception according to the rules (see section 3.2.4, MMU Control Registers). Consequently, if the LDTLB instruction is issued after setting only PTEL in the MMU exception processing routine, TLB entry recording is possible. Any TLB entry can be updated by software rewriting of PTEH and the RC bits in MMUCR.

As the LDTLB instruction changes address translation information, there is a risk of destroying address translation information if this instruction is issued in the P0, U0, or P3 area. Make sure, therefore, that this instruction is issued in the P1 or P2 area. Also, an instruction associated with an access to the P0, U0, or P3 area (such as the RTE instruction) should be issued at least two instructions after the LDTLB instruction.



**Figure 3.11 Operation of LDTLB Instruction**



### 3.4.4 Avoiding Synonym Problems

When a 1- or 4-kbyte page is recorded in a TLB entry, a synonym problem may arise. If a number of virtual addresses are mapped onto a single physical address, the same physical address data will be recorded in a number of cache entries, and it will not be possible to guarantee data congruity. The reason that this problem occurs is explained below with reference to figure 3.12.

The relationship between bit *n* of the virtual address and cache size is shown in the following table. Note that no synonym problems occur in 4-kbyte page when the cache size is 16 kbytes.

| Cache Size | Bit <i>n</i> in Virtual Address |
|------------|---------------------------------|
| 16 kbytes  | 11                              |
| 32 kbytes  | 12                              |

To achieve high-speed operation of this LSI's cache, an index number is created using virtual address bits 12 to 4. When a 1-kbyte page is used, virtual address bits 12 to 10 is subject to address translation and when a 4-kbyte page is used, a virtual address bit 12 is subject to address translation. Therefore, the physical address bits 12 to 10 may not be the same as the virtual address bits 12 to 10.

For example, assume that, with 1-kbyte page TLB entries, TLB entries for which the following translation has been performed are recorded in two TLBs:

Virtual address 1 H'00000000 → physical address H'00000C00

Virtual address 2 H'00000C00 → physical address H'00000C00

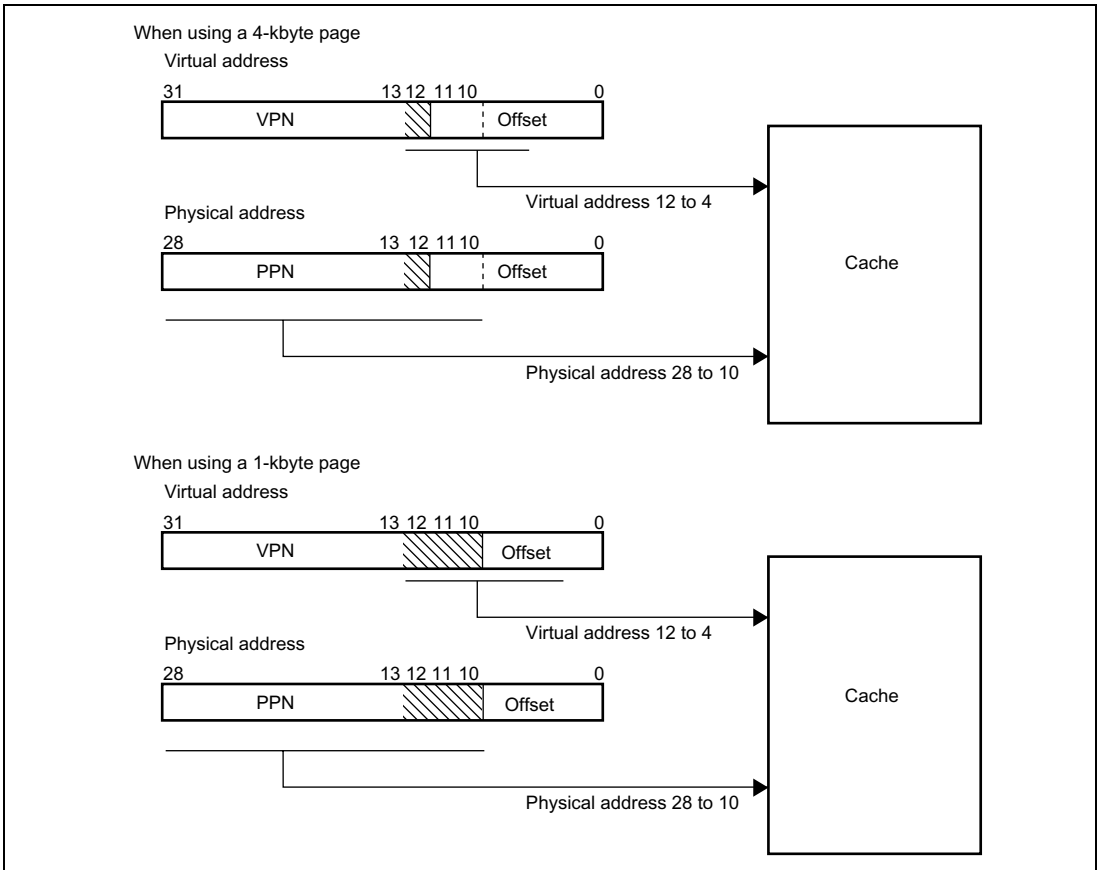
Virtual address 1 is recorded in cache entry H'000, and virtual address 2 in cache entry H'0C0. Since two virtual addresses are recorded in different cache entries despite the fact that the physical addresses are the same, memory inconsistency will occur as soon as a write is performed to either virtual address.

Consequently, the following restrictions apply to the recording of address translation information in TLB entries.

1. When address translation information whereby a number of 1-kbyte page TLB entries are translated into the same physical address is recorded in the TLB, ensure that the VPN bits 12 to 10 are the same.
2. When address translation information whereby a number of 4-kbyte page TLB entries are translated into the same physical address is recorded in the TLB, ensure that the VPN bit 12 is the same.
3. Do not use the same physical addresses for address translation information of different page sizes.

The above restrictions apply only when performing accesses using the cache.

Note: When multiple items of address translation information use the same physical memory to provide for future SuperH RISC engine family expansion, ensure that the VPN bits 20 to 10 are the same.



**Figure 3.12 Synonym Problem (32-kbyte Cache)**

## 3.5 MMU Exceptions

When the address translation unit of the MMU is enabled, occurrence of the MMU exception is checked following the CPU address error check. There are four MMU exceptions: TLB miss, TLB protection violation, TLB invalid, and initial page write, and these MMU exceptions are checked in this order.

### 3.5.1 TLB Miss Exception

A TLB miss results when the virtual address and the address array of the selected TLB entry are compared and no match is found. TLB miss exception processing includes both hardware and software operations.

**Hardware Operations:** In a TLB miss, this hardware executes a set of prescribed operations, as follows:

1. The VPN field of the virtual address causing the exception is written to the PTEH register.
2. The virtual address causing the exception is written to the TEA register.
3. Either exception code H'040 for a load access, or H'060 for a store access, is written to the EXPEVT register.
4. The PC value indicating the address of the instruction in which the exception occurred is written to the save program counter (SPC). If the exception occurred in a delay slot, the PC value indicating the address of the related delayed branch instruction is written to the SPC.
5. The contents of the status register (SR) at the time of the exception are written to the save status register (SSR).
6. The mode (MD) bit in SR is set to 1 to place the privileged mode.
7. The block (BL) bit in SR is set to 1 to mask any further exception requests.
8. The register bank (RB) bit in SR is set to 1.
9. The RC field in the MMU control register (MMUCR) is incremented by 1 when all entries indexed are valid. When some entries indexed are invalid, the smallest way number of them is set in RC.
10. Execution branches to the address obtained by adding the value of the VBR contents and H'00000400 to invoke the user-written TLB miss exception handler.

**Software (TLB Miss Handler) Operations:** The software searches the page tables in external memory and allocates the required page table entry. Upon retrieving the required page table entry, software must execute the following operations:

1. Write the value of the physical page number (PPN) field and the protection key (PR), page size (SZ), cacheable (C), dirty (D), share status (SH), and valid (V) bits of the page table entry recorded in the address translation table in the external memory into the PTEL register.

2. If using software for way selection for entry replacement, write the desired value to the RC field in MMUCR.
3. Issue the LDTLB instruction to load the contents of PTEH and PTEL into the TLB.
4. Issue the return from exception handler (RTE) instruction to terminate the handler routine and return to the instruction stream.

### 3.5.2 TLB Protection Violation Exception

A TLB protection violation exception results when the virtual address and the address array of the selected TLB entry are compared and a valid entry is found to match, but the type of access is not permitted by the access rights specified in the PR field. TLB protection violation exception processing includes both hardware and software operations.

**Hardware Operations:** In a TLB protection violation exception, this hardware executes a set of prescribed operations, as follows:

1. The VPN field of the virtual address causing the exception is written to the PTEH register.
2. The virtual address causing the exception is written to the TEA register.
3. Either exception code H'0A0 for a load access, or H'0C0 for a store access, is written to the EXPEVT register.
4. The PC value indicating the address of the instruction in which the exception occurred is written into SPC (if the exception occurred in a delay slot, the PC value indicating the address of the related delayed branch instruction is written into SPC).
5. The contents of SR at the time of the exception are written to SSR.
6. The MD bit in SR is set to 1 to place the privileged mode.
7. The BL bit in SR is set to 1 to mask any further exception requests.
8. The RB bit in SR is set to 1.
9. The way that generated the exception is set in the RC field in MMUCR.
10. Execution branches to the address obtained by adding the value of the VBR contents and H'00000100 to invoke the TLB protection violation exception handler.

**Software (TLB Protection Violation Handler) Operations:** Software resolves the TLB protection violation and issues the RTE (return from exception handler) instruction to terminate the handler and return to the instruction stream. Issue the RTE instruction after issuing two instructions from the LDTLB instruction.

### 3.5.3 TLB Invalid Exception

A TLB invalid exception results when the virtual address is compared to a selected TLB entry address array and a match is found but the entry is not valid (the V bit is 0). TLB invalid exception processing includes both hardware and software operations.

**Hardware Operations:** In a TLB invalid exception, this hardware executes a set of prescribed operations, as follows:

1. The VPN number of the virtual address causing the exception is written to the PTEH register.
2. The virtual address causing the exception is written to the TEA register.
3. Either exception code H'040 for a load access, or H'060 for a store access, is written to the EXPEVT register.
4. The PC value indicating the address of the instruction in which the exception occurred is written to the SPC. If the exception occurred in a delay slot, the PC value indicating the address of the delayed branch instruction is written to the SPC.
5. The contents of SR at the time of the exception are written into SSR.
6. The mode (MD) bit in SR is set to 1 to place the privileged mode.
7. The block (BL) bit in SR is set to 1 to mask any further exception requests.
8. The RB bit in SR is set to 1.
9. The way number causing the exception is written to RC in MMUCR.
10. Execution branches to the address obtained by adding the value of the VBR contents and H'00000100, and the TLB protection violation exception handler starts.

**Software (TLB Invalid Exception Handler) Operations:** The software searches the page tables in external memory and assigns the required page table entry. Upon retrieving the required page table entry, software must execute the following operations:

1. Write the values of the physical page number (PPN) field and the values of the protection key (PR), page size (SZ), cacheable (C), dirty (D), share status (SH), and valid (V) bits of the page table entry recorded in the external memory to the PTEL register.
2. If using software for way selection for entry replacement, write the desired value to the RC field in MMUCR.
3. Issue the LDTLB instruction to load the contents of PTEH and PTEL into the TLB.
4. Issue the RTE instruction to terminate the handler and return to the instruction stream. The RTE instruction should be issued after two LDTLB instructions.

### 3.5.4 Initial Page Write Exception

An initial page write exception results in a write access when the virtual address and the address array of the selected TLB entry are compared and a valid entry with the appropriate access rights is found to match, but the D (dirty) bit of the entry is 0 (the page has not been written to). Initial page write exception processing includes both hardware and software operations.

**Hardware Operations:** In an initial page write exception, this hardware executes a set of prescribed operations, as follows:

1. The VPN field of the virtual address causing the exception is written to the PTEH register.
2. The virtual address causing the exception is written to the TEA register.
3. Exception code H'080 is written to the EXPEVT register.
4. The PC value indicating the address of the instruction in which the exception occurred is written to the SPC. If the exception occurred in a delay slot, the PC value indicating the address of the related delayed branch instruction is written to the SPC.
5. The contents of SR at the time of the exception are written to SSR.
6. The MD bit in SR is set to 1 to place the privileged mode.
7. The BL bit in SR is set to 1 to mask any further exception requests.
8. The RB bit in SR is set to 1.
9. The way that caused the exception is set in the RC field in MMUCR.
10. Execution branches to the address obtained by adding the value of the VBR contents and H'00000100 to invoke the user-written initial page write exception handler.

**Software (Initial Page Write Handler) Operations:** The software must execute the following operations:

1. Retrieve the required page table entry from external memory.
2. Set the D bit of the page table entry in the external memory to 1.
3. Write the value of the PPN field and the PR, SZ, C, D, SH, and V bits of the page table entry in the external memory to the PTEL register.
4. If using software for way selection for entry replacement, write the desired value to the RC field in MMUCR.
5. Issue the LDTLB instruction to load the contents of PTEH and PTEL into the TLB.
6. Issue the RTE instruction to terminate the handler and return to the instruction stream. The RTE instruction must be issued after two LDTLB instructions.

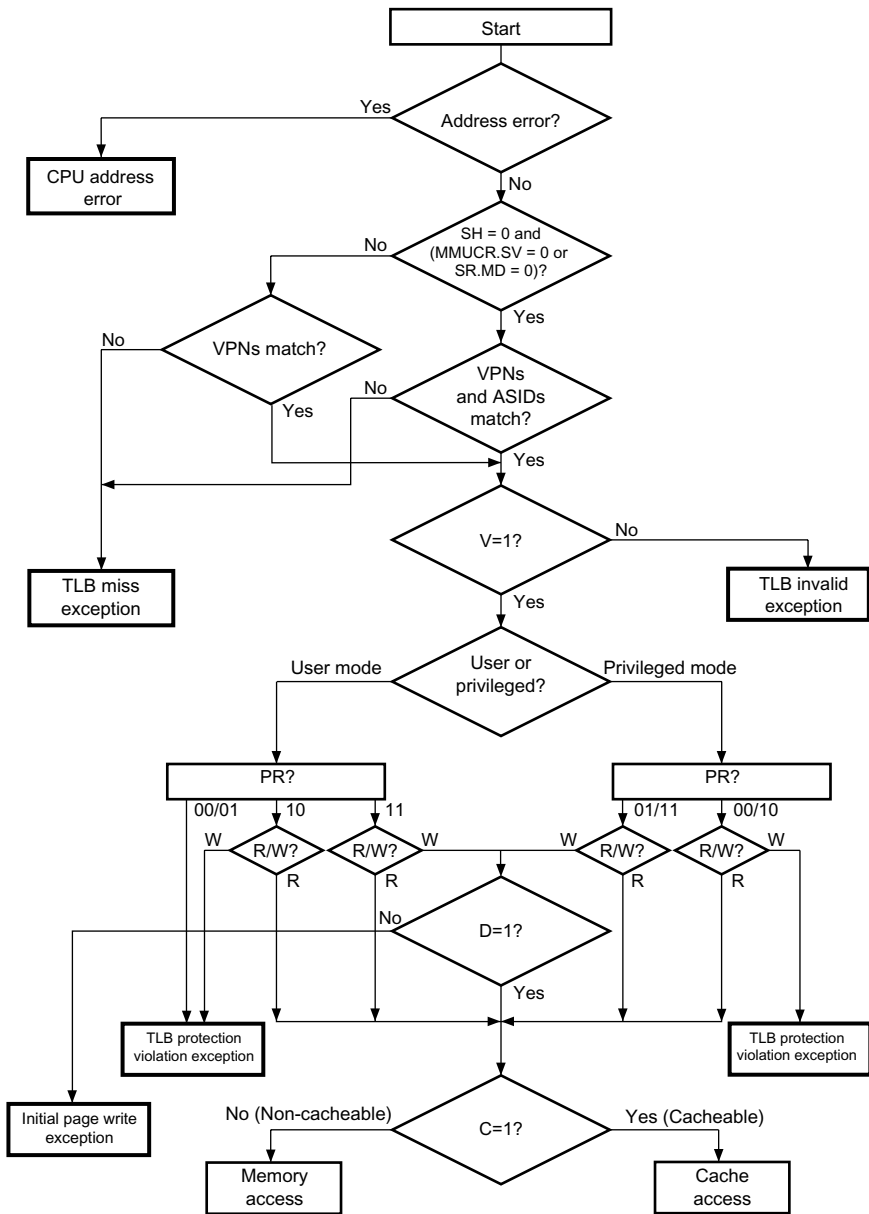


Figure 3.13 MMU Exception Generation Flowchart

## 3.6 Memory-Mapped TLB

In order for TLB operations to be managed by software, TLB contents can be read or written to in the privileged mode using the MOV instruction. The TLB is assigned to the P4 area in the virtual address space. The TLB address array (VPN, V bit, and ASID) is assigned to H'F2000000 to H'F2FFFFFFF, and the data array (PPN, PR, SZ, C, D, and SH bits) to H'F3000000 to H'F3FFFFFFF. The V bit in the address array can also be accessed from the data array. Only longword access is possible for both the address array and the data array. However, the instruction data cannot be fetched from both arrays.

### 3.6.1 Address Array

The address array is assigned to H'F2000000 to H'F2FFFFFFF. To access an address array, the 32-bit address field (for read/write operations) and 32-bit data field (for write operations) must be specified. The address field specifies information for selecting the entry to be accessed; the data field specifies the VPN, V bit and ASID to be written to the address array (figure 3.14 (1)).

In the address field, specify the entry address for selecting the entry (bits 16 to 12), W for selecting the way (bits 9 to 8) and H'F2 to indicate address array access (bits 31 to 24). The IX bit in MMUCR indicates whether an EX-OR is taken of the entry address and ASID.

The following two operations can be used on the address array:

1. Address array read  
VPN, V, and ASID are read from the TLB entry corresponding to the entry address and way set in the address field.
2. TLB address array write  
The data specified in the data field are written to the TLB entry corresponding to the entry address and way set in the address field.

### 3.6.2 Data Array

The data array is assigned to H'F3000000 to H'F3FFFFFFF. To access a data array, the 32-bit address field (for read/write operations), and 32-bit data field (for write operations) must be specified. The address section specifies information for selecting the entry to be accessed; the data section specifies the longword data to be written to the data array (figure 3.14 (2)).

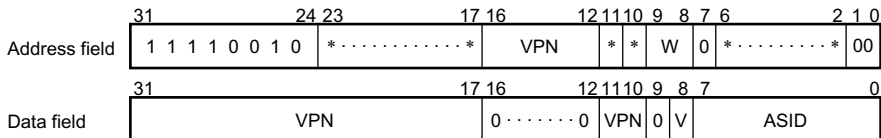
In the address section, specify the entry address for selecting the entry (bits 16 to 12), W for selecting the way (bits 9 to 8), and H'F3 to indicate data array access (bits 31 to 24). The IX bit in MMUCR indicates whether an EX-OR is taken of the entry address and ASID.

Both reading and writing use the longword of the data array specified by the entry address and way number. The access size of the data array is fixed at longword.

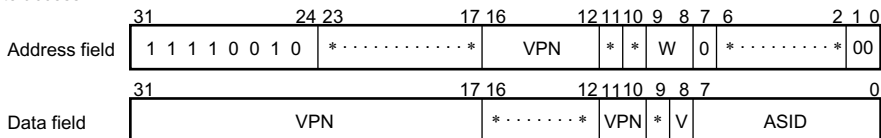


(1) TLB address array access

Read access



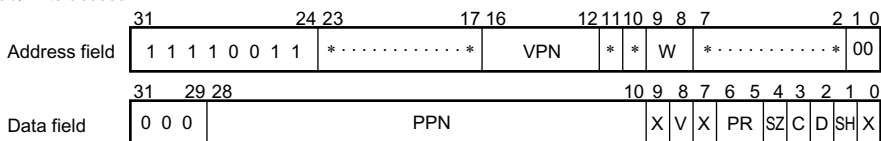
Write access



VPN: Virtual page number  
 V: Valid bit  
 W: Way (00: Way 0, 01: Way 1, 10: Way 2, 11: Way 3)  
 ASID: Address space identifier  
 \*: Don't care bit

(2) TLB data array access

Read/write access



PPN: Physical page number  
 PR: Protection key field  
 C: Cacheable bit  
 SH: Share status bit  
 VPN: Virtual page number  
 X: 0 for read, don't care bit for write  
 W: Way (00: Way 0, 01: Way 1, 10: Way 2, 11: Way 3)  
 V: Valid bit  
 SZ: Page-size bit  
 D: Dirty bit  
 \*: Don't care bit

**Figure 3.14 Specifying Address and Data for Memory-Mapped TLB Access**

### 3.6.3 Usage Examples

**Invalidating Specific Entries:** Specific TLB entries can be invalidated by writing 0 to the entry's V bit. R0 specifies the write data and R1 specifies the address.

```
; R0=H'1547 381C R1=H'F201 3000
; MMUCR.IX=0
; the V bit of way 0 of the entry selected by the VPN(16-12)=B'1 0011
; index is cleared to 0, achieving invalidation.
MOV.L R0,@R1
```

**Reading the Data of a Specific Entry:** This example reads the data section of a specific TLB entry. The bit order indicated in the data field in figure 3.14 (2) is read. R0 specifies the address and the data section of a selected entry is read to R1.

```
; R0=H'F300 4300 VPN(16-12)=B'00100 Way 3
; MOV.L @R0,R1
```

### 3.7 Usage Note

The following operations should be performed in the P1 or P2 areas. In addition, when the P0, P3, or U0 areas are accessed consecutively (this access includes instruction fetching), the instruction code should be placed at least two instructions after the instruction that executes the following operations.

1. Modification of SR.MD or SR.BL
2. Execution of the LDTLB instruction
3. Write to the memory-mapped TLB
4. Modification of MMUCR
5. Modification of PTEH.ASID

# Section 4 Cache

## 4.1 Features

- Capacity: 16 or 32 kbytes
- Structure: Instructions/data mixed, 4-way set associative
- Locking: Way 2 and way 3 are lockable
- Line size: 16 bytes
- Number of entries: 256 entries/way in 16-kbyte mode or 512 entries/way in 32-kbyte mode
- Write system: Write-back/write-through is selectable for spaces P0, P1, P3, and U0
  - Group 1 (P0, P3, and U0 areas)
  - Group 2 (P1 area)
- Replacement method: Least-recently used (LRU) algorithm

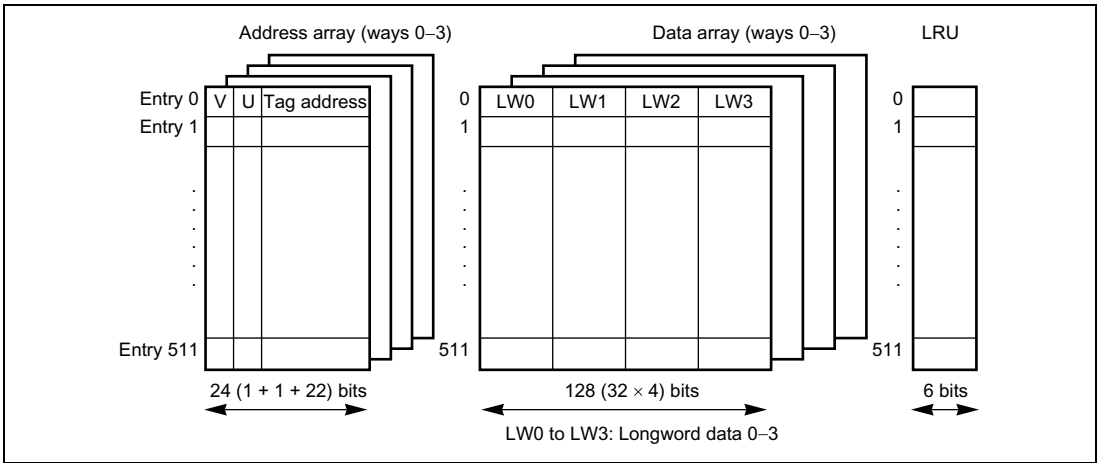
Note: After power-on reset or manual reset, initialized as 16-kbyte mode (256 entries/way).

### 4.1.1 Cache Structure

The cache mixes instructions and data and uses a 4-way set associative system. It is composed of four ways (banks), and each of which is divided into an address section and a data section. Note that the following sections will be described for the 32-kbyte mode as an example. For other cache size modes, change the number of entries and size/way according to table 4.1. Each of the address and data sections is divided into 512 entries. The entry data is called a line. Each line consists of 16 bytes (4 bytes  $\times$  4). The data capacity per way is 8 kbytes (16 bytes  $\times$  512 entries) in the cache as a whole (4 ways). The cache capacity is 32 kbytes as a whole. Figure 4.1 shows the cache structure.

**Table 4.1** Number of Entries and Size/Way in Each Cache Size

| Cache Size | Number of Entries | Size/Way |
|------------|-------------------|----------|
| 16 kbytes  | 256               | 4 kbytes |
| 32 kbytes  | 512               | 8 kbytes |



**Figure 4.1 Cache Structure (32-kbyte Mode)**

**Address Array:** The V bit indicates whether the entry data is valid. When the V bit is 1, data is valid; when 0, data is not valid. The U bit indicates whether the entry has been written to in write-back mode. When the U bit is 1, the entry has been written to; when 0, it has not. The tag address holds the physical address used in the external memory access. It is composed of 22 bits (address bits 31 to 10) used for comparison during cache searches.

In this LSI, the top three of 32 physical address bits are used as shadow bits (see section 7, Bus State Controller (BSC)), and therefore the top three bits of the tag address are cleared to 0.

The V and U bits are initialized to 0 by a power-on reset, but are not initialized by a manual reset. The tag address is not initialized by either a power-on or manual reset.

**Data Array:** Holds a 16-byte instruction or data. Entries are registered in the cache in line units (16 bytes). The data array is not initialized by a power-on or manual reset.

**LRU:** With the 4-way set associative system, up to four instructions or data with the same entry address can be registered in the cache. When an entry is registered, LRU shows which of the four ways it is recorded in. There are six LRU bits, controlled by hardware. A least-recently-used (LRU) algorithm is used to select the way.

Six LRU bits indicate the way to be replaced, when a cache miss occurs. Table 4.2 shows the relationship between the LRU bits and the way to be replaced when the cache locking mechanism is disabled. (For the relationship when the cache locking mechanism is enabled, refer to section 4.2.2, Cache Control Register 2.) If a bit pattern other than those listed in table 4.2 is set in the LRU bits by software, the cache will not function correctly. When modifying the LRU bits by software, set one of the patterns listed in table 4.2.

The LRU bits are initialized to 000000 by a power-on reset, but are not initialized by a manual reset.

**Table 4.2 LRU and Way Replacement (when Cache Locking Mechanism Is Disabled)**

| <b>LRU (Bits 5 to 0)</b>                       | <b>Way to be Replaced</b> |
|--|---------------------------|
| 000000, 000100, 010100, 100000, 110000, 110100 | 3                         |
| 000001, 000011, 001011, 100001, 101001, 101011 | 2                         |
| 000110, 000111, 001111, 010110, 011110, 011111 | 1                         |
| 111000, 111001, 111011, 111100, 111110, 111111 | 0                         |

## 4.2 Register Descriptions

The cache has the following registers. For details on register addresses and register states during each process, refer to section 24, List of Registers.

- Cache control register 1 (CCR1)
- Cache control register 2 (CCR2)
- Cache control register 3 (CCR3)

## 4.2.1 Cache Control Register 1 (CCR1)

The cache is enabled or disabled using the CE bit in CCR1. CCR1 also has a CF bit (which invalidates all cache entries), and WT and CB bits (which select either write-through mode or write-back mode). Programs that change the contents of the CCR1 register should be placed in address space that is not cached.

| Bit     | Bit Name | Initial Value | R/W | Description   |
|---------|----------|---------------|-----|---|
| 31 to 4 | —        | 0             | R   | Reserved<br>These bits are always read as 0. The write value should always be 0.  |
| 3       | CF       | 0             | R/W | Cache Flush<br>Writing 1 flushes all cache entries (clears the V, U, and LRU bits of all cache entries to 0). This bit is always read as 0. Write-back to external memory is not performed when the cache is flushed. |
| 2       | CB       | 0             | R/W | Write-Back<br>Indicates the cache's operating mode for space P1.<br>0: Write-through mode<br>1: Write-back mode   |
| 1       | WT       | 0             | R/W | Write-Through<br>Indicates the cache's operating mode for spaces P0, U0, and P3.<br>0: Write-back mode<br>1: Write-through mode   |
| 0       | CE       | 0             | R/W | Cache Enable<br>Indicates whether the cache function is used.<br>0: The cache function is not used.<br>1: The cache function is used.   |

## 4.2.2 Cache Control Register 2 (CCR2)

The CCR2 register controls the cache locking mechanism in cache lock mode only. The CPU enters the cache lock mode when the lock enable bit (bit 16) in the cache control register 2 (CCR2) is set to 1. The cache locking mechanism is disabled in non-cache lock mode (DSP bit = 0).

When a prefetch instruction (PREF@Rn) is issued in cache lock mode and a cache miss occurs, the line of data pointed to by Rn will be loaded into the cache, according to the setting of bits 9 and 8 (W3LOAD, W3LOCK) and bits 1 and 0 (W2LOAD, W2LOCK in CCR2).

Table 4.3 shows the relationship between the settings of bits and the way that is to be replaced when the cache is missed by a prefetch instruction.

On the other hand, when the cache is hit by a prefetch instruction, new data is not loaded into the cache and the valid entry is held. For example, a prefetch instruction is issued while bits W3LOAD and W3LOCK are set to 1 and the line of data to which Rn points is already in way 0, the cache is hit and new data is not loaded into way 3.

In cache lock mode, bits W3LOCK and W2LOCK restrict the way that is to be replaced, when instructions other than the prefetch instruction are issued. Table 4.4 shows the relationship between the settings of bits in CCR2 and the way that is to be replaced when the cache is missed by instructions other than the prefetch instruction.

Programs that change the contents of the CCR2 register should be placed in address space that is not cached.

| Bit      | Bit Name | Initial Value | R/W | Description   |
|----------|----------|---------------|-----|---|
| 31 to 17 | —        | 0             | R   | Reserved<br>These bits are always read as 0. The write value should always be 0.  |
| 16       | LE       | 0             | R/W | Lock Enable (LE)<br>Controls cache lock mode.<br>0: Does not enter cache lock mode.<br>1: Enters cache lock mode.   |
| 15 to 10 | —        | 0             | R   | Reserved<br>These bits are always read as 0. The write value should always be 0.  |
| 9        | W3LOAD   | 0             | R/W | Way 3 Load (W3LOAD)   |
| 8        | W3LOCK   | 0             | R/W | Way 3 Lock (W3LOCK)<br>When the cache is missed by a prefetch instruction while in cache lock mode and when bits W3LOAD and W3LOCK in CCR2 are set to 1, the data is always loaded into way 3. Under any other condition, the prefetched data is loaded into the way to which LRU points. |
| 7 to 2   | —        | 0             | R   | Reserved<br>These bits are always read as 0. The write value should always be 0.  |
| 1        | W2LOAD   | 0             | R/W | Way 2 Load (W2LOAD)   |
| 0        | W2LOCK   | 0             | R/W | Way 2 Lock (W2LOCK)<br>When the cache is missed by a prefetch instruction while in cache lock mode and when bits W2LOAD and W2LOCK in CCR2 are set to 1, the data is always loaded into way 2. Under any other condition, the prefetched data is loaded into the way to which LRU points. |

Note: W2LOAD and W3LOAD should not be set to 1 at the same time.



**Table 4.3 Way Replacement when a PREF Instruction Misses the Cache**

| DSP Bit | W3LOAD | W3LOCK | W2LOAD | W2LOCK | Way to be Replaced            |
|---------|--------|--------|--------|--------|-------------------------------|
| 0       | *      | *      | *      | *      | Determined by LRU (table 4.2) |
| 1       | *      | 0      | *      | 0      | Determined by LRU (table 4.2) |
| 1       | *      | 0      | 0      | 1      | Determined by LRU (table 4.5) |
| 1       | 0      | 1      | *      | 0      | Determined by LRU (table 4.6) |
| 1       | 0      | 1      | 0      | 1      | Determined by LRU (table 4.7) |
| 1       | 0      | *      | 1      | 1      | Way 2                         |
| 1       | 1      | 1      | 0      | *      | Way 3                         |

Notes: \* Don't care

W3LOAD and W2LOAD should not be set to 1 at the same time.

**Table 4.4 Way Replacement when Instructions other than the PREF Instruction Miss the Cache**

| DSP Bit | W3LOAD | W3LOCK | W2LOAD | W2LOCK | Way to be Replaced            |
|---------|--------|--------|--------|--------|-------------------------------|
| 0       | *      | *      | *      | *      | Determined by LRU (table 4.2) |
| 1       | *      | 0      | *      | 0      | Determined by LRU (table 4.2) |
| 1       | *      | 0      | *      | 1      | Determined by LRU (table 4.5) |
| 1       | *      | 1      | *      | 0      | Determined by LRU (table 4.6) |
| 1       | *      | 1      | *      | 1      | Determined by LRU (table 4.7) |

Notes: \* Don't care

W3LOAD and W2LOAD should not be set to 1 at the same time.

**Table 4.5 LRU and Way Replacement (when W2LOCK = 1 and W3LOCK = 0)**

| LRU (Bits 5 to 0)  | Way to be Replaced |
|--|--------------------|
| 000000, 000001, 000100, 010100, 100000, 100001, 110000, 110100 | 3                  |
| 000011, 000110, 000111, 001011, 001111, 010110, 011110, 011111 | 1                  |
| 101001, 101011, 111000, 111001, 111011, 111100, 111110, 111111 | 0                  |

**Table 4.6 LRU and Way Replacement (when W2LOCK = 0 and W3LOCK = 1)**

| LRU (Bits 5 to 0)  | Way to be Replaced |
|--|--------------------|
| 000000, 000001, 000011, 001011, 100000, 100001, 101001, 101011 | 2                  |
| 000100, 000110, 000111, 001111, 010100, 010110, 011110, 011111 | 1                  |
| 110000, 110100, 111000, 111001, 111011, 111100, 111110, 111111 | 0                  |

**Table 4.7 LRU and Way Replacement (when W2LOCK = 1 and W3LOCK = 1)**

| LRU (Bits 5 to 0)   | Way to be Replaced |
|---|--------------------|
| 000000, 000001, 000011, 000100, 000110, 000111, 001011, 001111,<br>010100, 010110, 011110, 011111 | 1                  |
| 100000, 100001, 101001, 101011, 110000, 110100, 111000, 111001,<br>111011, 111100, 111110, 111111 | 0                  |

### 4.2.3 Cache Control Register 3 (CCR3)

The CCR3 register controls the cache size to be used. The cache size must be specified according to the LSI to be selected. If the specified cache size exceeds the size of cache incorporated in the LSI, correct operation cannot be guaranteed. Note that programs that change the contents of the CCR3 register should be placed in un-cached address space. In addition, note that all cache entries must be invalidated by setting the CF bit of the CCR1 to 1 before accessing the cache after the CCR3 is modified.

| Bit      | Bit Name         | Initial Value | R/W | Description   |
|----------|------------------|---------------|-----|---|
| 31 to 24 | —                | 0             | R   | Reserved<br>These bits are always read as 0. The write value should always be 0.  |
| 23 to 16 | CSIZE7 to CSIZE0 | H'01          | R/W | Cache Size<br>Specify the cache size as shown below.<br>0000 0001: 16-kbyte cache<br>0000 0010: 32-kbyte cache<br>Settings other than above are prohibited. |
| 15 to 0  | —                | 0             | R   | Reserved<br>These bits are always read as 0. The write value should always be 0.  |

## 4.3 Operation

### 4.3.1 Searching the Cache

If the cache is enabled (the CE bit in CCR1 = 1), whenever instructions or data in spaces P0, P1, P3, and U0 are accessed the cache will be searched to see if the desired instruction or data is in the cache. Figure 4.2 illustrates the method by which the cache is searched. The cache is a physical cache and holds physical addresses in its address section. The following will be described for the 32-kbyte mode as an example.

Entries are selected using bits 12 to 4 of the address (virtual) of the access to memory and the tag address of that entry is read. The virtual address (bits 31 to 10) of the access to memory and the physical address (tag address) read from the address array are compared. The address comparison uses all four ways. When the comparison shows a match and the selected entry is valid (V = 1), a cache hit occurs. When the comparison does not show a match or the selected entry is not valid (V = 0), a cache miss occurs. Figure 4.2 shows a hit on way 1.

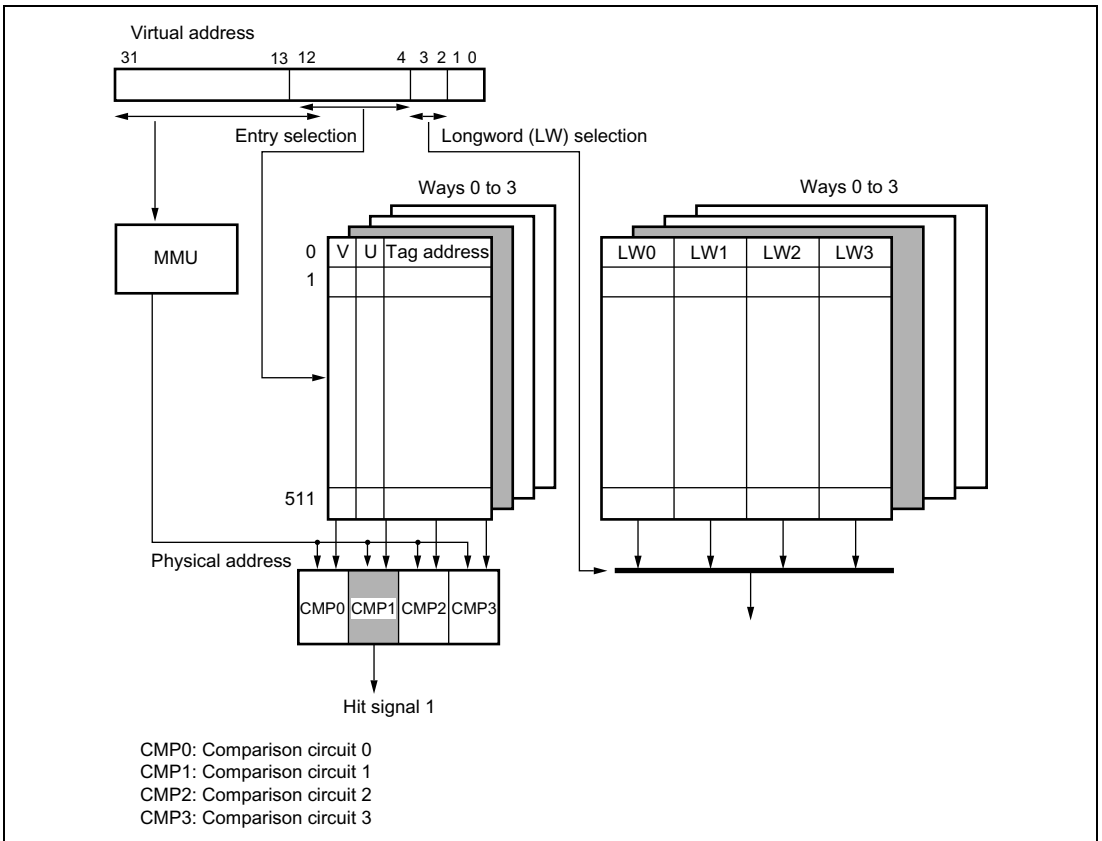


Figure 4.2 Cache Search Scheme

### 4.3.2 Read Access

**Read Hit:** In a read access, instructions and data are transferred from the cache to the CPU. The LRU is updated to indicate that the hit way is the most recently hit way.

**Read Miss:** An external bus cycle starts and the entry is updated. The way to be replaced is shown in table 4.3. Entries are updated in 16-byte units. When the desired instruction or data that caused the miss is loaded from external memory to the cache, the instruction or data is transferred to the CPU in parallel with being loaded to the cache. When it is loaded to the cache, the U bit is cleared to 0 and the V bit is set to 1 to indicate that the hit way is the most recently hit way. When the U bit for the entry which is to be replaced by entry updating in write-back mode is 1, the cache-update cycle starts after the entry is transferred to the write-back buffer. After the cache completes its update cycle, the write-back buffer writes the entry back to the memory. Transfer is in 16-byte units.

### 4.3.3 Prefetch Operation

**Prefetch Hit:** The LRU is updated to indicate that the hit way is the most recently hit way. The other contents of the cache are not changed. Instructions and data are not transferred from the cache to the CPU.

**Prefetch Miss:** Instructions and data are not transferred from the cache to the CPU. The way that is to be replaced is shown in table 4.2. The other operations are the same as those for a read miss.

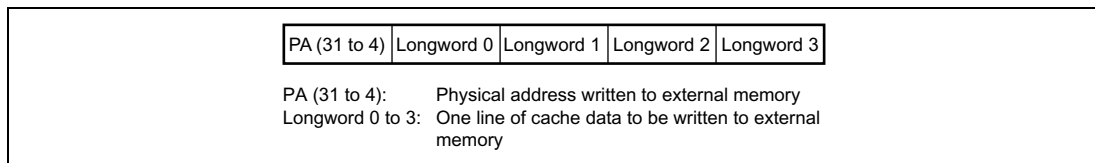
### 4.3.4 Write Access

**Write Hit:** In a write access in write-back mode, the data is written to the cache and no external memory write cycle is issued. The U bit of the entry that has been written to is set to 1, and the LRU is updated to indicate that the hit way is the most recently hit way. In write-through mode, the data is written to the cache and an external memory write cycle is issued. The U bit of the entry that has been written to is not updated, and the LRU is updated to indicate that the hit way is the most recently hit way.

**Write Miss:** In write-back mode, an external write cycle starts when a write miss occurs, and the entry is updated. The way to be replaced is shown in table 4.3. When the U bit of the entry which is to be replaced by entry updating is 1, the cache-update cycle starts after the entry has been transferred to the write-back buffer. Data is written to the cache and the U bit and the V bit are set to 1. The LRU is updated to indicate that the replaced way is the most recently updated way. After the cache has completed its update cycle, the write-back buffer writes the entry back to the memory. Transfer is in 16-byte units. In write-through mode, no write to cache occurs in a write miss; the write is only to the external memory.

### 4.3.5 Write-Back Buffer

When the U bit of the entry to be replaced in write-back mode is 1, the entry must be written back to the external memory. To increase performance, the entry to be replaced is first transferred to the write-back buffer and fetching of new entries to the cache takes priority over writing back to the external memory. After the fetching of new entries to the cache completes, the write-back buffer writes the entry back to the external memory. During the write-back cycles, the cache can be accessed. The write-back buffer can hold one line of cache data (16 bytes) and its physical address. Figure 4.3 shows the configuration of the write-back buffer.



**Figure 4.3 Write-Back Buffer Configuration**

### 4.3.6 Coherency of Cache and External Memory

Use software to ensure coherency between the cache and the external memory. When memory shared by this LSI and another device is placed in an address space to which caching applies, use the memory-mapped cache to make the data invalid and written back, as required. Memory that is shared by this LSI's CPU and DMAC should also be handled in this way.

## 4.4 Memory-Mapped Cache

To allow software management of the cache, cache contents can be read and written by means of MOV instructions in privileged mode. The cache is mapped onto the P4 area in virtual address space. The address array is mapped onto addresses H'F0000000 to H'F0FFFFFF, and the data array onto addresses H'F1000000 to H'F1FFFFFF. Only longword can be used as the access size for the address array and data array, and instruction fetches cannot be performed.

### 4.4.1 Address Array

The address array is mapped onto H'F0000000 to H'F0FFFFFF. To access an address array, the 32-bit address field (for read/write accesses) and 32-bit data field (for write accesses) must be specified. The address field specifies information for selecting the entry to be accessed; the data field specifies the tag address, V bit, U bit, and LRU bits to be written to the address array.

In the address field, specify the entry address for selecting the entry, W for selecting the way, A for enabling or disabling the associative operation, and H'F0 for indicating address array access. As for W, 00 indicates way 0, 01 indicates way 1, 10 indicates way 2, and 11 indicates way 3).

In the data field, specify the tag address, LRU bits, U bit, and V bit. Figure 4.4 shows the address and data formats in 32-kbyte mode. The following three operations are available in the address array.

**Address-Array Read:** Read the tag address, LRU bits, U bit, and V bit for the entry that corresponds to the entry address and way specified by the address field of the read instruction. In reading, the associative operation is not performed, regardless of whether the associative bit (A bit) specified in the address is 1 or 0.

**Address-Array Write (non-Associative Operation):** Write the tag address, LRU bits, U bit, and V bit, specified by the data field of the write instruction, to the entry that corresponds to the entry address and way as specified by the address field of the write instruction. Ensure that the associative bit (A bit) in the address field is set to 0. When writing to a cache line for which the U bit = 1 and the V bit = 1, write the contents of the cache line back to memory, then write the tag address, LRU bits, U bit, and V bit specified by the data field of the write instruction. Always clear the uppermost 3 bits (bits 31 to 29) of the tag address to 0. When 0 is written to the V bit, 0 must also be written to the U bit for that entry.

**Address-Array Write (Associative Operation):** When writing with the associative bit (A bit) of the address = 1, the addresses in the four ways for the entry specified by the address field of the write instruction are compared with the tag address that is specified by the data field of the write instruction. If the MMU is enabled in this case, a logical address specified by data is translated into a physical address via the TLB before comparison. Write the U bit and the V bit specified by the data field of the write instruction to the entry of the way that has a hit. However, the tag

address and LRU bits remain unchanged. When there is no way that receives a hit, nothing is written and there is no operation. This operation is used to invalidate the address specification for a cache. When the U bit of the entry that has received a hit is 1 at this point, writing back should be performed. However, when 0 is written to the V bit, 0 must also be written to the U bit of that entry.

#### 4.4.2 Data Array

The data array is mapped onto H'F1000000 to H'F1FFFFFF. To access a data array, the 32-bit address field (for read/write accesses) and 32-bit data field (for write accesses) must be specified. The address field specifies information for selecting the entry to be accessed; the data field specifies the longword data to be written to the data array.

In the address field, specify the entry address for selecting the entry, L for indicating the longword position within the (16-byte) line, W for selecting the way, and H'F1 for indicating data array access. As for L, 00 indicates longword 0, 01 indicates longword 1, 10 indicates longword 2, and 11 indicates longword 3. As for W, 00 indicates way 0, 01 indicates way 1, 10 indicates way 2, and 11 indicates way 3).

Since access size of the data array is fixed at longword, bits 1 and 0 of the address field should be set to 00.

Figure 4.4 shows the address and data formats in 32-kbyte mode. For other cache size modes, change the entry address and w as shown in table 4.8.

The following two operations on the data array are available. The information in the address array is not affected by these operations.

**Data-Array Read:** Read the data specified by L of the address field, from the entry that corresponds to the entry address and the way that is specified by the address field.

**Data-Array Write:** Write the longword data specified by the data field, to the position specified by L of the address field, in the entry that corresponds to the entry address and the way specified by the address field.

(1) Address array access

(a) Address specification

Read access

|           |         |    |               |    |       |    |   |   |   |   |
|-----------|---------|----|---------------|----|-------|----|---|---|---|---|
| 31        | 24      | 23 | 15            | 14 | 13    | 12 | 4 | 3 | 2 | 0 |
| 1111 0000 | *-----* | W  | Entry address | 0  | * 0 0 |    |   |   |   |   |

Write access

|           |         |    |               |    |       |    |   |   |   |   |
|-----------|---------|----|---------------|----|-------|----|---|---|---|---|
| 31        | 24      | 23 | 15            | 14 | 13    | 12 | 4 | 3 | 2 | 0 |
| 1111 0000 | *-----* | W  | Entry address | A  | * 0 0 |    |   |   |   |   |

(b) Data specification (both read and write accesses)

|                        |    |   |     |   |   |   |   |
|------------------------|----|---|-----|---|---|---|---|
| 31                     | 10 | 9 | 4   | 3 | 2 | 1 | 0 |
| Tag address (31 to 10) |    |   | LRU | X | X | U | V |

(2) Data array access (both read and write accesses)

(a) Address specification

|           |         |    |               |    |     |    |   |   |   |   |   |
|-----------|---------|----|---------------|----|-----|----|---|---|---|---|---|
| 31        | 24      | 23 | 15            | 14 | 13  | 12 | 4 | 3 | 2 | 1 | 0 |
| 1111 0001 | *-----* | W  | Entry address | L  | 0 0 |    |   |   |   |   |   |

(b) Data specification

|          |   |
|----------|---|
| 31       | 0 |
| Longword |   |

\*: Don't care bit

X: 0 for read, don't care for write

**Figure 4.4 Specifying Address and Data for Memory-Mapped Cache Access (32-kbyte Mode)**

**Table 4.8 Address Format Based on Size of Cache to be Assigned to Memory**

| Cache Size | Entry Address Bits | W Bit    |
|------------|--------------------|----------|
| 16 kbytes  | 11 to 4            | 13 to 12 |
| 32 kbytes  | 12 to 4            | 14 to 13 |



### 4.4.3 Usage Examples

**Invalidating a Specific Entry:** A specific cache entry can be invalidated by accessing the allocated memory cache and writing a 0 to the entry's U and V bits. The A bit is cleared to 0, and an address is specified for the entry address and the way. If the U bit of the way of the entry in question was set to 1, the entry is written back and the V and U bits specified by the write data are written to.

In the following example, the write data is specified in R0 and the address is specified in R1 (32-kbyte mode).

```
; R0 = H'0000 0000 LRU = H'000, U = 0, V = 0
; R1 = H'F000 2080; Way = 1, Entry = B'000001000, A = 0
;
MOV.L R0, @R1
```

To invalidate all entries and ways, write 0 to the following addresses.

32-kbyte mode (2,048 writes)

Addresses

```
F000 0000
F000 0010
F000 0020
:
F000 7FF0
```

16-kbyte mode (1,024 writes)

Addresses

```
F000 0000
F000 0010
F000 0020
:
F000 3FF0
```

The above operation should be performed using a non-cacheable area.

**Invalidating an Address Specification:** An address specification can be invalidated by accessing the memory allocation cache and writing a 0 to the entry's V bit. When the A bit is 1, the tag address specified by the write data is compared to the tag address within the cache selected by the entry address. If the tag addresses match, and if the U bit of the entry is set to 1, the entry is written back and data is written to the specified the V and U bits. If no match is found, no operation is carried out.

In the following example, the write data is specified in R0 and the address is specified in R1 (32-kbyte mode).

```
; R0=H'01100010; Tag address=B'0000 0001 0001 0000 0000 00, U=0, V=0
; R1=H'F0000088; address array access, entry=B'00001000, A=1
;
MOV.L R0,@R1
```

In the following example, an address (32-bit) to be purged is specified in R0.

```
MOV.L #H'00001FF0, R1 ; 32-kbyte mode, H'00000FF0 in the 16-kbyte mode.
AND R0, R1 ; The entry address is fetched.
MOV.L #H'00000008, R2 ;
OR R1, R2 ; The start is set to H'F0 and the A bit to 1.
MOV.L #H'1FFFFC00, R3 ;
AND R0, R3 ; The tag address is fetched. U = V = 0.
MOV.L R3, @R2 ; Associative purge.
```

The above operation should be performed using a non-cacheable area.

**Reading the Data of a Specific Entry:** To read the data field of a specific entry is enabled by the memory-mapped cache access. The longword indicated in the data field of the data array in figure 4.4 is read into the register. In the example shown below, R0 specifies the address and R1 shows what is read (32-kbyte mode).

```
; R0=H'F100 004C; data array access, entry=B'00000100
; Way = 0, longword address = 3
;
MOV.L @R0,R1 ; Longword 3 is read.
```

## 4.5 Usage Note

Do not execute the PREF instruction for the area that cannot be accessed using the cache (P2 and P4 areas).

# Section 5 Exception Handling

Exception handling is separate from normal program processing, and is performed by a routine separate from the normal program. For example, if an attempt is made to execute an undefined instruction code or an instruction protected by the CPU processing mode, a control function may be required to return to the source program by executing the appropriate operation or to report an abnormality and carry out end processing. In addition, a function to control processing requested by LSI on-chip modules or an LSI external module to the CPU may also be required.

Transferring control to a user-defined exception processing routine and executing the process to support the above functions are called exception handling. This LSI has two types of exceptions: general exceptions and interrupts. The user can execute the required processing by assigning exception handling routines corresponding to the required exception processing and then return to the source program.

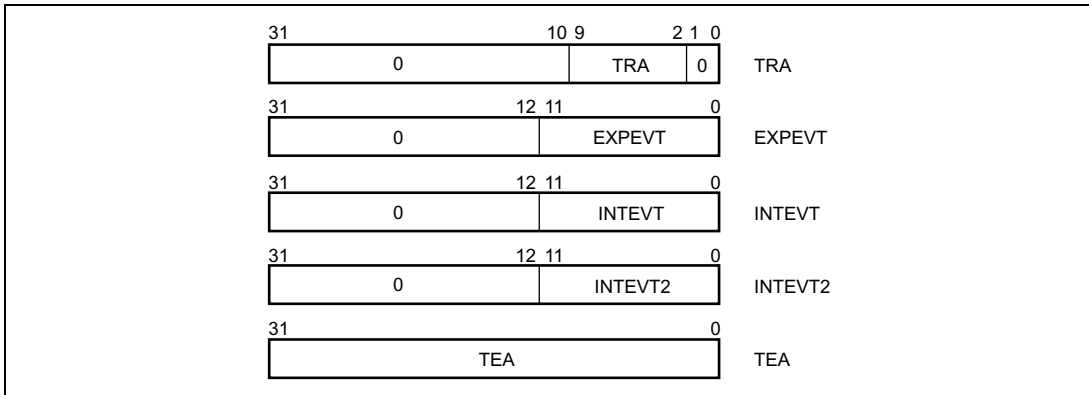
A reset input can terminate the normal program execution and pass control to the reset vector after register initialization. This reset operation can also be regarded as an exception handling. This section describes an overview of the exception handling operation. Here, general exceptions and interrupts are referred to as exception handling. For interrupts, this section describes only the process executed for interrupt requests. For details on how to generate an interrupt request, refer to section 6, Interrupt Controller (INTC).

## 5.1 Register Descriptions

There are five registers for exception handling. A register with an undefined initial value should be initialized by the software. Refer to section 24, List of Registers, for the addresses and access sizes of these registers.

- TRAPA exception register (TRA)
- Exception event register (EXPEVT)
- Interrupt event register (INTEVT)
- Interrupt event register 2 (INTEVT2)
- Exception address register (TEA)

Figure 5.1 shows the bit configuration of each register.



**Figure 5.1 Register Bit Configuration**

### 5.1.1 TRAPA Exception Register (TRA)

TRA is assigned to address H'FFFFFFD0 and consists of the 8-bit immediate data (imm) of the TRAPA instruction. TRA is automatically specified by the hardware when the TRAPA instruction is executed. Only bits 9 to 2 of the TRA can be re-written using the software.

| Bit      | Bit Name | Initial Value | R/W | Description  |
|----------|----------|---------------|-----|--|
| 31 to 10 | —        | —             | R   | Reserved<br>These bits are always read as 0. The write value should always be 0. |
| 9 to 2   | TRA      | —             | R/W | 8-bit Immediate Data   |
| 1, 0     | —        | —             | R   | Reserved<br>These bits are always read as 0. The write value should always be 0. |

### 5.1.2 Exception Event Register (EXPEVT)

EXPEVT is assigned to address H'FFFFFFD4 and consists of a 12-bit exception code. Exception codes to be specified in EXPEVT are those for resets and general exceptions. These exception codes are automatically specified the hardware when an exception occurs. Only bits 11 to 0 of EXPEVT can be re-written using the software.

| Bit      | Bit Name | Initial Value | R/W | Description  |
|----------|----------|---------------|-----|--|
| 31 to 12 | —        | 0             | R   | Reserved<br>These bits are always read as 0. The write value should always be 0. |
| 11 to 0  | EXPEVT   | *             | R/W | 12-bit Exception Code  |

Note: \* Initialized to H'000 at power-on reset and H'020 at manual reset.

### 5.1.3 Interrupt Event Register (INTEVT)

INTEVT is assigned to address H'FFFFFFD8 and consists of a 12-bit exception code. Exception codes to be specified in INTEVT are those for interrupt requests. These exception codes are automatically specified by the hardware when an exception occurs. Only bits 11 to 0 of INTEVT can be re-written using the software.

| Bit      | Bit Name | Initial Value | R/W | Description  |
|----------|----------|---------------|-----|--|
| 31 to 12 | —        | 0             | R   | Reserved<br>These bits are always read as 0. The write value should always be 0. |
| 11 to 0  | INTEVT   | —             | R/W | 12-bit Exception Code  |

### 5.1.4 Interrupt Event Register 2 (INTEVT2)

INTEVT2 is assigned to address H'A4000000 and consists of a 12-bit exception code. Exception codes to be specified in INTEVT2 are those for interrupt requests. These exception codes are automatically specified by the hardware when an exception occurs. INTEVT2 cannot be modified using the software.

| Bit      | Bit Name | Initial Value | R/W | Description  |
|----------|----------|---------------|-----|--|
| 31 to 12 | —        | 0             | R   | Reserved<br>These bits are always read as 0. The write value should always be 0. |
| 11 to 0  | INTEVT2  | —             | R   | 12-bit Exception Code  |

### 5.1.5 Exception Address Register (TEA)

TEA is assigned to address H'FFFFFFFC and stores the logical address for an exception occurrence when an exception related to memory accesses occurs. TEA can be modified using the software.

| Bit     | Bit Name | Initial Value | R/W | Description                              |
|---------|----------|---------------|-----|--|
| 31 to 0 | TEA      | —             | R/W | Logical address for exception occurrence |

## 5.2 Exception Handling Function

### 5.2.1 Exception Handling Flow

In exception handling, the contents of the program counter (PC) and status register (SR) are saved in the saved program counter (SPC) and saved status register (SSR), respectively, and execution of the exception handler is invoked from a vector address. The return from exception handler (RTE) instruction is issued by the exception handler routine on completion of the routine, restoring the contents of PC and SR to return to the processor state at the point of interruption and the address where the exception occurred.

A basic exception handling sequence consists of the following operations. If an exception occurs and the CPU accepts it, operations 1 to 8 are executed.

1. The address of the instruction to be returned to after exception handling is saved to SPC.
2. The contents of SR is saved in SSR.
3. The block (BL) bit in SR is set to 1, masking any subsequent exceptions.
4. The mode (MD) bit in SR is set to 1 to place the privileged mode.
5. The register bank (RB) bit in SR is set to 1.
6. An exception code identifying the exception event is written to bits 11 to 0 of the exception event (EXPEVT) or interrupt event (INTEVT or INTEVT2) register.
7. If a TRAPA instruction is executed, an 8-bit immediate data specified by the TRAPA instruction is set to TRA. For an exception related to memory accesses, the logic address where the exception occurred is written to TEA.\*1
8. Instruction execution jumps to the designated exception vector address to invoke the handler routine.

The above operations from 1 to 8 are executed in sequence. During these operations, no other exceptions may be accepted unless multiple exception acceptance is enabled.

In an exception handling routine for a general exception, the appropriate exception handling must be executed based on an exception source determined by the EXPEVP. In an interrupt exception handling routine, the appropriate exception handling must be executed based on an exception source determined by the INTEVT or INTEVT2. After the exception handling routine has been completed, program execution can be resumed by executing an RTE instruction. The RTE instruction causes the following operations to be executed.

1. The contents of the SSR are restored into the SR to return to the processing state in effect before the exception handling took place.
2. A delay slot instruction of the RTE instruction is executed.\*2
3. Control is passed to the address stored in the SPC.

The above operations from 1 to 3 are executed in sequence. During these operations, no other exceptions may be accepted. By changing the SPT and SSR before executing the RTE instruction, a status different from that in effect before the exception handling can also be specified.

- Notes:
1. The MMU registers are also modified if an MMU exception occurs.
  2. For details on the CPU processing mode in which RTE delay slot instructions are executed, please refer to section 5.4, Usage Notes.

### 5.2.2 Exception Vector Addresses

A vector address for general exceptions is determined by adding a vector offset to a vector base address. The vector offset for general exceptions other than the TLB error exception is H'00000100. The vector offset for interrupts is H'00000600. The vector base address is loaded into the vector base register (VBR) using the software. The vector base address should reside in the P1 or P2 fixed physical address space.

### 5.2.3 Exception Codes

The exception codes are written to bits 11 to 0 of the EXPEVT register (for reset or general exceptions) or the INTEVT2 register (for interrupt requests) to identify each specific exception event. See section 6, Interrupt Controller (INTC), for details of the exception codes for interrupt requests. Table 5.1 lists exception codes for resets and general exceptions.

### 5.2.4 Exception Request and BL Bit (Multiple Exception Prevention)

The BL bit in SR is set to 1 when a reset or exception is accepted. While the BL bit is set to 1, acceptance of general exceptions is restricted as described below, making it possible to effectively prevent multiple exceptions from being accepted.

If the BL bit is set to 1, an interrupt request is not accepted and is retained. The interrupt request is accepted when the BL bit is cleared to 0. If the CPU is in low power consumption mode, an interrupt is accepted even if the BL bit is set to 1 and the CPU returns from the low power consumption mode.

A DMA error is not accepted and is retained if the BL bit is set to 1 and accepted when the BL bit is cleared to 0. User break requests generated while the BL bit is set are ignored and are not retained. Accordingly, user breaks are not accepted even if the BL bit is cleared to 0.

If a general exception other than a DMA address error or user break occurs while the BL bit is set to 1, the CPU enters a state similar to that in effect immediately after a reset, and passes control to the reset vector (H'A0000000) (multiple exception). In this case, unlike a normal reset, modules other than the CPU are not initialized, the contents of EXPEVT, SPC, and SSR are undefined, and this status is not detected by an external device.



To enable acceptance of multiple exceptions, the contents of SPC and SSR must be saved while the BL bit is set to 1 after an exception has been accepted, and then the BL bit must be cleared to 0. Before restoring the SPC and SSR, the BL bit must be set to 1.

### 5.2.5 Exception Source Acceptance Timing and Priority

**Exception Request of Instruction Synchronous Type and Instruction Asynchronous Type:** Resets and interrupts are requested asynchronously regardless of the program flow. In general exceptions, a DMA address error and a user break under the specific condition are also requested asynchronously. The user cannot expect on which instruction an exception is requested. For general exceptions other than a DMA address error and a user break under a specific condition, each general exception corresponds to a specific instruction.

**Re-Execution Type and Processing-Completion Type Exceptions:** All exceptions are classified into two types: a re-execution type and a processing-completion type. If a re-execution type exception is accepted, the current instruction executed when the exception is accepted is terminated and the instruction address is saved to the SPC. After returning from the exception processing, program execution resumes from the instruction where the exception was accepted. In a processing-completion type exception, the current instruction executed when the exception is accepted is completed, the next instruction address is saved to the SPC, and then the exception processing is executed.

During a delayed branch instruction and delay slot, the following operations are executed. A re-execution type exception detected in a delay slot is accepted before executing the delayed branch instruction. A processing-completion type exception detected in a delayed branch instruction or a delay slot is accepted when the delayed branch instruction has been executed. In this case, the acceptance of delayed branch instruction or a delay slot precedes the execution of the branch destination instruction. In the above description, a delay slot indicates an instruction following an unconditional delayed branch instruction or an instruction following a conditional delayed branch instruction whose branch condition is satisfied. If a branch does not occur in a conditional delayed branch, the normal processing is executed.

**Acceptance Priority and Test Priority:** Acceptance priorities are determined for all exception requests. The priority of resets, general exceptions, and interrupts are determined in this order: a reset is always accepted regardless of the CPU status. Interrupts are accepted only when resets or general exceptions are not requested.

If multiple general exceptions occur simultaneously in the same instruction, the priority is determined as follows.

1. A processing-completion type exception generated at the previous instruction\*
2. A user break before instruction execution (re-execution type)
3. An exception related to an instruction fetch (CPU address error and MMU related exceptions: re-execution type)

4. An exception caused by an instruction decode (General illegal instruction exceptions and slot illegal instruction exceptions: re-execution type, unconditional trap: processing-completion type)
5. An exception related to data access (CPU address error and MMU related exceptions: re-execution type)
6. Unconditional trap (processing-completion type)
7. A user break other than one before instruction execution (processing-completion type)
8. DMA address error (processing-completion type)

Note:\* If a processing-completion type exception is accepted at an instruction, exception processing starts before the next instruction is executed. This exception processing executed before an exception generated at the next instruction is detected.

Only one exception is accepted at a time. Accepting multiple exceptions sequentially results in all exception requests being processed.

**Table 5.1 Exception Event Vectors**

| Exception Type           | Current Instruction | Exception Event                                  | Priority*1 | Exception Order | Process at BL=1 | Vector Code     | Vector Offset |
|--------------------------|---------------------|--|------------|-----------------|-----------------|-----------------|---------------|
| Reset                    | Aborted             | Power-on reset                                   | 1          | 1               | Reset           | H'A00           | —             |
|                          |                     | Manual reset                                     | 1          | 2               | Reset           | H'020           | —             |
| General exception events | Re-executed         | User break(before instruction execution)         | 2          | 0               | Ignored         | H'1E0           | H'00000100    |
|                          |                     | CPU address error (instruction access)           | 2          | 1               | Reset           | H'0E0           | H'00000100    |
|                          |                     | TLB miss *4 (instruction access)                 | 2          | 1-1             | Reset           | H'040           | H'00000400    |
|                          |                     | TLB invalid *4 (instruction access)              | 2          | 1-2             | Reset           | H'040           | H'00000100    |
|                          |                     | TLB protection violation *4 (instruction access) | 2          | 1-3             | Reset           | H'0A0           | H'00000100    |
|                          |                     | Illegal general instruction exception            | 2          | 2               | Reset           | H'180           | H'00000100    |
|                          |                     | Illegal slot instruction exception               | 2          | 2               | Reset           | H'1A0           | H'00000100    |
|                          |                     | CPU address error (data access)                  | 2          | 3               | Reset           | H'0E0/<br>H'100 | H'00000100    |
|                          |                     | TLB miss *4 (data access)                        | 2          | 3-1             | Reset           | H'040/<br>H'060 | H'00000400    |

| Exception Type             | Current Instruction | Exception Event  | Priority <sup>*1</sup> | Exception Order | Process at BL=1 | Vector Code     | Vector Offset |
|----------------------------|---------------------|--|------------------------|-----------------|-----------------|-----------------|---------------|
| General exception events   | Re-executed         | TLB invalid <sup>*4</sup> (data access)                | 2                      | 3-2             | Reset           | H'040/<br>H'060 | H'00000100    |
|                            |                     | TLB protection violation <sup>*4</sup> (data access)   | 2                      | 3-3             | Reset           | H'0A0/<br>H'0C0 | H'00000100    |
|                            |                     | Initial page write <sup>*4</sup> (data access)         | 2                      | 3-4             | Reset           | H'080           | H'00000100    |
|                            | Completed           | Unconditional trap (TRAPA instruction)                 | 2                      | 4               | Reset           | H'160           | H'00000100    |
|                            |                     | User breakpoint (After instruction execution, address) | 2                      | 5               | Ignored         | H'1E0           | H'00000100    |
| General interrupt requests | Completed           | User breakpoint (Data break, I-BUS break)              | 2                      | 5               | Ignored         | H'1E0           | H'00000100    |
|                            |                     | DMA address error                                      | 2                      | 6               | Retained        | H'5C0           | H'00000100    |
| Interrupt requests         | Completed           | Interrupt requests                                     | 3                      | — <sup>*2</sup> | Retained        | — <sup>*3</sup> | H'00000600    |

- Notes:
1. Priorities are indicated from high to low, 1 being the highest and 3 the lowest. A reset has the highest priority. An interrupt is accepted only when general exceptions are not requested.
  2. For details on priorities in multiple interrupt sources, refer to section 6, Interrupt Controller (INTC).
  3. If an interrupt is accepted, the exception event register (EXPEVT) is not changed. The interrupt source code is specified in interrupt source register 2 (EXPEVT2). For details, refer to section 6, Interrupt Controller (INTC).
  4. These exception codes are valid when the MMU is used.

## 5.3 Individual Exception Operations

This section describes the conditions for specific exception handling and the processor operations for resets and general exceptions. For interrupts, refer to section 6, Interrupt Controller (INTC).

### 5.3.1 Resets

#### Power-On Reset:

- Conditions  
Power-on reset is request
- Operations  
Set EXPEVT to H'000, initialize the CPU and on-chip peripheral modules, and branch to the reset vector H'A0000000. For details, refer to the register descriptions in the relevant sections.

#### Manual Reset:

- Conditions  
Manual reset is request
- Operations  
Set EXPEVT to H'020, initialize the CPU and on-chip peripheral modules, and branch to the reset vector H'A0000000. For details, refer to the register descriptions in the relevant sections.

### 5.3.2 General Exceptions

#### CPU Address Error:

- Conditions
  - Instruction is fetched from odd address ( $4n + 1$ ,  $4n + 3$ )
  - Word data is accessed from addresses other than word boundaries ( $4n + 1$ ,  $4n + 3$ )
  - Longword is accessed from addresses other than longword boundaries ( $4n + 1$ ,  $4n + 2$ ,  $4n + 3$ )
  - The area ranging from H'80000000 to H'FFFFFFFF in logical space is accessed in user mode
- Types  
Instruction synchronous, re-execution type
- Save address  
Instruction fetch: An instruction address to be fetched when an exception occurred  
Data access: An instruction address where an exception occurs (a delayed branch instruction address if an instruction is assigned to a delay slot)

- Exception code  
An exception occurred during read: H'0E0  
An exception occurred during write: H'1E0
- Remarks  
The logical address (32 bits) that caused the exception is set in TEA.

### **Illegal General Instruction Exception:**

- Conditions
  - When undefined code not in a delay slot is decoded  
Delayed branch instructions: JMP, JSR, BRA, BRAF, BSR, BSRF, RTS, RTE, BT/S, BF/S

Note: For details on undefined code, refer to section 2.6.2, Operation Code Map. When an undefined code other than H'F000 to H'FFFF is decoded, operation cannot be guaranteed.

- When a privileged instruction not in a delay slot is decoded in user mode  
Privileged instructions: LDC, STC, RTE, LDTLB, SLEEP; instructions that access GBR with LDC/STC are not privileged instructions.
- Types  
Instruction synchronous, re-execution type
- Save address  
An instruction address where an exception occurs
- Exception code  
H'180
- Remarks  
None

### **Illegal Slot Instruction:**

- Conditions
  - When undefined code in a delay slot is decoded  
Delayed branch instructions: JMP, JSR, BRA, BRAF, BSR, BSRF, RTS, RTE, BT/S, BF/S
  - When a privileged instruction in a delay slot is decoded in user mode  
Privileged instructions: LDC, STC, RTE, LDTLB, SLEEP; instructions that access GBR with LDC/STC are not privileged instructions.
  - When an instruction that rewrites PC in a delay slot is decoded  
Instructions that rewrite PC: JMP, JSR, BRA, BRAF, BSR, BSRF, RTS, RTE, BT, BF, BT/S, BF/S, TRAPA, LDC Rm, SR, LDC.L @Rm+, SR
- Types  
Instruction synchronous, re-execution type

- Save address  
A delayed branch instruction address
- Exception code  
H'1A0
- Remarks  
None

### **Unconditional Trap:**

- Conditions  
TRAPA instruction executed
- Types  
Instruction synchronous, processing-completion type
- Save address  
An address of an instruction following TRAPA
- Exception code  
H'160
- Remarks  
The exception is a processing-completion type, so PC of the instruction after the TRAPA instruction is saved to SPC. The 8-bit immediate value in the TRAPA instruction is quadrupled and set in TRA[9:2].

### **User Break Point Trap:**

- Conditions  
When a break condition set in the user break controller is satisfied
- Types  
Break (L bus) before instruction execution: Instruction synchronous, re-execution type  
Operand break (L bus): Instruction synchronous, processing-completion type  
Data break (L bus): Instruction asynchronous, processing-completion type  
I bus break: Instruction asynchronous, processing-completion type
- Save address  
Re-execution type: An address of the instruction where a break occurs (a delayed branch instruction address if an instruction is assigned to a delay slot)  
Processing-completion type: An address of the instruction following the instruction where a break occurs (a delayed branch instruction address if an instruction is assigned to a delay slot)
- Exception code  
H'1E0

- Remarks

For details on user break controller, refer to section 22, User Break Controller (UBC).

### **DMA Address Error:**

- Conditions
  - Word data accessed from addresses other than word boundaries ( $4n + 1$ ,  $4n + 3$ )
  - Longword accessed from addresses other than longword boundaries ( $4n + 1$ ,  $4n + 2$ ,  $4n + 3$ )
- Types
 

Instruction asynchronous, processing-completion type
- Save address
 

An address of the instruction following the instruction where a break occurs (a delayed branch instruction destination address if an instruction is assigned to a delay slot)
- Exception code
 

H'5C0
- Remarks
 

An exception occurs when a DMA transfer is executed while an illegal instruction address described above is specified in the DMAC. Since the DMA transfer is performed asynchronously with the CPU instruction operation, an exception is also requested asynchronously with the instruction execution. For details on DMAC, refer to section 8, Direct Memory Access Controller (DMAC).

### **5.3.3 General Exceptions (MMU Exceptions)**

When the address translation unit of the memory management unit (MMU) is valid, MMU exceptions are checked after a CPU address error has been checked. Four types of MMU exceptions are defined: TLP error exception, TLP invalid exception, TLB protection exception, and initial page write exception. These exceptions are checked in this order.

A vector offset for a TLB error exception is defined as H'00000400 to simplify exception source determination. For details on MMU exception operations, refer to section 3, Memory Management Unit (MMU).

### **TLB Miss Exception:**

- Conditions
 

Comparison of TLB addresses shows no address match.
- Types
 

Instruction synchronous, re-execution type

- Save address

Instruction fetch: An instruction address to be fetched when an exception occurred

Data access: An instruction address where an exception occurs (a delayed branch instruction address if an instruction is assigned to a delay slot)

- Exception code

An exception occurred during read: H'040

An exception occurred during write: H'060

- Remarks

The logical address (32 bits) that caused the exception is set in TEA and the MMU registers are updated. The vector address of the TLB miss exception is VBR + H'0400. To speed up TLB miss processing, the offset differs from other exceptions.

### **TLB Invalid Exception:**

- Conditions

Comparison of TLB addresses shows address match but  $V = 0$ .

- Types

Instruction synchronous, re-execution type

- Save address

Instruction fetch: An instruction address to be fetched when an exception occurred

Data access: An instruction address where an exception occurs (a delayed branch instruction address if an instruction is assigned to a delay slot)

- Exception code

An exception occurred during read: H'040

An exception occurred during write: H'060

- Remarks

The logical address (32 bits) that caused the exception is set in TEA and the MMU registers are updated.

### **TLB Protection Exception:**

- Conditions

When a hit access violates the TLB protection information (PR bits)

- Types

Instruction synchronous, re-execution type

- Save address

Instruction fetch: An instruction address to be fetched when an exception occurred

Data access: An instruction address where an exception occurs (a delayed branch instruction address if an instruction is assigned to a delay slot)



- Exception code  
An exception occurred during read: H'0A0  
An exception occurred during write: H'0C0
- Remarks  
The logical address (32 bits) that caused the exception is set in TEA and the MMU registers are updated.

### **Initial Page Write Exception:**

- Conditions  
A hit occurred to the TLB for a store access, but D = 0.
- Types  
Instruction synchronous, re-execution type
- Save address  
Instruction fetch: An instruction address to be fetched when an exception occurred  
Data access: An instruction address where an exception occurs (a delayed branch instruction address if an instruction is assigned to a delay slot)
- Exception code  
H'080
- Remarks  
The logical address (32 bits) that caused the exception is set in TEA and the MMU registers are updated.

## 5.4 Usage Notes

1. An instruction assigned at a delay slot of the RTE instruction is executed after the contents of the SSR is restored into the SR. An acceptance of an exception related to instruction access is determined according to the SR before restore. An acceptance of other exceptions is determined by the SR after restore, processing mode, and BL bit value. A processing-completion type exception is accepted before an instruction at the RTE branch destination address is executed. However, note that the correct operation cannot be guaranteed if a re-execution type exception occurs.
2. In an instruction assigned at a delay slot of the RTE instruction, a user break cannot be accepted.
3. If the MD and BL bits of the SR register are changed by the LDC instruction, an exception is accepted according to the changed SR value from the next instruction.\* A processing-completion type exception is accepted before the next instruction is executed. An interrupt and DMA address error in re-execution type exceptions are accepted before the next instruction is executed.

Note:\* If an LDC instruction is executed for the SR, the following instructions are re-fetched and an instruction fetch exception is accepted according to the modified SR value.

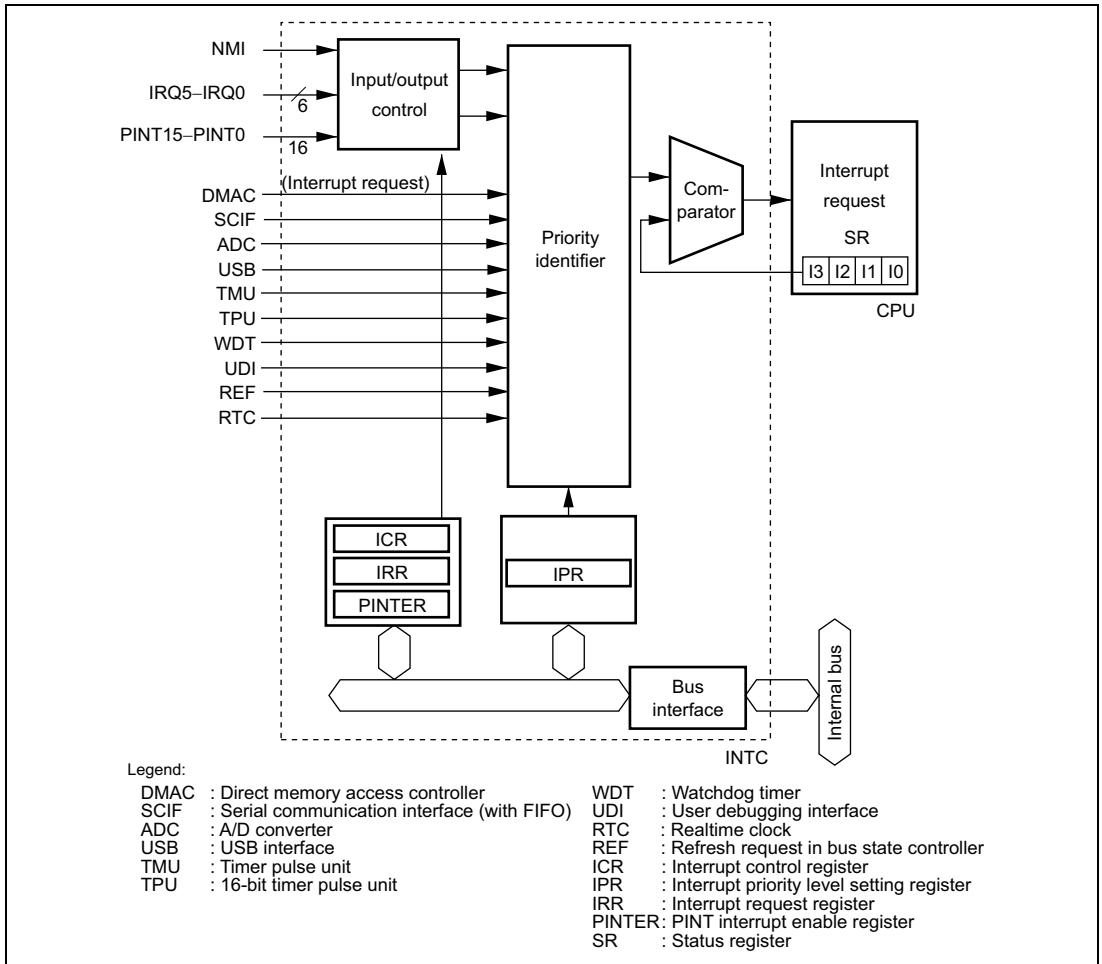
# Section 6 Interrupt Controller (INTC)

The interrupt controller (INTC) ascertains the priority of interrupt sources and controls interrupt requests to the CPU. The INTC registers set the order of priority of each interrupt, allowing the user to process interrupt requests according to the user-set priority.

## 6.1 Features

- 16 levels of interrupt priority can be set  
By setting the interrupt priority registers, the priorities of on-chip peripheral modules, and IRQ interrupts can be selected from 16 levels for individual request sources.
- NMI noise canceller function  
An NMI input-level bit indicates the NMI pin state. By reading this bit in the interrupt exception service routine, the pin state can be checked, enabling it to be used as a noise canceller.
- IRQ interrupts can be set  
Detection of low level, high level, rising edge, or falling edge

Figure 6.1 shows a block diagram of the INTC.



**Figure 6.1 Block Diagram of INTC**

## 6.2 Input/Output Pins

Table 6.1 shows the INTC pin configuration.

**Table 6.1 Pin Configuration**

| Name                            | Abbreviation   | I/O   | Description  |
|---------------------------------|--|-------|--|
| Nonmaskable interrupt input pin | NMI  | Input | Input of interrupt request signal, not maskable by the interrupt mask bits in SR |
| Interrupt input pins            | $\overline{\text{IRQ5}}$ to $\overline{\text{IRQ0}}$ ,<br>$\overline{\text{IRL3}}$ to $\overline{\text{IRL0}}$ | Input | Input of interrupt request signals   |
| Port interrupt input pins       | PINT15 to<br>PINT0   | Input | Input of port interrupt signals  |

Note:  $\overline{\text{IRL3}}$  to  $\overline{\text{IRL0}}$  are multiplexed with  $\overline{\text{IRQ3}}$  to  $\overline{\text{IRQ0}}$ ; they cannot be used together with  $\overline{\text{IRQ3}}$  to  $\overline{\text{IRQ0}}$  at the same time.

## 6.3 Register Descriptions

The INTC has the following registers. For details on register addresses and register states during each processing, refer to section 24, List of Registers.

- Interrupt control register 0 (ICR0)
- Interrupt control register 1 (ICR1)
- Interrupt control register 2 (ICR2)
- PINT interrupt enable register (PINTER)
- Interrupt priority level setting register A (IPRA)
- Interrupt priority level setting register B (IPRB)
- Interrupt priority level setting register C (IPRC)
- Interrupt priority level setting register D (IPRD)
- Interrupt priority level setting register E (IPRE)
- Interrupt priority level setting register F (IPRF)
- Interrupt priority level setting register G (IPRG)
- Interrupt priority level setting register H (IPRH)
- Interrupt request register 0 (IRR0)
- Interrupt request register 1 (IRR1)
- Interrupt request register 2 (IRR2)

### 6.3.1 Interrupt Priority Level Setting Registers A to H (IPRA to IPRH)

IPRA to IPRH are 16-bit readable/writable registers in which priority levels from 0 to 15 are set for on-chip peripheral module, and IRQ and PINT interrupts.

| Bit     | Bit Name      | Initial Value | R/W | Description   |
|---------|---------------|---------------|-----|---|
| 15 to 0 | IPR15 to IPR0 | 0             | R/W | These bits set the priority level for each interrupt source in 4-bit units. For details, see table 6.2. |

**Table 6.2 Interrupt Sources and IPRA to IPRH**

| Register | Bits 15 to 12  | Bits 11 to 8    | Bits 7 to 4 | Bits 3 to 0 |
|----------|----------------|-----------------|-------------|-------------|
| IPRA     | TMU0           | TMU1            | TMU2        | RTC         |
| IPRB     | WDT            | REF             | Reserved*   | Reserved*   |
| IPRC     | IRQ3           | IRQ2            | IRQ1        | IRQ0        |
| IPRD     | PINT0 to PINT7 | PINT8 to PINT15 | IRQ5        | IRQ4        |
| IPRE     | DMAC           | SCIF0           | SCIF2       | ADC         |
| IPRF     | Reserved*      | Reserved*       | USB         | Reserved*   |
| IPRG     | TPU0           | TPU1            | Reserved*   | Reserved*   |
| IPRH     | TPU2           | TPU3            | Reserved*   | Reserved*   |

Note: \* Always read as 0. The write value should always be 0.

As shown in table 6.2, on-chip peripheral module, or IRQ or PINT interrupts are assigned to four 4-bit groups in each register. These 4-bit groups (bits 15 to 12, bits 11 to 8, bits 7 to 4, and bits 3 to 0) are set with values from H'0 (0000) to H'F (1111). Setting H'0 means priority level 0 (masking is requested); H'F means priority level 15 (the highest level).

### 6.3.2 Interrupt Control Register 0 (ICR0)

ICR0 is a register that sets the input signal detection mode of external interrupt input pin NMI, and indicates the input signal level at the NMI pin.

| Bit     | Bit Name | Initial Value | R/W | Description  |
|---------|----------|---------------|-----|--|
| 15      | NMIL     | 0/1*          | R   | NMI Input Level<br>Sets the level of the signal input at the NMI pin. This bit can be read from to determine the NMI pin level. This bit cannot be modified.<br>0: NMI input level is low<br>1: NMI input level is high                                    |
| 14 to 9 | —        | 0             | R   | Reserved<br>These bits are always read as 0. The write value should always be 0.   |
| 8       | NMIE     | 0             | R/W | NMI Edge Select<br>Selects whether the falling or rising edge of the interrupt request signal at the NMI pin is detected.<br>0: Interrupt request is detected on falling edge of NMI input<br>1: Interrupt request is detected on rising edge of NMI input |
| 7 to 0  | —        | 0             | R   | Reserved<br>These bits are always read as 0. The write value should always be 0.   |

Note: \* When NMI input is high, 0 when NMI input is low.

### 6.3.3 Interrupt Control Register 1 (ICR1)

ICR1 is a 16-bit register that specifies the detection mode for external interrupt input pins IRQ0 to IRQ5 individually: rising edge, falling edge, high level, or low level.

| Bit | Bit Name | Initial Value | R/W | Description   |
|-----|----------|---------------|-----|---|
| 15  | MAI      | 0             | R/W | <p>Mask All Interrupts</p> <p>When set to 1, masks all interrupt requests when a low level is being input to the NMI pin. Masks NMI interrupts in standby mode.</p> <p>0: All interrupt requests are not masked when a low level is being input to the NMI pin</p> <p>1: All interrupt requests are masked when a low level is being input to the NMI pin</p>                                       |
| 14  | IRQLVL   | 1             | R/W | <p>Interrupt Request Level Detect</p> <p>Selects whether the IRQ3 to IRQ0 pins are enabled or disabled to be used as four independent interrupt pins. This bit does not affect the IRQ4 and IRQ5 pins.</p> <p>0: Used as four independent interrupt request pins IRQ3 to IRQ0</p> <p>1: Used as encoded 15-level interrupt pins as <math>\overline{IRL3}</math> to <math>\overline{IRL0}</math></p> |
| 13  | BLMSK    | 0             | R/W | <p>BL Bit Mask</p> <p>Specifies whether NMI interrupts are masked when the BL bit of the SR register is 1.</p> <p>0: NMI interrupts are masked when the BL bit is 1</p> <p>1: NMI interrupts are accepted regardless of the BL bit setting</p>  |
| 12  | —        | 0             | R   | <p>Reserved</p> <p>This bit is always read as 0. The write value should always be 0.</p>  |



| Bit      | Bit Name         | Initial Value   | R/W | Description  |          |        |  |        |        |  |   |   |   |   |   |  |   |   |  |   |   |   |
|----------|------------------|---|-----|--|----------|--------|--|--------|--------|--|---|---|---|---|---|--|---|---|--|---|---|---|
| 11 to 0  | IRQ51S to IRQ00S | 0   | R/W | <p>IRQn Sense Select</p> <p>Select whether the interrupt signals to the IRQ5 to IRQ0 pins are detected at the falling edge, at the rising edge, at low level, or at high level.</p> <table border="1"> <thead> <tr> <th>Bit 2n+1</th> <th>Bit 2n</th> <th></th> </tr> <tr> <th>IRQn1S</th> <th>IRQn0S</th> <th></th> </tr> </thead> <tbody> <tr> <td>0</td> <td>0</td> <td>An interrupt request is detected at IRQn input falling edge</td> </tr> <tr> <td>0</td> <td>1</td> <td>An interrupt request is detected at IRQn input rising edge</td> </tr> <tr> <td>1</td> <td>0</td> <td>An interrupt request is detected at IRQn input low level</td> </tr> <tr> <td>1</td> <td>1</td> <td>An interrupt request is detected at IRQn input high level</td> </tr> </tbody> </table> <p>[Legend] n = 0 to 5</p> | Bit 2n+1 | Bit 2n |  | IRQn1S | IRQn0S |  | 0 | 0 | An interrupt request is detected at IRQn input falling edge | 0 | 1 | An interrupt request is detected at IRQn input rising edge | 1 | 0 | An interrupt request is detected at IRQn input low level | 1 | 1 | An interrupt request is detected at IRQn input high level |
| Bit 2n+1 | Bit 2n           |   |     |  |          |        |  |        |        |  |   |   |   |   |   |  |   |   |  |   |   |   |
| IRQn1S   | IRQn0S           |   |     |  |          |        |  |        |        |  |   |   |   |   |   |  |   |   |  |   |   |   |
| 0        | 0                | An interrupt request is detected at IRQn input falling edge |     |  |          |        |  |        |        |  |   |   |   |   |   |  |   |   |  |   |   |   |
| 0        | 1                | An interrupt request is detected at IRQn input rising edge  |     |  |          |        |  |        |        |  |   |   |   |   |   |  |   |   |  |   |   |   |
| 1        | 0                | An interrupt request is detected at IRQn input low level    |     |  |          |        |  |        |        |  |   |   |   |   |   |  |   |   |  |   |   |   |
| 1        | 1                | An interrupt request is detected at IRQn input high level   |     |  |          |        |  |        |        |  |   |   |   |   |   |  |   |   |  |   |   |   |

### 6.3.4 Interrupt Control Register 2 (ICR2)

ICR2 is a 16-bit register that specifies the detection mode for external interrupt input pins PINT15 to PINT0.

| Bit     | Bit Name          | Initial Value | R/W | Description  |
|---------|-------------------|---------------|-----|--|
| 15 to 0 | PINT15S to PINT0S | 0             | R/W | <p>PINT15 to PINT0 Sense Select</p> <p>Select whether interrupt request signals to PINT15 to PINT0 are detected at low levels or high levels.</p> <p>PINTnS</p> <p>0: Interrupt requests are detected at low level input to the PINT pins</p> <p>1: Interrupt requests are detected at high level input to the PINT pins</p> <p>[Legend] n = 0 to 15</p> |

### 6.3.5 PINT Interrupt Enable Register (PINTER)

PINTER is a 16-bit register that enables interrupt requests input to external interrupt input pins PINT0 to PINT15.

When all or some of these pins, PINT0 to PINT15 are not used as an interrupt input, a bit corresponding to a pin unused as an interrupt request should be cleared to 0.

| Bit     | Bit Name          | Initial Value | R/W | Description   |
|---------|-------------------|---------------|-----|---|
| 15 to 0 | PINT15E to PINT0E | 0             | R/W | <p>PINT15 to PINT0 Interrupt Enable</p> <p>Select whether the interrupt requests input to the PINT15 to PINT0 pins is enabled.</p> <p>PINTnE</p> <p>0: Disables PINT input interrupt requests</p> <p>1: Enables PINT input interrupt requests</p> <p>[Legend] n = 0 to 15</p> |

### 6.3.6 Interrupt Request Register 0 (IRR0)

IRR0 is an 8-bit register that indicates interrupt requests from external input pins IRQ0 to IRQ5 and PINT0 to PINT15.

| Bit    | Bit Name       | Initial Value | R/W | Description   |
|--------|----------------|---------------|-----|---|
| 7      | PINT0R         | 0             | R   | <p>PINT0 to PINT7 Interrupt Request</p> <p>Indicates whether interrupt requests are input to PINT0 to PINT7 pins.</p> <p>0: Interrupt requests are not input to PINT0 to PINT7 pins</p> <p>1: Interrupt requests are input to PINT0 to PINT7 pins</p>   |
| 6      | PINT1R         | 0             | R   | <p>PINT8 to PINT15 Interrupt Request</p> <p>Indicates whether interrupt requests are input to PINT8 to PINT15 pins.</p> <p>0: Interrupt requests are not input to PINT8 to PINT15 pins</p> <p>1: Interrupt requests are input to PINT8 to PINT15 pins</p>   |
| 5 to 0 | IRQ5R to IRQ0R | 0             | R/W | <p>IRQn Interrupt Request</p> <p>Indicates whether there is interrupt request input to the IRQn pin. When edge-detection mode is set for IRQn, an interrupt request is cleared by writing 0 to the IRQnR bit after reading IRQnR = 1.</p> <p>When level-detection mode is set for IRQn, these bits indicate whether an interrupt request is input. The interrupt request is set/cleared by only 1/0 input to the IRQn pin.</p> <p>IRQnR</p> <p>0: No interrupt request input to IRQn pin</p> <p>1: Interrupt request input to IRQn pin</p> <p>[Legend] n = 0 to 5</p> |

### 6.3.7 Interrupt Request Register 1 (IRR1)

IRR1 is an 8-bit register that indicates whether DMAC or SCIF0 interrupt requests are generated.

| Bit | Bit Name | Initial Value | R/W | Description   |
|-----|----------|---------------|-----|---|
| 7   | TXI0R    | 0             | R   | TXI0 Interrupt Request<br>Indicates whether a TXI0 (SCIF0) interrupt request is generated.<br>0: A TXI0 interrupt request is not generated<br>1: A TXI0 interrupt request is generated    |
| 6   | —        | 0             | R   | Reserved<br>This bit is always read as 0.   |
| 5   | RXI0R    | 0             | R   | RXI0 Interrupt Request<br>Indicates whether an RXI0 (SCIF0) interrupt request is generated.<br>0: An RXI0 interrupt request is not generated<br>1: An RXI0 interrupt request is generated |
| 4   | ERI0R    | 0             | R   | ERI0 Interrupt Request<br>Indicates whether an ERI0 (SCIF0) interrupt request is generated.<br>0: An ERI0 interrupt request is not generated<br>1: An ERI0 interrupt request is generated |
| 3   | DEI3R    | 0             | R   | DEI3 Interrupt Request<br>Indicates whether a DEI3 (DMAC) interrupt request is generated.<br>0: A DEI3 interrupt request is not generated<br>1: A DEI3 interrupt request is generated     |
| 2   | DEI2R    | 0             | R   | DEI2 Interrupt Request<br>Indicates whether a DEI2 (DMAC) interrupt request is generated.<br>0: A DEI2 interrupt request is not generated<br>1: A DEI2 interrupt request is generated     |
| 1   | DEI1R    | 0             | R   | DEI1 Interrupt Request<br>Indicates whether a DEI1 (DMAC) interrupt request is generated.<br>0: A DEI1 interrupt request is not generated<br>1: A DEI1 interrupt request is generated     |

| Bit | Bit Name | Initial Value | R/W | Description   |
|-----|----------|---------------|-----|---|
| 0   | DEI0R    | 0             | R   | DEI0 Interrupt Request<br>Indicates whether a DEI0 (DMAC) interrupt request is generated.<br>0: A DEI0 interrupt request is not generated<br>1: A DEI0 interrupt request is generated |

### 6.3.8 Interrupt Request Register 2 (IRR2)

IRR2 is an 8-bit register that indicates whether SCIF2 or ADC interrupt requests are generated.

| Bit    | Bit Name | Initial Value | R/W | Description   |
|--------|----------|---------------|-----|---|
| 7 to 5 | —        | 0             | R   | Reserved<br>These bits are always read as 0.  |
| 4      | ADIR     | 0             | R   | ADI Interrupt Request<br>Indicates whether an ADI (ADC) interrupt request is generated.<br>0: An ADI interrupt request is not generated<br>1: An ADI interrupt request is generated       |
| 3      | TXI2R    | 0             | R   | TXI2 Interrupt Request<br>Indicates whether a TXI2 (SCIF2) interrupt request is generated.<br>0: A TXI2 interrupt request is not generated<br>1: A TXI2 interrupt request is generated    |
| 2      | —        | 0             | R   | Reserved<br>This bit is always read as 0.   |
| 1      | RXI2R    | 0             | R   | RXI2 Interrupt Request<br>Indicates whether an RXI2 (SCIF2) interrupt request is generated.<br>0: An RXI2 interrupt request is not generated<br>1: An RXI2 interrupt request is generated |
| 0      | ERI2R    | 0             | R   | ERI2 Interrupt Request<br>Indicates whether an ERI2 (SCIF2) interrupt request is generated.<br>0: An ERI2 interrupt request is not generated<br>1: An ERI2 interrupt request is generated |

## 6.4 Interrupt Sources

There are five types of interrupt sources: NMI, IRQ, IRL, PINT, and on-chip peripheral modules. Each interrupt has a priority level (0 to 16), with 1 the lowest and 16 the highest. Priority level 0 masks an interrupt, so the interrupt request is ignored.

### 6.4.1 NMI Interrupt

The NMI interrupt has the highest priority level of 16. When the BLMSK bit in the interrupt control register 1 (ICR1) is 1 or the BL bit in the status register (SR) is 0, NMI interrupt is accepted. NMI interrupt is edge-detected. In sleep or standby mode, the interrupt is accepted regardless of the BL setting. The NMI edge select bit (NMIE) in the interrupt control register 0 (ICR0) is used to select either rising or falling edge detection.

When using edge-input detection for NMI interrupt, a pulse width of at least two  $P\phi$  cycles (peripheral clock) is necessary. NMI interrupt exception handling does not affect the interrupt mask level bits (I3 to I0) in the status register (SR). When the MAI bit in ICR1 is 1, NMI interrupt is not accepted.

It is possible to wake the chip up from sleep mode or standby mode with an NMI interrupt.

### 6.4.2 IRQ Interrupts

IRQ interrupts are input by level or edge from pins IRQ0 to IRQ5. The priority level can be set by interrupt priority registers C and D (IPRC and IPRD) in a range from 0 to 15.

When using edge-sensing for IRQ interrupts, clear the interrupt source by having software read 1 from the corresponding bit in IRR0, then write 0 to the bit.

When ICR1 is rewritten, IRQ interrupts may be mistakenly detected, depending on the IRQ pin states. To prevent this, rewrite the register while interrupts are masked, then release the mask after clearing the illegal interrupt by writing 0 to interrupt request register 0 (IRR0).

Edge input interrupt detection requires input of a pulse width of more than two cycles on a P clock basis.

When using level-sensing for IRQ interrupts, the pin levels must be retained until the CPU samples the pins. Therefore, the interrupt source must be cleared by the interrupt handler.

The interrupt mask bits (I3 to I0) in the status register (SR) are not affected by IRQ interrupt handling. IRQ interrupts can wake the chip up from the standby state when the relevant interrupt level is higher than I3 to I0 in SR (but only when the RTC is used, the clock for the RTC is used to wake the chip up from the standby state).

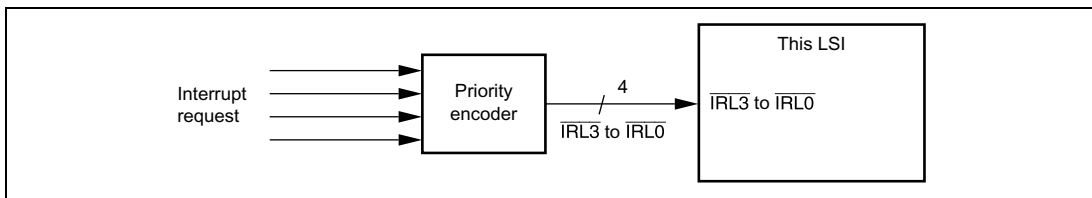
### 6.4.3 IRL Interrupts

IRL interrupts are input by level at pins  $\overline{\text{IRL3}}$  to  $\overline{\text{IRL0}}$ . The priority level is the higher of those indicated by pins  $\overline{\text{IRL3}}$  to  $\overline{\text{IRL0}}$ . An  $\overline{\text{IRL3}}$  to  $\overline{\text{IRL0}}$  value of 0 (0000) indicates the highest-level interrupt request (interrupt priority level 15). A value of 15 (1111) indicates no interrupt request (interrupt priority level 0). Figure 6.2 shows an examples of an IRL interrupt connection. Table 6.3 shows  $\overline{\text{IRL}}$  pin and interrupt levels.

A noise-cancellation feature is built in, and the IRL interrupt is not detected unless the levels sampled at every peripheral clock remain unchanged for two consecutive cycles, so that no transient level on the  $\overline{\text{IRL}}$  pin change is detected. In standby mode, as the peripheral clock is stopped, noise cancellation is performed using the clock for the RTC instead. Therefore when the RTC is not used, recovery from standby mode by means of IRL interrupts cannot be performed in standby mode.

The priority level of the IRL interrupt must not be lowered unless the interrupt is accepted and the interrupt processing starts. However, the priority level can be changed to a higher one.

The interrupt mask bits (I3 to I0) in the status register (SR) are not affected by  $\overline{\text{IRL}}$  interrupt processing.



**Figure 6.2 Example of IRL Interrupt Connection**

**Table 6.3**  $\overline{\text{IRL3}}$  to  $\overline{\text{IRL0}}$  Pins and Interrupt Levels

| $\overline{\text{IRL3}}$ | $\overline{\text{IRL2}}$ | $\overline{\text{IRL1}}$ | $\overline{\text{IRL0}}$ | Interrupt Priority Level | Interrupt Request          |
|--------------------------|--------------------------|--------------------------|--------------------------|--------------------------|----------------------------|
| 0                        | 0                        | 0                        | 0                        | 15                       | Level 15 interrupt request |
| 0                        | 0                        | 0                        | 1                        | 14                       | Level 14 interrupt request |
| 0                        | 0                        | 1                        | 0                        | 13                       | Level 13 interrupt request |
| 0                        | 0                        | 1                        | 1                        | 12                       | Level 12 interrupt request |
| 0                        | 1                        | 0                        | 0                        | 11                       | Level 11 interrupt request |
| 0                        | 1                        | 0                        | 1                        | 10                       | Level 10 interrupt request |
| 0                        | 1                        | 1                        | 0                        | 9                        | Level 9 interrupt request  |
| 0                        | 1                        | 1                        | 1                        | 8                        | Level 8 interrupt request  |
| 1                        | 0                        | 0                        | 0                        | 7                        | Level 7 interrupt request  |
| 1                        | 0                        | 0                        | 1                        | 6                        | Level 6 interrupt request  |
| 1                        | 0                        | 1                        | 0                        | 5                        | Level 5 interrupt request  |
| 1                        | 0                        | 1                        | 1                        | 4                        | Level 4 interrupt request  |
| 1                        | 1                        | 0                        | 0                        | 3                        | Level 3 interrupt request  |
| 1                        | 1                        | 0                        | 1                        | 2                        | Level 2 interrupt request  |
| 1                        | 1                        | 1                        | 0                        | 1                        | Level 1 interrupt request  |
| 1                        | 1                        | 1                        | 1                        | 0                        | No interrupt request       |

#### 6.4.4 PINT Interrupt

PINT interrupts are input from pins PINT0 to PINT15 with a level. The priority level can be set by the interrupt priority level setting register D (IPRD) in a range from levels 0 to 15, in the unit of PINT0 to PINT7 or PINT8 to PINT15. The PINT interrupt level should be held until the interrupt is accepted and interrupt handling is started.

The interrupt mask bits (I3 to I0) in the status register (SR) are not affected by PINT interrupt processing. PINT interrupts can wake the chip up from the standby state when the relevant interrupt level is higher than I3 to I0 in SR (but only when the RTC is used, the clock for the RTC is used to wake the chip up from the standby state).

#### 6.4.5 On-Chip Peripheral Module Interrupts

On-chip peripheral module interrupts are generated by the following 10 modules:

- Direct memory access controller (DMAC)
- Serial communication interfaces (SCIF0 and SCIF2)
- A/D converter (ADC)



- USB interface (USB)
- Timer unit (TMU)
- 16-bit timer pulse unit (TPU)
- Watchdog timer (WDT)
- Bus state controller (BSC)
- User-debugging interface (UDI)
- Realtime clock (RTC)

Not every interrupt source is assigned a different interrupt vector. Sources are reflected in the interrupt event registers (INTEVT and INTEVT2). It is easy to identify sources by using the value of INTEVT or INTEVT2 as a branch offset.

A priority level (from 0 to 15) can be set for each module except UDI by writing to the interrupt priority level setting registers A to H (IPRA to IPRH). The priority level of the UDI interrupt is 15 (fixed).

The interrupt mask bits (I3 to I0) in the status register are not affected by on-chip peripheral module interrupt handling.

#### **6.4.6 Interrupt Exception Handling and Priority**

There are five types of interrupt sources: NMI, IRQ, IRL, PINT, and on-chip peripheral modules. The priority of each interrupt source is set within priority levels 0 to 16; level 16 is the highest and level 1 is the lowest. When the priority is set to level 0, that interrupt is masked and the interrupt request is ignored.

Tables 6.4 and 6.5 list the codes for the interrupt source and the interrupt event registers (INTEVT and INTEVT2) and the order of interrupt priority.

Each interrupt source is assigned a unique code by INTEVT and INTEVT2. The start address of the interrupt service routine is common for each interrupt source. This is why, for instance, the value of INTEVT2 is used as an offset at the start of the interrupt service routine and branched to in order to identify the interrupt source.

IRQ and PINT interrupts, and on-chip peripheral module interrupt priorities can be set freely between 0 and 15 for each module by setting the interrupt priority level setting registers. A reset assigns priority level 0 to IRQ, PINT, and on-chip peripheral module interrupts.

If the same priority level is assigned to two or more interrupt sources and interrupts from those sources occur simultaneously, their priority order is the default priority order indicated at the right in tables 6.4 and 6.5.

**Table 6.4 Interrupt Exception Handling Sources and Priority (IRQ Mode)**

| Interrupt Source | Interrupt Code*1 | Interrupt Priority (Initial Value) | IPR (Bit Numbers) | Priority within IPR Setting Unit | Default Priority |      |
|------------------|------------------|------------------------------------|-------------------|----------------------------------|------------------|------|
| NMI              | H'1C0*2          | 16                                 | —                 | —                                | High<br>↑        |      |
| UDI              | H'5E0*2          | 15                                 | —                 | —                                |                  |      |
| IRQ              | IRQ0             | H'600*3                            | 0 to 15 (0)       | IPRC (3 to 0)                    |                  | —    |
|                  | IRQ1             | H'620*3                            | 0 to 15 (0)       | IPRC (7 to 4)                    |                  | —    |
|                  | IRQ2             | H'640*3                            | 0 to 15 (0)       | IPRC (11 to 8)                   |                  | —    |
|                  | IRQ3             | H'660*3                            | 0 to 15 (0)       | IPRC (15 to 12)                  |                  | —    |
|                  | IRQ4             | H'680*3                            | 0 to 15 (0)       | IPRD (3 to 0)                    |                  | —    |
|                  | IRQ5             | H'6A0*3                            | 0 to 15 (0)       | IPRD (7 to 4)                    |                  | —    |
| PINT             | PINT0 to PINT7   | H'700*3                            | 0 to 15 (0)       | IPRD (15 to 12)                  |                  | —    |
|                  | PINT8 to PINT15  | H'720*3                            | 0 to 15 (0)       | IPRD (11 to 8)                   |                  | —    |
| DMAC             | DEI0             | H'800*3                            | 0 to 15 (0)       | IPRE (15 to 12)                  |                  | High |
|                  | DEI1             | H'820*3                            |                   |                                  |                  | ↕    |
|                  | DEI2             | H'840*3                            |                   |                                  |                  | ↓    |
|                  | DEI3             | H'860*3                            |                   |                                  | Low              |      |
| SCIF0            | ERI0             | H'880*3                            | 0 to 15 (0)       | IPRE (11 to 8)                   | High             |      |
|                  | RX10             | H'8A0*3                            |                   |                                  | ↕                |      |
|                  | TX10             | H'8E0*3                            |                   |                                  | Low              |      |
| SCIF2            | ERI2             | H'900*3                            | 0 to 15 (0)       | IPRE (7 to 4)                    | High             |      |
|                  | RX12             | H'920*3                            |                   |                                  | ↕                |      |
|                  | TX12             | H'960*3                            |                   |                                  | Low              |      |
| ADC              | ADI              | H'980*3                            | 0 to 15 (0)       | IPRE (3 to 0)                    | —                |      |
| USB              | USI0             | H'A20*3                            | 0 to 15 (0)       | IPRF (7 to 4)                    | High             |      |
|                  | USI1             | H'A40*3                            |                   |                                  | Low              |      |
| TPU0             | TPI0             | H'C00*3                            | 0 to 15 (0)       | IPRG (15 to 12)                  | —                |      |
| TPU1             | TPI1             | H'C20*3                            | 0 to 15 (0)       | IPRG (11 to 8)                   | —                |      |
| TPU2             | TPI2             | H'C80*3                            | 0 to 15 (0)       | IPRH (15 to 12)                  | —                |      |
| TPU3             | TPI3             | H'CA0*3                            | 0 to 15 (0)       | IPRH (11 to 8)                   | —                |      |
|                  |                  |                                    |                   |                                  | Low              |      |

| Interrupt Source |        | Interrupt Code <sup>*1</sup> | Interrupt Priority (Initial Value) | IPR (Bit Numbers) | Priority within IPR Setting Unit | Default Priority |     |
|------------------|--------|------------------------------|------------------------------------|-------------------|----------------------------------|------------------|-----|
| TMU0             | TUNIO  | H'400 <sup>*2</sup>          | 0 to 15 (0)                        | IPRA (15 to 12)   | —                                | High             |     |
| TMU1             | TUNI1  | H'420 <sup>*2</sup>          | 0 to 15 (0)                        | IPRA (11 to 8)    | —                                | ↑                |     |
| TMU2             | TUNI2  | H'440 <sup>*2</sup>          | 0 to 15 (0)                        | IPRA (7 to 4)     | High                             |                  |     |
|                  | TICPI2 | H'460 <sup>*2</sup>          |                                    |                   | Low                              |                  |     |
| RTC              | ATI    | H'480 <sup>*2</sup>          | 0 to 15 (0)                        | IPRA (3 to 0)     | High                             |                  |     |
|                  | PRI    | H'4A0 <sup>*2</sup>          |                                    |                   | ↕                                |                  |     |
|                  | CUI    | H'4C0 <sup>*2</sup>          |                                    |                   | Low                              |                  |     |
| WDT              | ITI    | H'560 <sup>*2</sup>          | 0 to 15 (0)                        | IPRB (15 to 12)   | —                                |                  |     |
| REF              | RCMI   | H'580 <sup>*2</sup>          | 0 to 15 (0)                        | IPRB (11 to 8)    | —                                |                  | Low |

Notes: 1. The INTEVT2 code.

2. The same code as INTEVT2 is set in INTEVT.

3. The code indicating an interrupt level (H'200 to H'3C0 shown in table 6.6) is set in INTEVT.

**Table 6.5 Interrupt Exception Handling Sources and Priority (IRL Mode)**

| Interrupt Source                    | Interrupt Code*1                    | Interrupt Priority (Initial Value) | IPR (Bit Numbers) | Priority within IPR Setting Unit | Default Priority |   |
|-------------------------------------|-------------------------------------|------------------------------------|-------------------|----------------------------------|------------------|---|
| NMI                                 | H'1C0*2                             | 16                                 | —                 | —                                | High             |   |
| UDI                                 | H'5E0*2                             | 15                                 | —                 | —                                | ↑                |   |
| IRL                                 | $\overline{\text{IRL}}(3:0) = 0000$ | H'200*3                            | 15                | —                                |                  | — |
|                                     | $\overline{\text{IRL}}(3:0) = 0001$ | H'220*3                            | 14                | —                                |                  | — |
|                                     | $\overline{\text{IRL}}(3:0) = 0010$ | H'240*3                            | 13                | —                                |                  | — |
|                                     | $\overline{\text{IRL}}(3:0) = 0011$ | H'260*3                            | 12                | —                                |                  | — |
|                                     | $\overline{\text{IRL}}(3:0) = 0100$ | H'280*3                            | 11                | —                                |                  | — |
|                                     | $\overline{\text{IRL}}(3:0) = 0101$ | H'2A0*3                            | 10                | —                                |                  | — |
|                                     | $\overline{\text{IRL}}(3:0) = 0110$ | H'2C0*3                            | 9                 | —                                |                  | — |
|                                     | $\overline{\text{IRL}}(3:0) = 0111$ | H'2E0*3                            | 8                 | —                                |                  | — |
|                                     | $\overline{\text{IRL}}(3:0) = 1000$ | H'300*3                            | 7                 | —                                |                  | — |
|                                     | $\overline{\text{IRL}}(3:0) = 1001$ | H'320*3                            | 6                 | —                                |                  | — |
|                                     | $\overline{\text{IRL}}(3:0) = 1010$ | H'340*3                            | 5                 | —                                |                  | — |
|                                     | $\overline{\text{IRL}}(3:0) = 1011$ | H'360*3                            | 4                 | —                                |                  | — |
|                                     | $\overline{\text{IRL}}(3:0) = 1100$ | H'380*3                            | 3                 | —                                |                  | — |
|                                     | $\overline{\text{IRL}}(3:0) = 1101$ | H'3A0*3                            | 2                 | —                                |                  | — |
| $\overline{\text{IRL}}(3:0) = 1110$ | H'3C0*3                             | 1                                  | —                 | —                                |                  |   |
| IRQ                                 | IRQ4                                | H'680*3                            | 0 to 15 (0)       | IPRD (3 to 0)                    | —                |   |
|                                     | IRQ5                                | H'6A0*3                            | 0 to 15 (0)       | IPRD (7 to 4)                    | —                |   |
| PINT                                | PINT0 to PINT 7                     | H'700*3                            | 0 to 15 (0)       | IPRD (15 to 12)                  | —                |   |
|                                     | PINT8 to PINT 15                    | H'720*3                            | 0 to 15 (0)       | IPRD (11 to 8)                   | —                |   |
| DMAC                                | DEI0                                | H'800*3                            | 0 to 15 (0)       | IPRE (15 to 12)                  | High             |   |
|                                     | DEI1                                | H'820*3                            |                   |                                  | ↑                |   |
|                                     | DEI2                                | H'840*3                            |                   |                                  | ↓                |   |
|                                     | DEI3                                | H'860*3                            |                   |                                  | Low              |   |
| SCIF0                               | ERI0                                | H'880*3                            | 0 to 15 (0)       | IPRE (11 to 8)                   | High             |   |
|                                     | RXI0                                | H'8A0*3                            |                   |                                  | ↑                |   |
|                                     | TXI0                                | H'8E0*3                            |                   |                                  | ↓                |   |
|                                     |                                     |                                    |                   |                                  | Low              |   |

| Interrupt Source |        | Interrupt Code*1 | Interrupt Priority (Initial Value) | IPR (Bit Numbers) | Priority within IPR Setting Unit | Default Priority |  |
|------------------|--------|------------------|------------------------------------|-------------------|----------------------------------|------------------|--|
| SCIF2            | ERI2   | H'900*3          | 0 to 15 (0)                        | IPRE (7 to 4)     | High                             | High             |  |
|                  | RXI2   | H'920*3          |                                    |                   | ↑                                |                  |  |
|                  | TXI2   | H'960*3          |                                    |                   | ↓                                |                  |  |
| ADC              | ADI    | H'980*3          | 0 to 15 (0)                        | IPRE (3 to 0)     | —                                |                  |  |
| USB              | USI0   | H'A20*3          | 0 to 15 (0)                        | IPRF (7 to 4)     | High                             |                  |  |
|                  | USI1   | H'A40*3          |                                    |                   | Low                              |                  |  |
| TPU0             | TPI0   | H'C00*3          | 0 to 15 (0)                        | IPRG (15 to 12)   | —                                |                  |  |
| TPU1             | TPI1   | H'C20*3          | 0 to 15 (0)                        | IPRG (11 to 8)    | —                                |                  |  |
| TPU2             | TPI2   | H'C80*3          | 0 to 15 (0)                        | IPRH (15 to 12)   | —                                |                  |  |
| TPU3             | TPI3   | H'CA0*3          | 0 to 15 (0)                        | IPRH (11 to 8)    | —                                |                  |  |
| TMU0             | TUNI0  | H'400*2          | 0 to 15 (0)                        | IPRA (15 to 12)   | —                                |                  |  |
| TMU1             | TUNI1  | H'420*2          | 0 to 15 (0)                        | IPRA (11 to 8)    | —                                |                  |  |
| TMU2             | TUNI2  | H'440*2          | 0 to 15 (0)                        | IPRA (7 to 4)     | High                             |                  |  |
|                  | TICPI2 | H'460*2          |                                    |                   | Low                              |                  |  |
| RTC              | ATI    | H'480*2          | 0 to 15 (0)                        | IPRA (3 to 0)     | High                             |                  |  |
|                  | PRI    | H'4A0*2          |                                    |                   | ↑                                |                  |  |
|                  | CUI    | H'4C0*2          |                                    |                   | ↓                                |                  |  |
| WDT              | ITI    | H'560*2          | 0 to 15 (0)                        | IPRB (15 to 12)   | —                                |                  |  |
| REF              | RCMI   | H'580*2          | 0 to 15 (0)                        | IPRB (11 to 8)    | —                                | Low              |  |

- Notes: 1. The INTEVT2 code.  
2. The same code as INTEVT2 is set in INTEVT.  
3. The code indicating an interrupt level (H'200 to H'3C0 shown in table 6.6) is set in INTEVT.

**Table 6.6 Interrupt Level and INTEVT Code**

| <b>Interrupt level</b> | <b>INTEVT Code</b> |
|------------------------|--------------------|
| 15                     | H'200              |
| 14                     | H'220              |
| 13                     | H'240              |
| 12                     | H'260              |
| 11                     | H'280              |
| 10                     | H'2A0              |
| 9                      | H'2C0              |
| 8                      | H'2E0              |
| 7                      | H'300              |
| 6                      | H'320              |
| 5                      | H'340              |
| 4                      | H'360              |
| 3                      | H'380              |
| 2                      | H'3A0              |
| 1                      | H'3C0              |

## 6.5 Operation

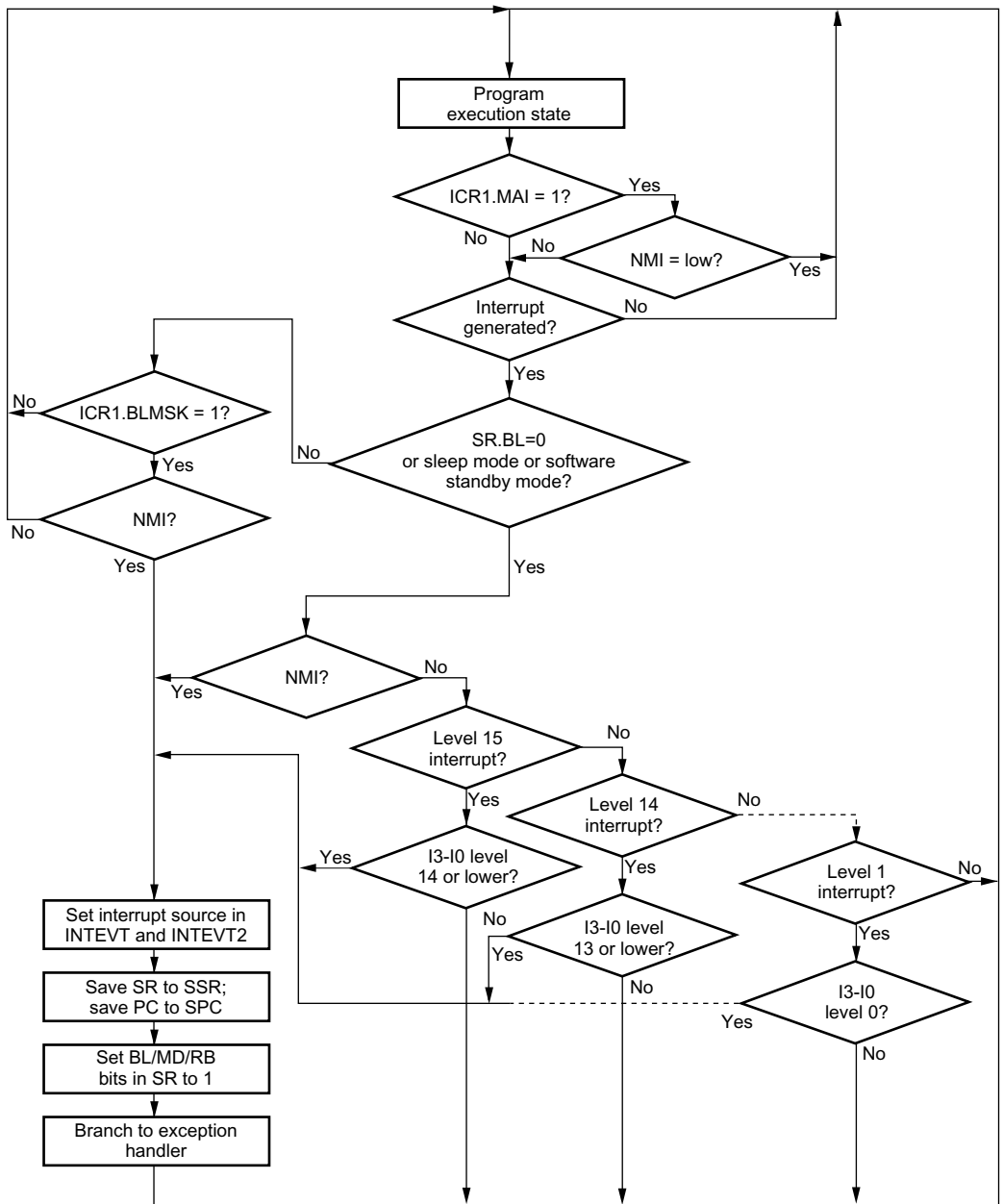
### 6.5.1 Interrupt Sequence

The sequence of interrupt operations is described below. Figure 6.3 is a flowchart of the operations.

1. The interrupt request sources send interrupt request signals to the interrupt controller.
2. The interrupt controller selects the highest-priority interrupt from the interrupt requests sent, following the priority levels set in the interrupt priority level setting registers A to H (IPRA to IPRH). Lower priority interrupts are held pending. If two of these interrupts have the same priority level or if multiple interrupts occur within a single module, the interrupt with the highest priority is selected, according to tables 6.4 and 6.5.
3. The priority level of the interrupt selected by the interrupt controller is compared with the interrupt mask bits (I3 to I0) in the status register (SR) of the CPU. If the request priority level is higher than the level in bits I3 to I0, the interrupt controller accepts the interrupt and sends an interrupt request signal to the CPU.
4. Detection timing: The INTC operates, and notifies the CPU of interrupt requests, in synchronization with the peripheral clock (P $\phi$ ). The CPU receives an interrupt at a break in instructions.

5. The interrupt source code is set in the interrupt event registers (INTEVT and INTEVT2).
6. The status register (SR) and program counter (PC) are saved to SSR and SPC, respectively.
7. The block bit (BL), mode bit (MD), and register bank bit (RB) in SR are set to 1.
8. The CPU jumps to the start address of the interrupt handler (the sum of the value set in the vector base register (VBR) and H'00000600). This jump is not a delayed branch. The interrupt handler may branch with INTEVT or INTEVT2 value as its offset in order to identify the interrupt source. This enables it to branch to the handling routine for the individual interrupt source.

- Notes:
1. The interrupt mask bits (I3 to I0) in the status register (SR) are not changed by acceptance of an interrupt in this LSI.
  2. The interrupt source flag should be cleared in the interrupt handler. To ensure that an interrupt request that should have been cleared is not inadvertently accepted again, read the interrupt source flag after it has been cleared, and then execute an RTE instruction.



I3-I0: Interrupt mask bits in status register (SR)

Figure 6.3 Interrupt Operation Flowchart



## 6.5.2 Multiple Interrupts

When handling multiple interrupts, an interrupt handler should include the following procedures:

1. Branch to a specific interrupt handler corresponding to a code set in INTEVT or INTEVT2. The code in INTEVT or INTEVT2 can be used as an offset for branching to the specific handler.
2. Clear the interrupt source in each specific handler.
3. Save SSR and SPC to memory.
4. Clear the BL bit in SR, and set the accepted interrupt level in the interrupt mask bits in SR.
5. Handle the interrupt.
6. Execute the RTE instruction.

When these procedures are followed in order, an interrupt of higher priority than the one being handled can be accepted after clearing BL in step 4. Figure 6.3 shows a sample interrupt operation flowchart.

## 6.6 Usage Note

The interrupt accept timing in this LSI is not acknowledged externally. Thus, keep the following note in mind when designing the system.

- Level interrupt

The level interrupt request should be held until the CPU accepts it. The level interrupt request needs to be cleared (released) within the specific interrupt handler. If the level interrupt request is not held, the operation may branch to the interrupt handling routine when the value in INTEVT/2 becomes H'000.

When the standby state is cancelled, if the level interrupt request is not held, the operation will go back to the standby state again in the middle of WDT counting. When canceling the standby state again in such a condition by asserting the level interrupt request, the settling time for the PLL or crystal oscillator is not secured enough and the operation may not recover from the standby state correctly.

- Interrupt flag update

When an interrupt is acceptable and the generation of an interrupt request is enabled, updating or clearing the interrupt flag may branch the operation to the interrupt handling routine when the value in INTEVT2 becomes H'000.



# Section 7 Bus State Controller (BSC)

## 7.1 Overview

The bus state controller (BSC) outputs control signals for various types of memory that is connected to the external address space and external devices. BSC functions enable this LSI to connect directly with SRAM, SDRAM, and other memory storage devices, and external devices.

### 7.1.1 Features

The BSC has the following features:

- Physical address space is divided into eight areas
  - A maximum 32 or 64 Mbytes for each of the eight areas, CS0, CS2 to CS4, CS5A, CS5B, CS6A and CS6B, totally 384 Mbytes.
  - Can specify the normal space interface, byte-selection SRAM interface, burst ROM, address/data multiplex I/O (MPX), or SDRAM for each address space.
  - Can select the data bus width (8, 16, or 32 bits) for each address space.
  - Controls the insertion of the wait state for each address space.
  - Controls the insertion of the wait state for each read access and write access.
  - Can set the independent idling cycle in the continuous access for five cases: read-write (in same space/different space), read-read (in same space/different space), the first cycle is a write access.
- Normal space interface
  - Supports the interface that can directly connect to the SRAM.
- Burst ROM interface
  - High-speed access to the ROM, such as flash memory, that has the page mode function.
- Address/data multiplex I/O (MPX) interface
  - Can directly connect to a peripheral LSI that needs an address/data multiplexing.
- SDRAM interface
  - Can set the SDRAM up to 2 areas.
  - Multiplex output for row address/column address.
  - Efficient access by single read/single write.
  - High-speed access by the bank-active mode.
  - Supports an auto-refresh and self-refresh.

- Bus arbitration
  - Shares all of the resources with other CPU and outputs the bus enable after receiving the bus request from external devices.

### 7.1.2 Block Diagram

BSC functional block diagram is shown in figure 7.1.

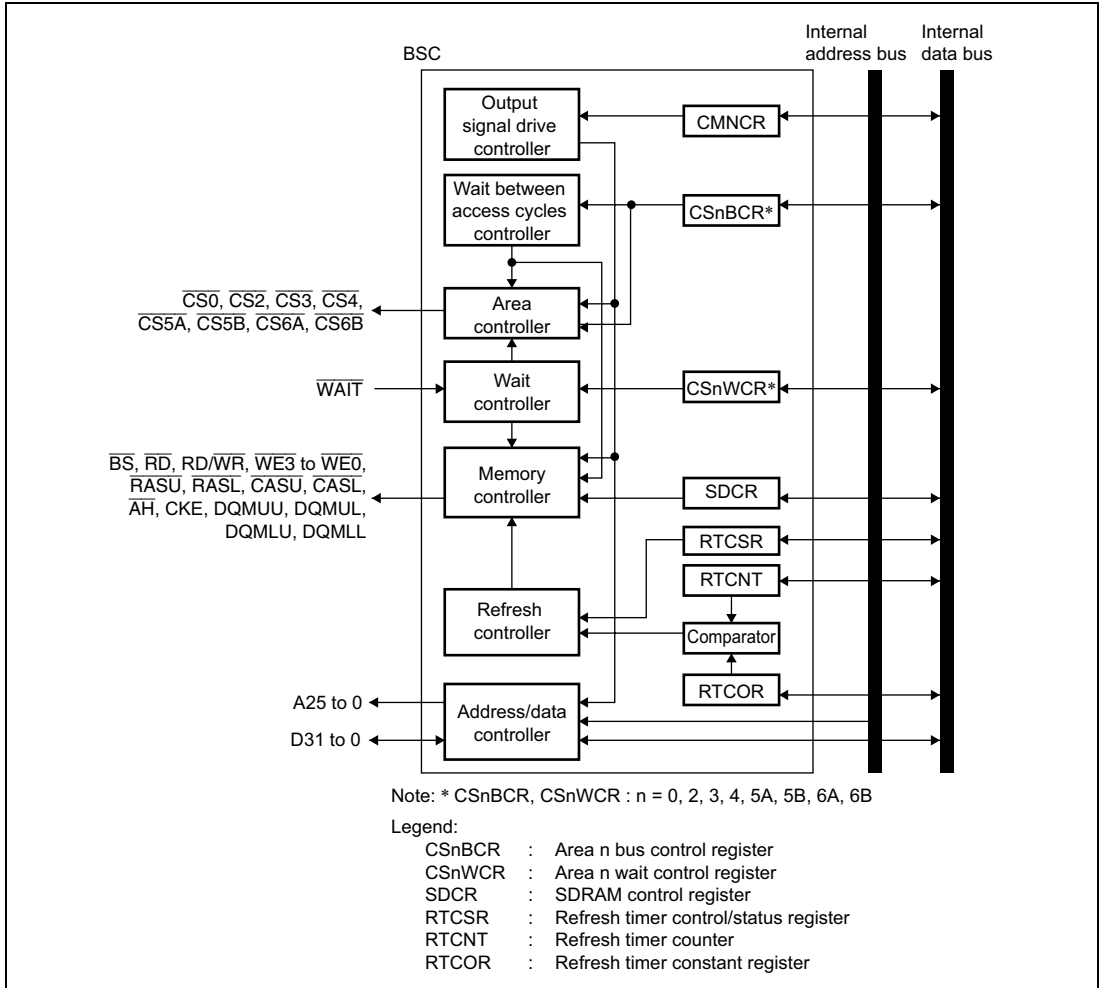


Figure 7.1 BSC Functional Block Diagram

## 7.2 Pin Configuration

**Table 7.1 Pin Configuration**

| Name  | I/O | Function   |
|---|-----|--|
| A25 to A0   | O   | Address bus  |
| D31 to D0   | I/O | Data bus   |
| $\overline{BS}$   | O   | Bus cycle start<br>Asserted when a normal space, byte-selection SRAM, burst ROM, or address/data multiplex I/O is accessed. Asserted by the same timing as $\overline{CAS}$ in SDRAM access.                                   |
| $\overline{CS0}$ , $\overline{CS2}$ to $\overline{CS4}$ ,<br>$\overline{CS5A}$ , $\overline{CS5B}$ , $\overline{CS6A}$ ,<br>$\overline{CS6B}$ | O   | Chip select  |
| $\overline{RD}/\overline{WR}$   | O   | Read/write<br>Connects to $\overline{WE}$ pins when SDRAM or byte-selection SRAM is connected.   |
| $\overline{RD}$   | O   | Read   |
| $\overline{WE3}$ ,<br>DQMUU   | O   | Indicates that D31 to D24 are being written to when a normal space is set.<br>Selects D31 to D24 when a byte-selection SRAM space is set.<br>Selects D31 to D24 when an SDRAM space is set.                                    |
| $\overline{WE2}$ ,<br>DQMUL   | O   | Indicates that D23 to D16 are being written to when a normal space is set.<br>Selects D23 to D16 when a byte-selection SRAM space is set.<br>Selects D23 to D16 when an SDRAM space is set.                                    |
| $\overline{WE1}$ ,<br>DQMLU   | O   | Indicates that D15 to D8 are being written to when a normal space and address/data multiplex I/O space are set.<br>Selects D15 to D8 when a byte-selection SRAM space is set.<br>Selects D15 to D8 when an SDRAM space is set. |
| $\overline{WE0}$ ,<br>DQMLL   | O   | Indicates that D7 to D0 are being written to when a normal space and address/data multiplex I/O space are set.<br>Selects D7 to D0 when a byte-selection SRAM space is set.<br>Selects D7 to D0 when an SDRAM space is set.    |
| $\overline{RASU}$<br>$\overline{RASL}$  | O   | Connects to $\overline{RAS}$ pin when SDRAM is connected.  |
| $\overline{CASU}$<br>$\overline{CASL}$  | O   | Connects to $\overline{CAS}$ pin when SDRAM is connected.  |

| Name     | I/O | Function  |
|----------|-----|---|
| CKE      | O   | Connects to CKE pin when SDRAM is connected.          |
| AH       | O   | Holds the address in address/data multiplex I/O mode. |
| WAIT     | I   | External wait input                                   |
| BREQ     | I   | Bus request input                                     |
| BACK     | O   | Bus acknowledge output                                |
| MD3, MD4 | I   | Area 0 bus width (8/16/32 bits)                       |
| MD5      | I   | Specifies endian<br>0: Big endian<br>1: Little endian |

### 7.3 Area Overview

In the architecture of this LSI, both logical spaces and physical spaces have 32-bit address spaces. The cache access method is shown by the upper 3 bits. For details see section 4, Cache. The remaining 29 bits are used for division of the space into eight areas. The BSC performs control for this 29-bit space.

As listed in table 7.2, this LSI can be connected directly to eight areas of memory, and it outputs chip select signals ( $\overline{CS0}$ ,  $\overline{CS2}$  to  $\overline{CS4}$ ,  $\overline{CS5A}$ ,  $\overline{CS5B}$ ,  $\overline{CS6A}$ , and  $\overline{CS6B}$ ) for each of them.  $\overline{CS0}$  is asserted during area 0 access;  $\overline{CS5B}$  is asserted during area 5B access. When an SDRAM is connected to area 2 or area 3,  $\overline{RASU}$ ,  $\overline{RASL}$ ,  $\overline{CASU}$ ,  $\overline{CASL}$ ,  $\overline{DQMUU}$ ,  $\overline{DQMUL}$ ,  $\overline{DQMLU}$ , and  $\overline{DQMLL}$  are asserted.

#### 7.3.1 Address Map

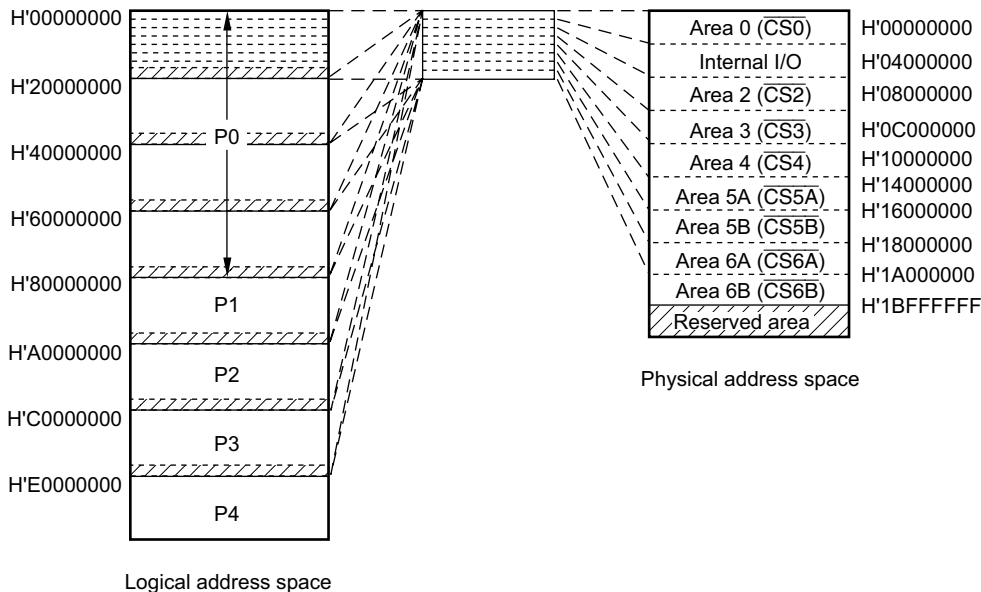
The external address space has a capacity of 384 Mbytes and is used by dividing 8 partial spaces. The kind of memory to be connected and the data bus width are specified in each partial space. The address map for the external address space is listed below.

**Table 7.2 Physical Address Space Map**

| Area   | Memory to be Connected                     | Physical Address               | Capacity  | Access Size             |
|--------|--|--------------------------------|-----------|-------------------------|
| Area 0 | Normal memory* <sup>1</sup> ,<br>Burst ROM | H'00000000 to H'03FFFFFF       | 64 Mbytes | 8, 16, 32* <sup>2</sup> |
|        |  | H'00000000 to H'03FFFFFF       | Shadow    | (n: 1 to 6)             |
|        |  | +H'20000000×n to +H'20000000×n |           |                         |

| Area                 | Memory to be Connected  | Physical Address            | Capacity                       | Access Size |                             |
|----------------------|---|-----------------------------|--------------------------------|-------------|-----------------------------|
| Area 1               | Internal I/O register <sup>*7</sup>   | H'04000000                  | to H'07FFFFFF                  |             |                             |
|                      |   | H'04000000<br>+H'20000000×n | to H'07FFFFFF<br>+H'20000000×n | (n:1 to 6)  |                             |
| Area 2               | Normal memory <sup>*1</sup> ,<br>Synchronous DRAM   | H'08000000                  | to H'0BFFFFFF                  | 64 Mbytes   | 8, 16, 32 <sup>*3, *5</sup> |
|                      |   | H'08000000<br>+H'20000000×n | to H'0BFFFFFF<br>+H'20000000×n | Shadow      | (n:1 to 6)                  |
| Area 3               | Normal memory <sup>*1</sup> ,<br>Synchronous DRAM   | H'0C000000                  | to H'0FFFFFFF                  | 64 Mbytes   | 8, 16, 32 <sup>*3, *5</sup> |
|                      |   | H'0C000000<br>+H'20000000×n | to H'0FFFFFFF<br>+H'20000000×n | Shadow      | (n: 1 to 6)                 |
| Area 4               | Normal memory <sup>*1</sup> ,<br>Burst ROM,<br>Byte-selection SRAM                            | H'10000000                  | to H'13FFFFFF                  | 64 Mbytes   | 8, 16, 32 <sup>*3</sup>     |
|                      |   | H'10000000<br>+H'20000000×n | to H'13FFFFFF<br>+H'20000000×n | Shadow      | (n: 1 to 6)                 |
| Area 5A              | Normal memory <sup>*1</sup>   | H'14000000                  | to H'15FFFFFF                  | 32 Mbytes   | 8, 16, 32 <sup>*3</sup>     |
|                      |   | H'14000000<br>+H'20000000×n | to H'15FFFFFF<br>+H'20000000×n | Shadow      | (n: 1 to 6)                 |
| Area 5B              | Normal memory <sup>*1</sup> ,<br>Address/data multiplex<br>I/O (MPX), Byte-<br>selection SRAM | H'16000000                  | to H'17FFFFFF                  | 32 Mbytes   | 8, 16 <sup>*3, *4</sup>     |
|                      |   | H'16000000<br>+H'20000000×n | to H'17FFFFFF<br>+H'20000000×n | Shadow      | (n: 1 to 6)                 |
| Area 6A              | Normal memory <sup>*1</sup>   | H'18000000                  | to H'19FFFFFF                  | 32 Mbytes   | 8, 16 <sup>*3</sup>         |
|                      |   | H'18000000<br>+H'20000000×n | to H'19FFFFFF<br>+H'20000000×n | Shadow      | (n: 1 to 6)                 |
| Area 6B              | Normal memory <sup>*1</sup>   | H'1A000000                  | to H'1BFFFFFF                  | 32 Mbytes   | 8, 16 <sup>*3</sup>         |
|                      |   | H'1A000000<br>+H'20000000×n | to H'1BFFFFFF<br>+H'20000000×n | Shadow      | (n: 1 to 6)                 |
| Area 7 <sup>*6</sup> | Reserved area   | H'1C000000<br>+H'20000000×n | to H'1FFFFFFF<br>+H'20000000×n |             | (n: 0 to 7)                 |

- Notes:
1. Memory that has an interface such as SRAM or ROM.
  2. Memory bus width is specified by an external pin.
  3. Memory bus width is specified by a register.
  4. With the address/data multiplex I/O (MPX) interface, the bus width must be 16 bits.
  5. With the SDRAM, the bus width must be 16 bits or 32 bits.
  6. Do not access the reserved area. If the reserved area is accessed, the operation cannot be guaranteed.
  7. When the addresses of the on-chip module control registers (internal I/O registers) in area 1 are not translated by the MMU, set the top three bits of the logical addresses to 101 to allocate in the P2 space.



Note: For logical address spaces P0 and P3, when the memory management unit (MMU) is on, it can optionally generate a physical address for the logical address. This figure can be applied when MMU is off and when the MMU is on and each physical address for the logical address is equal except for higher three bits. When translating a logical address to a physical address, refer to table 7.2.

**Figure 7.2 Address Space**

### 7.3.2 Memory Bus Width

The memory bus width in this LSI can be set for each area. In area 0, external pins can be used to select byte (8 bits), word (16 bits), or longword (32 bits) on power-on reset. The correspondence between the external pins (MD3, MD4) and memory size is listed in the table below.

**Table 7.3 Correspondence between External Pins (MD3 and MD4) and Memory Size**

| MD4 | MD3 | Memory Size        |
|-----|-----|--------------------|
| 0   | 0   | Setting prohibited |
|     | 1   | 8 bits             |
| 1   | 0   | 16 bits            |
|     | 1   | 32 bits            |

For areas other than area 0, byte, word, and longword may be chosen for the bus width using CSnBCR that can be set in each area. The bus width that can be set differs according to a connected interface. For more details, see the CSn Bus Control Register.



When port A or B is used, set the bus width of all areas to 8-bit or 16-bit.

For details see section 7.4.2, CSn Space Bus Control Register (CSnBCR).

### 7.3.3 Shadow Space

Areas 0, 2 to 4, 5A, 5B, 6A, and 6B are decoded by physical addresses A28 to A26, which correspond to areas 000 to 110. Address bits 31 to 29 are ignored. This means that the range of area 0 addresses, for example, is H'00000000 to H'03FFFFFF, and its corresponding shadow space is the address space obtained by adding to it  $H'20000000 \times n$  ( $n = 1$  to 6) in areas P1 to P3.

The address range for area 7 is H'1C000000 to H'1FFFFFFF. The address space  $H'1C000000 + H'20000000 \times n$  to  $H'1FFFFFFF + H'20000000 \times n$  ( $n = 0$  to 7) corresponding to the area 7 shadow space is reserved, so do not use it.

Area P4 (H'E0000000 to H'FFFFFFF) is the I/O area where on-chip registers are allocated. This area has no shadow space.

## 7.4 Register Descriptions

The BSC has the following registers. Refer to section 24, List of Registers for the details of the addresses of these registers and the state of registers in each operating mode.

Do not access spaces other than CS0 until the termination of the setting the memory interface.

- Common control register (CMNCR)
- Bus control register for CS0 space (CS0BCR)
- Bus control register for CS2 space (CS2BCR)
- Bus control register for CS3 space (CS3BCR)
- Bus control register for CS4 space (CS4BCR)
- Bus control register for CS5A space (CS5ABCR)
- Bus control register for CS5B space (CS5BBCR)
- Bus control register for CS6A space (CS6ABCR)
- Bus control register for CS6B space (CS6BBCR)
- Wait control register for CS0 space (CS0WCR)
- Wait control register for CS2 space (CS2WCR)
- Wait control register for CS3 space (CS3WCR)
- Wait control register for CS4 space (CS4WCR)
- Wait control register for CS5A space (CS5AWCR)
- Wait control register for CS5B space (CS5BWCR)
- Wait control register for CS6A space (CS6AWCR)

- Wait control register for CS6B space (CS6BWCRCR)
- SDRAM control register (SDCR)
- Refresh timer control/status register (RTCSR)\*<sup>1</sup>
- Refresh timer counter (RTCNT)\*<sup>1</sup>
- Refresh time constant register (RTCOR)\*<sup>1</sup>
- SDRAM mode register for CS2 space (SDMR2)\*<sup>2</sup>
- SDRAM mode register for CS3 space (SDMR3)\*<sup>2</sup>

- Notes:
1. This register only accepts 32-bit writing to prevent incorrect writing. In this case, the upper 16 bits of the data must be H'A55A, otherwise writing cannot be performed. When reading, the upper 16 bits are read as H'0000.
  2. The contents of this register are stored in SDRAM. When this register space is accessed, the corresponding register in SDRAM is written to. For details, refer to section 7.8.10, Power-On Sequence.

#### 7.4.1 Common Control Register (CMNCR)

CMNCR is a 32-bit register that controls the common items for each area. Do not access external memory other than area 0 until the CMNCR register initialization is complete.

| Bit     | Bit Name | Initial Value | R/W | Description   |
|---------|----------|---------------|-----|---|
| 31 to 8 | —        | 0             | R   | Reserved<br>These bits are always read as 0. The write value should always be 0.  |
| 7       | DMAIW1   | 0             | R/W | Wait states between access cycles when DMA single address transfer is performed.<br>Specify the number of idle cycles to be inserted after an access to an external device with DACK when DMA single address transfer is performed. The method of inserting idle cycles depends on the contents of DMAIWA.<br>00: No idle cycle inserted<br>01: 1 idle cycle inserted<br>10: 2 idle cycles inserted<br>11: 4 idle cycled inserted |
| 6       | DMAIW0   | 0             | R/W |   |

| Bit | Bit Name | Initial Value | R/W | Description   |
|-----|----------|---------------|-----|---|
| 5   | DMAIWA   | 0             | R/W | <p>Method of inserting wait states between access cycles when DMA single address transfer is performed.</p> <p>Specifies the method of inserting the idle cycles specified by the DMAIW1 and DMAIW0 bits. Clearing this bit will make this LSI insert the idle cycles when another device, which includes this LSI, drives the data bus after an external device with DACK drove it. Setting this bit will make this LSI insert the idle cycles even when the continuous accesses to an external device with DACK are performed.</p>                                    |
| 4   | —        | 1             | R   | <p>Reserved</p> <p>This bit is always read as 1. The write value should always be 1.</p>  |
| 3   | ENDIAN   | 0/1*          | R   | <p>Endian Flag</p> <p>Samples the external pin for specifying endian on power-on reset (MD5). All address spaces are defined by this bit. This is a read-only bit.</p> <p>0: The external pin for specifying endian (MD5) was low level on power-on reset. This LSI is being operated as big endian.</p> <p>1: The external pin for specifying endian (MD5) was high level on power-on reset. This LSI is being operated as little endian.</p>  |
| 2   | —        | 0             | R   | <p>Reserved</p> <p>This bit is always read as 0. The write value should always be 0.</p>  |
| 1   | HIZMEM   | 0             | R/W | <p>High-Z Memory Control</p> <p>Specifies the pin state in software standby mode for A25 to A0, BS, CS, RD/WR, WE, and RD.</p> <p>0: High impedance in software standby mode.</p> <p>1: Driven in software standby mode</p>   |
| 0   | HIZCNT   | 0             | R/W | <p>High-Z Control</p> <p>Specifies the state in software standby mode and bus released for RASU, RASL, CASU, and CASL.</p> <p>0: High impedance in software standby mode and bus released for <math>\overline{\text{RASU}}</math>, <math>\overline{\text{RASL}}</math>, <math>\overline{\text{CASU}}</math>, and <math>\overline{\text{CASL}}</math>.</p> <p>1: Driven in standby mode and bus released for <math>\overline{\text{RASU}}</math>, <math>\overline{\text{RASL}}</math>, <math>\overline{\text{CASU}}</math>, and <math>\overline{\text{CASL}}</math>.</p> |

Note: \* The external pin for specifying endian (MD5) is sampled on power-on reset. When big endian is specified, this bit is read as 0 and when little endian is specified, this bit is read as 1.

## 7.4.2 CSn Space Bus Control Register (CSnBCR) (n = 0, 2, 3, 4, 5A, 5B, 6A, 6B)

CSnBCR is a 32-bit readable/writable register that specifies the function of each area, the number of idle cycles between bus cycles, and the bus-width.

Do not access external memory other than area 0 until CSnBCR register initialization is completed.

| Bit    | Bit Name | Initial Value | R/W | Description   |
|--------|----------|---------------|-----|---|
| 31, 30 | —        | 0             | R   | Reserved<br>These bits are always read as 0. The write value should always be 0.  |
| 29     | IWW1     | 1             | R/W | Idle Cycles between Write-read Cycles and Write-write Cycles  |
| 28     | IWW0     | 1             | R/W | These bits specify the number of idle cycles to be inserted after the access to a memory that is connected to the space. The target access cycles are the write-read cycle and write-write cycle.<br>00: No idle cycle inserted<br>01: 1 idle cycle inserted<br>10: 2 idle cycles inserted<br>11: 4 idle cycles inserted                    |
| 27     | —        | 0             | R   | Reserved<br>This bit is always read as 0. The write value should always be 0.   |
| 26     | IWRWD1   | 1             | R/W | Idle Cycles for Another Space Read-write  |
| 25     | IWRWD2   | 1             | R/W | Specify the number of idle cycles to be inserted after the access to a memory that is connected to the space. The target access cycle is a read-write one in which continuous accesses switch between different spaces.<br>00: Setting prohibited<br>01: 2 idle cycles inserted<br>10: 3 idle cycles inserted<br>11: 5 idle cycles inserted |

| Bit | Bit Name | Initial Value | R/W | Description   |
|-----|----------|---------------|-----|---|
| 24  | —        | 0             | R   | Reserved<br>This bit is always read as 0. The write value should always be 0.   |
| 23  | IWRWS1   | 1             | R/W | Idle Cycles for Read-write in the Same Space  |
| 22  | IWRWS0   | 1             | R/W | Specify the number of idle cycles to be inserted after the access to a memory that is connected to the space. The target cycle is a read-write cycle of which continuous accesses are for the same space.<br>00: Setting prohibited.<br>01: 2 idle cycles inserted<br>10: 3 idle cycles inserted<br>11: 5 idle cycles inserted          |
| 21  | —        | 0             | R   | Reserved<br>This bit is always read as 0. The write value should always be 0.   |
| 20  | IWRRD1   | 1             | R/W | Idle Cycles for Read-read in Another Space  |
| 19  | IWRRD0   | 1             | R/W | Specify the number of idle cycles to be inserted after the access to a memory that is connected to the space. The target cycle is a read-read cycle of which continuous accesses switch between different space.<br>00: 1 idle cycle inserted<br>01: 2 idle cycles inserted<br>10: 3 idle cycles inserted<br>11: 5 idle cycles inserted |
| 18  | —        | 0             | R   | Reserved<br>This bit is always read as 0. The write value should always be 0.   |
| 17  | IWRRS1   | 1             | R/W | Idle Cycles for Read-read in the Same Space   |
| 16  | IWRRS0   | 1             | R/W | Specify the number of idle cycles to be inserted after the access to a memory that is connected to the space. The target cycle is a read-read cycle of which continuous accesses are for the same space.<br>00: No idle cycle inserted<br>01: 1 idle cycle inserted<br>10: 2 idle cycles inserted<br>11: 4 idle cycles inserted         |

| Bit | Bit Name | Initial Value | R/W | Description   |
|-----|----------|---------------|-----|---|
| 15  | —        | 0             | R   | Reserved<br>This bit is always read as 0. The write value should always be 0.   |
| 14  | TYPE2    | 0             | R/W | Memory Type   |
| 13  | TYPE1    | 0             | R/W | Specify the type of memory connected to a space.  |
| 12  | TYPE0    | 0             | R/W | 000: Normal space<br>001: Burst ROM<br>010: Address/data multiplex I/O (MPX)<br>011: Byte-selection SRAM<br>100: SDRAM<br>101: Setting prohibited<br>110: Setting prohibited<br>111: Setting prohibited<br>Note: SDRAM can be specified only in area 2 and area 3. If SDRAM is connected to only one area, SDRAM should be specified for area 3. In this case area 2 should be specified as normal space. Burst ROM can be specified only in area 0 and area 4. Address/data multiplex I/O (MPX) can be specified only in area 5B. Byte-selection SRAM can be specified only in area 4 and area 5B. |
| 11  | —        | 0             | R   | Reserved<br>This bit is always read as 0. The write value should always be 0.   |
| 10  | BSZ1     | 1             | R/W | Data Bus Size   |
| 9   | BSZ0     | 1             | R/W | Specify the data bus sizes of spaces.<br>The data bus sizes of areas 2, 3, 4 and 5A are shown below.<br>00: Setting prohibited.<br>01: 8-bit size<br>10: 16-bit size<br>11: 32-bit size<br>The data bus sizes of areas 5B, 6A, and 6B are shown below.<br>00: Setting prohibited.<br>01: 8-bit size<br>10: 16-bit size<br>11: Setting Prohibited  |

| Bit    | Bit Name | Initial Value | R/W | Description  |
|--------|----------|---------------|-----|--|
| 8 to 0 | —        | 0             | R   | Reserved   |
|        |          |               |     | These bits are always read as 0. The write value should always be 0. |

- Notes:
1. When the CS5B space is specified as address/data multiplex I/O (MPX), specify the bus size to 16 bits.
  2. The data bus size of the CS0 space is specified by an external input pin. The value of BSZ[1:0] bits in CS0BCR are invalid.
  3. When both the CS2 and CS3 spaces are specified as the SDRAM space, specify the same bus size for the CS2 and CS3 spaces.
  4. When the CS2 or CS3 space is specified as the SDRAM space, specify the bus width to 16 bits or 32 bits.
  5. The SDRAM bank active mode can only be used for the CS3 space. (Refer to the explanation of the BACTV bit in the SDRAM control register.)
  6. The initial values of the bus size assignment for areas 5B, 6A, and 6B after power-on reset is specified to prohibited setting. Therefore, specify the 8- or 16-bit size before accessing these areas.
  7. When port A or B is used, specify the bus size of all areas to 8 bits or 16 bits.

When the memory type is specified to an area other than the areas that can be specified, the operation of this LSI is not guaranteed.

### 7.4.3 CSn Space Wait Control Register (CSnWCR) (n = 0, 2, 3, 4, 5A, 5B, 6A, 6B)

CSnWCR is a 32-bit readable/writable register that specifies various wait cycles for memory accesses. The bit configuration of this register varies as shown below according to the memory type (TYPE 2, TYPE 1, or TYPE 0) specified by the CSn space bus control register (CSnBCR). Specify the CSnWCR register before accessing the target area. Specify CSnBCR register first, then specify the CSnWCR register.

**CS0WCR, CS6AWCR, CS6BWCR**

| <b>Bit</b> | <b>Bit Name</b> | <b>Initial Value</b> | <b>R/W</b> | <b>Description</b>  |
|------------|-----------------|----------------------|------------|---|
| 31 to 13   | —               | 0                    | R          | Reserved<br>These bits are always read as 0. The write value should always be 0.  |
| 12         | SW1             | 0                    | R/W        | Number of Delay Cycles from Address, $\overline{CSn}$ Assertion to $\overline{RD}$ , $\overline{WEn}$ Assertion   |
| 11         | SW0             | 0                    | R/W        | Specify the number of delay cycles from address and $\overline{CSn}$ assertion to $\overline{RD}$ and $\overline{WEn}$ assertion.<br>00: 0.5 cycles<br>01: 1.5 cycles<br>10: 2.5 cycles<br>11: 3.5 cycles   |
| 10         | WR3             | 1                    | R/W        | Number of Access Wait Cycles  |
| 9          | WR2             | 0                    | R/W        | Specify the number of cycles that are necessary for read/write access.  |
| 8          | WR1             | 1                    | R/W        |   |
| 7          | WR0             | 0                    | R/W        | 0000: 0 cycle<br>0001: 1 cycle<br>0010: 2 cycles<br>0011: 3 cycles<br>0100: 4 cycles<br>0101: 5 cycles<br>0110: 6 cycles<br>0111: 8 cycles<br>1000: 10 cycles<br>1001: 12 cycles<br>1010: 14 cycles<br>1011: 18 cycles<br>1100: 24 cycles<br>1101: Setting prohibited<br>1110: Setting prohibited<br>1111: Setting prohibited |



| Bit    | Bit Name | Initial Value | R/W | Description   |
|--------|----------|---------------|-----|---|
| 6      | WM       | 0             | R/W | <p>External Wait Mask Specification</p> <p>Specifies whether or not the external wait input is valid. The specification by this bit is valid even when the number of access wait cycle is 0.</p> <p>0: External wait is valid<br/>1: External wait is ignored</p>   |
| 5 to 2 | —        | 0             | R   | <p>Reserved</p> <p>These bits are always read as 0. The write value should always be 0.</p>   |
| 1      | HW1      | 0             | R/W | <p>Delay Cycles from RD, <math>\overline{WEn}</math> negation to Address, <math>\overline{CSn}</math> negation</p> <p>Specify the number of delay cycles from RD and <math>\overline{WEn}</math> negation to address and <math>\overline{CSn}</math> negation.</p> <p>00: 0.5 cycles<br/>01: 1.5 cycles<br/>10: 2.5 cycles<br/>11: 3.5 cycles</p> |
| 0      | HW0      | 0             | R/W |   |

## CS2WCR, CS3WCR

| Bit      | Bit Name | Initial Value | R/W | Description   |
|----------|----------|---------------|-----|---|
| 31 to 11 | —        | 0             | R   | Reserved<br>These bits are always read as 0. The write value should always be 0.  |
| 10       | WR3      | 1             | R/W | Number of Access Wait Cycles  |
| 9        | WR2      | 0             | R/W | Specify the number of cycles that are necessary for read/write access.  |
| 8        | WR1      | 1             | R/W |   |
| 7        | WR0      | 0             | R/W | 0000: 0 cycle<br>0001: 1 cycle<br>0010: 2 cycles<br>0011: 3 cycles<br>0100: 4 cycles<br>0101: 5 cycles<br>0110: 6 cycles<br>0111: 8 cycles<br>1000: 10 cycles<br>1001: 12 cycles<br>1010: 14 cycles<br>1011: 18 cycles<br>1100: 24 cycles<br>1101: Setting prohibited<br>1110: Setting prohibited<br>1111: Setting prohibited |
| 6        | WM       | 0             | R/W | External Wait Mask Specification<br>Specify whether or not the external wait input is valid. The specification by this bit is valid even when the number of access wait cycle is 0.<br>0: External wait is valid<br>1: External wait is ignored   |
| 5 to 0   | —        | 0             | R   | Reserved<br>These bits are always read as 0. The write value should always be 0.  |

## CS4WCR, CS5AWCR

| Bit      | Bit Name | Initial Value | R/W | Description   |
|----------|----------|---------------|-----|---|
| 31 to 19 | —        | 0             | R   | Reserved<br>These bits are always read as 0. The write value should always be 0.  |
| 18       | WW2      | 0             | R/W | Number of Write Access Wait Cycles  |
| 17       | WW1      | 0             | R/W | Specify the number of cycles that are necessary for write access.   |
| 16       | WW0      | 0             | R/W | 000: The same cycles as WR3 to WR0 setting (read access wait)<br>001: 0 cycle<br>010: 1 cycles<br>011: 2 cycles<br>100: 3 cycles<br>101: 4 cycles<br>110: 5 cycles<br>111: 6 cycles                       |
| 15 to 13 | —        | 0             | R   | Reserved<br>These bits are always read as 0. The write value should always be 0.  |
| 12       | SW1      | 0             | R/W | Number of Delay Cycles from Address, $\overline{CSn}$ Assertion to $\overline{RD}$ , $\overline{WEn}$ Assertion   |
| 11       | SW0      | 0             | R/W | Specify the number of delay cycles from address and $\overline{CSn}$ assertion to $\overline{RD}$ and $\overline{WEn}$ assertion.<br>00: 0.5 cycles<br>01: 1.5 cycles<br>10: 2.5 cycles<br>11: 3.5 cycles |

| Bit    | Bit Name | Initial Value | R/W | Description   |
|--------|----------|---------------|-----|---|
| 10     | WR3      | 1             | R/W | Number of Access Wait Cycles  |
| 9      | WR2      | 0             | R/W | Specify the number of cycles that are necessary for read/write access.  |
| 8      | WR1      | 1             | R/W |   |
| 7      | WR0      | 0             | R/W | 0000: 0 cycle<br>0001: 1 cycle<br>0010: 2 cycles<br>0011: 3 cycles<br>0100: 4 cycles<br>0101: 5 cycles<br>0110: 6 cycles<br>0111: 8 cycles<br>1000: 10 cycles<br>1001: 12 cycles<br>1010: 14 cycles<br>1011: 18 cycles<br>1100: 24 cycles<br>1101: Setting prohibited<br>1110: Setting prohibited<br>1111: Setting prohibited |
| 6      | WM       | 0             | R/W | External Wait Mask Specification<br>Specifies whether or not the external wait input is valid. The specification by this bit is valid even when the number of access wait cycle is 0.<br>0: External wait is valid<br>1: External wait is ignored   |
| 5 to 2 | —        | 0             | R   | Reserved<br>These bits are always read as 0. The write value should always be 0.  |
| 1      | HW1      | 0             | R/W | Delay Cycles from RD, $\overline{WEn}$ negation to Address, $\overline{CSn}$ negation   |
| 0      | HW0      | 0             | R/W | Specify the number of delay cycles from RD and $\overline{WEn}$ negation to address and $\overline{CSn}$ negation.<br>00: 0.5 cycles<br>01: 1.5 cycles<br>10: 2.5 cycles<br>11: 3.5 cycles  |

## CS5BWCR

| Bit      | Bit Name | Initial Value | R/W | Description  |
|----------|----------|---------------|-----|--|
| 31 to 21 | —        | 0             | R   | Reserved<br>These bits are always read as 0. The write value should always be 0.   |
| 20       | MPXW     | 0             | R/W | MPX Interface Address Wait<br>Specifies the wait to be inserted between address cycles for address/data multiplex I/O. This specification is valid only when area 5B is specified to address/data multiplex I/O.<br>0: No wait<br>1: 1 cycle wait inserted |
| 19       | —        | 0             | R   | Reserved<br>This bit is always read as 0. The write value should always be 0.  |
| 18       | WW2      | 0             | R/W | Number of Write Access Wait Cycles   |
| 17       | WW1      | 0             | R/W | Specify the number of cycles that are necessary for write access.  |
| 16       | WW0      | 0             | R/W | 000: The same cycles as WR3 to WR0 setting (read access wait)<br>001: 0 cycle<br>010: 1 cycles<br>011: 2 cycles<br>100: 3 cycles<br>101: 4 cycles<br>110: 5 cycles<br>111: 6 cycles  |
| 15 to 13 | —        | 0             | R   | Reserved<br>These bits are always read as 0. The write value should always be 0.   |
| 12       | SW1      | 0             | R/W | Number of Delay Cycles from Address, $\overline{CS}_n$ Assertion to $\overline{RD}$ , $\overline{WEn}$ Assertion   |
| 11       | SW0      | 0             | R/W | Specify the number of delay cycles from address and $\overline{CS}_n$ assertion to $\overline{RD}$ and $\overline{WEn}$ assertion.<br>00: 0.5 cycles<br>01: 1.5 cycles<br>10: 2.5 cycles<br>11: 3.5 cycles   |

| Bit    | Bit Name | Initial Value | R/W | Description   |
|--------|----------|---------------|-----|---|
| 10     | WR3      | 1             | R/W | Number of Access Wait Cycles  |
| 9      | WR2      | 0             | R/W | Specify the number of cycles that are necessary for read/write access.  |
| 8      | WR1      | 1             | R/W |   |
| 7      | WR0      | 0             | R/W | 0000: 0 cycle<br>0001: 1 cycle<br>0010: 2 cycles<br>0011: 3 cycles<br>0100: 4 cycles<br>0101: 5 cycles<br>0110: 6 cycles<br>0111: 8 cycles<br>1000: 10 cycles<br>1001: 12 cycles<br>1010: 14 cycles<br>1011: 18 cycles<br>1100: 24 cycles<br>1101: Setting prohibited<br>1110: Setting prohibited<br>1111: Setting prohibited |
| 6      | WM       | 0             | R/W | External Wait Mask Specification<br>Specify whether or not the external wait input is valid. The specification by this bit is valid even when the number of access wait cycle is 0.<br>0: External wait is valid<br>1: External wait is ignored   |
| 5 to 2 | —        | 0             | R   | Reserved<br>These bits are always read as 0. The write value should always be 0.  |
| 1      | HW1      | 0             | R/W | Delay Cycles from RD, $\overline{WEn}$ negation to Address, $\overline{CSn}$ negation   |
| 0      | HW0      | 0             | R/W | Specify the number of delay cycles from RD and $\overline{WEn}$ negation to address and $\overline{CSn}$ negation.<br>00: 0.5 cycles<br>01: 1.5 cycles<br>10: 2.5 cycles<br>11: 3.5 cycles  |

## 2. Burst ROM

### CS0WCR

| Bit      | Bit Name | Initial Value | R/W | Description   |
|----------|----------|---------------|-----|---|
| 31 to 18 | —        | 0             | R   | Reserved<br>These bits are always read as 0. The write value should always be 0.  |
| 17       | BW1      | 0             | R/W | Number of Burst Wait Cycles   |
| 16       | BW0      | 0             | R/W | Specify the number of wait cycles to be inserted between the second or later access cycles in burst access.<br>00: 0 cycle<br>01: 1 cycle<br>10: 2 cycles<br>11: 3 cycles   |
| 15 to 11 | —        | 0             | R   | Reserved<br>These bits are always read as 0. The write value should always be 0.  |
| 10       | W3       | 1             | R/W | Number of Access Wait Cycles  |
| 9        | W2       | 0             | R/W | Specify the number of wait cycles to be inserted in the first read/write access cycle.  |
| 8        | W1       | 1             | R/W |   |
| 7        | W0       | 0             | R/W | 0000: 0 cycle<br>0001: 1 cycle<br>0010: 2 cycles<br>0011: 3 cycles<br>0100: 4 cycles<br>0101: 5 cycles<br>0110: 6 cycles<br>0111: 8 cycles<br>1000: 10 cycles<br>1001: 12 cycles<br>1010: 14 cycles<br>1011: 18 cycles<br>1100: 24 cycles<br>1101: Setting prohibited<br>1110: Setting prohibited<br>1111: Setting prohibited |

| Bit    | Bit Name | Initial Value | R/W | Description   |
|--------|----------|---------------|-----|---|
| 6      | WM       | 0             | R/W | External Wait Mask Specification<br>Specify whether or not the external wait input is valid. The specification by this bit is valid even when the number of access wait cycle is 0.<br>0: External wait is valid<br>1: External wait is ignored |
| 5 to 0 | —        | 0             | R   | Reserved<br>These bits are always read as 0. The write value should always be 0.  |

## CS4WCR

| Bit      | Bit Name | Initial Value | R/W | Description   |
|----------|----------|---------------|-----|---|
| 31 to 18 | —        | 0             | R   | Reserved<br>These bits are always read as 0. The write value should always be 0.  |
| 17       | BW1      | 0             | R/W | Number of Burst Wait Cycles   |
| 16       | BW0      | 0             | R/W | Specify the number of wait cycles to be inserted between the second or later access cycles in burst access.<br>00: 0 cycle<br>01: 1 cycle<br>10: 2 cycles<br>11: 3 cycles                                 |
| 15 to 13 | —        | 0             | R   | Reserved<br>These bits are always read as 0. The write value should always be 0.  |
| 12       | SW1      | 0             | R/W | Number of Delay Cycles from Address, $\overline{CSn}$ Assertion to $\overline{RD}$ , $\overline{WEn}$ Assertion   |
| 11       | SW0      | 0             | R/W | Specify the number of delay cycles from address and $\overline{CSn}$ assertion to $\overline{RD}$ and $\overline{WEn}$ assertion.<br>00: 0.5 cycles<br>01: 1.5 cycles<br>10: 2.5 cycles<br>11: 3.5 cycles |



| Bit    | Bit Name | Initial Value | R/W | Description   |
|--------|----------|---------------|-----|---|
| 10     | W3       | 1             | R/W | Number of Access Wait Cycles  |
| 9      | W2       | 0             | R/W | Specify the number of wait cycles to be inserted in the first read/write access cycle.  |
| 8      | W1       | 1             | R/W |   |
| 7      | W0       | 0             | R/W | 0000: 0 cycle<br>0001: 1 cycle<br>0010: 2 cycles<br>0011: 3 cycles<br>0100: 4 cycles<br>0101: 5 cycles<br>0110: 6 cycles<br>0111: 8 cycles<br>1000: 10 cycles<br>1001: 12 cycles<br>1010: 14 cycles<br>1011: 18 cycles<br>1100: 24 cycles<br>1101: Setting prohibited<br>1110: Setting prohibited<br>1111: Setting prohibited |
| 6      | WM       | 0             | R/W | External Wait Mask Specification<br>Specifies whether or not the external wait input is valid. The specification by this bit is valid even when the number of access wait cycle is 0.<br>0: External wait is valid<br>1: External wait is ignored   |
| 5 to 2 | —        | 0             | R   | Reserved<br>These bits are always read as 0. The write value should always be 0.  |
| 1      | HW1      | 0             | R/W | Delay Cycles from $\overline{RD}$ , $\overline{WEn}$ negation to Address, $\overline{CSn}$ negation   |
| 0      | HW0      | 0             | R/W | Specify the number of delay cycles from $\overline{RD}$ and $\overline{WEn}$ negation to address and $\overline{CSn}$ negation.<br>00: 0.5 cycles<br>01: 1.5 cycles<br>10: 2.5 cycles<br>11: 3.5 cycles   |

### 3. SDRAM\*

#### CS2WCR

| Bit      | Bit Name | Initial Value | R/W | Description  |
|----------|----------|---------------|-----|--|
| 31 to 11 | —        | 0             | R   | Reserved<br>These bits are always read as 0. The write value should always be 0.   |
| 10       | —        | 1             | R   | Reserved<br>This bit is always read as 1. The write value should always be 1.  |
| 9        | —        | 0             | R   | Reserved<br>This bit is always read as 0. The write value should always be 0.  |
| 8        | A2CL1    | 1             | R/W | CAS Latency for Area 2   |
| 7        | A2CL0    | 0             | R/W | Specify the CAS latency for area 2.<br>00: Setting prohibited.<br>01: 2 cycles<br>10: 3 cycles<br>11: Setting prohibited |
| 6 to 0   | —        | 0             | R   | Reserved<br>These bits are always read as 0. The write value should always be 0.   |

## CS3WCR

| Bit      | Bit Name | Initial Value | R/W | Description   |
|----------|----------|---------------|-----|---|
| 31 to 15 | —        | 0             | R   | Reserved<br>These bits are always read as 0. The write value should always be 0.  |
| 14       | TRP1     | 0             | R/W | Number of Cycles from Auto-precharge/PRE Command to ACTV Command<br>Specify the number of minimum cycles from the start of auto-precharge or issuing of PRE command to the issuing of ACTV command for the same bank. The setting for areas 2 and 3 is common.<br>00: 1 cycle<br>01: 2 cycles<br>10: 3 cycles<br>11: 4 cycles |
| 13       | TRP0     | 0             | R/W |   |
| 12       | —        | 0             | R   | Reserved<br>This bit is always read as 0. The write value should always be 0.   |
| 11       | TRCD1    | 0             | R/W | Number of Cycles from ACTV Command to READ(A)/WRIT(A) Command<br>Specify the number of minimum cycles from issuing ACTV command to issuing READ(A)/WRIT(A) command. The setting for areas 2 and 3 is common.<br>00: 1 cycle<br>01: 2 cycles<br>10: 3 cycles<br>11: 4 cycles   |
| 10       | TRCD0    | 1             | R/W |   |
| 9        | —        | 0             | R   | Reserved<br>This bit is always read as 0. The write value should always be 0.   |
| 8        | A3CL1    | 1             | R/W | CAS Latency for Area 3  |
| 7        | A3CL0    | 0             | R/W | Specify the CAS latency for area 3.<br>00: Setting prohibited.<br>01: 2 cycles<br>10: 3 cycles<br>11: Setting prohibited  |

| Bit  | Bit Name | Initial Value | R/W | Description   |
|------|----------|---------------|-----|---|
| 6, 5 | —        | 0             | R   | Reserved<br>These bits are always read as 0. The write value should always be 0.  |
| 4    | TRWL1    | 0             | R/W | Number of Cycles from WRITA/WRIT Command to Auto-precharge/PRE Command<br>Specifies the number of cycles from issuing WRITA/WRIT command to the start of auto-precharge or to issuing PRE command. The setting for areas 2 and 3 is common.<br>00: 0 cycle<br>01: 1 cycle<br>10: 2 cycles<br>11: Setting prohibited |
| 3    | TRWL0    | 0             | R/W |   |
| 2    | —        | 0             | R   | Reserved<br>This bit is always read as 0. The write value should always be 0.   |
| 1    | TRC1     | 0             | R/W | Number of Cycles from REF Command/Self-refresh Release to ACTV Command<br>Specify the number of cycles from issuing the REF command or releasing self-refresh to issuing the ACTV command. The setting for areas 2 and 3 is common.<br>00: 3 cycles<br>01: 4 cycles<br>10: 6 cycles<br>11: 9 cycles                 |
| 0    | TRC0     | 0             | R/W |   |

Note: \* Specify area 3 as SDRAM when only one area is connected with SDRAM. In this case, specify area 2 as normal space.

#### 7.4.4 SDRAM Control Register (SDCR)

SDCR specifies the method to refresh and access SDRAM, and the types of SDRAMs to be connected.

The bits other than RFSH and RMODE should be written in the initialization after a power-on reset and should not be modified after the initialization. When modifying these bits RFSH and RMODE, do not change the values of other bits and write the previous values. Do not access area 2 or 3 until the SDCR register setting is complete when using synchronous DRAM.

| Bit      | Bit Name | Initial Value | R/W | Description  |
|----------|----------|---------------|-----|--|
| 31 to 21 | —        | 0             | R   | Reserved<br>These bits are always read as 0. The write value should always be 0.   |
| 20       | A2ROW1   | 0             | R/W | Number of Bits of Row Address for Area 2   |
| 19       | A2ROW0   | 0             | R/W | Specifies the number of bits of row address for area 2.<br>00: 11 bits<br>01: 12 bits<br>10: 13 bits<br>11: Setting prohibited   |
| 18       | —        | 0             | R   | Reserved<br>This bit is always read as 0. The write value should always be 0.  |
| 17       | A2COL1   | 0             | R/W | Number of Bits of Column Address for Area 2  |
| 16       | A2COL0   | 0             | R/W | Specifies the number of bits of column address for area 2.<br>00: 8 bits<br>01: 9 bits<br>10: 10 bits<br>11: Setting prohibited  |
| 15 to 13 | —        | 0             | R   | Reserved<br>These bits are always read as 0. The write value should always be 0.   |
| 12       | SLOW     | 0             | R/W | Low-Frequency Mode<br>Specifies the output timing of command, address, and write data for SDRAM and the latch timing of read data from SDRAM. Setting this bit makes the hold time for command, address, write and read data extended. This mode is suitable for SDRAM with low-frequency clock.<br>0: Command, address, and write data for SDRAM is output at the rising edge of CKIO. Read data from SDRAM is latched at the rising edge of CKIO.<br>1: Command, address, and write data for SDRAM is output at the falling edge of CKIO. Read data from SDRAM is latched at the falling edge of CKIO. |

| Bit    | Bit Name | Initial Value | R/W | Description   |
|--------|----------|---------------|-----|---|
| 11     | RFSH     | 0             | R/W | Refresh Control<br>Specifies whether or not the refresh operation of the SDRAM is performed.<br>0: No refresh<br>1: Refresh   |
| 10     | RMODE    | 0             | R/W | Refresh Control<br>Specifies whether to perform auto-refresh or self-refresh when the RFSH bit is 1. When the RFSH bit is 1 and this bit is 1, self-refresh starts immediately. When the RFSH bit is 1 and this bit is 0, auto-refresh starts according to the contents that are set in registers RTCSR, RTCNT, and RTCOR.<br>0: Auto-refresh is performed<br>1: Self-refresh is performed  |
| 9      | —        | 0             | R   | Reserved<br>This bit is always read as 0. The write value should always be 0.   |
| 8      | BACTV    | 0             | R/W | Bank Active Mode<br>Specifies to access whether in auto-precharge mode (using READA and WRITA commands) or in bank active mode (using READ and WRIT commands).<br>0: Auto-precharge mode (using READA and WRITA commands)<br>1: Bank active mode (using READ and WRIT commands)<br>Note: Bank active mode can be used only when either the upper or lower bits of the CS3 space are used. When both the CS2 and CS3 spaces are set to SDRAM, specify the auto-precharge mode. |
| 7 to 5 | —        | 0             | R   | Reserved<br>These bits are always read as 0. The write value should always be 0.  |
| 4      | A3ROW1   | 0             | R/W | Number of Bits of Row Address for Area 3  |
| 3      | A3ROW0   | 0             | R/W | Specifies the number of bits of the row address for area 3.<br>00: 11 bits<br>01: 12 bits<br>10: 13 bits<br>11: Setting prohibited  |

| Bit | Bit Name | Initial Value | R/W | Description   |
|-----|----------|---------------|-----|---|
| 2   | —        | 0             | R   | Reserved<br>This bit is always read as 0. The write value should always be 0.   |
| 1   | A3COL1   | 0             | R/W | Number of Bits of Column Address for Area 3   |
| 0   | A3COL0   | 0             | R/W | Specifies the number of bits of the column address for area 3.<br>00: 8 bits<br>01: 9 bits<br>10: 10 bits<br>11: Setting prohibited |

#### 7.4.5 Refresh Timer Control/Status Register (RTCSR)

RTCSR specifies various items about refresh for SDRAM.

This register only accepts 32-bit writing to prevent incorrect writing. In this case, the upper 16 bits of the data must be H'A55A, otherwise writing cannot be performed. When reading, the upper 16 bits are read as H'0000.

#### RTCSR

| Bit     | Bit Name | Initial Value | R/W | Description   |
|---------|----------|---------------|-----|---|
| 31 to 8 | —        | 0             | R   | Reserved  |
| 7       | CMF      | 0             | R/W | Compare Match Flag<br>0: Clearing condition When 0 is written in CMF after reading out RTCSR during CMF = 1.<br>1: Setting condition When the condition RTCNT = RTCOR is satisfied. |
| 6       | CMIE     | 0             | R/W | CMF Interrupt Enable<br>0: CMF interrupt request is disabled.<br>1: CMF interrupt request is enabled.   |

| Bit | Bit Name | Initial Value | R/W | Description   |
|-----|----------|---------------|-----|---|
| 5   | CKS2     | 0             | R/W | Clock Select  |
| 4   | CKS1     | 0             | R/W | Select the clock input to count-up the refresh timer counter (RTCNT).   |
| 3   | CKS0     | 0             | R/W | 000: Stop the counting-up<br>001: B $\phi$ /4<br>010: B $\phi$ /16<br>011: B $\phi$ /64<br>100: B $\phi$ /256<br>101: B $\phi$ /1024<br>110: B $\phi$ /2048<br>111: B $\phi$ /4096  |
| 2   | RRC2     | 0             | R/W | Refresh Count   |
| 1   | RRC1     | 0             | R/W | Specify the number of continuous refresh cycles, when the refresh request occurs after the coincidence of the values of the refresh timer counter (RTCNT) and the refresh time constant register (RTCOR). These bits can make the period of occurrence of refresh long. |
| 0   | RRC0     | 0             | R/W | 000: Once<br>001: Twice<br>010: 4 times<br>011: 6 times<br>100: 8 times<br>101: Setting prohibited.<br>110: Setting prohibited.<br>111: Setting prohibited.   |



#### 7.4.6 Refresh Timer Counter (RTCNT)

RTCNT is an 8-bit counter that counts up using the clock selected by bits CKS2 to CKS0 in RTCSR.

This register only accepts 32-bit writing to prevent incorrect writing. In this case, the upper 16 bits of the data must be H'A55A, otherwise writing cannot be performed. When reading, the upper 16 bits are read as H'0000.

When RTCNT matches RTCOR, RTCNT is cleared to 0. The value in RTCNT returns to 0 after counting up to 255.

| Bit     | Bit Name | Initial Value | R/W | Description   |
|---------|----------|---------------|-----|---------------|
| 31 to 8 | —        | 0             | R   | Reserved      |
| 7 to 0  | —        | 0             | R/W | 8-Bit Counter |

#### 7.4.7 Refresh Time Constant Register (RTCOR)

RTCOR is an 8-bit register. When RTCOR matches RTCNT, the CMF bit in RTCSR is set to 1 and RTCNT is cleared to 0.

This register only accepts 32-bit writing to prevent incorrect writing. In this case, the upper 16 bits of the data must be H'A55A, otherwise writing cannot be performed. When reading, the upper 16 bits are read as H'0000.

When the RFSH bit in SDCR is 1, a memory refresh request is issued by this matching signal. This request is maintained until the refresh operation is performed. If the request is not processed when the next matching occurs, the previous request is ignored.

When the CMIE bit in RTCSR is 1, an interrupt request is issued by this matching signal. This request signal is output until the CMF bit in RTCSR is cleared. Clearing the CMF bit only affects the interrupt and does not affect the refresh request. Accordingly, the refresh requests and interval timer interrupts can be used together. For example, the number of refresh requests can be counted by using interrupts while the refresh is performed.

| Bit     | Bit Name | Initial Value | R/W | Description  |
|---------|----------|---------------|-----|--|
| 31 to 8 | —        | 0             | R   | Reserved<br>These bits are always read as 0. The write value should always be 0. |
| 7 to 0  | —        | 0             | R/W | Maximum Counter Value (eight bits)   |

#### 7.4.8 Reset Wait Counter (RWTCNT)

RWTCNT is a 16-bit register. The lower seven bits of this register (bits 6 to 0) are valid as a counter and the upper nine bits (bits 15 to 7) are reserved. This counter starts to count-up by synchronizing the CKIO after a power-on reset is released. This counter stops when the value reaches to H'007F. The access to an external bus has to wait when the counter is operating. This counter is provided to minimize the time from releasing a reset for flash memory to the first access. This counter cannot be read or written into.

### 7.5 Endian/Access Size and Data Alignment

This LSI supports big endian, in which the 0 address is the most significant byte (MSByte) in the byte data and little endian, in which the 0 address is the least significant byte (LSByte) in the byte data. Endian is specified on power-on reset by the external pin (MD5). When MD5 pin is low level on power-on reset, the endian will become big endian and when MD5 pin is high level on power-on reset, the endian will become little endian. Three data bus widths are available for normal memory (byte, word, and longword). Word and longword are available for SDRAM. Data bus width for address/data multiplex I/O (MPX) should be 16 bits. Data alignment is performed in accordance with the data bus width of the device and endian. This also means that when longword data is read from a byte-width device, the read operation must be done four times. In this LSI, data alignment and conversion of data length is performed automatically between the respective interfaces.

Tables 7.4 to 7.9 show the relationship between endian, device data width, and access unit.

**Table 7.4 32-Bit External Device/Big Endian Access and Data Alignment**

| Operation            | Data Bus           |                    |                   |                  | Strobe Signals              |                             |                             |                             |
|----------------------|--------------------|--------------------|-------------------|------------------|-----------------------------|-----------------------------|-----------------------------|-----------------------------|
|                      | D31 to D24         | D23 to D16         | D15 to D8         | D7 to D0         | $\overline{WE3}$ ,<br>DQMUU | $\overline{WE2}$ ,<br>DQMUL | $\overline{WE1}$ ,<br>DQMLU | $\overline{WE0}$ ,<br>DQMLL |
| Byte access at 0     | Data 7 to Data 0   | —                  | —                 | —                | Assert                      | —                           | —                           | —                           |
| Byte access at 1     | —                  | Data 7 to Data 0   | —                 | —                | —                           | Assert                      | —                           | —                           |
| Byte access at 2     | —                  | —                  | Data 7 to Data 0  | —                | —                           | —                           | Assert                      | —                           |
| Byte access at 3     | —                  | —                  | —                 | Data 7 to Data 0 | —                           | —                           | —                           | Assert                      |
| Word access at 0     | Data 15 to Data 8  | Data 7 to Data 0   | —                 | —                | Assert                      | Assert                      | —                           | —                           |
| Word access at 2     | —                  | —                  | Data 15 to Data 8 | Data 7 to Data 0 | —                           | —                           | Assert                      | Assert                      |
| Longword access at 0 | Data 31 to Data 24 | Data 23 to Data 16 | Data 15 to Data 8 | Data 7 to Data 0 | Assert                      | Assert                      | Assert                      | Assert                      |

**Table 7.5 16-Bit External Device/Big Endian Access and Data Alignment**

| Operation                  | Data Bus         |            |                      |                          | Strobe Signals              |                             |                             |                             |        |
|----------------------------|------------------|------------|----------------------|--------------------------|-----------------------------|-----------------------------|-----------------------------|-----------------------------|--------|
|                            | D31 to D24       | D23 to D16 | D15 to D8            | D7 to D0                 | $\overline{WE3}$ ,<br>DQMUU | $\overline{WE2}$ ,<br>DQMUL | $\overline{WE1}$ ,<br>DQMLU | $\overline{WE0}$ ,<br>DQMLL |        |
| Byte access at 0           | —                | —          | Data 7 to<br>Data 0  | —                        | —                           | —                           | Assert                      | —                           |        |
| Byte access at 1           | —                | —          | —                    | Data 7 to<br>Data 0      | —                           | —                           | —                           | Assert                      |        |
| Byte access at 2           | —                | —          | Data 7 to<br>Data 0  | —                        | —                           | —                           | Assert                      | —                           |        |
| Byte access at 3           | —                | —          | —                    | Data 7 to<br>Data 0      | —                           | —                           | —                           | Assert                      |        |
| Word access at 0           | —                | —          | Data 15<br>to Data 8 | Data 7 to<br>Data 0      | —                           | —                           | Assert                      | Assert                      |        |
| Word access at 2           | —                | —          | Data 15<br>to Data 8 | Data 7 to<br>Data 0      | —                           | —                           | Assert                      | Assert                      |        |
| Longword<br>access<br>at 0 | 1st<br>time at 0 | —          | —                    | Data 31<br>to Data<br>24 | Data 23<br>to Data<br>16    | —                           | —                           | Assert                      | Assert |
|                            | 2nd<br>time at 2 | —          | —                    | Data 15<br>to Data 8     | Data 7 to<br>Data 0         | —                           | —                           | Assert                      | Assert |

**Table 7.6 8-Bit External Device/Big Endian Access and Data Alignment**

| Operation            |               | Data Bus   |            |           |                    | Strobe Signals              |                             |                             |                             |
|----------------------|---------------|------------|------------|-----------|--------------------|-----------------------------|-----------------------------|-----------------------------|-----------------------------|
|                      |               | D31 to D24 | D23 to D16 | D15 to D8 | D7 to D0           | $\overline{WE3}$ ,<br>DQMUU | $\overline{WE2}$ ,<br>DQMUL | $\overline{WE1}$ ,<br>DQMLU | $\overline{WE0}$ ,<br>DQMLL |
| Byte access at 0     |               | —          | —          | —         | Data 7 to Data 0   | —                           | —                           | —                           | Assert                      |
| Byte access at 1     |               | —          | —          | —         | Data 7 to Data 0   | —                           | —                           | —                           | Assert                      |
| Byte access at 2     |               | —          | —          | —         | Data 7 to Data 0   | —                           | —                           | —                           | Assert                      |
| Byte access at 3     |               | —          | —          | —         | Data 7 to Data 0   | —                           | —                           | —                           | Assert                      |
| Word access at 0     | 1st time at 0 | —          | —          | —         | Data 15 to Data 8  | —                           | —                           | —                           | Assert                      |
|                      | 2nd time at 1 | —          | —          | —         | Data 7 to Data 0   | —                           | —                           | —                           | Assert                      |
| Word access at 2     | 1st time at 2 | —          | —          | —         | Data 15 to Data 8  | —                           | —                           | —                           | Assert                      |
|                      | 2nd time at 3 | —          | —          | —         | Data 7 to Data 0   | —                           | —                           | —                           | Assert                      |
| Longword access at 0 | 1st time at 0 | —          | —          | —         | Data 31 to Data 24 | —                           | —                           | —                           | Assert                      |
|                      | 2nd time at 1 | —          | —          | —         | Data 23 to Data 16 | —                           | —                           | —                           | Assert                      |
|                      | 3rd time at 2 | —          | —          | —         | Data 15 to Data 8  | —                           | —                           | —                           | Assert                      |
|                      | 4th time at 3 | —          | —          | —         | Data 7 to Data 0   | —                           | —                           | —                           | Assert                      |

**Table 7.7 32-Bit External Device/Little Endian Access and Data Alignment**

| Operation            | Data Bus           |                    |                   |                  | Strobe Signals              |                             |                             |                             |
|----------------------|--------------------|--------------------|-------------------|------------------|-----------------------------|-----------------------------|-----------------------------|-----------------------------|
|                      | D31 to D24         | D23 to D16         | D15 to D8         | D7 to D0         | $\overline{WE3}$ ,<br>DQMUU | $\overline{WE2}$ ,<br>DQMUL | $\overline{WE1}$ ,<br>DQMLU | $\overline{WE0}$ ,<br>DQMLL |
| Byte access at 0     | —                  | —                  | —                 | Data 7 to Data 0 | —                           | —                           | —                           | Assert                      |
| Byte access at 1     | —                  | —                  | Data 7 to Data 0  | —                | —                           | —                           | Assert                      | —                           |
| Byte access at 2     | —                  | Data 7 to Data 0   | —                 | —                | —                           | Assert                      | —                           | —                           |
| Byte access at 3     | Data 7 to Data 0   | —                  | —                 | —                | Assert                      | —                           | —                           | —                           |
| Word access at 0     | —                  | —                  | Data 15 to Data 8 | Data 7 to Data 0 | —                           | —                           | Assert                      | Assert                      |
| Word access at 2     | Data 15 to Data 8  | Data 7 to Data 0   | —                 | —                | Assert                      | Assert                      | —                           | —                           |
| Longword access at 0 | Data 31 to Data 24 | Data 23 to Data 16 | Data 15 to Data 8 | Data 7 to Data 0 | Assert                      | Assert                      | Assert                      | Assert                      |

**Table 7.8 16-Bit External Device/Little Endian Access and Data Alignment**

| Operation                  | Data Bus         |            |                          |                          | Strobe Signals              |                             |                             |                             |
|----------------------------|------------------|------------|--------------------------|--------------------------|-----------------------------|-----------------------------|-----------------------------|-----------------------------|
|                            | D31 to D24       | D23 to D16 | D15 to D8                | D7 to D0                 | $\overline{WE3}$ ,<br>DQMUU | $\overline{WE2}$ ,<br>DQMUL | $\overline{WE1}$ ,<br>DQMLU | $\overline{WE0}$ ,<br>DQMLL |
| Byte access at 0           | —                | —          | —                        | Data 7 to<br>Data 0      | —                           | —                           | —                           | Assert                      |
| Byte access at 1           | —                | —          | Data 7 to<br>Data 0      | —                        | —                           | —                           | Assert                      | —                           |
| Byte access at 2           | —                | —          | —                        | Data 7 to<br>Data 0      | —                           | —                           | —                           | Assert                      |
| Byte access at 3           | —                | —          | Data 7 to<br>Data 0      | —                        | —                           | —                           | Assert                      | —                           |
| Word access at 0           | —                | —          | Data 15<br>to Data 8     | Data 7 to<br>Data 0      | —                           | —                           | Assert                      | Assert                      |
| Word access at 2           | —                | —          | Data 15<br>to Data 8     | Data 7 to<br>Data 0      | —                           | —                           | Assert                      | Assert                      |
| Longword<br>access<br>at 0 | 1st<br>time at 0 | —          | Data 15<br>to Data 8     | Data 7 to<br>Data 0      | —                           | —                           | Assert                      | Assert                      |
|                            | 2nd<br>time at 1 | —          | Data 31<br>to Data<br>24 | Data 23<br>to Data<br>16 | —                           | —                           | Assert                      | Assert                      |

**Table 7.9 8-Bit External Device/Little Endian Access and Data Alignment**

| Operation            |               | Data Bus   |            |           | Strobe Signals     |                             |                             |                             |                             |
|----------------------|---------------|------------|------------|-----------|--------------------|-----------------------------|-----------------------------|-----------------------------|-----------------------------|
|                      |               | D31 to D24 | D23 to D16 | D15 to D8 | D7 to D0           | $\overline{WE3}$ ,<br>DQMUU | $\overline{WE2}$ ,<br>DQMUL | $\overline{WE1}$ ,<br>DQMLU | $\overline{WE0}$ ,<br>DQMLL |
| Byte access at 0     |               | —          | —          | —         | Data 7 to Data 0   | —                           | —                           | —                           | Assert                      |
| Byte access at 1     |               | —          | —          | —         | Data 7 to Data 0   | —                           | —                           | —                           | Assert                      |
| Byte access at 2     |               | —          | —          | —         | Data 7 to Data 0   | —                           | —                           | —                           | Assert                      |
| Byte access at 3     |               | —          | —          | —         | Data 7 to Data 0   | —                           | —                           | —                           | Assert                      |
| Word access at 0     | 1st time at 0 | —          | —          | —         | Data 7 to Data 0   | —                           | —                           | —                           | Assert                      |
|                      | 2nd time at 1 | —          | —          | —         | Data 15 to Data 8  | —                           | —                           | —                           | Assert                      |
| Word access at 2     | 1st time at 2 | —          | —          | —         | Data 7 to Data 0   | —                           | —                           | —                           | Assert                      |
|                      | 2nd time at 3 | —          | —          | —         | Data 15 to Data 8  | —                           | —                           | —                           | Assert                      |
| Longword access at 0 | 1st time at 0 | —          | —          | —         | Data 7 to Data 0   | —                           | —                           | —                           | Assert                      |
|                      | 2nd time at 1 | —          | —          | —         | Data 15 to Data 8  | —                           | —                           | —                           | Assert                      |
|                      | 3rd time at 2 | —          | —          | —         | Data 23 to Data 16 | —                           | —                           | —                           | Assert                      |
|                      | 4th time at 3 | —          | —          | —         | Data 31 to Data 24 | —                           | —                           | —                           | Assert                      |



## 7.6 Normal Space Interface

### 7.6.1 Basic Timing

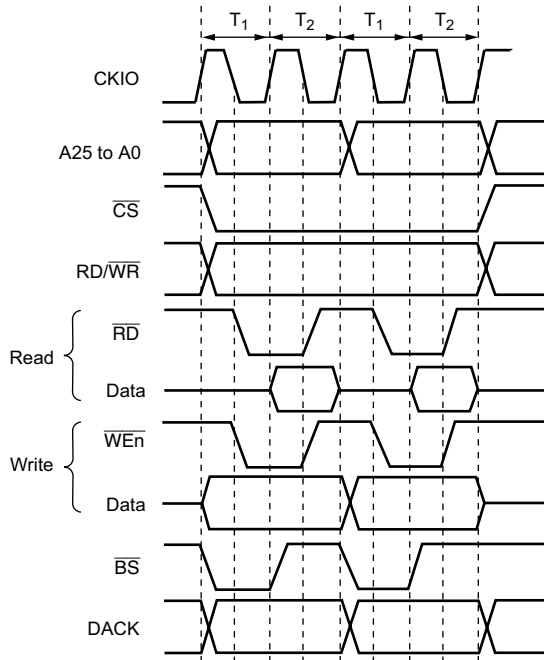
For access to a normal space, this LSI uses strobe signal output in consideration of the fact that mainly static RAM will be directly connected. When using SRAM with a byte-selection pin, see section 7.10, Byte-Selection SRAM Interface. Figures 7.3 and 7.4 show the basic timings of normal space accesses. A no-wait normal access is completed in two cycles. The  $\overline{BS}$  signal is asserted for one cycle to indicate the start of a bus cycle.

There is no access size specification when reading. The correct access start address is output in the least significant bit of the address, but since there is no access size specification, 32 bits are always read in case of a 32-bit device, and 16 bits in case of a 16-bit device. When writing, only the  $\overline{WEN}$  signal for the byte to be written is asserted.

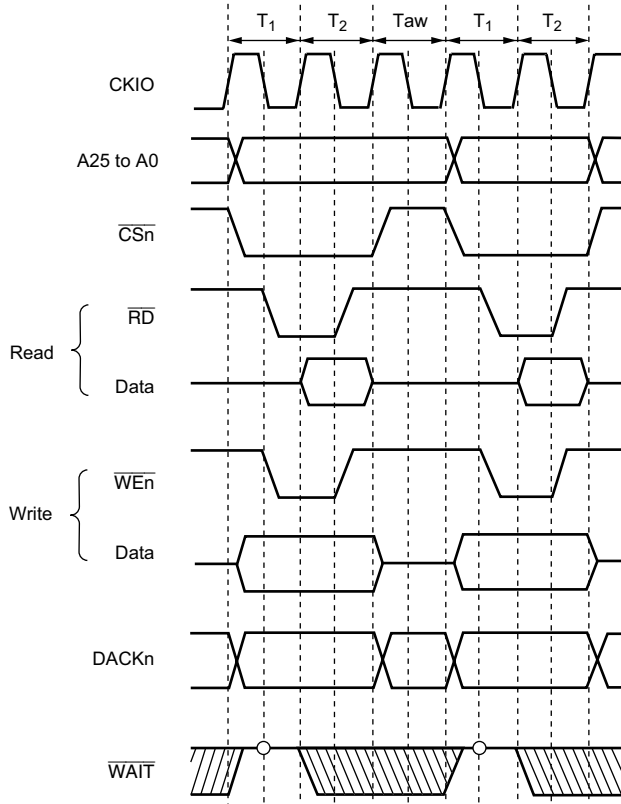
Read/write for cache fill or writeback follows the selected bus width and transfers a total of 16 bytes continuously. The bus is not released during this transfer. For cache misses that occur during byte or word operand accesses or branching to odd word boundaries, the fill is always performed by longword accesses on the chip-external interface. Write-through-area write access and non-cacheable read/write access are based on the actual address size.

It is necessary to output the read out data by using  $\overline{RD}$  when a buffer is established in the data bus. The  $\overline{RD}/\overline{WR}$  signal is in a read state (high output) when an access is not performed. Therefore, care must be taken about the collision of output in controlling the external data buffer.

When the WM bit in CSnWCR is cleared to 0, a Tnop cycle is inserted to evaluate an external wait. When the WM bit in CSnWCR is set to 1, an external wait is ignored and no Tnop cycle is inserted.

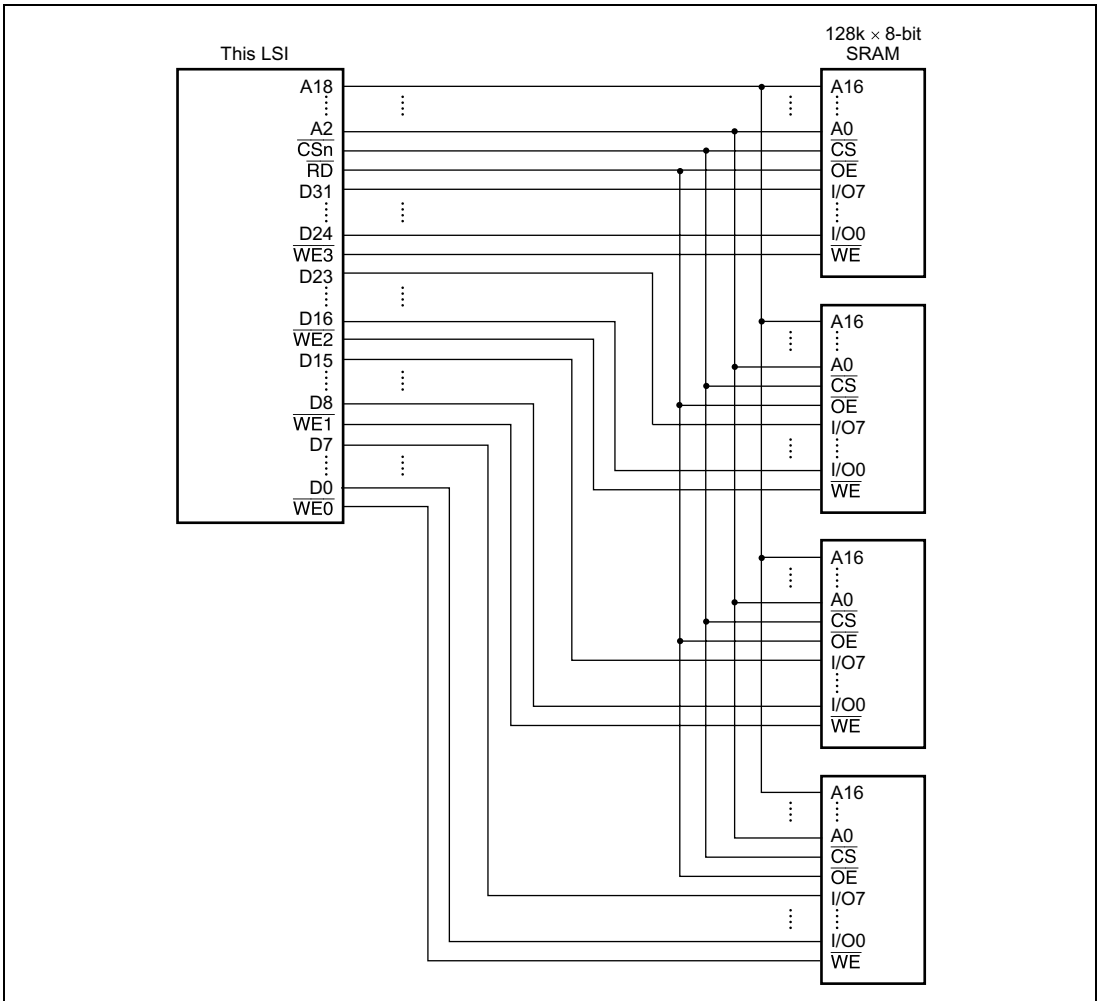


**Figure 7.3 Continuous Access for Normal Space (No Wait, WM Bit in CSnWCR = 1, 16-Bit Bus Width, Longword Access, No Wait State between Cycles)**

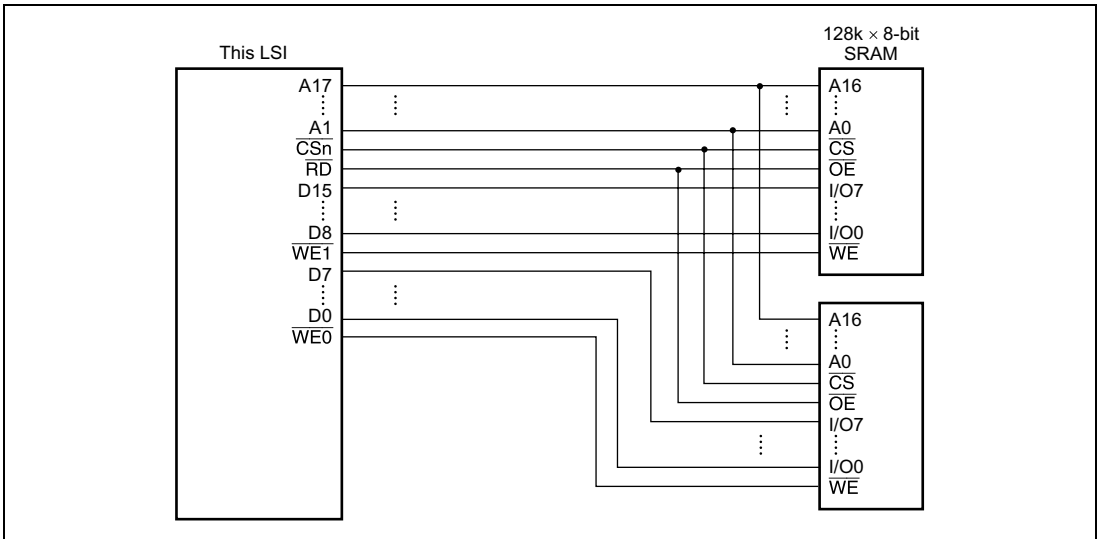


**Figure 7.4 Continuous Access for Normal Space  
(No Wait, One Wait State between Cycles)**

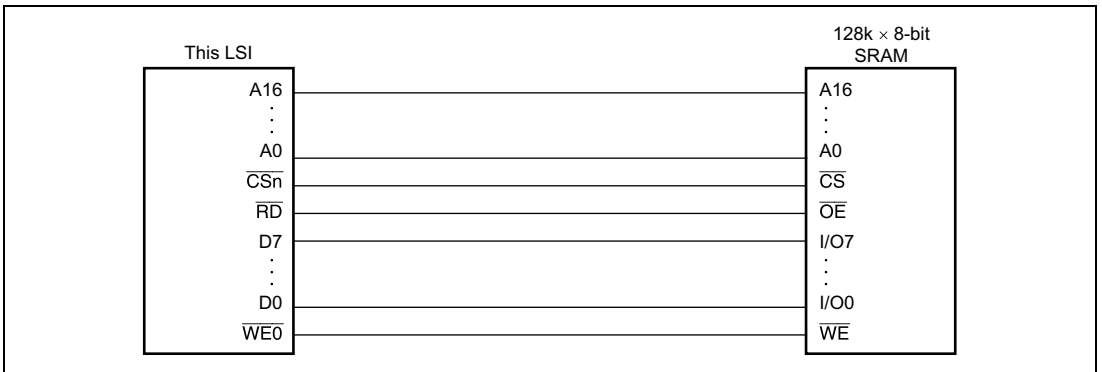
Figures 7.5 to 7.7 show examples of connection to 32-bit, 16-bit, and 8-bit data-width SRAM, respectively.



**Figure 7.5 Example of 32-Bit Data-Width SRAM Connection**



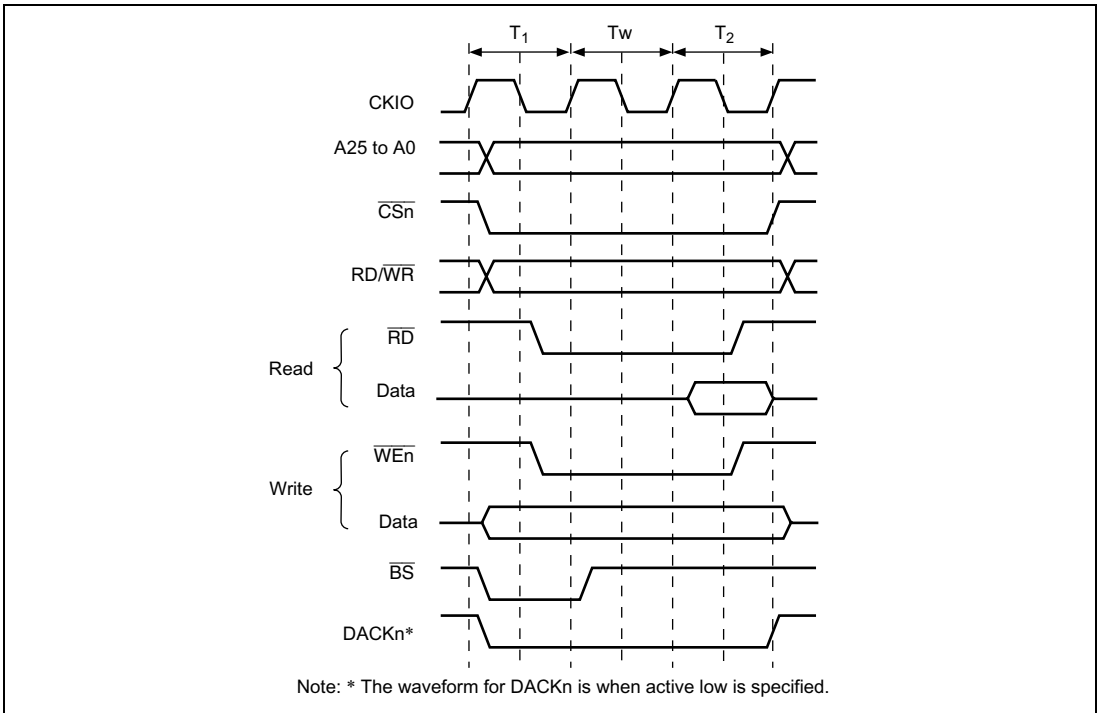
**Figure 7.6 Example of 16-Bit Data-Width SRAM Connection**



**Figure 7.7 Example of 8-Bit Data-Width SRAM Connection**

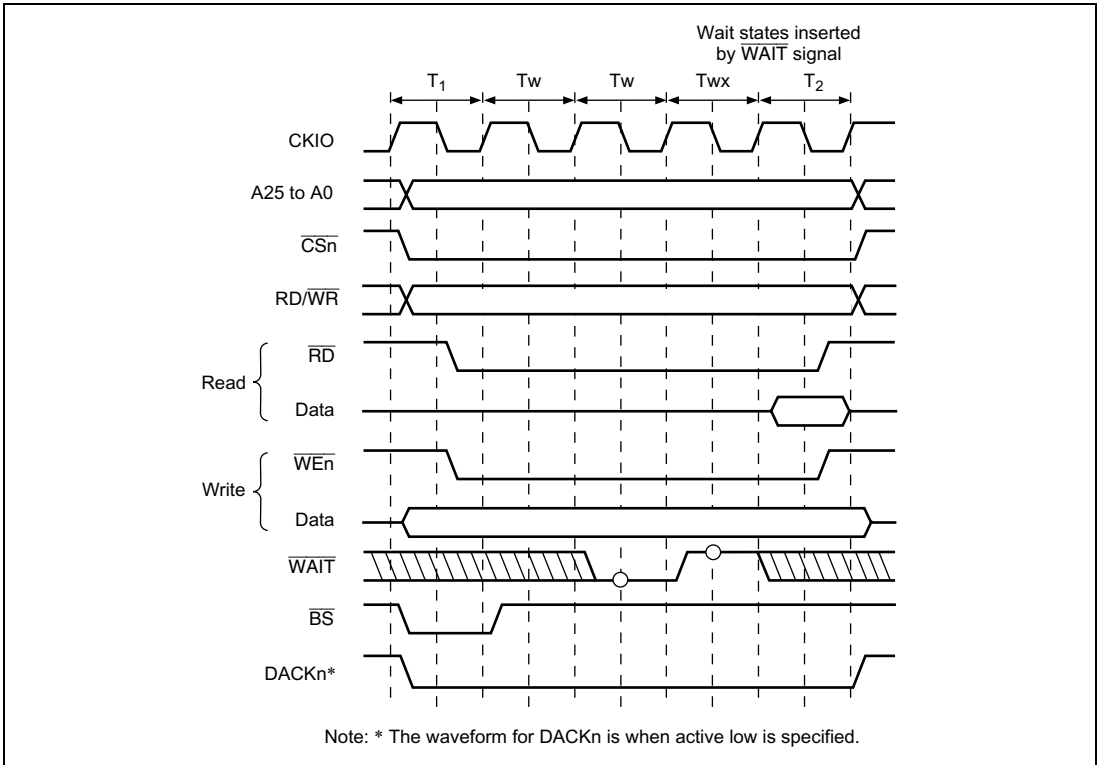
## 7.6.2 Access Wait Control

Wait cycle insertion on a normal space access can be controlled by the settings of bits WR3 to WR0 in CSnWCR. It is possible for areas 4, 5A, and 5B to insert wait cycles independently in read access and in write access. The areas other than 4, 5A, and 5B have common access wait for read cycle and write cycle. The specified number of  $T_w$  cycles is inserted as wait cycles in a normal space access shown in figure 7.8.



**Figure 7.8 Wait Timing for Normal Space Access (Software Wait Only)**

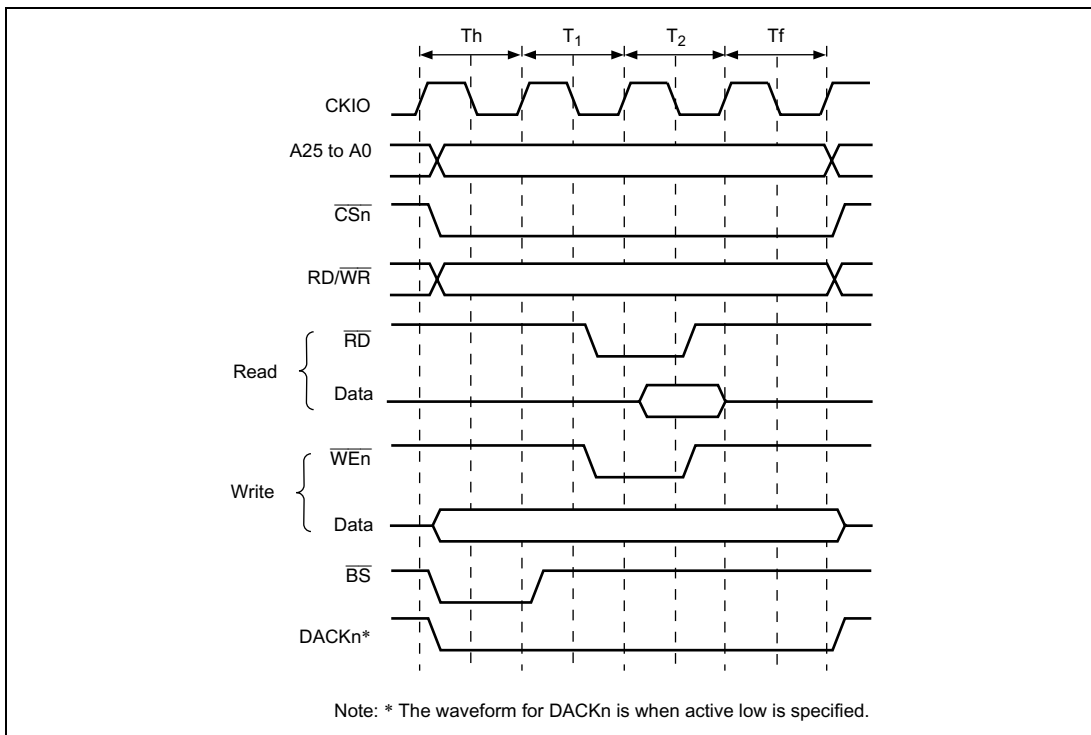
When the WM bit in CSnWCR is cleared to 0, the external wait input  $\overline{\text{WAIT}}$  signal is also sampled.  $\overline{\text{WAIT}}$  pin sampling is shown in figure 7.9. A 2-cycle wait is specified as a software wait. The  $\overline{\text{WAIT}}$  signal is sampled on the falling edge of CKIO at the transition from the  $T_1$  or  $T_w$  cycle to the  $T_2$  cycle.



**Figure 7.9 Wait State Timing for Normal Space Access  
(Wait State Insertion by  $\overline{\text{WAIT}}$  Signal)**

### 7.6.3 $\overline{\text{CSn}}$ Assert Period Expansion

The number of cycles from  $\overline{\text{CSn}}$  assertion to  $\overline{\text{RD}}$ ,  $\overline{\text{WEn}}$  assertion can be specified by setting bits SW1 and SW0 in CSnWCR. The number of cycles from  $\overline{\text{RD}}$ ,  $\overline{\text{WEn}}$  negation to  $\overline{\text{CSn}}$  negation can be specified by setting bits HW1 and HW0. Therefore, a flexible interface to an external device can be obtained. Figure 7.10 shows an example. A  $T_h$  cycle and a  $T_f$  cycle are added before and after an ordinary cycle, respectively. In these cycles,  $\overline{\text{RD}}$  and  $\overline{\text{WEn}}$  are not asserted, while other signals are asserted. The data output is prolonged to the  $T_f$  cycle, and this prolongation is useful for devices with slow writing operations.



**Figure 7.10  $\overline{\text{CSn}}$  Assert Period Expansion**



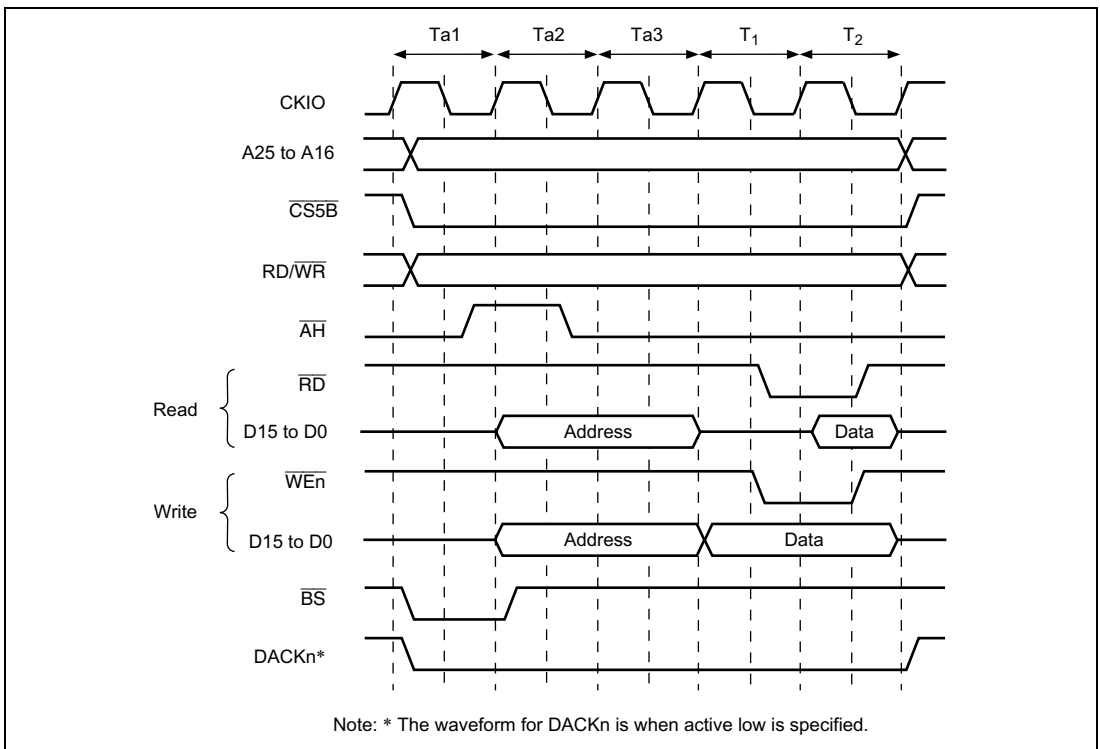
## 7.7 Address/Data Multiplex I/O Interface

The address/data multiplex (MPX) I/O interface can be selected by setting bits TYPE2 to TYPE0 to 010 in CS5BBCR. Do not set this value to the bits in CSnBCR other than those in area 5B, otherwise the operation of the LSI is not guaranteed. Access timing for the MPX space is shown below. In the MPX space,  $\overline{CS5B}$ ,  $\overline{AH}$ ,  $\overline{RD}$ , and  $\overline{WEn}$  signals control the accessing. The basic access for the MPX space consists of 2 cycles of address output followed by an access to a normal space.

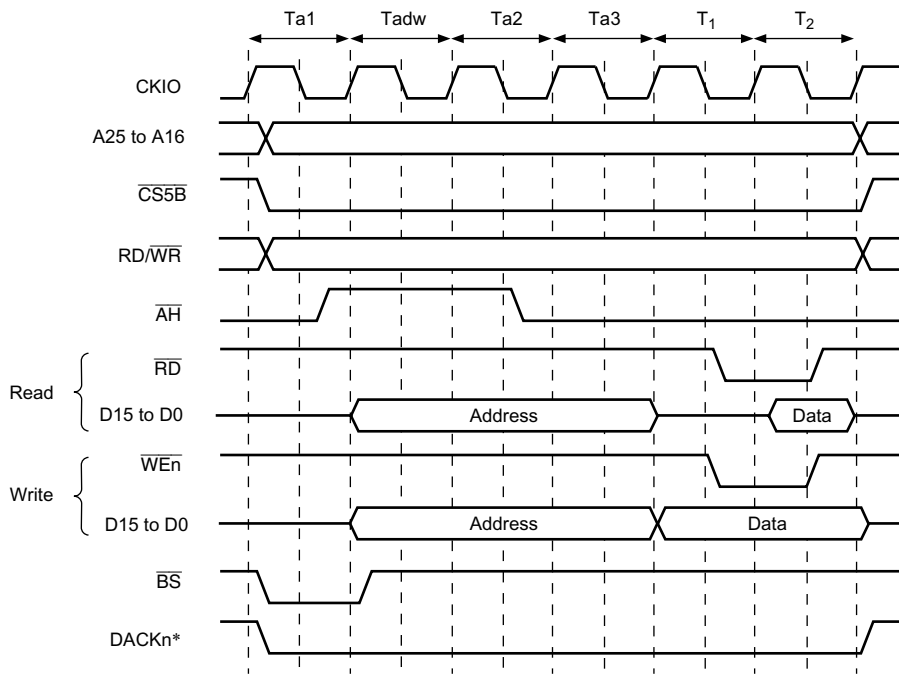
The address output is performed from cycle Ta2 to cycle Ta3. Because cycle Ta1 has a high-impedance state, collisions of addresses and data can be avoided without inserting idle cycles, even in continuous accesses. Address output is increased to 3 cycles by setting the MPXW bit to 1 in CS5BWCR. The  $\overline{RD}/\overline{WR}$  signal is output at the same time as the  $\overline{CSn}$  signal; it is high in the read cycle and low in the write cycle.

The data cycle is the same as that in a normal space access.

Timing charts are shown in figures 7.11, 7.12, and 7.13.

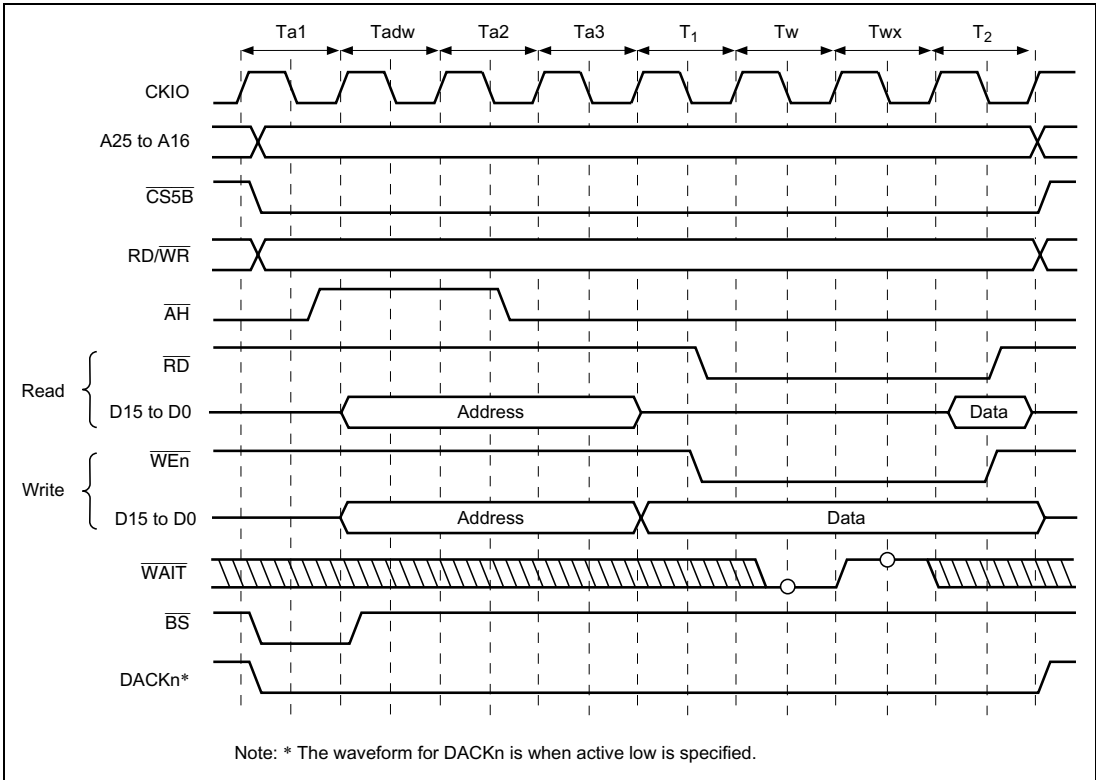


**Figure 7.11 Access Timing for MPX Space  
(Address Cycle No Wait, Data Cycle No Wait)**



Note: \* The waveform for DACKn is when active low is specified.

**Figure 7.12 Access Timing for MPX Space  
(Address Cycle Wait 1, Data Cycle No Wait)**



**Figure 7.13 Access Timing for MPX Space  
(Address Cycle Access Wait 1, Data Cycle Wait 1, External Wait 1)**

## 7.8 SDRAM Interface

### 7.8.1 SDRAM Direct Connection

Since synchronous DRAM can be selected by the  $\overline{CS}$  signal, physical space areas 2 and 3 can be connected using  $\overline{RAS}$  and other control signals in common. If the TYPE[2:0] bits in CSnBCR (n = 2 or 3) are set to 100, the synchronous DRAM interface can be selected. Do not set this value to CSnBCR unless n = 2 or 3, otherwise the operation of this LSI is not guaranteed.

The SDRAM that can be connected to this LSI is a product that has 11/12/13 bits of row address, 8/9/10 bits of column address, 4 or less banks, and uses the A10 pin for setting precharge mode in read and write command cycles. The control signals for direct connection of SDRAM are  $\overline{RASU}$ ,  $\overline{RASL}$ ,  $\overline{CASU}$ ,  $\overline{CASL}$ ,  $\overline{RD/WR}$ ,  $\overline{DQMUU}$ ,  $\overline{DQMUL}$ ,  $\overline{DQMLU}$ ,  $\overline{DQMLL}$ ,  $\overline{CKE}$ ,  $\overline{CS2}$ , and  $\overline{CS3}$ . All the signals other than  $\overline{CS2}$  and  $\overline{CS3}$  are common to all areas, and signals other than  $\overline{CKE}$  are valid when  $\overline{CS2}$  or  $\overline{CS3}$  is asserted. SDRAM can be connected to up to 2 spaces. The data bus width of the area that is connected to SDRAM can be set to 32 or 16 bits.

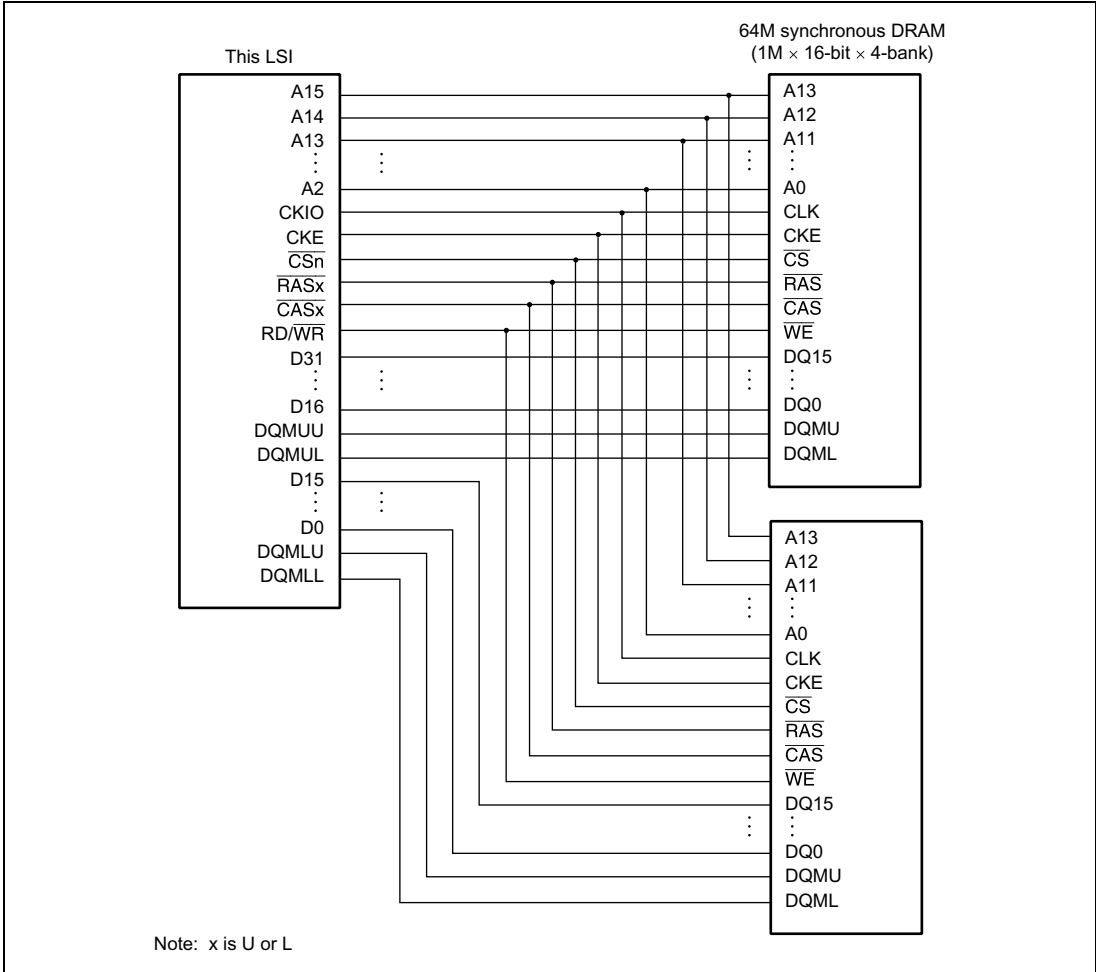
Burst read/single write (burst length 1) and burst read/burst write (burst length 1) are supported as the SDRAM operating mode.

Commands for SDRAM can be specified by  $\overline{RASU}$ ,  $\overline{RASL}$ ,  $\overline{CASU}$ ,  $\overline{CASL}$ ,  $\overline{RD/WR}$ , and specific address signals. These commands are shown below.

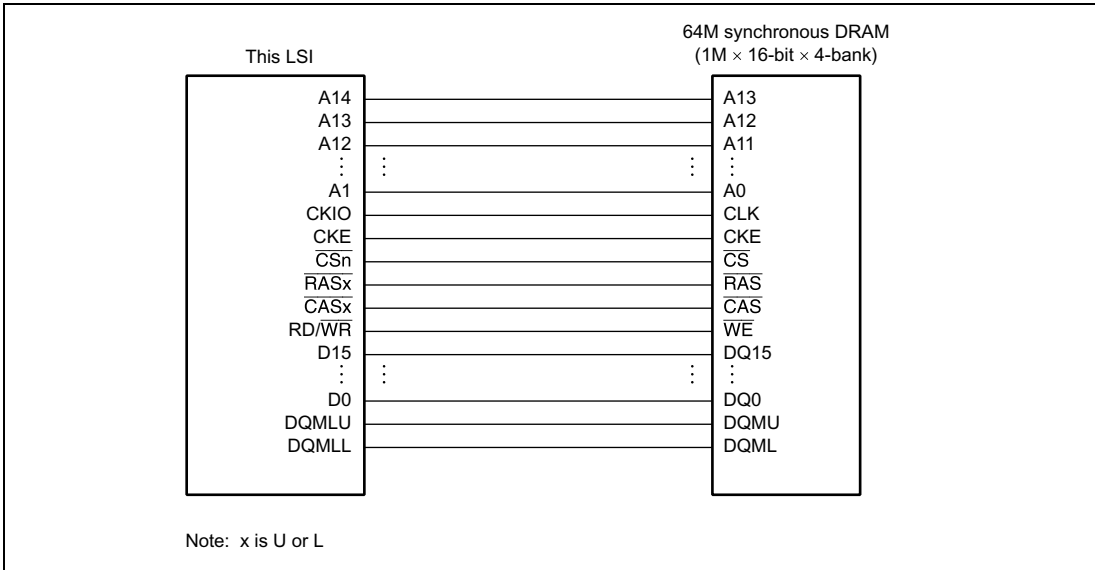
- NOP
- Auto-refresh (REF)
- Self-refresh (SELF)
- All banks pre-charge (PALL)
- Specified bank pre-charge (PRE)
- Bank active (ACTV)
- Read (READ)
- Read with pre-charge (READA)
- Write (WRIT)
- Write with pre-charge (WRITA)
- Write mode register (MRS)

The byte to be accessed is specified by  $\overline{DQMUU}$ ,  $\overline{DQMUL}$ ,  $\overline{DQMLU}$ , and  $\overline{DQMLL}$ . For the relationship between  $\overline{DQMxx}$  and the byte to be accessed, refer to section 7.5, Endian/Access Size and Data Alignment.

Figures 7.14 and 7.15 show examples of the connection of SDRAM with the LSI.



**Figure 7.14 Example of 64-MBit Synchronous DRAM Connection (32-Bit Data Bus)**



**Figure 7.15 Example of 64-MBit Synchronous DRAM (16-Bit Data Bus)**

**7.8.2 Address Multiplexing**

An address multiplexing is specified so that SDRAM can be connected without external multiplexing circuitry according to the setting of bits BSZ[1:0] in CSnBCR, AxROW[1:0] and AxCOL[1:0] in SDCR. Tables 7.10 to 7.15 show the relationship between the settings of bits BSZ[1:0], AxROW[1:0], and AxCOL[1:0] and the bits output at the address pins. Do not specify those bits in the manner other than this table, otherwise the operation of this LSI is not guaranteed. A25 to A18 are not multiplexed and the original values of address are always output at these pins.

When the data bus width is 16 bits (BSZ[1:0] = 10), A0 of SDRAM specifies a word address. Therefore, connect this A0 pin of SDRAM to the A1 pin of the LSI; the A1 pin of SDRAM to the A2 pin of the LSI, and so on. When the data bus width is 32 bits (BSZ[1:0] = 11), the A0 pin of SDRAM specifies a longword address. Therefore, connect this A0 pin of SDRAM to the A2 pin of the LSI; the A1 pin of SDRAM to the A3 pin of the LSI, and so on.

**Table 7.10 Relationship between A2/3BSZ[1:0], A2/3ROW[1:0], and Address Multiplex Output (1)-1**

| Setting                |                          |                             |                      |                             |
|------------------------|--------------------------|-----------------------------|----------------------|-----------------------------|
| A2/3 BSZ[1:0]          | A2/3 ROW[1:0]            | A2/3 COL[1:0]               |                      |                             |
| 11 (32 bits)           | 00 (11 bits)             | 00 (8 bits)                 |                      |                             |
| Output Pin of This LSI | Row Address Output Cycle | Column Address Output Cycle | Synchronous DRAM Pin | Function                    |
| A17                    | A25                      | A17                         |                      | Unused                      |
| A16                    | A24                      | A16                         |                      |                             |
| A15                    | A23                      | A15                         |                      |                             |
| A14                    | A22* <sup>2</sup>        | A22* <sup>2</sup>           | A12 (BA1)            | Specifies bank              |
| A13                    | A21* <sup>2</sup>        | A21* <sup>2</sup>           | A11 (BA0)            |                             |
| A12                    | A20                      | L/H* <sup>1</sup>           | A10/AP               | Specifies address/precharge |
| A11                    | A19                      | A11                         | A9                   | Address                     |
| A10                    | A18                      | A10                         | A8                   |                             |
| A9                     | A17                      | A9                          | A7                   |                             |
| A8                     | A16                      | A8                          | A6                   |                             |
| A7                     | A15                      | A7                          | A5                   |                             |
| A6                     | A14                      | A6                          | A4                   |                             |
| A5                     | A13                      | A5                          | A3                   |                             |
| A4                     | A12                      | A4                          | A2                   |                             |
| A3                     | A11                      | A3                          | A1                   |                             |
| A2                     | A10                      | A2                          | A0                   |                             |
| A1                     | A9                       | A1                          |                      | Unused                      |
| A0                     | A8                       | A0                          |                      |                             |

Example of connected memory

64-Mbit product (512 kwords x 32 bits x 4 banks, column 8 bits product): 1 device

16-Mbit product (512 kwords x 16 bits x 2 banks, column 8 bits product): 2 devices

Notes: 1. L/H is a bit used in the command specification; it is fixed at L or H according to the access mode.

2. Bank address specification

**Table 7.10 Relationship between A2/3BSZ[1:0], A2/3ROW[1:0], and Address Multiplex Output (1)-2**

| Setting                |                          |                             | Synchronous DRAM Pin | Function                    |
|------------------------|--------------------------|-----------------------------|----------------------|-----------------------------|
| A2/3 BSZ[1:0]          | A2/3 ROW[1:0]            | A2/3 COL[1:0]               |                      |                             |
| 11 (32 bits)           | 01 (12 bits)             | 00 (8 bits)                 |                      |                             |
| Output Pin of This LSI | Row Address Output Cycle | Column Address Output Cycle |                      |                             |
| A17                    | A25                      | A17                         |                      | Unused                      |
| A16                    | A24                      | A16                         |                      |                             |
| A15                    | A23* <sup>2</sup>        | A23* <sup>2</sup>           | A13 (BA1)            | Specifies bank              |
| A14                    | A22* <sup>2</sup>        | A22* <sup>2</sup>           | A12 (BA0)            |                             |
| A13                    | A21                      | A13                         | A11                  | Address                     |
| A12                    | A20                      | L/H* <sup>1</sup>           | A10/AP               | Specifies address/precharge |
| A11                    | A19                      | A11                         | A9                   | Address                     |
| A10                    | A18                      | A10                         | A8                   |                             |
| A9                     | A17                      | A9                          | A7                   |                             |
| A8                     | A16                      | A8                          | A6                   |                             |
| A7                     | A15                      | A7                          | A5                   |                             |
| A6                     | A14                      | A6                          | A4                   |                             |
| A5                     | A13                      | A5                          | A3                   |                             |
| A4                     | A12                      | A4                          | A2                   |                             |
| A3                     | A11                      | A3                          | A1                   |                             |
| A2                     | A10                      | A2                          | A0                   |                             |
| A1                     | A9                       | A1                          |                      | Unused                      |
| A0                     | A8                       | A0                          |                      |                             |

Example of connected memory

128-Mbit product (1 Mword x 32 bits x 4 banks, column 8 bits product): 1 device

64-Mbit product (1 Mword x 16 bits x 4 banks, column 8 bits product): 2 devices

Notes: 1. L/H is a bit used in the command specification; it is fixed at L or H according to the access mode.

2. Bank address specification



**Table 7.11 Relationship between A2/3BSZ[1:0], A2/3ROW[1:0], and Address Multiplex Output (2)-1**

| Setting                |                          |                             | Synchronous DRAM Pin | Function                    |
|------------------------|--------------------------|-----------------------------|----------------------|-----------------------------|
| A2/3 BSZ[1:0]          | A2/3 ROW[1:0]            | A2/3 COL[1:0]               |                      |                             |
| 11 (32 bits)           | 01 (12 bits)             | 01 (9 bits)                 |                      |                             |
| Output Pin of This LSI | Row Address Output Cycle | Column Address Output Cycle |                      |                             |
| A17                    | A26                      | A17                         |                      | Unused                      |
| A16                    | A25                      | A16                         |                      |                             |
| A15                    | A24* <sup>2</sup>        | A24* <sup>2</sup>           | A13 (BA1)            | Specifies bank              |
| A14                    | A23* <sup>2</sup>        | A23* <sup>2</sup>           | A12 (BA0)            |                             |
| A13                    | A22                      | A13                         | A11                  | Address                     |
| A12                    | A21                      | L/H* <sup>1</sup>           | A10/AP               | Specifies address/precharge |
| A11                    | A20                      | A11                         | A9                   | Address                     |
| A10                    | A19                      | A10                         | A8                   |                             |
| A9                     | A18                      | A9                          | A7                   |                             |
| A8                     | A17                      | A8                          | A6                   |                             |
| A7                     | A16                      | A7                          | A5                   |                             |
| A6                     | A15                      | A6                          | A4                   |                             |
| A5                     | A14                      | A5                          | A3                   |                             |
| A4                     | A13                      | A4                          | A2                   |                             |
| A3                     | A12                      | A3                          | A1                   |                             |
| A2                     | A11                      | A2                          | A0                   |                             |
| A1                     | A10                      | A1                          |                      | Unused                      |
| A0                     | A9                       | A0                          |                      |                             |

Example of connected memory

256-Mbit product (2 Mwords x 32 bits x 4 banks, column 9 bits product): 1 device

128-Mbit product (2 Mwords x 16 bits x 4 banks, column 9 bits product): 2 devices

Notes: 1. L/H is a bit used in the command specification; it is fixed at L or H according to the access mode.

2. Bank address specification

**Table 7.11 Relationship between A2/3BSZ[1:0], A2/3ROW[1:0], and Address Multiplex Output (2)-2**

| Setting                |                          |                             | Synchronous DRAM Pin | Function                    |
|------------------------|--------------------------|-----------------------------|----------------------|-----------------------------|
| A2/3 BSZ[1:0]          | A2/3 ROW[1:0]            | A2/3 COL[1:0]               |                      |                             |
| 11 (32 bits)           | 01 (12 bits)             | 10 (10 bits)                |                      |                             |
| Output Pin of This LSI | Row Address Output Cycle | Column Address Output Cycle |                      |                             |
| A17                    | A27                      | A17                         |                      | Unused                      |
| A16                    | A26                      | A16                         |                      |                             |
| A15                    | A25 <sup>*2</sup>        | A25 <sup>*2*3</sup>         | A13 (BA1)            | Specifies bank              |
| A14                    | A24 <sup>*2</sup>        | A24 <sup>*2</sup>           | A12 (BA0)            |                             |
| A13                    | A23                      | A13                         | A11                  | Address                     |
| A12                    | A22                      | L/H <sup>*1</sup>           | A10/AP               | Specifies address/precharge |
| A11                    | A21                      | A11                         | A9                   | Address                     |
| A10                    | A20                      | A10                         | A8                   |                             |
| A9                     | A19                      | A9                          | A7                   |                             |
| A8                     | A18                      | A8                          | A6                   |                             |
| A7                     | A17                      | A7                          | A5                   |                             |
| A6                     | A16                      | A6                          | A4                   |                             |
| A5                     | A15                      | A5                          | A3                   |                             |
| A4                     | A14                      | A4                          | A2                   |                             |
| A3                     | A13                      | A3                          | A1                   |                             |
| A2                     | A12                      | A2                          | A0                   |                             |
| A1                     | A11                      | A1                          |                      | Unused                      |
| A0                     | A10                      | A0                          |                      |                             |

Example of connected memory

512-Mbit product (4 Mwords x 32 bits x 4 banks, column 10 bits product): 1 device

256-Mbit product (4 Mwords x 16 bits x 4 banks, column 10 bits product): 2 devices

Notes: 1. L/H is a bit used in the command specification; it is fixed at L or H according to the access mode.

2. Bank address specification

3. Only the  $\overline{\text{RASL}}$  pin is asserted because the A25 pin specified the bank address.  $\overline{\text{RASU}}$  is not asserted.

**Table 7.12 Relationship between A2/3BSZ[1:0], A2/3ROW[1:0], and Address Multiplex Output (3)**

| Setting                |                          |                             |                      |                             |
|------------------------|--------------------------|-----------------------------|----------------------|-----------------------------|
| A2/3 BSZ[1:0]          | A2/3 ROW[1:0]            | A2/3 COL[1:0]               |                      |                             |
| 11 (32 bits)           | 10 (13 bits)             | 01 (9 bits)                 |                      |                             |
| Output Pin of This LSI | Row Address Output Cycle | Column Address Output Cycle | Synchronous DRAM Pin | Function                    |
| A17                    | A26                      | A17                         |                      | Unused                      |
| A16                    | A25 <sup>*2*3</sup>      | A25 <sup>*2*3</sup>         | A14 (BA1)            | Specifies bank              |
| A15                    | A24 <sup>*2</sup>        | A24 <sup>*2</sup>           | A13 (BA0)            |                             |
| A14                    | A23                      | A14                         | A12                  | Address                     |
| A13                    | A22                      | A13                         | A11                  |                             |
| A12                    | A21                      | L/H <sup>*1</sup>           | A10/AP               | Specifies address/precharge |
| A11                    | A20                      | A11                         | A9                   | Address                     |
| A10                    | A19                      | A10                         | A8                   |                             |
| A9                     | A18                      | A9                          | A7                   |                             |
| A8                     | A17                      | A8                          | A6                   |                             |
| A7                     | A16                      | A7                          | A5                   |                             |
| A6                     | A15                      | A6                          | A4                   |                             |
| A5                     | A14                      | A5                          | A3                   |                             |
| A4                     | A13                      | A4                          | A2                   |                             |
| A3                     | A12                      | A3                          | A1                   |                             |
| A2                     | A11                      | A2                          | A0                   |                             |
| A1                     | A10                      | A1                          |                      | Unused                      |
| A0                     | A9                       | A0                          |                      |                             |

Example of connected memory

512-Mbit product (4 Mwords x 32 bits x 4 banks, column 9 bits product): 1 device

256-Mbit product (4 Mwords x 16 bits x 4 banks, column 9 bits product): 2 devices

- Notes:
1. L/H is a bit used in the command specification; it is fixed at L or H according to the access mode.
  2. Bank address specification
  3. Only the  $\overline{\text{RASL}}$  pin is asserted because the A25 pin specified the bank address.  $\overline{\text{RASU}}$  is not asserted.

**Table 7.13 Relationship between A2/3BSZ[1:0], A2/3ROW[1:0], and Address Multiplex Output (4)-1**

| Setting                |                          |                             | Synchronous DRAM Pin | Function                    |
|------------------------|--------------------------|-----------------------------|----------------------|-----------------------------|
| A2/3 BSZ[1:0]          | A2/3 ROW[1:0]            | A2/3 COL[1:0]               |                      |                             |
| 10 (16 bits)           | 00 (11 bits)             | 00 (8 bits)                 |                      |                             |
| Output Pin of This LSI | Row Address Output Cycle | Column Address Output Cycle |                      |                             |
| A17                    | A25                      | A17                         |                      | Unused                      |
| A16                    | A24                      | A16                         |                      |                             |
| A15                    | A23                      | A15                         |                      |                             |
| A14                    | A22                      | A14                         |                      |                             |
| A13                    | A21 <sup>*2</sup>        | A21 <sup>*2</sup>           | A12 (BA1)            | Specifies bank              |
| A12                    | A20 <sup>*2</sup>        | A20 <sup>*2</sup>           | A11 (BA0)            |                             |
| A11                    | A19                      | L/H <sup>*1</sup>           | A10/AP               | Specifies address/precharge |
| A10                    | A18                      | A10                         | A9                   | Address                     |
| A9                     | A17                      | A9                          | A8                   |                             |
| A8                     | A16                      | A8                          | A7                   |                             |
| A7                     | A15                      | A7                          | A6                   |                             |
| A6                     | A14                      | A6                          | A5                   |                             |
| A5                     | A13                      | A5                          | A4                   |                             |
| A4                     | A12                      | A4                          | A3                   |                             |
| A3                     | A11                      | A3                          | A2                   |                             |
| A2                     | A10                      | A2                          | A1                   |                             |
| A1                     | A9                       | A1                          | A0                   |                             |
| A0                     | A8                       | A0                          |                      | Unused                      |

Example of connected memory

16-Mbit product (512 kwords x 16 bits x 2 banks, column 8 bits product): 1 device

Notes: 1. L/H is a bit used in the command specification; it is fixed at L or H according to the access mode.

2. Bank address specification

**Table 7.13 Relationship between A2/3BSZ[1:0], A2/3ROW[1:0], and Address Multiplex Output (4)-2**

| Setting                |                          |                             | Synchronous DRAM Pin | Function                    |
|------------------------|--------------------------|-----------------------------|----------------------|-----------------------------|
| A2/3 BSZ[1:0]          | A2/3 ROW[1:0]            | A2/3 COL[1:0]               |                      |                             |
| 10 (16 bits)           | 01 (12 bits)             | 00 (8 bits)                 |                      |                             |
| Output Pin of This LSI | Row Address Output Cycle | Column Address Output Cycle |                      |                             |
| A17                    | A25                      | A17                         |                      | Unused                      |
| A16                    | A24                      | A16                         |                      |                             |
| A15                    | A23                      | A15                         |                      |                             |
| A14                    | A22* <sup>2</sup>        | A22* <sup>2</sup>           | A13 (BA1)            | Specifies bank              |
| A13                    | A21* <sup>2</sup>        | A21* <sup>2</sup>           | A12 (BA0)            | Address                     |
| A12                    | A20                      | A12                         | A11                  |                             |
| A11                    | A19                      | L/H* <sup>1</sup>           | A10/AP               | Specifies address/precharge |
| A10                    | A18                      | A10                         | A9                   | Address                     |
| A9                     | A17                      | A9                          | A8                   |                             |
| A8                     | A16                      | A8                          | A7                   |                             |
| A7                     | A15                      | A7                          | A6                   |                             |
| A6                     | A14                      | A6                          | A5                   |                             |
| A5                     | A13                      | A5                          | A4                   |                             |
| A4                     | A12                      | A4                          | A3                   |                             |
| A3                     | A11                      | A3                          | A2                   |                             |
| A2                     | A10                      | A2                          | A1                   |                             |
| A1                     | A9                       | A1                          | A0                   |                             |
| A0                     | A8                       | A0                          |                      | Unused                      |

Example of connected memory

64-Mbit product (1 Mword x 16 bits x 4 banks, column 8 bits product): 1 device

Notes: 1. L/H is a bit used in the command specification; it is fixed at L or H according to the access mode.

2. Bank address specification

**Table 7.14 Relationship between A2/3BSZ[1:0], A2/3ROW[1:0], and Address Multiplex Output (5)-1**

| Setting                |                          |                             | Synchronous DRAM Pin | Function                    |
|------------------------|--------------------------|-----------------------------|----------------------|-----------------------------|
| A2/3 BSZ[1:0]          | A2/3 ROW[1:0]            | A2/3 COL[1:0]               |                      |                             |
| 10 (16 bits)           | 01 (12 bits)             | 01 (9 bits)                 |                      |                             |
| Output Pin of This LSI | Row Address Output Cycle | Column Address Output Cycle |                      |                             |
| A17                    | A26                      | A17                         |                      | Unused                      |
| A16                    | A25                      | A16                         |                      |                             |
| A15                    | A24                      | A15                         |                      |                             |
| A14                    | A23*2                    | A23*2                       | A13 (BA1)            | Specifies bank              |
| A13                    | A22*2                    | A22*2                       | A12 (BA0)            |                             |
| A12                    | A21                      | A12                         | A11                  | Address                     |
| A11                    | A20                      | L/H*1                       | A10/AP               | Specifies address/precharge |
| A10                    | A19                      | A10                         | A9                   | Address                     |
| A9                     | A18                      | A9                          | A8                   |                             |
| A8                     | A17                      | A8                          | A7                   |                             |
| A7                     | A16                      | A7                          | A6                   |                             |
| A6                     | A15                      | A6                          | A5                   |                             |
| A5                     | A14                      | A5                          | A4                   |                             |
| A4                     | A13                      | A4                          | A3                   |                             |
| A3                     | A12                      | A3                          | A2                   |                             |
| A2                     | A11                      | A2                          | A1                   |                             |
| A1                     | A10                      | A1                          | A0                   |                             |
| A0                     | A9                       | A0                          |                      | Unused                      |

Example of connected memory

128-Mbit product (2 Mwords x 16 bits x 4 banks, column 9 bits product): 1 device

Notes: 1. L/H is a bit used in the command specification; it is fixed at L or H according to the access mode.

2. Bank address specification

**Table 7.14 Relationship between A2/3BSZ[1:0], A2/3ROW[1:0], and Address Multiplex Output (5)-2**

| Setting                |                          |                             | Synchronous DRAM Pin | Function                    |        |
|------------------------|--------------------------|-----------------------------|----------------------|-----------------------------|--------|
| A2/3 BSZ[1:0]          | A2/3 ROW[1:0]            | A2/3 COL[1:0]               |                      |                             |        |
| 10 (16 bits)           | 01 (12 bits)             | 10 (10 bits)                |                      |                             |        |
| Output Pin of This LSI | Row Address Output Cycle | Column Address Output Cycle |                      |                             |        |
| A17                    | A27                      | A17                         |                      | Unused                      |        |
| A16                    | A26                      | A16                         |                      |                             |        |
| A15                    | A25                      | A15                         |                      |                             |        |
| A14                    | A24* <sup>2</sup>        | A24* <sup>2</sup>           | A13 (BA1)            | Specifies bank              |        |
| A13                    | A23* <sup>2</sup>        | A23* <sup>2</sup>           | A12 (BA0)            |                             |        |
| A12                    | A22                      | A12                         | A11                  | Address                     |        |
| A11                    | A21                      | L/H* <sup>1</sup>           | A10/AP               | Specifies address/precharge |        |
| A10                    | A20                      | A10                         | A9                   | Address                     |        |
| A9                     | A19                      | A9                          | A8                   |                             |        |
| A8                     | A18                      | A8                          | A7                   |                             |        |
| A7                     | A17                      | A7                          | A6                   |                             |        |
| A6                     | A16                      | A6                          | A5                   |                             |        |
| A5                     | A15                      | A5                          | A4                   |                             |        |
| A4                     | A14                      | A4                          | A3                   |                             |        |
| A3                     | A13                      | A3                          | A2                   |                             |        |
| A2                     | A12                      | A2                          | A1                   |                             |        |
| A1                     | A11                      | A1                          | A0                   |                             |        |
| A0                     | A10                      | A0                          |                      |                             | Unused |

Example of connected memory

256-Mbit product (4 Mwords x 16 bits x 4 banks, column 10 bits product): 1 device

Notes: 1. L/H is a bit used in the command specification; it is fixed at L or H according to the access mode.

2. Bank address specification

**Table 7.15 Relationship between A2/3BSZ[1:0], A2/3ROW[1:0], and Address Multiplex Output (6)-1**

| Setting                |                          |                             | Synchronous DRAM Pin | Function                    |
|------------------------|--------------------------|-----------------------------|----------------------|-----------------------------|
| A2/3 BSZ[1:0]          | A2/3 ROW[1:0]            | A2/3 COL[1:0]               |                      |                             |
| 10 (16 bits)           | 10 (13 bits)             | 01 (9 bits)                 |                      |                             |
| Output Pin of This LSI | Row Address Output Cycle | Column Address Output Cycle |                      |                             |
| A17                    | A26                      | A17                         |                      | Unused                      |
| A16                    | A25                      | A16                         |                      |                             |
| A15                    | A24 <sup>*2</sup>        | A24 <sup>*2</sup>           | A14 (BA1)            | Specifies bank              |
| A14                    | A23 <sup>*2</sup>        | A23 <sup>*2</sup>           | A13 (BA0)            |                             |
| A13                    | A22                      | A13                         | A12                  | Address                     |
| A12                    | A21                      | A12                         | A11                  |                             |
| A11                    | A20                      | L/H <sup>*1</sup>           | A10/AP               | Specifies address/precharge |
| A10                    | A19                      | A10                         | A9                   | Address                     |
| A9                     | A18                      | A9                          | A8                   |                             |
| A8                     | A17                      | A8                          | A7                   |                             |
| A7                     | A16                      | A7                          | A6                   |                             |
| A6                     | A15                      | A6                          | A5                   |                             |
| A5                     | A14                      | A5                          | A4                   |                             |
| A4                     | A13                      | A4                          | A3                   |                             |
| A3                     | A12                      | A3                          | A2                   |                             |
| A2                     | A11                      | A2                          | A1                   |                             |
| A1                     | A10                      | A1                          | A0                   |                             |
| A0                     | A9                       | A0                          |                      | Unused                      |

Example of connected memory

256-Mbit product (4 Mwords x 16 bits x 4 banks, column 9 bits product): 1 device

Notes: 1. L/H is a bit used in the command specification; it is fixed at L or H according to the access mode.

2. Bank address specification



**Table 7.15 Relationship between A2/3BSZ[1:0], A2/3ROW[1:0], and Address Multiplex Output (6)-2**

| Setting                |                          |                             | Synchronous DRAM Pin | Function                    |
|------------------------|--------------------------|-----------------------------|----------------------|-----------------------------|
| A2/3 BSZ[1:0]          | A2/3 ROW[1:0]            | A2/3 COL[1:0]               |                      |                             |
| 10 (16 bits)           | 10 (13 bits)             | 10 (10 bits)                |                      |                             |
| Output Pin of This LSI | Row Address Output Cycle | Column Address Output Cycle |                      |                             |
| A17                    | A27                      | A17                         |                      | Unused                      |
| A16                    | A26                      | A16                         |                      |                             |
| A15                    | A25 <sup>*2*3</sup>      | A25 <sup>*2*3</sup>         | A14 (BA1)            | Specifies bank              |
| A14                    | A24 <sup>*2</sup>        | A24 <sup>*2</sup>           | A13 (BA0)            |                             |
| A13                    | A23                      | A13                         | A12                  | Address                     |
| A12                    | A22                      | A12                         | A11                  |                             |
| A11                    | A21                      | L/H <sup>*1</sup>           | A10/AP               | Specifies address/precharge |
| A10                    | A20                      | A10                         | A9                   | Address                     |
| A9                     | A19                      | A9                          | A8                   |                             |
| A8                     | A18                      | A8                          | A7                   |                             |
| A7                     | A17                      | A7                          | A6                   |                             |
| A6                     | A16                      | A6                          | A5                   |                             |
| A5                     | A15                      | A5                          | A4                   |                             |
| A4                     | A14                      | A4                          | A3                   |                             |
| A3                     | A13                      | A3                          | A2                   |                             |
| A2                     | A12                      | A2                          | A1                   |                             |
| A1                     | A11                      | A1                          | A0                   |                             |
| A0                     | A10                      | A0                          |                      | Unused                      |

Example of connected memory

512-Mbit product (8 Mwords x 16 bits x 4 banks, column 10 bits product): 1 device

Notes: 1. L/H is a bit used in the command specification; it is fixed at L or H according to the access mode.

2. Bank address specification

3. Only the RAS $\bar{L}$  pin is asserted because the A25 pin specified the bank address.  $\overline{\text{RASU}}$  is not asserted.

### 7.8.3 Burst Read

A burst read occurs in the following cases in this LSI.

- 16-byte transfer in cache miss.
- 16-byte transfer in DMAC (access to non-cacheable region)
- Access size in reading is larger than data bus width.

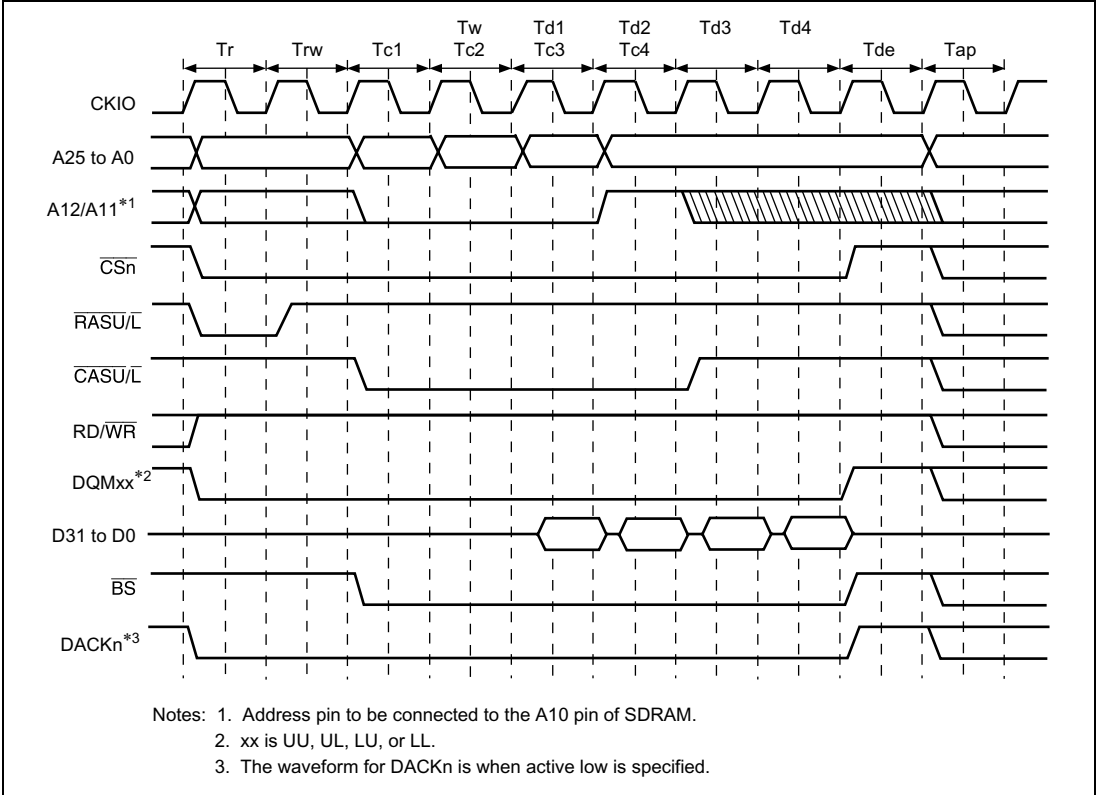
This LSI always accesses the SDRAM with burst length 1. For example, read access of burst length 1 is performed consecutively 4 times to read 16-byte continuous data from the SDRAM that is connected to a 32-bit data bus.

Table 7.16 shows the relationship between the access size and the number of bursts.

**Table 7.16 Relationship between Access Size and Number of Bursts**

| <b>Bus Width</b> | <b>Access Size</b> | <b>Number of Bursts</b> |
|------------------|--------------------|-------------------------|
| 16 bits          | 8 bits             | 1                       |
|                  | 16 bits            | 1                       |
|                  | 32 bits            | 2                       |
|                  | 16 bits            | 8                       |
| 32 bits          | 8 bits             | 1                       |
|                  | 16 bits            | 1                       |
|                  | 32 bits            | 1                       |
|                  | 16 bits            | 4                       |

Figure 7.16 shows a timing chart in burst read. In burst read, an ACTV command is output in the Tr cycle, the READ command is issued in the Tc1, Tc2, and Tc3 cycles, the READA command is issued in the Tc4 cycle, and the read data is received at the rising edge of the external clock (CKIO) in the Td1 to Td4 cycles. The Tap cycle is used to wait for the completion of an auto-precharge induced by the READ command in the SDRAM. In the Tap cycle, a new command will not be issued to the same bank. However, access to another CS space or another bank in the same SDRAM space is enabled. The number of Tap cycles is specified by the TRP[1:0] bits of the CS3WCR register.

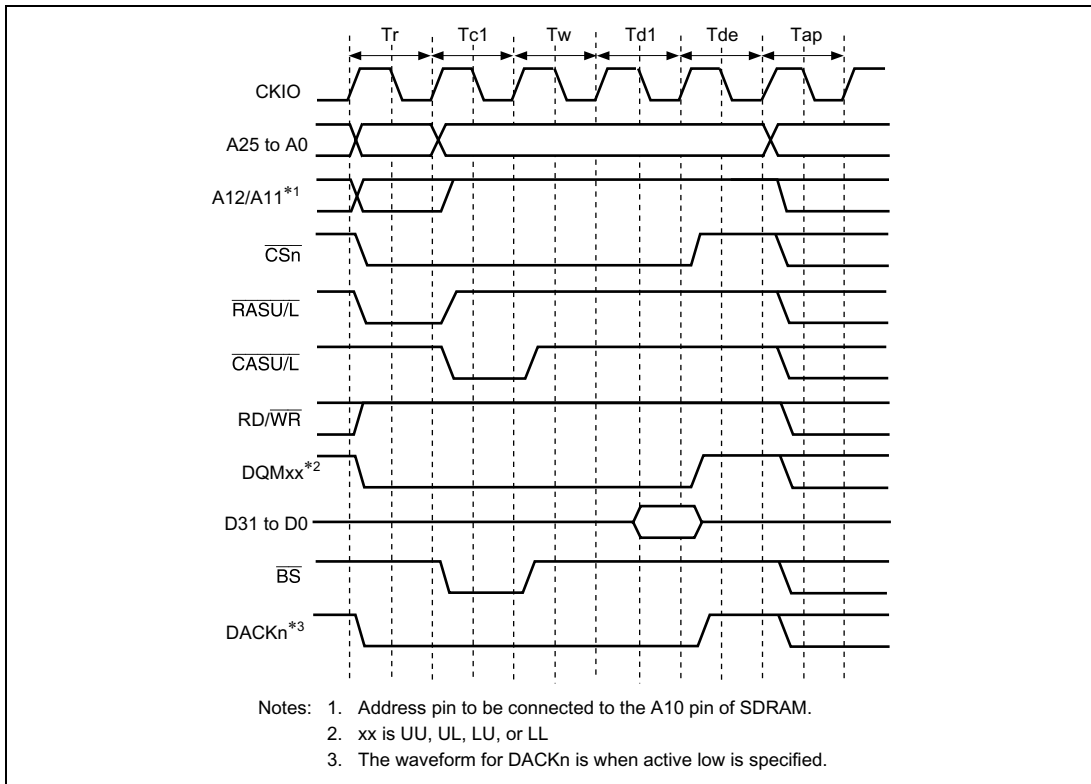


**Figure 7.16 Synchronous DRAM Burst Read Wait Specification Timing (Auto Precharge)**

## 7.8.4 Single Read

A read access ends in one cycle when data exists in non-cacheable region and the data bus width is larger than or equal to access size. As the burst length is set to 1 in synchronous DRAM burst read/single write mode, only the required data is output. Consequently, no unnecessary bus cycles are generated even when a cache-through area is accessed.

Figure 7.17 shows the basic timing chart for single read.



**Figure 7.17 Basic Timing for Single Read (Auto Precharge)**

### 7.8.5 Burst Write

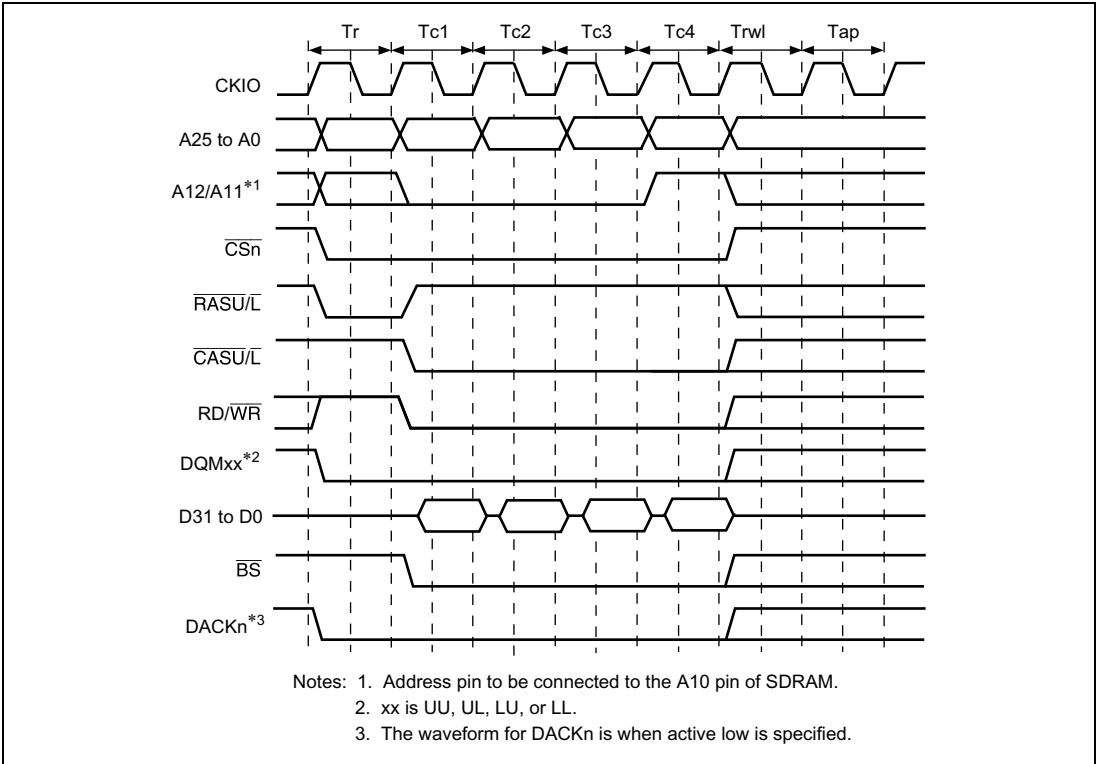
A burst write occurs in the following cases in this LSI.

- Copyback of the cache
- 16-byte transfer in DMAC (access to non-cacheable region)
- Access size in writing is larger than data bus width.

This LSI always accesses SDRAM with burst length 1. For example, write access of burst length 1 is performed continuously 4 times to write 16-byte continuous data to the SDRAM that is connected to a 32-bit data bus.

The relationship between the access size and the number of bursts is shown in table 7.16.

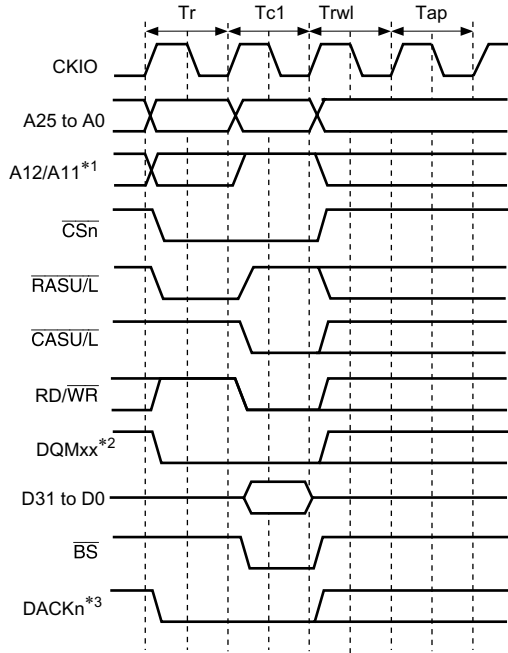
Figure 7.18 shows a timing chart for burst writes. In burst write, an ACTV command is output in the Tr cycle, the WRIT command is issued in the Tc1, Tc2, and Tc3 cycles, and the WRITA command is issued to execute an auto-precharge in the Tc4 cycle. In the write cycle, the write data is output simultaneously with the write command. After the write command with the auto-precharge is output, the Trw1 cycle that waits for the auto-precharge initiation is followed by the Tap cycle that waits for completion of the auto-precharge induced by the WRITA command in the SDRAM. In the Tap cycle, a new command will not be issued to the same bank. However, access to another CS space or another bank in the same SDRAM space is enabled. The number of Trw1 cycles is specified by the TRWL[1:0] bits of the CS3WCR register. The number of Tap cycles is specified by the TRP[1:0] bits of the CS3WCR register.



**Figure 7.18 Basic Timing for Synchronous DRAM Burst Write (Auto Precharge)**

## 7.8.6 Single Write

A write access ends in one cycle when data is written in non-cacheable region and the data bus width is larger than or equal to access size. This is called single write. Figure 7.19 shows the basic timing chart for single write.



- Notes: 1. Address pin to be connected to the A10 pin of SDRAM.  
2. xx is UU, UL, LU, or LL.  
3. The waveform for DACKn is when active low is specified.

**Figure 7.19 Basic Timing for Single Write (Auto Precharge)**

### 7.8.7 Bank Active

The synchronous DRAM bank function is used to support high-speed accesses to the same row address. When the BACTV bit in SDCR is 1, accesses are performed using commands (READ, WRIT) without auto-precharge. This function is called bank-active function. This function is valid only for either the upper or lower bits of area 3. When area 3 is set to bank-active mode, area 2 should be set to normal space or byte-selection SRAM. When areas 2 and 3 are both set to SDRAM or both the upper and lower bits of area 3 are connected to SDRAM, auto pre-charge mode must be set. In this case, precharging is not performed when the access ends. When accessing the same row address in the same bank, it is possible to issue the READ or WRIT command immediately, without issuing an ACTV command. As synchronous DRAM is internally divided into several banks, it is possible to activate one row address in each bank. If the next access is to a different row address, a PRE command is first issued to precharge the relevant bank, then when precharging is completed, the access is performed by issuing an ACTV command followed by a READ or WRIT command. If this is followed by an access to a different row address, the access time will be longer because of the precharging performed after the access request is issued.

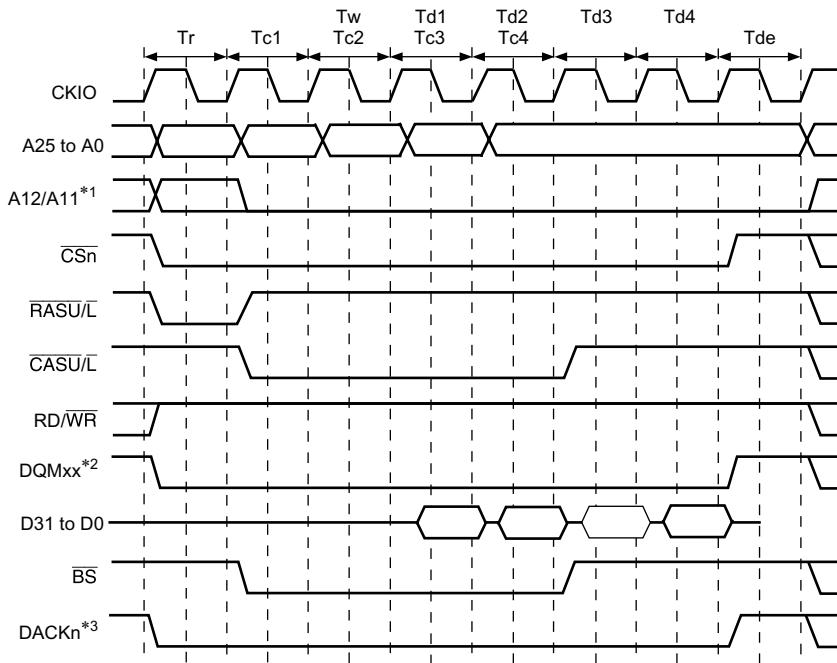
In a write, when auto-precharge is performed, a command cannot be issued for a period of  $Trwl + Tpc$  cycles after issuance of the WRITA command. When bank active mode is used, READ or WRIT commands can be issued successively if the row address is the same. The number of cycles can thus be reduced by  $Trwl + Tpc$  cycles for each write.

There is a limit on  $t_{RAS}$ , the time for placing each bank in the active state. If there is no guarantee that there will not be a cache hit and another row address will be accessed within the period in which this value is maintained by program execution, it is necessary to set auto-refresh and set the refresh cycle to no more than the maximum value of  $t_{RAS}$ .

A burst read cycle without auto-precharge is shown in figure 7.20, a burst read cycle for the same row address in figure 7.21, and a burst read cycle for different row addresses in figure 7.22. Similarly, a burst write cycle without auto-precharge is shown in figure 7.23, a single write cycle for the same row address in figure 7.24, and a single write cycle for different row addresses in figure 7.25.

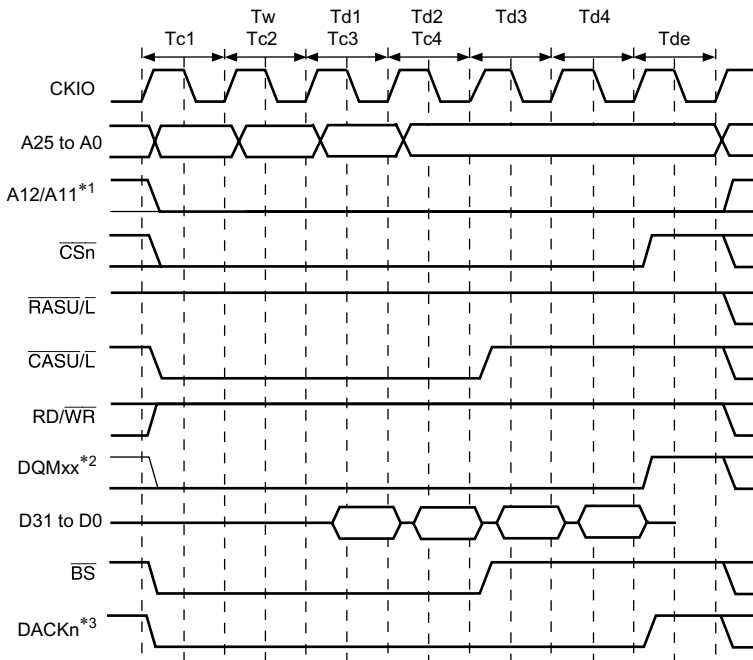
When bank active mode is set, if only accesses to the respective banks in the area 3 space are considered, as long as accesses to the same row address continue, the operation starts with the cycle in figure 7.20 or 7.23, followed by repetition of the cycle in figure 7.21 or 7.24. An access to a different area during this time has no effect. If there is an access to a different row address in the bank active state, after this is detected the bus cycle in figure 7.22 or 7.25 is executed instead of that in figure 7.21 or 7.24. In bank active mode, too, all banks become inactive after a refresh cycle or after the bus is released as the result of bus arbitration.





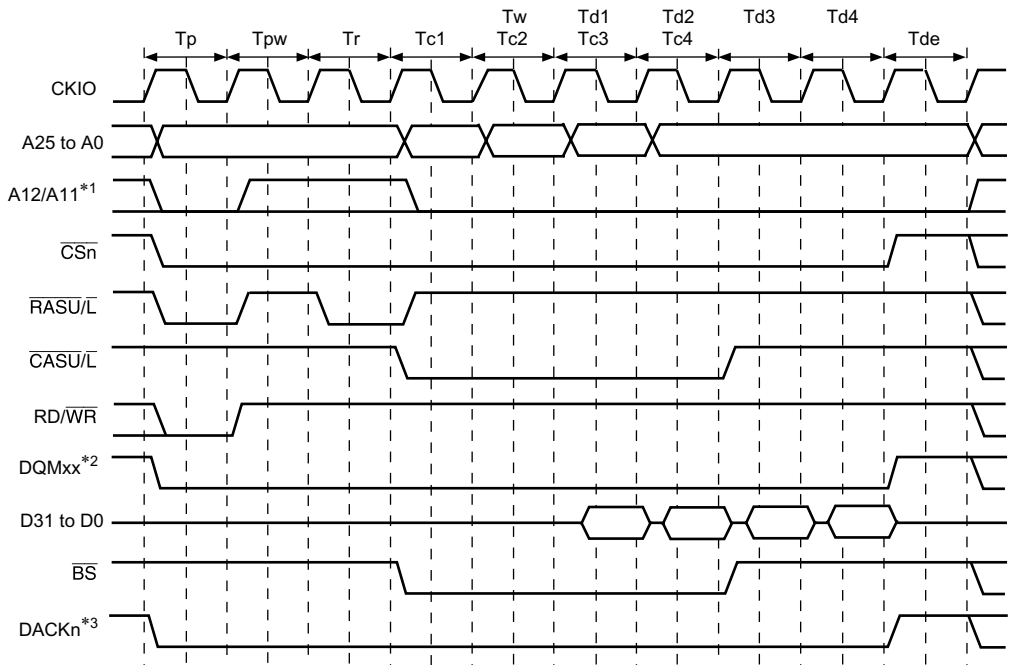
- Notes: 1. Address pin to be connected to the A10 pin of SDRAM.  
 2. xx is UU, UL, LU, or LL.  
 3. The waveform for DACKn is when active low is specified.

**Figure 7.20 Burst Read Timing (No Auto Precharge)**



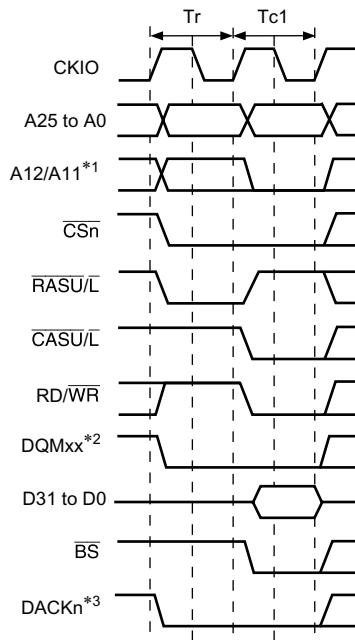
- Notes: 1. Address pin to be connected to the A10 pin of SDRAM.  
 2. xx is UU, UL, LU, or LL.  
 3. The waveform for DACKn is when active low is specified.

**Figure 7.21 Burst Read Timing (Bank Active, Same Row Address)**



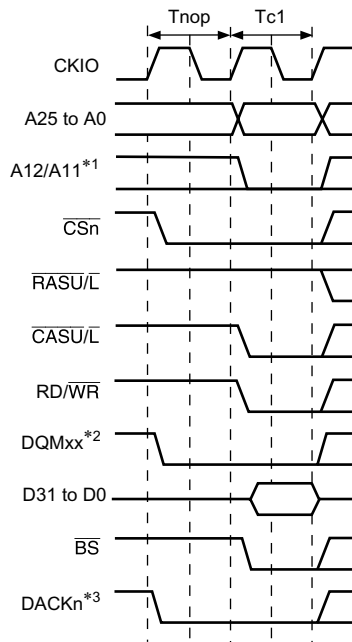
- Notes: 1. Address pin to be connected to the A10 pin of SDRAM.  
 2. xx is UU, UL, LU, or LL.  
 3. The waveform for DACKn is when active low is specified.

**Figure 7.22 Burst Read Timing (Bank Active, Different Row Addresses)**



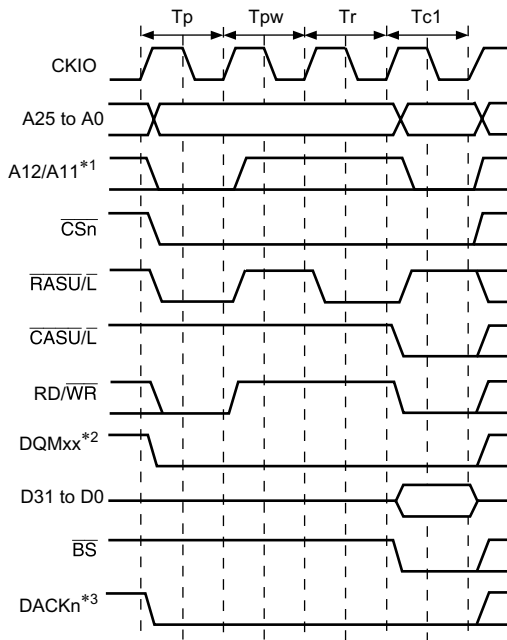
- Notes: 1. Address pin to be connected to the A10 pin of SDRAM.  
 2. xx is UU, UL, LU, or LL.  
 3. The waveform for DACKn is when active low is specified.

**Figure 7.23 Single Write Timing (No Auto Precharge)**



- Notes: 1. Address pin to be connected to the A10 pin of SDRAM.  
 2. xx is UU, UL, LU, or LL.  
 3. The waveform for DACKn is when active low is specified.

**Figure 7.24 Single Write Timing (Bank Active, Same Row Address)**



- Notes: 1. Address pin to be connected to the A10 pin of SDRAM.  
 2. xx is UU, UL, LU, or LL.  
 3. The waveform for DACKn is when active low is specified.

**Figure 7.25 Single Write Timing (Bank Active, Different Row Addresses)**

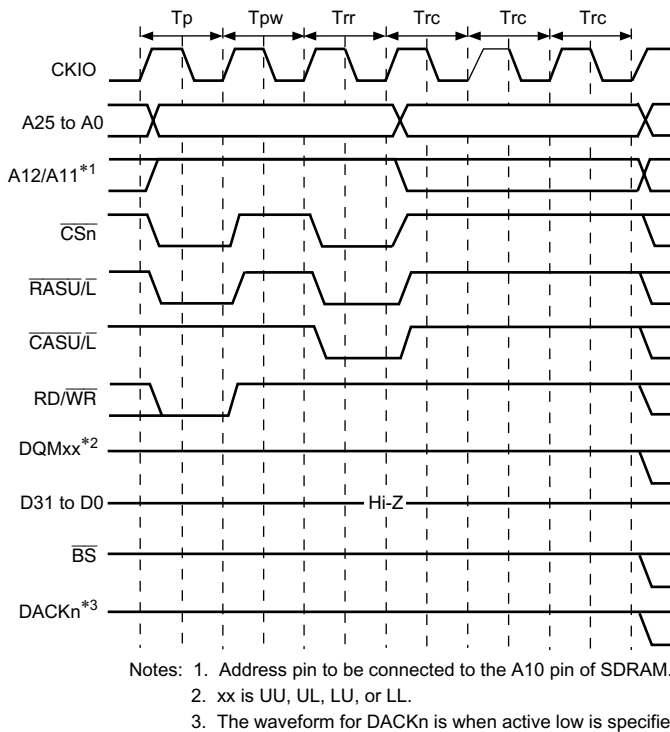
### 7.8.8 Refreshing

This LSI has a function for controlling synchronous DRAM refreshing. Auto-refreshing can be performed by clearing the RMODE bit to 0 and setting the RFSH bit to 1 in SDCR. A continuous refreshing can be performed by setting the RRC[2:0] bits in RTCSR. If synchronous DRAM is not accessed for a long period, self-refresh mode, in which the power consumption for data retention is low, can be activated by setting both the RMODE bit and the RFSH bit to 1.

#### 1. Auto-refreshing

Refreshing is performed for the number of times specified by bits RRC[2:0] in RTCSR at intervals determined by the input clock selected by bits CKS[2:0] in RTCSR, and the value set in RTCOR. The value of these bits should be set so as to satisfy the refresh interval stipulation for the synchronous DRAM used. First make the settings for RTCOR, RTCNT, and the RMODE and RFSH bits in SDCR, then make bits CKS[2:0] and RRC[2:0] settings in RTCSR. When the clock is selected by bits CKS[2:0], RTCNT starts counting up from the value at that time. The RTCNT value is constantly compared with the RTCOR value, and if the two values are the same, a refresh request is generated and auto-refresh is performed for the number of times specified by bits RRC[2:0]. At the same time, RTCNT is cleared to zero and the count-up is restarted. Figure 7.26 shows the auto-refresh cycle timing.

After starting, the auto refreshing, PALL command is issued in the  $T_p$  cycle to make all the banks to pre-charged state from active state when some bank is being pre-charged. Then REF command is issued in the  $T_{rr}$  cycle after inserting idle cycles of which number is specified by the TRP[1:0] bits in CSnWCR. A new command is not issued for the duration of the number of cycles specified by the TRC[1:0] bits in CSnWCR after the  $T_{rr}$  cycle. The TRC[1:0] bits must be set so as to satisfy the SDRAM refreshing cycle time stipulation ( $t_{RC}$ ). A NOP cycle is inserted between the  $T_p$  cycle and  $T_{rr}$  cycle when the setting value of the TRP[1:0] bits in CSnWCR is longer than or equal to 2 cycles.



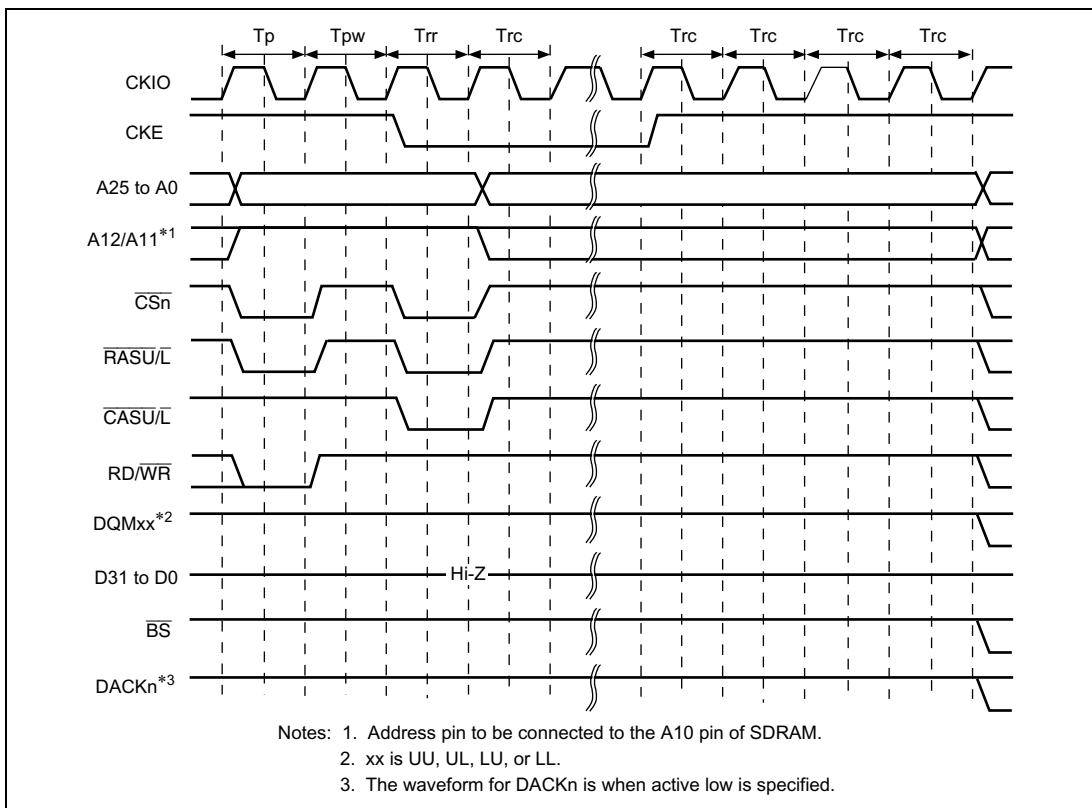
**Figure 7.26 Auto-Refresh Timing**

## 2. Self-refreshing

Self-refresh mode in which the refresh timing and refresh addresses are generated within the synchronous DRAM. Self-refreshing is activated by setting both the RMODE bit and the RFSH bit in SDCR to 1. After starting the self-refreshing, PALL command is issued in  $T_p$  cycle after the completion of the pre-charging bank. A SELF command is then issued after inserting idle cycles of which number is specified by the TRP[1:0] bits in CSnWSR. Synchronous DRAM cannot be accessed while in the self-refresh state. Self-refresh mode is cleared by clearing the RMODE bit to 0. After self-refresh mode has been cleared, command issuance is disabled for the number of cycles specified by the TRC[1:0] bits in CSnWCR. Self-refresh timing is shown in figure 7.27. Settings must be made so that self-refresh clearing and data retention are performed correctly, and auto-refreshing is performed at the correct intervals. When self-refreshing is activated from the state in which auto-refreshing is set, auto-refreshing is restarted if the RFSH bit is set to 1 and the RMODE bit is cleared to 0 when self-refresh mode is cleared. If the transition from clearing of self-refresh mode to the start of auto-refreshing takes time, this time should be taken into consideration when setting the initial value of RTCNT. Making the RTCNT value 1 less than the RTCOR value will enable refreshing to be started immediately.



After self-refreshing has been set, the self-refresh state continues even if the chip standby state is entered using the LSI standby function, and is maintained even after recovery from standby mode other than through a power-on reset. In case of a power-on reset, the bus state controller's registers are initialized, and therefore the self-refresh state is cleared.



**Figure 7.27 Self-Refresh Timing**

### 3. Relationship between refresh requests and bus cycle

If a refresh request is generated during a bus cycle, refresh waits for the bus cycle to be completed. If a refresh request is generated while the bus is released by the bus arbitration function, refresh waits for the bus mastership to be obtained.

If a new refresh request is generated while refresh is waiting, the first refresh request is canceled. To perform refresh correctly, the bus cycle and the bus-owned period must be shorter than the refresh interval.

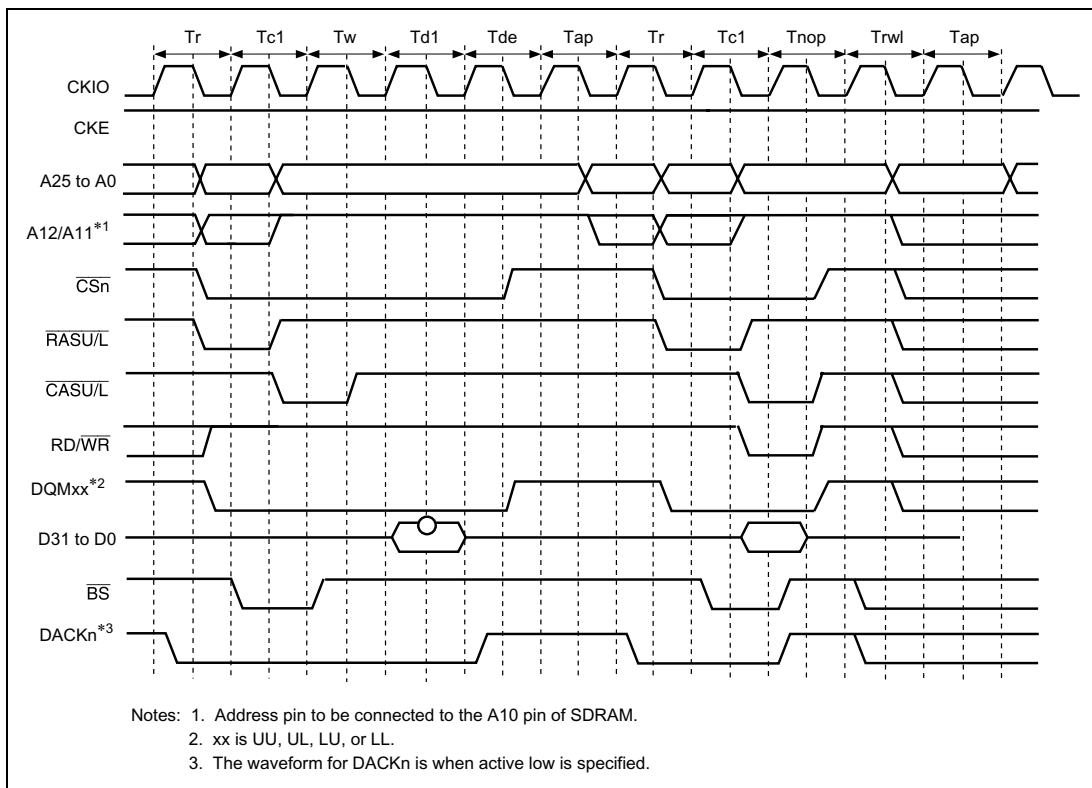
If a bus request is issued during self-refreshing, the bus is not released until the refresh is completed.

## 7.8.9 Low-Frequency Mode

When the SLOW bit in SDCR is set to 1, output of commands, addresses, and write data, and fetch of read data are performed at a timing suitable for operating SDRAM at a low frequency.

Figure 7.28 shows the access timing in low-frequency mode. In this mode, commands, addresses, and write data are output in synchronization with the falling edge of CKIO, which is half a cycle delayed than the normal timing. Read data is fetched at the rising edge of CKIO, which is half a cycle faster than the normal timing. This timing allows the hold time of commands, addresses, write data, and read data to be extended.

If SDRAM is operated at a high frequency with the SLOW bit set to 1, the setup time of commands, addresses, write data, and read data are not guaranteed. Take the operating frequency and timing design into consideration when making the SLOW bit setting.



**Figure 7.28 Low-Frequency Mode Access Timing**

### 7.8.10 Power-On Sequence

In order to use synchronous DRAM, mode setting must first be performed after powering on. To perform synchronous DRAM initialization correctly, the bus state controller registers must first be set, followed by a write to the synchronous DRAM mode register. In synchronous DRAM mode register setting, the address signal value at that time is latched by a combination of the  $\overline{CSn}$ ,  $\overline{RAS}$ ,  $\overline{CAS}$ , and  $RD/\overline{WR}$  signals. If the value to be set is X, the bus state controller provides for value X to be written to the synchronous DRAM mode register by performing a write to address H'A4FD4000 + X for area 2 synchronous DRAM, and to address H'A4FD5000 + X for area 3 synchronous DRAM. In this operation the data is ignored, but the mode write is performed as a word-size access. To set burst read/single write, CAS latency 2 to 3, wrap type = sequential, and burst length 1 supported by the LSI, arbitrary data is written in a word-size access to the addresses shown in table 7.17. In this time 0 is output at the external address pins of A12 or later.

**Table 7.17 Access Address in SDRAM Mode Register Write**

(1) Setting for Area 2 (SDMR2)

Burst read/single write (burst length 1):

| Data Bus Width | CAS Latency | Access Address | External Address Pin |
|----------------|-------------|----------------|----------------------|
| 16 bits        | 2           | H'A4FD4440     | H'0000440            |
|                | 3           | H'A4FD4460     | H'0000460            |
| 32 bits        | 2           | H'A4FD4880     | H'0000880            |
|                | 3           | H'A4FD48C0     | H'00008C0            |

Burst read/burst write (burst length 1):

| Data Bus Width | CAS Latency | Access Address | External Address Pin |
|----------------|-------------|----------------|----------------------|
| 16 bits        | 2           | H'A4FD4040     | H'0000040            |
|                | 3           | H'A4FD4060     | H'0000060            |
| 32 bits        | 2           | H'A4FD4080     | H'0000080            |
|                | 3           | H'A4FD40C0     | H'00000C0            |

## (2) Setting for Area 3 (SDMR3)

Burst read/single write (burst length 1):

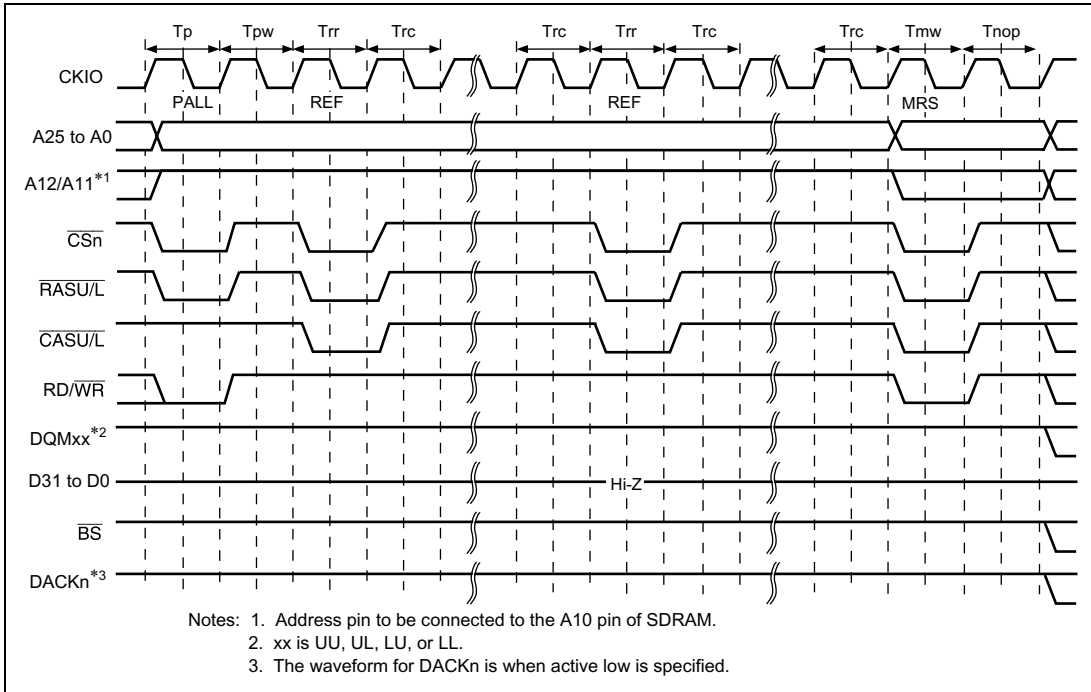
| Data Bus Width | CAS Latency | Access Address | External Address Pin |
|----------------|-------------|----------------|----------------------|
| 16 bits        | 2           | H'A4FD5440     | H'0000440            |
|                | 3           | H'A4FD5460     | H'0000460            |
| 32 bits        | 2           | H'A4FD5880     | H'0000880            |
|                | 3           | H'A4FD58C0     | H'00008C0            |

Burst read/burst write (burst length 1):

| Data Bus Width | CAS Latency | Access Address | External Address Pin |
|----------------|-------------|----------------|----------------------|
| 16 bits        | 2           | H'A4FD5040     | H'0000040            |
|                | 3           | H'A4FD5060     | H'0000060            |
| 32 bits        | 2           | H'A4FD5080     | H'0000080            |
|                | 3           | H'A4FD50C0     | H'00000C0            |

Mode register setting timing is shown in figure 7.29. A PALL command (all bank pre-charge command) is firstly issued. A REF command (auto refresh command) is then issued 8 times. An MRS command (mode register write command) is finally issued. Idle cycles, of which number is specified by the TRP[1:0] bits in CSnWCR, are inserted between the PALL and the first REF. Idle cycles, of which number is specified by the TRC[1:0] bits in CSnWCR, are inserted between REF and REF, and between the 8th REF and MRS. Idle cycles, of which number is one or more, are inserted between the MRS and a command to be issued next.

It is necessary to keep idle time of certain cycles for SDRAM before issuing PALL command after power-on. Refer the manual of the SDRAM for the idle time to be needed. When the pulse width of the reset signal is longer than the idle time, mode register setting can be started immediately after the reset, but care should be taken when the pulse width of the reset signal is shorter than the idle time.



**Figure 7.29 Synchronous DRAM Mode Write Timing (Based on JEDEC)**

## 7.9 Burst ROM Interface

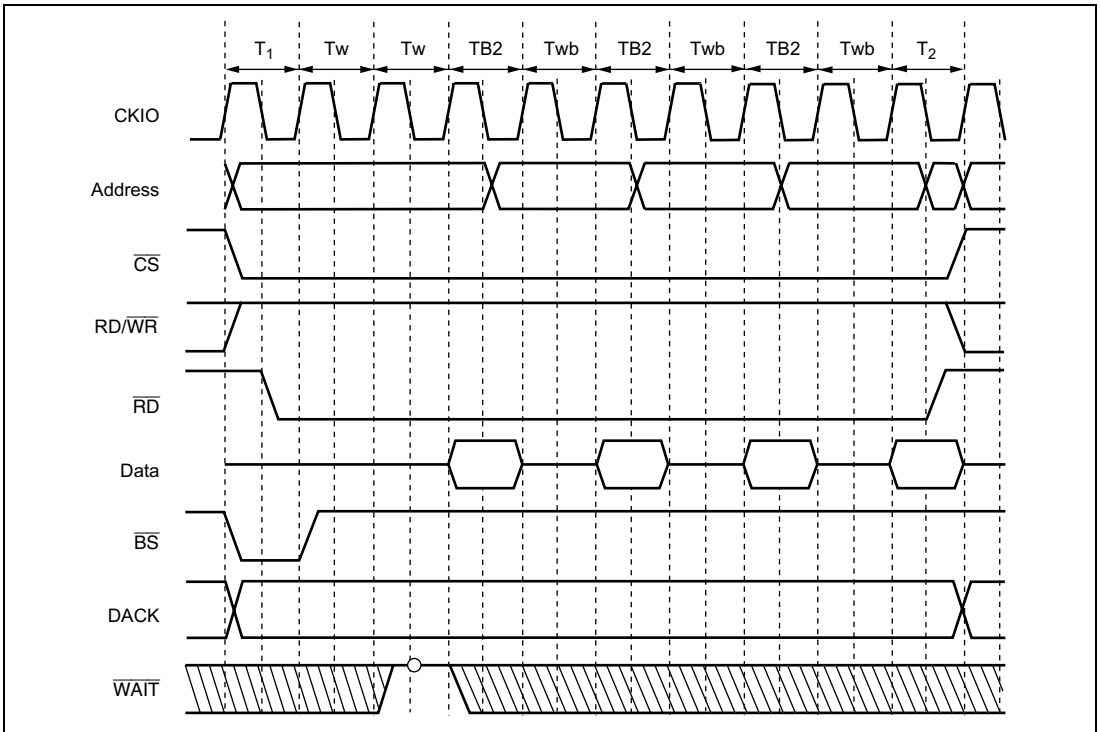
The burst ROM interface is provided to access ROM that has the page mode function, such as flash memory, in high speed. Basically the access to the ROM is performed in the same way as for normal space. When the first cycle is terminated, however, negation of the  $\overline{RD}$  signal is not executed. The accesses after the 2nd access are performed by exchanging only the address. In the accesses after the 2nd access, the address is changed at the falling edge of CKIO.

The number of wait cycles specified by the W[3:0] bits in CSnWCR are inserted for the first access cycle. The number of wait cycles specified by the BW[1:0] bits in CSnWCR are inserted for the second and subsequent access cycles.

In the access to the burst ROM, the  $\overline{BS}$  signal is asserted only to the first access cycle. An external wait input is valid only to the first access cycle. In the single access or write access that do not perform the burst operation in the burst ROM interface, access timing is same as a normal space. Table 7.18 lists a relationship between bus width, access size, and the number of bursts. Figure 7.30 shows a timing chart.

**Table 7.18 Relationship between Bus Width, Access Size, and Number of Bursts**

| Bus Width | Access Size | Number of Bursts |
|-----------|-------------|------------------|
| 8 bits    | 8 bits      | 1                |
|           | 16 bits     | 2                |
|           | 32 bits     | 4                |
|           | 16 bytes    | 16               |
| 16 bits   | 8 bits      | 1                |
|           | 16 bits     | 1                |
|           | 32 bits     | 2                |
|           | 16 bytes    | 8                |

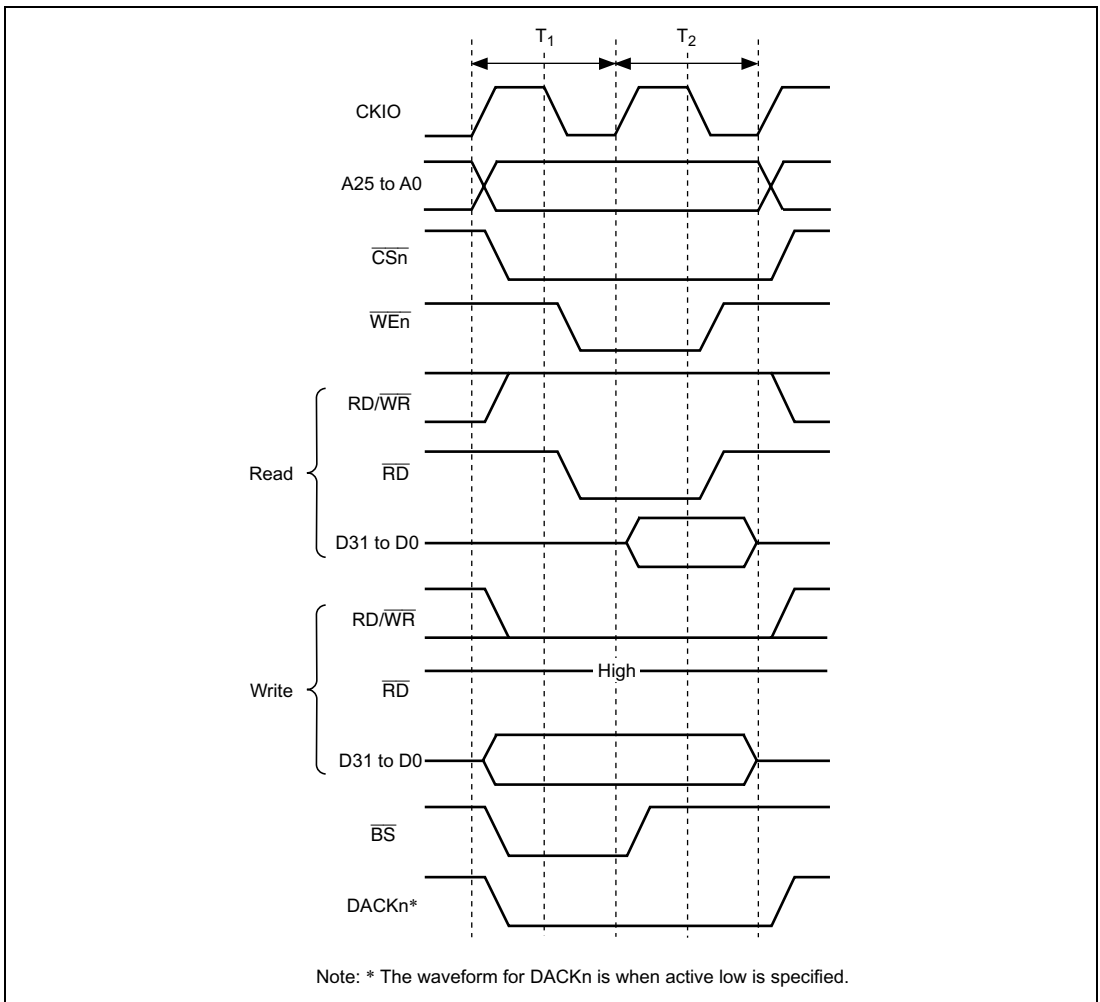


**Figure 7.30 Burst ROM Access (Bus Width 8 Bits, Access Size 32 Bits (Number of Burst 4), Access Wait for the 1st Time 2, Access Wait for 2nd Time and after 1)**

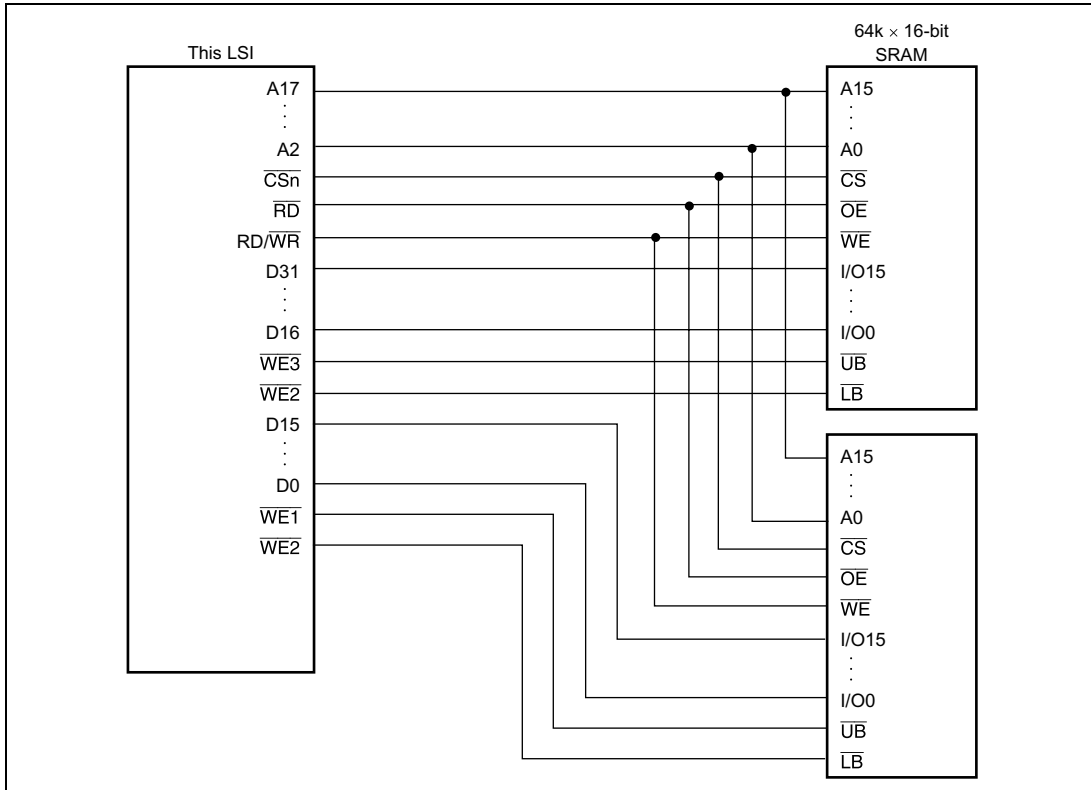
## 7.10 Byte-Selection SRAM Interface

The byte-selection SRAM interface is for outputting the byte-selection signal ( $\overline{WEn}$ ) in both read and write bus cycles. This interface has 16-bit data pins and accesses SRAM that has an upper byte-selection pin and a lower byte-selection pin, such as UB and LB. The write access timing is the same as that for the normal space interface. The read access timing differs from that for the normal space interface in the  $\overline{WEn}$  timing, and a byte-selection signal is output from the  $\overline{WEn}$  pin. The basic access timing is shown in figure 7.31.

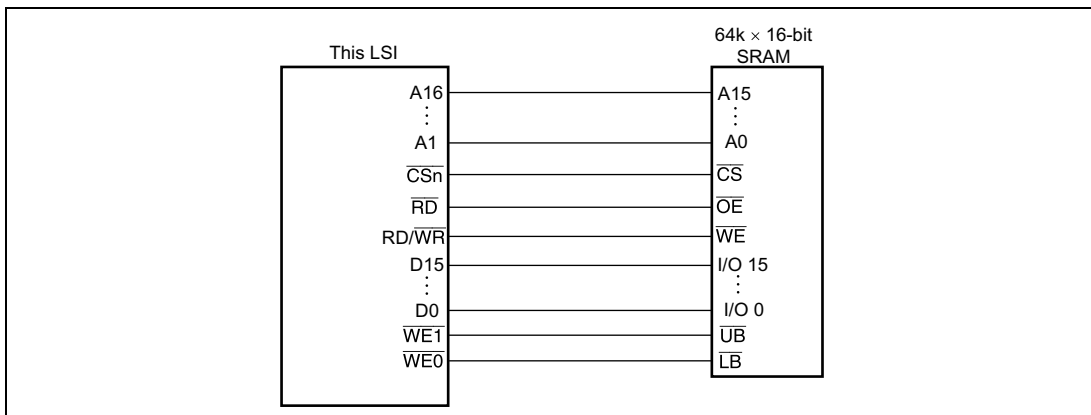
Note that in a write cycle, data is written in accordance with the byte-selection pin ( $\overline{WEn}$ ) timing. Check the data sheet of the memory to be used for the actual timing.



**Figure 7.31 Byte-Selection SRAM Basic Access Timing**



**Figure 7.32 Example of Connection with 32-Bit Data-Width Byte-Selection SRAM**



**Figure 7.33 Example of Connection with 16-Bit Data-Width Byte-Selection SRAM**



## 7.11 Wait between Access Cycles

As the operating frequency of LSIs becomes higher, the off-operation of the data buffer often collides with the next data access when the read operation from devices with slow access speed is completed. As a result of these collisions, the reliability of the device is low and malfunctions may occur. A function that avoids data collisions by inserting wait cycles between continuous access cycles has been newly added.

The number of wait cycles between access cycles can be set by bits IWW[1:0], IWRWD[1:0], IWRWS[1:0], IWRRD[1:0], and IWRRS[1:0] in CSnBCR, and bits DMAIW[1:0] and DMAIWA in CMNCR. The conditions for setting the wait cycles between access cycles (idle cycles) are shown below.

1. Continuous accesses are write-read or write-write
2. Continuous accesses are read-write for different spaces
3. Continuous accesses are read-write for the same space
4. Continuous accesses are read-read for different spaces
5. Continuous accesses are read-read for the same space
6. Data output from an external device caused by DMA single transfer is followed by data output from another device that includes this LSI (DMAIWA = 0)
7. Data output from an external device caused by DMA single transfer is followed by any type of access (DMAIWA = 1)

## 7.12 Bus Arbitration

This LSI supports bus arbitration. This LSI has bus mastership in the normal state and releases bus mastership after receiving a bus request from another device.

To prevent device malfunction while the bus mastership is transferred between master and slave, the LSI negates all of the bus control signals before bus release. When the bus mastership is received, all of the bus control signals are first negated and then driven appropriately. In this case, output buffer conflicts can be prevented because the master and slave drive the same signals with the same values. In addition, to prevent noise while the bus control signal is in the high-impedance state, pull-up resistors must be connected to these control signals.

Bus mastership is transferred at the boundary of bus cycles. Namely, bus mastership is released immediately after receiving a bus request when a bus cycle is not being performed. The release of bus mastership is delayed until the bus cycle is complete when a bus cycle is in progress. Even when from outside the LSI it looks like a bus cycle is not being performed, a bus cycle may be performing internally, started by inserting wait cycles between access cycles. Therefore, it cannot be immediately determined whether or not bus mastership has been released by looking at the  $\overline{\text{CSn}}$  signal or other bus control signals. The states that do not allow bus mastership release are shown below.

1. 16-byte transition because of a cache miss
2. During copyback operation for the cache
3. Between the read and write cycles of a TAS instruction
4. Multiple bus cycles generated when data bus width is smaller than the access size (For example, between bus cycles when longword access is made to memory with a data bus width of 8 bits.)
5. 16-byte transfer by the DMAC

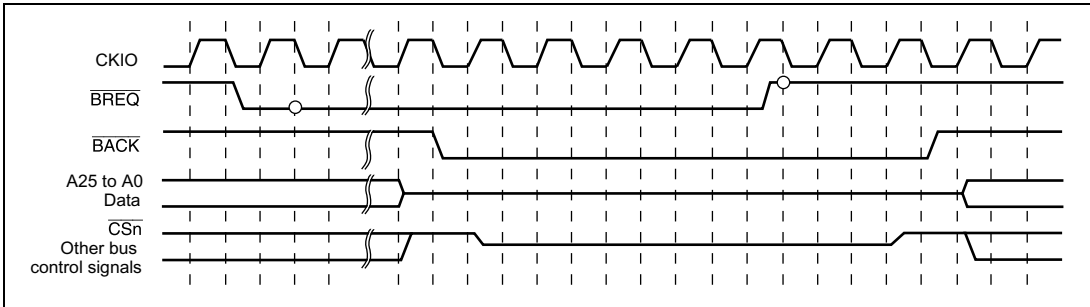
If self-refresh mode is specified for the SDRAM, the master device cannot release the bus. If the master clock stops because a transition is underway to standby mode or the frequency is changed, or if this LSI is being reset, the master device cannot release the bus. To prevent the slave from issuing bus requests in such a case, the slave must be put into the sleep state so that no slave access cycles are generated.

The refresh request and bus request are accepted during the DMA burst transfer.

Bus mastership is maintained until a new bus request is received. Bus mastership is released immediately after the completion of the bus cycle in progress when an external bus request ( $\overline{\text{BREQ}}$ ) is asserted (low level) and a bus acknowledge signal ( $\overline{\text{BACK}}$ ) is asserted (low level). Bus use is resumed when a negation (high level) of  $\overline{\text{BREQ}}$ , which shows that the slave has released the bus, has been received.

SDRAM issues all bank pre-charge commands (PALLs) when active banks exist and releases the bus after completion of a PALL command.

The bus release sequence is as follows. The address bus and data bus are placed in a high-impedance state synchronized with the rising edge of CKIO. The bus mastership enable signal is asserted 0.5 cycles after the above timing, synchronized with the falling edge of CKIO. Bus control signals ( $\overline{\text{BS}}$ ,  $\overline{\text{CSn}}$ ,  $\overline{\text{RASU}}$ ,  $\overline{\text{RASL}}$ ,  $\overline{\text{CASU}}$ ,  $\overline{\text{CASL}}$ ,  $\overline{\text{DQMxx}}$ ,  $\overline{\text{WEn}}$ ,  $\overline{\text{RD}}$ , and  $\overline{\text{RD/WR}}$ ) are made to the high-impedance states at the subsequent rising edge of CKIO. Bus request signals are sampled at the falling edge of CKIO. The sequence for re-claiming bus mastership from a slave is described below. After detecting the negation of  $\overline{\text{BREQ}}$  at the falling edge of CKIO, the bus enable signal is negated at the subsequent falling edge of the clock. The address and data signals are driven at the subsequent rising edge of CKIO. Figure 7.34 shows the bus arbitration timing.



**Figure 7.34 Bus Arbitration**

In an original slave device designed by the user, multiple bus accesses are generated continuously to reduce the overhead caused by bus arbitration. In this case, to execute SDRAM refresh correctly, the slave device must be designed to release the bus mastership within the refresh interval time.

The bus release by the  $\overline{\text{BREQ}}$  and  $\overline{\text{BACK}}$  signal handshaking requires some overhead. If the slave has many tasks, multiple bus cycles should be executed in a bus mastership acquisition. Reducing the cycles required for master to slave bus mastership transitions streamlines the system design.

## 7.13 Others

**Reset:** The bus state controller (BSC) can be initialized completely only at power-on reset. At power-on reset, all signals are negated and output buffers are turned off regardless of the bus cycle state. All control registers are initialized.

In standby, sleep, and manual reset, control registers of the bus state controller are not initialized. At manual reset, the current bus cycle being executed is completed and then the access wait state is entered. Since the RTCNT continues counting up during manual reset signal assertion, a refresh request occurs to initiate the refresh cycle.

Note that arbitration requests using  $\overline{\text{BREQ}}$  are not accepted during manual reset signal assertion.

**On-Chip Peripheral Module Access:** To access an on-chip module register, two or more peripheral module clock (P $\phi$ ) cycles are required. Care must be taken in system design.



# Section 8 Direct Memory Access Controller (DMAC)

This LSI includes the direct memory access controller (DMAC). The DMAC can be used in place of the CPU to perform high-speed transfers between external devices with DACK (transfer request acknowledge signal), external memory, memory-mapped external devices, and on-chip peripheral modules.

## 8.1 Features

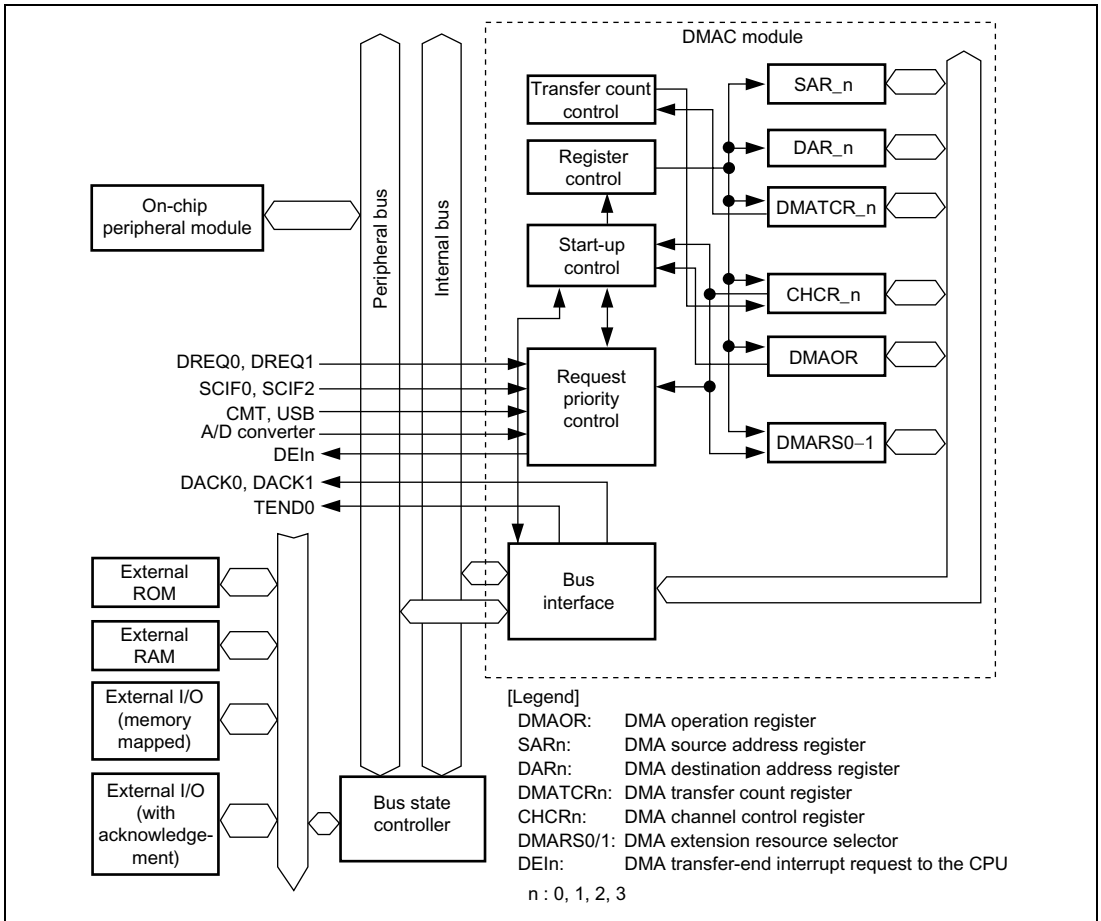
- Four channels (two channels can receive an external request)
- 4-Gbyte physical address space
- Data transfer unit: Byte, word (2 bytes), longword (4 bytes), and 16 bytes (longword × 4)
- Maximum transfer count: 16777216 transfers
- Address mode: Dual address mode or single address mode can be selected.
- Transfer requests: External request, on-chip peripheral module request, or auto request can be selected.

The following modules can issue an on-chip peripheral module request.

SCIF0, SCIF2, CMT, USB, and A/D converter

- Bus modes: Cycle steal mode (normal mode and intermittent mode 16/64) or burst mode can be selected.
- Selectable channel priority levels:  
The channel priority levels are selectable between fixed mode and round-robin mode.
- Interrupt request: An interrupt request can be generated to the CPU after transfers end.
- External request detection: Low-/high-level or rising/falling edge detection of DREQ input can be selected.
- Transfer request acknowledge signal: Active levels for DACK can be set independently.
- Transfer end signal: Active level for TEND can be set. TEND is output at the same timing as DACK in the last DMA transfer. (Only channel 0)

Figure 8.1 shows the block diagram of the DMAC.



**Figure 8.1 Block Diagram of DMAC**

## 8.2 Input/Output Pins

The external pins for the DMAC are described below.

Table 8.1 lists the configuration of the pins that are connected to external bus. The DMAC has pins for 2 channels (channels 0 and 1) for external bus use. Channel 0 has the DMA transfer end signal.

**Table 8.1 Pin Configuration**

| Channel | Name                             | Symbol | I/O | Function  |
|---------|----------------------------------|--------|-----|---|
| 0       | DMA transfer request             | DREQ0  | I   | DMA transfer request input from external device to channel 0              |
|         | DMA transfer request acknowledge | DACK0  | O   | DMA transfer request acknowledge output from channel 0 to external device |
|         | DMA transfer end                 | TEND0  | O   | Transfer end output in channel 0  |
| 1       | DMA transfer request             | DREQ1  | I   | DMA transfer request input from external device to channel 1              |
|         | DMA transfer request acknowledge | DACK1  | O   | DMA transfer request acknowledge output from channel 1 to external device |

## 8.3 Register Descriptions

The DMAC has the following registers. See section 24, List of Registers, for the addresses of these registers and the states of them in each processing state. The SAR for channel 0 is expressed such as SAR\_0.

### 1. Channel 0

- DMA source address register\_0 (SAR\_0)
- DMA destination address register\_0 (DAR\_0)
- DMA transfer count register\_0 (DMATCR\_0)
- DMA channel control register\_0 (CHCR\_0)

### 2. Channel 1

- DMA source address register\_1 (SAR\_1)
- DMA destination address register\_1 (DAR\_1)
- DMA transfer count register\_1 (DMATCR\_1)
- DMA channel control register\_1 (CHCR\_1)

### 3. Channel 2

- DMA source address register\_2 (SAR\_2)
- DMA destination address register\_2 (DAR\_2)
- DMA transfer count register\_2 (DMATCR\_2)
- DMA channel control register\_2 (CHCR\_2)

### 4. Channel 3

- DMA source address register\_3 (SAR\_3)
- DMA destination address register\_3 (DAR\_3)
- DMA transfer count register\_3 (DMATCR\_3)
- DMA channel control register\_3 (CHCR\_3)

### 5. Common

- DMA operation register (DMAOR)
- DMA extended resource selector 0 (DMARS0)
- DMA extended resource selector 1 (DMARS1)

## 8.3.1 DMA Source Address Registers (SAR)

SAR are 32-bit readable/writable registers that specify the source address of a DMA transfer. During a DMA transfer, these registers indicate the next source address. When the data of an external device with DACK is transferred in single address mode, SAR is ignored.

To transfer data in 16 bits or in 32 bits, specify the address with 16-bit or 32-bit address boundary. When transferring data in 16-byte units, a 16-byte boundary must be set for the source address value. The initial value is undefined. The SAR retains the current value in software standby or module standby mode.

## 8.3.2 DMA Destination Address Registers (DAR)

DAR are 32-bit readable/writable registers that specify the destination address of a DMA transfer. During a DMA transfer, these registers indicate the next destination address. When the data of an external device with DACK is transferred in single address mode, DAR is ignored.

To transfer data in 16 bits or in 32 bits, specify the address with 16-bit or 32-bit address boundary. When transferring data in 16-byte units, a 16-byte boundary must be set for the source address value. The initial value is undefined. The DAR retains the current value in software standby or module standby mode.



### 8.3.3 DMA Transfer Count Registers (DMATCR)

DMATCR are 32-bit readable/writable registers that specify the DMA transfer count. The number of transfers is 1 when the setting is H'00000001, 16,777,215 when H'00FFFFFF is set, and 16,777,216 (the maximum) when H'00000000 is set. During a DMA transfer, these registers indicate the remaining transfer count.

The upper 8 bits of DMATCR are always read as 0. The write value should always be 0. To transfer data in 16 bytes, one 16-byte transfer (128 bits) counts one. The initial value is undefined. The DMATCR retains the current value in software standby or module standby mode.

### 8.3.4 DMA Channel Control Registers (CHCR)

CHCR are 32-bit readable/writable registers that control the DMA transfer mode.

| Bit      | Bit Name | Initial Value | R/W | Descriptions   |
|----------|----------|---------------|-----|--|
| 31 to 24 | —        | 0             | R   | Reserved<br>These bits are always read as 0. The write value should always be 0.   |
| 23       | DO       | 0             | R/W | DMA Overrun<br>Selects whether DREQ is detected by overrun 0 or by overrun 1. This bit is valid only in CHCR_0 and CHCR_1. This bit is always read as 0 in CHCR_2 and CHCR_3. The write value should always be 0.<br>0: Detects DREQ by overrun 0<br>1: Detects DREQ by overrun 1  |
| 22       | TL       | 0             | R/W | Transfer End Level<br>Selects whether the TEND signal output is high active or low active. This bit is valid only in CHCR_0. There are no TEND pins in CHCR_1 to CHCR_3. Therefore this setting is invalid. This bit is always read as 0. The write value should always be 0.<br>0: Low-active output of TEND<br>1: High-active output of TEND |
| 21 to 18 | —        | 0             | R   | Reserved<br>These bits are always read as 0. The write value should always be 0.   |

| Bit | Bit Name | Initial Value | R/W | Descriptions   |
|-----|----------|---------------|-----|--|
| 17  | AM       | 0             | R/W | <p><b>Acknowledge Mode</b></p> <p>Selects whether DACK is output in data read cycle or in data write cycle in dual address mode.</p> <p>In single address mode, DACK is always output regardless of the specification by this bit.</p> <p>This bit is valid only in CHCR_0 and CHCR_1. This bit is always read as 0 in CHCR_2 and CHCR_3. The write value should always be 0.</p> <p>0: DACK output in read cycle (Dual address mode)<br/>1: DACK output in write cycle (Dual address mode)</p>  |
| 16  | AL       | 0             | R/W | <p><b>Acknowledge Level</b></p> <p>Specifies the DACK signal output is high active or low active.</p> <p>This bit is valid only in CHCR_0 and CHCR_1. This bit is always read as 0 in CHCR_2 and CHCR_3. The write value should always be 0.</p> <p>0: Low-active output of DACK<br/>1: High-active output of DACK</p>   |
| 15  | DM1      | 0             | R/W | <p><b>Destination Address Mode</b></p>   |
| 14  | DM0      | 0             | R/W | <p>Specify whether the DMA destination address is incremented, decremented, or left fixed. (In single address mode, the DM1 and DM0 bits are ignored when data is transferred to an external device with DACK.)</p> <p>00: Fixed destination address<br/>(setting prohibited in 16-byte transfer)</p> <p>01: Destination address is incremented (+1 in byte-size transfer, +2 in word-size transfer, +4 in longword-size transfer, +16 in 16-byte transfer)</p> <p>10: Destination address is decremented (−1 in byte-size transfer, −2 in word-size transfer, −4 in longword-size transfer, setting prohibited in 16-byte transfer)</p> <p>11: Setting prohibited</p> |

| Bit | Bit Name | Initial Value | R/W | Descriptions   |
|-----|----------|---------------|-----|--|
| 13  | SM1      | 0             | R/W | Source Address Mode  |
| 12  | SM0      | 0             | R/W | Specifies whether the DMA source address is incremented, decremented, or left fixed. (In single address mode, the SM1 and SM0 bits are ignored when data is transferred from an external device with DACK.)<br>00: Fixed source address<br>(setting prohibited in 16-byte transfer)<br>01: Source address is incremented (+1 in byte-size transfer, +2 in word-size transfer, +4 in longword-size transfer, +16 in 16-byte transfer)<br>10: Source address is decremented (–1 in byte-size transfer, –2 in word-size transfer, –4 in longword-size transfer, setting prohibited in 16-byte transfer)<br>11: Setting prohibited   |
| 11  | RS3      | 0             | R/W | Resource Select  |
| 10  | RS2      | 0             | R/W | Specifies which transfer requests will be sent to the DMAC. The changing of transfer request source should be done in the state that the DMA enable bit (DE) is set to 0.  |
| 9   | RS1      | 0             | R/W |  |
| 8   | RS0      | 0             | R/W | 0000: External request, dual address mode<br>0001: Setting prohibited<br>0010: External request/single address mode<br>External address space → external device with DACK<br>0011: External request/single address mode<br>External device with DACK → external address space<br>0100: Auto request<br>0101: Setting prohibited<br>0110: Setting prohibited<br>0111: Setting prohibited<br>1000: DMA extended resource selector specification<br>1001: Setting prohibited<br>1010: Setting prohibited<br>1011: Setting prohibited<br>1100: Setting prohibited<br>1101: Setting prohibited<br>1110: Peripheral module request, A/D converter<br>1111: Peripheral module request, CMT<br>Note: External request specification is valid only in CHCR_0 and CHCR_1. None of the external request specification can be set in channels CHCR_2 and CHCR_3. |

| Bit | Bit Name | Initial Value | R/W | Descriptions  |
|-----|----------|---------------|-----|---|
| 7   | DL       | 0             | R/W | DREQ Level and DREQ Edge Select   |
| 6   | DS       | 0             | R/W | Select the detection method of the DREQ pin input and the detection level.<br><br>These bits are valid only in CHCR_0 and CHCR_1. These bits are always read as 0 in CHCR_2 and CHCR_3. The write value should always be 0.<br><br>In channels 0 and 1, also, if the transfer request source is specified as an on-chip peripheral module or if an auto-request is specified, these bits are invalid.<br>00: DREQ detected in low level<br>01: DREQ detected at falling edge<br>10: DREQ detected in high level<br>11: DREQ detected at rising edge |
| 5   | TB       | 0             | R/W | Transfer Bus Mode<br><br>Specifies the bus mode when DMA transfers data.<br>0: Cycle steal mode<br>1: Burst mode  |
| 4   | TS1      | 0             | R/W | Transfer Size   |
| 3   | TS0      | 0             | R/W | Specify the size of data to be transferred.<br><br>Select the size of data to be transferred when the source or destination is an on-chip peripheral module register of which transfer size is specified.<br>00: Byte size<br>01: Word size (two bytes)<br>10: Longword size (four bytes)<br>11: 16-byte unit (four longword transfers)   |
| 2   | IE       | 0             | R/W | Interrupt Enable<br><br>Specifies whether or not an interrupt request is generated to the CPU at the end of the DMA transfer. Setting this bit to 1 generates an interrupt request (DEI) to the CPU when the TE bit is set to 1.<br>0: Interrupt request disabled<br>1: Interrupt request enabled   |

| Bit | Bit Name | Initial Value | R/W    | Descriptions  |
|-----|----------|---------------|--------|---|
| 1   | TE       | 0             | R/(W)* | <p>Transfer End Flag</p> <p>Indicates that the DMA transfer ends. The TE bit is set to 1 when data transfer ends when DMATCR becomes to 0.</p> <p>The TE bit is not set to 1 in the following cases.</p> <ul style="list-style-type: none"> <li>• DMA transfer ends due to an NMI interrupt or DMA address error before DMATCR becomes to 0.</li> <li>• DMA transfer is ended by clearing the DE bit and the DME bit in the DMA operation register (DMAOR).</li> </ul> <p>This bit can only be cleared by writing 0 after reading 1. Even if the DE bit is set to 1 while this bit is set to 1, transfer is not enabled.</p> <p>0: During the DMA transfer or DMA transfer has been aborted<br/>[Clearing conditions]</p> <ul style="list-style-type: none"> <li>• Writing 0 after reading TE = 1</li> <li>• Power-on reset</li> <li>• Manual reset</li> </ul> <p>1: Data transfer ends by the specified count (DMATCR = 0)</p> |
| 0   | DE       | 0             | R/W    | <p>DMA Enable</p> <p>Enables or disables the DMA transfer. In auto request mode, DMA transfer starts by setting the DE bit and DME bit in DMAOR to 1. In this time, all of the bits TE, NMIF in DMAOR, and AE must be 0. In an external request or peripheral module request, DMA transfer starts if DMA transfer request is generated by the devices or peripheral modules after setting the bits DE and DME to 1. In this case, however, all of the bits TE, NMIF, and AE must be 0 an in the case of auto request mode. Clearing the DE bit to 0 can terminate the DMA transfer.</p> <p>0: DMA transfer disabled</p> <p>1: DMA transfer enabled</p>  |

Note: \* Only 0 can be written for clearing the flags.

### 8.3.5 DMA Operation Register (DMAOR)

DMAOR is a 16-bit readable/writable register that specifies the priority level of channels at the DMA transfer. This register shows the DMA transfer status.

| Bit    | Bit Name | Initial Value | R/W | Description   |
|--------|----------|---------------|-----|---|
| 15, 14 | —        | 0             | R   | Reserved<br>These bits are always read as 0. The write value should always be 0.  |
| 13     | CMS1     | 0             | R/W | Cycle Steal Mode Select   |
| 12     | CMS0     | 0             | R/W | Select either normal mode or intermittent mode in cycle steal mode.<br>It is necessary that all channels' bus modes are set to cycle steal mode to make valid intermittent mode.<br>00: Normal mode<br>01: Setting prohibited<br>10: Intermittent mode 16<br>Executes one DMA transfer in each of 16 clocks of an external bus clock.<br>11: Intermittent mode 64<br>Executes one DMA transfer in each of 64 clocks of an external bus clock. |
| 11, 10 | —        | 0             | R   | Reserved<br>These bits are always read as 0. The write value should always be 0.  |
| 9      | PR1      | 0             | R/W | Priority Mode   |
| 8      | PR0      | 0             | R/W | Select the priority level between channels when there are transfer requests for multiple channels simultaneously.<br>00: CH0 > CH1 > CH2 > CH3<br>01: CH0 > CH2 > CH3 > CH1<br>10: Setting prohibited<br>11: Round-robin mode   |
| 7 to 3 | —        | 0             | R   | Reserved<br>These bits are always read as 0. The write value should always be 0.  |

| Bit | Bit Name | Initial Value | R/W    | Description   |
|-----|----------|---------------|--------|---|
| 2   | AE       | 0             | R/(W)* | <p>Address Error Flag</p> <p>Indicates that an address error occurred by the DMAC. If this bit is set, DMA transfer is not enabled even if the DE bit in CHCR and the DME bit in DMAOR are set to 1. This bit can only be cleared by writing 0 after reading 1.</p> <p>0: No DMAC address error</p> <p>[Clearing conditions]</p> <ul style="list-style-type: none"> <li>• Writing 0 after reading AE = 1</li> <li>• Power-on reset</li> <li>• Manual reset</li> </ul> <p>1: DMAC address error. DMA transfer disabled.</p> <p>[Setting condition]</p> <p>DMAC address error occurrence</p>  |
| 1   | NMIF     | 0             | R/(W)* | <p>NMI Flag</p> <p>Indicates that an NMI interrupt occurred. If this bit is set, DMA transfer is not enabled even if the DE bit in CHCR and the DME bit in DMAOR are set to 1. This bit can only be cleared by writing 0 after reading 1.</p> <p>When the NMI is input, the DMA transfer in progress can be done in one transfer unit. When the DMAC is not in operation, the NMIF bit is set to 1 even if the NMI interrupt was input.</p> <p>0: No NMI interrupt</p> <p>[Clearing conditions]</p> <ul style="list-style-type: none"> <li>• Writing 0 after reading NMIF = 1</li> <li>• Power-on reset</li> <li>• Manual reset</li> </ul> <p>1: NMI input. DMA transfer disabled.</p> <p>[Setting condition]</p> <p>NMI interrupt occurrence</p> |
| 0   | DME      | 0             | R/W    | <p>DMA Master Enable</p> <p>Enables or disables DMA transfers on all channels. If the DME bit and the DE bit in CHCR are set to 1, DMA transfers are enabled. In this time, all of the bits TE in CHCR, NMIF in DMAOR, and AE must be 0. If this bit is cleared during transfer, transfers in all the channels can be terminated.</p> <p>0: Disable DMA transfers on all channels</p> <p>1: Enable DMA transfers on all channels</p>  |

Note: \*Only 0 can be written for clearing the flags.

### 8.3.6 DMA Extended Resource Selectors 0, 1 (DMARS0, DMARS1)

DMARS is a 16-bit readable/writable register that specifies the DMA transfer request sources from peripheral modules in each channel. DMARS0 specifies for channels 0 and 1, DMARS1 for channels 2 and 3. This register can set the transfer request of SCIF0, SCIF2, and USB.

When MID/RID other than the values listed in table 8.2 is set, the operation of this LSI is not guaranteed. The transfer request from DMARS is valid only when the resource select bits (RS3 to RS0) has been set to B'1000 for CHCR\_0 to CHCR\_3. Otherwise, even if DMARS has been set, transfer request source is not accepted.

- DMARS0

| Bit | Bit Name | Initial Value | R/W | Description   |
|-----|----------|---------------|-----|---|
| 15  | C1MID5   | 0             | R/W | Transfer request source module ID5 to ID0 for DMA channel 1 (MID)<br>See table 8.2.     |
| 14  | C1MID4   | 0             | R/W |   |
| 13  | C1MID3   | 0             | R/W |   |
| 12  | C1MID2   | 0             | R/W |   |
| 11  | C1MID1   | 0             | R/W |   |
| 10  | C1MID0   | 0             | R/W |   |
| 9   | C1RID1   | 0             | R/W | Transfer request resource register ID1 to ID0 for DMA channel 1 (RID)<br>See table 8.2. |
| 8   | C1RID0   | 0             | R/W |   |
| 7   | C0MID5   | 0             | R/W | Transfer request source module ID5 to ID0 for DMA channel 0 (MID)<br>See table 8.2      |
| 6   | C0MID4   | 0             | R/W |   |
| 5   | C0MID3   | 0             | R/W |   |
| 4   | C0MID2   | 0             | R/W |   |
| 3   | C0MID1   | 0             | R/W |   |
| 2   | C0MID0   | 0             | R/W |   |
| 1   | C0RID1   | 0             | R/W | Transfer request resource register ID1 to ID0 for DMA channel 0 (RID)<br>See table 8.2. |
| 0   | C0RID0   | 0             | R/W |   |



- DMARS1

| Bit      | Bit Name              | Initial Value | R/W | Description  |
|----------|-----------------------|---------------|-----|--|
| 15 to 10 | C3MID5 to 0<br>C3MID0 | 0             | R/W | Transfer request resource module ID5 to ID0 for DMA channel 3 (MID)<br>See table 8.2.    |
| 9        | C3RID1                | 0             | R/W | Transfer request resource register ID1 and ID0 for DMA channel 3 (RID)<br>See table 8.2. |
| 8        | C3RID0                | 0             | R/W |  |
| 7 to 2   | C2MID5 to 0<br>C2MID0 | 0             | R/W | Transfer request resource module ID5 to ID0 for DMA channel 2 (MID)<br>See table 8.2.    |
| 1        | C2RID1                | 0             | R/W | Transfer request resource register ID1 and ID0 for DMA channel 2 (RID)<br>See table 8.2. |
| 0        | C2RID0                | 0             | R/W |  |

**Table 8.2 Transfer Request Sources**

| Peripheral Module | Setting Value for One Channel (MID + RID) | MID      | RID  | Function |
|-------------------|---|----------|------|----------|
| SCIF0             | H'21                                      | B'001000 | B'01 | Transmit |
|                   | H'22                                      |          | B'10 | Receive  |
| SCIF2             | H'29                                      | B'001010 | B'01 | Transmit |
|                   | H'2A                                      |          | B'10 | Receive  |
| USB               | H'73                                      | B'011100 | B'11 | Transmit |
|                   | H'70                                      |          | B'00 | Receive  |

## 8.4 Operation

When there is a DMA transfer request, the DMAC starts the transfer according to the predetermined channel priority order; when the transfer end conditions are satisfied, it ends the transfer. Transfers can be requested in three modes: auto request, external request, and on-chip peripheral module request. In bus mode, burst mode or cycle steal mode can be selected.

### 8.4.1 Transfer Flow

After the DMA source address registers (SAR), DMA destination address registers (DAR), DMA transfer count registers (DMATCR), DMA channel control registers (CHCR), DMA operation register (DMAOR), and DMA extended resource selector (DMARS) are set, the DMAC transfers data according to the following procedure:

1. Checks to see if transfer is enabled (DE = 1, DME = 1, TE = 0, AE = 0, NMIF = 0)
2. When a transfer request is generated and transfer is enabled, the DMAC transfers 1 transfer unit of data (depending on the TS0 and TS1 settings). For an auto request, the transfer begins automatically when the DE bit and DME bit are set to 1. The DMATCR value will be decremented for each transfer. The actual transfer flows vary by address mode and bus mode.
3. When the specified number of transfer have been completed (when DMATCR reaches 0), the transfer ends normally. If the IE bit in CHCR is set to 1 at this time, a DEI interrupt is sent to the CPU.
4. When an address error or an NMI interrupt is generated, the transfer is aborted. Transfers are also aborted when the DE bit in CHCR or the DME bit in DMAOR are cleared to 0.

Figure 8.2 is a flowchart of this procedure.

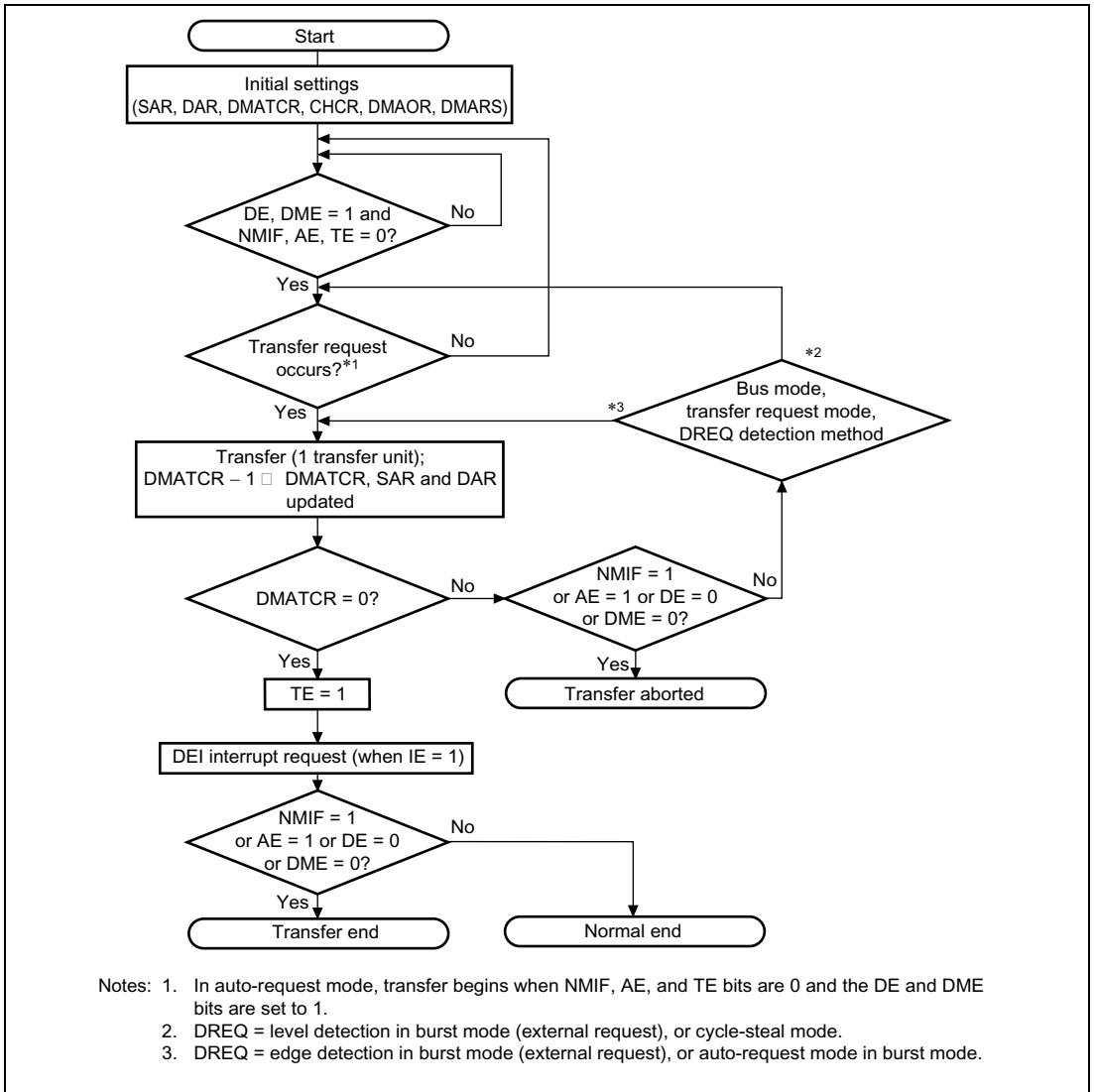


Figure 8.2 DMAC Transfer Flowchart

## 8.4.2 DMA Transfer Requests

DMA transfer requests are basically generated in either the data transfer source or destination, but they can also be generated by external devices and on-chip peripheral modules that are neither the source nor the destination. Transfers can be requested in three modes: auto request, external request, and on-chip peripheral module request. The request mode is selected in the RS3 to RS0 bits in the DMA channel control register (CHCR), and DMARS0 and DMARS1.

**Auto-Request Mode:** When there is no transfer request signal from an external source, as in a memory-to-memory transfer or a transfer between memory and an on-chip peripheral module unable to request a transfer, auto-request mode allows the DMAC to automatically generate a transfer request signal internally. When the DE bit in CHCR and the DME bit in DMAOR are set to 1, the transfer begins so long as the AE and NMIF bits in DMAOR are 0.

**External Request Mode:** In this mode a transfer is performed at the request signals (DREQ0 and DREQ1) of an external device. This mode is valid only in channels 0 and 1. Choose one of the modes shown in table 8.3 according to the application system. When this mode is selected, if the DMA transfer is enabled (DE = 1, DME = 1, TE = 0, AE = 0, NMIF = 0), a transfer is performed upon a request at the DREQ input.

**Table 8.3 Selecting External Request Modes with RS Bits**

| RS3 | RS2 | RS1 | RS0 | Address Mode        | Source   | Destination                                    |
|-----|-----|-----|-----|---------------------|--|--|
| 0   | 0   | 0   | 0   | Dual address mode   | Any  | Any  |
|     |     | 1   | 0   | Single address mode | External memory, memory-mapped external device | External device with DACK                      |
|     |     |     | 1   |                     | External device with DACK                      | External memory, memory-mapped external device |

Choose to detect DREQ by either the edge or level of the signal input with the DL bit and DS bit of CHCR\_0 and CHCR\_1 as shown in table 8.4. The source of the transfer request does not have to be the data transfer source or destination.

**Table 8.4 Selecting External Request Detection with DL, DS Bits**

| CHCR_0 or CHCR_1 |    |                               |
|------------------|----|-------------------------------|
| DL               | DS | Detection of External Request |
| 0                | 0  | Low level detection           |
|                  | 1  | Falling edge detection        |
| 1                | 0  | High level detection          |
|                  | 1  | Rising edge detection         |

When DREQ is accepted, the DREQ pin becomes request accept disabled state. After issuing acknowledge signal DACK for the accepted DREQ, the DREQ pin again becomes request accept enabled state.

When DREQ is used for level detection, there are the following two cases depending on the timing to detect the next DREQ after outputting DACK. A case wherein transfer is aborted after the same number of transfers has been performed as requests (overrun 0) and wherein another transfer is aborted after transfers have been performed for (the number of requests plus 1) times (overrun 1). The DO bit in CHCR selects overrun 0 or overrun 1.

**Table 8.5 Selecting External Request Detection with DO Bit**

| CHCR_0 or CHCR_1 |                  |
|------------------|------------------|
| DO               | External Request |
| 0                | Overrun 0        |
| 1                | Overrun 1        |

**On-Chip Peripheral Module Request Mode:** In this mode a transfer is performed at the transfer request signal of an on-chip peripheral module. Transfer request signals comprise the transmit data empty transfer request and receive data full transfer request from the SCIF0 and SCIF2 set by DMARS0/1, the compare-match timer transfer request from the CMT, and transfer requests from the USB.

When this mode is selected, if the DMA transfer is enabled (DE = 1, DME = 1, TE = 0, AE = 0, NMIF = 0), a transfer is performed upon the input of a transfer request signal.

When a transmit data empty transfer request of the SCIF is set as the transfer request, the transfer destination must be the SCIF's transmit data register. Likewise, when receive data full transfer request of the SCIF is set as the transfer request, the transfer source must be the SCIF's receive data register. These conditions also apply to the USB. Any address can be specified for data source and destination, when transfer request is generated by the CMT.

**Table 8.6 Selecting On-Chip Peripheral Module Request Modes with RS3 to RS0 Bits**

| RS3 | RS2 | RS1 | RS0 | DMA Transfer Request Source | DMA Transfer Request Signal    | Source | Destination | Bus Mode          |
|-----|-----|-----|-----|-----------------------------|--------------------------------|--------|-------------|-------------------|
| 1   | 1   | 1   | 0   | ADC                         | AD-conversion end request      | ADDR   | Any         | Cycle steal       |
| 1   | 1   | 1   | 1   | CMT                         | Compare-match transfer request | Any    | Any         | Burst/cycle steal |

**Table 8.7 Selecting On-Chip Peripheral Module Request Modes with RS3 to RS0 Bits**

| CHCR    | DMARS  |     | DMA Transfer Request Source | DMA Transfer Request Signal        | Source   | Destination | Bus Mode    |
|---------|--------|-----|-----------------------------|------------------------------------|----------|-------------|-------------|
| RS[3:0] | MID    | RID |                             |                                    |          |             |             |
| 1000    | 001000 | 01  | SCIF0 transmitter           | TXI0<br>(transmit FIFO data empty) | Any      | SCFTDR_0    | Cycle steal |
|         |        | 10  | SCIF0 receiver              | RXI0<br>(receive FIFO data full)   | SCFRDR_0 | Any         | Cycle steal |
|         | 001010 | 01  | SCIF2 transmitter           | TXI2<br>(transmit FIFO data empty) | Any      | SCFTDR_2    | Cycle steal |
|         |        | 10  | SCIF2 receiver              | RXI2<br>(receive FIFO data full)   | SCFRDR_2 | Any         | Cycle steal |
|         | 011100 | 11  | USB transmitter             | EP2 FIFO empty transfer request    | Any      | EPDR2       | Cycle steal |
|         |        | 00  | USB receiver                | EP1 FIFO full transfer request     | EPDR1    | Any         | Cycle steal |

### 8.4.3 Channel Priority

When the DMAC receives simultaneous transfer requests on two or more channels, it selects a channel according to a predetermined priority order. Two modes (fixed mode and round-robin mode) are selected by bits PR1 and PR0 in the DMA operation register (DMAOR).

**Fixed Mode:** In these modes, the priority levels among the channels remain fixed. There are two kinds of fixed modes as follows:

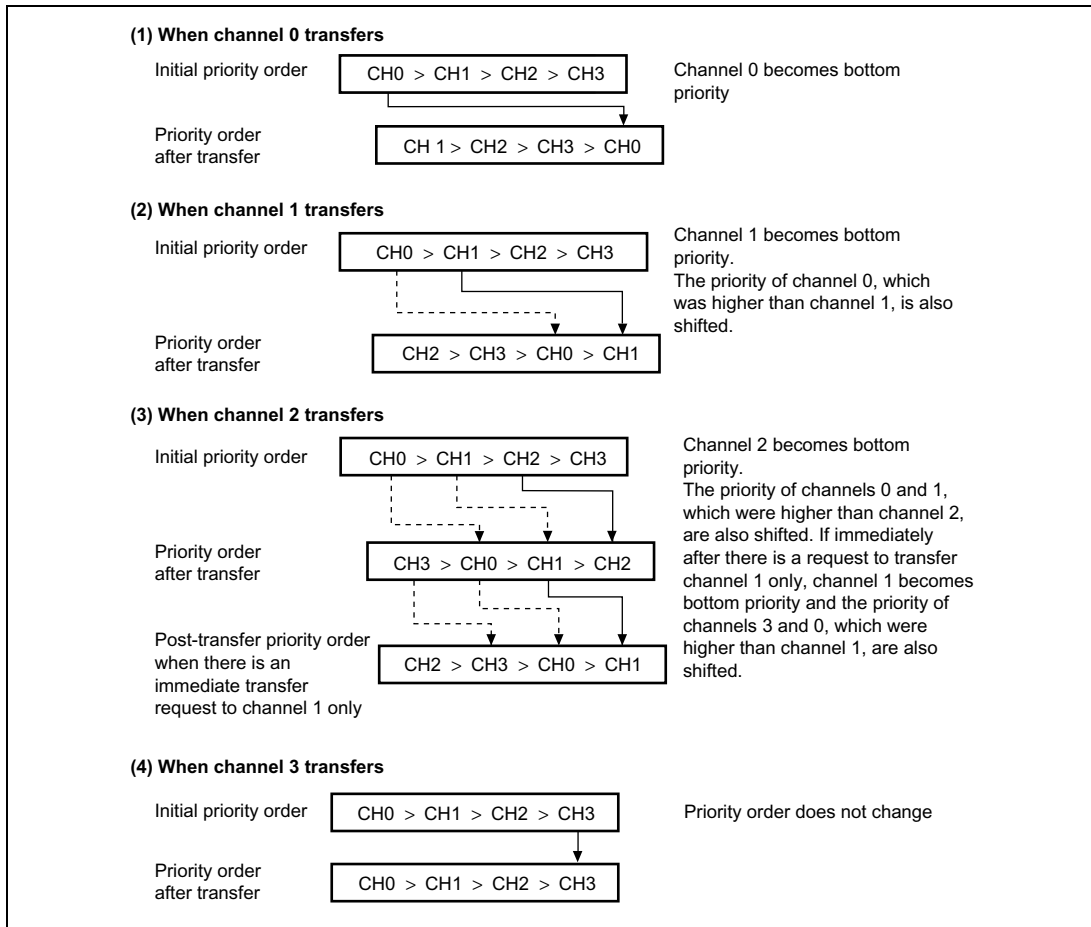
CH0 > CH1 > CH2 > CH3

CH0 > CH2 > CH3 > CH1

These are selected by the PR1 and the PR0 bits in the DMA operation register (DMAOR).

**Round-Robin Mode:** Each time one byte, word, longword, or 16-byte is transferred on one channel, the priority order is rotated. The channel on which the transfer was just finished rotates to the bottom of the priority order. The round-robin mode operation is shown in figure 8.3. The priority of round-robin mode is CH0 > CH1 > CH2 > CH3 immediately after a reset.

When the round-robin mode is specified, cycle-steal mode and burst mode should not be mixed among the bus modes for multiple channels.

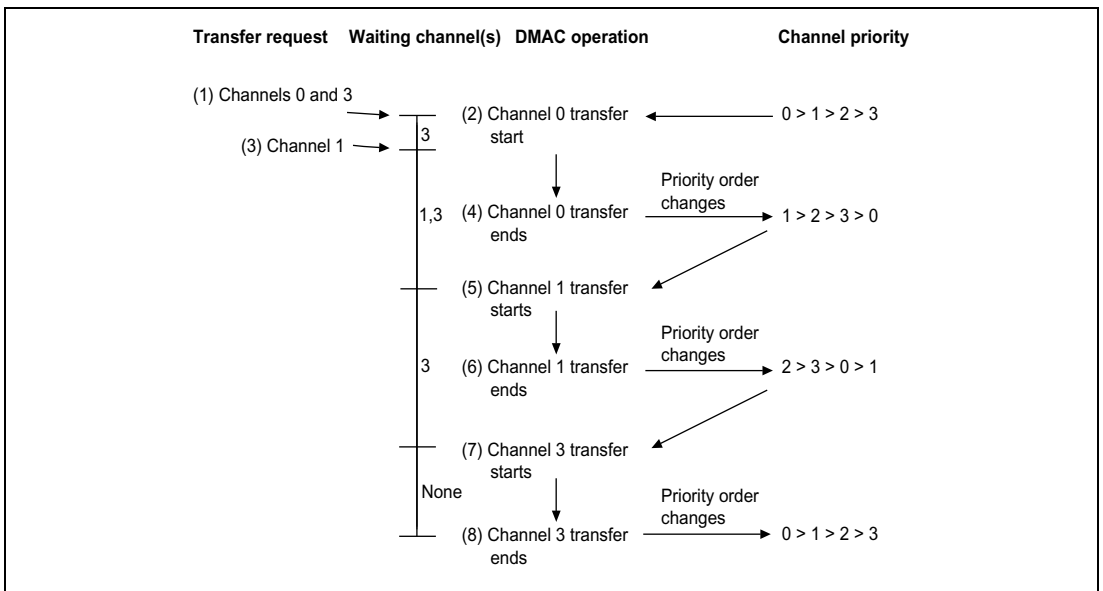


**Figure 8.3 Round-Robin Mode**



Figure 8.4 shows how the priority order changes when channel 0 and channel 3 transfers are requested simultaneously and a channel 1 transfer is requested during the channel 0 transfer. The DMAC operates as follows:

1. Transfer requests are generated simultaneously to channels 0 and 3.
2. Channel 0 has a higher priority, so the channel 0 transfer begins first (channel 3 waits for transfer).
3. A channel 1 transfer request occurs during the channel 0 transfer (channels 1 and 3 are both waiting)
4. When the channel 0 transfer ends, channel 0 becomes lowest priority.
5. At this point, channel 1 has a higher priority than channel 3, so the channel 1 transfer begins (channel 3 waits for transfer).
6. When the channel 1 transfer ends, channel 1 becomes lowest priority.
7. The channel 3 transfer begins.
8. When the channel 3 transfer ends, channels 3 and 2 shift downward in priority so that channel 3 becomes the lowest priority.



**Figure 8.4 Channel Priority in Round-Robin Mode**

#### 8.4.4 DMA Transfer Types

DMA transfer has two types; single address mode transfer and dual address mode transfer. They depend on the number of bus cycles of access to source and destination. A data transfer timing depends on the bus mode, which has cycle steal mode and burst mode. The DMAC supports the transfers shown in table 8.8.

**Table 8.8 Supported DMA Transfers**

| Source                        | Destination               |                 |                               |                           |
|-------------------------------|---------------------------|-----------------|-------------------------------|---------------------------|
|                               | External Device with DACK | External Memory | Memory-Mapped External Device | On-Chip Peripheral Module |
| External device with DACK     | Not available             | Dual, single    | Dual, single                  | Not available             |
| External memory               | Dual, single              | Dual            | Dual                          | Dual                      |
| Memory-mapped external device | Dual, single              | Dual            | Dual                          | Dual                      |
| On-chip peripheral module     | Not available             | Dual            | Dual                          | Dual                      |

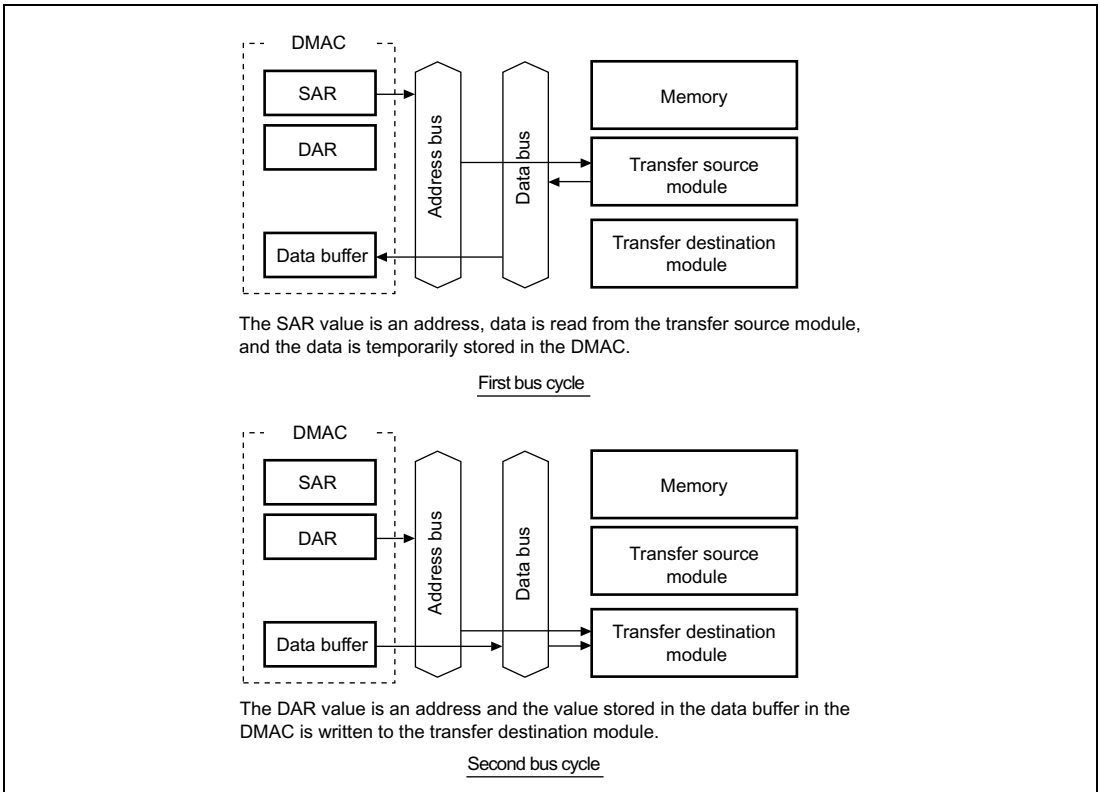
- Notes:
1. Dual: Dual address mode
  2. Single: Single address mode
  3. A 16-byte transfer is available only for the registers to which longword-size access is enabled in the on-chip peripheral modules.

## Address Modes

- Dual Address Mode

In dual address mode, both the transfer source and destination are accessed by an address. The source and destination can be located externally or internally.

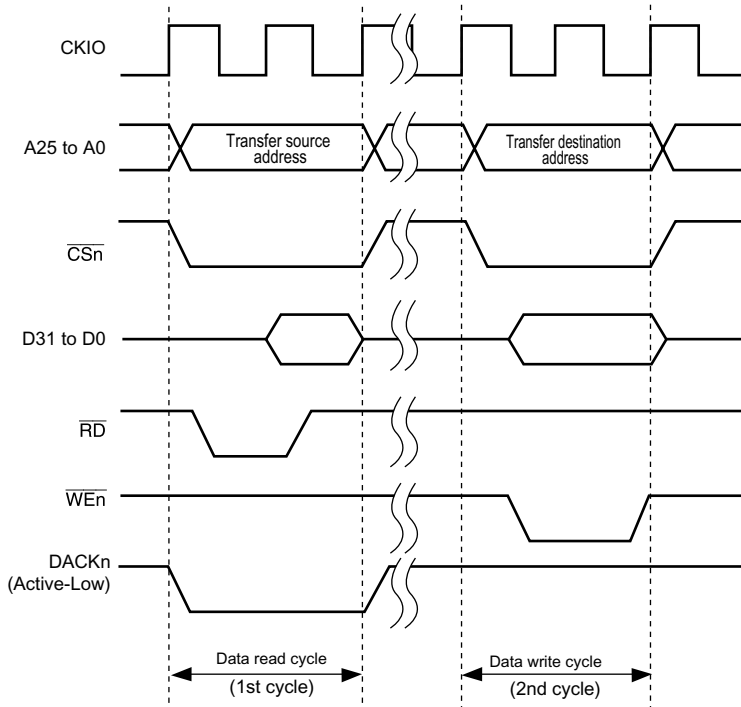
DMA transfer requires two bus cycles because data is read from the transfer source in a data read cycle and written to the transfer destination in a data write cycle. At this time, transfer data is temporarily stored in the DMAC. In the transfer between external memories as shown in figure 8.5, data is read to the DMAC from one external memory in a data read cycle, and then that data is written to the other external memory in a write cycle.



**Figure 8.5 Data Flow of Dual Address Mode**

Auto request, external request, and on-chip peripheral module request are available for the transfer request. DACK can be output in read cycle or write cycle in dual address mode. Channel control register (CHCR) can specify whether the DACK is output in read cycle or write cycle.

Figure 8.6 shows an example of DMA transfer timing in dual address mode.

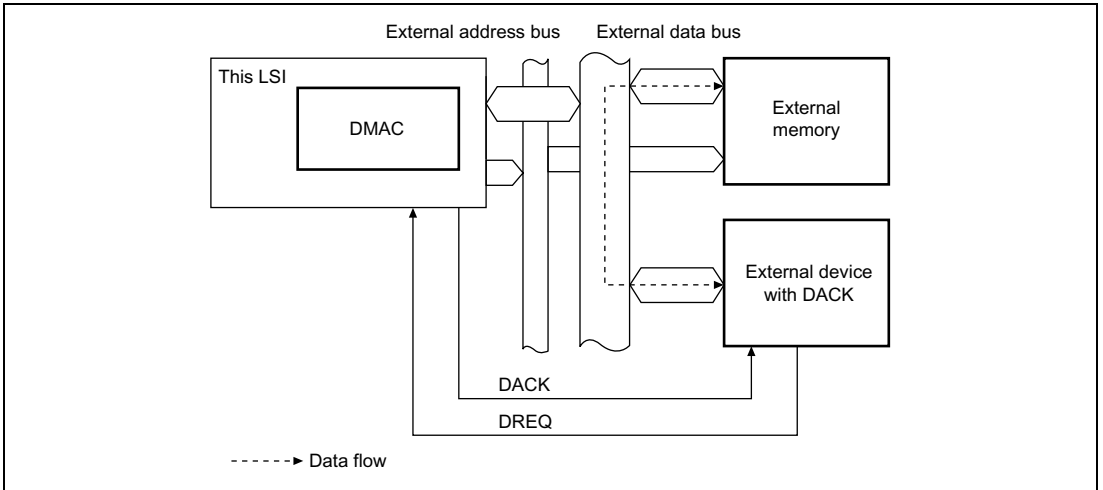


Note: In transfer between external memories, with DACK output in the read cycle, DACK output timing is the same as that of CS<sub>n</sub>.

**Figure 8.6 Example of DMA Transfer Timing in Dual Mode  
(Source: Ordinary Memory, Destination: Ordinary Memory)**

- Single Address Mode

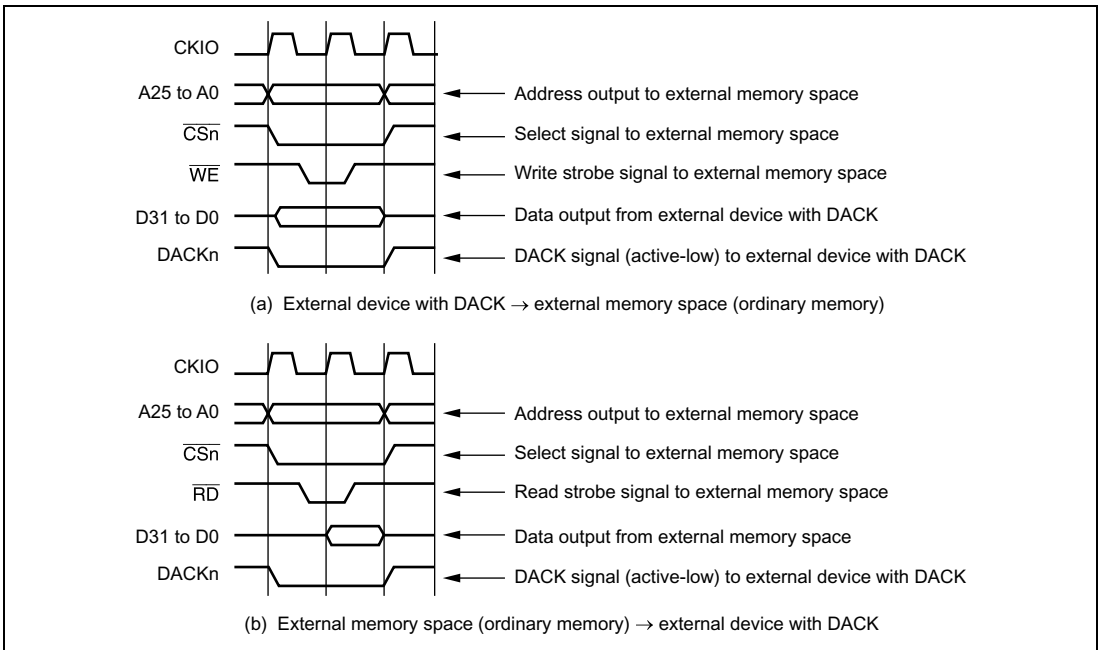
In single address mode, either the transfer source or transfer destination peripheral device is accessed (selected) by means of the DACK signal, and the other device is accessed by address. In this mode, the DMAC performs one DMA transfer in one bus cycle, accessing one of the external devices by outputting the DACK transfer request acknowledge signal to it, and at the same time outputting an address to the other device involved in the transfer. For example, in the case of transfer between external memory and an external device with DACK shown in figure 8.7, when the external device outputs data to the data bus, that data is written to the external memory in the same bus cycle.



**Figure 8.7 Data Flow in Single Address Mode**

Two kinds of transfer are possible in single address mode: (1) transfer between an external device with DACK and a memory-mapped external device, and (2) transfer between an external device with DACK and external memory. In both cases, only the external request signal (DREQ) is used for transfer requests.

Figures 8.8 shows example of DMA transfer timing in single address mode.



**Figure 8.8 Example of DMA Transfer Timing in Single Address Mode**

**Bus Modes:** There are two bus modes: cycle steal and burst. Select the mode in the TB bits of channel control register (CHCR).

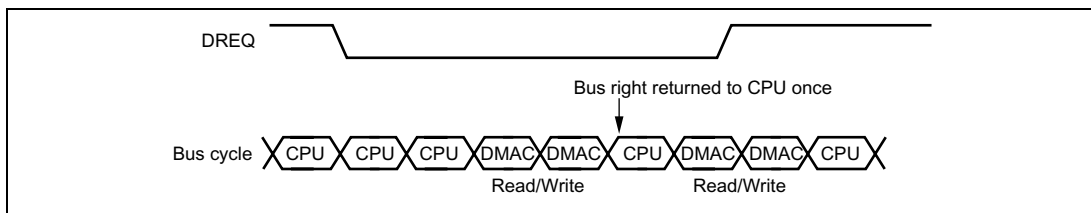
a. Cycle-Steal Mode

- Normal mode

In the normal mode of cycle-steal, the bus right is given to another bus master after a one-transfer-unit (byte, word, long-word, or 16 bytes unit) DMA transfer. When another transfer request occurs, the bus rights are obtained from the other bus master and a transfer is performed for one transfer unit. When that transfer ends, the bus right is passed to the other bus master. This is repeated until the transfer end conditions are satisfied.

In cycle-steal mode, transfer areas are not affected regardless of settings of the transfer request source, transfer source, and transfer destination. Figure 8.9 shows an example of DMA transfer timing in cycle steal mode. Transfer conditions shown in the figure are:

- Dual address mode
- DREQ low level detection



**Figure 8.9 DMA Transfer Example in Cycle-Steal Normal Mode (Dual Address, DREQ Low Level Detection)**

- Intermittent Mode 16 and Intermittent Mode 64

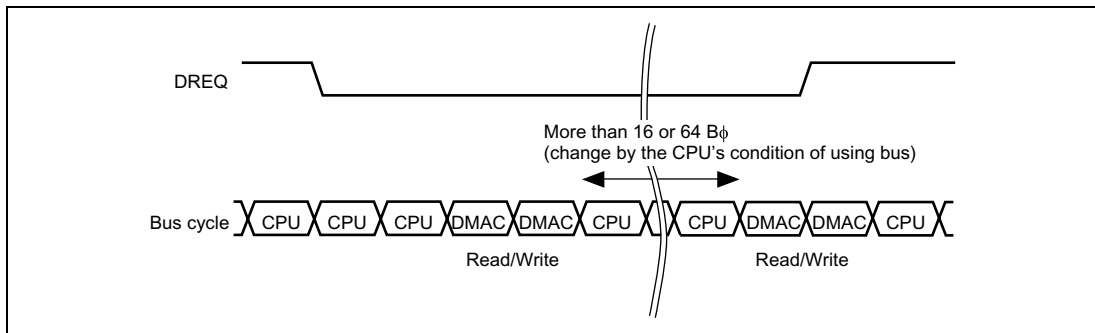
In intermittent mode of cycle steal, DMAC returns the bus right to other bus master whenever a unit of transfer (byte, word, longword, or 16 bytes) is complete. If the next transfer request occurs after that, DMAC gets the bus right from other bus master after waiting for 16 or 64 clocks in B $\phi$  count. DMAC then transfers data of one unit and returns the bus right to other bus master. These operations are repeated until the transfer end condition is satisfied. It is thus possible to make lower the ratio of bus occupation by DMA transfer than the normal mode of cycle steal.

When DMAC gets again the bus right, DMA transfer can be postponed in case of entry updating due to cache miss.

This intermittent mode can be used for all transfer section; transfer requester, source, and destination. The bus modes, however, must be cycle steal mode in all channels.

Figure 8.10 shows an example of DMA transfer timing in cycle steal intermittent mode. Transfer conditions shown in the figure are:

- Dual address mode
- DREQ low level detection

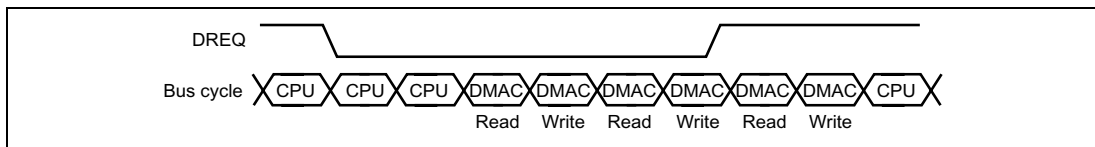


**Figure 8.10 Example of DMA Transfer in Cycle Steal Intermittent Mode (Dual Address, DREQ Low Level Detection)**

b. Burst Mode

Once the bus right is obtained, the transfer is performed continuously until the transfer end condition is satisfied. In external request mode with low level detection of the DREQ pin, however, when the DREQ pin is driven high, the bus passes to the other bus master after the DMAC transfer request that has already been accepted ends, even if the transfer end conditions have not been satisfied.

Burst mode cannot be used for other than the CMT when the on-chip peripheral module is the transfer request source. Figure 8.11 shows DMA transfer timing in burst mode.



**Figure 8.11 DMA Transfer Example in Burst Mode (Dual Address, DREQ Low Level Detection)**

**Relationship between Request Modes and Bus Modes by DMA Transfer Category:** Table 8.9 shows the relationship between request modes and bus modes by DMA transfer category.

**Table 8.9 Relationship of Request Modes and Bus Modes by DMA Transfer Category**

| Address Mode | Transfer Category   | Request Mode      | Bus Mode          | Transfer Size (bits)      | Usable Channels      |
|--------------|---|-------------------|-------------------|---------------------------|----------------------|
| Dual         | External device with DACK and external memory                   | External          | B/C               | 8/16/32/128               | 0, 1                 |
|              | External device with DACK and memory-mapped external device     | External          | B/C               | 8/16/32/128               | 0, 1                 |
|              | External memory and external memory                             | All* <sup>1</sup> | B/C               | 8/16/32/128               | 0 to 3* <sup>5</sup> |
|              | External memory and memory-mapped external device               | All* <sup>1</sup> | B/C               | 8/16/32/128               | 0 to 3* <sup>5</sup> |
|              | Memory-mapped external device and memory-mapped external device | All* <sup>1</sup> | B/C               | 8/16/32/128               | 0 to 3* <sup>5</sup> |
|              | External memory and on-chip peripheral module                   | All* <sup>2</sup> | B/C* <sup>3</sup> | 8/16/32/128* <sup>4</sup> | 0 to 3* <sup>5</sup> |
|              | Memory-mapped external device and on-chip peripheral module     | All* <sup>2</sup> | B/C* <sup>3</sup> | 8/16/32/128* <sup>4</sup> | 0 to 3* <sup>5</sup> |
| Single       | On-chip peripheral module and on-chip peripheral module         | All* <sup>2</sup> | B/C* <sup>3</sup> | 8/16/32/128* <sup>4</sup> | 0 to 3* <sup>5</sup> |
|              | External device with DACK and external memory                   | External          | B/C               | 8/16/32                   | 0, 1                 |
|              | External device with DACK and memory-mapped external device     | External          | B/C               | 8/16/32                   | 0, 1                 |

B: Burst, C: Cycle steal

- Notes:
1. External requests, auto requests, and on-chip peripheral module requests are all available. In the case of on-chip peripheral module requests, however, the CMT is only available.
  2. External requests, auto requests, and on-chip peripheral module requests are all available. However, with the exception of the CMT, the module must be designated as the transfer request source or the transfer destination.
  3. Only cycle steal except for the CMT as the transfer source.
  4. Access size permitted for the on-chip peripheral module register functioning as the transfer source or transfer destination.
  5. If the transfer request is an external request, channels 0 and 1 are only available.

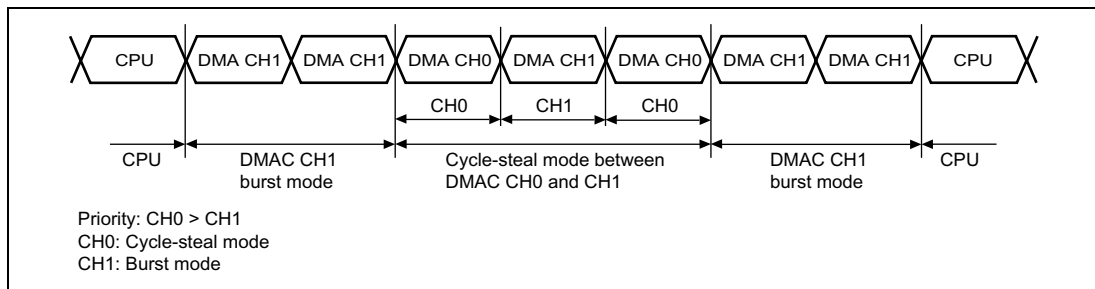
**Bus Mode and Channel Priority Order:** If, when the priority is set to fixed mode (CH0 > CH1) and channel 1 is transferring in burst mode, a transfer request to channel 0, which has higher priority, is generated, the transfer on channel 0 will begin immediately.

At this time, if channel 0 is set to burst mode, the transfer on channel 1 will resume when the channel 0 transfer has completely finished.



On the other hand, if channel 0 is operating in cycle-steal mode, channel 1 will begin operating again after channel 0 completes the transfer of one transfer unit, and without the internal bus being released. Transfer will then alternate between the two channels in the order channel 0, channel 1, channel 0, channel 1, and so on. In other words, the CPU cycles following cycle-steal mode transfer are replaced by burst mode transfer. Figure 8.12 shows an example of this. If multiple channels are competing to execute burst mode transfers, the channel with the highest priority performs the burst mode transfer first.

When DMA transfers are performed using multiple channels, the bus is not released to another bus master until all of the competing burst mode transfers have completed.



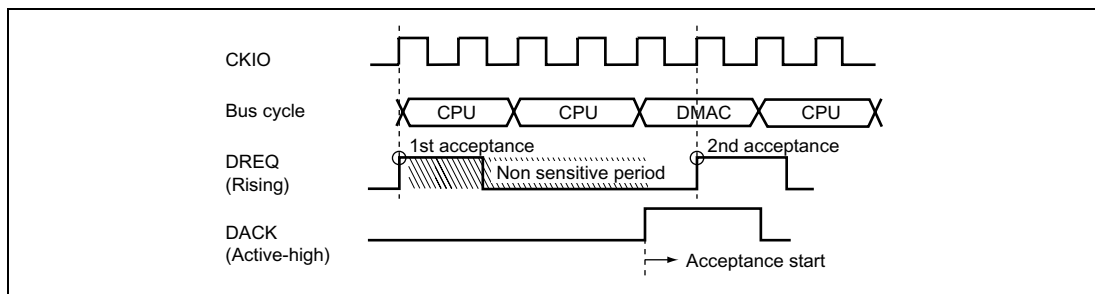
**Figure 8.12 Bus State when Multiple Channels are Operating**

Cycle-steal mode channels and burst mode channels should not be mixed in round-robin mode. Doing so runs the risk that priority changes may not be made properly, although the individual channel transfer operations will be performed correctly.

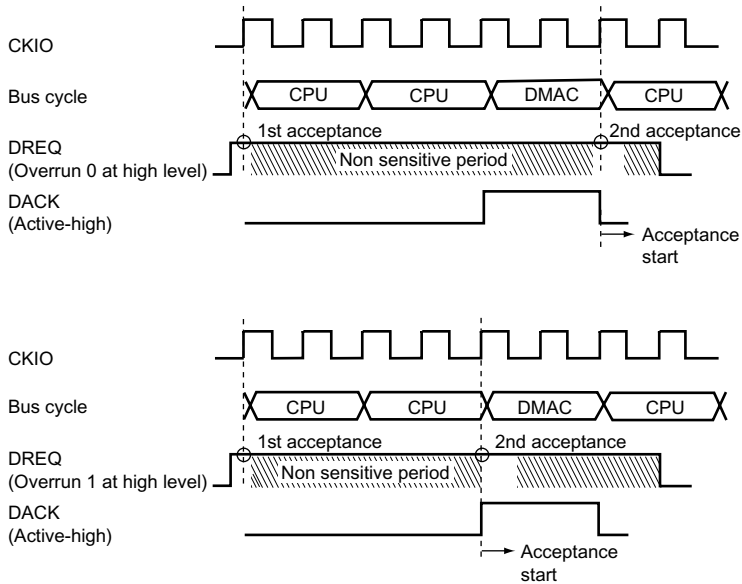
### 8.4.5 Number of Bus Cycle States and DREQ Pin Sampling Timing

**Number of Bus Cycle States:** When the DMAC is the bus master, the number of bus cycle states is controlled by the bus state controller (BSC) in the same way as when the CPU is the bus master. For details, see section 7, Bus State Controller (BSC).

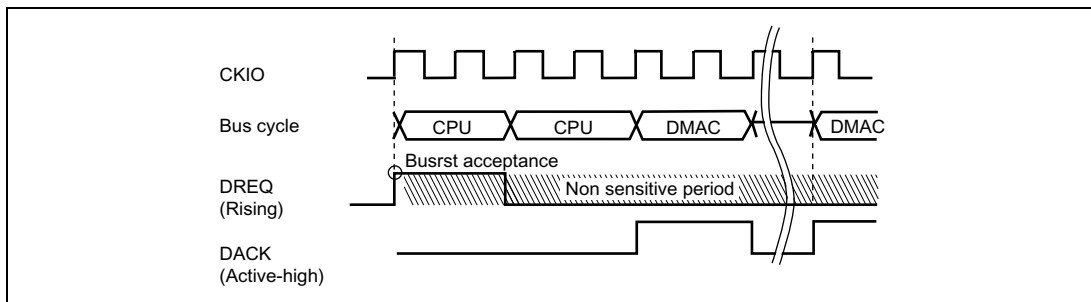
#### DREQ Pin Sampling Timing:



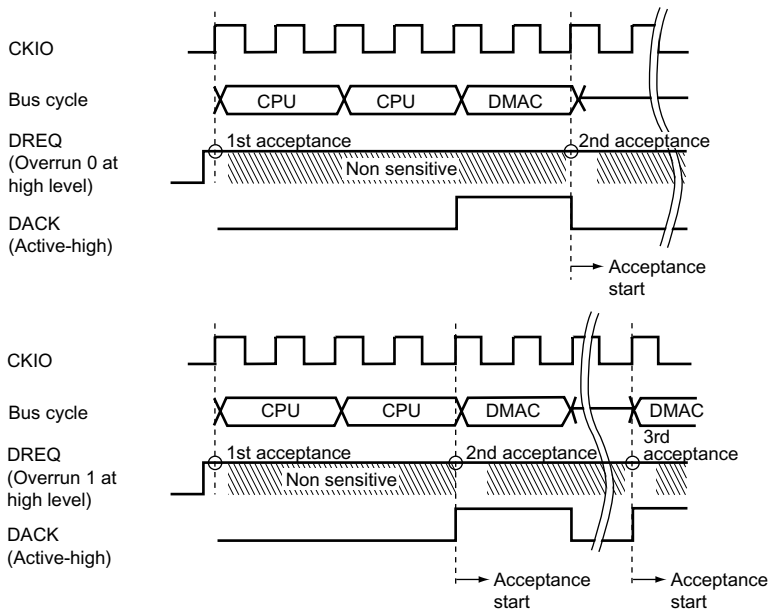
**Figure 8.13 Example of DREQ Input Detection in Cycle Steal Mode Edge Detection**



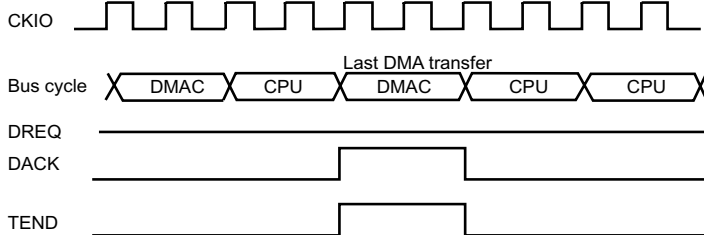
**Figure 8.14 Example of DREQ Input Detection in Cycle Steal Mode Level Detection**



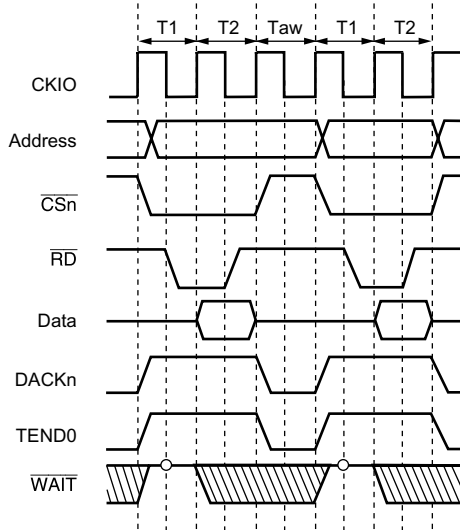
**Figure 8.15 Example of DREQ Input Detection in Burst Mode Edge Detection**



**Figure 8.16 Example of DREQ Input Detection in Burst Mode Level Detection**



**Figure 8.17 Example of DMA Transfer End Signal (in Cycle Steal Level Detection)**



Note: TEND0 is asserted during the last transfer unit of DMA transfer. When the transfer unit is divided into several bus cycles and CS is negated between bus cycles, TEND0 is also divided.

**Figure 8.18 BSC Ordinary Memory Access  
(No Wait, Idle Cycle 1, Longword Access to 16-Bit Device)**

## 8.5 Precautions

### 8.5.1 Precautions when Mixing Cycle-Steal Mode Channels and Burst Mode Channels

Transfer mode settings should not fulfill conditions (1) and (2) below at the same time.

- (1) DMA transfer takes place using multiple channels, some of which operate in the burst mode and some in the cycle-steal mode.
- (2) A channel that uses the burst mode is set to dual address mode and DACK is output using the write cycle.

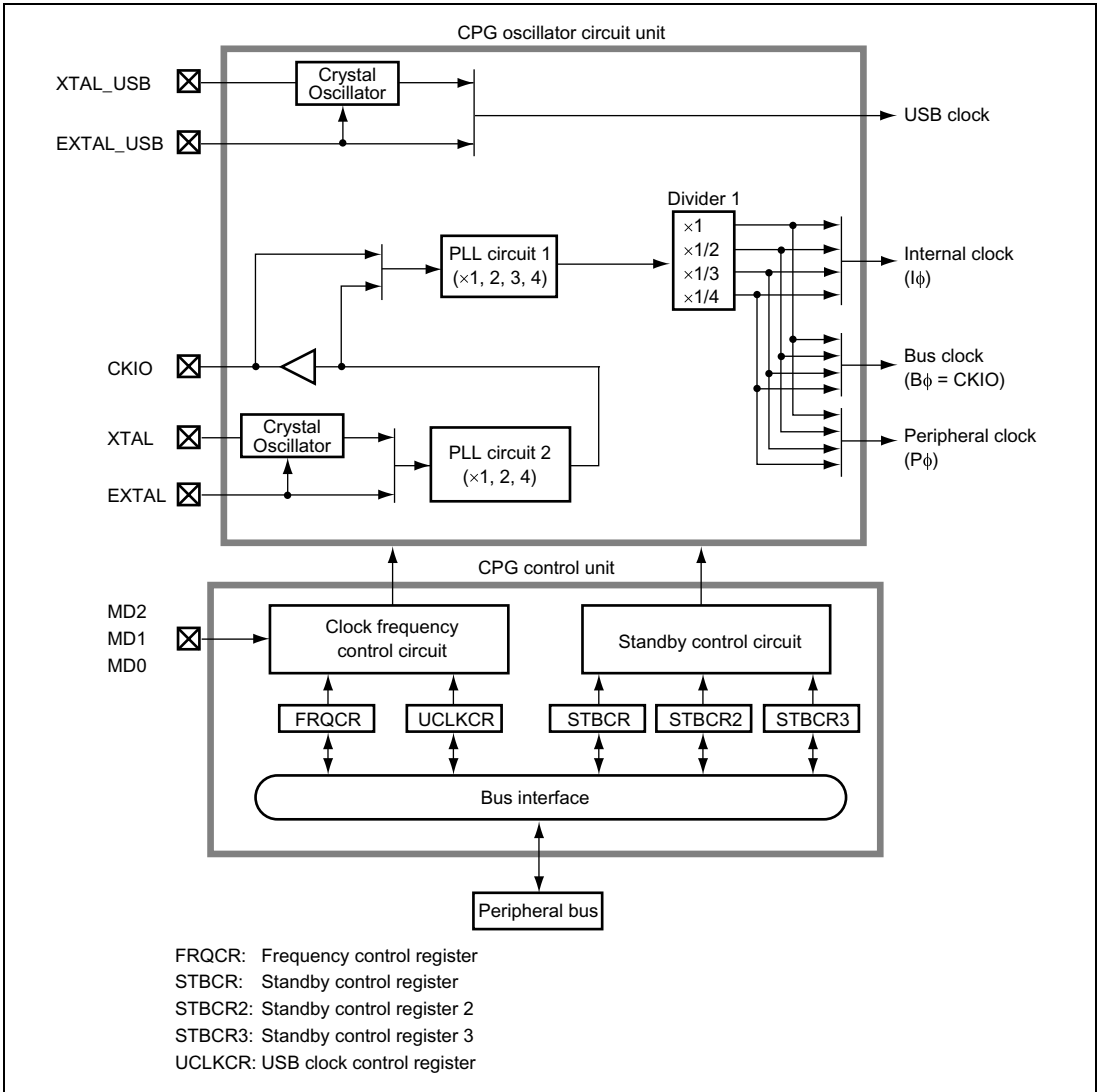
# Section 9 Clock Pulse Generator (CPG)

This LSI has a clock pulse generator (CPG) that generates an internal clock ( $I\phi$ ), a peripheral clock ( $P\phi$ ), and a bus clock ( $B\phi$ ). The CPG consists of oscillators, PLL circuits, and divider circuits.

## 9.1 Features

- Seven clock modes  
Selection of seven clock modes depending on the frequency ranges and crystal oscillation or external clock input.
- Three clocks generated independently  
An internal clock for the CPU and cache ( $I\phi$ ); a peripheral clock ( $P\phi$ ) for the peripheral modules; a bus clock ( $B\phi = CKIO$ ) for the external bus interface.
- Frequency change function  
Internal and peripheral clock frequencies can be changed independently using the phase-locked loop (PLL) circuit and divider circuit within the CPG. Frequencies are changed by software using the frequency control register (FRQCR) settings.
- Power-down mode control  
The clock can be stopped for sleep mode and software standby mode and specific modules can be stopped using the module standby function.

A block diagram of the CPG is shown in figure 9.1.



**Figure 9.1 Block Diagram of Clock Pulse Generator**

The clock pulse generator blocks function as follows:

1. PLL Circuit 1

PLL circuit 1 doubles, triples, quadruples, or leaves unchanged the input clock frequency from the CKIO pin or PLL circuit 2. The multiplication rate is set by the frequency control register. When this is done, the phase of the rising edge of the internal clock is controlled so that it will synchronize with the phase of the rising edge of the CKIO pin.

2. PLL Circuit 2

PLL circuit 2 leaves unchanged, doubles, or quadruples the input clock frequency coming from the crystal oscillator or EXTAL pin. The multiplication ratio is fixed by the clock-operating mode. The clock-operating mode is set by pins MD0, MD1, and MD2. For more details on clock operating modes, refer to table 9.2.

3. Crystal Oscillator

This oscillator circuit is used when a crystal resonator is connected to the XTAL and EXTAL pins. This crystal oscillator operates according to the clock operating mode setting.

4. Divider 1

Divider 1 generates a clock at the operating frequency used by the internal or peripheral clock. The operating frequency can be 1, 1/2, 1/3, or 1/4 times the output frequency of PLL circuit 1, as long as it stays at or above the clock frequency of the CKIO pin. The division ratio is set in the frequency control register.

5. Clock Frequency Control Circuit

The clock frequency control circuit controls the clock frequency using the MD0, MD1, and MD2 pins and the frequency control register.

6. Standby Control Circuit

The standby control circuit controls the state of the on-chip oscillator and other modules during clock switching and software/standby modes.

7. Frequency Control Register

The frequency control register has control bits assigned for the following functions: clock output/non-output from the CKIO pin, the frequency multiplication ratio of PLL circuit 1, and the frequency division ratio of the internal clock and the peripheral clock.

8. Standby Control Register

The standby control register has bits for controlling the power-down modes. See section 11, Power-Down Modes, for more information.

9. USB Clock Control Register

The source clock generating the USB clock is set in the USB clock control register.

## 9.2 Input/Output Pins

Table 9.1 lists the CPG pins and their functions.

**Table 9.1 Clock Pulse Generator Pins and Functions**

| Pin Name  | Symbol    | I/O | Description   |
|---|-----------|-----|---|
| Mode control pins   | MD0       | I   | Set the clock-operating mode.   |
|   | MD1       | I   | Set the clock-operating mode.   |
|   | MD2       | I   | Set the clock-operating mode.   |
| Crystal oscillator pins for system clock (clock input pins) | XTAL      | O   | Connects a crystal resonator.   |
|   | EXTAL     | I   | Connects a crystal resonator. Also used to input an external clock.             |
| Clock I/O pin   | CKIO      | I/O | Inputs or outputs an external clock.  |
| Crystal oscillator pins for USB (clock input pins)          | XTAL_USB  | O   | Connects a crystal resonator for the USB.                                       |
|   | EXTAL_USB | I   | Connects a crystal resonator for the USB. Also used to input an external clock. |

Note: The values of the mode control pins are sampled only in a power-on reset. This can prevent the erroneous operation of the LSI.



## 9.3 Clock Operating Modes

Table 9.2 shows the relationship between the mode control pins (MD2 to MD0) combinations and the clock operating modes. Table 9.3 shows the usable frequency ranges in the clock operating modes and the frequency range of the input clock.

**Table 9.2 Clock Operating Modes**

| Mode | Pin Values |     |     | Clock I/O         |        | PLL2<br>On/Off | PLL1<br>On/Off    | CKIO<br>Frequency |
|------|------------|-----|-----|-------------------|--------|----------------|-------------------|-------------------|
|      | MD2        | MD1 | MD0 | Source            | Output |                |                   |                   |
| 0    | 0          | 0   | 0   | EXTAL             | CKIO   | ON (× 1)       | ON (× 1, 2, 3, 4) | (EXTAL)           |
| 1    | 0          | 0   | 1   | EXTAL             | CKIO   | ON (× 4)       | ON (× 1, 2, 3, 4) | (EXTAL) × 4       |
| 2    | 0          | 1   | 0   | Crystal resonator | CKIO   | ON (× 4)       | ON (× 1, 2, 3, 4) | (Crystal) × 4     |
| 4    | 1          | 0   | 0   | Crystal resonator | CKIO   | ON (× 1)       | ON (× 1, 2, 3, 4) | (Crystal)         |
| 5    | 1          | 0   | 1   | EXTAL             | CKIO   | ON (× 2)       | ON (× 1, 2, 3, 4) | (EXTAL) × 2       |
| 6    | 1          | 1   | 0   | Crystal resonator | CKIO   | ON (× 2)       | ON (× 1, 2, 3, 4) | (Crystal) × 2     |
| 7    | 1          | 1   | 1   | CKIO              | —      | OFF            | ON (× 1, 2, 3, 4) | (CKIO)            |

**Mode 0:** An external clock is input from the EXTAL pin and executes waveform shaping by PLL circuit 2 before being supplied inside this LSI.

**Mode 1:** An external clock is input from the EXTAL pin and its frequency is multiplied by 4 by PLL circuit 2 before being supplied inside this LSI, allowing a low-frequency external clock to be used.

**Mode 2:** The on-chip crystal oscillator operates, with the oscillation frequency being multiplied by 4 by PLL circuit 2 before being supplied inside this LSI, allowing a low-frequency external clock to be used.

**Mode 4:** The on-chip crystal oscillator operates and executes waveform shaping by PLL circuit 2 before being supplied inside this LSI.

**Mode 5:** An external clock is input from the EXTAL pin and its frequency is multiplied by 2 by PLL circuit 2 before being supplied inside this LSI, allowing a low-frequency external clock to be used.

**Mode 6:** The on-chip crystal oscillator operates, with the oscillation frequency being multiplied by 2 by PLL circuit 2 before being supplied inside this LSI, allowing a low crystal frequency to be used.

**Mode 7:** In this mode, the CKIO pin is an input, an external clock is input to this pin, and executes waveform shaping, and also frequency multiplication according to the setting, by PLL circuit 1 before being supplied to this LSI. As PLL circuit 1 compensates for fluctuations in the CKIO pin load, this mode is suitable for connection of synchronous DRAM.

**Table 9.3 Possible Combination of Clock Modes and FRQCR Values**

| Clock Mode | FRQCR* <sup>1</sup> | PLL1     | PLL2     | Clock Rate* <sup>2</sup><br>(I:B:P) | Input Clock/Crystal Resonator Frequency | CKIO Frequency Range   |
|------------|---------------------|----------|----------|-------------------------------------|---|------------------------|
|            |                     |          |          |                                     | Range                                   |                        |
| 0          | H'1000              | ON (× 1) | ON (× 1) | 1:1:1                               | 20.00 MHz to 33.34 MHz                  | 20.00 MHz to 33.34 MHz |
|            | H'1001              | ON (× 1) | ON (× 1) | 1:1:1/2                             | 20.00 MHz to 66.67 MHz                  | 20.00 MHz to 66.67 MHz |
|            | H'1003              | ON (× 1) | ON (× 1) | 1:1:1/4                             | 20.00 MHz to 66.67 MHz                  | 20.00 MHz to 66.67 MHz |
|            | H'1101              | ON (× 2) | ON (× 1) | 2:1:1                               | 20.00 MHz to 33.34 MHz                  | 20.00 MHz to 33.34 MHz |
|            | H'1103              | ON (× 2) | ON (× 1) | 2:1:1/2                             | 20.00 MHz to 66.67 MHz                  | 20.00 MHz to 66.67 MHz |
|            | H'1111              | ON (× 2) | ON (× 1) | 1:1:1                               | 20.00 MHz to 33.34 MHz                  | 20.00 MHz to 33.34 MHz |
|            | H'1113              | ON (× 2) | ON (× 1) | 1:1:1/2                             | 20.00 MHz to 66.67 MHz                  | 20.00 MHz to 66.67 MHz |
|            | H'1202              | ON (× 3) | ON (× 1) | 3:1:1                               | 26.70 MHz to 33.34 MHz                  | 26.70 MHz to 33.34 MHz |
|            | H'1222              | ON (× 3) | ON (× 1) | 1:1:1                               | 26.70 MHz to 33.34 MHz                  | 26.70 MHz to 33.34 MHz |
|            | H'1303              | ON (× 4) | ON (× 1) | 4:1:1                               | 20.00 MHz to 33.34 MHz                  | 20.00 MHz to 33.34 MHz |
|            | H'1313              | ON (× 4) | ON (× 1) | 2:1:1                               | 20.00 MHz to 33.34 MHz                  | 20.00 MHz to 33.34 MHz |
|            | H'1333              | ON (× 4) | ON (× 1) | 1:1:1                               | 20.00 MHz to 33.34 MHz                  | 20.00 MHz to 33.34 MHz |
| 1, 2       | H'1001              | ON (× 1) | ON (× 4) | 4:4:2                               | 10.00 MHz to 16.67 MHz                  | 40.00 MHz to 66.67 MHz |
|            | H'1003              | ON (× 1) | ON (× 4) | 4:4:1                               | 10.00 MHz to 16.67 MHz                  | 40.00 MHz to 66.67 MHz |
|            | H'1103              | ON (× 2) | ON (× 4) | 8:4:2                               | 10.00 MHz to 16.67 MHz                  | 40.00 MHz to 66.67 MHz |
|            | H'1113              | ON (× 2) | ON (× 4) | 4:4:2                               | 10.00 MHz to 16.67 MHz                  | 40.00 MHz to 66.67 MHz |
| 4          | H'1000              | ON (× 1) | ON (× 1) | 1:1:1                               | 20.00 MHz to 33.34 MHz                  | 20.00 MHz to 33.34 MHz |
|            | H'1001              | ON (× 1) | ON (× 1) | 1:1:1/2                             | 20.00 MHz to 33.34 MHz                  | 20.00 MHz to 33.34 MHz |
|            | H'1003              | ON (× 1) | ON (× 1) | 1:1:1/4                             | 20.00 MHz to 33.34 MHz                  | 20.00 MHz to 33.34 MHz |
|            | H'1101              | ON (× 2) | ON (× 1) | 2:1:1                               | 20.00 MHz to 33.34 MHz                  | 20.00 MHz to 33.34 MHz |
|            | H'1103              | ON (× 2) | ON (× 1) | 2:1:1/2                             | 20.00 MHz to 33.34 MHz                  | 20.00 MHz to 33.34 MHz |
|            | H'1111              | ON (× 2) | ON (× 1) | 1:1:1                               | 20.00 MHz to 33.34 MHz                  | 20.00 MHz to 33.34 MHz |
|            | H'1113              | ON (× 2) | ON (× 1) | 1:1:1/2                             | 20.00 MHz to 33.34 MHz                  | 20.00 MHz to 33.34 MHz |
|            | H'1202              | ON (× 3) | ON (× 1) | 3:1:1                               | 26.70 MHz to 33.34 MHz                  | 26.70 MHz to 33.34 MHz |
|            | H'1222              | ON (× 3) | ON (× 1) | 1:1:1                               | 26.70 MHz to 33.34 MHz                  | 26.70 MHz to 33.34 MHz |
|            | H'1303              | ON (× 4) | ON (× 1) | 4:1:1                               | 20.00 MHz to 33.34 MHz                  | 20.00 MHz to 33.34 MHz |
|            | H'1313              | ON (× 4) | ON (× 1) | 2:1:1                               | 20.00 MHz to 33.34 MHz                  | 20.00 MHz to 33.34 MHz |
|            | H'1333              | ON (× 4) | ON (× 1) | 1:1:1                               | 20.00 MHz to 33.34 MHz                  | 20.00 MHz to 33.34 MHz |

| Clock Mode |         |          |          | Clock Rate*2<br>(I:B:P) | Input Clock / Crystal     | CKIO Frequency Range   |
|------------|---------|----------|----------|-------------------------|---------------------------|------------------------|
|            | FRQCR*1 | PLL1     | PLL2     |                         | Resonator Frequency Range |                        |
| 5          | H'1000  | ON (× 1) | ON (× 2) | 2:2:2                   | 10.00 MHz to 16.67 MHz    | 20.00 MHz to 33.34 MHz |
|            | H'1001  | ON (× 1) | ON (× 2) | 2:2:1                   | 10.00 MHz to 33.34 MHz    | 20.00 MHz to 66.67 MHz |
|            | H'1003  | ON (× 1) | ON (× 2) | 2:2:1/2                 | 10.00 MHz to 33.34 MHz    | 20.00 MHz to 66.67 MHz |
|            | H'1101  | ON (× 2) | ON (× 2) | 4:2:2                   | 10.00 MHz to 16.67 MHz    | 20.00 MHz to 33.33 MHz |
|            | H'1103  | ON (× 2) | ON (× 2) | 4:2:1                   | 10.00 MHz to 33.34 MHz    | 20.00 MHz to 66.67 MHz |
|            | H'1111  | ON (× 2) | ON (× 2) | 2:2:2                   | 10.00 MHz to 16.67 MHz    | 20.00 MHz to 33.34 MHz |
|            | H'1113  | ON (× 2) | ON (× 2) | 2:2:1                   | 10.00 MHz to 33.34 MHz    | 20.00 MHz to 66.67 MHz |
|            | H'1202  | ON (× 3) | ON (× 2) | 6:2:2                   | 10.00 MHz to 16.67 MHz    | 20.00 MHz to 33.34 MHz |
|            | H'1222  | ON (× 3) | ON (× 2) | 2:2:2                   | 10.00 MHz to 16.67 MHz    | 20.00 MHz to 33.34 MHz |
|            | H'1303  | ON (× 4) | ON (× 2) | 8:2:2                   | 10.00 MHz to 16.67 MHz    | 20.00 MHz to 33.33 MHz |
|            | H'1313  | ON (× 4) | ON (× 2) | 4:2:2                   | 10.00 MHz to 16.67 MHz    | 20.00 MHz to 33.33 MHz |
|            | H'1333  | ON (× 4) | ON (× 2) | 2:2:2                   | 10.00 MHz to 16.67 MHz    | 20.00 MHz to 33.34 MHz |
|            | 6       | H'1000   | ON (× 1) | ON (× 2)                | 2:2:2                     | 10.00 MHz to 16.67 MHz |
| H'1001     |         | ON (× 1) | ON (× 2) | 2:2:1                   | 10.00 MHz to 33.34 MHz    | 20.00 MHz to 66.67 MHz |
| H'1003     |         | ON (× 1) | ON (× 2) | 2:2:1/2                 | 10.00 MHz to 33.34 MHz    | 20.00 MHz to 66.67 MHz |
| H'1101     |         | ON (× 2) | ON (× 2) | 4:2:2                   | 10.00 MHz to 16.67 MHz    | 20.00 MHz to 33.33 MHz |
| H'1103     |         | ON (× 2) | ON (× 2) | 4:2:1                   | 10.00 MHz to 33.34 MHz    | 20.00 MHz to 66.67 MHz |
| H'1111     |         | ON (× 2) | ON (× 2) | 2:2:2                   | 10.00 MHz to 16.67 MHz    | 20.00 MHz to 33.34 MHz |
| H'1113     |         | ON (× 2) | ON (× 2) | 2:2:1                   | 10.00 MHz to 33.34 MHz    | 20.00 MHz to 66.67 MHz |
| H'1202     |         | ON (× 3) | ON (× 2) | 6:2:2                   | 10.00 MHz to 16.67 MHz    | 20.00 MHz to 33.34 MHz |
| H'1222     |         | ON (× 3) | ON (× 2) | 2:2:2                   | 10.00 MHz to 16.67 MHz    | 20.00 MHz to 33.34 MHz |
| H'1303     |         | ON (× 4) | ON (× 2) | 8:2:2                   | 10.00 MHz to 16.67 MHz    | 20.00 MHz to 33.33 MHz |
| H'1313     |         | ON (× 4) | ON (× 2) | 4:2:2                   | 10.00 MHz to 16.67 MHz    | 20.00 MHz to 33.33 MHz |
| H'1333     |         | ON (× 4) | ON (× 2) | 2:2:2                   | 10.00 MHz to 16.67 MHz    | 20.00 MHz to 33.34 MHz |

| Clock Mode |         |          |      | Input Clock / Crystal Resonator Frequency |                        | CKIO Frequency Range   |
|------------|---------|----------|------|---|------------------------|------------------------|
|            | FRQCR*1 | PLL1     | PLL2 | Clock Rate*2 (I:B:P)                      | Range                  |                        |
| 7          | H'1000  | ON (× 1) | OFF  | 1:1:1                                     | 20.00 MHz to 33.34 MHz | 20.00 MHz to 33.34 MHz |
|            | H'1001  | ON (× 1) | OFF  | 1:1:1/2                                   | 20.00 MHz to 66.67 MHz | 20.00 MHz to 66.67 MHz |
|            | H'1003  | ON (× 1) | OFF  | 1:1:1/4                                   | 20.00 MHz to 66.67 MHz | 20.00 MHz to 66.67 MHz |
|            | H'1101  | ON (× 2) | OFF  | 2:1:1                                     | 20.00 MHz to 33.34 MHz | 20.00 MHz to 33.34 MHz |
|            | H'1103  | ON (× 2) | OFF  | 2:1:1/2                                   | 20.00 MHz to 66.67 MHz | 20.00 MHz to 66.67 MHz |
|            | H'1111  | ON (× 2) | OFF  | 1:1:1                                     | 20.00 MHz to 33.34 MHz | 20.00 MHz to 33.34 MHz |
|            | H'1113  | ON (× 2) | OFF  | 1:1:1/2                                   | 20.00 MHz to 66.67 MHz | 20.00 MHz to 66.67 MHz |
|            | H'1202  | ON (× 3) | OFF  | 3:1:1                                     | 26.70 MHz to 33.34 MHz | 26.70 MHz to 33.34 MHz |
|            | H'1222  | ON (× 3) | OFF  | 1:1:1                                     | 26.70 MHz to 33.34 MHz | 26.70 MHz to 33.34 MHz |
|            | H'1303  | ON (× 4) | OFF  | 4:1:1                                     | 20.00 MHz to 33.34 MHz | 20.00 MHz to 33.34 MHz |
|            | H'1313  | ON (× 4) | OFF  | 2:1:1                                     | 20.00 MHz to 33.34 MHz | 20.00 MHz to 33.34 MHz |
|            | H'1333  | ON (× 4) | OFF  | 1:1:1                                     | 20.00 MHz to 33.34 MHz | 20.00 MHz to 33.34 MHz |

- Notes: 1. This LSI cannot operate in an FRQCR value other than that listed in table 9.3.  
2. Taking input clock frequency ratio as 1.

### Cautions:

- The input to divider 1 is the output of the PLL circuit 1.
- The frequency of the internal clock ( $I\phi$ ) is:
  - The product of the frequency of the CKIO pin, the frequency multiplication ratio of PLL circuit 1, and the division ratio of divider 1.
  - Do not set the internal clock frequency lower than the CKIO pin frequency.
- The frequency of the peripheral clock ( $P\phi$ ) is:
  - The product of the frequency of the CKIO pin, the frequency multiplication ratio of PLL circuit 1, and the division ratio of divider 1.
  - The peripheral clock frequency should not be set higher than the frequency of the CKIO pin, higher than 33.34 MHz, or lower than 13 MHz when the USB is used.
- $\times 1$ ,  $\times 2$ ,  $\times 3$ , or  $\times 4$  can be used as the multiplication ratio of PLL circuit 1.  $\times 1$ ,  $\times 1/2$ ,  $\times 1/3$ , or  $\times 1/4$  can be selected as the division ratios of divider 1. Set the rate in the frequency control register.
- The output frequency of PLL circuit 1 is the product of the CKIO frequency and the multiplication ratio of PLL circuit 1. Use the output frequency under 133.34 MHz.

## 9.4 Register Descriptions

The CPG has the following registers. Refer to section 24, List of Registers, for the addresses of the registers and the state of each register in each processor state.

- Frequency control register (FRQCR)
- USB clock control register (UCLKCR)

### 9.4.1 Frequency Control Register (FRQCR)

The frequency control register (FRQCR) is a 16-bit readable/writable register used to specify whether a clock is output from the CKIO pin, the on/off state of PLL circuit 1, PLL standby, the frequency multiplication ratio of PLL circuit 1, and the frequency division ratio of the internal clock and the peripheral clock. Only word access can be used on FRQCR. As for the combination of the clock rate, refer to table 9.3. The combinations listed in table 9.3 should only be set on FRQCR.

| Bit      | Bit Name | Initial Value | R/W | Description   |
|----------|----------|---------------|-----|---|
| 15 to 13 | —        | 0             | R   | Reserved<br><br>These bits are always read as 0. The write value should always be 0.  |
| 12       | CKOEN    | 1             | R/W | Clock Output Enable<br><br>Specifies to output a clock from the CKIO pin or to fix the CKIO pin low when software standby is canceled (after an interrupt before STATUS1 becomes low and STATUS0 becomes low). The CKIO pin is fixed low during STATUS1 = low and STATUS0 = high, when the CKOEN bit is cleared to 0. Therefore, the malfunction of an external circuit because of an unstable CKIO clock in releasing software standby mode can be prevented.<br><br>In clock operating mode 7, the CKIO pin is in the input state regardless of this bit.<br><br>0: Fixes the CKIO pin low in software standby mode.<br>1: Outputs a clock from the CKIO pin. |
| 11, 10   | —        | 0             | R   | Reserved<br><br>These bits are always read as 0. The write value should always be 0.  |

| Bit  | Bit Name | Initial Value | R/W | Description   |
|------|----------|---------------|-----|---|
| 9    | STC1     | 0             | R/W | Frequency Multiplication Ratio  |
| 8    | STC0     | 0             | R/W | 00: × 1 time<br>01: × 2 times<br>10: × 3 times<br>11: × 4 times   |
| 7, 6 | —        | 0             | R   | Reserved<br>These bits are always read as 0. The write value should always be 0.  |
| 5    | IFC1     | 0             | R/W | Internal Clock Frequency Division Ratio   |
| 4    | IFC0     | 0             | R/W | Specify the frequency division ratio of the internal clock with respect to the output frequency of PLL circuit 1.<br>00: × 1 time<br>01: × 1/2 time<br>10: × 1/3 time<br>11: × 1/4 time   |
| 3, 2 | —        | 0             | R   | Reserved<br>These bits are always read as 0. The write value should always be 0.  |
| 1    | PFC1     | 1             | R/W | Peripheral Clock Frequency Division Ratio   |
| 0    | PFC0     | 1             | R/W | Specify the frequency division ratio of the peripheral clock with respect to the output frequency of PLL circuit 1.<br>00: × 1 time<br>01: × 1/2 time<br>10: × 1/3 time<br>11: × 1/4 time |

## 9.4.2 USB Clock Frequency Control Register (UCLKCR)

UCLKCR is an 8-bit readable/writable register.

Word-size access is used to write to this register. This writing should be performed with H'A5 in the upper byte and the write data in the lower byte.

| Bit    | Bit Name | Initial Value | R/W | Description  |
|--------|----------|---------------|-----|--|
| 7      | USSCS1   | 1             | R/W | Source Clock Selection Bit   |
| 6      | USSCS0   | 1             | R/W | These bits select the source clock.<br>00: Clock stopped<br>01: Setting prohibited<br>10: Setting prohibited<br>11: External input clock                                   |
| 5      | USBEN    | 1             | R/W | USB On-chip Oscillator Enable<br>This bit controls the operation of the USB on-chip oscillator.<br>0: USB on-chip oscillator stopped<br>1: USB on-chip oscillator operates |
| 4 to 0 | —        | 0             | R   | Reserved<br>These bits are always read as 0. The write value should always be 0.   |

## 9.4.3 Usage Notes

Note the following when using the USB. If these are used incorrectly, the correct clocks may not be generated, causing faulty operation of the USB.

1. UCLKCR is used only for generation of the USB clocks. When the USB is not used, it is recommended that UCLKCR be cleared to H'00 to halt the clock.
2. Halt the USB before changing the values of UCLKCR. Halt the USB by stopping the clock supply using the USB module stop bits in STBCR3.
3. UCLKCR is initialized only by a power-on reset. In a manual reset, they retain their current set values.
4. Use the USB module with  $P\phi > 13$  MHz. Otherwise, the operation of this LSI is not guaranteed.

## 9.5 Changing Frequency

The frequency of the internal clock and peripheral clock can be changed either by changing the multiplication rate of PLL circuit 1 or by changing the division rates of divider 1. All of these are controlled by software through the frequency control register. The methods are described below.

### 9.5.1 Changing Multiplication Rate

A PLL settling time is required when the multiplication rate of PLL circuit 1 is changed. The on-chip WDT counts the settling time.

1. In the initial state, the multiplication rate of PLL circuit 1 is 1.
2. Set a value that will become the specified oscillation settling time in the WDT and stop the WDT. The following must be set:  
WTCSR.TME = 0: WDT stops  
WTCSR.CKS[2:0]: Division ratio of WDT count clock  
WTCNT: Initial counter value
3. Set the desired value in the STC[1:0] bits. The division ratio can also be set in the IFC[1:0] bits and PFC[1:0] bits.
4. The processor pauses internally and the WDT starts incrementing. The internal and peripheral clocks both stop and the WDT is supplied with the clock. The clock will continue to be output at the CKIO pin.
5. Supply of the clock that has been set begins at WDT count overflow, and the processor begins operating again. The WDT stops after it overflows.

### 9.5.2 Changing Division Ratio

The WDT will not count unless the multiplication rate is changed simultaneously.

1. In the initial state, IFC[1:0] = 00 and PFC[1:0] = 11.
2. Set the IFC[1:0], PFC[1:0] bits to the new division ratio. The values that can be set are limited by the clock mode and the multiplication rate of PLL circuit 1. Note that if the wrong value is set, the processor will malfunction.
3. The clock is immediately supplied at the new division ratio.

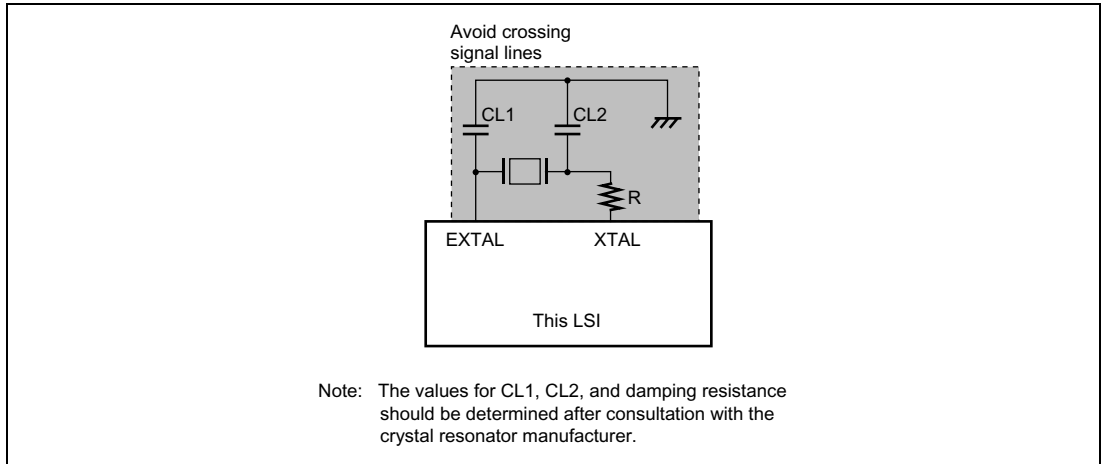
### 9.5.3 Modification of Clock Operating Mode

The values of the mode control pins (MD2 to MD0) that define a clock-operating mode are reflected at power-on reset.



## 9.6 Usage Notes

**When Using an External Crystal Resonator:** Place the crystal resonator, capacitors CL1 and CL2, and damping resistance R as close as possible to the EXTAL and XTAL pins. To prevent induction from interfering with correct oscillation, use a common grounding point for the capacitors connected to the resonator, and do not locate a wiring pattern near these components.



**Figure 9.2 Points for Attention when Using Crystal Resonator**

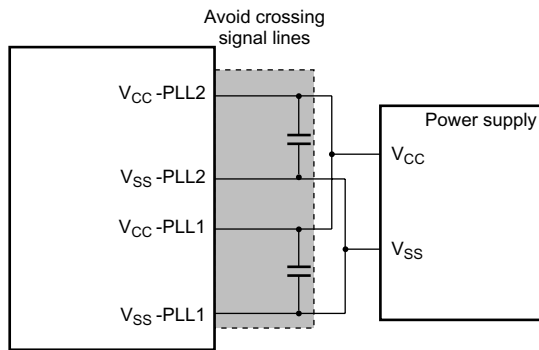
**Decoupling Capacitors:** As far as possible, insert a laminated ceramic capacitor of 0.1 to 1  $\mu\text{F}$  as a passive capacitor for each  $V_{\text{SS}}/V_{\text{SSQ}}$  and  $V_{\text{CC}}/V_{\text{CCQ}}$  pair. Mount the passive capacitors as close as possible to the chip's power supply pins, and use components with a frequency characteristic suitable for the chip's operating frequency, as well as a suitable capacitance value.

Digital system  $V_{\text{SS}}/V_{\text{SSQ}}$  and  $V_{\text{CC}}/V_{\text{CCQ}}$  pairs: 2-5, 17-19, 26-28, 32-34, 44-46, 57-59, 69-71, 78-80, 87-89, 111-113, 130-132, 133-138, 159-161, 178-180, 182-184, 199-204

On-chip oscillator  $V_{\text{SS}}/V_{\text{SSQ}}$  and  $V_{\text{CC}}/V_{\text{CCQ}}$  pairs: 6-9, 149-150, 151-152, 205-208

**When Using a PLL Oscillator Circuit:** Keep the wiring from the PLL  $V_{\text{CC}}$  and PLL  $V_{\text{SS}}$  connection pattern to the power supply pins short, and make the pattern width wide, to minimize the inductance value.

In clock mode 7, connect the EXTAL pin to  $V_{\text{CCQ}}$  (3.3-V power) with pull-up resistor, and leave the XTAL pin open.



**Figure 9.3 Points for Attention when Using PLL Oscillator Circuit**

**Notes on Wiring Power Supply Pins:** To avoid crossing signal lines, wire  $V_{CC-PLL1}$ ,  $V_{CC-PLL2}$ ,  $V_{SS-PLL1}$ , and  $V_{SS-PLL2}$  as three patterns from the power supply source on the board so that they are independent of digital  $V_{CC}$  and  $V_{SS}$ .

# Section 10 Watchdog Timer (WDT)

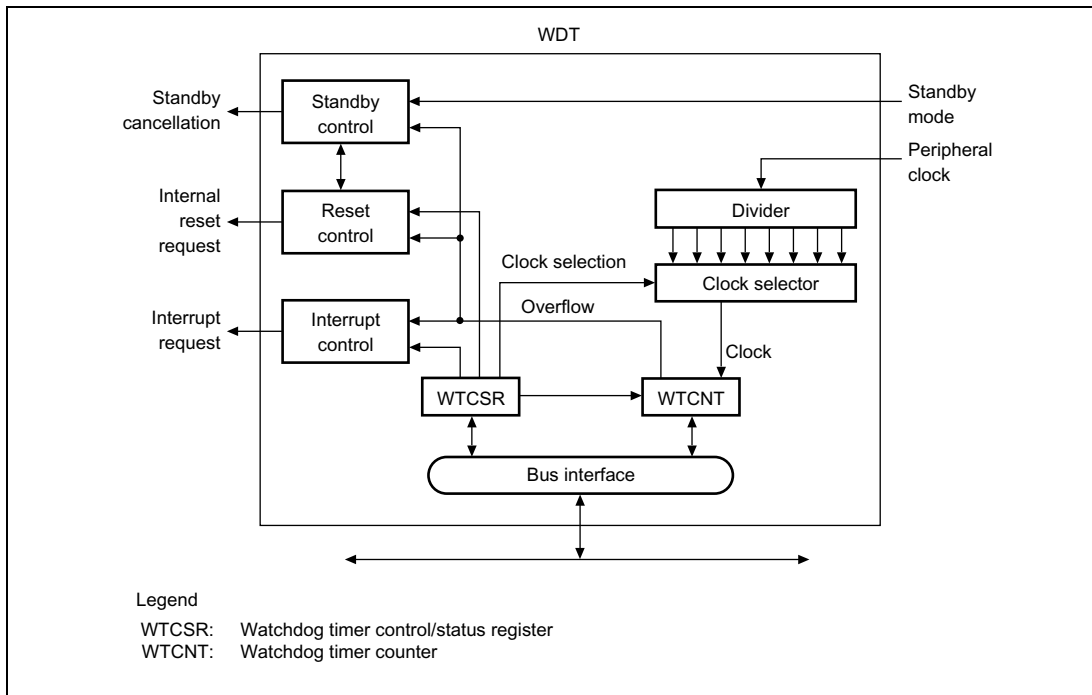
This LSI includes the watchdog timer (WDT) and can be reset by the overflow of the counter when the value of the counter has not been updated because of an erroneous system operation.

The WDT is a single-channel timer that uses a peripheral clock as an input and counts the clock settling time when clearing software standby mode and temporary standbys, such as frequency changes. It can also be used as a conventional watchdog timer or an interval timer.

## 10.1 Features

- Can be used to ensure the clock settling time  
Use the WDT to clear software standby mode and the temporary standbys which occur when the clock frequency is changed.
- Can switch between watchdog timer mode and interval timer mode.
- Generates internal resets in watchdog timer mode  
Internal resets occur after counter overflow.  
Power-on reset and manual reset are available.
- Interrupt generation in interval timer mode  
An interval timer interrupt is generated when the counter overflows.
- Choice of eight counter input clocks  
Eight clocks ( $\times 1$  to  $\times 1/4096$ ) that are obtained by dividing the peripheral clock can be selected.

Figure 10.1 shows a block diagram of the WDT.



**Figure 10.1 Block Diagram of WDT**

## 10.2 Register Descriptions

The WDT has the following two registers. Refer to section 24, List of Registers for the details of the addresses of these registers and the state of registers in each operating mode.

- Watchdog timer counter (WTCNT)
- Watchdog timer control/status register (WTCNT)

### 10.2.1 Watchdog Timer Counter (WTCNT)

The watchdog timer counter (WTCNT) is an 8-bit readable/writable register that increments on the selected clock. When an overflow occurs, it generates a reset in watchdog timer mode and an interrupt in interval timer mode. The WTCNT counter is not initialized by an internal reset due to the WDT overflow. The WTCNT counter is initialized to H'00 only by a power-on reset using the RESETP pin.

Use a word access to write to the WTCNT counter, with H'5A in the upper byte. Use a byte access to read WTCNT.

Note: WTCNT differs from other registers in that it is more difficult to write to. See section 10.2.3, Notes on Register Access, for details.

## 10.2.2 Watchdog Timer Control/Status Register (WTCSR)

The watchdog timer control/status register (WTCSR) is an 8-bit readable/writable register composed of bits to select the clock used for the count, overflow flags, and enable bits.

WTCSR holds its value in an internal reset due to the WDT overflow. WTCSR is initialized to H'00 only by a power-on reset using the  $\overline{\text{RESETP}}$  pin.

When used to count the clock settling time for canceling a software standby, it retains its value after counter overflow. Use a word access to write to the WTCSR counter, with H'A5 in the upper byte. Use a byte access to read WTCSR.

Note: WTCSR differs from other registers in that it is more difficult to write to. See section 10.2.3, Notes on Register Access, for details.

| Bit | Bit Name | Initial Value | R/W | Description  |
|-----|----------|---------------|-----|--|
| 7   | TME      | 0             | R/W | <p>Timer Enable</p> <p>Starts and stops timer operation. Clear this bit to 0 when using the WDT in software standby mode or when changing the clock frequency.</p> <p>0: Timer disabled: Count-up stops and WTCNT value is retained</p> <p>1: Timer enabled</p>                  |
| 6   | WT/IT    | 0             | R/W | <p>Timer Mode Select</p> <p>Selects whether to use the WDT as a watchdog timer or an interval timer.</p> <p>0: Use as interval timer</p> <p>1: Use as watchdog timer</p> <p>Note: If WT/IT is modified when the WDT is running, the up-count may not be performed correctly.</p> |
| 5   | RSTS     | 0             | R/W | <p>Reset Select</p> <p>Selects the type of reset when WTCNT overflows in watchdog timer mode. In interval timer mode, this setting is ignored.</p> <p>0: Power-on reset</p> <p>1: Manual reset</p>   |
| 4   | WOVF     | 0             | R/W | <p>Watchdog Timer Overflow</p> <p>Indicates that WTCNT has overflowed in watchdog timer mode. This bit is not set in interval timer mode.</p> <p>0: No overflow</p> <p>1: WTCNT has overflowed in watchdog timer mode</p>  |
| 3   | IOVF     | 0             | R/W | <p>Interval Timer Overflow</p> <p>Indicates that WTCNT has overflowed in interval timer mode. This bit is not set in watchdog timer mode.</p> <p>0: No overflow</p> <p>1: WTCNT has overflowed in interval timer mode</p>  |

| Bit | Bit Name | Initial Value | R/W | Description  |
|-----|----------|---------------|-----|--|
| 2   | CKS2     | 0             | R/W | Clock Select 2 to 0  |
| 1   | CKS1     | 0             | R/W | These bits select the clock to be used for the WTCNT count from the eight types obtainable by dividing the peripheral clock. The overflow period that is shown inside the parenthesis in the table is the value when the peripheral clock (P $\phi$ ) is 15 MHz. |
| 0   | CKS0     | 0             | R/W |  |

|     |                |               |
|-----|----------------|---------------|
| 000 | P $\phi$       | (17 $\mu$ s)  |
| 001 | P $\phi$ /4    | (68 $\mu$ s)  |
| 010 | P $\phi$ /16   | (273 $\mu$ s) |
| 011 | P $\phi$ /32   | (546 $\mu$ s) |
| 100 | P $\phi$ /64   | (1.09 ms)     |
| 101 | P $\phi$ /256  | (4.36 ms)     |
| 110 | P $\phi$ /1024 | (17.48 ms)    |
| 111 | P $\phi$ /4096 | (69.91 ms)    |

Note: If bits CKS2 to CKS0 are modified when the WDT is running, the up-count may not be performed correctly. Ensure that these bits are modified only when the WDT is not running.

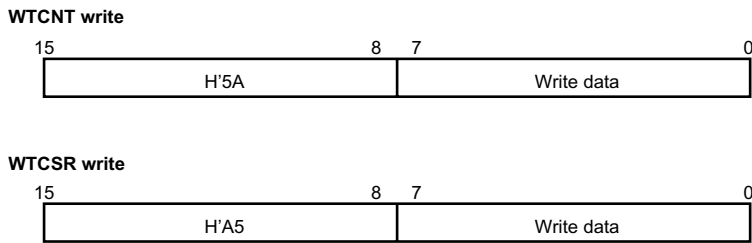
Note: If manual reset is selected using the RSTS bit, a frequency division ratio of 1/16, 1/32, 1/64, 1/256, 1/1,024, or 1/4,096 is selected using bits CKS2 to CKS0, and a watchdog timer counter overflow occurs, resulting in a manual reset, the LSI will generate two manual resets in succession. This will not affect its operation but will cause change in the state of the STATUS pin.

### 10.2.3 Notes on Register Access

The watchdog timer counter (WTCNT) and watchdog timer control/status register (WTCSR) are more difficult to write to than other registers. The procedure for writing to these registers is given below.

- These registers must be written by a word transfer instruction. They cannot be written by a byte or longword transfer instruction.

When writing to WTCNT, set the upper byte to H'5A and transfer the lower byte as the write data, as shown in figure 10.2. When writing to WTCSR, set the upper byte to H'A5 and transfer the lower byte as the write data. This transfer procedure writes the lower byte data to WTCNT or WTCSR.



**Figure 10.2 Writing to WTCNT and WTCSR**

## 10.3 Operation

### 10.3.1 Canceling Software Standbys

The WDT is used to cancel software standby mode with an interrupt such as an NMI. The procedure when using an NMI interrupt is described below. (The WDT does not run when resets are used for canceling, so keep the  $\overline{\text{RESETP}}$  or  $\overline{\text{RESETM}}$  pin low until the clock stabilizes.)

1. Before transitioning to software standby mode, always clear the TME bit in WTCSR to 0. When the TME bit is 1, an erroneous reset or interval timer interrupt may be generated when the count overflows.
2. Set the type of count clock used in the CKS2 to CKS0 bits in WTCSR and the initial values for the counter in the WTCNT counter. These values should ensure that the time till count overflow is longer than the clock oscillation settling time.
3. Move to software standby mode by executing a SLEEP instruction, after that clock stops.
4. The WDT starts counting by detecting the edge change of the NMI signal.
5. When the WDT count overflows, the CPG starts supplying the clock and the processor resumes operation. The WOVF flag in WTCSR is not set.
6. Since the WDT continues counting from H'00, clear the STBY bit in the STBCR register to 0 in the interrupt processing program and this will stop the WDT. When the STBY bit remains 1, the LSI again enters the software standby mode when the WDT has counted up to H'80. This software standby mode can be canceled by power-on resets.



### 10.3.2 Changing Frequency

To change the frequency used by the PLL, use the WDT. When changing the frequency only by switching the divider, do not use the WDT.

1. Before changing the frequency, always clear the TME bit in WTCSR to 0. When the TME bit is 1, an erroneous reset or interval timer interrupt may be generated when the count overflows.
2. Set the type of count clock used in the CKS2 to CKS0 bits of WTCSR and the initial values for the counter in the WTCNT counter. These values should ensure that the time till count overflow is longer than the clock oscillation settling time. The divided clock set by CKS2 to CKS0 bits in WTCSR will be used for the base clock of P $\phi$  after the frequency is changed.
3. When the frequency control register (FRQCR) is written, the processor stops temporarily. The WDT starts counting.
4. When the WDT count overflows, the CPG resumes supplying the clock and the processor resumes operation. The WOVF flag in WTCSR is not set.
5. The counter stops at the values H'00.
6. Before changing WTCNT after the execution of the frequency change instruction, always confirm that the value of WTCNT is H'00 by reading WTCNT.

### 10.3.3 Using Watchdog Timer Mode

1. Set the  $\overline{WT/IT}$  bit in WTCSR to 1, set the reset type in the RSTS bit, set the type of count clock in the CKS2 to CKS0 bits, and set the initial value of the counter in the WTCNT counter.
2. Set the TME bit in WTCSR to 1 to start the count in watchdog timer mode.
3. While operating in watchdog timer mode, rewrite the counter periodically to H'00 to prevent the counter from overflowing.
4. When the counter overflows, the WDT sets the WOVF flag in WTCSR to 1 and generates the reset signal specified by the RSTS bit. The counter then resumes counting.

### 10.3.4 Using Interval Timer Mode

When operating in interval timer mode, interval timer interrupts are generated at every overflow of the counter. This enables interrupts to be generated at set periods.

1. Clear the  $\overline{WT/IT}$  bit in WTCSR to 0, set the type of count clock in the CKS2 to CKS0 bits, and set the initial value of the counter in the WTCNT counter.
2. Set the TME bit in WTCSR to 1 to start the count in interval timer mode.
3. When the counter overflows, the WDT sets the IOVF flag in WTCSR to 1 and an interval timer interrupt request is sent to the INTC. The counter then resumes counting.



# Section 11 Power-Down Modes

This LSI has four types of the power-down modes: sleep mode, software standby mode, module standby function, and hardware standby mode.

## 11.1 Features

This LSI has the following power-down modes and function:

1. Sleep mode
2. Software standby mode
3. Module standby function (Cache, TLB, UBC, DMAC, UDI, and on-chip peripheral module)
4. Hardware standby mode

Table 11.1 shows the transition conditions for entering the modes from the program execution state, as well as the CPU and peripheral module states in each mode and the procedures for canceling each mode.

**Table 11.1 States of Power-Down Modes**

| Mode                    | Transition Conditions   | State |      |              |                            |      |                 |   |
|-------------------------|---|-------|------|--------------|----------------------------|------|-----------------|---|
|                         |   | CPG   | CPU  | CPU Register | On-Chip Peripheral Modules | Pins | External Memory | Canceling Condition                         |
| Sleep mode              | Execute SLEEP instruction with STBY bit cleared to 0 in STBCR | Run   | Halt | Held         | Run                        | *3   | Refresh         | 1. Interrupt<br>2. Reset                    |
| Software standby mode   | Execute SLEEP instruction with STBY bit set to 1 in STBCR     | Halt  | Halt | Held         | Halt*1                     | *3   | Self-refresh    | 1. Interrupt<br>2. Reset                    |
| Module standby function | Set MSTP bit of STBCR, STBCR2, and STBCR3 to 1                | Run   | Run  | Held         | Specified module halts     | *2   | Refresh         | 1. Clear MSTP bit to 0<br>2. Power-on reset |
| Hardware standby mode   | Drive CA pin low  | Halt  | Halt | Held         | Halt*1                     | *4   | —               | Power-on reset                              |

- Notes: 1. The RTC still runs if the START bit in RCR2 is set to 1 (see section 15, Realtime Clock (RTC)).
2. Depends on the on-chip peripheral module.
3. Refer to table A.1, in Appendix.
4. Hi-Z except EXTAL, XTAL, EXTAL2, XTAL2, EXTAL\_USB, XTAL\_USB, STATUS1, and STATUS0.

## 11.2 Input/Output Pins

Table 11.2 lists the pins used for the power-down modes.

**Table 11.2 Pin Configuration**

| Pin Name         | Symbol                     | I/O | Description  |
|------------------|----------------------------|-----|--|
| Processing state | STATUS1,<br>STATUS0        | O   | Operating state of the processor.<br>HH: Reset<br>HL: Sleep mode<br>LH: Standby mode<br>LL: Normal operation<br>Note: H means high level, and L means low level. |
| Power-on reset   | $\overline{\text{RESETP}}$ | I   | Reset input signal. Power-on reset occurs at low-level.  |
| Manual reset     | $\overline{\text{RESETM}}$ | I   | Reset input signal. Manual reset occurs at low-level.  |
| Hardware standby | CA                         | I   | Normal operation at high-level and hardware standby mode is entered at low-level.  |

## 11.3 Register Descriptions

There are following five registers used for the power-down modes. Refer to section 24, List of Registers, for the details of the addresses of these registers and the state of registers in each operating mode.

- Standby control register (STBCR)
- Standby control register 2 (STBCR2)
- Standby control register 3 (STBCR3)

### 11.3.1 Standby Control Register (STBCR)

STBCR is an 8-bit readable/writable register that specifies the state of the power-down mode.

| Bit  | Bit Name | Initial Value | R/W | Description  |
|------|----------|---------------|-----|--|
| 7    | STBY     | 0             | R/W | Standby<br>Specifies transition to software standby mode.<br>0: Executing SLEEP instruction puts chip into sleep mode<br>1: Executing SLEEP instruction puts chip into software standby mode     |
| 6, 5 | —        | 0             | R   | Reserved<br>These bits are always read as 0. The write value should always be 0.   |
| 4    | STBXTL   | 0             | R/W | Standby Crystal<br>Specifies stop/start of the crystal oscillator in standby mode.<br>0: Crystal oscillator stops in standby mode.<br>1: Crystal oscillator continues operation in standby mode. |
| 3    | —        | 0             | R   | Reserved<br>This bit is always read as 0. The write value should always be 0.  |
| 2    | MSTP2    | 0             | R/W | Module Stop 2<br>Specifies halting the clock supply to the TMU when the MSTP2 bit has been set to 1.<br>0: TMU runs<br>1: Clock supply to TMU halted   |
| 1    | MSTP1    | 0             | R/W | Module Stop 1<br>Specifies halting the clock supply to the RTC when the MSTP1 bit has been set to 1.<br>0: RTC runs<br>1: Clock supply to RTC halted   |
| 0    | —        | 0             | R   | Reserved<br>This bit is always read as 0. The write value should always be 0.  |

### 11.3.2 Standby Control Register 2 (STBCR2)

STBCR2 is an 8-bit readable/writable register that controls the operation of modules in the power-down mode.

| Bit | Bit Name | Initial Value | R/W | Description   |
|-----|----------|---------------|-----|---|
| 7   | MSTP10   | 0             | R/W | Module Stop Bit 10<br>When the MSTP10 bit is set to 1, the clock supply to the UDI is halted.<br>0: UDI runs<br>1: Clock supply to UDI is halted                      |
| 6   | MSTP9    | 0             | R/W | Module Stop Bit 9<br>When the MSTP9 bit is set to 1, the clock supply to the UBC is halted.<br>0: UBC runs<br>1: Clock supply to UBC is halted                        |
| 5   | MSTP8    | 0             | R/W | Module Stop Bit 8<br>When the MSTP8 bit is set to 1, the clock supply to the DMAC is halted.<br>0: DMAC runs<br>1: Clock supply to DMAC is halted                     |
| 4   | —        | 0             | R   | Reserved<br>This bit is always read as 0. The write value should always be 0.   |
| 3   | MSTP6    | 0             | R/W | Module Stop Bit 6<br>When the MSTP6 bit is set to 1, the clock supply to the TLB is halted.<br>0: TLB runs<br>1: Clock supply to TLB is halted                        |
| 2   | MSTP5    | 0             | R/W | Module Stop Bit 5<br>When the MSTP5 bit is set to 1, the clock supply to cache memory is halted.<br>0: Cache memory runs<br>1: Clock supply to cache memory is halted |

| Bit  | Bit Name | Initial Value | R/W | Description  |
|------|----------|---------------|-----|--|
| 1, 0 | —        | 0             | R   | Reserved<br>These bits are always read as 0. The write value should always be 0. |

### 11.3.3 Standby Control Register 3 (STBCR3)

STBCR3 is an 8-bit readable/writable register that controls the operation of modules in the power-down mode.

| Bit | Bit Name | Initial Value | R/W | Description  |
|-----|----------|---------------|-----|--|
| 7   | MSTP37   | 0             | R/W | Module Stop Bit 37<br>When the MSTP37 bit is set to 1, the clock supply to the USB is halted.<br>0: USB runs<br>1: Clock supply to USB is halted |
| 6   | —        | 0             | R   | Reserved<br>This bit is always read as 0. The write value should always be 0.  |
| 5   | MSTP35   | 0             | R/W | Module Stop Bit 35<br>When the MSTP35 bit is set to 1, the clock supply to the CMT is halted.<br>0: CMT runs<br>1: Clock supply to CMT is halted |
| 4   | MSTP34   | 0             | R/W | Module Stop Bit 34<br>When the MSTP34 bit is set to 1, the clock supply to the TPU is halted.<br>0: TPU runs<br>1: Clock supply to TPU is halted |
| 3   | MSTP33   | 0             | R/W | Module Stop Bit 33<br>When the MSTP33 bit is set to 1, the clock supply to the ADC is halted.<br>0: ADC runs<br>1: Clock supply to ADC is halted |



| Bit | Bit Name | Initial Value | R/W | Description  |
|-----|----------|---------------|-----|--|
| 2   | MSTP32   | 0             | R/W | Module Stop Bit 32<br>When the MSTP32 bit is set to 1, the clock supply to the IrDA is halted.<br>0: IrDA runs<br>1: Clock supply to IrDA is halted    |
| 1   | MSTP31   | 0             | R/W | Module Stop Bit 31<br>When the MSTP31 bit is set to 1, the clock supply to the SCIF2 is halted.<br>0: SCIF2 runs<br>1: Clock supply to SCIF2 is halted |
| 0   | MSTP30   | 0             | R/W | Module Stop Bit 30<br>When the MSTP30 bit is set to 1, the clock supply to the SCIF0 is halted.<br>0: SCIF0 runs<br>1: Clock supply to SCIF0 is halted |

## 11.4 Sleep Mode

### 11.4.1 Transition to Sleep Mode

Executing the SLEEP instruction when the STBY bit in STBCR is 0 causes a transition from the program execution state to sleep mode. Although the CPU halts immediately after executing the SLEEP instruction, the contents of its internal registers remain unchanged. The on-chip peripheral modules continue to run in sleep mode and the clock continues to be output to the CKIO pin.

In sleep mode, the STATUS1 pin is set high and the STATUS0 pin low.

### 11.4.2 Canceling Sleep Mode

Sleep mode is canceled by an interrupt (NMI, IRQ, IRL, PINT, and on-chip peripheral module) or reset. Interrupts are accepted in sleep mode even when the BL bit in SR is 1. If necessary, save SPC and SSR to the stack before executing the SLEEP instruction.

**Canceling with an Interrupt:** When an NMI, IRQ, IRL, PINT, or on-chip peripheral module interrupt occurs, sleep mode is canceled and interrupt exception processing is executed. A code indicating the interrupt source is set in INTEVT and INTEVT2.

**Canceling with a Reset:** Sleep mode is canceled by a power-on reset or a manual reset.

## 11.5 Software Standby Mode

### 11.5.1 Transition to Software Standby Mode

The LSI switches from a program execution state to software standby mode by executing the SLEEP instruction when the STBY bit is 1 in STBCR. In software standby mode, not only the CPU but also the clock and on-chip peripheral modules halt. The clock output from the CKIO pin also halts.

The contents of the CPU and cache registers remain unchanged. Some registers of on-chip peripheral modules are, however, initialized. For more details on the states of on-chip peripheral modules registers in software standby mode, refer to section 24.3, Register States in Each Operating Mode.

The procedure for moving to software standby mode is as follows:

1. Clear the TME bit in the WDT's timer control register (WTCSR) to 0 to stop the WDT.
2. Clear the WDT's timer counter (WTCNT) to 0 and set the CKS2 to CKS0 bits in WTCSR to appropriate values to secure the specified oscillation settling time.
3. After the STBY bit in STBCR is set to 1, a SLEEP instruction is executed.
4. Software standby mode is entered and the clocks within the LSI are halted. The STATUS1 pin output goes low and the STATUS0 pin output goes high.

### 11.5.2 Canceling Software Standby Mode

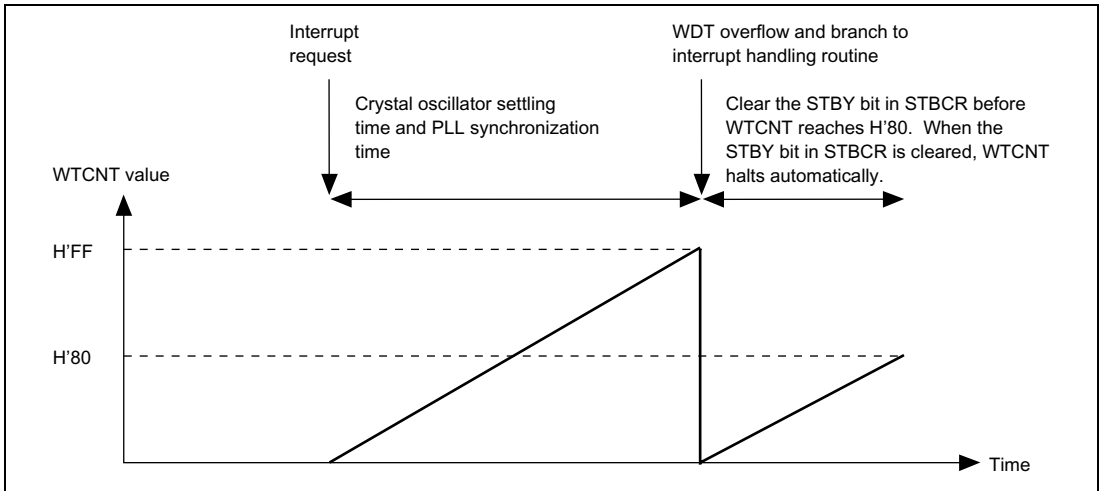
Software standby mode is canceled by an interrupt (NMI, IRQ, IRL, PINT, or RTC) or a reset.

**Canceling with an Interrupt:** The on-chip WDT can be used for hot starts. When the chip detects an NMI, IRQ\*<sup>1</sup>, IRL\*<sup>1</sup>, PINT\*<sup>1</sup>, or RTC\*<sup>1</sup> interrupt, the clock will be supplied to the entire chip and software standby mode canceled after the time set in the WDT's timer control/status register has elapsed. The STATUS1 and STATUS0 pins both go low. Interrupt exception handling then begins and a code indicating the interrupt source is set in INTEVT and INTEVT2. After branching to the interrupt handling routine occurs, clear the STBY bit in STBCR. WTCNT stops automatically. If the STBY bit is not cleared, WTCNT continues operation and transits to software standby mode\*<sup>2</sup> when it reaches H'80. This function prevents data from being broken in case of a voltage rise when the power supply is unstable. At this time, a manual reset is not accepted until the STBY bit is cleared to 0.

Interrupts are accepted in software standby mode even when the BL bit in SR is 1. If necessary, save SPC and SSR to the stack before executing the SLEEP instruction.

Immediately after an interrupt is detected, the phase of the clock output of the CKIO pin may be unstable, until software standby mode is cancelled.

- Notes: 1. Only when the RTC is being used can standby mode be canceled using IRQ, IRL, PINT, or RTC.
2. Use a power-on reset to cancel software standby mode.



**Figure 11.1 Canceling Standby Mode with STBY Bit in STBCR**

**Canceling with a Reset:** Software standby mode is canceled by a reset (power-on or manual). Keep the RESETP or RESETM pins low until the clock oscillation settles. The internal clock will continue to be output to the CKIO pin.

## 11.6 Module Standby Function

### 11.6.1 Transition to Module Standby Function

Setting the standby control register MSTP bits to 1 halts the supply of clocks to the corresponding on-chip peripheral modules. This function can be used to reduce the power consumption in the normal mode and sleep mode. Before making a transition to module standby state, be sure to disable the relevant module.

In module standby state, the functions of the external pins of the on-chip peripheral modules change depending on the on-chip peripheral module and port settings. With a few exceptions, all registers hold their values prior to halt.

## 11.6.2 Canceling Module Standby Function

The module standby function can be canceled by clearing the MSTP bits to 0 or by a power-on reset.

When canceling the module standby function by clearing the corresponding MSTP bit, be sure to read the relevant MSTP bit to confirm that it has been cleared to 0.

## 11.7 Hardware Standby Mode

### 11.7.1 Transition to Hardware Standby Mode

The LSI enters hardware standby mode by driving the CA pin low. In hardware standby mode, as the same as software standby mode entered by executing the SLEEP instruction, all modules halt except ones operated by the RTC clock. Even in hardware standby mode, supply power to all power supply pins including the RTC power supply pins.

As differing from software standby mode, an interrupt or manual reset cannot be accepted in hardware standby mode.

When the CA pin is driven low, the LSI enters hardware standby mode in the following procedure depending on the state of CPG.

**During Software Standby Mode:** The LSI enters the hardware standby state with the clock halted. An interrupt or manual reset cannot be accepted.

**During WDT Operation for Canceling Software Standby Mode by an Interrupt:** The CPU restarts the operation after software standby mode is canceled. Then, the LSI enters hardware standby mode.

**During Sleep Mode:** The CPU restarts the operation after sleep mode is canceled. Then, the LSI enters hardware standby mode.

In hardware standby mode, the CA pin must be held low.

### 11.7.2 Canceling Hardware Standby Mode

The hardware standby function can be canceled only by the power-on reset.

When the CA pin is driven high while the  $\overline{\text{RESETP}}$  pin is low, the clock starts oscillating. Make sure to hold the  $\overline{\text{RESETP}}$  pin low until the oscillation stabilizes. Then, drive the  $\overline{\text{RESETP}}$  pin high to start the power-on resetting by the CPU.

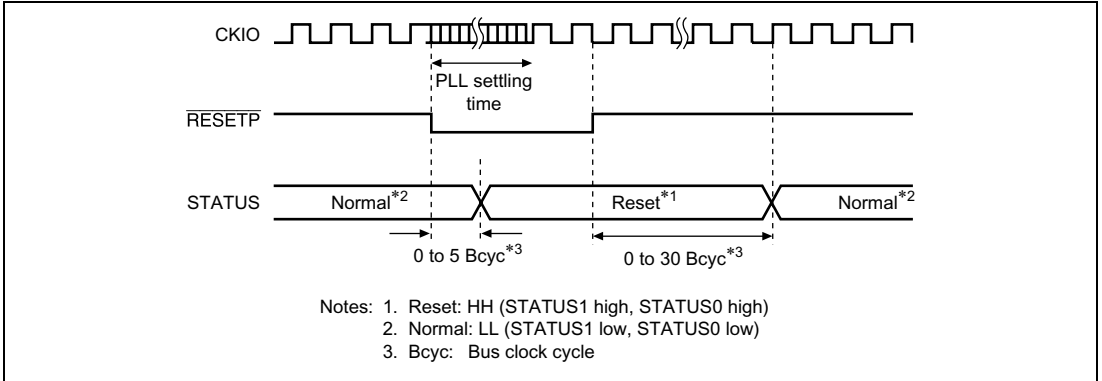
The operation is not guaranteed when an interrupt or manual reset is input.

## 11.8 Timing of STATUS Pin Changes

The timing of the STATUS0 and STATUS1 pin changes is shown in figures 11.2 to 11.9.

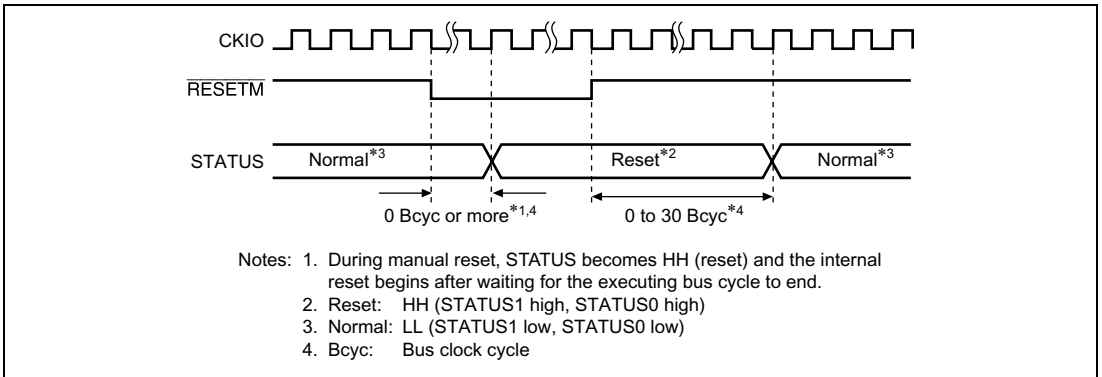
### In Case of A Reset:

#### a. Power-on reset



**Figure 11.2 Power-On Reset STATUS Output**

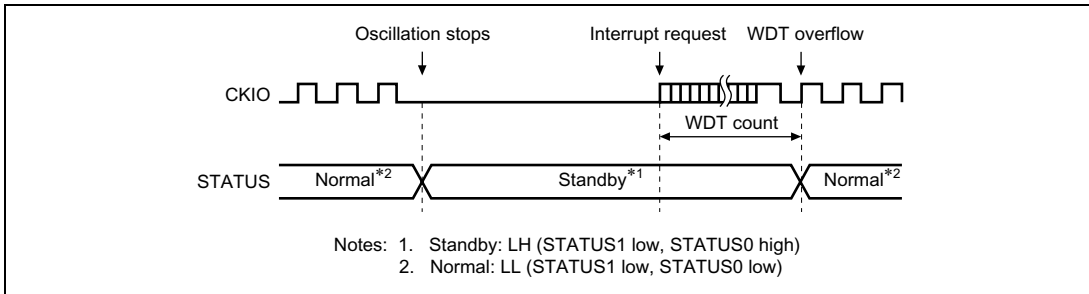
#### b. Manual reset



**Figure 11.3 Manual Reset STATUS Output**

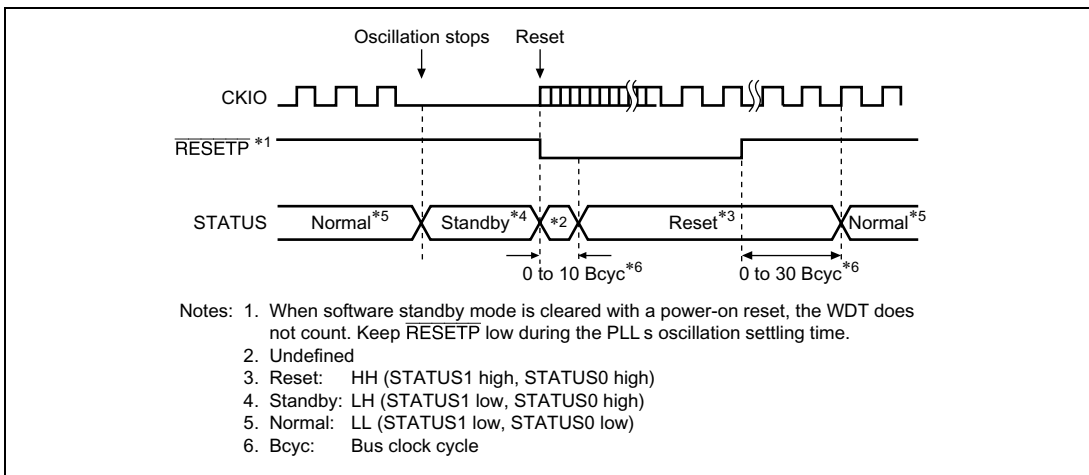
## In Case of Canceling Software Standby:

### a. Canceling software standby by interrupt



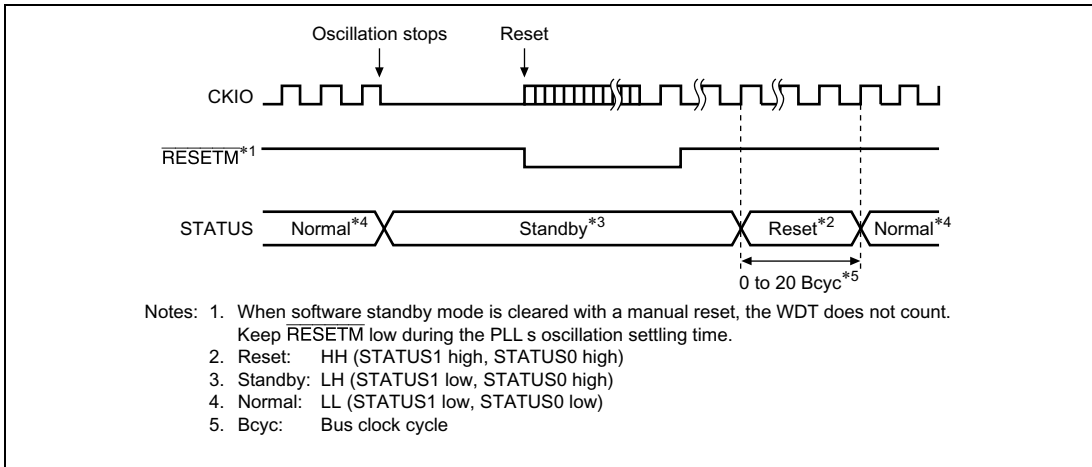
**Figure 11.4 Canceling Software Standby by Interrupt STATUS Output**

### b. Canceling software standby by power-on reset



**Figure 11.5 Canceling Software Standby by Power-On Reset STATUS Output**

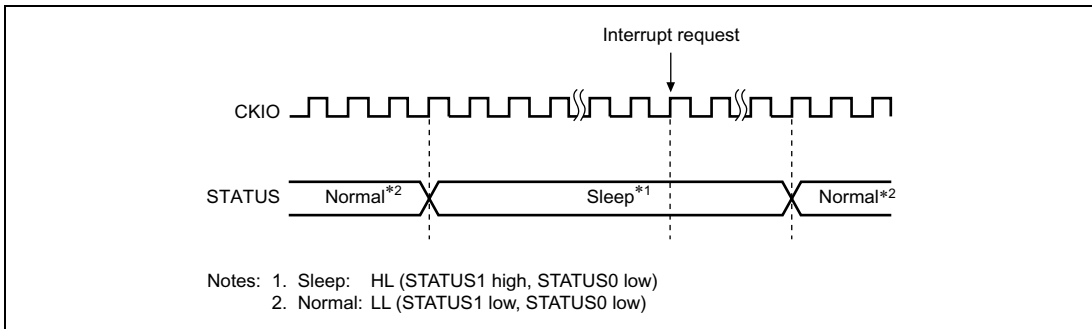
c. Canceling software standby by manual reset



**Figure 11.6 Canceling Software Standby by Manual Reset STATUS Output**

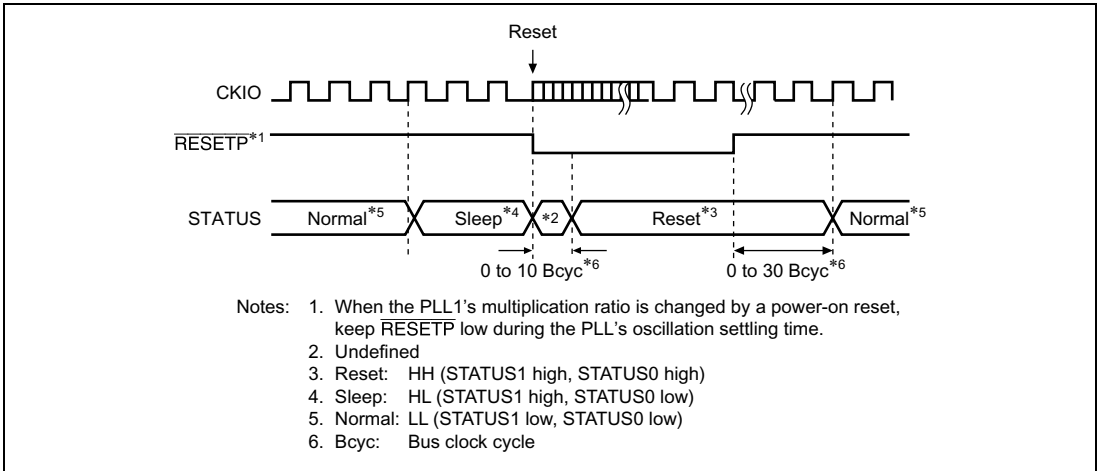
**In Case of Canceling Sleep:**

a. Canceling sleep to interrupt



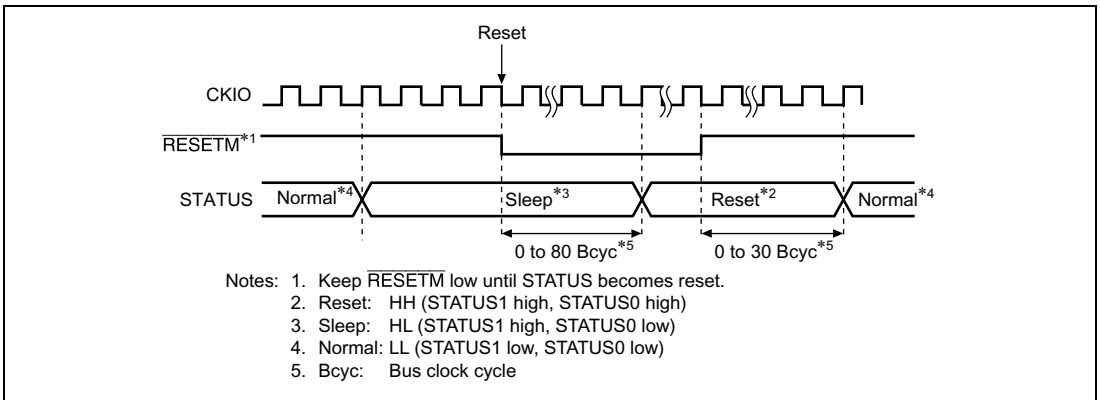
**Figure 11.7 Canceling Sleep by Interrupt STATUS Output**

b. Canceling sleep by power-on reset



**Figure 11.8 Canceling Sleep by Power-On Reset STATUS Output**

c. Canceling sleep by manual reset



**Figure 11.9 Canceling Sleep by Manual Reset STATUS Output**

**In Case of Hardware Standby:**

Figures 11.10 and 11.11 show examples of pin timing in hardware standby mode.

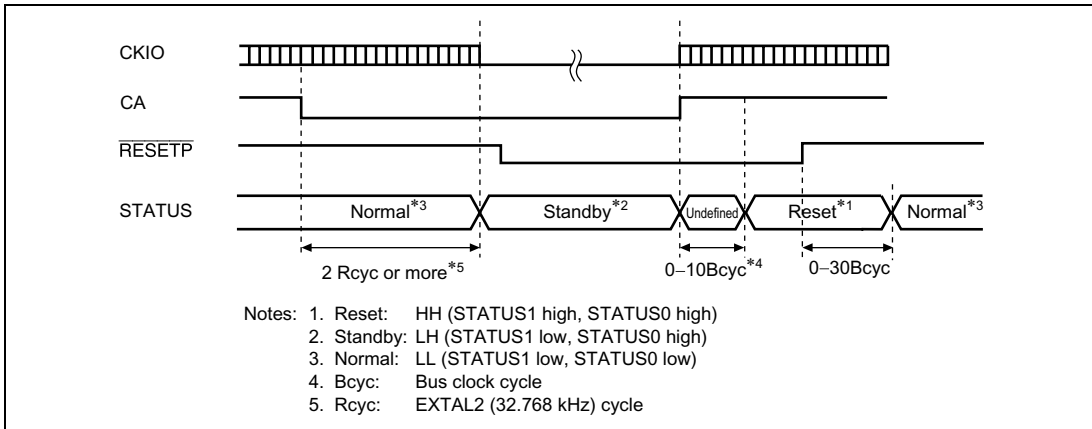
The CA pin is sampled using EXTAL2 (32.768 kHz), and a hardware standby request is only detected when the pin is low for two consecutive clock cycles.

The CA pin must be held low while the chip is in hardware standby mode.

Clock oscillation starts when the CA pin is driven high after the  $\overline{\text{RESETP}}$  pin is driven low.

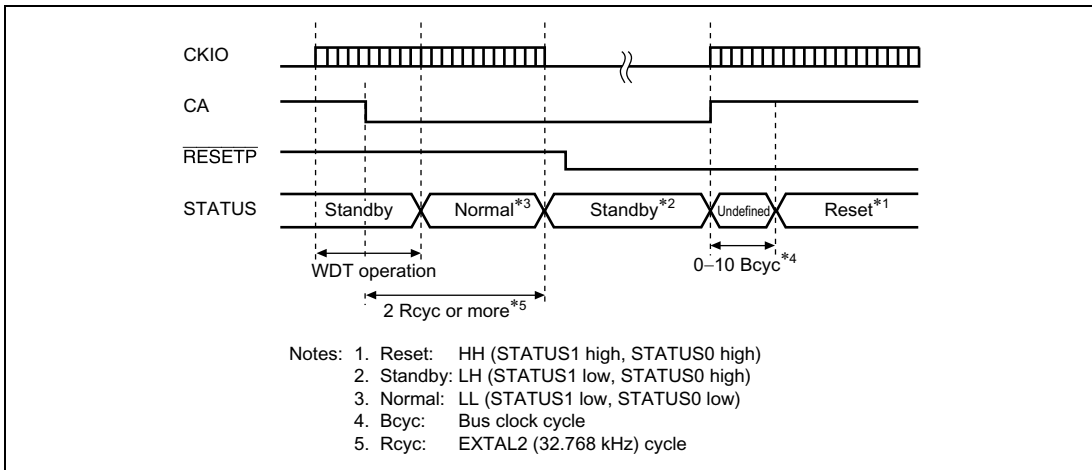


a. Normal operation to hardware standby



**Figure 11.10 Hardware Standby Mode  
(When CA Goes Low in Normal Operation)**

b. Canceling software standby (during WDT operation) to hardware standby



**Figure 11.11 Hardware Standby Mode Timing  
(When CA Goes Low during WDT Operation while Standby Mode Is Canceled)**



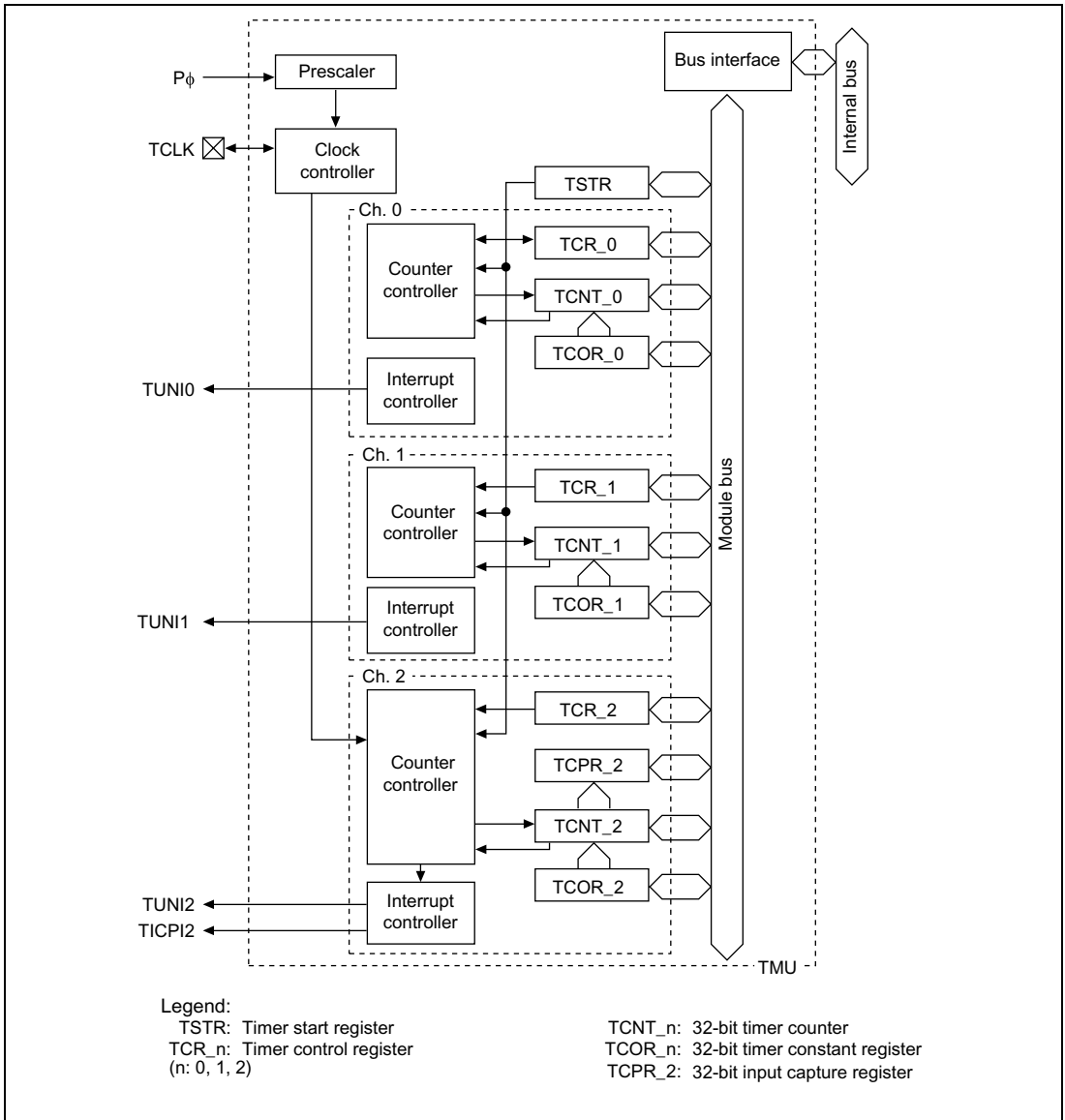
# Section 12 Timer Unit (TMU)

This LSI includes a three-channel 32-bit timer unit (TMU).

## 12.1 Features

- Each channel is provided with an auto-reload 32-bit down counter
- All channels are provided with 32-bit constant registers and 32-bit down counters for an auto-reload function that can be read or written to at any time
- All channels generate interrupt requests when the 32-bit down counter underflows (H'00000000 → H'FFFFFFFF)
- Only channel 2 is provided with an input capture function
- Allows selection among five counter input clocks: External clock (TCLK), P $\phi$ /4, P $\phi$ /16, P $\phi$ /64, and P $\phi$ /256

Figure 12.1 shows a block diagram of the TMU.



**Figure 12.1 TMU Block Diagram**

## 12.2 Input/Output Pin

Table 12.1 shows the pin configuration of the TMU.

**Table 12.1 Pin Configuration**

| Name        | Abbreviation | I/O | Description  |
|-------------|--------------|-----|--|
| Clock input | TCLK         | I   | External clock input pin/input capture control input pin |

## 12.3 Register Descriptions

The TMU has the following registers. Refer to section 24, List of Registers, for more details of the addresses of these registers and state of these registers in each processing state. For the register name for each channel, TCOR for channel 0 is noted as TCOR\_0.

1. Common
  - Timer start register (TSTR)
2. Channel 0
  - Timer constant register\_0 (TCOR\_0)
  - Timer counter\_0 (TCNT\_0)
  - Timer control register\_0 (TCR\_0)
3. Channel 1
  - Timer constant register\_1 (TCOR\_1)
  - Timer counter\_1 (TCNT\_1)
  - Timer control register\_1 (TCR\_1)
4. Channel 2
  - Timer constant register\_2 (TCOR\_2)
  - Timer counter\_2 (TCNT\_2)
  - Timer control register\_2 (TCR\_2)
  - Input capture register\_2 (TCPR\_2)

### 12.3.1 Timer Start Register (TSTR)

TSTR is an 8-bit readable/writable register that selects whether to run or halt the timer counters (TCNT).

TSTR is initialized by satisfying the initialization conditions shown in section 24, List of Registers, changing the multiplication ratio of PLL1, or setting the MSTP2 bit in STBCR to 1.

| Bit    | Bit Name | Initial Value | R/W | Description   |
|--------|----------|---------------|-----|---|
| 7 to 3 | —        | 0             | R   | Reserved<br>These bits are always read as 0. The write value should always be 0.  |
| 2      | STR2     | 0             | R/W | Counter Start 2<br>Selects whether to run or halt timer counter 2 (TCNT_2).<br>0: TCNT_2 count halted<br>1: TCNT_2 counts |
| 1      | STR1     | 0             | R/W | Counter Start 1<br>Selects whether to run or halt timer counter 1 (TCNT_1).<br>0: TCNT_1 count halted<br>1: TCNT_1 counts |
| 0      | STR0     | 0             | R/W | Counter Start 0<br>Selects whether to run or halt timer counter 0 (TCNT_0).<br>0: TCNT_0 count halted<br>1: TCNT_0 counts |

### 12.3.2 Timer Control Registers (TCR)

TCR are 16-bit readable/writable registers that control the timer counters (TCNT) and interrupts.

TCR control the issuance of interrupts when the flag indicating timer counter (TCNT) underflow has been set to 1, and also carry out counter clock selection. When the external clock has been selected, they also select its edge.

Only TCR\_2 controls the input capture function and the issuance of interrupts during input capture.

#### TCR\_0 and TCR\_1:

| Bit     | Bit Name | Initial Value | R/W    | Description   |
|---------|----------|---------------|--------|---|
| 15 to 9 | —        | 0             | R      | Reserved<br>These bits are always read as 0. The write value should always be 0.  |
| 8       | UNF      | 0             | R/(W)* | Underflow Flag<br>Status flag that indicates occurrence of a TCNT underflow.<br>0: TCNT has not underflowed<br>[Clearing condition]<br>0 is written to UNF<br>1: TCNT has underflowed<br>[Setting condition]<br>TCNT underflows             |
| 7, 6    | —        | 0             | R      | Reserved<br>These bits are always read as 0. The write value should always be 0.  |
| 5       | UNIE     | 0             | R/W    | Underflow Interrupt Control<br>Controls enabling of interrupt generation when the status flag (UNF) indicating TCNT underflow has been set to 1.<br>0: Interrupt due to UNF (TUNI) is disabled<br>1: Interrupt due to UNF (TUNI) is enabled |

| Bit | Bit Name | Initial Value | R/W | Description   |
|-----|----------|---------------|-----|---|
| 4   | CKEG1    | 0             | R/W | Clock Edge  |
| 3   | CKEG0    | 0             | R/W | Select an input edge of the external clock when the external clock is selected.<br>00: Count on rising edge<br>01: Count on falling edge<br>1X: Count on both rising and falling edges<br>Note: X: Don't care                         |
| 2   | TPSC2    | 0             | R/W | Timer Prescaler   |
| 1   | TPSC1    | 0             | R/W | Select the TCNT count clock.  |
| 0   | TPSC0    | 0             | R/W | 000: Count on P $\phi$ /4<br>001: Count on P $\phi$ /16<br>010: Count on P $\phi$ /64<br>011: Count on P $\phi$ /256<br>100: Setting prohibited<br>101: Count on TCLK pin input<br>110: Setting prohibited<br>111: Setting prohibited |

Note: \*Only 0 can be written for clearing the flags. If 1 is written to this bit, the prior value is retained.



## TCR\_2:

| Bit      | Bit Name | Initial Value | R/W    | Description  |
|----------|----------|---------------|--------|--|
| 15 to 10 | —        | 0             | R      | Reserved<br>These bits are always read as 0. The write value should always be 0.   |
| 9        | ICPF     | 0             | R/(W)* | Input Capture Interrupt Flag<br>A function of channel 2 only: the flag is set when input capture is requested via the TCLK pin.<br>0: No input capture request has been issued.<br>[Clearing condition]<br>0 is written to ICPF<br>1: Input capture has been requested via the TCLK pin.<br>[Setting condition]<br>When an input capture is requested via the TCLK pin |
| 8        | UNF      | 0             | R/(W)* | Underflow Flag<br>Status flag that indicates occurrence of a TCNT_2 underflow.<br>0: TCNT_2 has not underflowed<br>[Clearing condition]<br>0 is written to UNF<br>1: TCNT_2 has underflowed<br>[Setting condition]<br>TCNT_2 underflows  |

| Bit | Bit Name | Initial Value | R/W | Description  |
|-----|----------|---------------|-----|--|
| 7   | ICPE1    | 0             | R/W | Input Capture Control  |
| 6   | ICPE0    | 0             | R/W | <p>A function of channel 2 only: determines whether the input capture function can be used, and when used, whether or not to enable interrupts.</p> <p>Use the CKEG1 and CKEG0 bits to designate use of either the rising or falling edge of the TCLK pin to set the value of TCNT_2 in TCPR_2.</p> <p>00: Input capture function is not used.</p> <p>01: Setting prohibited</p> <p>10: Input capture function is used. Interrupt due to ICPF (TICPI2) are not enabled.</p> <p>11: Input capture function is used. Interrupt due to ICPF (TICPI2) are enabled.</p> |
| 5   | UNIE     | 0             | R/W | <p>Underflow Interrupt Control</p> <p>Controls enabling of interrupt generation when the status flag (UNF) indicating TCNT_2 underflow has been set to 1.</p> <p>0: Interrupt due to UNF (TUNI2) is not enabled.</p> <p>1: Interrupt due to UNF (TUNI2) is enabled.</p>  |
| 4   | CKEG1    | 0             | R/W | Clock Edge   |
| 3   | CKEG0    | 0             | R/W | <p>Select an input edge of the external clock when the external clock is selected, or when the input capture function is used.</p> <p>00: Count/capture register set on rising edge</p> <p>01: Count/capture register set on falling edge</p> <p>1X: Count/capture register set on both rising and falling edge</p> <p>Note: X: Don't care.</p>  |

| Bit | Bit Name | Initial Value | R/W | Description   |
|-----|----------|---------------|-----|---|
| 2   | TPSC2    | 0             | R/W | Timer Prescaler   |
| 1   | TPSC1    | 0             | R/W | Select the TCNT_2 count clock.  |
| 0   | TPSC0    | 0             | R/W | 000: Count on P $\phi$ /4<br>001: Count on P $\phi$ /16<br>010: Count on P $\phi$ /64<br>011: Count on P $\phi$ /256<br>100: Setting prohibited<br>101: Count on TCLK pin input<br>110: Setting prohibited<br>111: Setting prohibited |

Note: \* Only 0 can be written for clearing the flags. If 1 is written to this bit, the prior value is retained.

### 12.3.3 Timer Constant Registers (TCOR)

TCOR set the value to be set in TCNT when TCNT underflows.

TCOR are 32-bit readable/writable registers. Their initial value is H'FFFFFFFF.

### 12.3.4 Timer Counters (TCNT)

TCNT counts down upon input of a clock. The clock input is selected using the TPSC2 to TPSC0 bits in the timer control register (TCR).

When a TCNT countdown results in an underflow (H'00000000 → H'FFFFFFFF), the underflow flag (UNF) in the timer control register (TCR) of the relevant channel is set. The TCOR value is simultaneously set in TCNT itself and the countdown continues from that value.

Initial value of TCNT is H'FFFFFFFF.

### 12.3.5 Input Capture Register\_2 (TCPR\_2)

TCPR\_2 is a read-only 32-bit register used for the input capture function built only into timer 2. The TCPR\_2 setting conditions due to the TCLK pin are controlled by the input capture function bits (ICPE1/ICPE0 and CKEG1/CKEG0) in TCR\_2. When a TCPR\_2 setting indication due to the TCLK pin occurs, the value of TCNT\_2 is copied into TCPR\_2.

Initial value of TCPR\_2 is undefined.

## 12.4 Operation

Each of the three channels has a 32-bit timer counter (TCNT) and a 32-bit timer constant register (TCOR). The TCNT counts down. The auto-reload function enables synchronized counting and counting by external events. Channel 2 has an input capture function.

### 12.4.1 Counter Operation

When the STR0 to STR2 bits in the timer start register (TSTR) are set to 1, the corresponding timer counter (TCNT) starts counting. When a TCNT underflows, the UNF flag of the corresponding timer control register (TCR) is set. At this time, if the UNIE bit in TCR is 1, an interrupt request is sent to the CPU. Also at this time, the value is copied from TCOR to TCNT and the down-count operation is continued.

**Count Operation Setting Procedure:** An example of the procedure for setting the count operation is shown in figure 12.2.

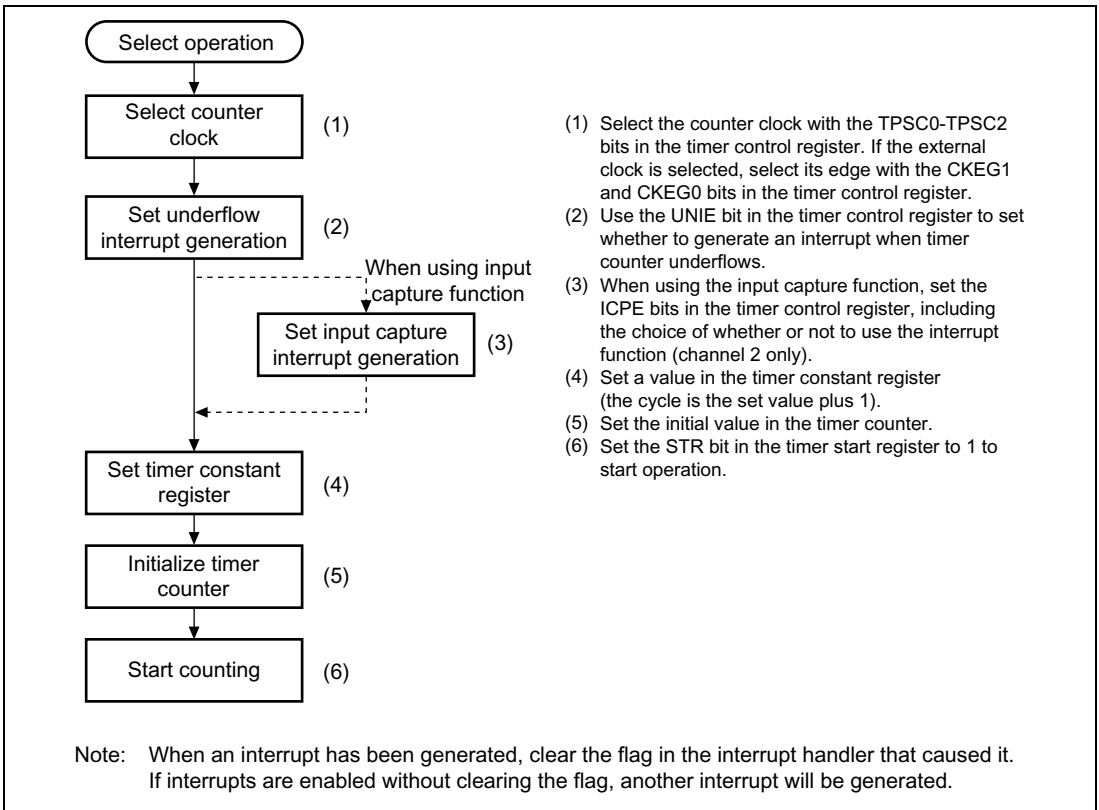
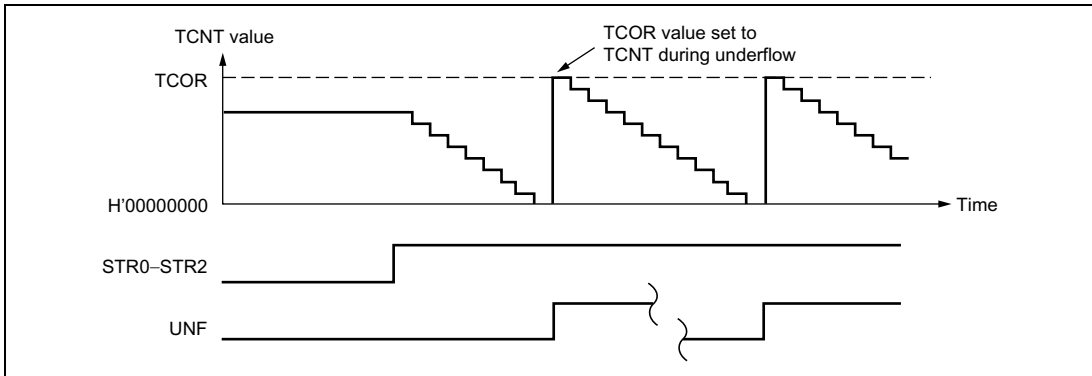


Figure 12.2 Setting Count Operation

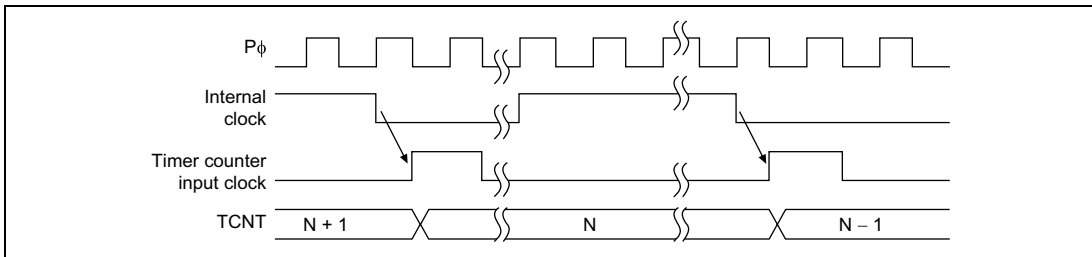
**Auto-Reload Count Operation:** Figure 12.3 shows the TCNT auto-reload operation.



**Figure 12.3 Auto-Reload Count Operation**

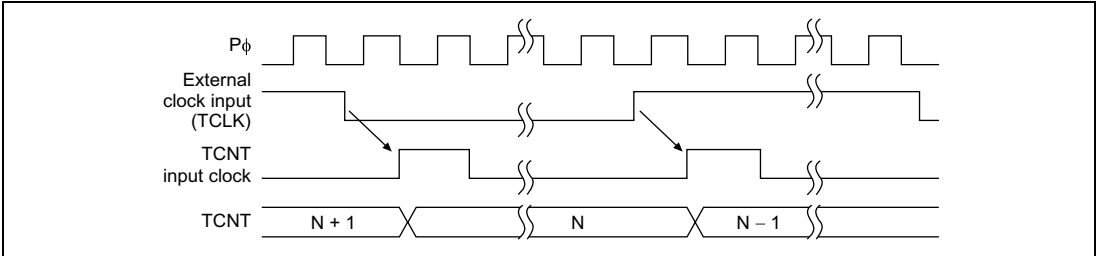
**TCNT Count Timing:**

1. Internal Clock Operation: Set the TPSC2 to TPSC0 bits in TCR to select whether one of the four internal clocks created by dividing the peripheral module clock is used ( $P\phi/4$ ,  $P\phi/16$ ,  $P\phi/64$ ,  $P\phi/256$ ). Figure 12.4 shows the timing.



**Figure 12.4 Count Timing when Internal Clock Is Operating**

- External Clock Operation: Set the TPSC2 to TPSC0 bits in TCR to select the external clock (TCLK) as the timer clock. Use the CKEG1 and CKEG0 bits in TCR to select the detection edge. Rise, fall or both may be selected. The pulse width of the external clock must be at least 2 peripheral module clock cycles ( $P\phi$ ) for single edges or 3 peripheral module clock cycles ( $P\phi$ ) for both edges. A shorter pulse width will result in incorrect operation. Figure 12.5 shows the timing for both-edge detection.

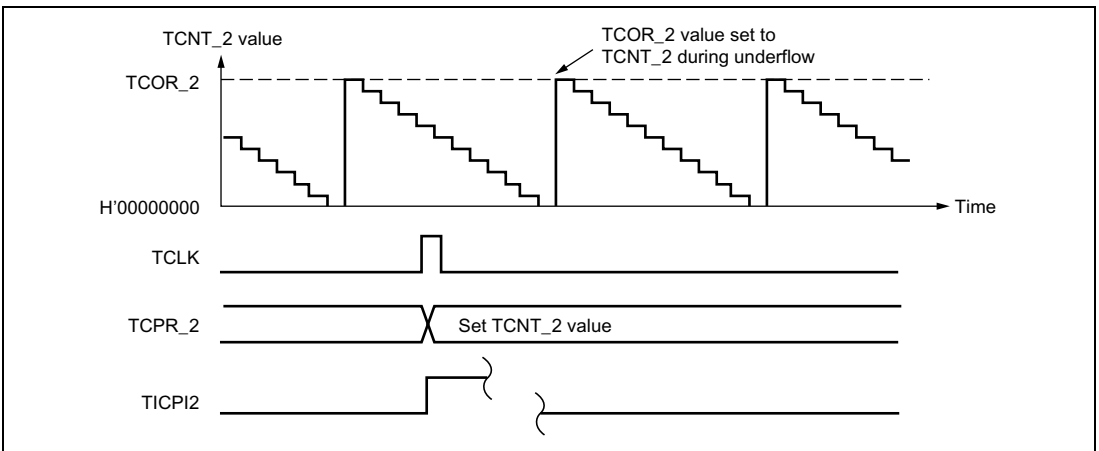


**Figure 12.5 Count Timing when External Clock Is Operating (Both Edges Detected)**

### 12.4.2 Input Capture Function

Channel 2 has an input capture function. When using the input capture function, set the timer operation clock to internal clock with the TPSC2 to TPSC0 bits in TCR\_2. Also, specifies use of the input capture function and whether to generate interrupts on using it with the ICPE1 to ICPE0 bits in TCR\_2, and specifies the use of either the rising or falling edge of the TCLK pin to set the TCNT\_2 value into TCPR\_2 with the CKEG1 to CKEG0 bits in TCR\_2. The input capture function cannot be used in standby mode.

Figure 12.6 shows the timing at the rising edge of the TCLK pin input.



**Figure 12.6 Operation Timing when Using Input Capture Function (Using TCLK Rising Edge)**

## 12.5 Interrupts

There are two sources of TMU interrupts: underflow interrupts (TUNI) and interrupts when using the input capture function (TICPI2).

### 12.5.1 Status Flag Set Timing

The UNF bit is set to 1 when the TCNT underflows. Figure 12.7 shows the timing.

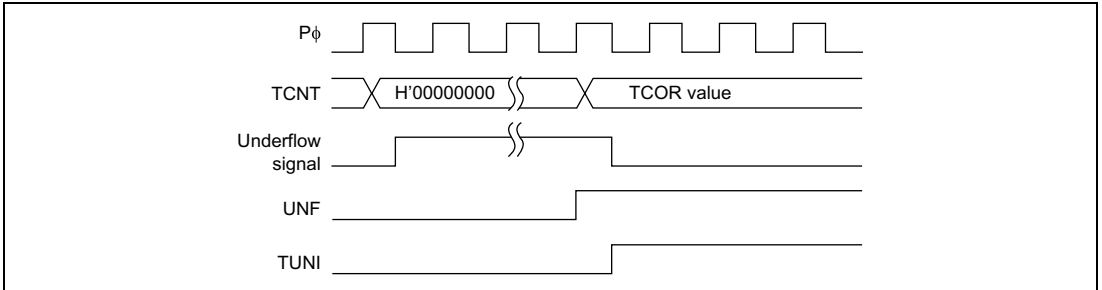


Figure 12.7 UNF Set Timing

### 12.5.2 Status Flag Clear Timing

The status flag can be cleared by writing 0 from the CPU. Figure 12.8 shows the timing.

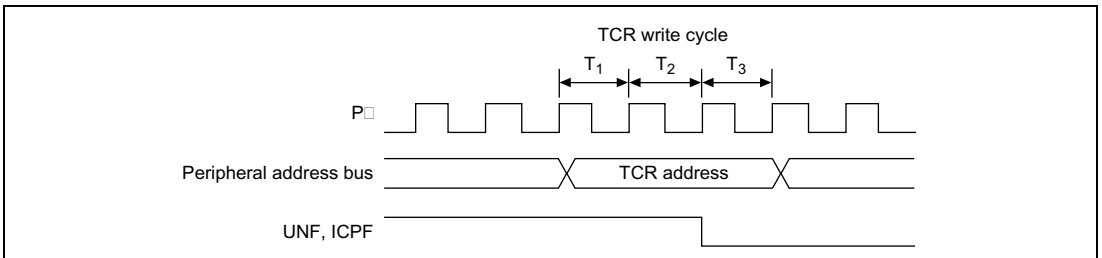


Figure 12.8 Status Flag Clear Timing

### 12.5.3 Interrupt Sources and Priorities

The TMU generates underflow interrupts for each channel. When the interrupt request flag and interrupt enable bit are both set to 1, the relevant interrupt is requested. Codes are set in the interrupt event register (INTEVT and INTEVT2) for these interrupts and interrupt processing must be executed according to the codes.

The relative priorities of channels can be changed using the interrupt controller. For details, see section 5, Exception Handling, and section 6, Interrupt Controller (INTC).

Table 12.2 lists TMU interrupt sources.

**Table 12.2 TMU Interrupt Sources**

| Channel | Interrupt Source | Description               | Priority |
|---------|------------------|---------------------------|----------|
| 0       | TUNI0            | Underflow interrupt 0     | High     |
| 1       | TUNI1            | Underflow interrupt 1     | ↑        |
| 2       | TUNI2            | Underflow interrupt 2     |          |
|         | TICPI2           | Input capture interrupt 2 | Low      |

## 12.6 Usage Notes

### 12.6.1 Writing to Registers

Synchronization processing is not performed for timer counting during register writes. When writing to registers, always clear the appropriate start bits for the channel (STR2 to STR0) in the timer start register (TSTR) to halt timer counting.

### 12.6.2 Reading Registers

Synchronization processing is performed for timer counting during register reads. When timer counting and register read processing are performed simultaneously, the register value before TCNT counting down is read.



# Section 13 Compare Match Timer (CMT)

The DMAC has an on-chip compare match timer (CMT) to generate a DMA transfer request. The CMT has 16-bit counter.

Figure 13.1 shows a CMT block diagram.

## 13.1 Features

- Four types of counter input clock can be selected.  
One of four internal clocks ( $P\phi/4$ ,  $P\phi/8$ ,  $P\phi/16$ ,  $P\phi/64$ ) can be selected.
- Generates a DMA transfer request when compare match occurs. (The CPU interrupt is not supported.)
- When the CMT is not used, the operation can be halted by stopping the clock supply to the CMT so that the power consumption can be reduced.

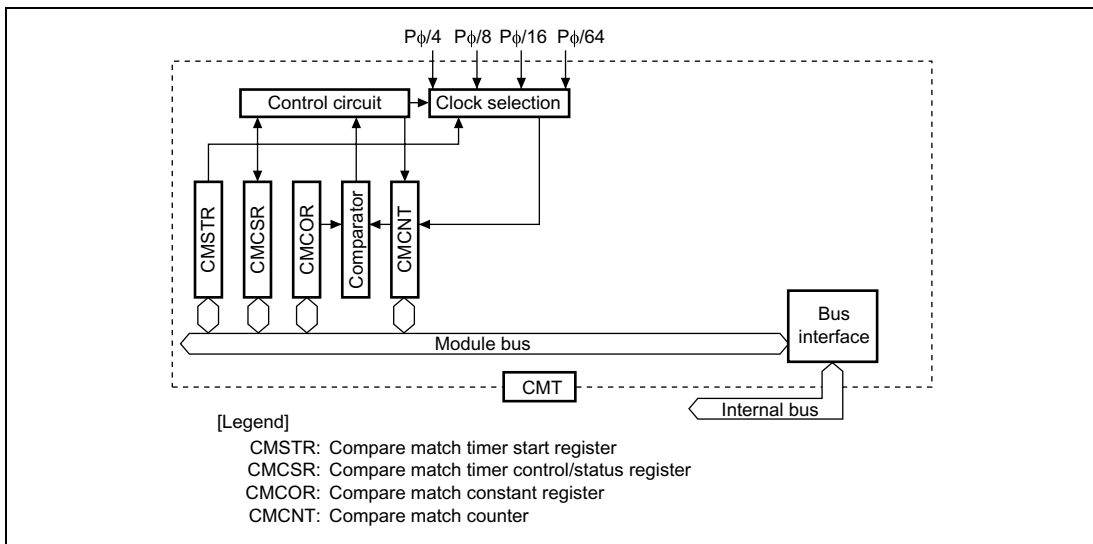


Figure 13.1 CMT Block Diagram

## 13.2 Register Descriptions

The CMT has the following registers. Refer to section 24, List of Registers, for more detail of the addresses and access size.

- Compare match timer start register (CMSTR)
- Compare match timer control/status register (CMCSR)
- Compare match counter (CMCNT)
- Compare match constant register (CMCOR)

### 13.2.1 Compare Match Timer Start Register (CMSTR)

CMSTR is a 16-bit register that selects whether to operate or halt the counter (CMCNT).

| Bit     | Bit Name | Initial Value | R/W | Description   |
|---------|----------|---------------|-----|---|
| 15 to 1 | —        | 0             | R   | Reserved<br>These bits are always read as 0. The write value should always be 0.  |
| 0       | STR      | 0             | R/W | Count Start<br>Selects whether to operate or halt the compare match counter.<br>0: CMCNT count operation halted<br>1: CMCNT count operation |

### 13.2.2 Compare Match Timer Control/Status Register (CMCSR)

CMCSR is a 16-bit register that indicates the occurrence of compare matches, and sets the enable/disable of DMA transfer requests and the clock used for incrementation.

| Bit     | Bit Name | Initial Value | R/W    | Description  |
|---------|----------|---------------|--------|--|
| 15 to 8 | —        | 0             | R      | Reserved<br>These bits are always read as 0. The write value should always be 0.   |
| 7       | CMF      | 0             | R/(W)* | Compare Match Flag<br>Indicates whether CMCNT and CMCOR values have matched or not.<br>0: CMCNT and CMCOR values have not matched [Clearing condition]<br>Write 0 to CMF after reading CMF = 1<br>1: CMCNT and CMCOR values have matched   |
| 6, 5    | —        | 0             | R      | Reserved<br>These bits are always read as 0. The write value should always be 0.   |
| 4       | CMR      | 0             | R/W    | Compare Match Request<br>0: Disables a DMA transfer request<br>1: Enables a DMA transfer request   |
| 3, 2    | —        | 0             | R      | Reserved<br>These bits are always read as 0. The write value should always be 0.   |
| 1       | CKS1     | 0             | R/W    | Clock Select   |
| 0       | CKS0     | 0             | R/W    | Select the clock input to CMCNT from among the four internal clocks obtained by dividing the peripheral clock (P $\phi$ ). When the STR bit in CMSTR is set to 1, CMCNT begins incrementing with the clock selected by the CKS1 and CKS0 bits.<br>00: P $\phi$ /4<br>01: P $\phi$ /8<br>10: P $\phi$ /16<br>11: P $\phi$ /64 |

Note: \*Only 0 can be written for clearing the flags.

### 13.2.3 Compare Match Counter (CMCNT)

CMCNT is a 16-bit register used as an up-counter.

When an internal clock is selected with the CKS1 and CKS0 bits in CMCSR and the STR bit in CMSTR is set to 1, CMCNT begins incrementing with the selected clock. When the CMCNT value matches that of CMCOR, CMCNT is cleared to H'0000 and the CMF flag in CMCSR is set to 1.

The initial value of CMCNT is H'0000.

### 13.2.4 Compare Match Constant Register (CMCOR)

CMCOR is a 16-bit register that sets the compare match period with CMCNT.

The initial value of CMCOR is H'FFFF.

## 13.3 Operation

### 13.3.1 Period Count Operation

When an internal clock is selected with the CKS1 and CKS0 bits in CMCSR and the STR bit in CMSTR is set to 1, CMCNT begins incrementing with the selected clock. When the CMCNT value matches that of CMCOR, CMCNT is cleared to H'0000 and the CMF flag in CMCSR is set to 1. CMCNT begins counting up again from H'0000.

Figure 13.2 shows the compare match counter operation.

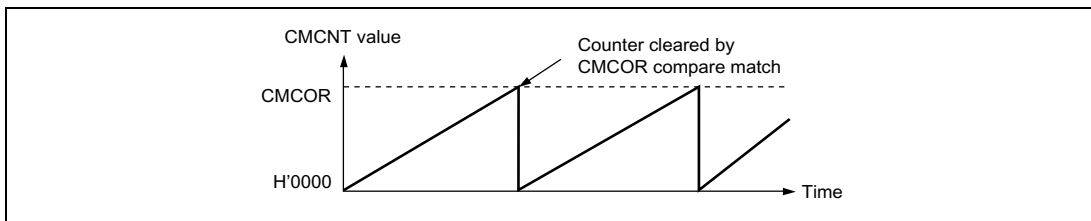


Figure 13.2 Counter Operation

### 13.3.2 CMCNT Count Timing

One of four clocks ( $P\phi/4$ ,  $P\phi/8$ ,  $P\phi/16$ ,  $P\phi/64$ ) obtained by dividing the peripheral clock ( $P\phi$ ) can be selected by the CKS1 and CKS0 bits in CMCSR. Figure 13.3 shows the timing.

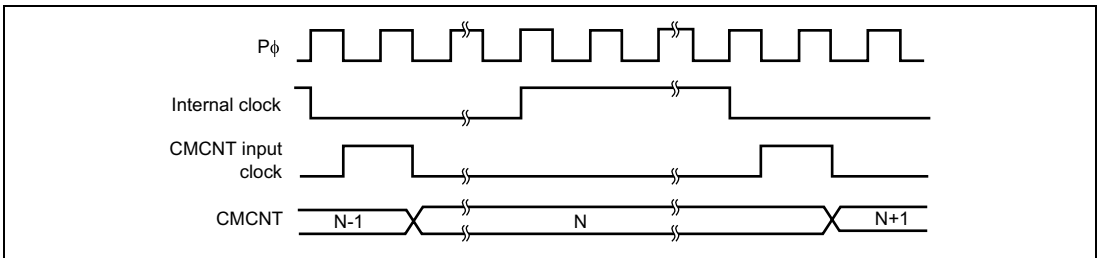


Figure 13.3 Count Timing

### 13.3.3 Compare Match Flag Set Timing

The CMF bit in CMCSR is set to 1 by the compare match signal generated when CMCOR and CMCNT match. The compare match signal is generated upon the final state of the match (timing at which the CMCNT matching count value is updated to H'0000). Consequently, after CMCOR and CMCNT match, a compare match signal will not be generated until a CMCNT clock is input. Figure 13.4 shows the CMF bit set timing.

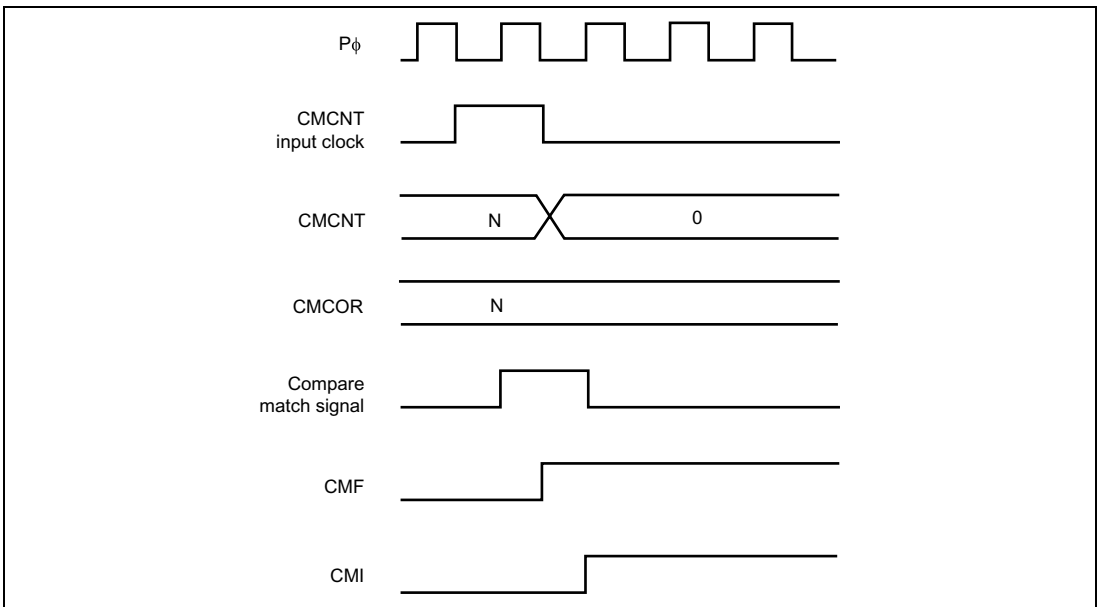


Figure 13.4 CMF Set Timing



# Section 14 16-Bit Timer Pulse Unit (TPU)

This LSI has an on-chip 16-bit timer pulse unit (TPU) that comprises four 16-bit timer channels.

## 14.1 Features

- Maximum 4-pulse output

A total of 16 timer general registers (TGRA to TGRD × 4 ch.) are provided (four each for channels). TGRA can be set as an output compare register.

TGRB, TGRC, and TGRD for each channel can also be used as timer counter clearing registers. TGRC and TGRD can also be used as buffer registers.

- Selection of four counter input clocks for channels 0 to 3
- The following operations can be set for each channel:

Waveform output at compare match: Selection of 0, 1, or toggle output

Counter clear operation: Counter clearing possible by compare match

PWM mode: Any PWM output duty cycle can be set

Maximum of 4-phase PWM output possible

- Buffer operation settable for each channel  
Automatic rewriting of output compare register possible
- An interrupt request for each channel  
Compare match and overflow interrupt requests can be enabled or disabled for each source independently

Table 14.1 lists the functions of the TPU.

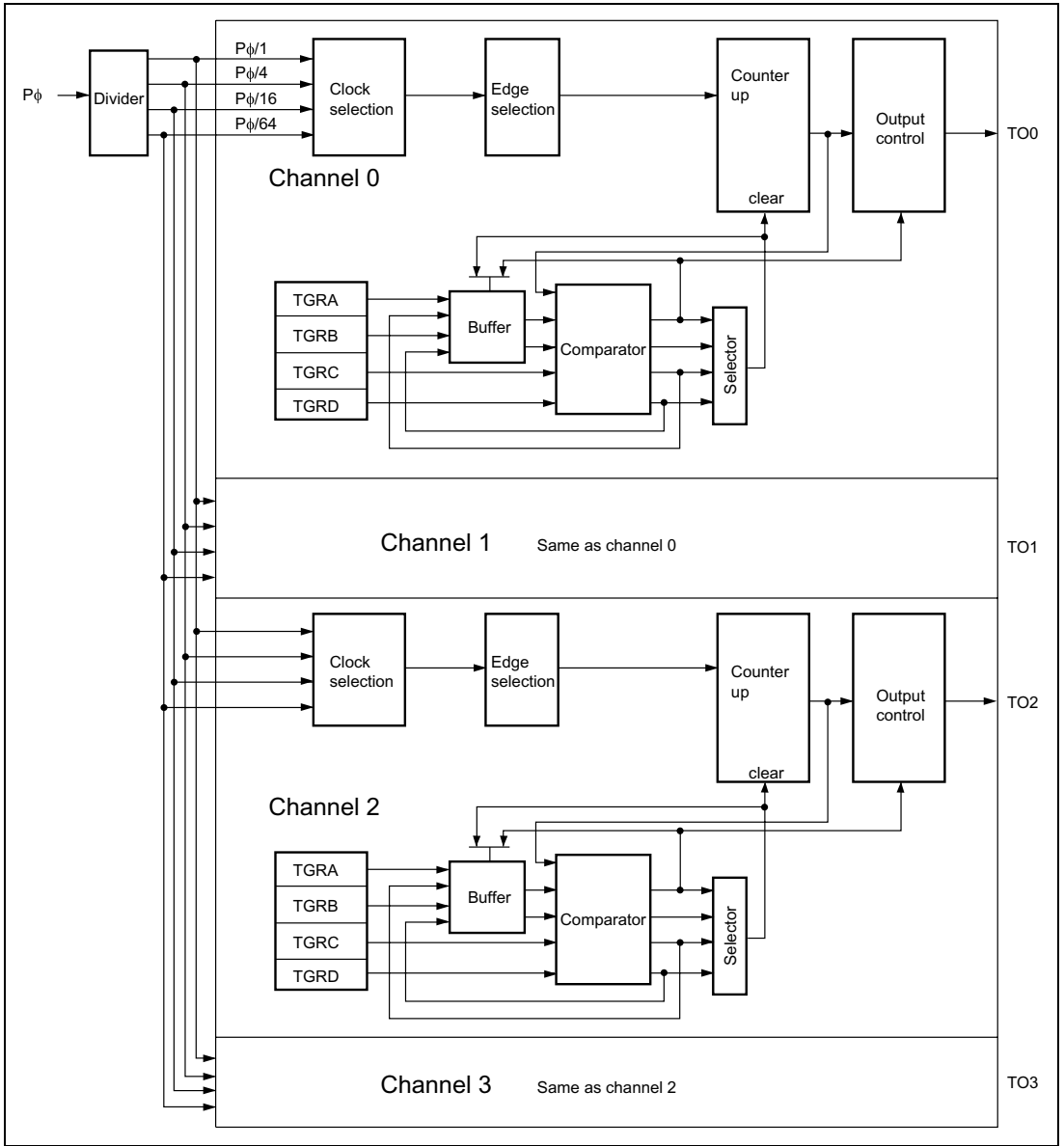
**Table 14.1 TPU Functions**

| Item                                   | Channel 0            | Channel 1            | Channel 2            | Channel 3            |
|--|----------------------|----------------------|----------------------|----------------------|
| Count clock                            | P $\phi$ /1          | P $\phi$ /1          | P $\phi$ /1          | P $\phi$ /1          |
|  | P $\phi$ /4          | P $\phi$ /4          | P $\phi$ /4          | P $\phi$ /4          |
|  | P $\phi$ /16         | P $\phi$ /16         | P $\phi$ /16         | P $\phi$ /16         |
|  | P $\phi$ /64         | P $\phi$ /64         | P $\phi$ /64         | P $\phi$ /64         |
| General registers                      | TGR0A                | TGR1A                | TGR2A                | TGR3A                |
|  | TGR0B                | TGR1B                | TGR2B                | TGR3B                |
| General registers/<br>buffer registers | TGR0C                | TGR1C                | TGR2C                | TGR3C                |
|  | TGR0D                | TGR1D                | TGR2D                | TGR3D                |
| Output pins                            | TO0                  | TO1                  | TO2                  | TO3                  |
| Counter clear<br>function              | TGR compare<br>match | TGR compare<br>match | TGR compare<br>match | TGR compare<br>match |
| Compare match<br>output                | 0 output             | ○                    | ○                    | ○                    |
|  | 1 output             | ○                    | ○                    | ○                    |
|  | Toggle<br>output     | ○                    | ○                    | ○                    |
| PWM mode                               | ○                    | ○                    | ○                    | ○                    |
| Buffer operation                       | ○                    | ○                    | ○                    | ○                    |
| Interrupt sources                      | 5 sources            | 5 sources            | 5 sources            | 5 sources            |
|  | • Compare<br>match   | • Compare<br>match   | • Compare<br>match   | • Compare<br>match   |
|  | • Overflow           | • Overflow           | • Overflow           | • Overflow           |

**Legend**

- : Possible  
 —: Not possible





**Figure 14.1 Block Diagram of TPU**

## 14.2 Input/Output Pins

Table 14.2 shows the pin configuration of the TPU.

**Table 14.2 Pin Configuration**

| Channel | Name                   | Symbol | I/O | Function                                   |
|---------|------------------------|--------|-----|--|
| 0       | Output compare match 0 | TO0    | O   | TGR0A output compare output/PWM output pin |
| 1       | Output compare match 1 | TO1    | O   | TGR1A output compare output/PWM output pin |
| 2       | Output compare match 2 | TO2    | O   | TGR2A output compare output/PWM output pin |
| 3       | Output compare match 3 | TO3    | O   | TGR3A output compare output/PWM output pin |

## 14.3 Register Descriptions

The TPU has the following registers. Refer to section 24, List of Registers, for more details of the addresses of these registers and state of these registers in each processing state. For the register name for each channel, TCR for channel 0 is noted as TCR\_0.

### 1. Channel 0

- Timer control register\_0 (TCR\_0)
- Timer mode register\_0 (TMDR\_0)
- Timer I/O control register\_0 (TIOR\_0)
- Timer interrupt enable register\_0 (TIER\_0)
- Timer status register\_0 (TSR\_0)
- Timer counter\_0 (TCNT\_0)
- Timer general register A\_0 (TGRA\_0)
- Timer general register B\_0 (TGRB\_0)
- Timer general register C\_0 (TGRC\_0)
- Timer general register D\_0 (TGRD\_0)

### 2. Channel 1

- Timer control register\_1 (TCR\_1)
- Timer mode register\_1 (TMDR\_1)
- Timer I/O control register\_1 (TIOR\_1)
- Timer interrupt enable register\_1 (TIER\_1)
- Timer status register\_1 (TSR\_1)

- Timer counter\_1 (TCNT\_1)
  - Timer general register A\_1 (TGRA\_1)
  - Timer general register B\_1 (TGRB\_1)
  - Timer general register C\_1 (TGRC\_1)
  - Timer general register D\_1 (TGRD\_1)
3. Channel 2
- Timer control register\_2 (TCR\_2)
  - Timer mode register\_2 (TMDR\_2)
  - Timer I/O control register\_2 (TIOR\_2)
  - Timer interrupt enable register\_2 (TIER\_2)
  - Timer status register 2 (TSR\_2)
  - Timer counter\_2 (TCNT\_2)
  - Timer general register A\_2 (TGRA\_2)
  - Timer general register B\_2 (TGRB\_2)
  - Timer general register C\_2 (TGRC\_2)
  - Timer general register D\_2 (TGRD\_2)
4. Channel 3
- Timer control register\_3 (TCR\_3)
  - Timer mode register\_3 (TMDR\_3)
  - Timer I/O control register\_3 (TIOR\_3)
  - Timer interrupt enable register\_3 (TIER\_3)
  - Timer status register\_3 (TSR\_3)
  - Timer counter\_3 (TCNT\_3)
  - Timer general register A\_3 (TGRA\_3)
  - Timer general register B\_3 (TGRB\_3)
  - Timer general register C\_3 (TGRC\_3)
  - Timer general register D\_3 (TGRD\_3)
5. Common
- Timer start register (TSTR)

### 14.3.1 Timer Control Registers (TCR)

TCR are 16-bit registers that control the TCNT channels.

TCR register settings should be made only when TCNT operation is stopped.

| Bit     | Bit Name | Initial Value | R/W | Description  |
|---------|----------|---------------|-----|--|
| 15 to 8 | —        | 0             | R   | Reserved<br>These bits are always read as 0 and cannot be modified.  |
| 7       | CCLR2    | 0             | R/W | Counter Clear  |
| 6       | CCLR1    | 0             | R/W | Select the TCNT clearing source.   |
| 5       | CCLR0    | 0             | R/W | 000: TCNT clearing disabled<br>001: TCNT cleared by TGRA compare match<br>010: TCNT cleared by TGRB compare match<br>011: Setting prohibited<br>100: TCNT clearing disabled<br>101: TCNT cleared by TGRC compare match<br>110: TCNT cleared by TGRD compare match<br>111: Setting prohibited   |
| 4       | CKEG1    | 0             | R/W | Clock Edge   |
| 3       | CKEG0    | 0             | R/W | Select the input clock edge. When the internal clock is counted using both edges, the input clock period is halved (e.g. $P\phi/4$ both edges = $P\phi/2$ rising edge).<br>00: Count at rising edge<br>01: Count at falling edge<br>1X: Count at both edges*<br>[Legend] X: Don't care<br>Note: * Internal-clock edge selection is valid when the input clock is $P\phi/4$ or slower. If the input clock is $P\phi/1$ , this operation is not performed. |
| 2       | TPSC2    | 0             | R/W | Timer Prescaler  |
| 1       | TPSC1    | 0             | R/W | Select the TCNT count clock. The clock source can be selected independently for each channel. Table 14.3 shows the clock sources that can be set for each channel. For more information on count clock selection, see table 14.4.  |
| 0       | TPSC0    | 0             | R/W |  |

**Table 14.3 TPU Clock Sources**

| Channel | Internal Clock |             |              |              |
|---------|----------------|-------------|--------------|--------------|
|         | P $\phi$ /1    | P $\phi$ /4 | P $\phi$ /16 | P $\phi$ /64 |
| 0       | ○              | ○           | ○            | ○            |
| 1       | ○              | ○           | ○            | ○            |
| 2       | ○              | ○           | ○            | ○            |
| 3       | ○              | ○           | ○            | ○            |

[Legend]

○ : Setting

Blank: No setting

**Table 14.4 TPSC2 to TPSC0 (1)**

| Channel | Bit 2<br>TPSC2 | Bit 1<br>TPSC1 | Bit 0<br>TPSC0 | Description                            |
|---------|----------------|----------------|----------------|--|
| 0       | 0              | 0              | 0              | Internal clock: counts on P $\phi$ /1  |
|         |                |                | 1              | Internal clock: counts on P $\phi$ /4  |
|         |                |                | 0              | Internal clock: counts on P $\phi$ /16 |
|         |                |                | 1              | Internal clock: counts on P $\phi$ /64 |
| 1       | X              | X              |                | Setting prohibited                     |

Note: X: Don't care

**Table 14.4 TPSC2 to TPSC0 (2)**

| Channel | Bit 2<br>TPSC2 | Bit 1<br>TPSC1 | Bit 0<br>TPSC0 | Description                            |
|---------|----------------|----------------|----------------|--|
| 1       | 0              | 0              | 0              | Internal clock: counts on P $\phi$ /1  |
|         |                |                | 1              | Internal clock: counts on P $\phi$ /4  |
|         |                |                | 0              | Internal clock: counts on P $\phi$ /16 |
|         |                |                | 1              | Internal clock: counts on P $\phi$ /64 |
| 1       | X              | X              |                | Setting prohibited                     |

Note: X: Don't care

**Table 14.4 TPSC2 to TPSC0 (3)**

| Channel | Bit 2<br>TPSC2 | Bit 1<br>TPSC1 | Bit 0<br>TPSC0     | Description                            |
|---------|----------------|----------------|--------------------|--|
| 2       | 0              | 0              | 0                  | Internal clock: counts on P $\phi$ /1  |
|         |                |                | 1                  | Internal clock: counts on P $\phi$ /4  |
|         | 1              | 1              | 0                  | Internal clock: counts on P $\phi$ /16 |
|         |                |                | 1                  | Internal clock: counts on P $\phi$ /64 |
| 1       | X              | X              | Setting prohibited |  |

Note: X: Don't care

**Table 14.4 TPSC2 to TPSC0 (4)**

| Channel | Bit 2<br>TPSC2 | Bit 1<br>TPSC1 | Bit 0<br>TPSC0     | Description                            |
|---------|----------------|----------------|--------------------|--|
| 3       | 0              | 0              | 0                  | Internal clock: counts on P $\phi$ /1  |
|         |                |                | 1                  | Internal clock: counts on P $\phi$ /4  |
|         | 1              | 1              | 0                  | Internal clock: counts on P $\phi$ /16 |
|         |                |                | 1                  | Internal clock: counts on P $\phi$ /64 |
| 1       | X              | X              | Setting prohibited |  |

Note: X: Don't care

### 14.3.2 Timer Mode Registers (TMDR)

TMDR are 16-bit readable/writable registers that are used to set the operating mode for each channel.

TMDR register settings should be made only when TCNT operation is stopped.

| Bit     | Bit Name | Initial Value | R/W | Description  |
|---------|----------|---------------|-----|--|
| 15 to 7 | —        | 0             | R   | Reserved<br>These bits are always read as 0 and cannot be modified.  |
| 6       | BFWT     | 0             | R/W | Buffer Write Timing<br>Specifies TGRA and TGRB update timing when TGRC and TGRD are used as a compare match buffer. When TGRC and TGRD are not used as a compare match buffer register, this bit is ignored.<br><br>0: TGRA and TGRB are rewritten at compare match of each register.<br>1: TGRA and TGRB are rewritten in counter clearing. |
| 5       | BFB      | 0             | R/W | Buffer Operation B<br>Specifies whether TGRB is to operate in the normal way, or TGRB and TGRD are to be used together for buffer operation.<br><br>0: TGRB operates normally<br>1: TGRB and TGRD used together for buffer operation   |
| 4       | BFA      | 0             | R/W | Buffer Operation A<br>Specifies whether TGRA is to operate in the normal way, or TGRA and TGRC are to be used together for buffer operation.<br><br>0: TGRA operates normally<br>1: TGRA and TGRC used together for buffer operation   |
| 3       | —        | 0             | R   | Reserved<br>This bit is always read as 0 and cannot be modified.   |
| 2       | MD2      | 0             | R/W | Timer Operating Mode   |
| 1       | MD1      | 0             | R/W | Set the timer-operating mode.  |
| 0       | MD0      | 0             | R/W | 000: Normal operation<br>001: Setting prohibited<br>010: PWM mode<br>011: Setting prohibited<br>1XX: Setting prohibited<br>Note: X: Don't care   |

### 14.3.3 Timer I/O Control Registers (TIOR)

TIOR are 16-bit registers that control the TO pin.

TIOR register settings should be made only when TCNT operation is stopped.

Care is required since TIOR is affected by the TMDR setting.

| Bit     | Bit Name | Initial Value | R/W | Description   |
|---------|----------|---------------|-----|---|
| 15 to 3 | —        | 0             | R   | Reserved<br>These bits are always read as 0 and cannot be modified.                               |
| 2       | IOA2     | 0             | R/W | I/O Control   |
| 1       | IOA1     | 0             | R/W | Bits IOA2 to IOA0 specify the functions of TGRA and the TO pin. For details, refer to table 14.5. |
| 0       | IOA0     | 0             | R/W |   |

Table 14.5 IOA2 to IOA0

| Channel | Bit 2 | Bit 1 | Bit 0 | Description                           |
|---------|-------|-------|-------|---------------------------------------|
|         | IOA2  | IOA1  | IOA0  |                                       |
| 0 to 3  | 0     | 0     | 0     | Always 0 output                       |
|         |       |       | 1     | Initial output is 0 output for TO pin |
|         |       |       | 0     | 0 output at TGRA compare match*       |
|         |       |       | 1     | 1 output at TGRA compare match        |
| 1       | 0     | 0     | 1     | Toggle output at TGRA compare match*  |
|         |       |       | 1     | Always 1 output                       |
|         |       |       | 0     | Initial output is 1 output for TO pin |
|         |       |       | 1     | 0 output at TGRA compare match        |
| 1       | 1     | 0     | 0     | 1 output at TGRA compare match*       |
|         |       |       | 1     | Toggle output at TGRA compare match*  |
|         |       |       | 0     | Initial output is 1 output for TO pin |
|         |       |       | 1     | 0 output at TGRA compare match        |
| 1       | 1     | 1     | 0     | 1 output at TGRA compare match*       |
|         |       |       | 1     | Toggle output at TGRA compare match*  |
|         |       |       | 0     | Initial output is 1 output for TO pin |
|         |       |       | 1     | 0 output at TGRA compare match        |

Note: \* This setting is invalid in PWM mode.



### 14.3.4 Timer Interrupt Enable Registers (TIER)

TIER are 16-bit registers that control enabling or disabling of interrupt requests for each channel.

| Bit     | Bit Name | Initial Value | R/W | Description   |
|---------|----------|---------------|-----|---|
| 15 to 5 | —        | 0             | R   | Reserved<br>These bits are always read as 0 and cannot be modified.   |
| 4       | TCIEV    | 0             | R/W | Overflow Interrupt Enable<br>Enables or disables interrupt requests by the TCFV bit when the TCFV bit in TSR is set to 1 (TCNT overflow).<br>0: Interrupt requests by TCFV disabled<br>1: Interrupt requests by TCFV enabled            |
| 3       | TGIED    | 0             | R/W | TGR Interrupt Enable D<br>Enables or disables interrupt requests by the TGFD bit when the TGFD bit in TSR is set to 1 (TCNT and TGRD compare match).<br>0: Interrupt requests by TGFD disabled<br>1: Interrupt requests by TGFD enabled |
| 2       | TGIEC    | 0             | R/W | TGR Interrupt Enable C<br>Enables or disables interrupt requests by the TGFC bit when the TGFC bit in TSR is set to 1 (TCNT and TGRC compare match).<br>0: Interrupt requests by TGFC disabled<br>1: Interrupt requests by TGFC enabled |
| 1       | TGIEB    | 0             | R/W | TGR Interrupt Enable B<br>Enables or disables interrupt requests by the TGFB bit when the TGFB bit in TSR is set to 1 (TCNT and TGRB compare match).<br>0: Interrupt requests by TGFB disabled<br>1: Interrupt requests by TGFB enabled |
| 0       | TGIEA    | 0             | R/W | TGR Interrupt Enable A<br>Enables or disables interrupt requests by the TGFA bit when the TGFA bit in TSR is set to 1 (TCNT and TGRA compare match).<br>0: Interrupt requests by TGFA disabled<br>1: Interrupt requests by TGFA enabled |

### 14.3.5 Timer Status Registers (TSR)

TSR are 16-bit registers that indicate the status of each channel.

| Bit     | Bit Name | Initial Value | R/W    | Description  |
|---------|----------|---------------|--------|--|
| 15 to 5 | —        | 0             | R      | Reserved<br>These bits are always read as 0 and cannot be modified.  |
| 4       | TCFV     | 0             | R/(W)* | Overflow Flag<br>Status flag that indicates that TCNT overflow has occurred.<br>[Clearing condition]<br>When 0 is written to TCFV after reading TCFV = 1<br>[Setting condition]<br>When the TCNT value overflows (changes from H'FFFF to H'0000) |
| 3       | TGFD     | 0             | R/(W)* | Output Compare Flag D<br>Status flag that indicates the occurrence of TGRD compare match.<br>[Clearing condition]<br>When 0 is written to TGFD after reading TGFD = 1<br>[Setting condition]<br>When TCNT = TGRD                                 |
| 2       | TGFC     | 0             | R/(W)* | Output Compare Flag C<br>Status flag that indicates the occurrence of TGRC compare match.<br>[Clearing condition]<br>When 0 is written to TGFC after reading TGFC = 1<br>[Setting condition]<br>When TCNT = TGRC                                 |
| 1       | TGFB     | 0             | R/(W)* | Output Compare Flag B<br>Status flag that indicates the occurrence of TGRB compare match.<br>[Clearing condition]<br>When 0 is written to TGFB after reading TGFB = 1<br>[Setting condition]<br>When TCNT = TGRB                                 |

| Bit | Bit Name | Initial Value | R/W    | Description  |
|-----|----------|---------------|--------|--|
| 0   | TGFA     | 0             | R/(W)* | Output Compare Flag A<br>Status flag that indicates the occurrence of TGRA compare match.<br>[Clearing condition]<br>When 0 is written to TGFA after reading TGFA = 1<br>[Setting condition]<br>When TCNT = TGRA |

Note: \*Only 0 can be written for clearing the flags.

### 14.3.6 Timer Counters (TCNT)

TCNT are 16-bit counters.

The initial value of TCNT is H'0000.

### 14.3.7 Timer General Registers (TGR)

TGR are 16-bit registers.

TGRC and TGRD can also be designated for operation as buffer registers\*. The initial value of TGR is H'FFFF.

Note: \*TGR buffer register combinations are TGRA—TGRC and TGRB—TGRD.

### 14.3.8 Timer Start Register (TSTR)

TSTR is a 16-bit readable/writable register that selects TCNT operation/stoppage for channels 0 to 3.

| Bit     | Bit Name | Initial Value | R/W | Description   |
|---------|----------|---------------|-----|---|
| 15 to 4 | —        | 0             | R   | Reserved<br>These bits are always read as 0 and cannot be modified. |
| 3       | CST3     | 0             | R/W | Counter Start   |
| 2       | CST2     | 0             | R/W | Select operation or stoppage for TCNT.                              |
| 1       | CST1     | 0             | R/W | 0: TCNTn count operation is stopped                                 |
| 0       | CST0     | 0             | R/W | 1: TCNTn performs count operation<br>[Legend] n = 3 to 0            |

## 14.4 Operation

### 14.4.1 Overview

Operation in each mode is outlined below.

**Normal Operation:** Each channel has a TCNT and TGR register. TCNT performs up-counting, and is also capable of free-running operation and periodic counting.

**Buffer Operation:** When a compare match occurs, the value in the buffer register for the relevant channel is transferred to TGR. For update timing from a buffer register, rewriting on compare match occurrence or on counter clearing can be selected.

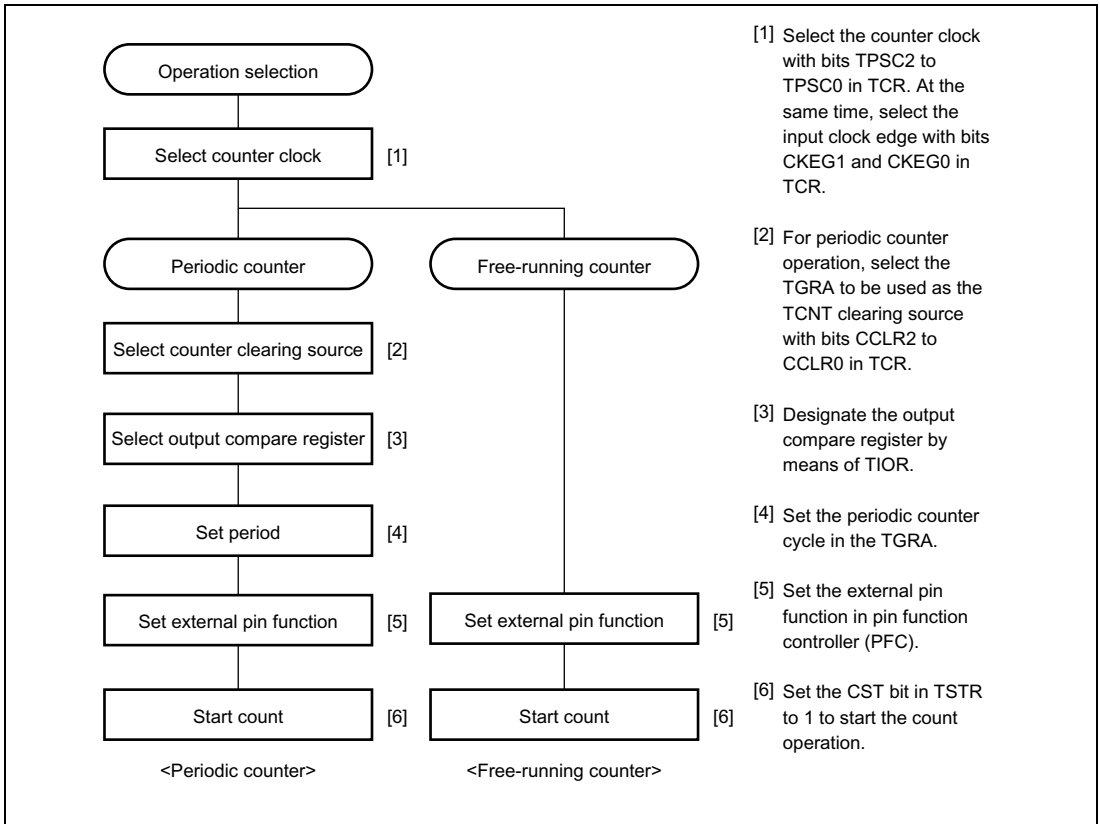
**PWM Mode:** In this mode, a PWM waveform is output. The output level can be set by means of TIOR. A PWM waveform with a duty cycle of between 0% and 100% can be output, according to the setting of each TGR register.

## 14.4.2 Basic Functions

**Counter Operation:** When one of bits CST0 to CST3 is set to 1 in TSTR, the TCNT counter for the corresponding channel starts counting. TCNT can operate as a free-running counter, periodic counter, and so on.

- Example of count operation setting procedure

Figure 14.2 shows an example of the count operation setting procedure.

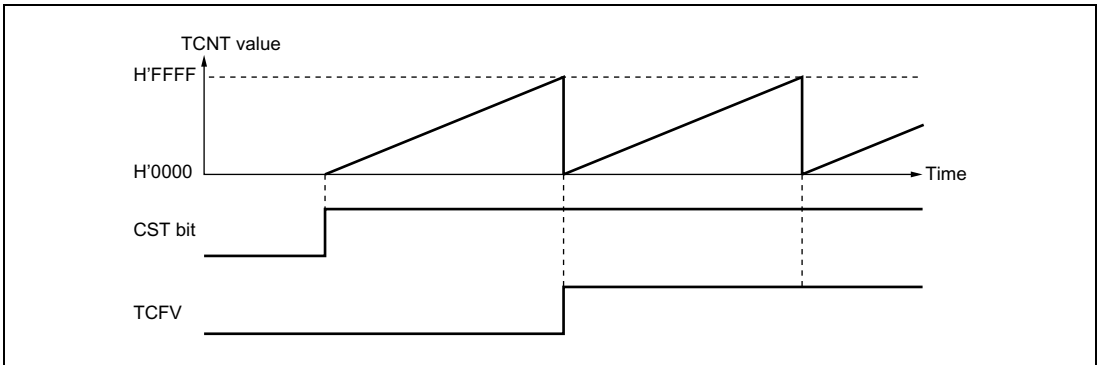


**Figure 14.2 Example of Counter Operation Setting Procedure**

- Free-running count operation and periodic count operation

Immediately after a reset, the TPU's TCNT counters are all designated as free-running counters. When the relevant bit in TSTR is set to 1 the corresponding TCNT counter starts up-count operation as a free-running counter. When TCNT overflows (from H'FFFF to H'0000), the TCFV bit in TSR is set to 1. After overflow, TCNT starts counting up again from H'0000.

Figure 14.3 illustrates free-running counter operation.

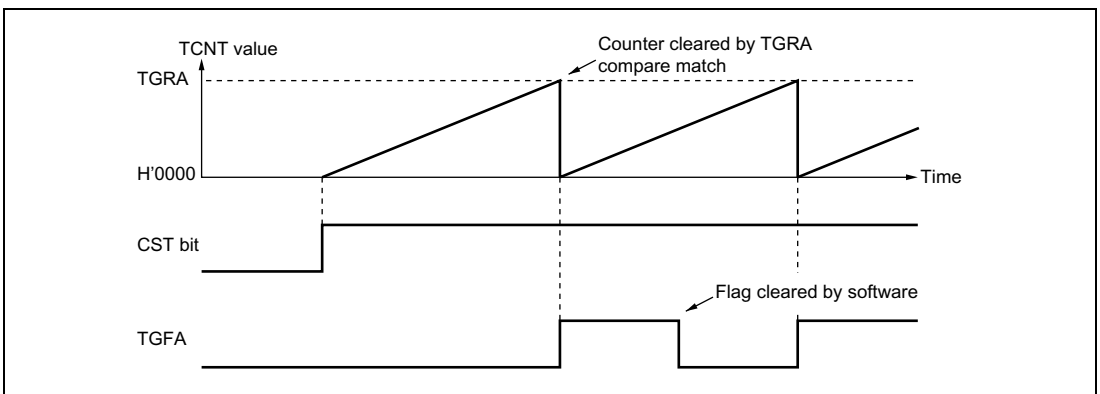


**Figure 14.3 Free-Running Counter Operation**

When compare match is selected as the TCNT clearing source, the TCNT counter for the relevant channel performs periodic count operation. The TGR register for setting the period is designated as an output compare register, and counter clearing by compare match is selected by means of bits CCLR2 to CCLR0 in TCR. After the settings have been made, TCNT starts up-count operation as a periodic counter when the corresponding bit in TSTR is set to 1. When the count value matches the value in TGR, the TGF bit in TSR is set to 1 and TCNT is cleared to H'0000.

After a compare match, TCNT starts counting up again from H'0000.

Figure 14.4 illustrates periodic counter operation.

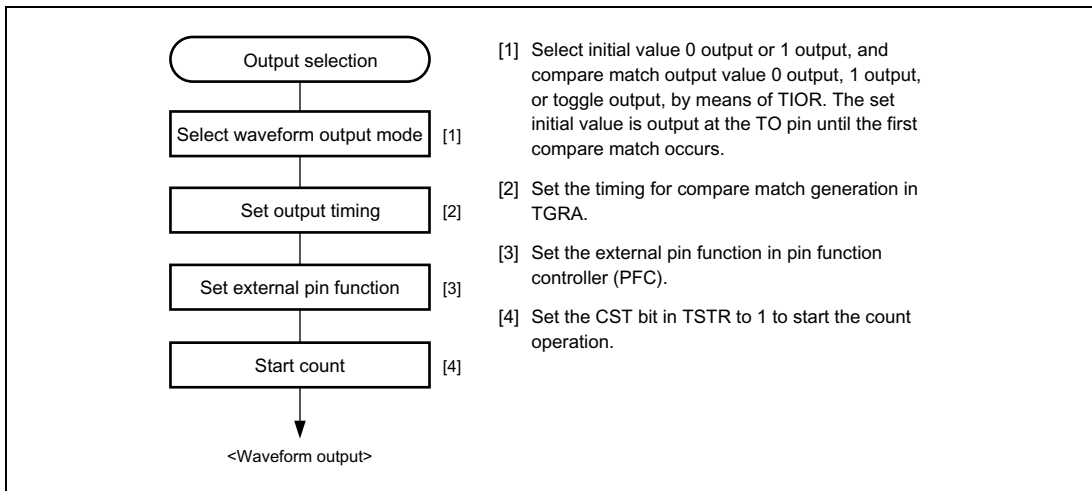


**Figure 14.4 Periodic Counter Operation**

**Waveform Output by Compare Match:** The TPU can perform 0, 1, or toggle output from the corresponding output pin (TO pin) using TGRA compare match.

- Example of setting procedure for waveform output by compare match

Figure 14.5 shows an example of the setting procedure for waveform output by compare match

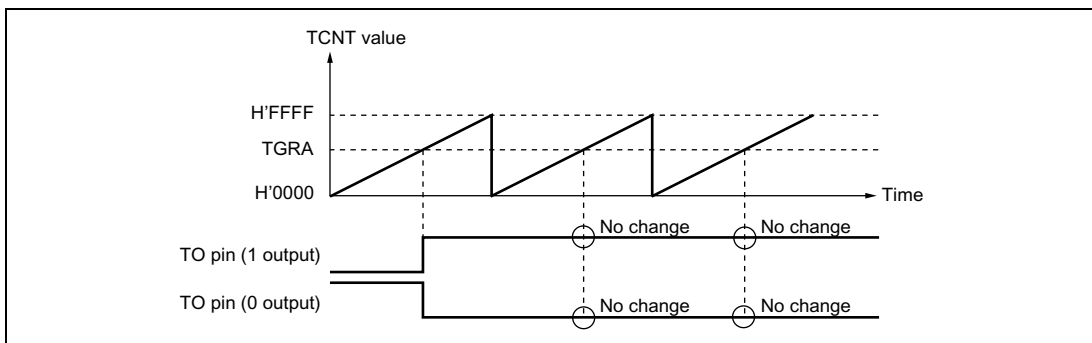


**Figure 14.5 Example of Setting Procedure for Waveform Output by Compare Match**

- Examples of waveform output operation

Figure 14.6 shows an example of 0 output/1 output.

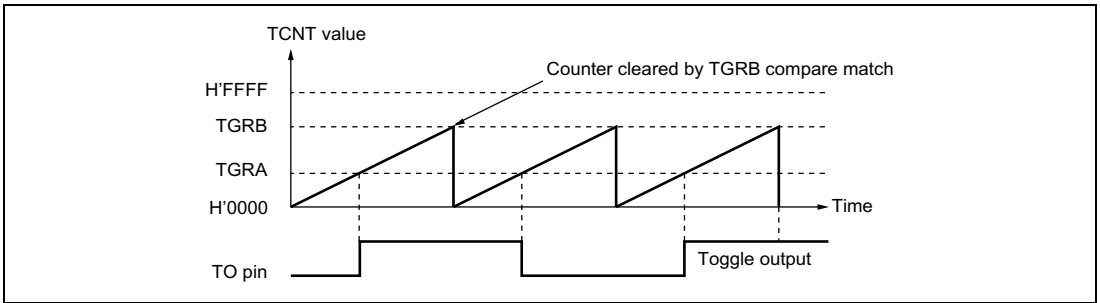
In this example TCNT has been designated as a free-running counter, and settings have been made so that 1 is output by compare match A, and 0 is output by compare match B. When the set level and the pin level coincide, the pin level does not change.



**Figure 14.6 Example of 0 Output/1 Output Operation**

Figure 14.7 shows an example of toggle output.

In this example TCNT has been designated as a periodic counter (with counter clearing performed by compare match B), and settings have been made so that output is toggled by compare match A.



**Figure 14.7 Example of Toggle Output Operation**

### 14.4.3 Buffer Operation

Buffer operation, enables TGRC and TGRD to be used as buffer registers.

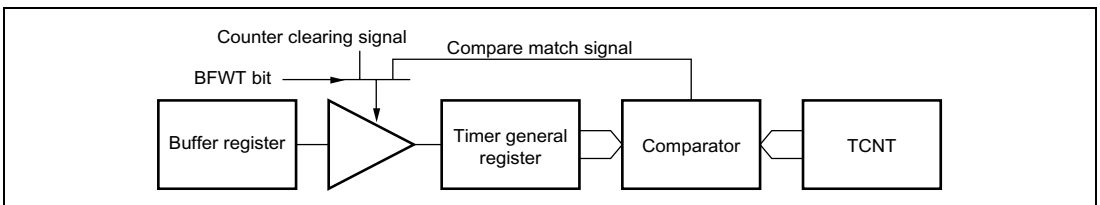
Table 14.6 shows the register combinations used in buffer operation.

**Table 14.6 Register Combinations in Buffer Operation**

| Timer General Register | Buffer Register |
|------------------------|-----------------|
| TGRA                   | TGRC            |
| TGRB                   | TGRD            |

When a compare match occurs, the value in the buffer register for the corresponding channel is transferred to the timer general register. For update timing from a buffer register, rewriting on compare match occurrence or on counter clearing can be selected.

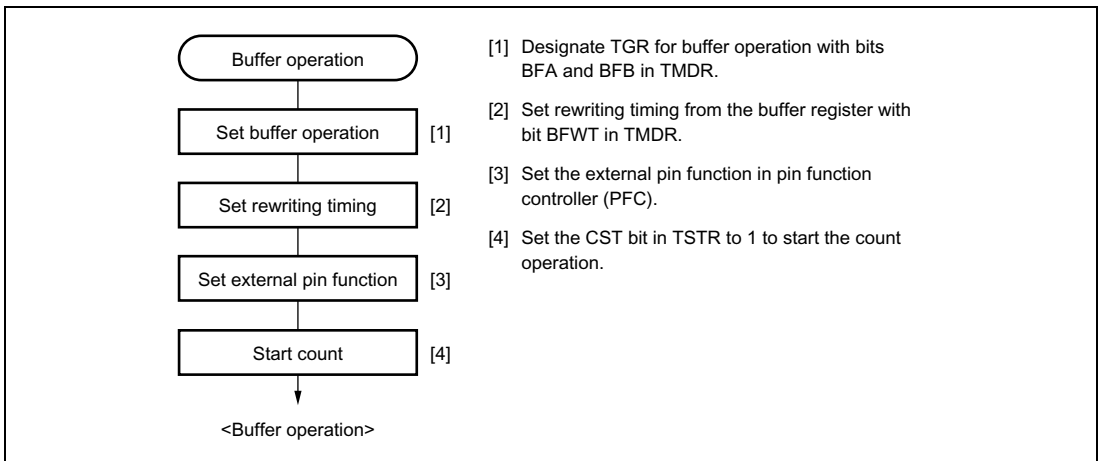
This operation is illustrated in figure 14.8.



**Figure 14.8 Compare Match Buffer Operation**



**Example of Buffer Operation Setting Procedure:** Figure 14.9 shows an example of the buffer operation setting procedure.



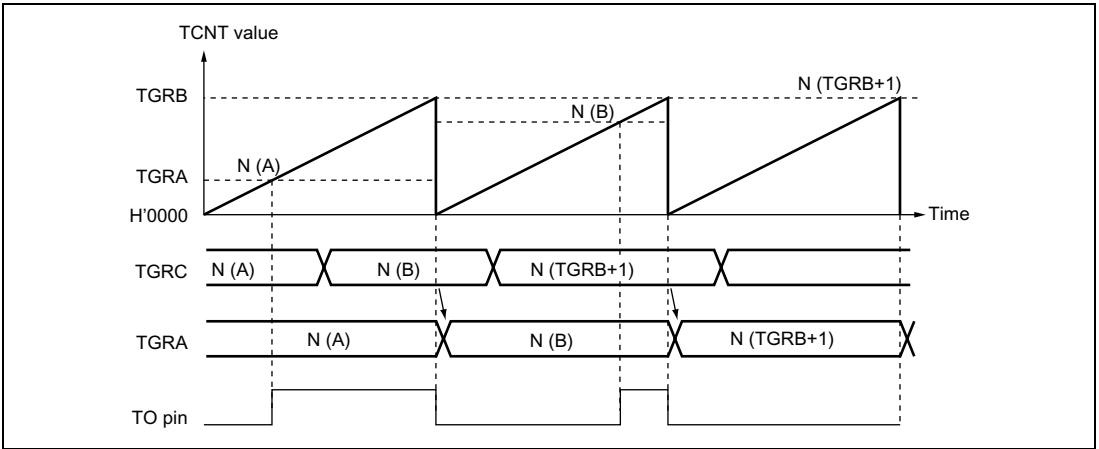
**Figure 14.9 Example of Buffer Operation Setting Procedure**

### Example of Buffer Operation

Figure 14.10 shows an operation example in which PWM mode has been designated for channel 0, and buffer operation has been designated for TGRA and TGRC. The settings used in this example are TCNT clearing by compare match B, 1 output at compare match A, and 0 output at counter clearing. Rewriting timing from the buffer register is set at counter clearing.

As buffer operation has been set, when compare match A occurs the output changes. When counter clearing occurs by TGRB, the output changes and the value in buffer register TGRC is simultaneously transferred to timer general register TGRA. This operation is repeated each time compare match A occurs.

For details of PWM modes, see section 14.4.4, PWM Modes.



**Figure 14.10 Example of Buffer Operation**

#### 14.4.4 PWM Modes

In PWM mode, PWM waveforms are output from the output pins. 0 or 1 output can be selected as the output level in response to compare match of each TGRA.

Designating TGRB compare match as the counter-clearing source enables the period to be set in that register. All channels can be designated for PWM mode independently.

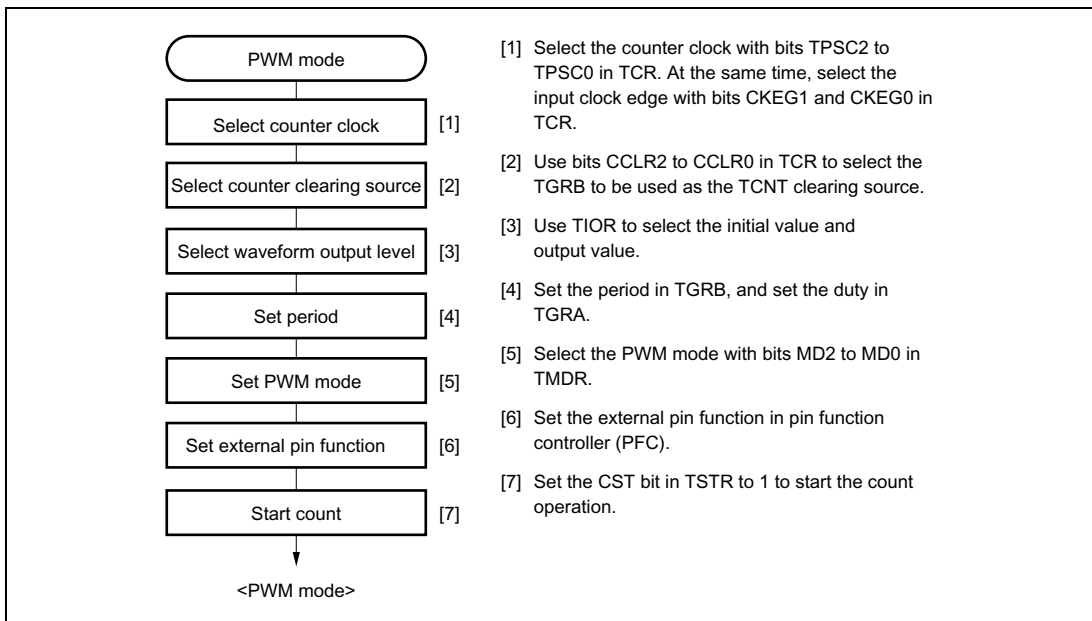
PWM output is generated from the TO pin using TGRB as the period register and TGRA as duty cycle registers. The output specified in TIOR is performed by means of compare matches. Upon counter clearing by a period register compare match, the output value of each pin is the initial value set in TIOR. Set TIOR so that the initial output and an output value by compare match are different. If the same levels or toggle outputs are selected, operation is disabled.

Conditions of duty cycle 0% and 100% are shown below.

- Duty cycle 0%: The set value of the period register (TGRB) is  $TGRA + 1$  for the duty register (TGRA).
- Duty cycle 100%: The set value of the duty register (TGRA) is 0.

In PWM mode, a maximum 4-phase PWM output is possible.

**Example of PWM Mode Setting Procedure:** Figure 14.11 shows an example of the PWM mode setting procedure.

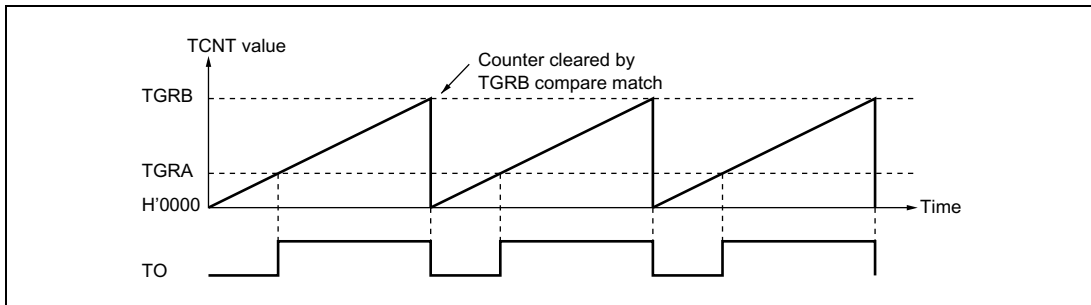


**Figure 14.11 Example of PWM Mode Setting Procedure**

**Examples of PWM Mode Operation:** Figure 14.12 shows an example of PWM mode operation.

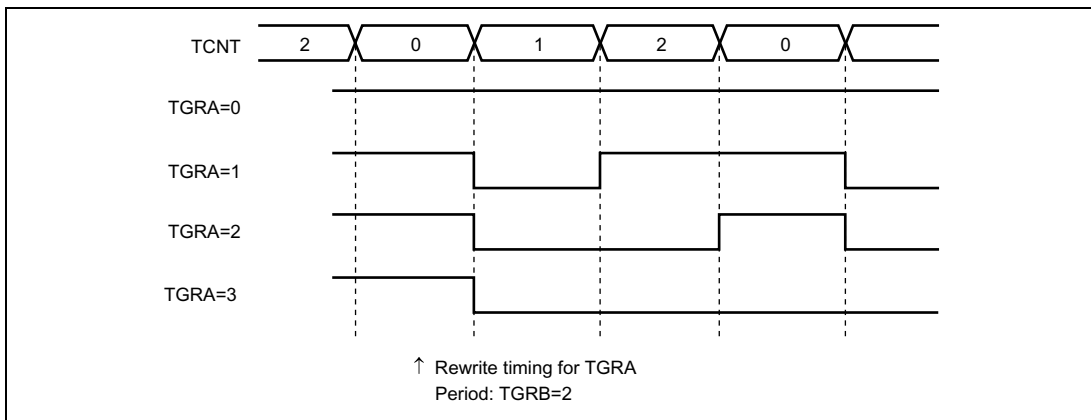
In this example, TGRB compare match is set as the TCNT clearing source, 0 is set as the initial output value of the TO pin by TGRA, and 1 is set as the output value by TGRA compare match.

In this case, the value set in TGRB is used as the period, and the value set in TGRA as the duty.



**Figure 14.12 Example of PWM Mode Operation (1)**

Figure 14.13 shows examples of PWM waveform output with 0% duty and 100% duty in PWM mode.



**Figure 14.13 Examples of PWM Mode Operation (2)**

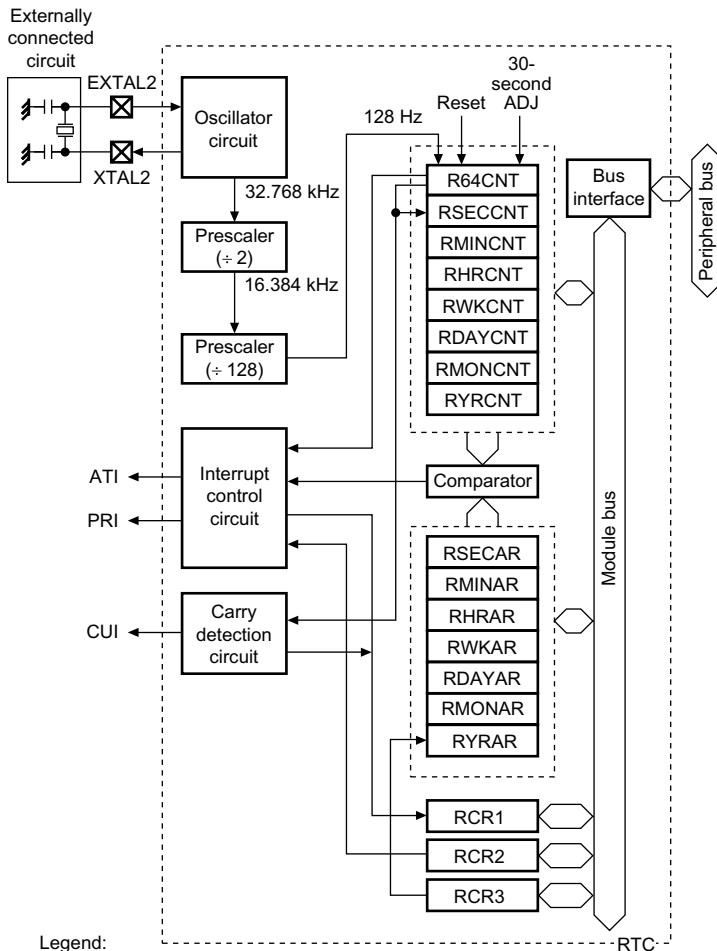
# Section 15 Realtime Clock (RTC)

This LSI has a realtime clock (RTC) with its own 32.768 kHz crystal oscillator. A block diagram of the RTC is shown in figure 15.1.

## 15.1 Features

The RTC has the following features:

- Clock and calendar functions (BCD format): seconds, minutes, hours, date, day of the week, month, and year
- 1-Hz to 64-Hz timer (binary format)
- Start/stop function
- 30-second adjust function
- Alarm interrupt: frame comparison of seconds, minutes, hours, date, day of the week, month, and year can be used as conditions for the alarm interrupt
- Periodic interrupts: the interrupt cycle may be 1/256 second, 1/64 second, 1/16 second, 1/4 second, 1/2 second, 1 second, or 2 seconds
- Carry interrupt: a carry interrupt indicates when a carry occurs during a counter read
- Automatic leap year adjustment



Legend:

|                                 |                                       |
|---------------------------------|---------------------------------------|
| R64CNT: 64-Hz counter           | RHRAR: Minute alarm register          |
| RSECCNT: Second counter         | RMINAR: Hour alarm register           |
| RMINCNT: Minute counter         | RWKAR: Day of the week alarm register |
| RHRCNT: Hour counter            | RDAYAR: Date alarm register           |
| RWKCNT: Day of the week counter | RMONAR: Month alarm register          |
| RDAYCNT: Date counter           | RYRAR: Year alarm register            |
| RMONCNT: Month counter          | RCR1: RTC control register 1          |
| RYRCNT: Year counter            | RCR2: RTC control register 2          |
| RSECAR: Second alarm register   | RCR3: RTC control register 3          |

**Figure 15.1 RTC Block Diagram**

## 15.2 Input/Output Pins

Table 15.1 shows the RTC pin configuration.

**Table 15.1 Pin Configuration**

| Pin                        | Abbreviation         | I/O | Function                            |
|----------------------------|----------------------|-----|-------------------------------------|
| Crystal oscillator for RTC | EXTAL2               | I   | Connects crystal to RTC oscillator* |
| Crystal oscillator for RTC | XTAL2                | O   | Connects crystal to RTC oscillator* |
| Power-supply for RTC       | V <sub>CC</sub> -RTC | —   | Power-supply pin for RTC            |
| GND for RTC                | V <sub>SS</sub> -RTC | —   | GND pin for RTC                     |

Note: \* Pull up (V<sub>CCQ</sub> (3.3 V power)) EXTAL2 and leave XTAL2 open, when the RTC is not used.

## 15.3 Register Descriptions

The RTC has the following registers. Refer to section 24, List of Registers, for more detail of the address and access size.

- 64-Hz counter (R64CNT)
- Second counter (RSECCNT)
- Minute counter (RMINCNT)
- Hour counter (RHRCNT)
- Day of week counter (RWKCNT)
- Date counter (RDAYCNT)
- Month counter (RMONCNT)
- Year counter (RYRCNT)
- Second alarm register (RSECAR)
- Minute alarm register (RMINAR)
- Hour alarm register (RHRAR)
- Day of week alarm register (RWKAR)
- Date alarm register (RDAYAR)
- Month alarm register (RMONAR)
- Year alarm register (RYRAR)
- RTC control register 1 (RCR1)
- RTC control register 2 (RCR2)
- RTC control register 3 (RCR3)

### 15.3.1 64-Hz Counter (R64CNT)

The 64-Hz counter (R64CNT) is an 8-bit read-only register that indicates the state of the divider circuit between 64 Hz and 1 Hz.

R64CNT is reset to H'00 by setting the RESET bit in RCR2 or the ADJ bit in RCR2 to 1.

R64CNT is not initialized by a power-on reset or manual reset, or in standby mode.

| Bit    | Bit Name  | Initial Value | R/W | Description  |     |           |    |      |    |      |    |      |    |      |    |       |    |       |    |       |
|--------|-----------|---------------|-----|--|-----|-----------|----|------|----|------|----|------|----|------|----|-------|----|-------|----|-------|
| 7      | —         | 0             | R   | Reserved<br>This bit is always read as 0.  |     |           |    |      |    |      |    |      |    |      |    |       |    |       |    |       |
| 6 to 0 | —         | —             | R   | 64-Hz Counter<br>Each bit (bits 6 to 0) indicates the state of the RTC divider circuit between 64 Hz and 1 Hz.<br><table><thead><tr><th>Bit</th><th>Frequency</th></tr></thead><tbody><tr><td>6:</td><td>1 Hz</td></tr><tr><td>5:</td><td>2 Hz</td></tr><tr><td>4:</td><td>4 Hz</td></tr><tr><td>3:</td><td>8 Hz</td></tr><tr><td>2:</td><td>16 Hz</td></tr><tr><td>1:</td><td>32 Hz</td></tr><tr><td>0:</td><td>64 Hz</td></tr></tbody></table> | Bit | Frequency | 6: | 1 Hz | 5: | 2 Hz | 4: | 4 Hz | 3: | 8 Hz | 2: | 16 Hz | 1: | 32 Hz | 0: | 64 Hz |
| Bit    | Frequency |               |     |  |     |           |    |      |    |      |    |      |    |      |    |       |    |       |    |       |
| 6:     | 1 Hz      |               |     |  |     |           |    |      |    |      |    |      |    |      |    |       |    |       |    |       |
| 5:     | 2 Hz      |               |     |  |     |           |    |      |    |      |    |      |    |      |    |       |    |       |    |       |
| 4:     | 4 Hz      |               |     |  |     |           |    |      |    |      |    |      |    |      |    |       |    |       |    |       |
| 3:     | 8 Hz      |               |     |  |     |           |    |      |    |      |    |      |    |      |    |       |    |       |    |       |
| 2:     | 16 Hz     |               |     |  |     |           |    |      |    |      |    |      |    |      |    |       |    |       |    |       |
| 1:     | 32 Hz     |               |     |  |     |           |    |      |    |      |    |      |    |      |    |       |    |       |    |       |
| 0:     | 64 Hz     |               |     |  |     |           |    |      |    |      |    |      |    |      |    |       |    |       |    |       |

### 15.3.2 Second Counter (RSECCNT)

The second counter (RSECCNT) is an 8-bit readable/writable register used for setting/counting in the BCD-coded second section. The count operation is performed by a carry for each second of the 64-Hz counter.

The range of second that can be set is 00 to 59 (decimal). Errant operation will result if any other value is set. Carry out write processing after stopping the count operation with the START bit in RCR2.

RSECCNT is not initialized by a power-on reset or manual reset, or in standby mode.



| Bit    | Bit Name | Initial Value | R/W | Description   |
|--------|----------|---------------|-----|---|
| 7      | —        | 0             | R   | Reserved<br>This bit is always read as 0. The write value should always be 0.                 |
| 6 to 4 | —        | —             | R/W | 10-unit of the second counter in the BCD-code. The range that can be set is 0 to 5 (decimal). |
| 3 to 0 | —        | —             | R/W | 1-unit of the second counter in the BCD-code. The range that can be set is 0 to 9 (decimal).  |

### 15.3.3 Minute Counter (RMINCNT)

The minute counter (RMINCNT) is an 8-bit readable/writable register used for setting/counting in the BCD-coded minute section. The count operation is performed by a carry for each minute of the second counter.

The range of minute that can be set is 00 to 59 (decimal). Errant operation will result if any other value is set. Carry out write processing after stopping the count operation with the START bit in RCR2.

RMINCNT is not initialized by a power-on reset or manual reset, or in standby mode.

| Bit    | Bit Name | Initial Value | R/W | Description   |
|--------|----------|---------------|-----|---|
| 7      | —        | 0             | R   | Reserved<br>This bit is always read as 0. The write value should always be 0.                 |
| 6 to 4 | —        | —             | R/W | 10-unit of the minute counter in the BCD-code. The range that can be set is 0 to 5 (decimal). |
| 3 to 0 | —        | —             | R/W | 1-unit of the minute counter in the BCD-code. The range that can be set is 0 to 9 (decimal).  |

### 15.3.4 Hour Counter (RHRCNT)

The hour counter (RHRCNT) is an 8-bit readable/writable register used for setting/counting in the BCD-coded hour section. The count operation is performed by a carry for each 1 hour of the minute counter.

The range of hour that can be set is 00 to 23 (decimal). Errant operation will result if any other value is set. Carry out write processing after stopping the count operation with the START bit in RCR2.

RHRCNT is not initialized by a power-on reset or manual reset, or in standby mode.

| Bit    | Bit Name | Initial Value | R/W | Description  |
|--------|----------|---------------|-----|--|
| 7, 6   | —        | 0             | R   | Reserved<br>These bits are always read as 0. The write value should always be 0.               |
| 5, 4   | —        | —             | R/W | 10-unit of the hour counter in the BCD-code.<br>The range that can be set is 0 to 2 (decimal). |
| 3 to 0 | —        | —             | R/W | 1-unit of the hour counter in the BCD-code.<br>The range that can be set is 0 to 9 (decimal).  |

### 15.3.5 Day of Week Counter (RWKCNT)

The day of week counter (RWKCNT) is an 8-bit readable/writable register used for setting/counting in the day of week section. The count operation is performed by a carry for each day of the date counter.

The range for day of the week that can be set is 0 to 6 (decimal). Errant operation will result if any other value is set. Carry out write processing after stopping the count operation with the START bit in RCR2.

RWKCNT is not initialized by a power-on reset or manual reset, or in standby mode.

| Bit    | Bit Name | Initial Value | R/W | Description   |
|--------|----------|---------------|-----|---|
| 7 to 3 | —        | 0             | R   | Reserved<br>These bits are always read as 0. The write value should always be 0.  |
| 2 to 0 | —        | —             | R/W | Counter for the day of week in the BCD-code.<br>The range that can be set is 0 to 6 (decimal).<br>Code    Day of Week<br>0:      Sunday<br>1:      Monday<br>2:      Tuesday<br>3:      Wednesday<br>4:      Thursday<br>5:      Friday<br>6:      Saturday |

### 15.3.6 Date Counter (RDAYCNT)

The date counter (RDAYCNT) is an 8-bit readable/writable register used for setting/counting in the BCD-coded date section. The count operation is performed by a carry for each day of the hour counter.

The range of date that can be set changes within 01 to 31 (decimal) with some months and in leap years. Please confirm the correct setting. Errant operation will result if any other value is set. Carry out write processing after stopping the count operation with the START bit in RCR2.

RDAYCNT is not initialized by a power-on reset or manual reset, or in standby mode.

| Bit    | Bit Name | Initial Value | R/W | Description  |
|--------|----------|---------------|-----|--|
| 7, 6   | —        | 0             | R   | Reserved<br>These bits are always read as 0. The write value should always be 0.               |
| 5, 4   | —        | —             | R/W | 10-unit of the date counter in the BCD-code.<br>The range that can be set is 0 to 3 (decimal). |
| 3 to 0 | —        | —             | R/W | 1-unit of the date counter in the BCD-code.<br>The range that can be set is 0 to 9 (decimal).  |

### 15.3.7 Month Counter (RMONCNT)

The month counter (RMONCNT) is an 8-bit readable/writable register used for setting/counting in the BCD-coded month section. The count operation is performed by a carry for each month of the date counter.

The range of month that can be set is 01 to 12 (decimal). Errant operation will result if any other value is set. Carry out write processing after stopping the count operation with the START bit in RCR2.

RMONCNT is not initialized by a power-on reset or manual reset, or in standby mode.

| Bit    | Bit Name | Initial Value | R/W | Description   |
|--------|----------|---------------|-----|---|
| 7 to 5 | —        | 0             | R   | Reserved<br>These bits are always read as 0. The write value should always be 0.                |
| 4      | —        | —             | R/W | 10-unit of the month counter in the BCD-code.<br>The range that can be set is 0 to 1 (decimal). |
| 3 to 0 | —        | —             | R/W | 1-unit of the month counter in the BCD-code.<br>The range that can be set is 0 to 9 (decimal).  |

### 15.3.8 Year Counter (RYRCNT)

The year counter (RYRCNT) is a 16-bit readable/writable register used for setting/counting in the BCD-coded year section. The four digits of the western calendar year are counted. The count operation is performed by a carry for each year of the month counter.

The range for year that can be set is 0000 to 9999 (decimal). Errant operation will result if any other value is set. Carry out write processing after stopping the count operation with the START bit in RCR2 or using a carry flag.

RYRCNT is not initialized by a power-on reset or manual reset, or in standby mode.

Leap years are recognized by dividing the year counter value by 4 and obtaining a fractional result of 0. The year counter value 0000 is recognized as a leap year.

| Bit      | Bit Name | Initial Value | R/W | Description   |
|----------|----------|---------------|-----|---|
| 15 to 12 | —        | —             | R/W | 1000-unit of the year counter in the BCD-code. The range that can be set is 0 to 9 (decimal). |
| 11 to 8  | —        | —             | R/W | 100-unit of the year counter in the BCD-code. The range that can be set is 0 to 9 (decimal).  |
| 7 to 4   | —        | —             | R/W | 10-unit of the year counter in the BCD-code. The range that can be set is 0 to 9 (decimal).   |
| 3 to 0   | —        | —             | R/W | 1-unit of the year counter in the BCD-code. The range that can be set is 0 to 9 (decimal).    |

### 15.3.9 Second Alarm Register (RSECAR)

The second alarm register (RSECAR) is an 8-bit readable/writable register, and an alarm register corresponding to the second counter RSECCNT. When the ENB bit is set to 1, a comparison with the RSECCNT value is performed. For alarm registers RSECAR, RMINAR, RHRAR, RWKAR, RDAYAR, and RMONAR, a comparison with the corresponding counter value is performed for those whose ENB bit is set to 1, and for RCR3, a comparison is performed when the YAEN bit is set to 1. If all of those match, an RTC alarm interrupt is generated.

The range of second alarm that can be set is 00 to 59 (decimal). Errant operation will result if any other value is set.

The ENB bit in RSECAR is initialized to 0 by a power-on reset, and it is not initialized by manual reset and standby mode. The remaining RSECAR fields are not initialized by a power-on reset or manual reset, or in standby mode.

| Bit    | Bit Name | Initial Value | R/W | Description   |
|--------|----------|---------------|-----|---|
| 7      | ENB      | 0             | R/W | Second Alarm Enable<br>Specifies whether to compare RSECCNT with RSECAR to generate a second alarm.<br>0: Not compared<br>1: Compared |
| 6 to 4 | —        | —             | R/W | 10-unit of second alarm setting in the BCD-code. The range that can be set is 0 to 5 (decimal).                                       |
| 3 to 0 | —        | —             | R/W | 1-unit of second alarm setting in the BCD-code. The range that can be set is 0 to 9 (decimal).  |

### 15.3.10 Minute Alarm Register (RMINAR)

The minute alarm register (RMINAR) is an 8-bit readable/writable register, and an alarm register corresponding to the minute counter RMINCNT. When the ENB bit is set to 1, a comparison with the RMINCNT value is performed. For alarm registers RSECAR, RMINAR, RHRAR, RWKAR, RDAYAR, and RMONAR, a comparison with the corresponding counter value is performed for those whose ENB bit is set to 1, and for RCR3, a comparison is performed when the YAEN bit is set to 1. If all of those match, an RTC alarm interrupt is generated.

The range of minute alarm that can be set is 00 to 59 (decimal). Errant operation will result if any other value is set.

The ENB bit in RMINAR is initialized by a power-on reset, and it is not initialized by manual reset and standby mode. The remaining RMINAR fields are not initialized by a power-on reset or manual reset, or in standby mode.

| Bit    | Bit Name | Initial Value | R/W | Description   |
|--------|----------|---------------|-----|---|
| 7      | ENB      | 0             | R/W | Minute Alarm Enable<br>Specifies whether to compare RMINCNT with RMINAR to generate a second alarm.<br>0: Not compared<br>1: Compared |
| 6 to 4 | —        | —             | R/W | 10-unit of minute alarm setting in the BCD-code. The range that can be set is 0 to 5 (decimal).                                       |
| 3 to 0 | —        | —             | R/W | 1-unit of minute alarm setting in the BCD-code. The range that can be set is 0 to 9 (decimal).  |

### 15.3.11 Hour Alarm Register (RHRAR)

The hour alarm register (RHRAR) is an 8-bit readable/writable register, and an alarm register corresponding to the hour counter RHRCNT. When the ENB bit is set to 1, a comparison with the RHRCNT value is performed. For alarm registers RSECAR, RMINAR, RHRAR, RWKAR, RDAYAR, and RMONAR, a comparison with the corresponding counter value is performed for those whose ENB bit is set to 1, and for RCR3, a comparison is performed when the YAEN bit is set to 1. If all of those match, an RTC alarm interrupt is generated.

The range of hour alarm that can be set is 00 to 23 (decimal). Errant operation will result if any other value is set.

The ENB bit in RHRAR is initialized by a power-on reset, and it is not initialized by manual reset and standby mode. The remaining RHRAR fields are not initialized by a power-on reset or manual reset, or in standby mode.

| Bit    | Bit Name | Initial Value | R/W | Description   |
|--------|----------|---------------|-----|---|
| 7      | ENB      | 0             | R/W | Hour Alarm Enable<br>Specifies whether to compare RHRCNT with RHRAR to generate a second alarm.<br>0: Not compared<br>1: Compared |
| 6      | —        | 0             | R   | Reserved<br>This bit is always read as 0. The write value should always be 0.   |
| 5, 4   | —        | —             | R/W | 10-unit of hour alarm setting in the BCD-code. The range that can be set is 0 to 2 (decimal).                                     |
| 3 to 0 | —        | —             | R/W | 1-unit of hour alarm setting in the BCD-code. The range that can be set is 0 to 9 (decimal).                                      |

### 15.3.12 Day of Week Alarm Register (RWKAR)

The day of week alarm register (RWKAR) is an 8-bit readable/writable register, and an alarm register corresponding to the day of week counter RWKCNT. When the ENB bit is set to 1, a comparison with the RWKCNT value is performed. For alarm registers RSECAR, RMINAR, RHRAR, RWKAR, RDAYAR, and RMONAR, a comparison with the corresponding counter value is performed for those whose ENB bit is set to 1, and for RCR3, a comparison is performed when the YAEN bit is set to 1. If all of those match, an RTC alarm interrupt is generated.

The range of day of the week alarm that can be set is 0 to 6 (decimal). Errant operation will result if any other value is set.

The ENB bit in RWKAR is initialized by a power-on reset, and it is not initialized by manual reset and standby mode. The remaining RWKAR fields are not initialized by a power-on reset or manual reset, or in standby mode.

| Bit    | Bit Name        | Initial Value | R/W | Description  |      |                 |    |        |    |        |    |         |    |           |    |          |    |        |    |          |
|--------|-----------------|---------------|-----|--|------|-----------------|----|--------|----|--------|----|---------|----|-----------|----|----------|----|--------|----|----------|
| 7      | ENB             | 0             | R/W | Day of Week Alarm Enable<br>Specifies whether to compare RWKCNT with RWKAR to generate a second alarm.<br>0: Not compared<br>1: Compared   |      |                 |    |        |    |        |    |         |    |           |    |          |    |        |    |          |
| 6 to 3 | —               | 0             | R   | Reserved<br>These bits are always read as 0. The write value should always be 0.   |      |                 |    |        |    |        |    |         |    |           |    |          |    |        |    |          |
| 2 to 0 | —               | —             | R/W | Day of Week Alarm Code<br>The range that can be set is 0 to 6 (decimal).<br><table><thead><tr><th>Code</th><th>Day of the Week</th></tr></thead><tbody><tr><td>0:</td><td>Sunday</td></tr><tr><td>1:</td><td>Monday</td></tr><tr><td>2:</td><td>Tuesday</td></tr><tr><td>3:</td><td>Wednesday</td></tr><tr><td>4:</td><td>Thursday</td></tr><tr><td>5:</td><td>Friday</td></tr><tr><td>6:</td><td>Saturday</td></tr></tbody></table> | Code | Day of the Week | 0: | Sunday | 1: | Monday | 2: | Tuesday | 3: | Wednesday | 4: | Thursday | 5: | Friday | 6: | Saturday |
| Code   | Day of the Week |               |     |  |      |                 |    |        |    |        |    |         |    |           |    |          |    |        |    |          |
| 0:     | Sunday          |               |     |  |      |                 |    |        |    |        |    |         |    |           |    |          |    |        |    |          |
| 1:     | Monday          |               |     |  |      |                 |    |        |    |        |    |         |    |           |    |          |    |        |    |          |
| 2:     | Tuesday         |               |     |  |      |                 |    |        |    |        |    |         |    |           |    |          |    |        |    |          |
| 3:     | Wednesday       |               |     |  |      |                 |    |        |    |        |    |         |    |           |    |          |    |        |    |          |
| 4:     | Thursday        |               |     |  |      |                 |    |        |    |        |    |         |    |           |    |          |    |        |    |          |
| 5:     | Friday          |               |     |  |      |                 |    |        |    |        |    |         |    |           |    |          |    |        |    |          |
| 6:     | Saturday        |               |     |  |      |                 |    |        |    |        |    |         |    |           |    |          |    |        |    |          |

### 15.3.13 Date Alarm Register (RDAYAR)

The date alarm register (RDAYAR) is an 8-bit readable/writable register, and an alarm register corresponding to the date counter RDAYCNT. When the ENB bit is set to 1, a comparison with the RDAYCNT value is performed. For alarm registers RSECAR, RMINAR, RHRAR, RWKAR, RDAYAR, and RMONAR, a comparison with the corresponding counter value is performed for those whose ENB bit is set to 1, and for RCR3, a comparison is performed when the YAEN bit is set to 1. If all of those match, an RTC alarm interrupt is generated.

The range of date alarm that can be set is 01 to 31 (decimal). Errant operation will result if any other value is set. The RDAYCNT range that can be set changes with some months and in leap years. Please confirm the correct setting.

The ENB bit in RDAYAR is initialized by a power-on reset, and it is not initialized by manual reset and standby mode. The remaining RDAYAR fields are not initialized by a power-on reset or manual reset, or in standby mode.

| Bit    | Bit Name | Initial Value | R/W | Description   |
|--------|----------|---------------|-----|---|
| 7      | ENB      | 0             | R/W | Date Alarm Enable<br>Specifies whether to compare RDAYCNT with RDAYAR to generate a second alarm.<br>0: Not compared<br>1: Compared |
| 6      | —        | 0             | R   | Reserved<br>This bit is always read as 0. The write value should always be 0.   |
| 5, 4   | —        | —             | R/W | 10-unit of date alarm setting in the BCD-code. The range that can be set is 0 to 3 (decimal).                                       |
| 3 to 0 | —        | —             | R/W | 1-unit of date alarm setting in the BCD-code. The range that can be set is 0 to 9 (decimal).  |



### 15.3.14 Month Alarm Register (RMONAR)

The month alarm register (RMONAR) is an 8-bit readable/writable register, and an alarm register corresponding to the month counter RMONCNT. When the ENB bit is set to 1, a comparison with the RMONCNT value is performed. For alarm registers RSECAR, RMINAR, RHRAR, RWKAR, RDAYAR, and RMONAR, a comparison with the corresponding counter value is performed for those whose ENB bit is set to 1, and for RCR3, a comparison is performed when the YAEN bit is set to 1. If all of those match, an RTC alarm interrupt is generated.

The range of month alarm that can be set is 01 to 12 (decimal). Errant operation will result if any other value is set.

The ENB bit in RMONAR is initialized by a power-on reset, and it is not initialized by manual reset and standby mode. The remaining RMONAR fields are not initialized by a power-on reset or manual reset, or in standby mode.

| Bit    | Bit Name | Initial Value | R/W | Description  |
|--------|----------|---------------|-----|--|
| 7      | ENB      | 0             | R/W | Month Alarm Enable<br>Specifies whether to compare RMONCNT with RMONAR to generate a second alarm.<br>0: Not compared<br>1: Compared |
| 6, 5   | —        | 0             | R   | Reserved<br>These bits are always read as 0. The write value should always be 0.   |
| 4      | —        | —             | R/W | 10-unit of month alarm setting in the BCD-code. The range that can be set is 0 to 1 (decimal).                                       |
| 3 to 0 | —        | —             | R/W | 1-unit of month alarm setting in the BCD-code. The range that can be set is 0 to 9 (decimal).  |

### 15.3.15 Year Alarm Register (RYRAR)

The year alarm register (RYRAR) is a 16-bit readable/writable register, and an alarm register corresponding to the year counter RYRCNT. When the YAEN bit in RCR3 is set to 1, a comparison with the RYRCNT value is performed. For alarm registers RSECAR, RMINAR, RHRAR, RWKAR, RDAYAR, and RMONAR, a comparison with the corresponding counter value is performed for those whose ENB bit is set to 1, and for RCR3, a comparison is performed when the YAEN bit is set to 1. If all of those match, an RTC alarm interrupt is generated.

The range of year alarm that can be set is 0000 to 9999 (decimal). Errant operation will result if any other value is set.

The RYRAR contents are not initialized by a power-on reset or manual reset, or in standby mode.

| Bit      | Bit Name | Initial Value | R/W | Description  |
|----------|----------|---------------|-----|--|
| 15 to 12 | —        | —             | R/W | 1000-unit of year alarm setting in the BCD-code.<br>The range that can be set is 0 to 9 (decimal). |
| 11 to 8  | —        | —             | R/W | 100-unit of year alarm setting in the BCD-code.<br>The range that can be set is 0 to 9 (decimal).  |
| 7 to 4   | —        | —             | R/W | 10-unit of year alarm setting in the BCD-code.<br>The range that can be set is 0 to 9 (decimal).   |
| 3 to 0   | —        | —             | R/W | 1-unit of year alarm setting in the BCD-code.<br>The range that can be set is 0 to 9 (decimal).    |

### 15.3.16 RTC Control Register 1 (RCR1)

The RTC control register 1 (RCR1) is an 8-bit readable/writable register that affects carry flags and alarm flags. It also selects whether to generate interrupts for each flag. Because flags are sometimes set after an operand read, do not use this register in read-modify-write processing.

RCR1 is initialized to H'00 by a power-on reset or a manual reset. In a reset, all bits are initialized to 0 except for the CF flag, which is undefined. When using the CF flag, it must be initialized beforehand. This register is not initialized in standby mode.

| Bit  | Bit Name | Initial Value | R/W | Description  |
|------|----------|---------------|-----|--|
| 7    | CF       | Undefined     | R/W | <p>Carry Flag</p> <p>Status flag that indicates that a carry has occurred. CF is set to 1 when R64CNT or RSECCNT is read during a carry occurrence by R64CNT or RSECCNT. A count register value read at this time cannot be guaranteed; another read is required.</p> <p>0: No carry by R64CNT or RSECCNT.<br/>[Clearing condition] When 0 is written to CF</p> <p>1: [Setting condition] When R64CNT or RSECCNT is read during a carry occurrence by R64CNT or RSECCNT, or 1 is written to CF</p> |
| 6, 5 | —        | 0             | R   | <p>Reserved</p> <p>These bits are always read as 0. The write value should always be 0.</p>  |
| 4    | CIE      | 0             | R/W | <p>Carry Interrupt Enable Flag</p> <p>When the carry flag (CF) is set to 1, the CIE bit enables interrupts.</p> <p>0: A carry interrupt is not generated when the CF flag is set to 1</p> <p>1: A carry interrupt is generated when the CF flag is set to 1</p>  |
| 3    | AIE      | 0             | R/W | <p>Alarm Interrupt Enable Flag</p> <p>When the alarm flag (AF) is set to 1, the AIE bit enables interrupts.</p> <p>0: An alarm interrupt is not generated when the AF flag is set to 1</p> <p>1: An alarm interrupt is generated when the AF flag is set to 1</p>  |

| Bit  | Bit Name | Initial Value | R/W | Description  |
|------|----------|---------------|-----|--|
| 2, 1 | —        | 0             | R   | Reserved<br>These bits are always read as 0. The write value should always be 0.   |
| 0    | AF       | 0             | R/W | Alarm Flag<br>The AF flag is set to 1 when the alarm time set in an alarm register (only registers with ENB bit of the corresponding alarm registers and YAEN bit in RCR3 set to 1) matches the clock and calendar time. This flag is cleared to 0 when 0 is written, but holds the previous value when 1 is written.<br>0: Clock/calendar and alarm register have not matched.<br>[Clearing condition] When 0 is written to AF<br>1: [Setting condition] Clock/calendar and alarm register have matched (only registers that ENB bit and YAEN bit is 1) |

### 15.3.17 RTC Control Register 2 (RCR2)

The RTC control register 2 (RCR2) is an 8-bit readable/writable register for periodic interrupt control, 30-second adjustment ADJ, divider circuit RESET, and RTC count start/stop control. It is initialized to H'09 by a power-on reset. It is initialized except for RTCEN and START by a manual reset. It is not initialized in standby mode, and retains its contents.

| Bit | Bit Name | Initial Value | R/W | Description  |
|-----|----------|---------------|-----|--|
| 7   | PEF      | 0             | R/W | Periodic Interrupt Flag<br>Indicates interrupt generation with the period designated by the PES2 to PES0 bits. When set to 1, PEF generates periodic interrupts.<br>0: Interrupts not generated with the period designated by the PES bits.<br>[Clearing condition] When 0 is written to PEF<br>1: [Setting condition] When interrupts are generated with the period designated by the PES bits or 1 is written to PEF |

| Bit | Bit Name | Initial Value | R/W | Description   |  |
|-----|----------|---------------|-----|---|--|
| 6   | PES2     | 0             | R/W | Periodic Interrupt Interval   |  |
| 5   | PES1     | 0             | R/W | These bits specify the periodic interrupt interval.<br>000: No periodic interrupts generated<br>001: Periodic interrupt generated every 1/256 second<br>010: Periodic interrupt generated every 1/64 second<br>011: Periodic interrupt generated every 1/16 second<br>100: Periodic interrupt generated every 1/4 second<br>101: Periodic interrupt generated every 1/2 second<br>110: Periodic interrupt generated every 1 second<br>111: Periodic interrupt generated every 2 seconds |  |
| 4   | PES0     | 0             | R/W |   |  |
| 3   | RTCEN    | 1             | R/W |   | Controls the operation of the crystal oscillator for the RTC.<br>0: Halts the crystal oscillator for the RTC.<br>1: Runs the crystal oscillator for the RTC.   |
| 2   | ADJ      | 0             | R/W |   | 30 Second Adjustment<br>When 1 is written to the ADJ bit, times of 29 seconds or less will be rounded to 00 seconds and 30 seconds or more to 1 minute. The divider circuit will be simultaneously reset. This bit is always read as 0.<br>0: Runs normally.<br>1: 30-second adjustment. |
| 1   | RESET    | 0             | R/W |   | Reset<br>When 1 is written, initializes the divider circuit (RTC prescaler and R64CNT). This bit is always read as 0.<br>0: Runs normally.<br>1: Divider circuit is reset.   |

| Bit | Bit Name | Initial Value | R/W | Description   |
|-----|----------|---------------|-----|---|
| 0   | START    | 1             | R/W | <p>Start Bit</p> <p>Halts and restarts the counter (clock).</p> <p>0: Second/minute/hour/day/week/month/year counter halts.*</p> <p>1: Second/minute/hour/day/week/month/year counter runs normally.*</p> <p>Note: * The 64-Hz counter always runs unless stopped with the RTCEN bit.</p> |

### 15.3.18 RTC Control Register 3 (RCR3)

The RTC control register 3 (RCR3) is an 8-bit readable/writable register that controls the comparison between the BCD-coded year section counter RYRCNT of the RTC and the year alarm register RYRAR.

| Bit    | Bit Name | Initial Value | R/W | Description   |
|--------|----------|---------------|-----|---|
| 7      | YAEN     | 0             | R/W | <p>Year Alarm Enable</p> <p>When this bit is set to 1, the year alarm register (RYRAR) is compared with the year counter (RYRCNT). For alarm registers RSECAR, RMINAR, RHRAR, RWKAR, RDAYAR, and RMONAR, a comparison with the corresponding counter value is performed for those whose ENB bit is set to 1, and for RCR3, a comparison is performed when this bit is set to 1. If all of those match, an RTC alarm interrupt is generated.</p> |
| 6 to 0 | —        | 0             | R   | <p>Reserved</p> <p>These bits are always read as 0. The write value should always be 0.</p>   |

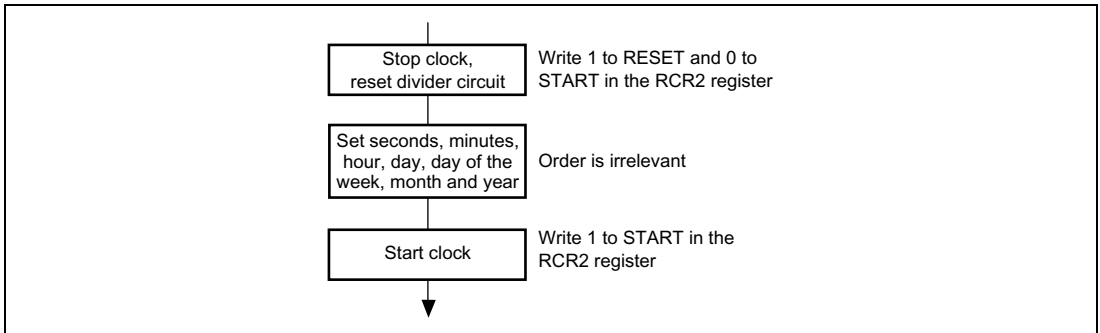
## 15.4 Operation

### 15.4.1 Initial Settings of Registers after Power-On

All the registers should be set after the power is turned on.

### 15.4.2 Setting Time

Figure 15.2 shows how to set the time when the clock is stopped.



**Figure 15.2 Setting Time**

### 15.4.3 Reading the Time

Figure 15.3 shows how to read the time. If a carry occurs while reading the time, the correct time will not be obtained, so it must be read again. Part (a) in figure 15.3 shows the method of reading the time without using interrupts; part (b) in figure 15.3 shows the method using interrupts. To keep programming simple, method (a) should normally be used.

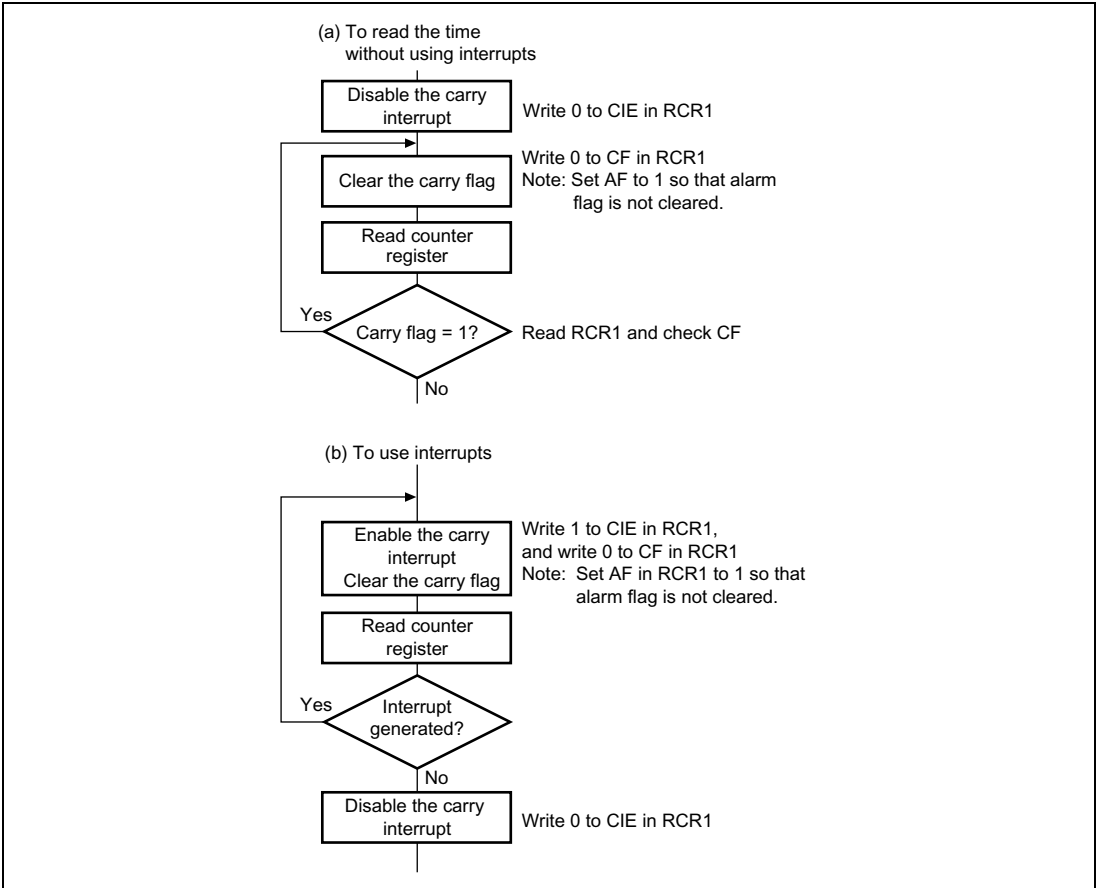


Figure 15.3 Reading the Time

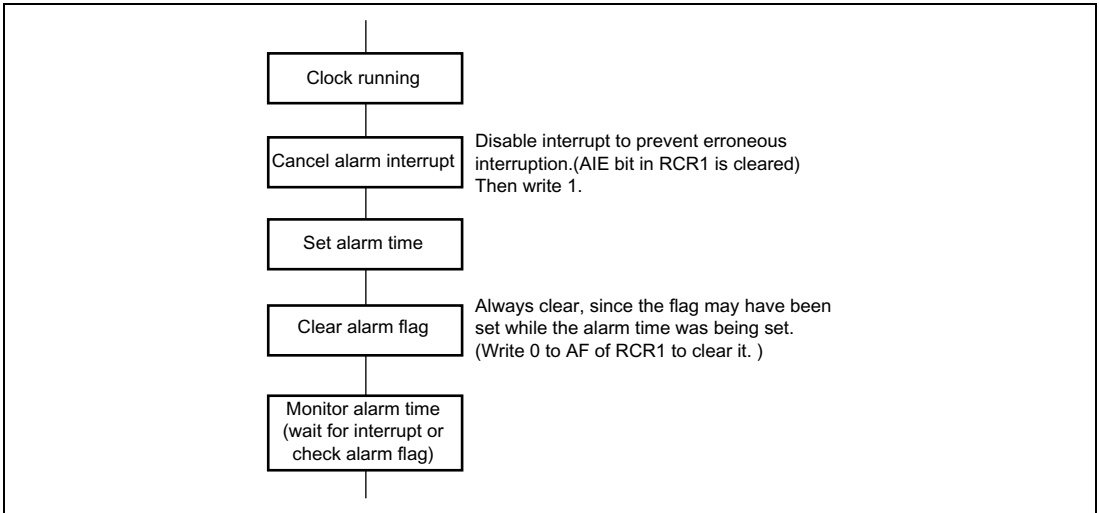


## 15.4.4 Alarm Function

Figure 15.4 shows how to use the alarm function.

Alarms can be generated using seconds, minutes, hours, day of the week, date, month, year, or any combination of these. Set the ENB or YAEN bit for the register on which the alarm is placed to 1, and then set the alarm time in the lower bits. Clear the ENB or YAEN bit for the register on which the alarm is not placed to 0.

When the clock and alarm times match, 1 is set in the AF bit in RCR1. Alarm detection can be checked by reading this bit, but normally it is done by interrupt. If 1 is placed in the AIE bit in RCR1, an interrupt is generated when an alarm occurs.



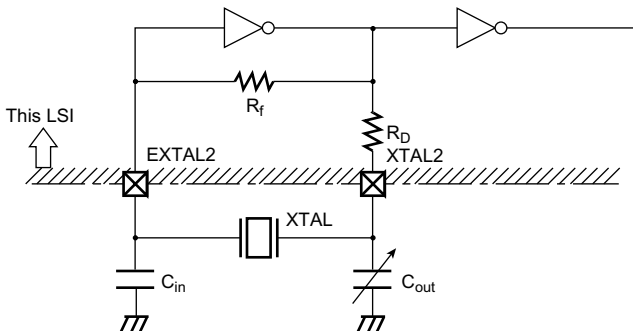
**Figure 15.4 Using the Alarm Function**

## 15.4.5 Crystal Oscillator Circuit

Crystal oscillator circuit constants (recommended values) are shown in table 15.2, and the RTC crystal oscillator circuit in figure 15.5.

**Table 15.2 Recommended Oscillator Circuit Constants (Recommended Values)**

| $f_{osc}$  | $C_{in}$    | $C_{out}$   |
|------------|-------------|-------------|
| 32.768 kHz | 10 to 22 pF | 10 to 22 pF |



- Notes:
1. Select either the  $C_{in}$  or  $C_{out}$  side for frequency adjustment variable capacitor according to requirements such as frequency range, stability, etc.
  2. Built-in resistance value  $R_f$  (Typ value) = 10 M $\Omega$ ,  $R_D$  (Typ value) = 400 k $\Omega$
  3.  $C_{in}$  and  $C_{out}$  values include stray capacitance due to the wiring. Take care when using a ground plane.
  4. The crystal oscillation settling time depends on the mounted circuit constants, stray capacitance, etc., and should be decided after consultation with the crystal resonator manufacturer.
  5. Place the crystal resonator and load capacitors  $C_{in}$  and  $C_{out}$  as close as possible to the chip.  
(Correct oscillation may not be possible if there is externally induced noise in the EXTAL2 and XTAL2 pins.)
  6. Ensure that the crystal resonator connection pin (EXTAL2, XTAL2) wiring is routed as far away as possible from other power lines (except GND) and signal lines.

**Figure 15.5 Example of Crystal Oscillator Circuit Connection**

## 15.5 Notes for Usage

### 15.5.1 Register Writing during RTC Count

The following RTC registers cannot be written to during an RTC count (while the START bit in RCR2 = 1).

RSECCNT, RMINCNT, RHRCNT, RDAYCNT, RWKCNT, RMONCNT, RYRCNT

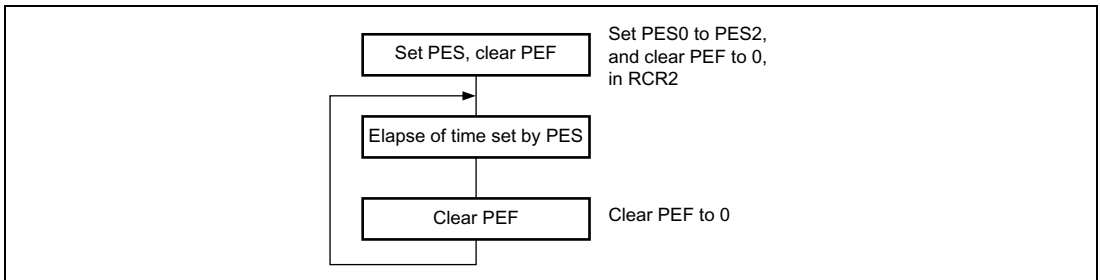
The RTC count must be halted before writing to any of the above registers.

### 15.5.2 Use of Realtime Clock (RTC) Periodic Interrupts

The method of using the periodic interrupt function is shown in figure 15.6.

A periodic interrupt can be generated periodically at the interval set by the periodic interrupt interval bits (PES0 to PES2) in RCR2. When the time set by the PES0 to PES2 bits has elapsed, the PEF bit is set to 1.

The PEF is cleared to 0 upon periodic interrupt generation when the periodic interrupt interval bits (PES0 to PES2) is set. Periodic interrupt generation can be confirmed by reading this bit, but normally the interrupt function is used.



**Figure 15.6 Using Periodic Interrupt Function**

### 15.5.3 Standby Mode after Register Setting

If the standby mode is entered after the RTC registers are set, the time cannot be counted correctly. After setting the registers, wait for 2 RTC clock cycles or longer before the standby mode is entered.



# Section 16 Serial Communication Interface with FIFO (SCIF)

This LSI has a two-channel serial communication interface with on-chip FIFO buffers (Serial Communication Interface with FIFO: SCIF). The SCIF can perform asynchronous and clock synchronous serial communication.

64-stage FIFO registers are provided for both transmission and reception, enabling fast, efficient, and continuous communication.

## 16.1 Features

- Asynchronous mode

Serial data communication is executed using an asynchronous system in which synchronization is achieved character by character. Serial data communication can be carried out with standard asynchronous communication chips such as a Universal Asynchronous Receiver/Transmitter (UART) or Asynchronous Communication Interface Adapter (ACIA).

There is a choice of eight serial data communication formats.

- Data length: 7 or 8 bits

- Stop bit length: 1 or 2 bits

- Parity: Even/odd/none

- LSB-first transfer

- Receive error detection: Parity, framing, and overrun errors

- Break detection: If a framing error is followed by at least one frame at the space “0” (low) level, a break is detected.

- Clock synchronous mode

Serial data communication is synchronized with a clock. Serial data communication can be carried out with other chips that have a synchronous communication function.

- Data length: 8 bits

- LSB-first transfer

- Full-duplex communication capability

The transmitter and receiver are independent units, enabling transmission and reception to be performed simultaneously.

The transmitter and receiver both have a 64-stage FIFO buffer structure, enabling fast and continuous serial data transmission and reception.

- On-chip baud rate generator allows any bit rate to be selected.

- Choice of serial clock source: internal clock from baud rate generator or external clock from SCK pin.

- Six interrupt sources in asynchronous mode

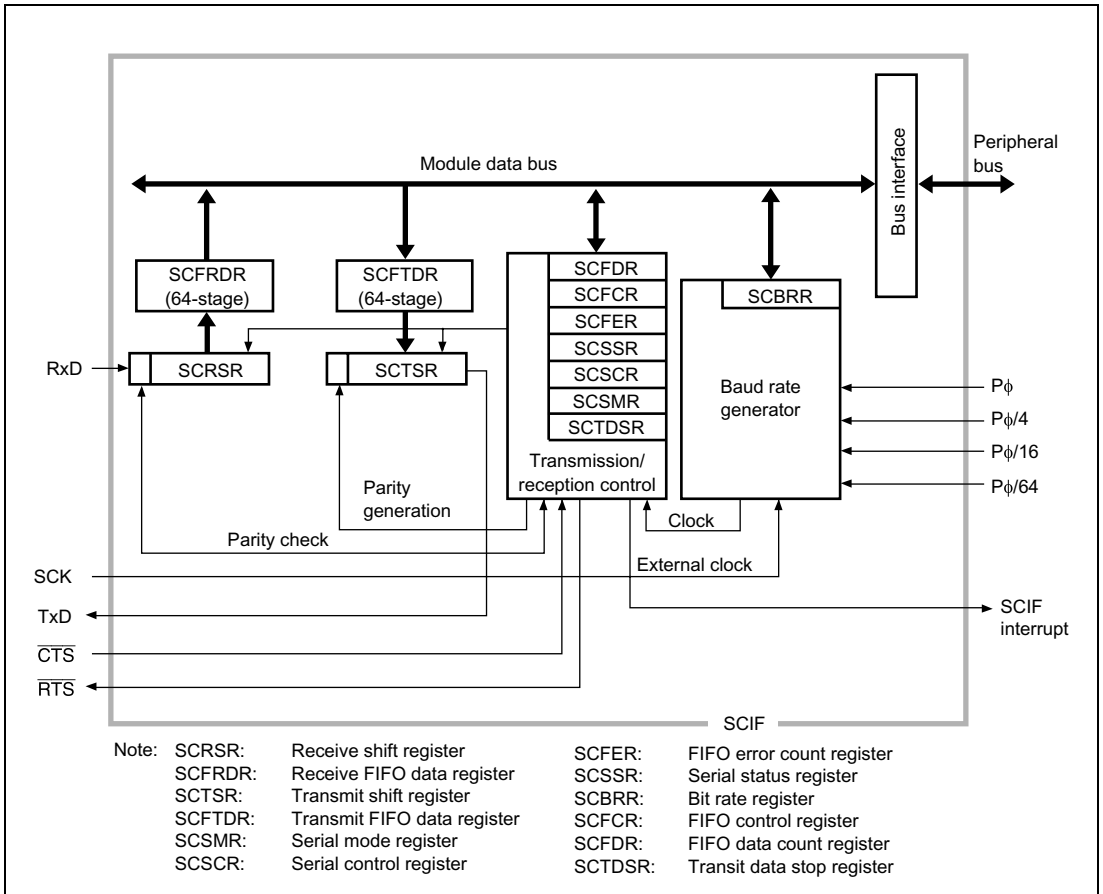
There are six interrupt sources—transmit-data-stop, transmit-FIFO-data-empty, receive-FIFO-data-full, receive-error (framing/parity error), break-receive, and receive-data-ready interrupts.

- Two interrupt sources in clock synchronous mode

There are two interrupt sources—transmit-FIFO-data-empty and receive-FIFO-data-full interrupts.

- The DMA controller (DMAC) can be activated to execute a data transfer in the event of a transmit-FIFO-data-empty, transmit-data-stop, or receive-FIFO-data-full interrupt. The DMAC requests of transmit-FIFO-data-empty and transmit-data-stop interrupts are the same.
- On-chip modem control functions ( $\overline{\text{CTS}}$  and  $\overline{\text{RTS}}$ )
- On-chip transmit-data-stop functions (only in asynchronous mode)
- When not in use, the SCIF can be stopped by halting its clock supply to reduce power consumption.
- The amount of data in the transmit/receive FIFO registers and the number of receive errors in the receive data in the receive FIFO register can be ascertained.

Figure 16.1 shows a block diagram of the SCIF.



**Figure 16.1 Block Diagram of SCIF**

## 16.2 Input/Output Pins

Table 16.1 shows the SCIF pin configuration.

**Table 16.1 Pin Configuration**

| Channel | Pin Name      | Abbreviation* <sup>1</sup> | I/O                     | Function     |                       |
|---------|---------------|----------------------------|-------------------------|--------------|-----------------------|
| 0       | Serial clock  | SCK0                       | SCK                     | Input/output | Clock input/output    |
|         | Receive data  | RxD0                       | RxD* <sup>2</sup>       | Input        | Receive data input    |
|         | Transmit data | TxD0                       | TxD* <sup>2</sup>       | Output       | Transmit data output  |
|         | Modem control | $\overline{\text{CTS0}}$   | $\overline{\text{CTS}}$ | Input        | Transmission possible |
|         | Modem control | $\overline{\text{RTS0}}$   | $\overline{\text{RTS}}$ | Output       | Transmit request      |
| 2       | Serial clock  | SCK2                       | SCK                     | Input/output | Clock input/output    |
|         | Receive data  | RxD2                       | RxD* <sup>2</sup>       | Input        | Receive data input    |
|         | Transmit data | TxD2                       | TxD* <sup>2</sup>       | Output       | Transmit data output  |
|         | Modem control | $\overline{\text{CTS2}}$   | $\overline{\text{CTS}}$ | Input        | Transmission possible |
|         | Modem control | $\overline{\text{RTS2}}$   | $\overline{\text{RTS}}$ | Output       | Transmit request      |

- Notes:
1. The pins are collectively called SCK, RxD, TxD,  $\overline{\text{CTS}}$ , and  $\overline{\text{RTS}}$  without channel number in the following descriptions.
  2. These pins are made to function as serial pins by setting SCIF operation with the TE and RE bits in SCSCR.



## 16.3 Register Descriptions

The SCIF has the following internal registers. For details on register addresses and register states in each processing state, refer to section 24, List of Registers.

### 1. Channel 0

- Serial mode register 0 (SCSMR\_0)
- Bit rate register 0 (SCBRR\_0)
- Serial control register 0 (SCSCR\_0)
- Transmit data stop register 0 (SCTDSR\_0)
- FIFO error count register 0 (SCFER\_0)
- Serial status register 0 (SCSSR\_0)
- FIFO control register 0 (SCFCR\_0)
- FIFO data count register 0 (SCFDR\_0)
- Transmit FIFO data register 0 (SCFTDR\_0)
- Receive FIFO data register 0 (SCFRDR\_0)

### 2. Channel 2

- Serial mode register 2 (SCSMR\_2)
- Bit rate register 2 (SCBRR\_2)
- Serial control register 2 (SCSCR\_2)
- Transmit data stop register 2 (SCTDSR\_2)
- FIFO error count register 2 (SCFER\_2)
- Serial status register 2 (SCSSR\_2)
- FIFO control register 2 (SCFCR\_2)
- FIFO data count register 2 (SCFDR\_2)
- Transmit FIFO data register 2 (SCFTDR\_2)
- Receive FIFO data register 2 (SCFRDR\_2)

### 16.3.1 Receive Shift Register (SCRSR)

SCRSR is the register used to receive serial data.

The SCIF sets serial data input from the RxD pin in SCRSR in the order received, starting with the LSB (bit 0), and converts it to parallel data. When one byte of data has been received, it is transferred to the receive FIFO data register, SCFRDR, automatically.

SCRSR cannot be directly read or written to by the CPU.

### 16.3.2 Receive FIFO Data Register (SCFRDR)

SCFRDR is a 64-stage 8-bit FIFO register that stores received serial data.

When the SCIF has received one byte of serial data, it transfers the received data from SCRSR to SCFRDR where it is stored, and completes the receive operation. SCRSR is then enabled for reception, and consecutive receive operations can be performed until the receive FIFO data register is full (64 data bytes).

SCFRDR is a read-only register, and cannot be written to by the CPU.

If a read is performed when there is no receive data in the receive FIFO data register, an undefined value will be returned. When the receive FIFO data register is full of receive data, subsequent serial data is lost.

| Bit    | Bit Name            | Initial Value | R/W | Description              |
|--------|---------------------|---------------|-----|--------------------------|
| 7 to 0 | SCFRD7 to<br>SCFRD0 | Undefined     | R   | Serial Receive Data FIFO |

### 16.3.3 Transmit Shift Register (SCTSR)

SCTSR is the register used to transmit serial data.

To perform serial data transmission, the SCIF first transfers transmit data from SCFTDR to SCTSR, then sends the data sequentially to the TxD pin starting with the LSB (bit 0).

When transmission of one byte is completed, the next transmit data is transferred from SCFTDR to SCTSR, and transmission is started automatically.

SCTSR cannot be directly read or written to by the CPU.

### 16.3.4 Transmit FIFO Data Register (SCFTDR)

SCFTDR is an 8-bit 64-stage FIFO data register that stores data for serial transmission.

If SCTSR is empty when transmit data is written to SCFTDR, the SCIF transfers the transmit data written in SCFTDR to SCTSR and starts serial transmission.

SCFTDR is a write-only register, and cannot be read by the CPU.

The next data cannot be written when SCFTDR is filled with 64 bytes of transmit data. Data written in this case is ignored.

| Bit    | Bit Name            | Initial Value | R/W | Description               |
|--------|---------------------|---------------|-----|---------------------------|
| 7 to 0 | SCFTD7 to<br>SCFTD0 | Undefined     | W   | Serial Transmit Data FIFO |

### 16.3.5 Serial Mode Register (SCSMR)

SCSMR is a 16-bit readable/writable register used to set the SCIF's serial transfer format and select the baud rate generator clock source and the sampling rate.

| Bit      | Bit Name | Initial Value | R/W | Description  |
|----------|----------|---------------|-----|--|
| 15 to 11 | —        | 0             | R   | Reserved<br>These bits are always read as 0. The write value should always be 0.   |
| 10       | SRC2     | 0             | R/W | Sampling Control   |
| 9        | SRC1     | 0             | R/W | Select the sampling rate in asynchronous mode. This setting is valid only in asynchronous mode.  |
| 8        | SRC0     | 0             | R/W | 000: Sampling rate 1/16<br>001: Sampling rate 1/5<br>010: Sampling rate 1/11<br>011: Sampling rate 1/13<br>100: Sampling rate 1/29<br>101: Setting prohibited<br>110: Setting prohibited<br>111: Setting prohibited  |
| 7        | C/A      | 0             | R/W | Communication Mode<br>Selects whether the SCI operates in the asynchronous or clock synchronous mode.<br>0: Asynchronous mode<br>1: Clock synchronous mode   |
| 6        | CHR      | 0             | R/W | Character Length<br>Selects seven or eight bits as the data length.<br>This setting is only valid in asynchronous mode. In clock synchronous mode, the data length is always eight bits, regardless of the CHR setting.<br>0: 8-bit data<br>1: 7-bit data*<br>Note: * When the 7-bit data is selected, the MSB bit (bit 7) in the transmit FIFO data register (SCFTDR) is not transmitted. |

| Bit | Bit Name | Initial Value | R/W | Description   |
|-----|----------|---------------|-----|---|
| 5   | PE       | 0             | R/W | <p>Parity Enable</p> <p>Selects whether or not parity bit addition is performed in transmission, and parity bit checking in reception.</p> <p>This setting is only valid in asynchronous mode. In synchronous mode, parity bit addition and checking is not performed, regardless of the PE setting.</p> <p>0: Parity bit addition and checking disabled<br/>1: Parity bit addition and checking enabled*</p> <p>Note: * When the PE bit is set to 1, the parity (even or odd) specified by the O/E bit is added to transmit data before transmission. In reception, the parity bit is checked for the parity (even or odd) specified by the O/E bit.</p>   |
| 4   | O/E      | 0             | R/W | <p>Parity Mode</p> <p>Selects either even or odd parity for use in parity addition and checking. The O/E bit setting is only valid when the PE bit is set to 1, enabling parity bit addition and checking. The O/E bit setting is invalid when parity addition and checking is disabled in asynchronous and clock synchronous mode.</p> <p>0: Even parity*<sup>1</sup><br/>1: Odd parity*<sup>2</sup></p> <p>Notes: 1. When even parity is set, parity bit addition is performed in transmission so that the total number of 1-bits in the transmit character plus the parity bit is even. In reception, a check is performed to see if the total number of 1-bits in the receive character plus the parity bit is even.</p> <p>2. When odd parity is set, parity bit addition is performed in transmission so that the total number of 1-bits in the transmit character plus the parity bit is odd. In reception, a check is performed to see if the total number of 1-bits in the receive character plus the parity bit is odd.</p> |

| Bit | Bit Name | Initial Value | R/W | Description  |
|-----|----------|---------------|-----|--|
| 3   | STOP     | 0             | R/W | <p>Stop Bit Length</p> <p>Selects one or two bits as the stop bit length. In reception, only the first stop bit is checked, regardless of the STOP bit setting. If the second stop bit is 1, it is treated as a stop bit; if it is 0, it is treated as the start bit of the next transmit character.</p> <p>This setting is only valid in asynchronous mode. In clock synchronous mode, this setting is invalid since stop bits are not added.</p> <p>0: One stop bit*<sup>1</sup><br/>1: Two stop bits*<sup>2</sup></p> <p>Notes: 1. In transmission, a single 1-bit (stop bit) is added to the end of a transmit character before it is sent.<br/>2. In transmission, two 1-bits (stop bits) are added to the end of a transmit character before it is sent.</p> |
| 2   | —        | 0             | R   | <p>Reserved</p> <p>This bit is always read as 0. The write value should always be 0.</p>   |
| 1   | CKS1     | 0             | R/W | Clock Select   |
| 0   | CKS0     | 0             | R/W | <p>Select the clock source for the on-chip baud rate generator.</p> <p>00: P<math>\phi</math><br/>01: P<math>\phi</math>/4<br/>10: P<math>\phi</math>/16<br/>11: P<math>\phi</math>/64</p>   |

Note: When the clock synchronous mode is selected (C/A bit = 1), the bits other than CKS1 and CKS0 bits are all fixed to 0.

## 16.3.6 Serial Control Register (SCSCR)

SCSCR is a 16-bit readable/writable register that enables or disables the SCIF transfer operations and interrupt requests, and selects the serial clock source.

| Bit      | Bit Name | Initial Value | R/W | Description  |
|----------|----------|---------------|-----|--|
| 15 to 12 | —        | 0             | R   | Reserved<br>These bits are always read as 0. The write value should always be 0.   |
| 11       | TSIE     | 0             | R/W | Transmit Data Stop Interrupt Enable<br>Enables or disables generation of a transmit-data-stop interrupt when the TSE bit in SCFCR is enabled and the TSF flag in SCSSR is set to 1.<br>0: Transmit-data-stop interrupt disabled*<br>1: Transmit-data-stop interrupt enabled<br>Note: * The interrupt request is cleared by clearing the TSF flag to 0 after reading 1 from it or clearing the TSIE bit to 0. |
| 10       | ERIE     | 0             | R/W | Receive Error Interrupt Enable<br>Enables or disables generation of a receive-error (framing or parity error) interrupt when the ER flag in SCSSR is set to 1.<br>0: Receive-error interrupt disabled*<br>1: Receive-error interrupt enabled<br>Note: * The interrupt request is cleared by clearing the ER flag to 0 after reading 1 from it or clearing the ERIE bit to 0.                                 |

| Bit | Bit Name | Initial Value | R/W | Description   |
|-----|----------|---------------|-----|---|
| 9   | BRIE     | 0             | R/W | <p>Break Interrupt Enable</p> <p>Enables or disables generation of a break-receive interrupt when the BRK flag in SCSSR is set to 1.</p> <p>0: Break-receive interrupt disabled*</p> <p>1: Break-receive interrupt enabled</p> <p>Note: *The interrupt request is cleared by clearing the BRK flag to 0 after reading 1 from it or clearing the BRIE bit to 0.</p>  |
| 8   | DRIE     | 0             | R/W | <p>Receive Data Ready Interrupt Enable</p> <p>Enables or disables generation of a receive-data-ready interrupt when the DR flag in SCSSR is set to 1.</p> <p>0: Receive-data-ready interrupt disabled*</p> <p>1: Receive-data-ready interrupt enabled</p> <p>Note: *The interrupt request is cleared by clearing the DR flag to 0 after reading 1 from it or clearing the DRIE bit to 0.</p>  |
| 7   | TIE      | 0             | R/W | <p>Transmit Interrupt Enable</p> <p>Enables or disables generation of a transmit-FIFO-data-empty interrupt request when the TDFE flag in SCSSR is set to 1.</p> <p>0: Transmit-FIFO-data-empty interrupt request disabled*</p> <p>1: Transmit-FIFO-data-empty interrupt request enabled</p> <p>Note: *The interrupt request is cleared by writing transmit data exceeding the transmit trigger set number to SCFTDR, reading 1 from the TDFE flag, then clearing it to 0, or clearing the TIE bit to 0.</p> |
| 6   | RIE      | 0             | R/W | <p>Receive Interrupt Enable</p> <p>Enables or disables generation of a receive-FIFO-data-full interrupt request when the RDF flag in SCSSR is set to 1.</p> <p>0: Receive-FIFO-data-full interrupt request disabled*</p> <p>1: Receive-FIFO-data-full interrupt request enabled</p> <p>Note: *The interrupt requests is cleared by reading 1 from the RDF flag, then clearing the flag to 0, or clearing the RIE bit to 0.</p>  |



| Bit  | Bit Name | Initial Value | R/W | Description   |
|------|----------|---------------|-----|---|
| 5    | TE       | 0             | R/W | <p>Transmit Enable</p> <p>Enables or disables the start of serial transmission by the SCIF.</p> <p>0: Transmission disabled<br/>1: Transmission enabled*</p> <p>Note: * The serial mode register (SCSMR) and FIFO control register (SCFCR) settings must be made, the transmit format decided, and the transmit FIFO reset, before the TE bit is set to 1.</p>  |
| 4    | RE       | 0             | R/W | <p>Receive Enable</p> <p>Enables or disables the start of serial reception by the SCIF.</p> <p>0: Reception disabled*<sup>1</sup><br/>1: Reception enabled*<sup>2</sup></p> <p>Notes: 1. Clearing the RE bit to 0 does not affect the DR, ER, BRK, RDF, FER, PER, and ORER flags, which retain their state.<br/>2. The serial mode register (SCSMR) and FIFO control register (SCFCR) settings must be made, the receive format decided, and the receive FIFO reset, before the RE bit is set to 1.</p> |
| 3, 2 | —        | 0             | R   | <p>Reserved</p> <p>These bits are always read as 0. The write value should always be 0.</p>   |

| Bit | Bit Name | Initial Value | R/W | Description  |
|-----|----------|---------------|-----|--|
| 1   | CKE1     | 0             | R/W | Clock Enable   |
| 0   | CKE0     | 0             | R/W | <p>Select the SCIF clock source. The CKE1 and CKE0 bits must be set before determining the SCIF operating mode with SCSMR.</p> <p>00: Internal clock/SCK pin functions as input pin (input signal ignored)</p> <p>01: Internal clock/SCK pin functions as serial clock output*<sup>1</sup></p> <p>10: External clock/SCK pin functions as clock input*<sup>2</sup></p> <p>11: External clock/SCK pin functions as clock input*<sup>2</sup></p> <p>When data is sampled by the on-chip baud rate generator, set bits CKE1 and CKE0 to B'00 (internal clock/SCK pin functions as input pin (input signal ignored)).</p> <p>When using the SCK pin as a port, set bits CKE1 and CKE0 to B'00.</p> <p>Notes: 1. In synchronous mode, a clock with a frequency equal to the bit rate is output.</p> <p>2. In asynchronous mode, a clock with a sampling rate should be input. For example, when the sampling rate is 1/16, a clock with a frequency of 8 times the bit rate should be input. When an external clock is not input, set bits CKE1 and CKE0 to B'00 or B'01.</p> |

### 16.3.7 FIFO Error Count Register (SCFER)

SCFER is a 16-bit read-only register that indicates the number of receive errors (framing or parity error).

| Bit     | Bit Name     | Initial Value | R/W | Description  |
|---------|--------------|---------------|-----|--|
| 15, 14  | —            | 0             | R   | Reserved<br>These bits are always read as 0. The write value should always be 0.   |
| 13 to 8 | PER5 to PER0 | 0             | R   | Parity Error Count<br>Indicates the number of data, in which parity errors are generated, in receive data stored in the receive FIFO data register (SCFRDR) in asynchronous mode.<br>After setting the ER bit in SCSSR, the value of bits 13 to 8 indicates the number of parity error generated data.<br>When all 64 bytes of receive data in SCFRDR have parity errors, the PER5 to PER0 bits indicate 0.    |
| 7, 6    | —            | 0             | R   | Reserved<br>These bits are always read as 0. The write value should always be 0.   |
| 5 to 0  | FER5 to FER0 | 0             | R   | Framing Error Count<br>Indicates the number of data, in which framing errors are generated, in receive data stored in the receive FIFO data register (SCFRDR) in asynchronous mode.<br>After setting the ER bit in SCSSR, the value of bits 5 to 0 indicates the number of framing error generated data.<br>When all 64 bytes of receive data in SCFRDR have framing errors, the FER5 to FER0 bits indicate 0. |

### 16.3.8 Serial Status Register (SCSSR)

SCSSR is a 16-bit readable/writable register that indicates the SCIF status.

However, 1 cannot be written to the ORER, TSF, ER, TDFE, BRK, RDF, and DR flags. Also note that in order to clear these flags to 0, they must be read as 1 beforehand. The TEND, FER, and PER flags are read-only flags and cannot be modified.

| Bit      | Bit Name | Initial Value | R/W    | Description   |
|----------|----------|---------------|--------|---|
| 15 to 10 | —        | 0             | R      | Reserved<br>These bits are always read as 0. The write value should always be 0.  |
| 9        | ORER     | 0             | R/(W)* | <b>Overflow Error</b><br>Indicates that an overflow error occurred during reception.<br>This bit is only valid in asynchronous mode.<br>0: Reception in progress, or reception has ended successfully*1<br>[Clearing conditions] <ul style="list-style-type: none"><li>• Power-on reset or manual reset</li><li>• When 0 is written to ORER after reading ORER = 1</li></ul> 1: An overflow error occurred during reception*2<br>[Setting condition]<br>When serial reception is completed while receive FIFO is full<br>Notes: 1. The ORER flag is not affected and retains its previous state when the RE bit in SCSCR is cleared to 0.<br>2. The receive data prior to the overflow error is retained in SCFRDR, and the data received subsequently is lost. Serial reception cannot be continued while the ORER flag is set to 1. |

| Bit | Bit Name | Initial Value | R/W    | Description  |
|-----|----------|---------------|--------|--|
| 8   | TSF      | 0             | R/(W)* | <p>Transmit Data Stop</p> <p>Indicates that the number of transmit data matches the value of SCTDSR.</p> <p>0: Number of transmit data does not match the value of SCTDSR</p> <p>[Clearing conditions]</p> <ul style="list-style-type: none"> <li>• Power-on reset or manual reset</li> <li>• When 0 is written to TSF after reading TSF = 1</li> </ul> <p>1: Number of transmit data matches the value of SCTDSR</p>  |
| 7   | ER       | 0             | R/(W)* | <p>Receive Error</p> <p>Indicates that a framing error or parity error occurred during reception in asynchronous mode.*1</p> <p>0: No framing error or parity error occurred during reception</p> <p>[Clearing conditions]</p> <ul style="list-style-type: none"> <li>• Power-on reset or manual reset</li> <li>• When 0 is written to ER after reading ER = 1</li> </ul> <p>1: A framing error or parity error occurred during reception</p> <p>[Setting conditions]</p> <ul style="list-style-type: none"> <li>• When the SCIF checks whether the stop bit at the end of the receive data is 1 when reception ends, and the stop bit is 0*2</li> <li>• When, in reception, the number of 1-bits in the receive data plus the parity bit does not match the parity setting (even or odd) specified by the O/E bit in SCSMR</li> </ul> <p>Notes: 1. The ER flag is not affected and retains its previous state when the RE bit in SCSCR is cleared to 0. When a receive error occurs, the receive data is still transferred to SCFRDR, and reception continues.<br/>The FER and PER bits in SCSSR can be used to determine whether there is a receive error in the data read from SCFRDR.</p> <p>2. When the stop length is two bits, only the first stop bit is checked for a value of 1; the second stop bit is not checked.</p> |

| Bit | Bit Name | Initial Value | R/W    | Description   |
|-----|----------|---------------|--------|---|
| 6   | TEND     | 1             | R      | <p>Transmit End</p> <p>Indicates that there is no valid data in SCFTDR when the last bit of the transmit character is sent, and transmission has been ended.</p> <p>0: Transmission is in progress<br/>[Clearing condition]</p> <p>When data is written to SCFTDR</p> <p>1: Transmission has been ended<br/>[Setting condition]</p> <p>When there is no transmit data in SCFTDR on transmission of a 1-byte serial transmit character</p>   |
| 5   | TDFE     | 1             | R/(W)* | <p>Transmit FIFO Data Empty</p> <p>Indicates that data has been transferred from SCFTDR to SCTSR, the number of data bytes in SCFTDR has fallen to or below the transmit trigger data number set by bits TTRG1 and TTRG0 in the FIFO control register (SCFCR), and new transmit data can be written to SCFTDR.</p> <p>0: A number of transmit data bytes exceeding the transmit trigger set number have been written to SCFTDR<br/>[Clearing condition]</p> <p>When transmit data exceeding the transmit trigger set number is written to SCFTDR, and 0 is written to TDFE after reading TDFE = 1</p> <p>1: The number of transmit data bytes in SCFTDR does not exceed the transmit trigger set number<br/>[Setting conditions]</p> <ul style="list-style-type: none"> <li>• Power-on reset or manual reset</li> <li>• When the number of SCFTDR transmit data bytes falls to or below the transmit trigger set number as the result of a transmit operation*1</li> </ul> <p>Note: 1. As SCFTDR is a 64-byte FIFO register, the maximum number of bytes that can be written when TDFE = 1 is 64 – (transmit trigger set number). Data written in excess of this will be ignored. The number of data bytes in SCFTDR is indicated by SCFDR.</p> |

| Bit | Bit Name | Initial Value | R/W    | Description   |
|-----|----------|---------------|--------|---|
| 4   | BRK      | 0             | R/(W)* | <p>Break Detect</p> <p>Indicates that a receive data break signal has been detected in asynchronous mode.</p> <p>0: A break signal has not been received</p> <p>[Clearing conditions]</p> <ul style="list-style-type: none"> <li>• Power-on reset or manual reset</li> <li>• When 0 is written to BRK after reading BRK = 1</li> </ul> <p>1: A break signal has been received*1</p> <p>[Setting condition]</p> <p>When data with a framing error is received, followed by the space 0 level (low level) for at least one frame length</p> <p>Note: 1. When a break is detected, the receive data (H'00) following detection is not transferred to SCFRDR. When the break ends and the receive signal returns to mark 1, receive data transfer is resumed.</p> |
| 3   | FER      | 0             | R      | <p>Framing Error</p> <p>Indicates a framing error in the data read from SCFRDR in asynchronous mode.</p> <p>0: There is no framing error in the receive data read from SCFRDR</p> <p>[Clearing conditions]</p> <ul style="list-style-type: none"> <li>• Power-on reset or manual reset</li> <li>• When there is no framing error in SCFRDR read data</li> </ul> <p>1: There is a framing error in the receive data read from SCFRDR</p> <p>[Setting condition]</p> <p>When there is a framing error in SCFRDR read data</p>   |

| Bit | Bit Name | Initial Value | R/W    | Description   |
|-----|----------|---------------|--------|---|
| 2   | PER      | 0             | R      | <p>Parity Error</p> <p>Indicates a parity error in the data read from SCFRDR in asynchronous mode.</p> <p>0: There is no parity error in the receive data read from SCFRDR</p> <p>[Clearing conditions]</p> <ul style="list-style-type: none"> <li>• Power-on reset or manual reset</li> <li>• When there is no parity error in SCFRDR read data</li> </ul> <p>1: There is a parity error in the receive data read from SCFRDR</p> <p>[Setting condition]</p> <p>When there is a parity error in SCFRDR read data</p>   |
| 1   | RDF      | 0             | R/(W)* | <p>Receive FIFO Data Full</p> <p>Indicates that the received data has been transferred from SCRSR to SCFRDR, and the number of receive data bytes in SCFRDR is equal to or greater than the receive trigger number set by bits RTRG1 and RTRG0 in the FIFO control register (SCFCR).</p> <p>0: The number of receive data bytes in SCFRDR is less than the receive trigger set number</p> <p>[Clearing conditions]</p> <ul style="list-style-type: none"> <li>• Power-on reset or manual reset</li> <li>• When SCFRDR is read until the number of receive data bytes in SCFRDR falls below the receive trigger set number, and 0 is written to RDF after reading RDF = 1</li> </ul> <p>1: The number of receive data bytes in SCFRDR is equal to or greater than the receive trigger set number</p> <p>[Setting condition]</p> <p>When SCFRDR contains at least the receive trigger set number of receive data bytes*1</p> <p>Note: 1. SCFRDR is a 64-byte FIFO register. When RDF = 1, at least the receive trigger set number of data bytes can be read. If data is read when SCFRDR is empty, an undefined value will be returned. The number of receive data bytes in SCFRDR is indicated by the lower bits of SCFDR.</p> |



| Bit | Bit Name | Initial Value | R/W    | Description  |
|-----|----------|---------------|--------|--|
| 0   | DR       | 0             | R/(W)* | <p>Receive Data Ready</p> <p>Indicates that there are fewer than the receive trigger set number of data bytes in SCFRDR and no further data will arrive in asynchronous mode.</p> <p>0: Reception is in progress or has ended successfully and there is no receive data left in SCFRDR</p> <p>[Clearing conditions]</p> <ul style="list-style-type: none"> <li>• Power-on reset or manual reset</li> <li>• When all the receive data in SCFRDR has been read, and 0 is written to DR after reading DR = 1</li> </ul> <p>1: No further receive data has arrived</p> <p>[Setting condition]</p> <p>When SCFRDR contains fewer than the receive trigger set number of receive data bytes and no further data will arrive.*<sup>1</sup></p> <p>Note: 1. The DR bit is set 15 etu after the last data is received at a sampling rate of 1/16 regardless of the setting of the sampling control bits in SCSMR.</p> <p>etu: Elementary time unit (time for transfer of one bit)</p> |

Note: \* Only 0 can be written for clearing the flags.

### 16.3.9 Bit Rate Register (SCBRR)

SCBRR is an 8-bit readable/writable register that sets the serial transfer bit rate in accordance with the baud rate generator operating clock selected by bits CKS1 and CKS0 in SCSMR.

| Bit    | Bit Name       | Initial Value | R/W | Description      |
|--------|----------------|---------------|-----|------------------|
| 7 to 0 | SCBR7 to SCBR0 | H'FF          | R/W | Bit Rate Setting |

The SCBRR setting is found from the following equation.

## Asynchronous Mode:

1. When sampling rate is 1/16

$$N = \frac{P\phi}{32 \times 2^{2n-1} \times B} \times 10^6 - 1$$

2. When sampling rate is 1/5

$$N = \frac{P\phi}{10 \times 2^{2n-1} \times B} \times 10^6 - 1$$

3. When sampling rate is 1/11

$$N = \frac{P\phi}{22 \times 2^{2n-1} \times B} \times 10^6 - 1$$

4. When sampling rate is 1/13

$$N = \frac{P\phi}{26 \times 2^{2n-1} \times B} \times 10^6 - 1$$

5. When sampling rate is 1/29

$$N = \frac{P\phi}{58 \times 2^{2n-1} \times B} \times 10^6 - 1$$

## Clock Synchronous Mode:

$$N = \frac{P\phi}{4 \times 2^{2n-1} \times B} \times 10^6 - 1$$

Where B: Bit rate (bits/s)

N: SCBRR setting for baud rate generator

Asynchronous mode:  $0 \leq N \leq 255$

Clock synchronous mode:  $1 \leq N \leq 255$

Pφ: Peripheral module operating frequency (MHz)

n: Baud rate generator input clock (n = 0 to 3)

(See the table below for the relation between n and the clock.)

| n | Clock | SCSMR Setting |      |
|---|-------|---------------|------|
|   |       | CKS1          | CKS0 |
| 0 | Pφ    | 0             | 0    |
| 1 | Pφ/4  | 0             | 1    |
| 2 | Pφ/16 | 1             | 0    |
| 3 | Pφ/64 | 1             | 1    |

The bit rate error in asynchronous mode is found from the following equation:

1. When sampling rate is 1/16

$$\text{Error (\%)} = \left( \frac{P\phi \times 10^6}{(1+N) \times B \times 32 \times 2^{2n-1}} - 1 \right) \times 100$$

2. When sampling rate is 1/5

$$\text{Error (\%)} = \left( \frac{P\phi \times 10^6}{(1+N) \times B \times 10 \times 2^{2n-1}} - 1 \right) \times 100$$

3. When sampling rate is 1/11

$$\text{Error (\%)} = \left( \frac{P\phi \times 10^6}{(1+N) \times B \times 22 \times 2^{2n-1}} - 1 \right) \times 100$$

4. When sampling rate is 1/13

$$\text{Error (\%)} = \left( \frac{P\phi \times 10^6}{(1+N) \times B \times 26 \times 2^{2n-1}} - 1 \right) \times 100$$

5. When sampling rate is 1/27

$$\text{Error (\%)} = \left( \frac{P\phi \times 10^6}{(1+N) \times B \times 58 \times 2^{2n-1}} - 1 \right) \times 100$$

### 16.3.10 FIFO Control Register (SCFCR)

SCFCR is a 16-bit readable/writable register that resets the data count and sets the trigger data number for the transmit and receive FIFO registers, and also contains a loopback test enable bit.

| Bit      | Bit Name | Initial Value | R/W | Description  |
|----------|----------|---------------|-----|--|
| 15       | TSE      | 0             | R/W | <p>Transmit Data Stop Enable</p> <p>Enables or disables the transmit data stop function.</p> <p>This function is enabled only in asynchronous mode. Since this function is not supported in clock synchronous mode, clear this bit to 0 in clock synchronous mode.</p> <p>0: Transmit data stop function disabled<br/>1: Transmit data stop function enabled</p> |
| 14       | TCRST    | 0             | R/W | <p>Transmit Count Reset</p> <p>Clears the transmit count to 0. This bit is valid only when the transmit data stop function is used.</p> <p>0: Transmit count reset disabled*<br/>1: Transmit count reset enabled (clearing to 0)</p> <p>Note:* The transmit count is reset (clearing to 0) is performed in power-on reset or manual reset.</p>                   |
| 13 to 11 | —        | 0             | R   | <p>Reserved</p> <p>These bits are always read as 0. The write value should always be 0.</p>  |
| 10       | RSTRG2   | 0             | R/W | <p><math>\overline{\text{RTS}}</math> Output Active Trigger</p> <p>The <math>\overline{\text{RTS}}</math> signal goes high when the number of receive data bytes in SCFRDR is equal to or greater than the trigger set number shown in below.</p> <p>000: 63<br/>001: 1<br/>010: 8<br/>011: 16<br/>100: 32<br/>101: 48<br/>110: 54<br/>111: 60</p>               |
| 9        | RSTRG1   | 0             | R/W |  |
| 8        | RSTRG0   | 0             | R/W |  |

| Bit | Bit Name | Initial Value | R/W | Description   |
|-----|----------|---------------|-----|---|
| 7   | RTRG1    | 0             | R/W | Receive FIFO Data Number Trigger  |
| 6   | RTRG0    | 0             | R/W | <p>Set the number of receive data bytes that sets the receive data full (RDF) flag in the serial status register (SCSSR).</p> <p>The RDF flag is set when the number of receive data bytes in SCFRDR is equal to or greater than the trigger set number shown in below.</p> <p>00: 1<br/>01: 16<br/>10: 32<br/>11: 48</p>   |
| 5   | TTRG1    | 0             | R/W | Transmit FIFO Data Number Trigger   |
| 4   | TTRG0    | 0             | R/W | <p>Set the number of remaining transmit data bytes that sets the transmit FIFO data register empty (TDFE) flag in the serial status register (SCSSR).</p> <p>The TDFE flag is set when, as the result of a transmit operation, the number of transmit data bytes in the transmit FIFO data register (SCFTDR) falls to or below the trigger set number shown in below.</p> <p>00: 32 (32)<br/>01: 16 (48)<br/>10: 2 (62)<br/>11: 0 (64)</p> <p>Note: The values in parentheses are the number of empty bytes in SCFTDR when the flag is set.</p> |
| 3   | MCE      | 0             | R/W | <p>Modem Control Enable</p> <p>Enables modem control signals <math>\overline{\text{CTS}}</math> and <math>\overline{\text{RTS}}</math>.</p> <p>This setting is only valid in asynchronous mode.</p> <p>0: Modem signal disabled*<br/>1: Modem signal enabled</p> <p>Note: * <math>\overline{\text{CTS}}</math> is fixed at active 0 regardless of the input value, and <math>\overline{\text{RTS}}</math> is also fixed at 0.</p>   |

| Bit | Bit Name | Initial Value | R/W | Description   |
|-----|----------|---------------|-----|---|
| 2   | TFRST    | 0             | R/W | <p>Transmit FIFO Data Register Reset</p> <p>Invalidates the transmit data in the transmit FIFO data register and resets it to the empty state.</p> <p>0: Reset operation disabled*</p> <p>1: Reset operation enabled</p> <p>Note:* A reset operation is performed in the event of a power-on reset or manual reset.</p>                                     |
| 1   | RFRST    | 0             | R/W | <p>Receive FIFO Data Register Reset</p> <p>Invalidates the receive data in the receive FIFO data register and resets it to the empty state.</p> <p>0: Reset operation disabled*</p> <p>1: Reset operation enabled</p> <p>Note:* A reset operation is performed in the event of a power-on reset or manual reset.</p>  |
| 0   | LOOP     | 0             | R/W | <p>Loopback Test</p> <p>Internally connects the transmit output pin (<math>\overline{\text{TxD}}</math>) and receive input pin (<math>\overline{\text{RxD}}</math>), and <math>\overline{\text{RTS}}</math> pin and <math>\overline{\text{CTS}}</math> pin, enabling loopback testing.</p> <p>0: Loopback test disabled</p> <p>1: Loopback test enabled</p> |

### 16.3.11 FIFO Data Count Register (SCFDR)

SCFDR is a 16-bit read-only register that indicates the number of data bytes stored in the transmit FIFO data register (SCFTDR) and receive FIFO data register (SCFRDR).

Bits 14 to 8 show the number of transmit data bytes in SCFTDR, and bits 6 to 0 show the number of receive data bytes in SCFRDR.

| Bit     | Bit Name | Initial Value | R/W | Description  |
|---------|----------|---------------|-----|--|
| 15      | —        | 0             | R   | Reserved<br>This bit is always read as 0. The write value should always be 0.  |
| 14 to 8 | T6 to T0 | 0             | R   | These bits show the number of untransmitted data bytes in SCFTDR.<br>A value of H'00 means that there is no transmit data, and a value of H'40 means that SCFTDR is full of transmit data. |
| 7       | —        | 0             | R   | Reserved<br>This bit is always read as 0. The write value should always be 0.  |
| 6 to 0  | R6 to R0 | 0             | R   | These bits show the number of receive data bytes in SCFRDR.<br>A value of H'00 means that there is no receive data, and a value of H'40 means that SCFRDR is full of receive data.         |

### 16.3.12 Transmit Data Stop Register (SCTDSR)

SCTDSR is an 8-bit readable/writable register that sets the number of transmit data bytes. SCTDSR is valid only when the TSE bit in the FIFO control register (SCFCR) is enabled. Transmit operation is stopped when the number of data bytes set in SCTDSR is transmitted. The setting value should be H'00 (one byte) to H'FF (256 bytes). This function is only enabled in asynchronous mode.

SCTDSR is initialized to H'FF.

## 16.4 Operation

### 16.4.1 Overview

The SCIF can carry out serial communication in asynchronous mode, in which synchronization is achieved character by character, and in clock synchronous mode, in which synchronization is achieved with clock pulses.

64-stage FIFO buffers are provided for both transmission and reception, reducing the CPU overhead and enabling fast, continuous communication to be performed.

### 16.4.2 Asynchronous Mode

The transfer format is selected using the serial mode register (SCSMR), as shown in table 16.2. The SCIF clock source is determined by the CKE1 and CKE0 bits in the serial control register (SCSCR).

- Data length: Choice of seven or eight bits
- Choice of parity addition and addition of one or two stop bits (the combination of these parameters determines the transfer format and character length)
- Detection of framing errors, parity errors, overrun errors, receive-FIFO-data-full state, receive-data-ready state, and breaks, during reception
- Indication of the number of data bytes stored in the transmit and receive FIFO registers
- Choice of internal or external clock as the SCIF clock source
  - When internal clock is selected: the SCIF operates on the baud rate generator clock.
  - When external clock is selected: A clock must be input according to the sampling rate. For example, when the sampling rate is 1/16, a clock with a frequency of 8 times the bit rate must be input (the on-chip baud rate generator is not used.)



**Table 16.2 SCSMR Settings for Serial Transfer Format Selection**

| SCSMR Settings |              |                |                   | SCIF Transfer Format |                       |               |                    |
|----------------|--------------|----------------|-------------------|----------------------|-----------------------|---------------|--------------------|
| Bit 6:<br>CHR  | Bit 5:<br>PE | Bit 3:<br>STOP | Mode              | Data<br>Length       | Multiprocessor<br>Bit | Parity<br>Bit | Stop Bit<br>Length |
| 0              | 0            | 0              | Asynchronous mode | 8-bit data           | None                  | No            | 1 bit              |
|                |              | 1              |                   |                      |                       |               | 2 bits             |
|                | 1            | 0              |                   |                      |                       | Yes           | 1 bit              |
|                |              | 1              |                   |                      |                       | 2 bits        |                    |
| 1              | 0            | 0              | 7-bit data        | 7-bit data           |                       | No            | 1 bit              |
|                |              | 1              |                   |                      |                       |               | 2 bits             |
|                | 1            | 0              |                   |                      |                       | Yes           | 1 bit              |
|                |              | 1              |                   |                      |                       |               | 2 bits             |

### 16.4.3 Serial Operation in Asynchronous Mode

#### 1. Data Transfer Format

Table 16.3 shows the transfer formats that can be used in asynchronous mode. Any of eight transfer formats can be selected according to the SCSMR settings.

**Table 16.3 Serial Transfer Formats**

| SCSMR Settings |    |      | Serial Transfer Format and Frame Length |            |   |   |   |   |   |      |      |      |      |    |  |
|----------------|----|------|---|------------|---|---|---|---|---|------|------|------|------|----|--|
| CHR            | PE | STOP | 1                                       | 2          | 3 | 4 | 5 | 6 | 7 | 8    | 9    | 10   | 11   | 12 |  |
| 0              | 0  | 0    | S                                       | 8-bit data |   |   |   |   |   |      | STOP |      |      |    |  |
|                |    | 1    | S                                       | 8-bit data |   |   |   |   |   |      | STOP | STOP |      |    |  |
|                | 1  | 0    | S                                       | 8-bit data |   |   |   |   |   |      | P    | STOP |      |    |  |
|                |    | 1    | S                                       | 8-bit data |   |   |   |   |   |      | P    | STOP | STOP |    |  |
| 1              | 0  | 0    | S                                       | 7-bit data |   |   |   |   |   | STOP |      |      |      |    |  |
|                |    | 1    | S                                       | 7-bit data |   |   |   |   |   | STOP | STOP |      |      |    |  |
|                | 1  | 0    | S                                       | 7-bit data |   |   |   |   |   | P    | STOP |      |      |    |  |
|                |    | 1    | S                                       | 7-bit data |   |   |   |   |   | P    | STOP | STOP |      |    |  |

S: Start bit  
 STOP: Stop bit  
 P: Parity bit

## 2. Clock

Either an internal clock generated by the on-chip baud rate generator or an external clock input at the SCK pin can be selected as the serial clock for the SCIF, according to the setting of the CKE1 and CKE0 bits in SCSCR.

When an external clock is input at the SCK pin, a clock must be input according to the sampling rate. For example, when the sampling rate is 1/16, a clock with a frequency of 8 times the bit rate must be input.

## 3. Data Transfer Operations

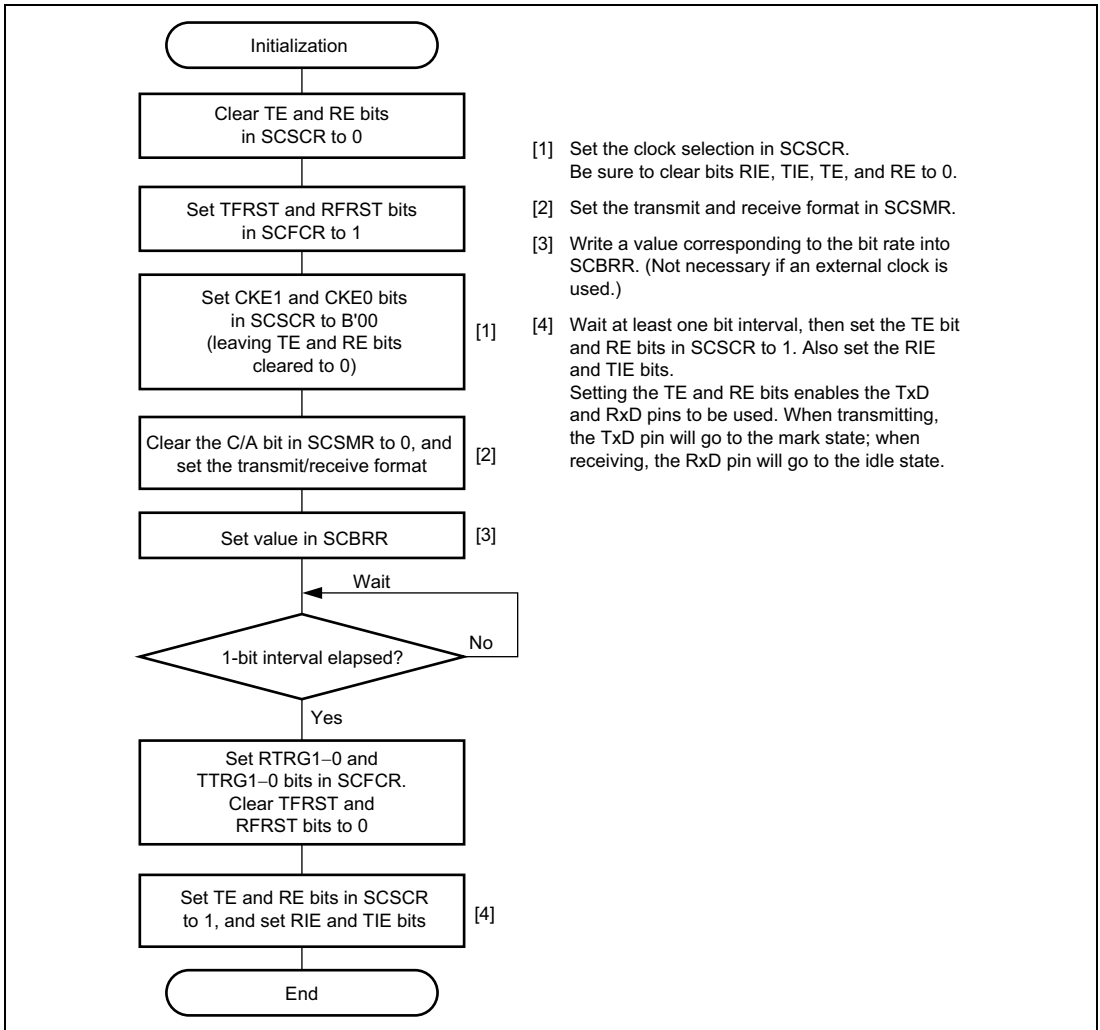
### a. SCIF Initialization

Before transmitting and receiving data, it is necessary to clear the TE and RE bits in SCSCR to 0, then initialize the SCIF as described below.

When the transfer format, etc., is changed, the TE and RE bits must be cleared to 0 before making the change using the following procedure. When the TE bit is cleared to 0, the transmit shift register (SCTSR) is initialized. Note that clearing the TE and RE bits to 0 does not change the contents of SCSSR, SCFTDR, or SCFRDR. The TE bit should be cleared to 0 after all transmit data has been sent and the TEND bit in SCSSR has been set to 1. Clearing to 0 can also be performed during transmission, but the data being transmitted will go to the high-impedance state after the clearance. Before setting TE to 1 again to start transmission, the TFRST bit in SCFCR should first be set to 1 to reset SCFTDR.

When an external clock is used, the clock should not be stopped during operation, including initialization, since operation will be unreliable in this case.

Figure 16.2 shows a sample SCIF initialization flowchart.

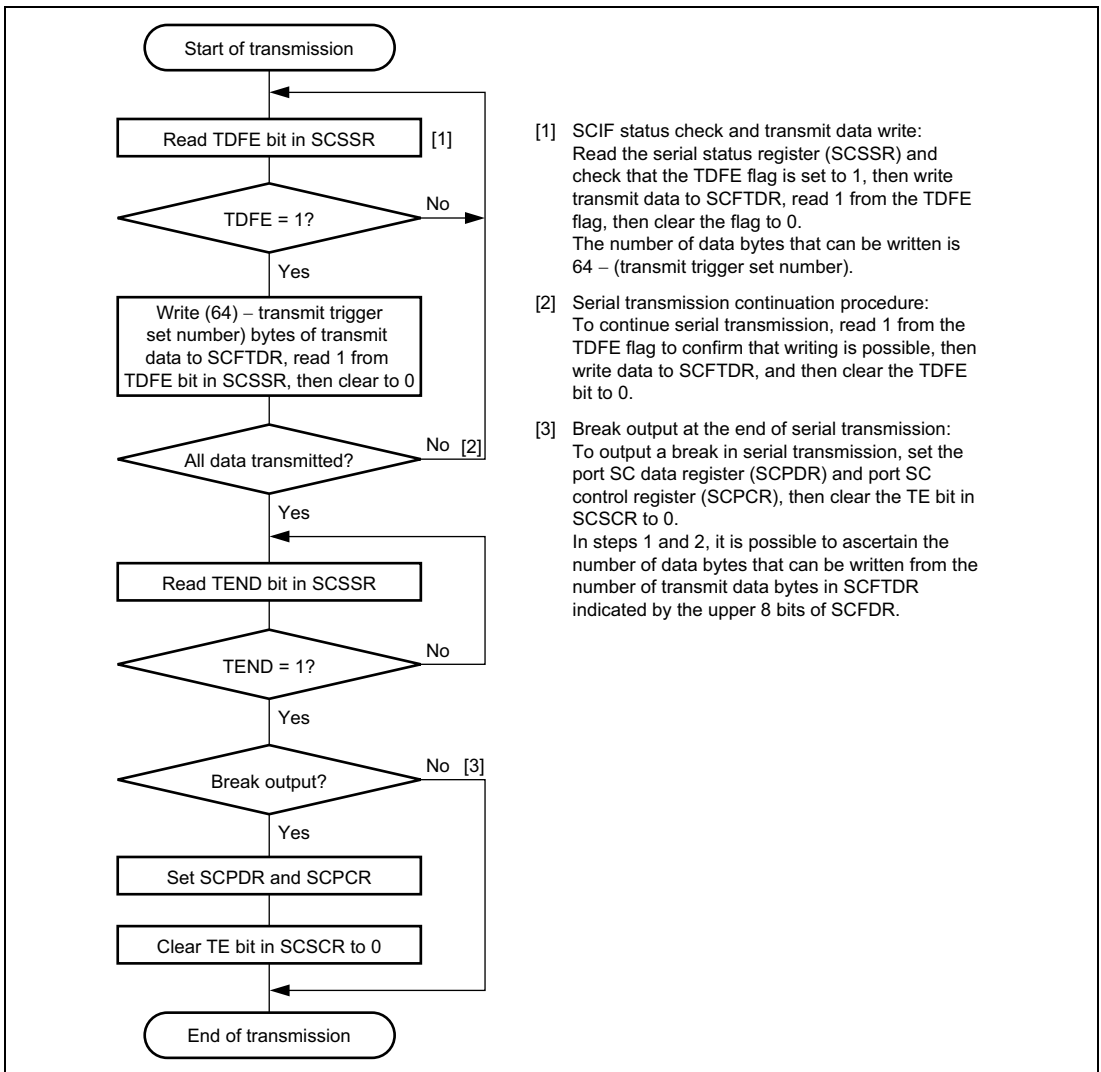


**Figure 16.2 Sample SCIF Initialization Flowchart**

## b. Serial Data Transmission

Figure 16.3 shows a sample flowchart for serial transmission.

Use the following procedure for serial data transmission after enabling the SCIF for transmission.



**Figure 16.3 Sample Serial Transmission Flowchart**

In serial transmission, the SCIF operates as described below.

1. When data is written into SCFTDR, the SCIF transfers the data from SCFTDR to SCTSR and starts transmitting. Confirm that the TDFE flag in the serial status register (SCSSR) is set to 1 before writing transmit data to SCFTDR. The number of data bytes that can be written is at least 64 – (transmit trigger set number).

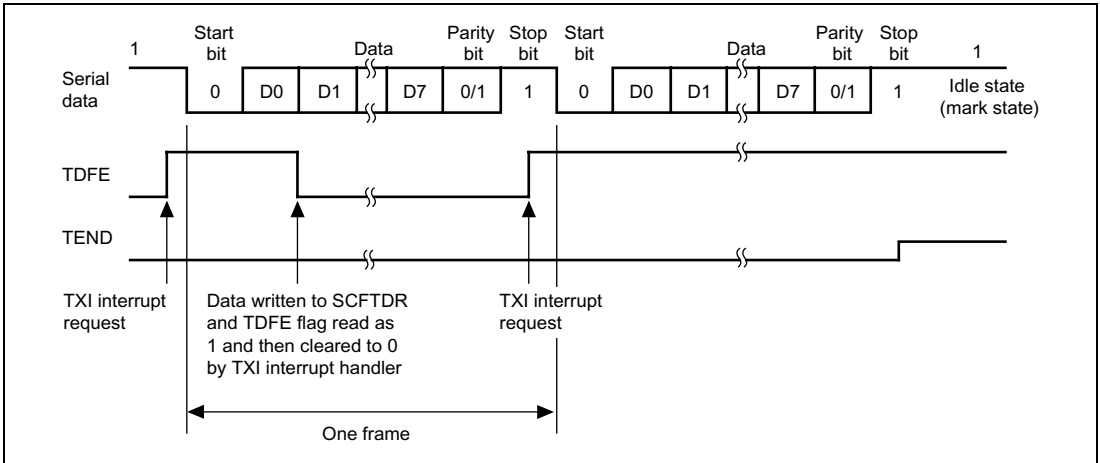
2. When data is transferred from SCFTDR to SCTSR and transmission is started, consecutive transmit operations are performed until there is no transmit data left in SCFTDR. When the number of transmit data bytes in SCFTDR falls to or below the transmit trigger number set in the FIFO control register (SCFCR), the TDFE flag is set. If the TIE bit in SCSSR is set to 1 at this time, a transmit-FIFO-data-empty interrupt (TXI) request is generated.

When the transmit data stop function is used and the number of data bytes set in the transmit data stop register (SCTDSR) is matched, transmit operation is stopped, and the TSF flag in the serial status register (SCSSR) is set. If the TSIE bit in the serial control register (SCSCR) is set to 1, a transmit-data-stop-interrupt (TDI) request is generated. The vectors of transmit-FIFO-data-empty and transmit-data-stop interrupts are the same.

The serial transmit data is sent from the TxD pin in the following order.

- a. Start bit: One 0-bit is output.
  - b. Transmit data: 8-bit or 7-bit data is output in LSB-first order.
  - c. Parity bit: One parity bit (even or odd parity) is output.
  - d. A format in which a parity bit is not output can also be selected.
  - e. Stop bit(s): One or two 1-bits (stop bits) are output.
  - f. Mark state: 1 is output continuously until the start bit that starts the next transmission is sent.
3. The SCIF checks the SCFTDR transmit data at the timing for sending the stop bit. If data is present, the data is transferred from SCFTDR to SCTSR, the stop bit is sent, and then serial transmission of the next frame is started.  
If there is no transmit data, the TEND flag in SCSSR is set to 1, the stop bit is sent, and then the line goes to the mark state in which 1 is output.

Figure 16.4 shows an example of the operation for transmission in asynchronous mode.

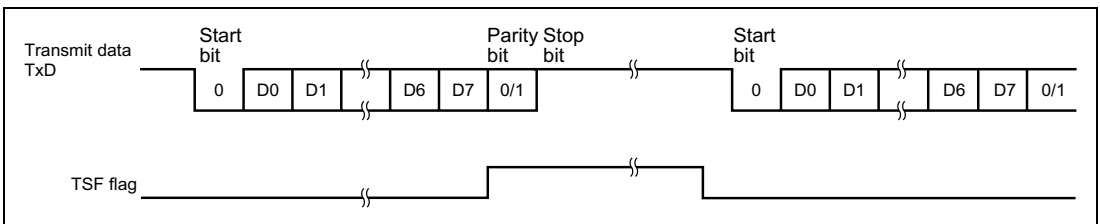


**Figure 16.4 Example of Transmit Operation  
(Example with 8-Bit Data, Parity, One Stop Bit)**

- Transmit Data Stop Function

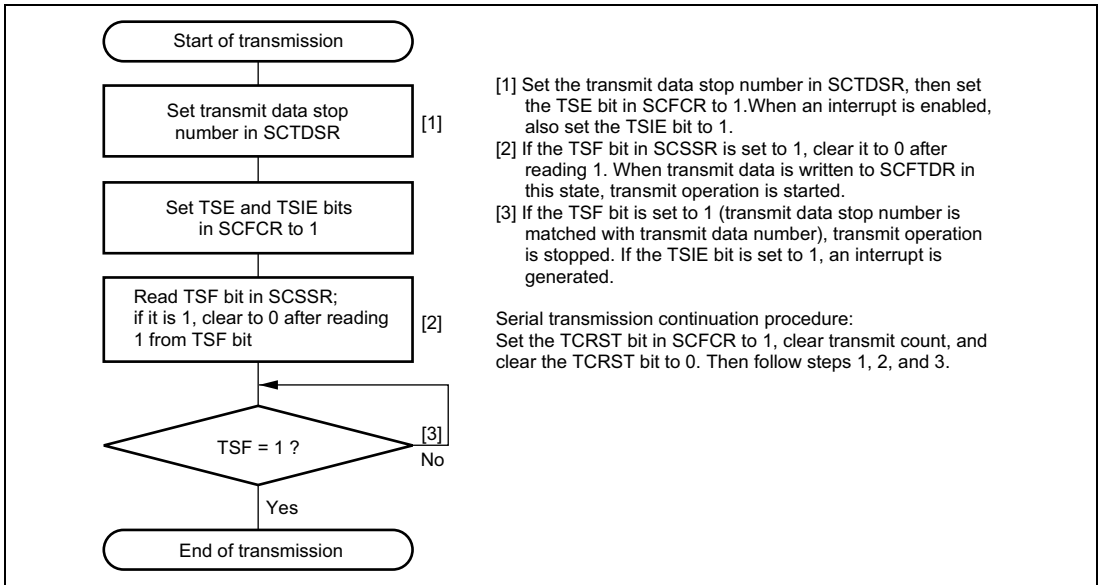
When a value in the SCTDSR register is matched with the number of transmit data bytes, this function stops the transmit operation. Interrupts can be generated and the DMAC can be activated by setting the TSIE bit (interrupt enable bit).

Figure 16.5 shows an example of operation for the transmit data stop function.



**Figure 16.5 Example of Transmit Data Stop Function**

Figure 16.6 shows a flowchart for the transmit data stop function.



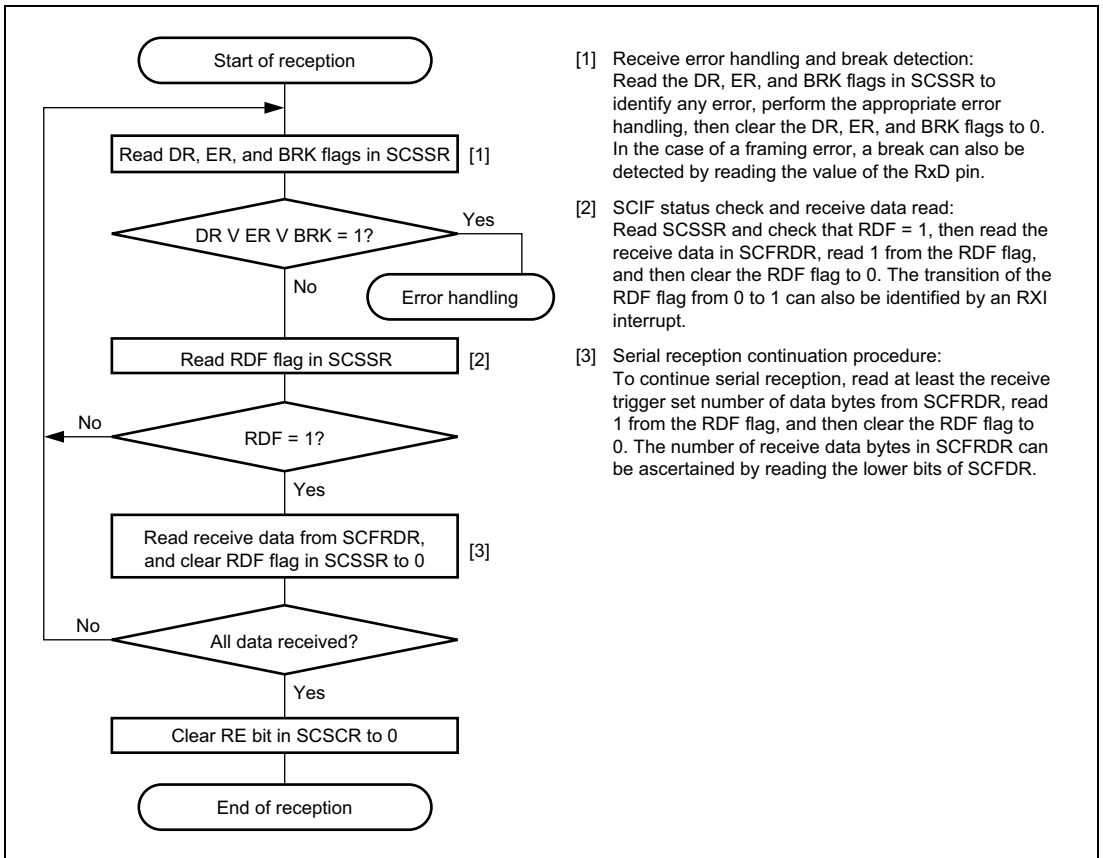
**Figure 16.6 Transmit Data Stop Function Flowchart**



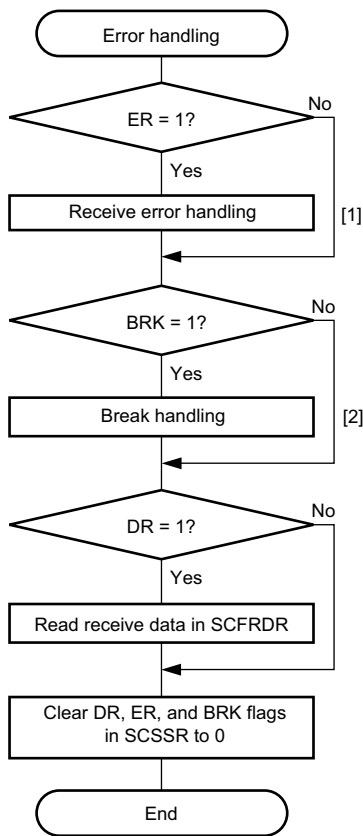
### c. Serial Data Reception

Figures 16.7 and 16.8 show sample flowcharts for serial reception.

Use the following procedure for serial data reception after enabling the SCIF for reception.



**Figure 16.7 Sample Serial Reception Flowchart (1)**



[1] Whether a framing error or parity error has occurred in the receive data read from SCFRDR can be ascertained from the FER and PER bits in SCSSR.

[2] When a break signal is received, receive data is not transferred to SCFRDR while the BRK flag is set. However, note that the last data in SCFRDR is H'00 and the break data in which a framing error occurred is stored.

**Figure 16.8 Sample Serial Reception Flowchart (2)**

In serial reception, the SCIF operates as described below.

1. The SCIF monitors the communication line, and if 0 of a start bit is detected, performs internal synchronization and starts reception.
2. The received data is stored in SCRSR in LSB-to-MSB order.
3. The parity bit and stop bit are received.

After receiving these bits, the SCIF carries out the following checks.

- a. Stop bit check: the SCIF checks whether the stop bit is 1. If there are two stop bits, only the first is checked.
- b. The SCIF checks whether receive data can be transferred from the receive shift register (SCRSR) to SCFRDR.
- c. Break check: the SCIF checks that the BRK flag is 0, indicating that the break state is not set.

If all the above checks are passed, the receive data is stored in SCFRDR.

Note: Reception continues when a receive error (a framing error or parity error) occurs.

4. If the RIE bit in SCSCR is set to 1 when the RDF flag changes to 1, a receive-FIFO-data-full interrupt (RXI) request is generated.

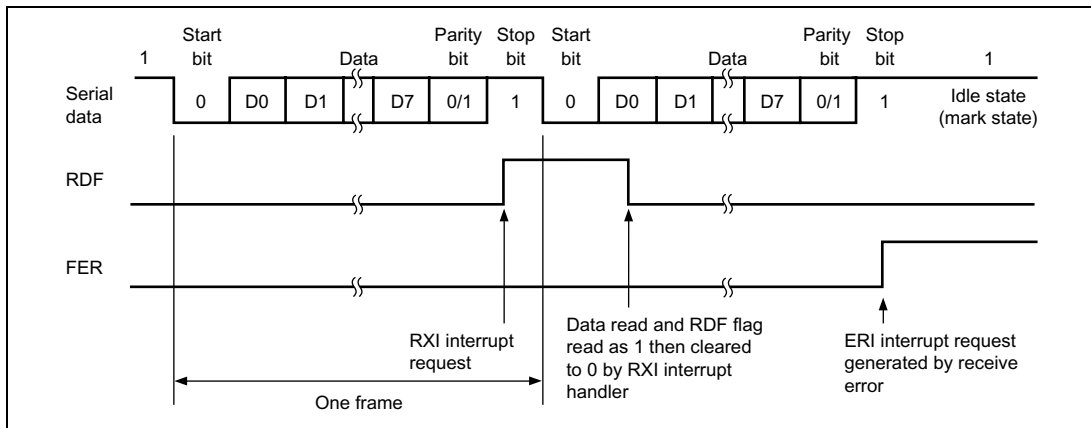
If the ERIE bit in SCSCR is set to 1 when the ER flag changes to 1, a receive-error interrupt (ERI) request is generated.

If the BRIE bit in SCSCR is set to 1 when the BRK flag changes to 1, a break reception interrupt (BRI) request is generated.

If the DRIE bit in SCSCR is set to 1 when the DR flag changes to 1, a receive-data-ready interrupt (DRI) request is generated.

The vectors of receive-FIFO-data-full and receive-data-ready interrupts are the same. The vectors of receive-error and break reception interrupts are the same.

Figure 16.9 shows an example of the operation for reception in asynchronous mode.

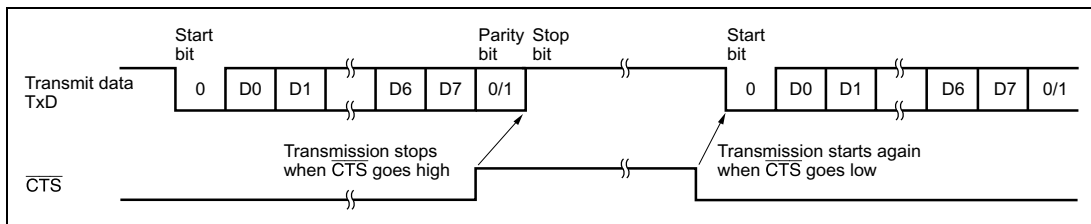


**Figure 16.9 Example of SCIF Receive Operation  
(Example with 8-Bit Data, Parity, One Stop Bit)**

- Modem Function

When using a modem function, transmission can be stopped and started again according to the  $\overline{\text{CTS}}$  input value. When the  $\overline{\text{CTS}}$  is set to 1 during transmission, the data enters a mark state after transmitting one frame. When  $\overline{\text{CTS}}$  is set to 0, the next transmit data is output starting with a start bit.

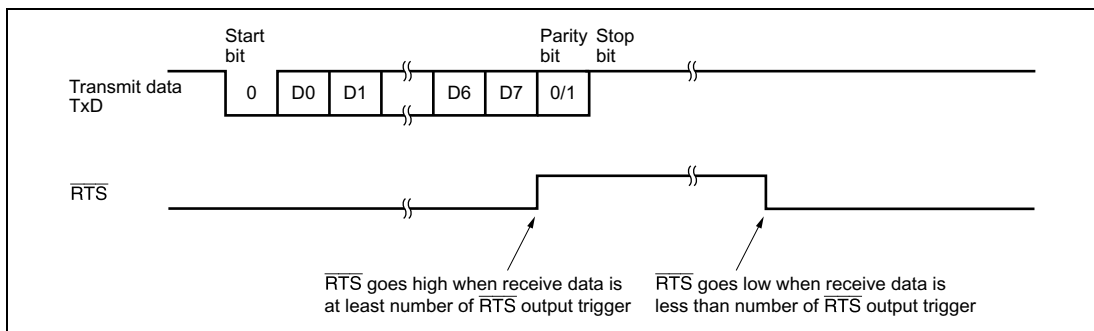
Figure 16.10 shows an example of operation for the  $\overline{\text{CTS}}$  control.



**Figure 16.10  $\overline{\text{CTS}}$  Control Operation**

When using a modem function and the receive FIFO (SCFRDR) is at least the number of the  $\overline{\text{RTS}}$  output trigger, the  $\overline{\text{RTS}}$  signal goes high.

Figure 16.11 shows an example of operation for the  $\overline{\text{RTS}}$  control.



**Figure 16.11  $\overline{\text{RTS}}$  Control Operation**

#### 16.4.4 Clock Synchronous Mode

64-stage FIFO buffers are provided for both transmission and reception, reducing the CPU overhead and enabling fast, continuous communication to be performed.

The operating clock source is selected using the serial mode register (SCSMR). The SCIF clock source is determined by the CKE1 and CKE0 bits in the serial control register (SCSCR).

- Transmit/receive format: Fixed 8-bit data
- Indication of the number of data bytes stored in the transmit and receive FIFO registers
- Internal clock or external clock used as the SCIF clock source

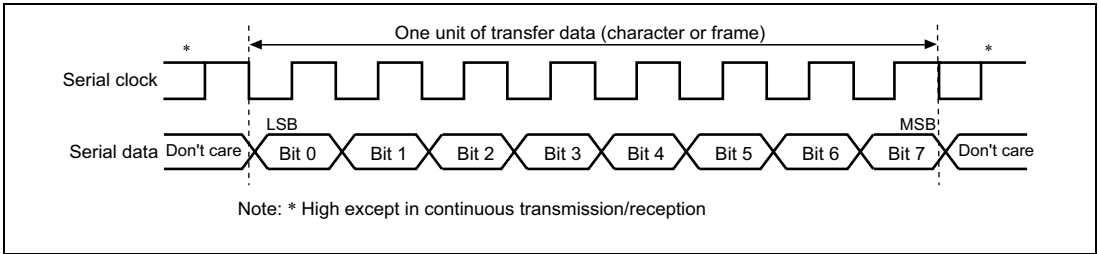
When the internal clock is selected:

The SCIF operates on the baud rate generator clock and outputs a serial clock from SCK pin.

When the external clock is selected:

The SCIF operates on the external clock input through the SCK pin.

## 16.4.5 Serial Operation in Clock Synchronous Mode



**Figure 16.12 Data Format in Clock Synchronous Communication**

In clock synchronous serial communication, data on the communication line is output from a falling edge of the serial clock to the next falling edge. Data is guaranteed valid at the rising edge of the serial clock.

In serial communication, each character is output starting with the LSB and ending with the MSB. After the MSB is output, the communication line remains in the state of the MSB.

In clock synchronous mode, the SCIF receives data in synchronization with the rising edge of the serial clock.

### 1. Data Transfer Format

A fixed 8-bit data format is used. No parity or multiprocessor bits are added.

### 2. Clock

An internal clock generated by the on-chip baud rate generator or an external clock input through the SCK pin can be selected as the serial clock for the SCIF, according to the setting of the CKE1 and CKE0 bits in SCSCR.

Eight serial clock pulses are output in the transfer of one character, and when no transmission/reception is performed, the clock is fixed high. However, when the operation mode is reception only, the synchronous clock output continues while the RE bit is set to 1. To fix the clock high every time one character is transferred, write to the transmit FIFO data register (SCFTDR) the same number of dummy data bytes as the data bytes to be received and set the TE and RE bits to 1 at the same time to transmit the dummy data. When the specified number of data bytes are transmitted, the clock is fixed high.

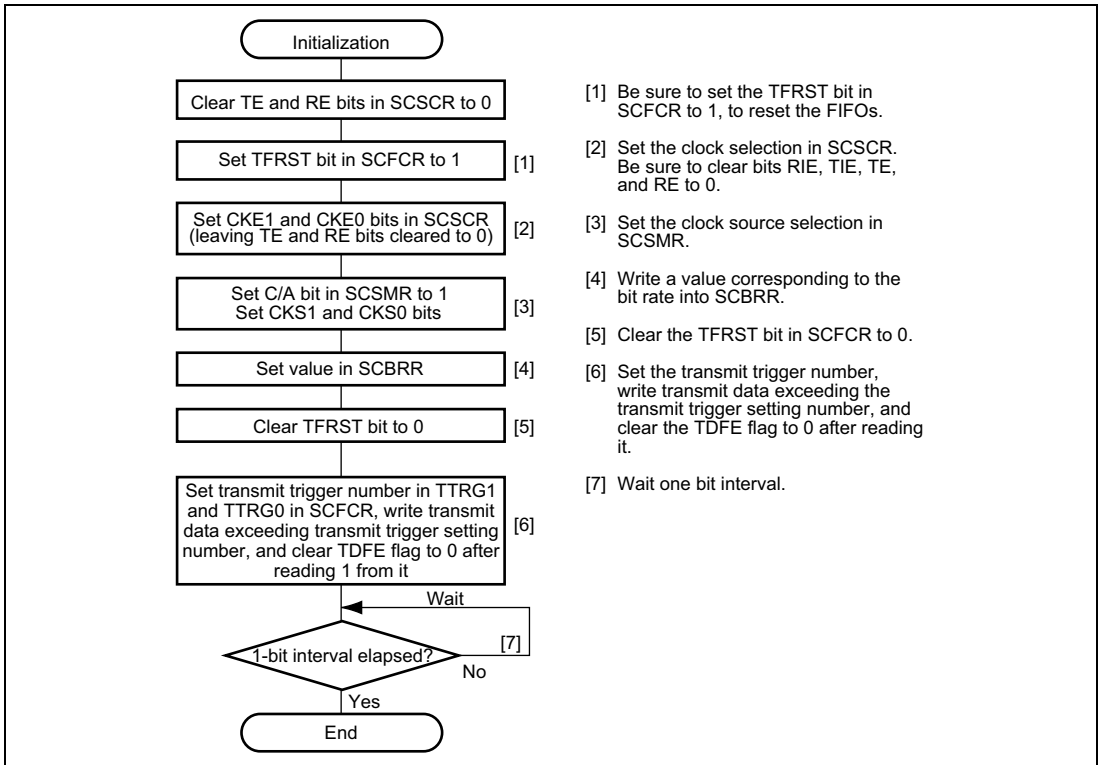
### 3. Data Transfer Operations

#### a. SCIF Initialization:

Before transmitting and receiving data, it is necessary to clear the TE and RE bits in SCSCR to 0, then initialize the SCIF as described below.

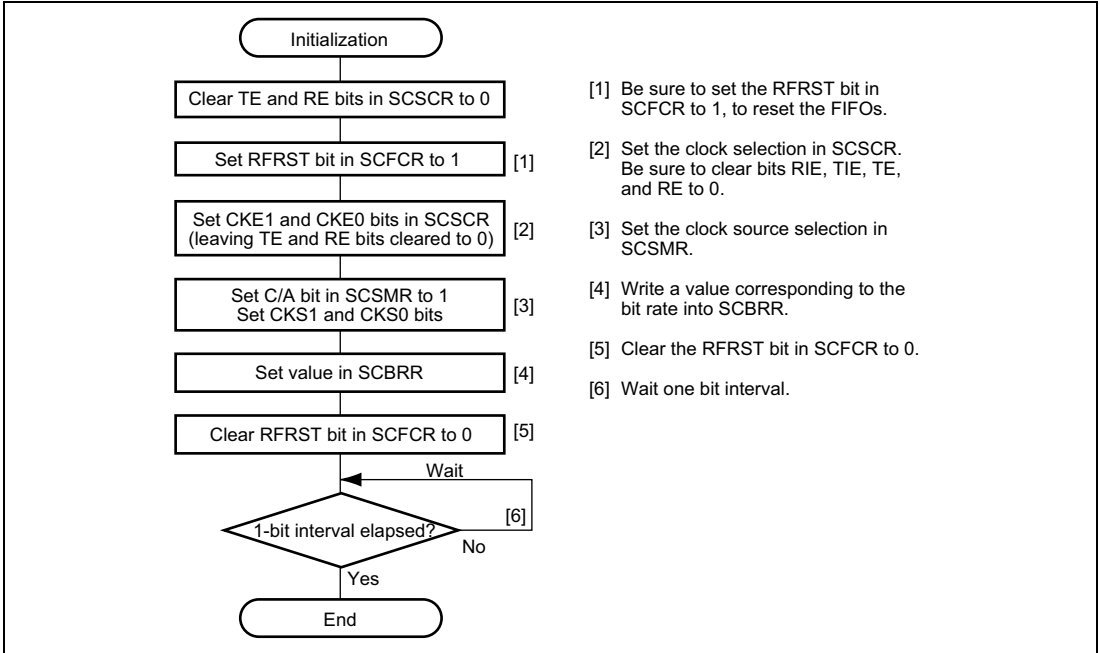
When the clock source, etc., is changed, the TE and RE bits must be cleared to 0 before making the change using the following procedure. When the TE bit is cleared to 0, the transmit shift register (SCTSR) is initialized. Note that clearing the TE and RE bits to 0 does not change the contents of SCSSR, SCFTDR, or SCFRDR. The TE bit should be cleared to 0 after all transmit data has been sent and the TEND bit in SCSSR has been set to 1. The TE bit should not be cleared to 0 during transmission; if attempted, the TxD pin will go to the high-impedance state. Before setting TE to 1 again to start transmission, the TFRST bit in SCFCR should first be set to 1 to reset SCFTDR.

Figure 16.13 shows sample SCIF initialization flowcharts.

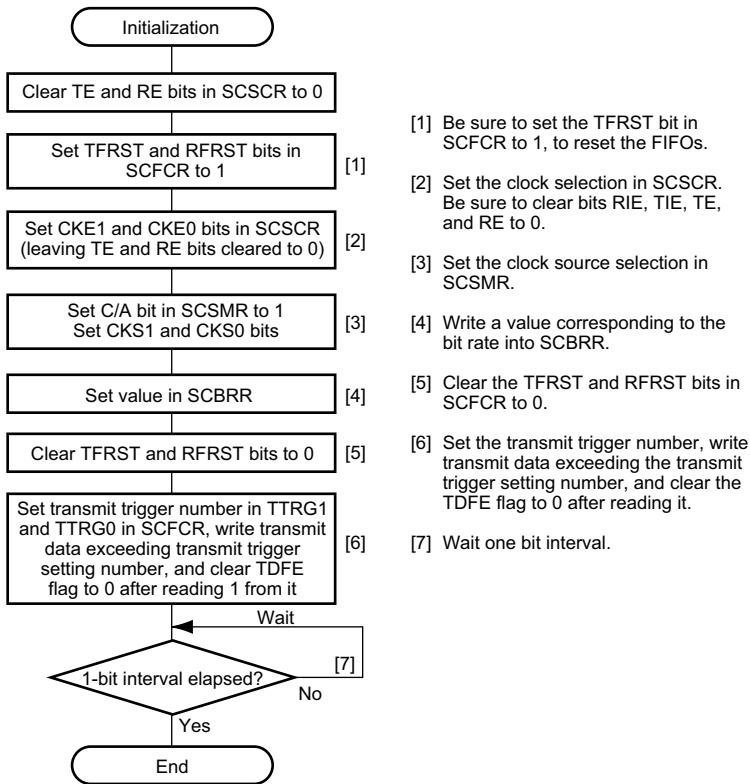


**Figure 16.13 Sample SCIF Initialization Flowchart (1) (Transmission)**





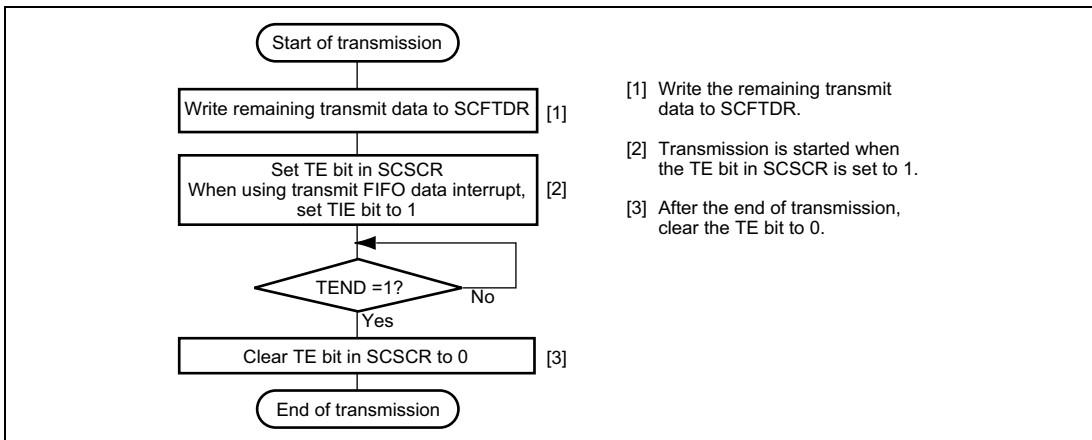
**Figure 16.13 Sample SCIF Initialization Flowchart (2) (Reception)**



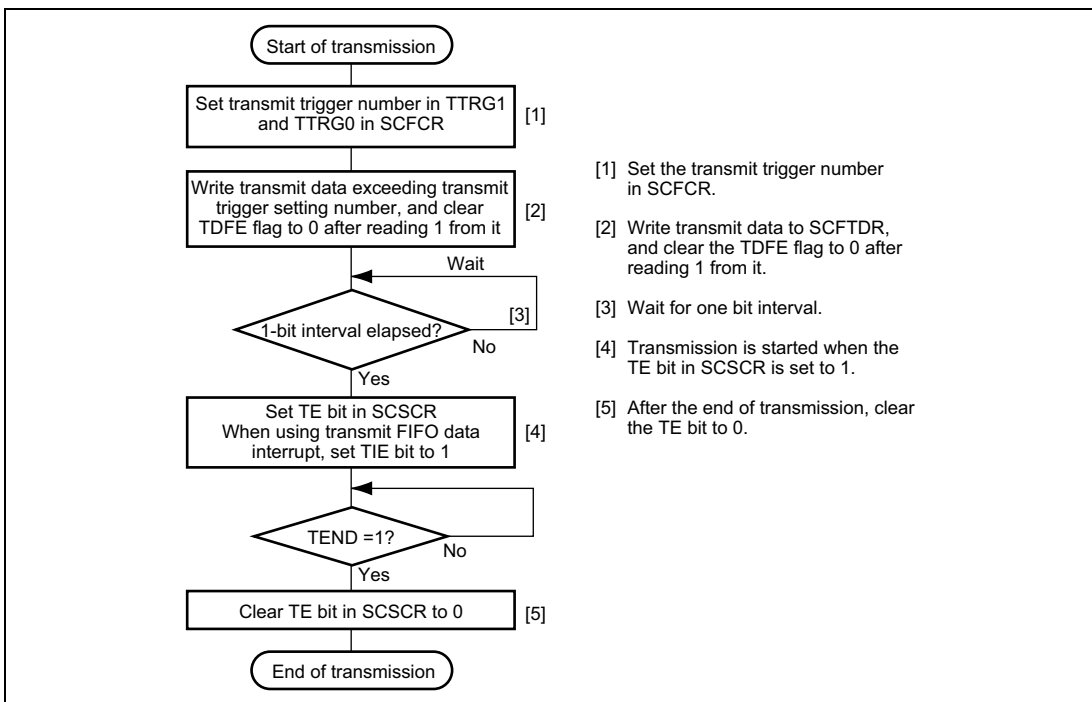
**Figure 16.13 Sample SCIF Initialization Flowchart (3)  
(Simultaneous Transmission and Reception)**

b. Serial Data Transmission:

Figure 16.14 shows sample flowcharts for serial transmission.



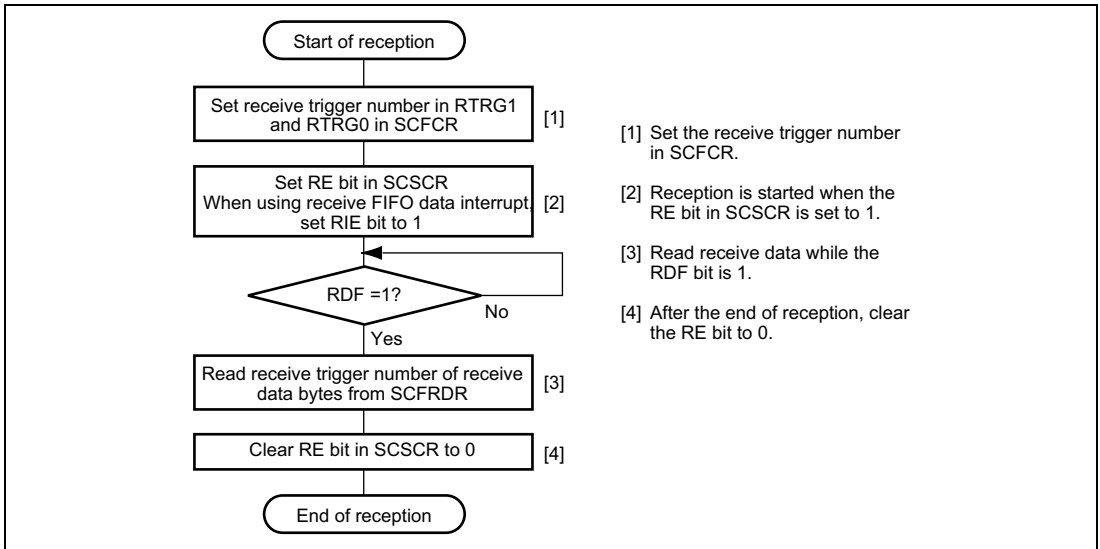
**Figure 16.14 Sample Serial Transmission Flowchart (1)  
(First Transmission after Initialization)**



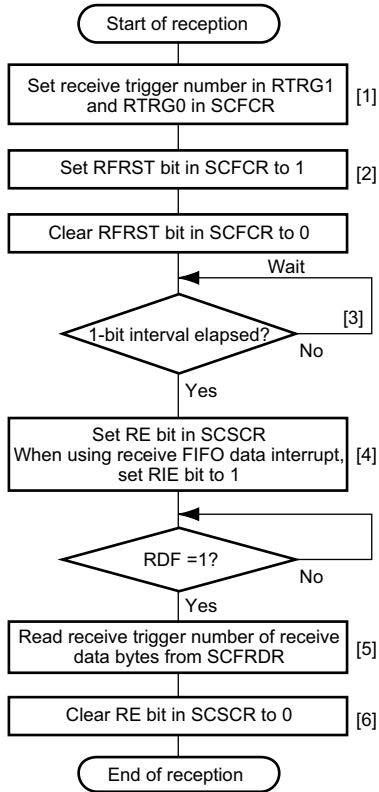
**Figure 16.14 Sample Serial Transmission Flowchart (2)  
(Second and Subsequent Transmission)**

c. Serial Data Reception

Figure 16.15 shows sample flowcharts for serial reception.



**Figure 16.15 Sample Serial Reception Flowchart (1)**  
**(First Reception after Initialization)**

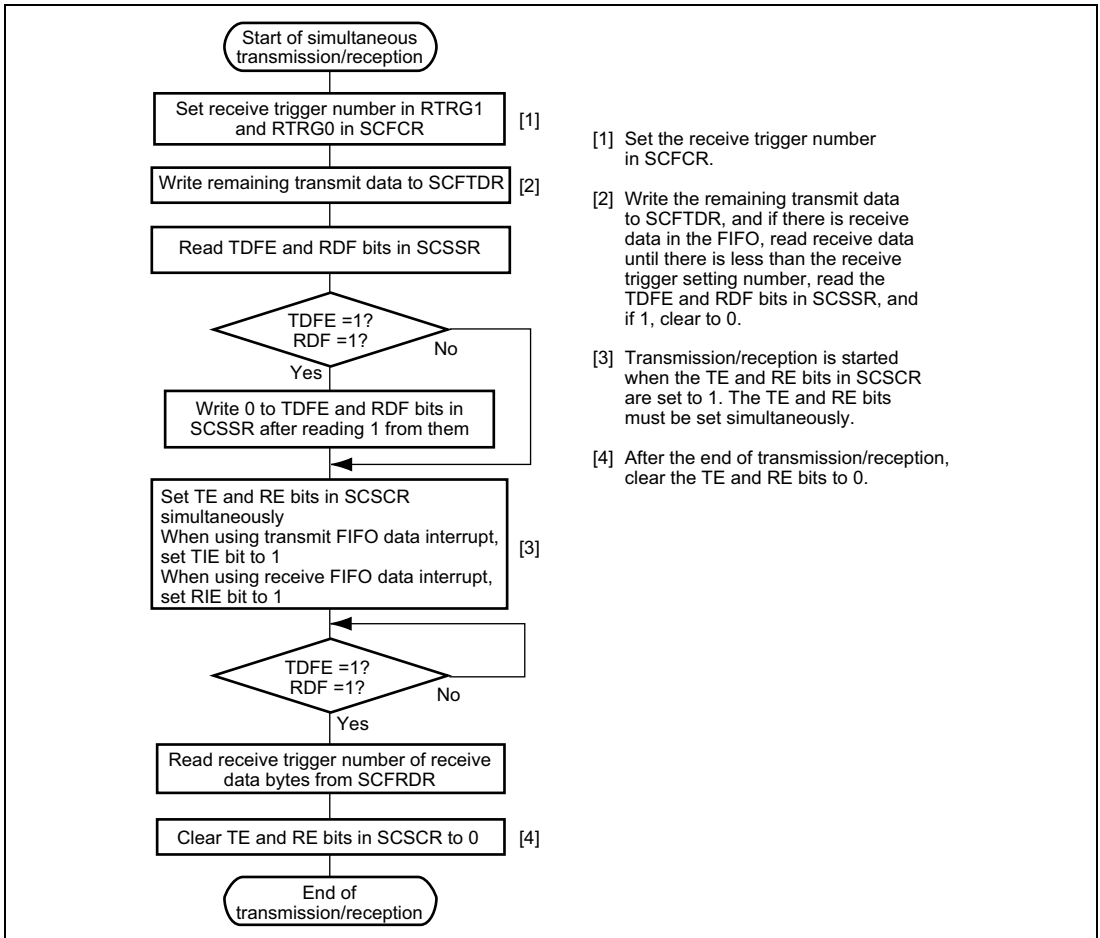


- [1] Set the receive trigger number in SCFCR.
- [2] Reset the receive FIFO.
- [3] Wait for one bit interval.
- [4] Reception is started when the RE bit in SCSCR is set to 1.
- [5] Read receive data while the RDF bit is 1.
- [6] After the end of reception, clear the RE bit to 0.

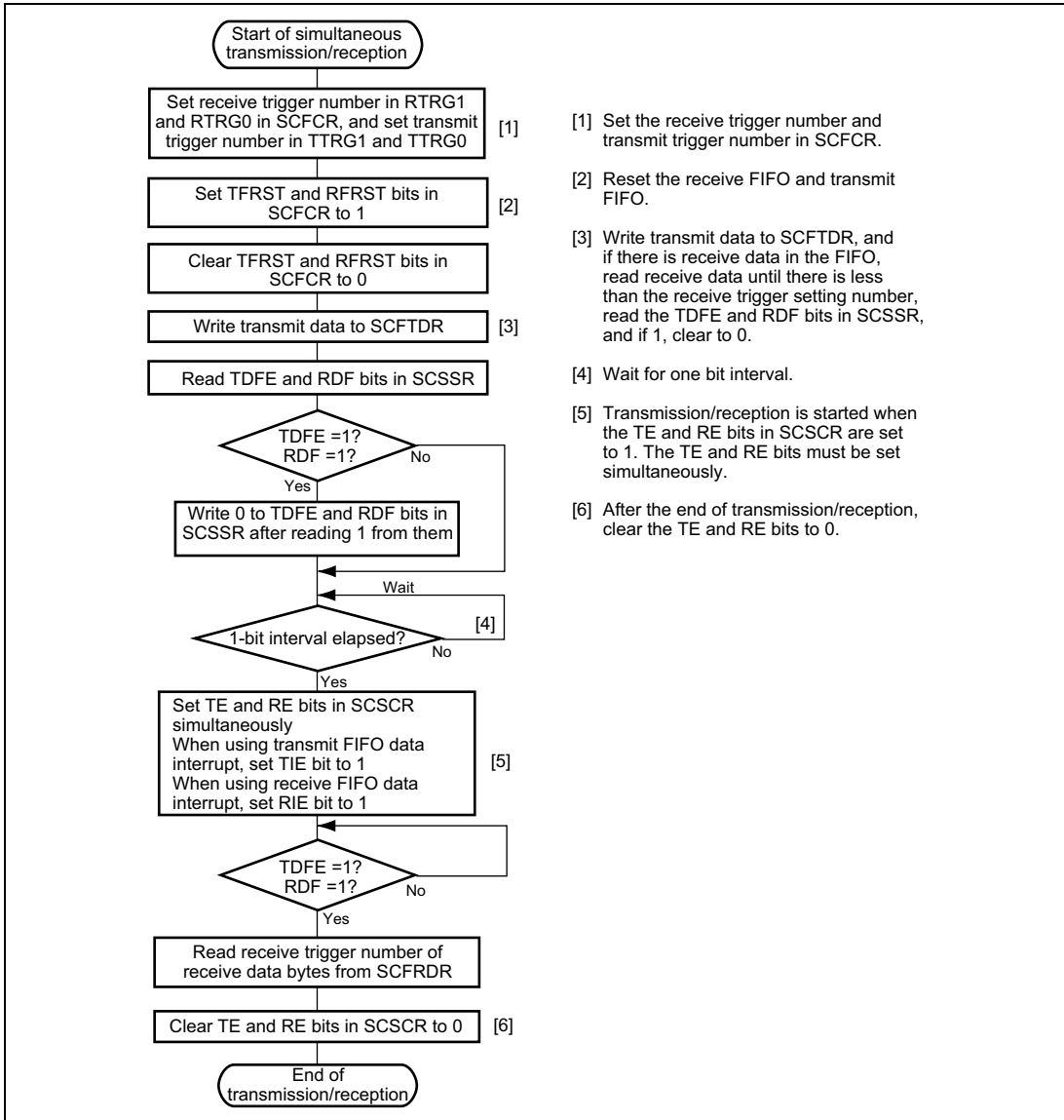
**Figure 16.15 Sample Serial Reception Flowchart (2)  
(Second and Subsequent Reception)**

#### d. Simultaneous Serial Data Transmission and Reception

Figure 16.16 shows sample flowcharts for simultaneous serial transmission and reception.



**Figure 16.16 Sample Simultaneous Serial Transmission and Reception Flowchart (1)  
(First Transfer after Initialization)**



**Figure 16.16 Sample Simultaneous Serial Transmission and Reception Flowchart (2)  
(Second and Subsequent Transfer)**

## 16.5 SCIF Interrupt Sources and DMAC

The SCIF supports six interrupts in asynchronous mode—transmit-FIFO-data-empty (TXI), transmit-data-stop (TDI), receive-error (ERI), receive-FIFO-data-full (RXI), break-receive (BRI), and receive-data-ready (DRI). The vectors of transmit-data-stop and transmit-FIFO-data-empty interrupts are the same. The vectors of receive-error and break-receive interrupts are the same. The vectors of receive-FIFO-data-full and receive-data-ready interrupts are the same.

In clock synchronous mode, the SCIF supports two interrupts—transmit-FIFO-data-empty (TXI) and receive-FIFO-data-full (RXI).

Table 16.4 shows the interrupt sources. The interrupt sources can be enabled or disabled by means of the TIE, RIE, ERIE, BRIE, DRIE, and TSIE bits in SCSCR.

When the TDFE flag in SCSSR is set to 1, a TXI interrupt request is generated. When the TSF flag in SCSSR is set to 1, a TDI interrupt request is generated. The DMAC can be activated and data transfer performed on generation of TXI and TDI interrupt requests. The DMAC requests of TXI and TDI are assigned to the same vector.

When the RDF flag in SCSSR is set to 1, an RXI interrupt request is generated. The DMAC can be activated and data transfer performed on generation of an RXI interrupt request.

When using the DMAC for transmission/reception, set and enable the DMAC before making SCIF settings. See section 8, Direct Memory Access Controller (DMAC), for details of the DMAC setting procedure.

When the ER flag in SCSSR is set to 1, an ERI interrupt request is generated. When the BRK flag in SCSSR is set to 1, a BRI interrupt request is generated. When the DR flag in SCSSR is set to 1, a DRI interrupt request is generated. When the TSF flag in SCSSR is set to 1, a TDI interrupt request is generated.

The vectors of TXI and TDI, ERI and BRI, and RXI and DRI are the same.

The DMAC activation and interrupts cannot be generated simultaneously by the same source. The following procedure should be used for the DMAC activation.

1. Set the interrupt enable bits (TIE and RIE) corresponding to the generated source to 1.
2. Mask the corresponding interrupt requests by using the interrupt mask register of the interrupt controller.



**Table 16.4 SCIF Interrupt Sources**

| <b>Interrupt Source</b> | <b>Description</b>   | <b>DMAC Activation</b> |
|-------------------------|--|------------------------|
| ERI                     | Interrupt initiated by receive error flag (ER) or break flag (BRK)                           | Not possible           |
| RXI                     | Interrupt initiated by receive FIFO data full flag (RDF) or receive data ready (DR)          | Possible <sup>*1</sup> |
| TXI                     | Interrupt initiated by transmit FIFO data empty flag (TDFE) or transmit data stop flag (TSF) | Possible <sup>*2</sup> |

- Notes: 1. The DMAC can be activated only by a receive-FIFO-data-full interrupt request.
2. The DMAC can be activated by a transmit-FIFO-data-empty (TDFE) or transmit-data-stop (TSF) interrupt request. When the DMAC is activated by the TSF interrupt, it is cleared by either of two cases listed below.
- (1) The TSF flag is read by the CPU.
  - (2) The transmit FIFO is full.

See section 5, Exception Handling, for priorities and the relationship with non-SCIF interrupts.

## 16.6 Notes on Usage

Note the following when using the SCIF.

### a. SCFTDR Writing and the TDFE Flag:

The TDFE flag in the serial status register (SCSSR) is set when the number of transmit data bytes written in the transmit FIFO data register (SCFTDR) has fallen to or below the transmit trigger number set by bits TTRG1 and TTRG0 in the FIFO control register (SCFCR). After TDFE is set, transmit data up to the number of empty bytes in SCFTDR can be written, allowing efficient continuous transmission.

However, if the number of data bytes written in SCFTDR is equal to or less than the transmit trigger number, the TDFE flag will be set to 1 again after being read as 1 and cleared to 0. TDFE clearing should therefore be carried out when SCFTDR contains more than the transmit trigger number of transmit data bytes.

The number of transmit data bytes in SCFTDR can be found from the 14 to 8 bits of the FIFO data count register (SCFDR).

### b. SCFRDR Reading and the RDF Flag:

The RDF flag in the serial status register (SCSSR) is set when the number of receive data bytes in the receive FIFO data register (SCFRDR) has become equal to or greater than the receive trigger number set by bits RTRG1 and RTRG0 in the FIFO control register (SCFCR). After RDF is set, receive data equivalent to the trigger number can be read from SCFRDR, allowing efficient continuous reception.

However, if the number of data bytes in SCFRDR is still equal to or greater than the trigger number after a read, the RDF flag will be set to 1 again if it is cleared to 0. RDF should therefore be cleared to 0 after being read as 1 after all receive data has been read.

The number of receive data bytes in SCFRDR can be found from the 6 to 0 bits of the FIFO data count register (SCFDR).

### c. Break Detection and Processing:

Break signals can be detected by reading the RxD pin directly when a framing error (FER) is detected. In the break state the input from the RxD pin consists of all 0s, so the FER flag is set and the parity error flag (PER) may also be set.

Although the SCIF stops transferring receive data to SCFRDR after receiving a break, the receive operation continues.

d. Receive Data Sampling Timing and Receive Margin:

As an example, when the sampling rate is 1/16, the SCIF operates on a base clock with a frequency of 8 times the transfer rate.

In reception, the SCIF synchronizes internally with the fall of the start bit, which it samples on the base clock. Receive data is latched at the rising edge of the fourth base clock pulse.

The receive margin can therefore be expressed as shown in equation (1).

$$M = \left[ \left( 0.5 - \frac{1}{2N} \right) - (L - 0.5)F - \frac{|D - 0.5|}{N}(1 + F) \right] \times 100\% \dots \dots \dots (1)$$

- M: Receive margin (%)
- N: Ratio of clock frequency to bit rate (N = 16)
- D: Clock duty cycle (D = 0 to 1.0)
- L: Frame length (L = 9 to 12)
- F: Absolute deviation of clock frequency

From equation (1), if F = 0 and D = 0.5, the receive margin is 46.875%, as given by equation (2).

When D = 0.5 and F = 0:

$$M = (0.5 - 1/(2 \times 16)) \times 100\% = 46.875\% \dots \dots \dots (2)$$

This is a theoretical value. A reasonable margin to allow in system designs is 20% to 30%.



# Section 17 Infrared Data Association Module (IrDA)

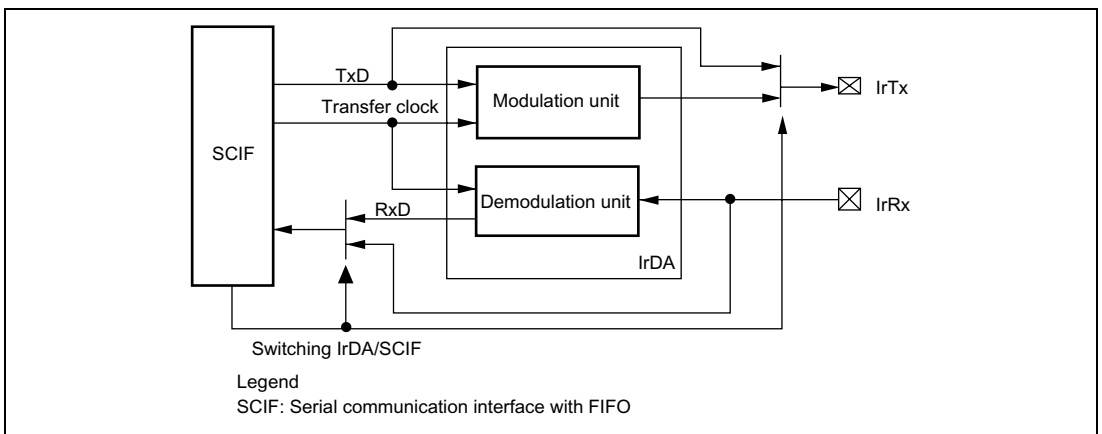
This LSI has an on-chip Infrared Data Association (IrDA) interface that is based on the IrDA 1.0 system and can perform infrared communication.

The IrDA is an optional module used for modulation and demodulation of signals for the SCIF module, and it must always be used together with the SCIF module.

## 17.1 Features

- Conforms to the IrDA 1.0 system
- Asynchronous serial communication
  - Data length: 8 bits
  - Stop bit length: 1 bit
  - Parity bit: None
- On-chip 64-stage FIFO buffers for both transmit and receive operations
- On-chip baud rate generator with selectable bit rates
- Guard functions to protect the receiver during transmission
- Clock supply halted to reduce power consumption when not using the IrDA interface

Figure 17.1 shows a block diagram of the IrDA.



**Figure 17.1 Block Diagram of IrDA**

## 17.2 Input/Output Pins

Table 17.1 shows the IrDA pin configuration.

**Table 17.1 Pin Configuration**

| Pin Name          | Signal Name | I/O    | Function             |
|-------------------|-------------|--------|----------------------|
| Receive data pin  | IrRx        | Input  | Receive data input   |
| Transmit data pin | IrTx        | Output | Transmit data output |

Note: Clock input from the serial clock pin cannot be set in IrDA mode.

## 17.3 Register Description

The IrDA has the following internal registers. For details on register addresses and register states in each processing state, refer to section 24, List of Registers.

- IrDA mode register (SCSMR\_Ir)

### 17.3.1 IrDA Mode Register (SCSMR\_Ir)

SCSMR\_Ir is a 16-bit register that selects IrDA or SCIF mode and selects the IrDA output pulse width.

This module operates as IrDA when the IRMOD bit is set to 1. When the IRMOD bit is cleared to 0, this module can also operate as an SCIF.

| Bit     | Bit Name     | Initial Value | R/W | Description  |
|---------|--------------|---------------|-----|--|
| 15 to 8 | —            | 0             | R   | Reserved<br>These bits are always read as 0. The write value should always be 0.   |
| 7       | IRMOD        | 0             | R/W | IrDA Mode<br>Selects whether this module operates as an IrDA serial communication interface or as an SCIF.<br>0: Operates as an SCIF<br>1: Operates as an IrDA   |
| 6 to 3  | ICK3 to ICK0 | 0             | R/W | Output Pulse Division Ratio<br>Specifies the ratio for dividing the peripheral clock ( $P\phi$ ) to generate the IRCLK clock pulse to be used for IrDA. IRCLK is obtained as follows:<br>$IRCLK = 1/(2N + 2) \times P\phi$<br>$N = \text{Value set by ICK3 to ICK0}$   |
| 2       | PSEL         | 0             | R/W | Output Pulse Width Select<br>PSEL selects an IrDA output pulse width that is 3/16 of the bit length for 115 kbps or 3/16 of the bit length for the selected baud rate.<br>0: Pulse width is 3/16 of the bit length<br>1: Pulse width is 3/16 of 115 kbps bit length for the baud rate selected by ICK3 to ICK0 |
| 1, 0    | —            | 0             | R   | Reserved<br>These bits are always read as 0. The write value should always be 0.   |

Example:

$P\phi$  clock: 14.7456 MHz

IRCLK: 921.6 kHz (fixed)

N: Setting of ICK3 to ICK0 ( $0 \leq N \leq 15$ )

$$N \geq \frac{P\phi}{2 \times IRCLK} \quad 1 \geq 7$$

Accordingly, N is 7.

## 17.4 Operation

The IrDA module can perform infrared communication conforming to IrDA 1.0 by connecting infrared transmit/receive units. The serial communication interface unit includes a buffer in the transmit unit and the receive unit, allowing CPU overhead to be reduced and continuous high-speed communication to be performed.

### 17.4.1 Overview

The IrDA module modifies IrTx/IrRx transmit/receive data waveforms to satisfy the IrDA 1.0 specification for infrared communication.

In the IrDA 1.0 specification, communication is first performed at a speed of 9600 bps, and the communication speed is changed. However, the communication rate cannot be automatically changed in this module, so the communication speed should be confirmed, and the appropriate speed set for this module by software.

### 17.4.2 Transmitting

The waveforms of a serial output signal (UART frame) from the SCIF are modified and the signal is converted into the IR frame serial output signal by the IrDA module, as shown in figure 17.2.

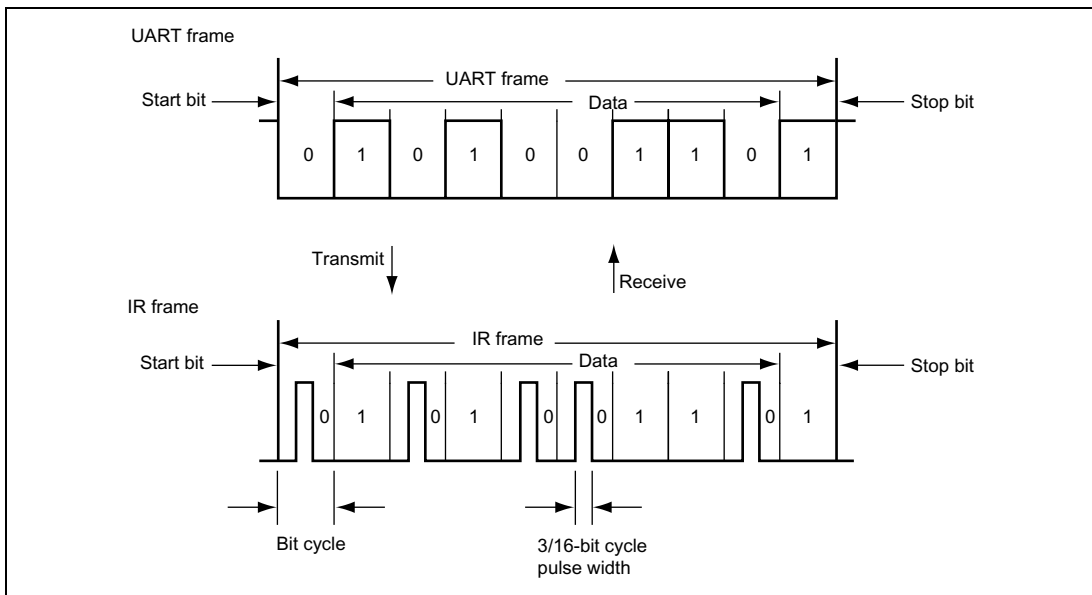
When serial data is 0, a pulse of  $\frac{3}{16}$  the IR frame bit width is generated and output. When serial data is 1, no pulse is output.



### 17.4.3 Receiving

Received 3/16 IR frame bit-width pulses are demodulated and converted to a UART frame, as shown in figure 17.2.

Demodulation to 0 is performed for pulse output, and demodulation to 1 is performed for no pulse output.



**Figure 17.2 Transmit/Receive Operation**

### 17.4.4 Data Format Specification

The data format of UART frames used for IrDA communication must be specified by the SCIF0 registers. The UART frame has eight data bits, no parity bit, and one stop bit.

IrDA communication is performed in asynchronous mode, and this mode must also be specified by the SCIF0 registers. The sampling rate must be set to 1/16.

The internal clock must be selected for the SCIF0 operation clock and the SCK0 pin must be specified for the synchronizing clock output pin.

The IrDA communication rate is the same as the SCIF0 bit rate, which is specified by the SCIF0 registers.

For details on SCIF0 registers, refer to section 16, Serial Communication Interface with FIFO (SCIF).



# Section 18 USB Function Module

This LSI incorporates a USB function module (USB).

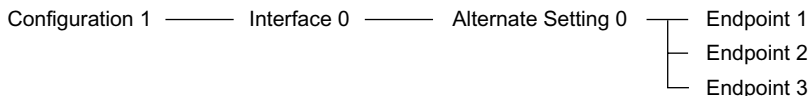
## 18.1 Features

- The UDC (USB device controller) conforming to USB2.0 and transceiver process USB protocol automatically.

Automatic processing of USB standard commands for endpoint 0 (some commands and class/vendor commands require decoding and processing by firmware)

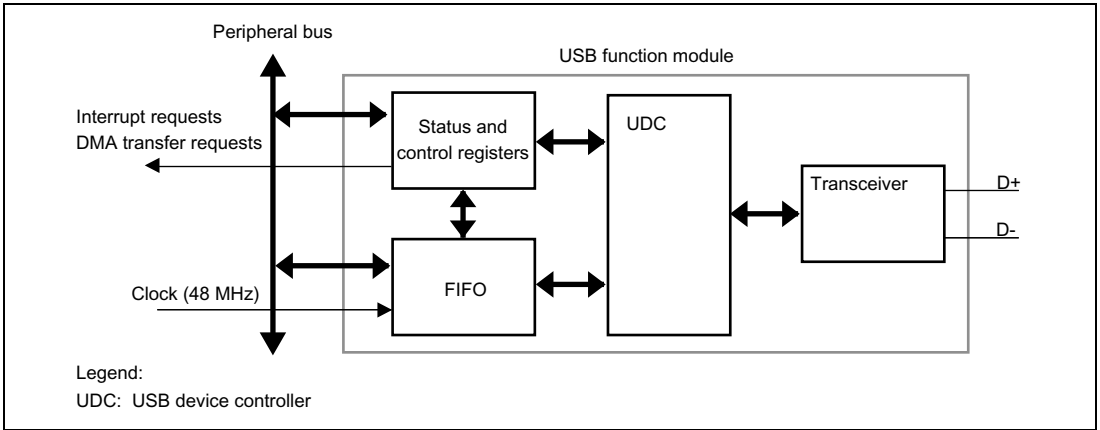
- Transfer speed: Full-speed
- Endpoint configuration:

| Endpoint Name | Abbreviation | Transfer Type | Maximum Packet Size | FIFO Buffer Capacity (Byte) | DMA Transfer |
|---------------|--------------|---------------|---------------------|-----------------------------|--------------|
| Endpoint 0    | EP0s         | Setup         | 8                   | 8                           | —            |
|               | EP0i         | Control-in    | 8                   | 8                           | —            |
|               | EP0o         | Control-out   | 8                   | 8                           | —            |
| Endpoint 1    | EP1          | Bulk-out      | 64                  | 128                         | Possible     |
| Endpoint 2    | EP2          | Bulk-in       | 64                  | 128                         | Possible     |
| Endpoint 3    | EP3          | Interrupt     | 8                   | 8                           | —            |



- Interrupt requests: Generates various interrupt signals necessary for USB transmission/reception
- Clock: External input (48 MHz) (Refer to section 9.4.1, Frequency Control Register (FRQCR), and section 9.4.2, USB Clock Frequency Control Register (UCLKCR))
- Power-down mode  
Power consumption can be reduced by stopping UDC internal clock when USB cable is disconnected  
Automatic transition to/recovery from suspend state
- Can be connected to a Philips PDIUSBP11 Series transceiver or compatible product in internal transceiver bypass mode (the XVEROFF bit in XVERCR is set to 1)  
When using a compatible product, carry out evaluation and investigation with the manufacturer supplying the transceiver beforehand.
- Power mode: Self-powered

Figure 18.1 shows the block diagram of the USB.



**Figure 18.1 Block Diagram of USB**

## 18.2 Input/Output Pins

Table 18.1 shows the USB pin configuration.

**Table 18.1 Pin Configuration**

| <b>Pin Name</b> | <b>I/O</b> | <b>Function</b>  | <b>XVEROFF Condition</b> |
|-----------------|------------|--|--------------------------|
| XVDATA          | Input      | Input pin for receive data from differential receiver                | 1                        |
| DPLS            | Input      | Input pin to driver for D+ signal from receiver                      | 1                        |
| DMNS            | Input      | Input pin to driver for D– signal from receiver                      | 1                        |
| TXDPLS          | Output     | D+ transmit output pin to driver                                     | 1                        |
| TXDMNS          | Output     | D- transmit output pin to driver                                     | 1                        |
| TXENL           | Output     | Driver output enable pin   | 1                        |
| VBUS            | Input      | USB cable connection monitor pin                                     | 1 or 0                   |
| SUSPND          | Output     | Transceiver suspend state output pin                                 | 1                        |
| EXTAL_USB       | Input      | USB clock input pin (external clock input/crystal resonator connect) |                          |
| XTAL_USB        | Output     | USB clock pin (crystal resonator connect)                            |                          |
| D+              | I/O        | USB internal transceiver D+  |                          |
| D-              | I/O        | USB internal transceiver D–  |                          |
| Vcc-USB         | Input      | Power supply for USB   |                          |
| Vss-USB         | Input      | Ground for USB   |                          |

Note: The USB can be connected to a Philips PDIUSBP11 Series transceiver or compatible product in internal transceiver bypass mode (the XVEROFF bit in XVERCR is set to 1). When using a compatible product, carry out evaluation and investigation with the manufacturer supplying the transceiver beforehand.

## 18.3 Register Descriptions

The USB has following registers. For the information on the addresses of these registers and the state of the register in each processing condition, see section 24, List of Registers.

- Interrupt flag register 0 (IFR0)
- Interrupt flag register 1 (IFR1)
- Interrupt select register 0 (ISR0)
- Interrupt select register 1 (ISR1)
- Interrupt enable register 0 (IER0)
- Interrupt enable register 1 (IER1)
- EP0i data register (EPDR0i)
- EP0o data register (EPDR0o)
- EP0s data register (EPDR0s)
- EP1 data register (EPDR1)
- EP2 data register (EPDR2)
- EP3 data register (EPDR3)
- EP0o receive data size register (EPSZ0o)
- EP1 receive data size register (EPSZ1)
- Trigger register (TRG)
- Data status register (DASTS)
- FIFO clear register (FCLR)
- DMA transfer setting register (DMAR)
- Endpoint stall register (EPSTL)
- Transceiver control register (XVERCR)

### 18.3.1 Interrupt Flag Register 0 (IFR0)

IFR0, together with interrupt flag register 1 (IFR1), indicates interrupt status information required by the application. When an interrupt source is generated, the corresponding bit is set to 1 and an interrupt request is sent to the CPU according to the combination with interrupt enable register 0 (IER0). Clearing is performed by writing 0 to the bit to be cleared, and 1 to the other bits. However, EP1FULL and EP2EMPTY are status bits, and cannot be cleared.

| Bit | Bit Name | Initial Value | R/W | Description  |
|-----|----------|---------------|-----|--|
| 7   | BRST     | 0             | R/W | Bus Reset<br>This bit is set to 1 when a bus reset signal is detected on the USB bus.  |
| 6   | EP1FULL  | 0             | R   | EP1 FIFO Full<br>This bit is set when endpoint 1 receives one packet of data successfully from the host, and holds a value of 1 as long as there is valid data in the FIFO buffer.<br>This is a status bit, and cannot be cleared.   |
| 5   | EP2TR    | 0             | R/W | EP2 Transfer Request<br>This bit is set if there is no valid transmit data in the FIFO buffer when an IN token for endpoint 2 is received from the host. A NACK handshake is returned to the host until data is written to the FIFO buffer and packet transmission is enabled. |
| 4   | EP2EMPTY | 1             | R   | EP2 FIFO Empty<br>This bit is set when at least one of the dual endpoint 2 transmit FIFO buffers is ready for transmit data to be written.<br>This is a status bit, and cannot be cleared.   |
| 3   | SETUPTS  | 0             | R/W | Setup Command Receive Complete<br>This bit is set to 1 when endpoint 0 receives successfully a setup command requiring decoding on the application side, and returns an ACK handshake to the host.   |
| 2   | EP0oTS   | 0             | R/W | EP0o Receive Complete<br>This bit is set to 1 when endpoint 0 receives data from the host successfully, stores the data in the FIFO buffer, and returns an ACK handshake to the host.  |

| Bit | Bit Name | Initial Value | R/W | Description   |
|-----|----------|---------------|-----|---|
| 1   | EP0iTR   | 0             | R/W | EP0i Transfer Request<br><br>This bit is set if there is no valid transmit data in the FIFO buffer when an IN token for endpoint 0 is received from the host. A NACK handshake is returned to the host until data is written to the FIFO buffer and packet transmission is enabled. |
| 0   | EP0iTS   | 0             | R/W | EP0i Transmit Complete<br><br>This bit is set when data is transmitted to the host from endpoint 0 and an ACK handshake is returned.  |

### 18.3.2 Interrupt Flag Register 1 (IFR1)

IFR1, together with interrupt flag register 0 (IFR0), indicates interrupt status information required by the application. When an interrupt source is generated, the corresponding bit is set to 1 and an interrupt request is sent to the CPU according to the combination with interrupt enable register 1 (IER1). Clearing is performed by writing 0 to the bit to be cleared, and 1 to the other bits.

| Bit    | Bit Name | Initial Value | R/W | Description  |
|--------|----------|---------------|-----|--|
| 7 to 4 | —        | 0             | R   | Reserved<br><br>These bits are always read as 0. The write value should always be 0.   |
| 3      | VBUSMN   | 0             | R   | This is a status bit which monitors the state of the VBUS pin. This bit reflects the state of the VBUS pin.  |
| 2      | EP3TR    | 0             | R/W | EP3 Transfer Request<br><br>This bit is set if there is no valid transmit data in the FIFO buffer when an IN token for endpoint 3 is received from the host. A NACK handshake is returned to the host until data is written to the FIFO buffer and packet transmission is enabled. |
| 1      | EP3TS    | 0             | R/W | EP3 Transmit Complete<br><br>This bit is set when data is transmitted to the host from endpoint 3 and an ACK handshake is returned.  |
| 0      | VBUS     | 0             | R/W | USB Disconnection Detection<br><br>When the function is connected to the USB bus or disconnected from it, this bit is set to 1. The VBUS pin of this module is used for detecting connection or disconnection.   |



### 18.3.3 Interrupt Select Register 0 (ISR0)

ISR0 selects the vector numbers of the interrupt requests indicated in interrupt flag register 0 (IFR0). If the USB issues an interrupt request to the INTC when a bit in ISR0 is cleared to 0, the interrupt corresponding to the bit will be USI0 (USB interrupt 0). If the USB issues an interrupt request to the INTC when a bit in ISR0 is set to 1, the corresponding interrupt will be USI1 (USB interrupt 1). If interrupts occur simultaneously, USI0 has priority by default.

| Bit | Bit Name | Initial Value | R/W | Description                    |
|-----|----------|---------------|-----|--------------------------------|
| 7   | BRST     | 0             | R/W | Bus Reset                      |
| 6   | EP1FULL  | 0             | R/W | EP1 FIFO Full                  |
| 5   | EP2TR    | 0             | R/W | EP2 Transfer Request           |
| 4   | EP2EMPTY | 0             | R/W | EP2 FIFO Empty                 |
| 3   | SETUPTS  | 0             | R/W | Setup Command Receive Complete |
| 2   | EP0oTS   | 0             | R/W | EP0o Receive Complete          |
| 1   | EP0iTR   | 0             | R/W | EP0i Transfer Request          |
| 0   | EP0iTS   | 0             | R/W | EP0i Transmit Complete         |

### 18.3.4 Interrupt Select Register 1 (ISR1)

ISR1 selects the vector numbers of the interrupt requests indicated in interrupt flag register 1 (IFR1). If the USB issues an interrupt request to the INTC when a bit in ISR1 is cleared to 0, the interrupt corresponding to the bit will be USI0 (USB interrupt 0). If the USB issues an interrupt request to the INTC when a bit in ISR1 is set to 1, the corresponding interrupt will be USI1 (USB interrupt 1). If interrupts occur simultaneously, USI0 has priority by default.

| Bit    | Bit Name | Initial Value | R/W | Description  |
|--------|----------|---------------|-----|--|
| 7 to 3 | —        | 0             | R   | Reserved<br>These bits are always read as 0. The write value should always be 0. |
| 2      | EP3TR    | 1             | R/W | EP3 Transfer Request   |
| 1      | EP3TS    | 1             | R/W | EP3 Transmit Complete  |
| 0      | VBUS     | 1             | R/W | USB Bus Connect  |

### 18.3.5 Interrupt Enable Register 0 (IER0)

IER0 enables the interrupt requests of interrupt flag register 0 (IFR0). When an interrupt flag is set to 1 while the corresponding bit of each interrupt is set to 1, an interrupt request is sent to the CPU. The interrupt vector number is determined by the contents of interrupt select register 0 (ISR0).

| Bit | Bit Name | Initial Value | R/W | Description                    |
|-----|----------|---------------|-----|--------------------------------|
| 7   | BRST     | 0             | R/W | Bus Reset                      |
| 6   | EP1FULL  | 0             | R/W | EP1 FIFO Full                  |
| 5   | EP2TR    | 0             | R/W | EP2 Transfer Request           |
| 4   | EP2EMPTY | 1             | R/W | EP2 FIFO Empty                 |
| 3   | SETUPTS  | 0             | R/W | Setup Command Receive Complete |
| 2   | EP0oTS   | 0             | R/W | EP0o Receive Complete          |
| 1   | EP0iTR   | 0             | R/W | EP0i Transfer Request          |
| 0   | EP0iTS   | 0             | R/W | EP0i Transmit Complete         |

### 18.3.6 Interrupt Enable Register 1 (IER1)

IER1 enables the interrupt requests of interrupt flag register 1 (IFR1). When an interrupt flag is set to 1 while the corresponding bit of each interrupt is set to 1, an interrupt request is sent to the CPU. The interrupt vector number is determined by the contents of interrupt select register 1 (ISR1).

| Bit    | Bit Name | Initial Value | R/W | Description  |
|--------|----------|---------------|-----|--|
| 7 to 3 | —        | 0             | R   | Reserved<br>These bits are always read as 0. The write value should always be 0. |
| 2      | EP3TR    | 0             | R/W | EP3 Transfer Request   |
| 1      | EP3TS    | 0             | R/W | EP3 Transmit Complete  |
| 0      | VBUS     | 0             | R/W | USB Bus Connect  |

### 18.3.7 EP0i Data Register (EPDR0i)

EPDR0i is an 8-byte transmit FIFO buffer for endpoint 0. EPDR0i holds one packet of transmit data for control-in. Transmit data is fixed by writing one packet of data and setting EP0iPKTE in the trigger register. When an ACK handshake is returned from the host after the data has been transmitted, EP0iTS in interrupt flag register 0 is set. This FIFO buffer can be initialized by means of EP0iCLR in the FCLR register.

| Bit    | Bit Name | Initial Value | R/W | Description                           |
|--------|----------|---------------|-----|---------------------------------------|
| 7 to 0 | D7 to D0 | Undefined     | W   | Data register for control-in transfer |

### 18.3.8 EP0o Data Register (EPDR0o)

EPDR0o is an 8-byte receive FIFO buffer for endpoint 0. EPDR0o holds endpoint 0 receive data other than setup commands. When data is received successfully, EP0oTS in interrupt flag register 0 is set, and the number of receive bytes is indicated in the EP0o receive data size register. After the data has been read, setting EP0oRDFN in the trigger register enables the next packet to be received. This FIFO buffer can be initialized by means of BP0oCLR in the FCLR register.

| Bit    | Bit Name | Initial Value | R/W | Description                            |
|--------|----------|---------------|-----|--|
| 7 to 0 | D7 to D0 | Undefined     | R   | Data register for control-out transfer |

### 18.3.9 EP0s Data Register (EPDR0s)

EPDR0s is an 8-byte FIFO buffer specifically for receiving endpoint 0 setup commands. Only the setup command to be processed by the application is received. When command data is received successfully, the SETUPTS bit in interrupt flag register 0 is set.

As a latest setup command must be received in high priority, if data is left in this buffer, it will be overwritten with new data. If reception of the next command is started while the current command is being read, command reception has priority, the read by the application is forcibly stopped, and the read data is invalid.

| Bit    | Bit Name | Initial Value | R/W | Description   |
|--------|----------|---------------|-----|---|
| 7 to 0 | D7 to D0 | Undefined     | R   | Data register for storing the setup command at the control-out transfer |

### 18.3.10 EP1 Data Register (EPDR1)

EPDR1 is a 128-byte receive FIFO buffer for endpoint 1. EPDR1 has a dual-buffer configuration, and has a capacity of twice the maximum packet size. When one packet of data is received successfully, EP1FULL in interrupt flag register 0 is set, and the number of receive bytes is indicated in the EP1 receive data size register. After the data has been read, the buffer that was read is enabled to receive data again by writing 1 to the EP1RDFN bit in the trigger register. The receive data in this FIFO buffer can be transferred by DMA. This FIFO buffer can be initialized by means of EP1CLR in the FCLR register.

| Bit    | Bit Name | Initial Value | R/W | Description                           |
|--------|----------|---------------|-----|---------------------------------------|
| 7 to 0 | D7 to D0 | Undefined     | R   | Data register for endpoint 1 transfer |

### 18.3.11 EP2 Data Register (EPDR2)

EPDR2 is a 128-byte transmit FIFO buffer for endpoint 2. EPDR2 has a dual-buffer configuration, and has a capacity of twice the maximum packet size. When transmit data is written to this FIFO buffer and EP2PKTE in the trigger register is set, one packet of transmit data is fixed, and the dual-FIFO buffer is switched over. The transmit data for this FIFO buffer can be transferred by DMA. This FIFO buffer can be initialized by means of EP2CLR in the FCLR register.

| Bit    | Bit Name | Initial Value | R/W | Description                           |
|--------|----------|---------------|-----|---------------------------------------|
| 7 to 0 | D7 to D0 | Undefined     | W   | Data register for endpoint 2 transfer |

### 18.3.12 EP3 Data Register (EPDR3)

EPDR3 is an 8-byte transmit FIFO buffer for endpoint 3. EPDR3 holds one packet of transmit data for the interrupt transfer of endpoint 3. Transmit data is fixed by writing one packet of data and setting EP3PKTE in the trigger register. When an ACK handshake is returned from the host after one packet of data has been transmitted successfully, EP3TS in interrupt flag register 0 is set. This FIFO buffer can be initialized by means of EP3CLR in the FCLR register.

| Bit    | Bit Name | Initial Value | R/W | Description                           |
|--------|----------|---------------|-----|---------------------------------------|
| 7 to 0 | D7 to D0 | Undefined     | R   | Data register for endpoint 3 transfer |

### 18.3.13 EP0o Receive Data Size Register (EPSZ0o)

EPSZ0o indicates the number of bytes received at endpoint 0 from the host.

| Bit    | Bit Name | Initial Value | R/W | Description                           |
|--------|----------|---------------|-----|---------------------------------------|
| 7 to 0 | —        | 0             | R   | Number of receive data for endpoint 0 |

### 18.3.14 EP1 Receive Data Size Register (EPSZ1)

EPSZ1 is a receive data size register for endpoint 1. EPSZ1 indicates the number of bytes received from the host. The FIFO for endpoint 1 has a dual-buffer configuration. The size of the received data indicated by this register is the size of the currently selected side (can be read by CPU).

| Bit    | Bit Name | Initial Value | R/W | Description                             |
|--------|----------|---------------|-----|---|
| 7 to 0 | —        | 0             | R   | Number of received bytes for endpoint 1 |

### 18.3.15 Trigger Register (TRG)

TRG generates one-shot triggers to control the transfer sequence for each endpoint.

| Bit | Bit Name | Initial Value | R/W | Description   |
|-----|----------|---------------|-----|---|
| 7   | —        | Undefined     | —   | Reserved<br>The write value should always be 0.   |
| 6   | EP3PKTE  | Undefined     | W   | EP3 Packet Enable<br>After one packet of data has been written to the endpoint 3 transmit FIFO buffer, the transmit data is fixed by writing 1 to this bit.   |
| 5   | EP1RDFN  | Undefined     | W   | EP1 Read Complete<br>Write 1 to this bit after one packet of data has been read from the endpoint 1 FIFO buffer. The endpoint 1 receive FIFO buffer has a dual-buffer configuration. Writing 1 to this bit initializes the FIFO that was read, enabling the next packet to be received.                 |
| 4   | EP2PKTE  | Undefined     | W   | EP2 Packet Enable<br>After one packet of data has been written to the endpoint 2 transmit FIFO buffer, the transmit data is fixed by writing 1 to this bit.   |
| 3   | —        | Undefined     | —   | Reserved<br>The write value should always be 0.   |
| 2   | EP0sRDFN | Undefined     | W   | EP0s Read Complete<br>Write 1 to this bit after data for the EP0s command FIFO has been read. Writing 1 to this bit enables transfer of data in the following data stage. A NACK handshake is returned in response to transfer requests from the host in the data stage until 1 is written to this bit. |
| 1   | EP0oRDFN | Undefined     | W   | EP0o Read Complete<br>Writing 1 to this bit after one packet of data has been read from the endpoint 0 transmit FIFO buffer initializes the FIFO buffer, enabling the next packet to be received.   |
| 0   | EP0iPKTE | Undefined     | W   | EP0i Packet Enable<br>After one packet of data has been written to the endpoint 0 transmit FIFO buffer, the transmit data is fixed by writing 1 to this bit.  |

### 18.3.16 Data Status Register (DASTS)

DASTS indicates whether the transmit FIFO buffers contain valid data. A bit is set when data is written to the corresponding FIFO buffer and the packet enable state is set, and cleared when all data has been transmitted to the host.

| Bit    | Bit Name | Initial Value | R/W | Description   |
|--------|----------|---------------|-----|---|
| 7, 6   | —        | 0             | R   | Reserved<br>This bit is always read as 0.   |
| 5      | EP3DE    | 0             | R   | EP3 Data Present<br>This bit is set when the endpoint 3 FIFO buffer contains valid data.  |
| 4      | EP2DE    | 0             | R   | EP2 Data Present<br>This bit is set when the endpoint 2 FIFO buffer contains valid data.  |
| 3 to 1 | —        | 0             | R   | Reserved<br>This bit is always read as 0.   |
| 0      | EP0iDE   | 0             | R   | EP0i Data Present<br>This bit is set when the endpoint 0 FIFO buffer contains valid data. |

### 18.3.17 FIFO Clear Register (FCLR)

FCLR is a register to initialize the FIFO buffers for each endpoint. Writing 1 to a bit clears all the data in the corresponding FIFO buffer. Note that the corresponding interrupt flag is not cleared. Do not clear a FIFO buffer during transfer.

| Bit | Bit Name | Initial Value | R/W | Description  |
|-----|----------|---------------|-----|--|
| 7   | —        | Undefined     | —   | Reserved<br>The write value should always be 0.  |
| 6   | EP3CLR   | Undefined     | W   | EP3 Clear<br>Writing 1 to this bit initializes the endpoint 3 transmit FIFO buffer.              |
| 5   | EP1CLR   | Undefined     | W   | EP1 Clear<br>Writing 1 to this bit initializes both sides of the endpoint 1 receive FIFO buffer. |

| Bit  | Bit Name | Initial Value | R/W | Description   |
|------|----------|---------------|-----|---|
| 4    | EP2CLR   | Undefined     | W   | EP2 Clear<br>Writing 1 to this bit initializes both sides of the endpoint 2 transmit FIFO buffer. |
| 3, 2 | —        | Undefined     | —   | Reserved<br>The write value should always be 0.   |
| 1    | EP0oCLR  | Undefined     | W   | EP0o Clear<br>Writing 1 to this bit initializes the endpoint 0 receive FIFO buffer.               |
| 0    | EP0iCLR  | Undefined     | W   | EP0i Clear<br>Writing 1 to this bit initializes the endpoint 0 transmit FIFO buffer.              |

### 18.3.18 DMA Transfer Setting Register (DMAR)

DMA transfer can be carried out between the endpoint 1 and 2 data registers and memory by means of the on-chip direct memory access controller (DMA). Dual address transfer is performed in bytes. To start DMA transfer, DMAC settings must be made in addition to the settings in this register.

| Bit    | Bit Name | Initial Value | R/W | Description  |
|--------|----------|---------------|-----|--|
| 7 to 2 | —        | 0             | R   | Reserved<br>These bits are always read as 0. The write value should always be 0. |



| Bit | Bit Name | Initial Value | R/W | Description   |
|-----|----------|---------------|-----|---|
| 1   | EP2DMAE  | 0             | R/W | <p>Endpoint 2 DMA Transfer Enable</p> <p>When this bit is set, DMA transfer is enabled from memory to the endpoint 2 transmit FIFO buffer. If there is at least one byte of space in the FIFO buffer, a transfer request is asserted for the DMAC. In DMA transfer, when 64 bytes are written to the FIFO buffer the EP2 packet enable bit is set automatically, allowing 64 bytes of data to be transferred, and if there is still space in the other of the two FIFOs, a transfer request is asserted for the DMAC again. However, if the size of the data packet to be transmitted is less than 64 bytes, the EP2 packet enable bit is not set automatically, and so should be set by the CPU with a DMA transfer end interrupt.</p> <p>As EP2-related interrupt requests to the CPU are not automatically masked, interrupt requests should be masked as necessary in the interrupt enable register.</p> <ul style="list-style-type: none"> <li>• Operating procedure <ol style="list-style-type: none"> <li>1. Write of 1 to the EP2 DMAE bit in DMAR</li> <li>2. Transfer count setting in the DMAC</li> <li>3. DMAC activation</li> <li>4. DMA transfer</li> <li>5. DMA transfer end interrupt generated</li> </ol> </li> </ul> <p>Refer to section 18.7.3, DMA Transfer for Endpoint 2.</p> |

| Bit | Bit Name | Initial Value | R/W | Description   |
|-----|----------|---------------|-----|---|
| 0   | EP1DMAE  | 0             | R/W | <p>Endpoint 1 DMA Transfer Enable</p> <p>When this bit is set, DMA transfer is enabled from the endpoint 1 receive FIFO buffer to memory. If there is at least one byte of receive data in the FIFO buffer, a transfer request is asserted for the DMAC. In DMA transfer, when all the received data is read, EP1 is read automatically and the completion trigger operates.</p> <p>EP1-related interrupt requests to the CPU are not automatically masked.</p> <ul style="list-style-type: none"> <li>• Operating procedure: <ol style="list-style-type: none"> <li>1. Write of 1 to the EP1 DMAE bit in DMAR</li> <li>2. Transfer count setting in the DMAC</li> <li>3. DMAC activation</li> <li>4. DMA transfer</li> <li>5. DMA transfer end interrupt generated</li> </ol> </li> </ul> <p>Refer to section 18.7.2, DMA Transfer for Endpoint 1.</p> |

### 18.3.19 Endpoint Stall Register (EPSTL)

The bits in EPSTL are used to forcibly stall the endpoints on the application side. While a bit is set to 1, the corresponding endpoint returns a stall handshake to the host. The stall bit for endpoint 0 is cleared automatically on reception of 8-byte command data for which decoding is performed by the function and the EP0 STL bit is cleared. When the SETUPTS flag in the IFR0 register is set to 1, writing 1 to the EP0 STL bit is ignored. For detailed operation, see section 18.6, Stall Operations.

| Bit    | Bit Name | Initial Value | R/W | Description  |
|--------|----------|---------------|-----|--|
| 7 to 4 | —        | 0             | R   | Reserved<br>These bits are always read as 0. The write value should always be 0. |
| 3      | EP3STL   | 0             | R/W | EP3 Stall<br>When this bit is set to 1, endpoint 3 is placed in the stall state. |
| 2      | EP2STL   | 0             | R/W | EP2 Stall<br>When this bit is set to 1, endpoint 2 is placed in the stall state. |
| 1      | EP1STL   | 0             | R/W | EP1 Stall<br>When this bit is set to 1, endpoint 1 is placed in the stall state. |
| 0      | EP0STL   | 0             | R/W | EP0 Stall<br>When this bit is set to 1, endpoint 0 is placed in the stall state. |

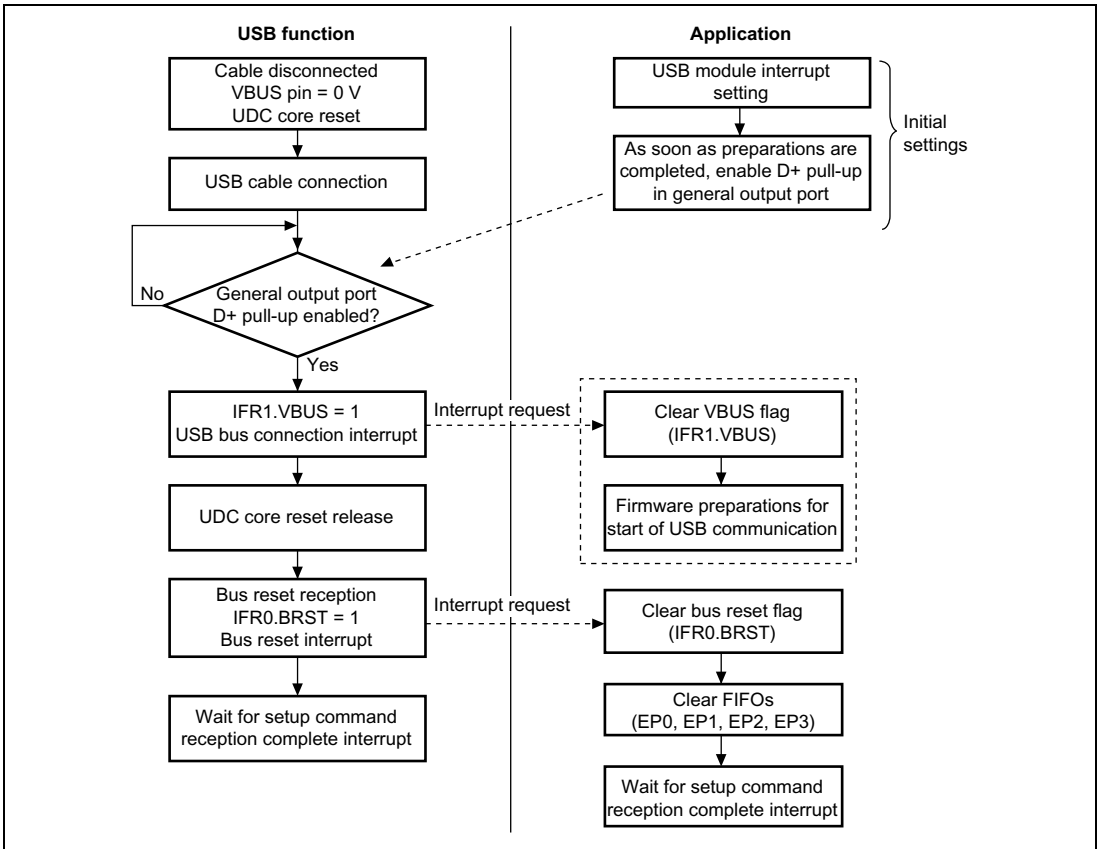
### 18.3.20 Transceiver Control Register (XVERCR)

The Transceiver Control Register sets either the internal transceiver or external transceiver for use.

| Bit    | Bit Name | Initial Value | R/W | Description   |
|--------|----------|---------------|-----|---|
| 7 to 1 | —        | 0             | R   | Reserved<br>These bits are always read as 0. The write value should always be 0.  |
| 0      | XVEROFF  | 0             | R/W | Transceiver Control<br>1: The internal transceiver function is stopped and a digital signal for the external transceiver is output from the port.<br>0: The internal transceiver is operated. |

## 18.4 Operation

### 18.4.1 Cable Connection

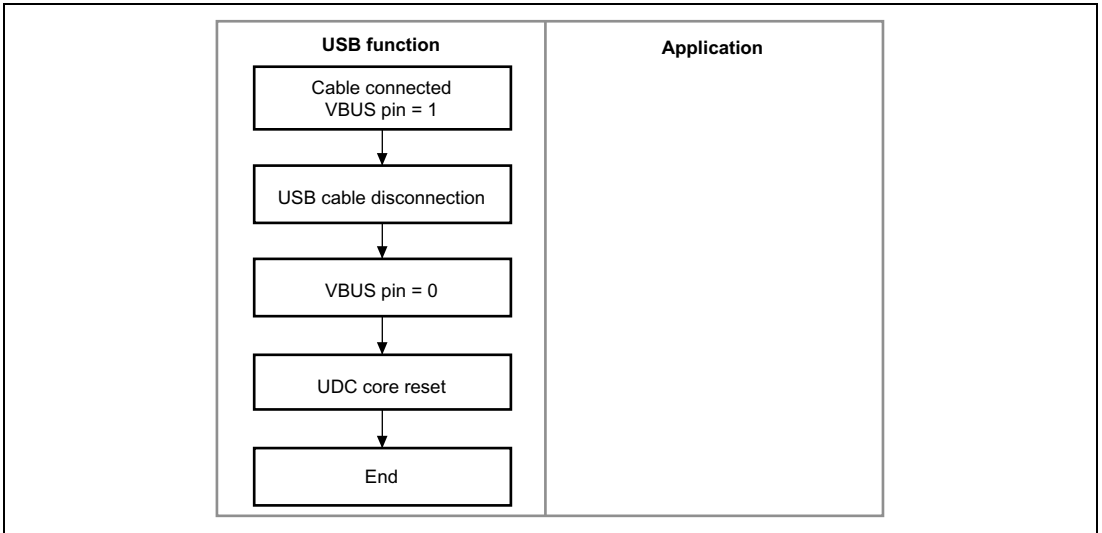


**Figure 18.2 Cable Connection Operation**

The above flowchart shows the operation in the case of in section 18.8, Example of USB External Circuitry.

In applications that do not require USB cable connection to be detected, processing by the USB bus connection interrupt is not necessary. Preparations should be made with the bus-reset interrupt.

## 18.4.2 Cable Disconnection

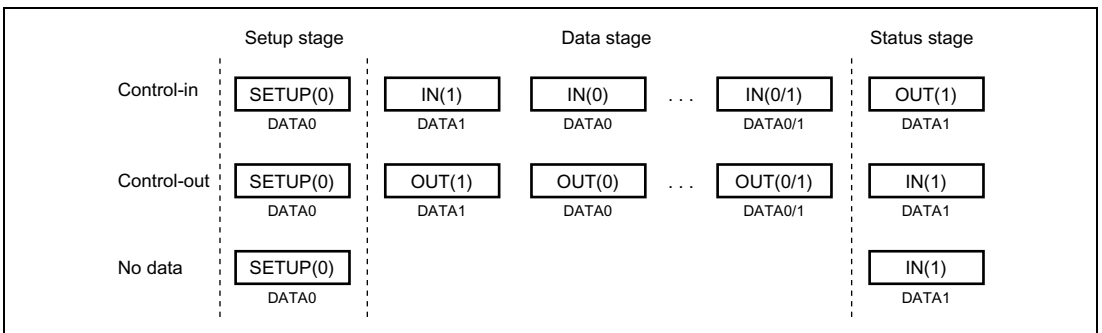


**Figure 18.3 Cable Disconnection Operation**

The above flowchart shows the operation in section 18.8, Example of USB External Circuitry.

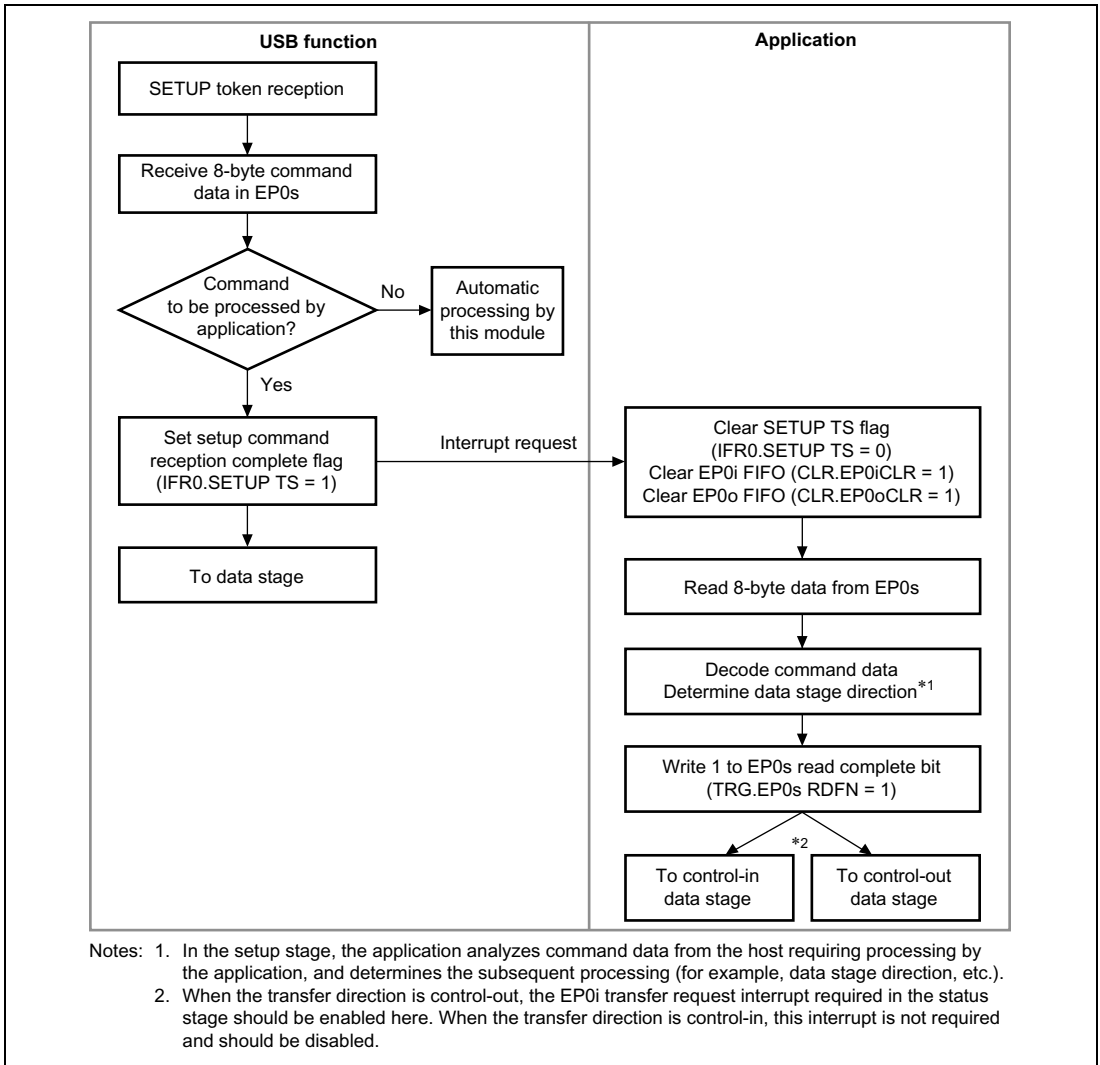
## 18.4.3 Control Transfer

Control transfer consists of three stages: setup, data (not always included), and status (figure 18.4). The data stage comprises a number of bus transactions. Operation flowcharts for each stage are shown below.



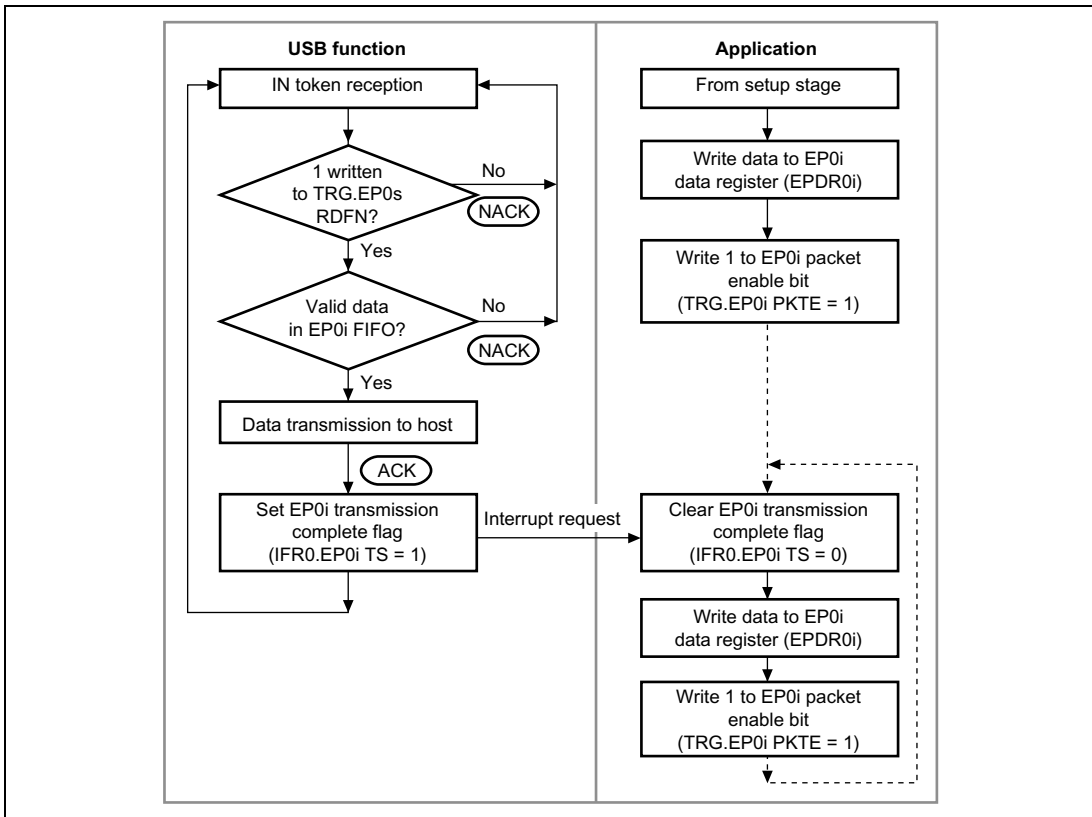
**Figure 18.4 Transfer Stages in Control Transfer**

## 1. Setup Stage



**Figure 18.5 Setup Stage Operation**

## 2. Data Stage (Control-In)



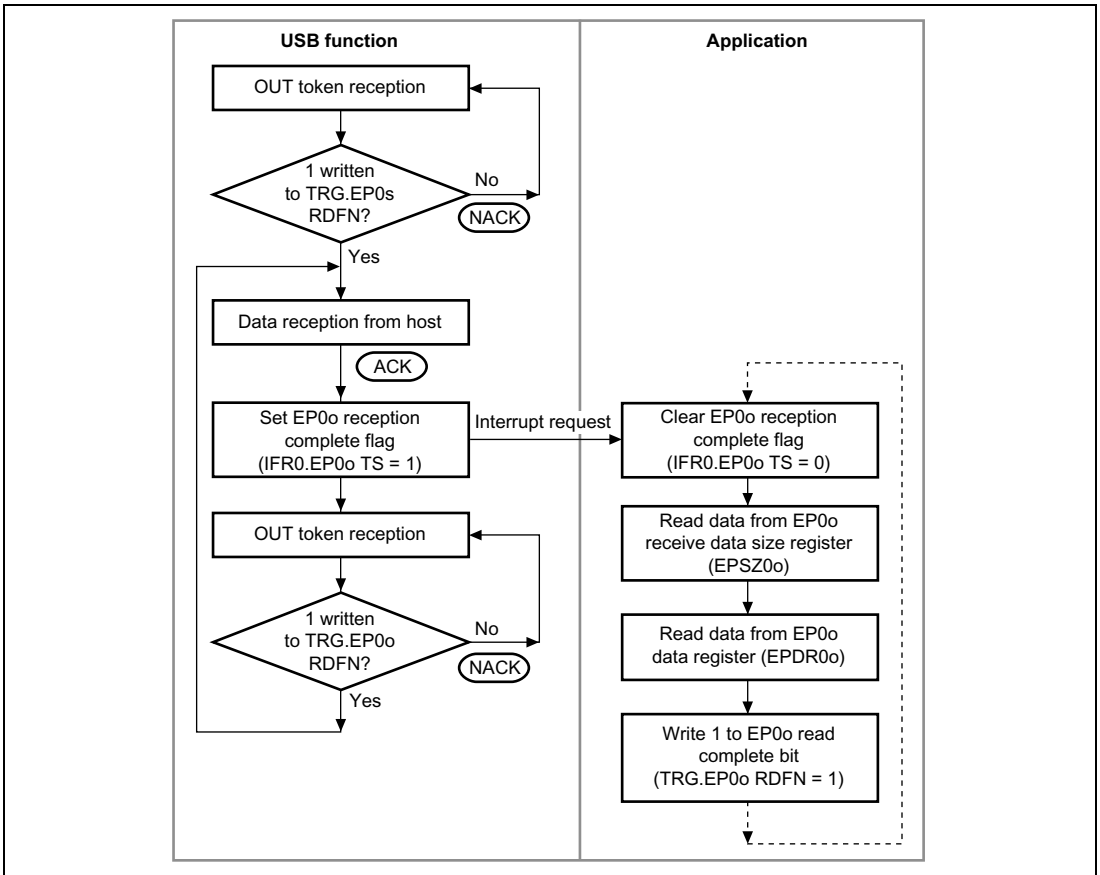
**Figure 18.6 Data Stage (Control-In) Operation**

The application first analyzes command data from the host in the setup stage, and determines the subsequent data stage direction. If the result of command data analysis is that the data stage is in-transfer, one packet of data to be sent to the host is written to the FIFO. If there is more data to be sent, this data is written to the FIFO after the data written first has been sent to the host (EP0iTS bit in IFR0 = 1).

The end of the data stage is identified when the host transmits an OUT token and the status stage is entered.

**Note:** If the size of the data transmitted by the function is smaller than the data size requested by the host, the function indicates the end of the data stage by returning to the host a packet shorter than the maximum packet size. If the size of the data transmitted by the function is an integral multiple of the maximum packet size, the function indicates the end of the data stage by transmitting a zero-length packet.

### 3. Data Stage (Control-Out)



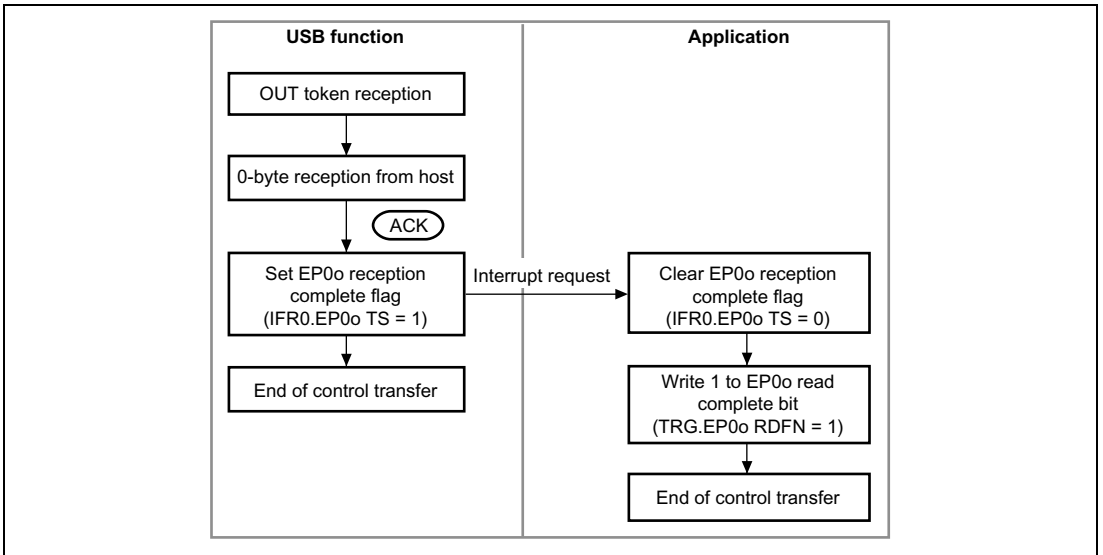
**Figure 18.7 Data Stage (Control-Out) Operation**

The application first analyzes command data from the host in the setup stage, and determines the subsequent data stage direction. If the result of command data analysis is that the data stage is out-transfer, the application waits for data from the host, and after data is received (EP0oTS bit in IFR0 = 1), reads data from the FIFO. Next, the application writes 1 to the EP0o read complete bit, empties the receive FIFO, and waits for reception of the next data.

The end of the data stage is identified when the host transmits an IN token and the status stage is entered.



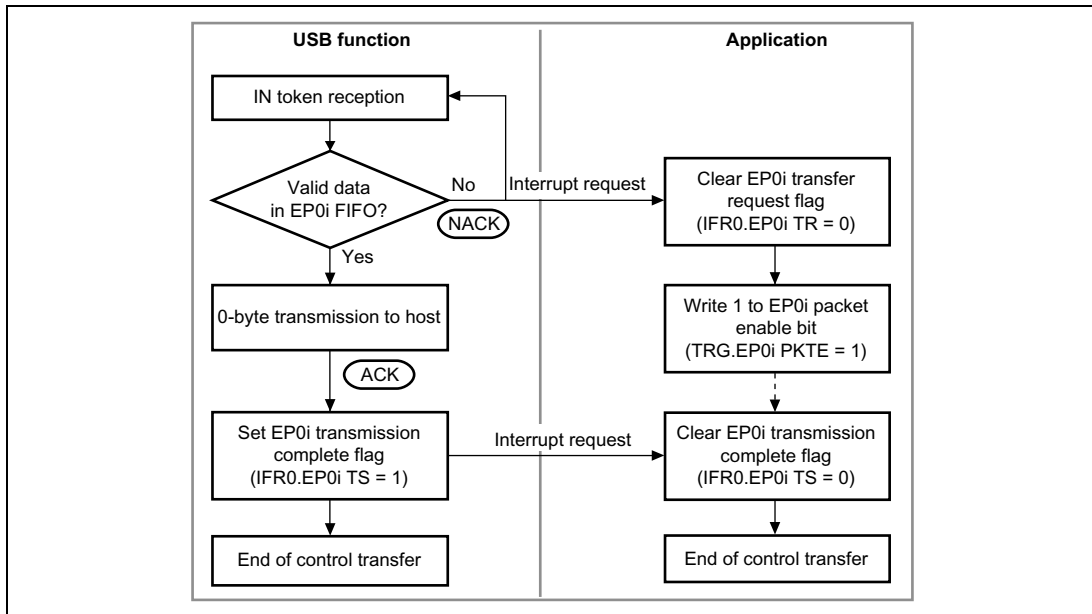
#### 4. Status Stage (Control-In)



**Figure 18.8 Status Stage (Control-In) Operation**

The control-in status stage starts with an OUT token from the host. The application receives 0-byte data from the host, and ends control transfer.

## 5. Status Stage (Control-Out)

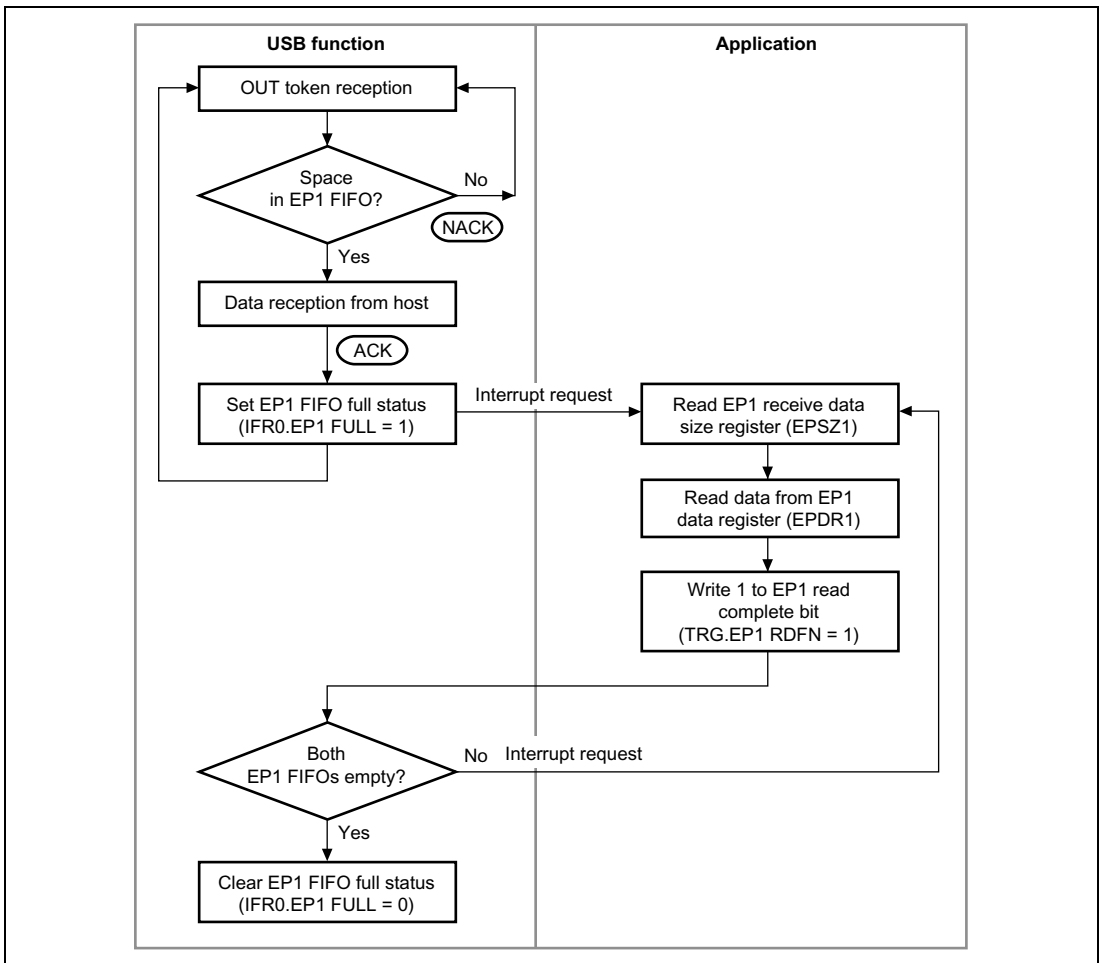


**Figure 18.9 Status Stage (Control-Out) Operation**

The control-out status stage starts with an IN token from the host. When an IN-token is received at the start of the status stage, there is not yet any data in the EP0i FIFO, and so an EP0i transfer request interrupt is generated. The application recognizes from this interrupt that the status stage has started. Next, in order to transmit 0-byte data to the host, 1 is written to the EP0i packet enable bit but no data is written to the EP0i FIFO. As a result, the next IN token causes 0-byte data to be transmitted to the host, and control transfer ends.

After the application has finished all processing relating to the data stage, 1 should be written to the EP0i packet enable bit.

## 18.4.4 EP1 Bulk-Out Transfer (Dual FIFOs)

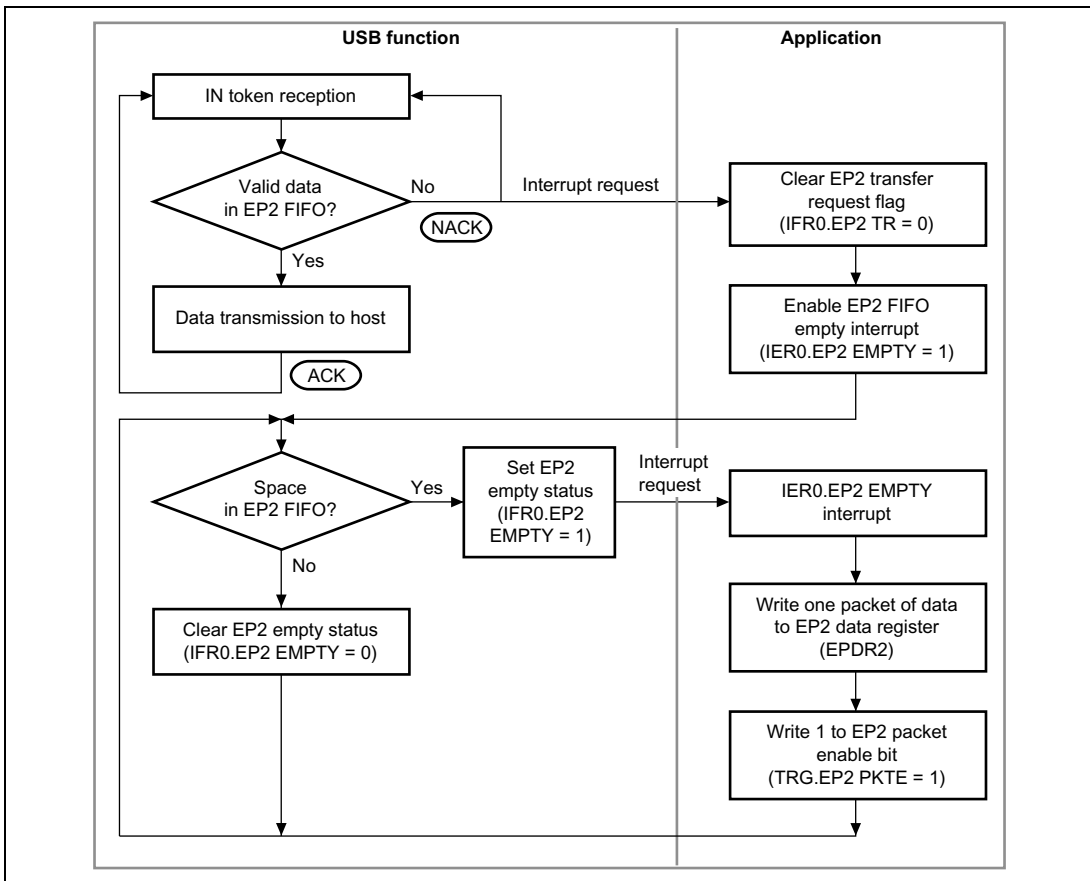


**Figure 18.10 EP1 Bulk-Out Transfer Operation**

EP1 has two 64-byte FIFOs, but the user can receive data and read receive data without being aware of this dual-FIFO configuration.

When one FIFO is full after reception is completed, the EP1FULL bit in IFR0 is set. After the first receive operation into one of the FIFOs when both FIFOs are empty, the other FIFO is empty, and so the next packet can be received immediately. When both FIFOs are full, NACK is returned to the host automatically. When reading of the receive data is completed following data reception, 1 is written to the EP1RDFN bit in TRG. This operation empties the FIFO that has just been read, and makes it ready to receive the next packet.

## 18.4.5 EP2 Bulk-In Transfer (Dual FIFOs)



**Figure 18.11 EP2 Bulk-In Transfer Operation**

EP2 has two 64-byte FIFOs, but the user can transmit data and write transmit data without being aware of this dual-FIFO configuration. However, one data write is performed for one FIFO. For example, even if both FIFOs are empty, it is not possible to perform EP2PKTE at one time after consecutively writing 128 bytes of data. EP2PKTE must be performed for each 64-byte write.

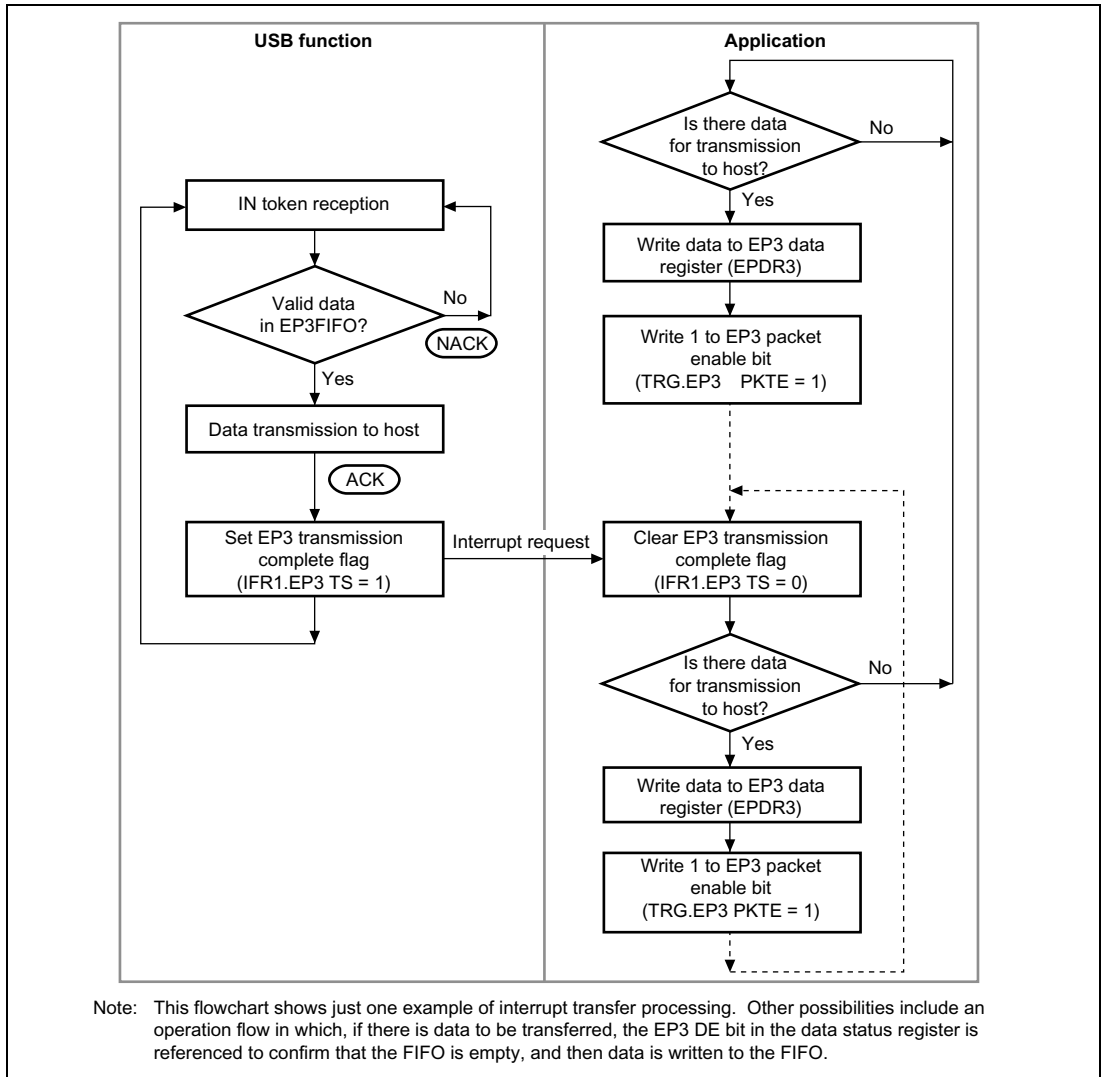
When performing bulk-in transfer, as there is no valid data in the FIFOs on reception of the first IN token, an EP2TR bit interrupt in IFR0 is requested. With this interrupt, 1 is written to the EP2EMPTY bit in IER0, and the EP2 FIFO empty interrupt is enabled. At first, both EP2 FIFOs are empty, and so an EP2 FIFO empty interrupt is generated immediately.

The data to be transmitted is written to the data register using this interrupt. After the first transmit data write for one FIFO, the other FIFO is empty, and so the next transmit data can be written to the other FIFO immediately. When both FIFOs are full, EP2 EMPTY is cleared to 0. If at least one FIFO is empty, the EP2EMPTY bit in IFR0 is set to 1. When ACK is returned from the host after

data transmission is completed, the FIFO used in the data transmission becomes empty. If the other FIFO contains valid transmit data at this time, transmission can be continued.

When transmission of all data has been completed, write 0 to the EP2EMPTY bit in IER0 and disable interrupt requests.

### 18.4.6 EP3 Interrupt-In Transfer



**Figure 18.12 Operation of EP3 Interrupt-In Transfer**

## 18.5 Processing of USB Standard Commands and Class/Vendor Commands

### 18.5.1 Processing of Commands Transmitted by Control Transfer

A command transmitted from the host by control transfer may require decoding and execution of command processing on the application side. Whether command decoding is required on the application side is indicated in table 18.2 below.

**Table 18.2 Command Decoding on Application Side**

| <b>Decoding not Necessary on Application Side</b> | <b>Decoding Necessary on Application Side</b> |
|---|---|
| Clear Feature                                     | Get Descriptor                                |
| Get Configuration                                 | Class/Vendor command                          |
| Get Interface                                     | Set Descriptor                                |
| Get Status  | Sync Frame                                    |
| Set Address                                       |   |
| Set Configuration                                 |   |
| Set Feature                                       |   |
| Set Interface                                     |   |

If decoding is not necessary on the application side, command decoding and data stage and status stage processing are performed automatically. No processing is necessary by the user. An interrupt is not generated in this case.

If decoding is necessary on the application side, this module stores the command in the EP0s FIFO. After reception is completed successfully, the IFR0/SETUP TS flag is set and an interrupt request is generated. In the interrupt routine, eight bytes of data must be read from the EP0s data register (EPDR0s) and decoded by firmware. The necessary data stage and status stage processing should then be carried out according to the result of the decoding operation.

## 18.6 Stall Operations

### 18.6.1 Overview

This section describes stall operations in this module. There are two cases in which the USB function module stall function is used:

- When the application forcibly stalls an endpoint for some reason
- When a stall is performed automatically within the USB function module due to a USB specification violation

The USB function module has internal status bits that hold the status (stall or non-stall) of each endpoint. When a transaction is sent from the host, the module references these internal status bits and determines whether to return a stall to the host. These bits cannot be cleared by the application; they must be cleared with a Clear Feature command from the host.

### 18.6.2 Forcible Stall by Application

The application uses the EPSTL register to issue a stall request for the USB function module. When the application wishes to stall a specific endpoint, it sets the corresponding bit in EPSTL (1-1 in figure 18.13). The internal status bits are not changed at this time. When a transaction is sent from the host for the endpoint for which the EPSTL bit was set, the USB function module references the internal status bit, and if this is not set, references the corresponding bit in EPSTL (1-2 in figure 18.13). If the corresponding bit in EPSTL is set, the USB function module sets the internal status bit and returns a stall handshake to the host (1-3 in figure 18.13). If the corresponding bit in EPSTL is not set, the internal status bit is not changed and the transaction is accepted.

Once an internal status bit is set, it remains set until cleared by a Clear Feature command from the host, without regard to the EPSTL register. Even after a bit is cleared by the Clear Feature command (3-1 in figure 18.13), the USB function module continues to return a stall handshake while the bit in EPSTL is set, since the internal status bit is set each time a transaction is executed for the corresponding endpoint (1-2 in figure 18.13). To clear a stall, therefore, it is necessary for the corresponding bit in EPSTL to be cleared by the application, and also for the internal status bit to be cleared with a Clear Feature command (2-1, 2-2, and 2-3 in figure 18.13).

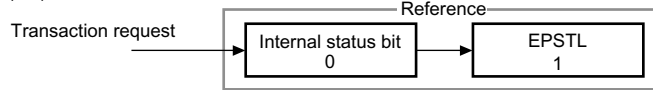
(1) Transition from normal operation to stall

(1-1)



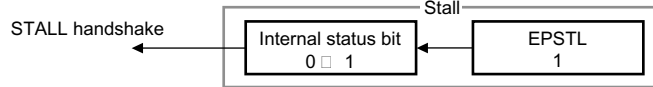
1. 1 written to EPSTL by application

(1-2)



1. IN/OUT token received from host
2. EPSTL referenced

(1-3)

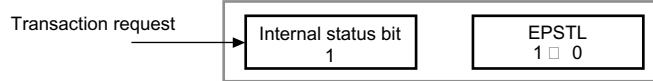


1. 1 set in EPSTL
2. Internal status bit set to 1
3. Transmission of STALL handshake

To (2-1) or (3-1)

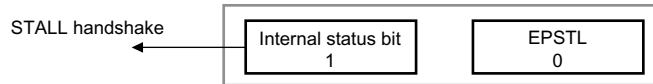
(2) When Clear Feature is sent after EPSTL is cleared

(2-1)



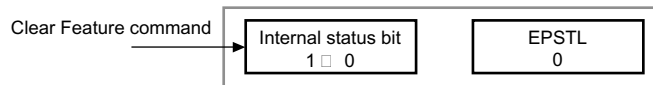
1. EPSTL cleared to 0 by application
2. IN/OUT token received from host
3. Internal status bit already set to 1
4. EPSTL not referenced
5. Internal status bit not changed

(2-2)



1. Transmission of STALL handshake

(2-3)

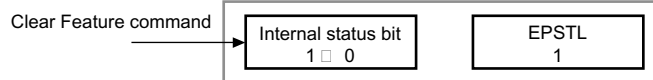


1. Internal status bit cleared to 0

Normal status restored

(3) When Clear Feature is sent before EPSTL is cleared to 0

(3-1)



1. Internal status bit cleared to 0
2. EPSTL not changed

To (1-2)

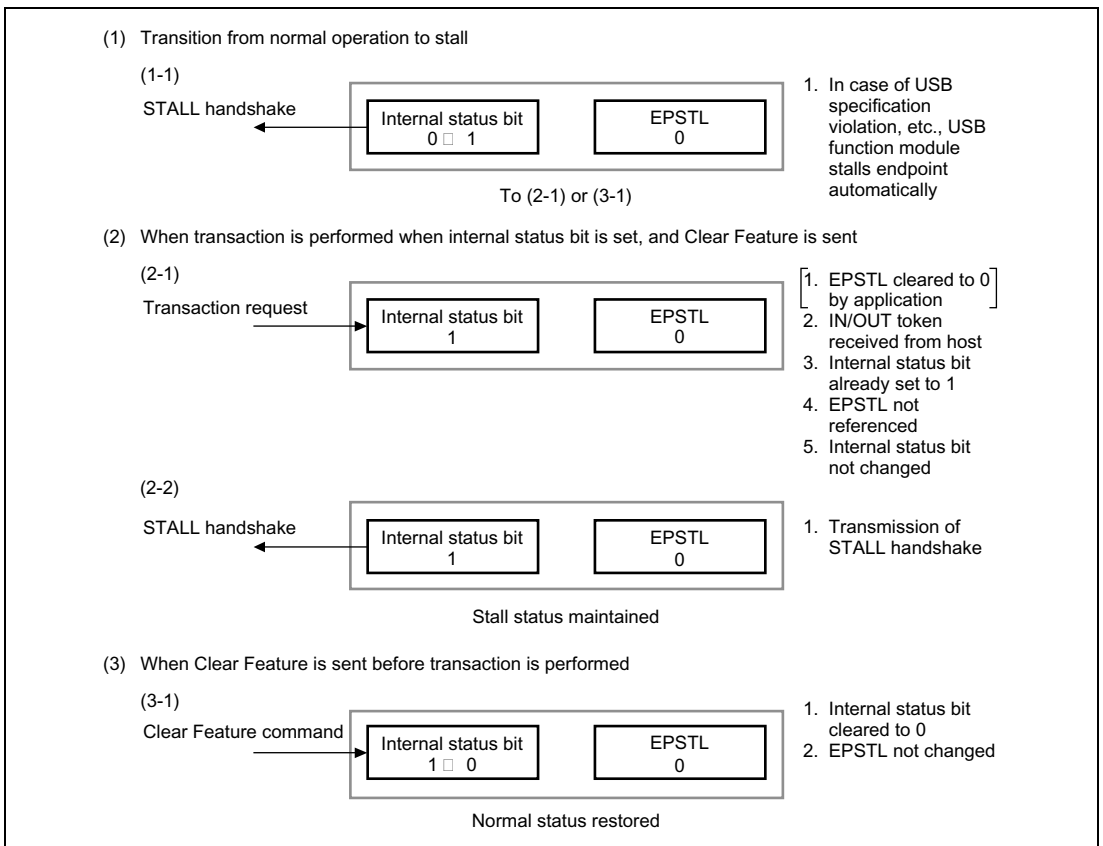
**Figure 18.13 Forcible Stall by Application**



### 18.6.3 Automatic Stall by USB Function Module

When a stall setting is made with the Set Feature command, or in the event of a USB specification violation, the USB function module automatically sets the internal status bit for the relevant endpoint without regard to the EPSTL register, and returns a stall handshake (1-1 in figure 18.14).

Once an internal status bit is set, it remains set until cleared by a Clear Feature command from the host, without regard to the EPSTL register. After a bit is cleared by the Clear Feature command, EPSTL is referenced (3-1 in figure 18.14). The USB function module continues to return a stall handshake while the internal status bit is set, since the internal status bit is set even if a transaction is executed for the corresponding endpoint (2-1 and 2-2 in figure 18.14). To clear a stall, therefore, the internal status bit must be cleared with a Clear Feature command (3-1 in figure 18.14). If set by the application, EPSTL should also be cleared (2-1 in figure 18.14).



**Figure 18.14 Automatic Stall by USB Function Module**

## 18.7 DMA Transfer

### 18.7.1 Overview

DMA transfer can be performed for endpoints 1 and 2 in this module. Note that word or longword data cannot be transferred.

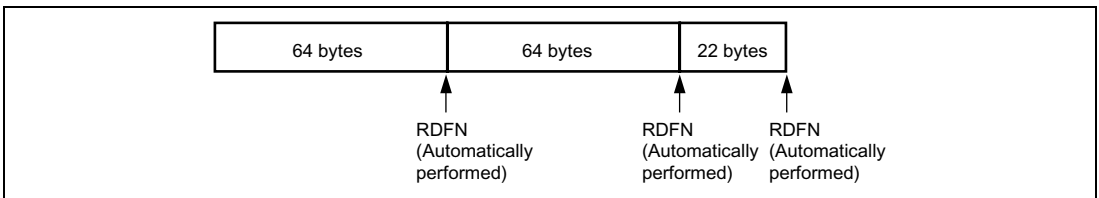
When endpoint 1 holds at least one byte of valid receive data, a DMA request for endpoint 1 is generated. When endpoint 2 holds no valid data, a DMA request for endpoint 2 is generated.

If the DMA transfer is enabled by setting the EP1DMAE bit to 1 in the DMA transfer setting register, zero-length data reception at endpoint 1 is ignored. When the DMA transfer is enabled, the RDFN bit for EP1 and PKTE bit for EP2 do not need to be set to 1 in TRG (note that the PKTE bit must be set to 1 when the transfer data is less than the maximum number of bytes). When all the data received at EP1 is read, the FIFO automatically enters the EMPTY state. When the maximum number of bytes (64 bytes) are written to the EP2 FIFO, the FIFO automatically enters the FULL state, and the data in the FIFO can be transmitted (see figures 18.15 and 18.16).

### 18.7.2 DMA Transfer for Endpoint 1

When the data received at EP1 is transferred by the DMAC, the USB function module automatically performs the same processing as writing 1 to the RDFN bit in TRG if the currently selected FIFO becomes empty. Accordingly, in DMA transfer, do not write 1 to the RDFN bit in TRG. If the user writes 1 to the RDFN bit in DMA transfer, correct operation cannot be guaranteed.

Figure 18.15 shows an example of receiving 150 bytes of data from the host. In this case, internal processing which is the same as writing 1 to the RDFN bit in TRG is automatically performed three times. This internal processing is performed when the currently selected data FIFO becomes empty. Accordingly, this processing is automatically performed both when 64-byte data is sent and when data less than 64 bytes is sent.



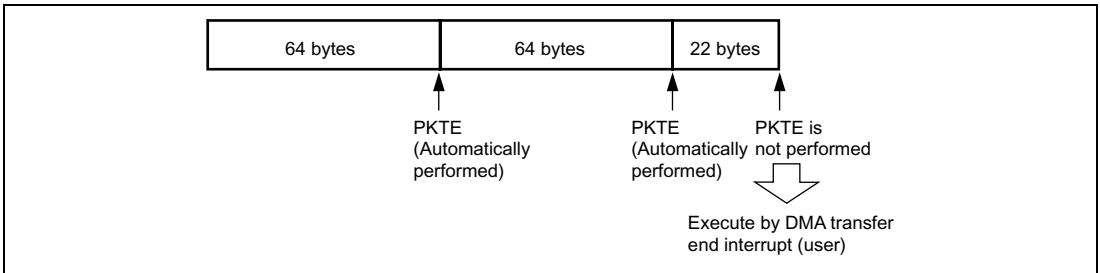
**Figure 18.15 RDFN Bit Operation for EP1**

### 18.7.3 DMA Transfer for Endpoint 2

When the transmit data at EP2 is transferred by the DMAC, the USB function module automatically performs the same processing as writing 1 to the PKTE bit in TRG if the currently selected FIFO (64 bytes) becomes full. Accordingly, to transfer data of a multiple of 64 bytes, the user need not write 1 to the PKTE bit. To transfer data of less than 64 bytes, the user must write 1 to the PKTE bit using the DMA transfer end interrupt of the on-chip DMAC. If the user writes 1 to the PKTE bit when the maximum number of bytes (64 bytes) are transferred, correct operation cannot be guaranteed.

Figure 18.16 shows an example for transmitting 150 bytes of data to the host. In this case, internal processing which is the same as writing 1 to the PKTE bit in TRG is automatically performed twice. This internal processing is performed when the currently selected data FIFO becomes full. Accordingly, this processing is automatically performed only when 64-byte data is sent.

When the last 22 bytes are sent, the internal processing for writing 1 to the PKTE bit is not performed, and the user must write 1 to the PKTE bit by software. In this case, the application has no more data to transfer but the USB function module continues to output DMA requests for EP2 as long as the FIFO has an empty space. When all data has been transferred, write 0 to the EP2DMAE bit in DMAR to cancel DMA requests for EP2.



**Figure 18.16 PKTE Bit Operation for EP2**

## 18.8 Example of USB External Circuitry

### 1. USB Transceiver

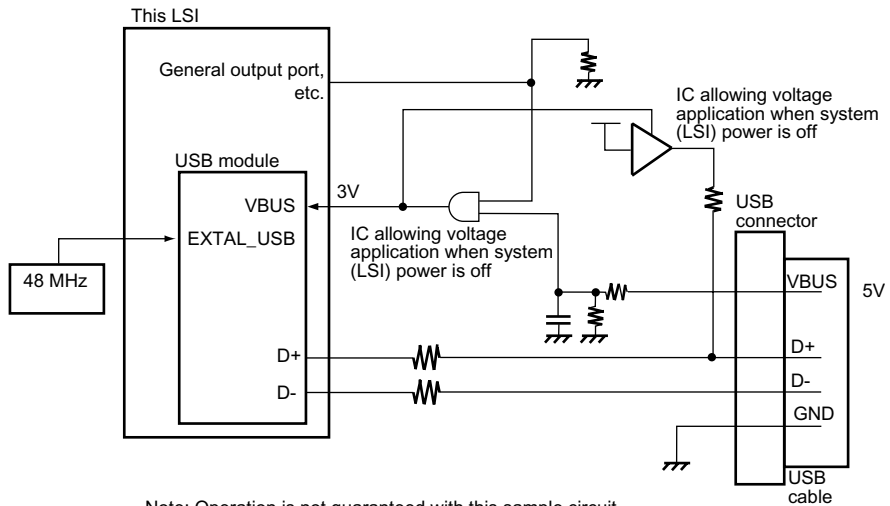
A USB transceiver IC (such as a PDIUSBP11) should be connected externally when no internal transceiver is used. The USB transceiver manufacturer should be consulted concerning the recommended circuit from the USB transceiver to the USB connector, etc.

### 2. D+ Pull-Up Control

In a system where it is wished to disable USB host/hub connection notification (D+ pull-up) (during high-priority processing or initialization processing, for example), D+ pull-up should be controlled using a general output port. However, if a USB cable is already connected to the host/hub and D+ pull-up is prohibited, D+ and D- will both go low (both of D+ and D- pulled down on the host/hub side) and the USB module will mistakenly identify this as reception of a USB bus reset from the host. Therefore, the D+ pull-up control signal and VBUS pin input signal should be controlled using a general output port and the USB cable VBUS (AND circuit) as shown in figure 18.17. (The UDC core in this LSI maintains the powered state when the VBUS pin is low, regardless of the D+/D- state.)

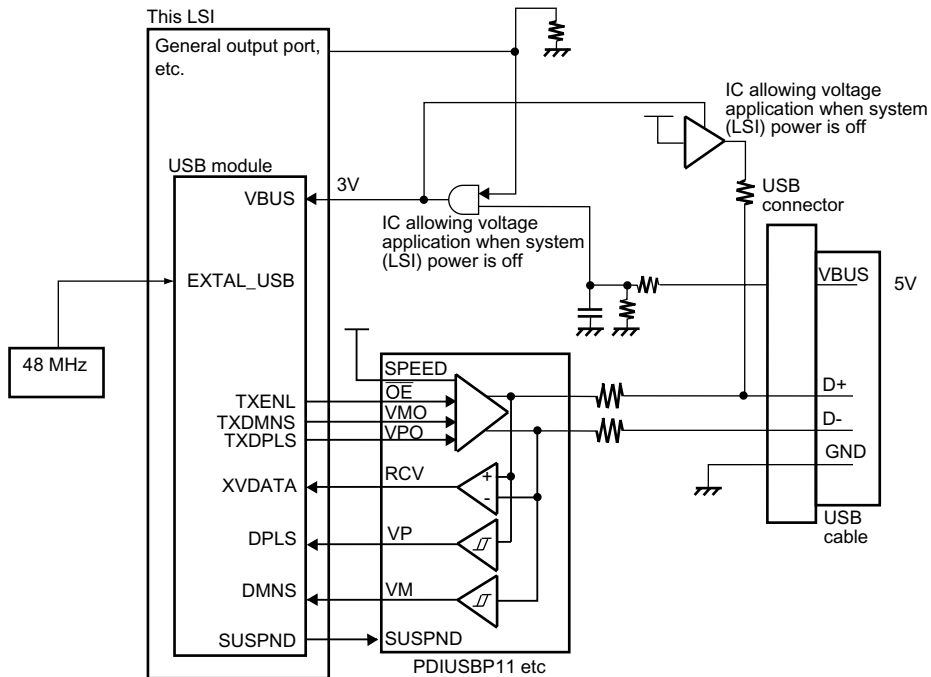
### 3. Detection of USB Cable Connection/Disconnection

As USB states, etc., are managed by hardware in this module, a VBUS signal that recognizes connection/disconnection is necessary. The power supply signal (VBUS) in the USB cable is used for this purpose. However, if the cable is connected to the USB host/hub when the function (system installing this LSI) power is off, a voltage (5 V) will be applied from the USB host/hub. Therefore, an IC (such as an HD74LV1G08A or 2G08A) that allows voltage application when the system power is off should be connected externally.



Note: Operation is not guaranteed with this sample circuit.  
 If external surge and ESD noise countermeasures are required for the system,  
 a protective diode or the noise canceler should be used for this purpose.

**Figure 18.17 Example of USB Function Module External Circuitry  
 (Internal Transceiver)**



Note: Operation is not guaranteed with this sample circuit.  
If external surge and ESD noise countermeasures are required for the system,  
a protective diode or the noise canceler should be used for this purpose.

**Figure 18.18 Example of USB Function Module External Circuitry  
(External Transceiver)**

## 18.9 Usage Notes

### 18.9.1 Receiving Setup Data

Note the following for EPDR0s that receives 8-byte setup data:

1. As a latest setup command must be received in high priority, the write from the USB bus takes priority over the read from the CPU. If the next setup command reception is started while the CPU is reading data after the data is received, the read from the CPU is forcibly terminated. Therefore, the data read after reception is started becomes invalid.
2. EPDR0s must always be read in 8-byte units. If the read is terminated at a midpoint, the data received at the next setup cannot be read correctly.

### 18.9.2 Clearing the FIFO

If a USB cable is disconnected during data transfer, the data being received or transmitted may remain in the FIFO. When disconnecting a USB cable, clear the FIFO.

While a FIFO is transferring data, it must not be cleared.

### 18.9.3 Overreading and Overwriting the Data Registers

Note the following when reading or writing to a data register of this module.

#### (1) Receive data registers

The receive data registers must not be read exceeding the valid amount of receive data, that is, the number of bytes indicated by the receive data size register. Even for EPDR1 which has double FIFO buffers, the maximum data to be read at one time is 64 bytes. After the data is read from the current valid FIFO buffer, be sure to write 1 to EP1RDFN in TRG, which switches the valid buffer, updates the receive data size to the new number of bytes, and enables the next data to be received.

#### (2) Transmit data registers

The transmit data registers must not be written to exceeding the maximum packet size. Even for EPDR2 which has double FIFO buffers, write data within the maximum packet size at one time. After the data is written, write 1 to PKTE in TRG to switch the valid buffer and enable the next data to be written. Data must not be continuously written to the two FIFO buffers.

## 18.9.4 Assigning Interrupt Sources to EP0

The EP0-related interrupt sources indicated by the interrupt source bits (bits 0 to 3) in IFR0 must be assigned to the same interrupt signal with ISR0. The other interrupt sources have no limitations.

## 18.9.5 Clearing the FIFO when DMA Transfer Is Enabled

The endpoint 1 data register (EPDR1) cannot be cleared when DMA transfer for endpoint 1 is enabled (EP1 DMAE in DMAR = 1). Cancel DMA transfer before clearing the register.

## 18.9.6 Notes on TR Interrupt

Note the following when using the transfer request interrupt (TR interrupt) for IN transfer to EP0i, EP2, or EP3.

The TR interrupt flag is set if the FIFO for the target EP has no data when the IN token is sent from the USB host. However, at the timing shown in figure 18.19, multiple TR interrupts occur successively. Take appropriate measures against malfunction in such a case.

Note: This module determines whether to return NAK if the FIFO of the target EP has no data when receiving the IN token, but the TR interrupt flag is set only after a NAK handshake is sent. If the next IN token is sent before PKTE of TRG is written to, the TR interrupt flag is set again.

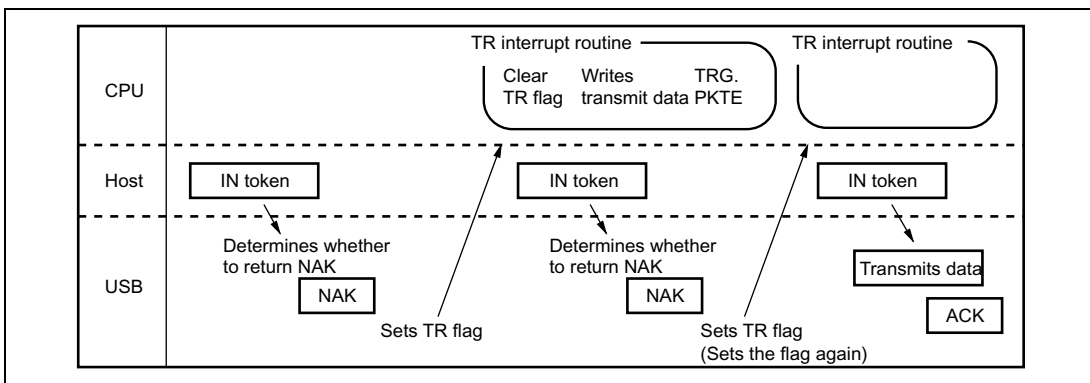


Figure 18.19 TR Interrupt Flag Set Timing



# Section 19 Pin Function Controller

## 19.1 Overview

The pin function controller (PFC) consists of registers to select the pin functions and I/O directions of multiplex pins. Pin functions and I/O directions can be individually selected for every pin regardless of the LSI operating mode. Table 19.1 lists the multiplex pins of this LSI.

**Table 19.1 Multiplex Pins**

| Port | Port Function (Related Module)               | Other Functions (Related Module)  |
|------|--|---|
| A    | PTA7 input/output (port)/PINT7 input (INTC)  | D23 input/output (BSC)  |
| A    | PTA6 input/output (port)/PINT6 input (INTC)  | D22 input/output (BSC)  |
| A    | PTA5 input/output (port)/PINT5 input (INTC)  | D21 input/output (BSC)  |
| A    | PTA4 input/output (port)/PINT4 input (INTC)  | D20 input/output (BSC)  |
| A    | PTA3 input/output (port)/PINT3 input (INTC)  | D19 input/output (BSC)  |
| A    | PTA2 input/output (port)/PINT2 input (INTC)  | D18 input/output (BSC)  |
| A    | PTA1 input/output (port)/PINT1 input (INTC)  | D17 input/output (BSC)  |
| A    | PTA0 input/output (port)/PINT0 input (INTC)  | D16 input/output (BSC)  |
| B    | PTB7 input/output (port)/PINT15 input (INTC) | D31 input/output (BSC)  |
| B    | PTB6 input/output (port)/PINT14 input (INTC) | D30 input/output (BSC)  |
| B    | PTB5 input/output (port)/PINT13 input (INTC) | D29 input/output (BSC)  |
| B    | PTB4 input/output (port)/PINT12 input (INTC) | D28 input/output (BSC)  |
| B    | PTB3 input/output (port)/PINT11 input (INTC) | D27 input/output (BSC)  |
| B    | PTB2 input/output (port)/PINT10 input (INTC) | D26 input/output (BSC)  |
| B    | PTB1 input/output (port)/PINT9 input (INTC)  | D25 input/output (BSC)  |
| B    | PTB0 input/output (port)/PINT8 input (INTC)  | D24 input/output (BSC)  |
| C    | PTC7 input/output (port)                     | CS6A output (BSC)   |
| C    | PTC6 input/output (port)                     | $\overline{\text{CS5A}}$ output (BSC)   |
| C    | PTC5 input/output (port)                     | $\overline{\text{CS4}}$ output (BSC)  |
| C    | PTC4 input/output (port)                     | $\overline{\text{CS3}}$ output (BSC)  |
| C    | PTC3 input/output (port)                     | $\overline{\text{CS2}}$ output (BSC)  |
| C    | PTC2 input/output (port)                     | $\overline{\text{WE3}}$ output (BSC)/DQM <sub>UU</sub> output (BSC)/<br>AH output (BSC) |
| C    | PTC1 input/output (port)                     | $\overline{\text{WE2}}$ output (BSC)/DQM <sub>L</sub> output (BSC)                      |
| C    | PTC0 input/output (port)                     | $\overline{\text{BS}}$ output (BSC)   |

| Port | Port Function (Related Module) | Other Functions (Related Module)                       |
|------|--------------------------------|--|
| D    | PTD7 input/output (port)       | $\overline{CS6B}$ output (BSC)                         |
| D    | PTD6 input/output (port)       | $\overline{CS5B}$ output (BSC)                         |
| D    | PTD5 input (port)              | NF <sup>*1</sup>                                       |
| D    | PTD4 input/output (port)       | CKE output (BSC)                                       |
| D    | PTD3 input/output (port)       | $\overline{CASU}$ output (BSC)                         |
| D    | PTD2 input/output (port)       | $\overline{CASL}$ output (BSC)                         |
| D    | PTD1 input/output (port)       | $\overline{RASU}$ output (BSC)                         |
| D    | PTD0 input/output (port)       | $\overline{RASL}$ output (BSC)                         |
| E    | PTE7 input/output (port)       | —  |
| E    | PTE6 input/output (port)       | TCLK input (TMU)                                       |
| E    | PTE5 input/output (port)       | STATUS1 output (CPG)/ $\overline{CTS0}$ input (SCIF0)  |
| E    | PTE4 input/output (port)       | STATUS0 output (CPG)/ $\overline{RTS0}$ output (SCIF0) |
| E    | PTE3 input/output (port)       | TEND0 output (DMAC)                                    |
| E    | PTE2 input/output (port)       | IRQ5 input (INTC)                                      |
| E    | PTE1 input/output (port)       | DACK1 output (DMAC)                                    |
| E    | PTE0 input/output (port)       | DACK0 output (DMAC)                                    |
| F    | PTF7 input/output (port)       | $\overline{ASEMD0}$ input                              |
| F    | PTF6 input/output (port)       | $\overline{ASEBRKAK}$ output                           |
| F    | PTF5 input/output (port)       | TDO output (UDI)                                       |
| F    | PTF4 input/output (port)       | $\overline{AUDSYNC}$ output (AUD)                      |
| F    | PTF3 input/output (port)       | AUDATA3 output (AUD)/TO3 output (TPU)                  |
| F    | PTF2 input/output (port)       | AUDATA2 output (AUD)/TO2 output (TPU)                  |
| F    | PTF1 input/output (port)       | AUDATA1 output (AUD)/TO1 output (TPU)                  |
| F    | PTF0 input/output (port)       | AUDATA0 output (AUD)/TO0 output (TPU)                  |
| G    | PTG7 input/output (port)       | $\overline{WAIT}$ input (BSC)                          |
| G    | PTG6 input/output (port)       | $\overline{BREQ}$ input (BSC)                          |
| G    | PTG5 input/output (port)       | $\overline{BACK}$ output (BSC)                         |
| G    | PTG4 input/output (port)       | $\overline{AUDCK}$ output (AUD)                        |
| G    | PTG3 input/output (port)       | $\overline{TRST}$ input (UDI)                          |
| G    | PTG2 input/output (port)       | TMS input (UDI)  |
| G    | PTG1 input/output (port)       | TCK input (UDI)  |
| G    | PTG0 input/output (port)       | TDI input (UDI)  |

| Port | Port Function (Related Module) | Other Functions (Related Module)    |
|------|--------------------------------|-------------------------------------|
| H    | PTH6 input/output (port)       | DREQ1 input (DMAC)                  |
| H    | PTH5 input/output (port)       | DREQ0 input (DMAC)                  |
| H    | PTH4 input/output (port)       | IRQ4 input (INTC)                   |
| H    | PTH3 input/output (port)       | IRQ3 input (INTC)/IRL3 input (INTC) |
| H    | PTH2 input/output (port)       | IRQ2 input (INTC)/IRL2 input (INTC) |
| H    | PTH1 input/output (port)       | IRQ1 input (INTC)/IRL1 input (INTC) |
| H    | PTH0 input/output (port)       | IRQ0 input (INTC)/IRL0 input (INTC) |
| J    | PTJ7 output (port)             | NF*1                                |
| J    | PTJ6 output (port)             | NF*1                                |
| J    | PTJ5 output (port)             | NF*1                                |
| J    | PTJ4 output (port)             | NF*1                                |
| J    | PTJ3 output (port)             | NF*1                                |
| J    | PTJ2 output (port)             | NF*1                                |
| J    | PTJ1 output (port)             | NF*1                                |
| J    | PTJ0 output (port)             | NF*1                                |
| K    | PTK7 input/output (port)       | A25 output (BSC)                    |
| K    | PTK6 input/output (port)       | A24 output (BSC)                    |
| K    | PTK5 input/output (port)       | A23 output (BSC)                    |
| K    | PTK4 input/output (port)       | A22 output (BSC)                    |
| K    | PTK3 input/output (port)       | A21 output (BSC)                    |
| K    | PTK2 input/output (port)       | A20 output (BSC)                    |
| K    | PTK1 input/output (port)       | A19 output (BSC)                    |
| K    | PTK0 input/output (port)       | A0 output (BSC)                     |
| L    | PTL3 input (port)              | AN3 input (ADC)                     |
| L    | PTL2 input (port)              | AN2 input (ADC)                     |
| L    | PTL1 input (port)              | AN1 input (ADC)                     |
| L    | PTL0 input (port)              | AN0 input (ADC)                     |
| M    | PTM6 input/output (port)       | VBUS input (USB)                    |
| M    | PTM4 input (port)              | NF*1                                |
| M    | PTM3 input/output (port)       | —                                   |
| M    | PTM2 input/output (port)       | —                                   |
| M    | PTM1 input/output (port)       | —                                   |
| M    | PTM0 input/output (port)       | —                                   |

| Port | Port Function (Related Module) | Other Functions (Related Module)       |
|------|--------------------------------|--|
| N    | PTN7 input/output (port)       | —                                      |
| N    | PTN6 input/output (port)       | DPLS input (USB)                       |
| N    | PTN5 input/output (port)       | DMNS input (USB)                       |
| N    | PTN4 input/output (port)       | TXDPLS output (USB)                    |
| N    | PTN3 input/output (port)       | TXDMNS output (USB)                    |
| N    | PTN2 input/output (port)       | XVDATA input (USB)                     |
| N    | PTN1 input/output (port)       | TXENL output (USB)                     |
| N    | PTN0 input/output (port)       | SUSPND output (USB)                    |
| SCPT | SCPT5 input/output (port)      | CTS2 input (SCIF2)                     |
| SCPT | SCPT4 input/output (port)      | RTS2 output (SCIF2)                    |
| SCPT | SCPT3 input/output (port)      | SCK2 input/output (SCIF2)              |
| SCPT | SCPT2 input (port)*2           | RXD2 input (SCIF2)                     |
| SCPT | SCPT2 output (port)*2          | TXD2 output (SCIF2)                    |
| SCPT | SCPT1 input/output (port)      | SCK0 input/output (SCIF0)              |
| SCPT | SCPT0 input (port)*2           | RXD0 input (SCIF0)/IrRX input (IrDA)   |
| SCPT | SCPT0 output (port)*2          | TXD0 output (SCIF0)/IrTX output (IrDA) |

- Notes: 1. The initial functions of NF (No Function) pins are not assigned after power-on reset. Specifies the functions with Pin Function Controller (PFC).  
PTD5 and PTM4 must be pulled up.  
PTJ[7:0] must be open except for the pins specified as port output pins.  
The values of PTJ6, PTJ1, and PTJ0 differ during power-on reset and after the power-on reset state is released. They conform to the port J data register value after being switched to port status by the pin function controller (PFC).

|         | During Power-On Reset | After Power-On Reset Release |             |
|---------|-----------------------|------------------------------|-------------|
|         |                       | PTD5/NF = 1                  | PTD5/NF = 0 |
| PTJ6/NF | 1                     | 0                            | 1           |
| PTJ1/NF | 1                     | 1                            | 0           |
| PTJ0/NF | 1                     | 0                            | 1           |

2. SCPT0 and SCPT2 each have two separate pins for input and output, however, a common data register is accessed.

In table 19.1, pin functions in the shaded column can be used immediately after a power-on reset.

## 19.2 Register Descriptions

The PFC has the following registers. For details on register addresses and access sizes, see section 24, List of Registers.

- Port A control register (PACR)
- Port B control register (PBCR)
- Port C control register (PCCR)
- Port D control register (PDCR)
- Port E control register (PECR)
- Port E control register 2 (PECR2)
- Port F control register (PFCR)
- Port F control register 2 (PFCR2)
- Port G control register (PGCR)
- Port H control register (PHCR)
- Port J control register (PJCR)
- Port K control register (PKCR)
- Port L control register (PLCR)
- Port M control register (PMCR)
- Port N control register (PNCR)
- Port N control register 2 (PNCR2)
- Port SC control register (SCPCR)

### 19.2.1 Port A Control Register (PACR)

PACR is a 16-bit readable/writable register that selects the pin function and input pull-up MOS control.

| Bit | Bit Name | Initial Value | R/W | Description  |
|-----|----------|---------------|-----|--|
| 15  | PA7MD1   | 0             | R/W | PTA7 Mode  |
| 14  | PA7MD0   | 0             | R/W | 00: Other functions (see table 19.1)<br>01: Port output<br>10: Port input (pull-up MOS: On)<br>11: Port input (pull-up MOS: Off) |
| 13  | PA6MD1   | 0             | R/W | PTA6 Mode  |
| 12  | PA6MD0   | 0             | R/W | 00: Other functions (see table 19.1)<br>01: Port output<br>10: Port input (pull-up MOS: On)<br>11: Port input (pull-up MOS: Off) |
| 11  | PA5MD1   | 0             | R/W | PTA5 Mode  |
| 10  | PA5MD0   | 0             | R/W | 00: Other functions (see table 19.1)<br>01: Port output<br>10: Port input (pull-up MOS: On)<br>11: Port input (pull-up MOS: Off) |
| 9   | PA4MD1   | 0             | R/W | PTA4 Mode  |
| 8   | PA4MD0   | 0             | R/W | 00: Other functions (see table 19.1)<br>01: Port output<br>10: Port input (pull-up MOS: On)<br>11: Port input (pull-up MOS: Off) |
| 7   | PA3MD1   | 0             | R/W | PTA3 Mode  |
| 6   | PA3MD0   | 0             | R/W | 00: Other functions (see table 19.1)<br>01: Port output<br>10: Port input (pull-up MOS: On)<br>11: Port input (pull-up MOS: Off) |

| Bit | Bit Name | Initial Value | R/W | Description  |
|-----|----------|---------------|-----|--|
| 5   | PA2MD1   | 0             | R/W | PTA2 Mode  |
| 4   | PA2MD0   | 0             | R/W | 00: Other functions (see table 19.1)<br>01: Port output<br>10: Port input (pull-up MOS: On)<br>11: Port input (pull-up MOS: Off) |
| 3   | PA1MD1   | 0             | R/W | PTA1 Mode  |
| 2   | PA1MD0   | 0             | R/W | 00: Other functions (see table 19.1)<br>01: Port output<br>10: Port input (pull-up MOS: On)<br>11: Port input (pull-up MOS: Off) |
| 1   | PA0MD1   | 0             | R/W | PTA0 Mode  |
| 0   | PA0MD0   | 0             | R/W | 00: Other functions (see table 19.1)<br>01: Port output<br>10: Port input (pull-up MOS: On)<br>11: Port input (pull-up MOS: Off) |

### 19.2.2 Port B Control Register (PBCR)

PBCR is a 16-bit readable/writable register that selects the pin function and input pull-up MOS control.

| Bit | Bit Name | Initial Value | R/W | Description  |
|-----|----------|---------------|-----|--|
| 15  | PB7MD1   | 0             | R/W | PTB7 Mode  |
| 14  | PB7MD0   | 0             | R/W | 00: Other functions (see table 19.1)<br>01: Port output<br>10: Port input (pull-up MOS: On)<br>11: Port input (pull-up MOS: Off) |
| 13  | PB6MD1   | 0             | R/W | PTB6 Mode  |
| 12  | PB6MD0   | 0             | R/W | 00: Other functions (see table 19.1)<br>01: Port output<br>10: Port input (pull-up MOS: On)<br>11: Port input (pull-up MOS: Off) |

| Bit | Bit Name | Initial Value | R/W | Description  |
|-----|----------|---------------|-----|--|
| 11  | PB5MD1   | 0             | R/W | PTB5 Mode  |
| 10  | PB5MD0   | 0             | R/W | 00: Other functions (see table 19.1)<br>01: Port output<br>10: Port input (pull-up MOS: On)<br>11: Port input (pull-up MOS: Off) |
| 9   | PB4MD1   | 0             | R/W | PTB4 Mode  |
| 8   | PB4MD0   | 0             | R/W | 00: Other functions (see table 19.1)<br>01: Port output<br>10: Port input (pull-up MOS: On)<br>11: Port input (pull-up MOS: Off) |
| 7   | PB3MD1   | 0             | R/W | PTB3 Mode  |
| 6   | PB3MD0   | 0             | R/W | 00: Other functions (see table 19.1)<br>01: Port output<br>10: Port input (pull-up MOS: On)<br>11: Port input (pull-up MOS: Off) |
| 5   | PB2MD1   | 0             | R/W | PTB2 Mode  |
| 4   | PB2MD0   | 0             | R/W | 00: Other functions (see table 19.1)<br>01: Port output<br>10: Port input (pull-up MOS: On)<br>11: Port input (pull-up MOS: Off) |
| 3   | PB1MD1   | 0             | R/W | PTB1 Mode  |
| 2   | PB1MD0   | 0             | R/W | 00: Other functions (see table 19.1)<br>01: Port output<br>10: Port input (pull-up MOS: On)<br>11: Port input (pull-up MOS: Off) |
| 1   | PB0MD1   | 0             | R/W | PTB0 Mode  |
| 0   | PB0MD0   | 0             | R/W | 00: Other functions (see table 19.1)<br>01: Port output<br>10: Port input (pull-up MOS: On)<br>11: Port input (pull-up MOS: Off) |



### 19.2.3 Port C Control Register (PCCR)

PCCR is a 16-bit readable/writable register that selects the pin function and input pull-up MOS control.

| Bit | Bit Name | Initial Value | R/W | Description  |
|-----|----------|---------------|-----|--|
| 15  | PC7MD1   | 1             | R/W | PTC7 Mode  |
| 14  | PC7MD0   | 1             | R/W | 00: Other functions (see table 19.1)<br>01: Port output<br>10: Port input (pull-up MOS: On)<br>11: Port input (pull-up MOS: Off) |
| 13  | PC6MD1   | 1             | R/W | PTC6 Mode  |
| 12  | PC6MD0   | 1             | R/W | 00: Other functions (see table 19.1)<br>01: Port output<br>10: Port input (pull-up MOS: On)<br>11: Port input (pull-up MOS: Off) |
| 11  | PC5MD1   | 0             | R/W | PTC5 Mode  |
| 10  | PC5MD0   | 0             | R/W | 00: Other functions (see table 19.1)<br>01: Port output<br>10: Port input (pull-up MOS: On)<br>11: Port input (pull-up MOS: Off) |
| 9   | PC4MD1   | 0             | R/W | PTC4 Mode  |
| 8   | PC4MD0   | 0             | R/W | 00: Other functions (see table 19.1)<br>01: Port output<br>10: Port input (pull-up MOS: On)<br>11: Port input (pull-up MOS: Off) |
| 7   | PC3MD1   | 0             | R/W | PTC3 Mode  |
| 6   | PC3MD0   | 0             | R/W | 00: Other functions (see table 19.1)<br>01: Port output<br>10: Port input (pull-up MOS: On)<br>11: Port input (pull-up MOS: Off) |

| Bit | Bit Name | Initial Value | R/W | Description  |
|-----|----------|---------------|-----|--|
| 5   | PC2MD1   | 0             | R/W | PTC2 Mode  |
| 4   | PC2MD0   | 0             | R/W | 00: Other functions (see table 19.1)<br>01: Port output<br>10: Port input (pull-up MOS: On)<br>11: Port input (pull-up MOS: Off) |
| 3   | PC1MD1   | 0             | R/W | PTC1 Mode  |
| 2   | PC1MD0   | 0             | R/W | 00: Other functions (see table 19.1)<br>01: Port output<br>10: Port input (pull-up MOS: On)<br>11: Port input (pull-up MOS: Off) |
| 1   | PC0MD1   | 0             | R/W | PTC0 Mode  |
| 0   | PC0MD0   | 0             | R/W | 00: Other functions (see table 19.1)<br>01: Port output<br>10: Port input (pull-up MOS: On)<br>11: Port input (pull-up MOS: Off) |

## 19.2.4 Port D Control Register (PDCR)

PDCR is a 16-bit readable/writable register that selects the pin function and input pull-up MOS control.

| Bit | Bit Name | Initial Value | R/W | Description  |
|-----|----------|---------------|-----|--|
| 15  | PD7MD1   | 1             | R/W | PTD7 Mode  |
| 14  | PD7MD0   | 1             | R/W | 00: Other functions (see table 19.1)<br>01: Port output<br>10: Port input (pull-up MOS: On)<br>11: Port input (pull-up MOS: Off) |
| 13  | PD6MD1   | 1             | R/W | PTD6 Mode  |
| 12  | PD6MD0   | 1             | R/W | 00: Other functions (see table 19.1)<br>01: Port output<br>10: Port input (pull-up MOS: On)<br>11: Port input (pull-up MOS: Off) |
| 11  | PD5MD1   | 0             | R/W | PTD5 Mode  |
| 10  | PD5MD0   | 0             | R/W | 00: NF<br>01: Setting prohibited<br>10: Port input (pull-up MOS: On)<br>11: Port input (pull-up MOS: Off)                        |
| 9   | PD4MD1   | 0             | R/W | PTD4 Mode  |
| 8   | PD4MD0   | 0             | R/W | 00: Other functions (see table 19.1)<br>01: Port output<br>10: Port input (pull-up MOS: On)<br>11: Port input (pull-up MOS: Off) |
| 7   | PD3MD1   | 1             | R/W | PTD3 Mode  |
| 6   | PD3MD0   | 1             | R/W | 00: Other functions (see table 19.1)<br>01: Port output<br>10: Port input (pull-up MOS: On)<br>11: Port input (pull-up MOS: Off) |

| Bit | Bit Name | Initial Value | R/W | Description  |
|-----|----------|---------------|-----|--|
| 5   | PD2MD1   | 0             | R/W | PTD2 Mode  |
| 4   | PD2MD0   | 0             | R/W | 00: Other functions (see table 19.1)<br>01: Port output<br>10: Port input (pull-up MOS: On)<br>11: Port input (pull-up MOS: Off) |
| 3   | PD1MD1   | 1             | R/W | PTD1 Mode  |
| 2   | PD1MD0   | 1             | R/W | 00: Other functions (see table 19.1)<br>01: Port output<br>10: Port input (pull-up MOS: On)<br>11: Port input (pull-up MOS: Off) |
| 1   | PD0MD1   | 0             | R/W | PTD0 Mode  |
| 0   | PD0MD0   | 0             | R/W | 00: Other functions (see table 19.1)<br>01: Port output<br>10: Port input (pull-up MOS: On)<br>11: Port input (pull-up MOS: Off) |

## 19.2.5 Port E Control Register (PECR)

PECR is a 16-bit readable/writable register that selects the pin function and input pull-up MOS control.

| Bit | Bit Name | Initial Value | R/W | Description  |
|-----|----------|---------------|-----|--|
| 15  | PE7MD1   | 1             | R/W | PTE7 Mode  |
| 14  | PE7MD0   | 0             | R/W | 00: Setting prohibited<br>01: Port output<br>10: Port input (pull-up MOS: On)<br>11: Port input (pull-up MOS: Off)               |
| 13  | PE6MD1   | 1             | R/W | PTE6 Mode  |
| 12  | PE6MD0   | 0             | R/W | 00: Other functions (see table 19.1)<br>01: Port output<br>10: Port input (pull-up MOS: On)<br>11: Port input (pull-up MOS: Off) |
| 11  | PE5MD1   | 0             | R/W | PTE5 Mode  |
| 10  | PE5MD0   | 0             | R/W | 00: Other functions (see table 19.1)<br>01: Port output<br>10: Port input (pull-up MOS: On)<br>11: Port input (pull-up MOS: Off) |
| 9   | PE4MD1   | 0             | R/W | PTE4 Mode  |
| 8   | PE4MD0   | 0             | R/W | 00: Other functions (see table 19.1)<br>01: Port output<br>10: Port input (pull-up MOS: On)<br>11: Port input (pull-up MOS: Off) |
| 7   | PE3MD1   | 1             | R/W | PTE3 Mode  |
| 6   | PE3MD0   | 0             | R/W | 00: Other functions (see table 19.1)<br>01: Port output<br>10: Port input (pull-up MOS: On)<br>11: Port input (pull-up MOS: Off) |
| 5   | PE2MD1   | 1             | R/W | PTE2 Mode  |
| 4   | PE2MD0   | 1             | R/W | 00: Other functions (see table 19.1)<br>01: Port output<br>10: Port input (pull-up MOS: On)<br>11: Port input (pull-up MOS: Off) |

| Bit | Bit Name | Initial Value | R/W | Description  |
|-----|----------|---------------|-----|--|
| 3   | PE1MD1   | 1             | R/W | PTE1 Mode  |
| 2   | PE1MD0   | 0             | R/W | 00: Other functions (see table 19.1)<br>01: Port output<br>10: Port input (pull-up MOS: On)<br>11: Port input (pull-up MOS: Off) |
| 1   | PE0MD1   | 1             | R/W | PTE0 Mode  |
| 0   | PE0MD0   | 0             | R/W | 00: Other functions (see table 19.1)<br>01: Port output<br>10: Port input (pull-up MOS: On)<br>11: Port input (pull-up MOS: Off) |

### 19.2.6 Port E Control Register 2 (PECR2)

PECR2 is an 8-bit readable/writable register that selects the pin function.

| Bit    | Bit Name | Initial Value | R/W | Description  |
|--------|----------|---------------|-----|--|
| 7, 6   | —        | 0             | R   | Reserved<br>These bits are always read as 0. The write value should always be 0.   |
| 5      | PE5MD2   | 0             | R/W | PE5 Mode 2<br>This bit is valid when the PE5MD[1:0] bits in PECR are set to B'00 (other functions).<br>0: STATUS1 (CPG)<br>1: $\overline{\text{CTS0}}$ (SCIF0) |
| 4      | PE4MD2   | 0             | R/W | PE4 Mode 2<br>This bit is valid when the PE4MD[1:0] bits in PECR are set to B'00 (other functions).<br>0: STATUS0 (CPG)<br>1: $\overline{\text{RTS0}}$ (SCIF0) |
| 3 to 0 | —        | 0             | R   | Reserved<br>These bits are always read as 0. The write value should always be 0.   |

## 19.2.7 Port F Control Register (PFCR)

PFCR is a 16-bit readable/writable register that selects the pin function and input pull-up MOS control.

| Bit | Bit Name | Initial Value | R/W | Description  |
|-----|----------|---------------|-----|--|
| 15  | PF7MD1   | 0             | R/W | PTF7 Mode  |
| 14  | PF7MD0   | 0             | R/W | 00: Other functions*2 (see table 19.1)<br>01: Port output<br>10: Port input (pull-up MOS: On)<br>11: Port input (pull-up MOS: Off) |
| 13  | PF6MD1   | 1*1           | R/W | PTF6 Mode  |
| 12  | PF6MD0   | 0             | R/W | 00: Other functions (see table 19.1)<br>01: Port output<br>10: Port input (pull-up MOS: On)<br>11: Port input (pull-up MOS: Off)   |
| 11  | PF5MD1   | 0             | R/W | PTF5 Mode  |
| 10  | PF5MD0   | 0             | R/W | 00: Other functions (see table 19.1)<br>01: Port output<br>10: Port input (pull-up MOS: On)<br>11: Port input (pull-up MOS: Off)   |
| 9   | PF4MD1   | 1*1           | R/W | PTF4 Mode  |
| 8   | PF4MD0   | 0             | R/W | 00: Other functions (see table 19.1)<br>01: Port output<br>10: Port input (pull-up MOS: On)<br>11: Port input (pull-up MOS: Off)   |
| 7   | PF3MD1   | 1*1           | R/W | PTF3 Mode  |
| 6   | PF3MD0   | 0             | R/W | 00: Other functions (see table 19.1)<br>01: Port output<br>10: Port input (pull-up MOS: On)<br>11: Port input (pull-up MOS: Off)   |
| 5   | PF2MD1   | 1*1           | R/W | PTF2 Mode  |
| 4   | PF2MD0   | 0             | R/W | 00: Other functions (see table 19.1)<br>01: Port output<br>10: Port input (pull-up MOS: On)<br>11: Port input (pull-up MOS: Off)   |

| Bit | Bit Name | Initial Value   | R/W | Description  |
|-----|----------|-----------------|-----|--|
| 3   | PF1MD1   | 1* <sup>1</sup> | R/W | PTF1 Mode  |
| 2   | PF1MD0   | 0               | R/W | 00: Other functions (see table 19.1)<br>01: Port output<br>10: Port input (pull-up MOS: On)<br>11: Port input (pull-up MOS: Off) |
| 1   | PF0MD1   | 1* <sup>1</sup> | R/W | PTF0 Mode  |
| 0   | PF0MD0   | 0               | R/W | 00: Other functions (see table 19.1)<br>01: Port output<br>10: Port input (pull-up MOS: On)<br>11: Port input (pull-up MOS: Off) |

Notes: 1. Indicates the initial value when ASEMD0 = 1. When ASEMD0 = 0, the relevant bit becomes 0, and other functions is selected.  
2. Pull-up MOS on.

### 19.2.8 Port F Control Register 2 (PFCR2)

PFCR2 is an 8-bit readable/writable register that selects the pin function.

| Bit    | Bit Name | Initial Value | R/W | Description  |
|--------|----------|---------------|-----|--|
| 7 to 4 | —        | 0             | R   | Reserved<br>These bits are always read as 0. The write value should always be 0.   |
| 3      | PF3MD2   | 0             | R/W | PTF3 Mode 2<br>This bit is valid when the PF3MD[1:0] bits in PFCR are set to B'00 (other functions).<br>0: AUDATA3 (AUD)<br>1: TO3 (TPU) |
| 2      | PF2MD2   | 0             | R/W | PTF2 Mode 2<br>This bit is valid when the PF2MD[1:0] bits in PFCR are set to B'00 (other functions).<br>0: AUDATA2 (AUD)<br>1: TO2 (TPU) |



| Bit | Bit Name | Initial Value | R/W | Description  |
|-----|----------|---------------|-----|--|
| 1   | PF1MD2   | 0             | R/W | PTF1 Mode 2<br>This bit is valid when the PF1MD[1:0] bits in PFCR are set to B'00 (other functions).<br>0: AUDATA1 (AUD)<br>1: TO1 (TPU) |
| 0   | PF0MD2   | 0             | R/W | PTF0 Mode 2<br>This bit is valid when the PF0MD[1:0] bits in PFCR are set to B'00 (other functions).<br>0: AUDATA0 (AUD)<br>1: TO0 (TPU) |

### 19.2.9 Port G Control Register (PGCR)

PGCR is a 16-bit readable/writable register that selects the pin function and input pull-up MOS control.

| Bit | Bit Name | Initial Value | R/W | Description  |
|-----|----------|---------------|-----|--|
| 15  | PG7MD1   | 0             | R/W | PTG7 Mode  |
| 14  | PG7MD0   | 0             | R/W | 00: Other functions (see table 19.1)<br>01: Port output<br>10: Port input (pull-up MOS: On)<br>11: Port input (pull-up MOS: Off) |
| 13  | PG6MD1   | 0             | R/W | PTG6 Mode  |
| 12  | PG6MD0   | 0             | R/W | 00: Other functions (see table 19.1)<br>01: Port output<br>10: Port input (pull-up MOS: On)<br>11: Port input (pull-up MOS: Off) |
| 11  | PG5MD1   | 0             | R/W | PTG5 Mode  |
| 10  | PG5MD0   | 0             | R/W | 00: Other functions (see table 19.1)<br>01: Port output<br>10: Port input (pull-up MOS: On)<br>11: Port input (pull-up MOS: Off) |

| Bit | Bit Name | Initial Value   | R/W | Description  |
|-----|----------|-----------------|-----|--|
| 9   | PG4MD1   | 1* <sup>1</sup> | R/W | PTG4 Mode  |
| 8   | PG4MD0   | 0               | R/W | 00: Other functions (see table 19.1)<br>01: Port output<br>10: Port input (pull-up MOS: On)<br>11: Port input (pull-up MOS: Off)               |
| 7   | PG3MD1   | 0               | R/W | PTG3 Mode  |
| 6   | PG3MD0   | 0               | R/W | 00: Other functions* <sup>2</sup> (see table 19.1)<br>01: Port output<br>10: Port input (pull-up MOS: On)<br>11: Port input (pull-up MOS: Off) |
| 5   | PG2MD1   | 0               | R/W | PTG2 Mode  |
| 4   | PG2MD0   | 0               | R/W | 00: Other functions* <sup>2</sup> (see table 19.1)<br>01: Port output<br>10: Port input (pull-up MOS: On)<br>11: Port input (pull-up MOS: Off) |
| 3   | PG1MD1   | 0               | R/W | PTG1 Mode  |
| 2   | PG1MD0   | 0               | R/W | 00: Other functions* <sup>2</sup> (see table 19.1)<br>01: Port output<br>10: Port input (pull-up MOS: On)<br>11: Port input (pull-up MOS: Off) |
| 1   | PG0MD1   | 0               | R/W | PTG0 Mode  |
| 0   | PG0MD0   | 0               | R/W | 00: Other functions* <sup>2</sup> (see table 19.1)<br>01: Port output<br>10: Port input (pull-up MOS: On)<br>11: Port input (pull-up MOS: Off) |

- Notes: 1. Indicates the initial value when  $\overline{\text{ASEMD0}} = 1$ . When  $\overline{\text{ASEMD0}} = 0$ , the relevant bit becomes 0, and other functions is selected.
2. Pull-up MOS on.

## 19.2.10 Port H Control Register (PHCR)

PHCR is a 16-bit readable/writable register that selects the pin function and input pull-up MOS control.

| Bit    | Bit Name | Initial Value | R/W | Description  |
|--------|----------|---------------|-----|--|
| 15, 14 | —        | 0             | R   | Reserved<br>These bits are always read as 0. The write value should always be 0.   |
| 13     | PH6MD1   | 1             | R/W | PTH6 Mode  |
| 12     | PH6MD0   | 1             | R/W | 00: Other functions (see table 19.1)<br>01: Port output<br>10: Port input (pull-up MOS: On)<br>11: Port input (pull-up MOS: Off) |
| 11     | PH5MD1   | 1             | R/W | PTH5 Mode  |
| 10     | PH5MD0   | 1             | R/W | 00: Other functions (see table 19.1)<br>01: Port output<br>10: Port input (pull-up MOS: On)<br>11: Port input (pull-up MOS: Off) |
| 9      | PH4MD1   | 0             | R/W | PTH4 Mode  |
| 8      | PH4MD0   | 0             | R/W | 00: Other functions (see table 19.1)<br>01: Port output<br>10: Port input (pull-up MOS: On)<br>11: Port input (pull-up MOS: Off) |
| 7      | PH3MD1   | 0             | R/W | PTH3 Mode  |
| 6      | PH3MD0   | 0             | R/W | 00: Other functions (see table 19.1)<br>01: Port output<br>10: Port input (pull-up MOS: On)<br>11: Port input (pull-up MOS: Off) |
| 5      | PH2MD1   | 0             | R/W | PTH2 Mode  |
| 4      | PH2MD0   | 0             | R/W | 00: Other functions (see table 19.1)<br>01: Port output<br>10: Port input (pull-up MOS: On)<br>11: Port input (pull-up MOS: Off) |

| Bit | Bit Name | Initial Value | R/W | Description  |
|-----|----------|---------------|-----|--|
| 3   | PH1MD1   | 0             | R/W | PTH1 Mode  |
| 2   | PH1MD0   | 0             | R/W | 00: Other functions (see table 19.1)<br>01: Port output<br>10: Port input (pull-up MOS: On)<br>11: Port input (pull-up MOS: Off) |
| 1   | PH0MD1   | 0             | R/W | PTH0 Mode  |
| 0   | PH0MD0   | 0             | R/W | 00: Other functions (see table 19.1)<br>01: Port output<br>10: Port input (pull-up MOS: On)<br>11: Port input (pull-up MOS: Off) |

### 19.2.11 Port J Control Register (PJCR)

PJCR is a 16-bit readable/writable register that selects the pin function.

| Bit | Bit Name | Initial Value | R/W | Description   |
|-----|----------|---------------|-----|---|
| 15  | PJ7MD1   | 0             | R/W | PTJ7 Mode   |
| 14  | PJ7MD0   | 0             | R/W | 00: NF<br>01: Port output<br>10: Setting prohibited<br>11: Setting prohibited |
| 13  | PJ6MD1   | 0             | R/W | PTJ6 Mode   |
| 12  | PJ6MD0   | 0             | R/W | 00: NF<br>01: Port output<br>10: Setting prohibited<br>11: Setting prohibited |
| 11  | PJ5MD1   | 0             | R/W | PTJ5 Mode   |
| 10  | PJ5MD0   | 0             | R/W | 00: NF<br>01: Port output<br>10: Setting prohibited<br>11: Setting prohibited |

| Bit | Bit Name | Initial Value | R/W | Description   |
|-----|----------|---------------|-----|---|
| 9   | PJ4MD1   | 0             | R/W | PTJ4 Mode   |
| 8   | PJ4MD0   | 0             | R/W | 00: NF<br>01: Port output<br>10: Setting prohibited<br>11: Setting prohibited |
| 7   | PJ3MD1   | 0             | R/W | PTJ3 Mode   |
| 6   | PJ3MD0   | 0             | R/W | 00: NF<br>01: Port output<br>10: Setting prohibited<br>11: Setting prohibited |
| 5   | PJ2MD1   | 0             | R/W | PTJ2 Mode   |
| 4   | PJ2MD0   | 0             | R/W | 00: NF<br>01: Port output<br>10: Setting prohibited<br>11: Setting prohibited |
| 3   | PJ1MD1   | 0             | R/W | PTJ1 Mode   |
| 2   | PJ1MD0   | 0             | R/W | 00: NF<br>01: Port output<br>10: Setting prohibited<br>11: Setting prohibited |
| 1   | PJ0MD1   | 0             | R/W | PTJ0 Mode   |
| 0   | PJ0MD0   | 0             | R/W | 00: NF<br>01: Port output<br>10: Setting prohibited<br>11: Setting prohibited |

## 19.2.12 Port K Control Register (PKCR)

PKCR is a 16-bit readable/writable register that selects the pin function and input pull-up MOS control.

| Bit | Bit Name | Initial Value | R/W | Description  |
|-----|----------|---------------|-----|--|
| 15  | PK7MD1   | 0             | R/W | PTK7 Mode  |
| 14  | PK7MD0   | 0             | R/W | 00: Other functions (see table 19.1)<br>01: Port output<br>10: Port input (pull-up MOS: On)<br>11: Port input (pull-up MOS: Off) |
| 13  | PK6MD1   | 0             | R/W | PTK6 Mode  |
| 12  | PK6MD0   | 0             | R/W | 00: Other functions (see table 19.1)<br>01: Port output<br>10: Port input (pull-up MOS: On)<br>11: Port input (pull-up MOS: Off) |
| 11  | PK5MD1   | 0             | R/W | PTK5 Mode  |
| 10  | PK5MD0   | 0             | R/W | 00: Other functions (see table 19.1)<br>01: Port output<br>10: Port input (pull-up MOS: On)<br>11: Port input (pull-up MOS: Off) |
| 9   | PK4MD1   | 0             | R/W | PTK4 Mode  |
| 8   | PK4MD0   | 0             | R/W | 00: Other functions (see table 19.1)<br>01: Port output<br>10: Port input (pull-up MOS: On)<br>11: Port input (pull-up MOS: Off) |
| 7   | PK3MD1   | 0             | R/W | PTK3 Mode  |
| 6   | PK3MD0   | 0             | R/W | 00: Other functions (see table 19.1)<br>01: Port output<br>10: Port input (pull-up MOS: On)<br>11: Port input (pull-up MOS: Off) |
| 5   | PK2MD1   | 0             | R/W | PTK2 Mode  |
| 4   | PK2MD0   | 0             | R/W | 00: Other functions (see table 19.1)<br>01: Port output<br>10: Port input (pull-up MOS: On)<br>11: Port input (pull-up MOS: Off) |

| Bit | Bit Name | Initial Value | R/W | Description  |
|-----|----------|---------------|-----|--|
| 3   | PK1MD1   | 0             | R/W | PTK1 Mode  |
| 2   | PK1MD0   | 0             | R/W | 00: Other functions (see table 19.1)<br>01: Port output<br>10: Port input (pull-up MOS: On)<br>11: Port input (pull-up MOS: Off) |
| 1   | PK0MD1   | 0             | R/W | PTK0 Mode  |
| 0   | PK0MD0   | 0             | R/W | 00: Other functions (see table 19.1)<br>01: Port output<br>10: Port input (pull-up MOS: On)<br>11: Port input (pull-up MOS: Off) |

### 19.2.13 Port L Control Register (PLCR)

PLCR is a 16-bit readable/writable register that selects the pin function.

| Bit     | Bit Name | Initial Value | R/W | Description   |
|---------|----------|---------------|-----|---|
| 15 to 8 | —        | 0             | R   | Reserved<br>These bits are always read as 0. The write value should always be 0.  |
| 7       | PL3MD1   | 0             | R/W | PTL3 Mode   |
| 6       | PL3MD0   | 0             | R/W | 00: Other functions (see table 19.1)<br>01: Setting prohibited<br>10: Setting prohibited<br>11: Port input (pull-up MOS: Off) |
| 5       | PL2MD1   | 0             | R/W | PTL2 Mode   |
| 4       | PL2MD0   | 0             | R/W | 00: Other functions (see table 19.1)<br>01: Setting prohibited<br>10: Setting prohibited<br>11: Port input (pull-up MOS: Off) |
| 3       | PL1MD1   | 0             | R/W | PTL1 Mode   |
| 2       | PL1MD0   | 0             | R/W | 00: Other functions (see table 19.1)<br>01: Setting prohibited<br>10: Setting prohibited<br>11: Port input (pull-up MOS: Off) |
| 1       | PL0MD1   | 0             | R/W | PTL0 Mode   |
| 0       | PL0MD0   | 0             | R/W | 00: Other functions (see table 19.1)<br>01: Setting prohibited<br>10: Setting prohibited<br>11: Port input (pull-up MOS: Off) |



## 19.2.14 Port M Control Register (PMCR)

PMCR is a 16-bit readable/writable register that selects the pin function and input pull-up MOS control.

| Bit    | Bit Name | Initial Value | R/W | Description  |
|--------|----------|---------------|-----|--|
| 15, 14 | —        | 0             | R   | Reserved<br>These bits are always read as 0. The write value should always be 0.   |
| 13     | PM6MD1   | 1             | R/W | PTM6 Mode  |
| 12     | PM6MD0   | 0             | R/W | 00: Other functions (see table 19.1)<br>01: Port output<br>10: Port input (pull-up MOS: On)<br>11: Port input (pull-up MOS: Off) |
| 11, 10 | —        | 0             | R   | Reserved<br>These bits are always read as 0. The write value should always be 0.   |
| 9      | PM4MD1   | 0             | R/W | PTM4 Mode  |
| 8      | PM4MD0   | 0             | R/W | 00: NF<br>01: Setting prohibited<br>10: Port input (pull-up MOS: On)<br>11: Port input (pull-up MOS: Off)                        |
| 7      | PM3MD1   | 1             | R/W | PTM3 Mode  |
| 6      | PM3MD0   | 0             | R/W | 00: Setting prohibited<br>01: Port output<br>10: Port input (pull-up MOS: On)<br>11: Port input (pull-up MOS: Off)               |
| 5      | PM2MD1   | 1             | R/W | PTM2 Mode  |
| 4      | PM2MD0   | 0             | R/W | 00: Setting prohibited<br>01: Port output<br>10: Port input (pull-up MOS: On)<br>11: Port input (pull-up MOS: Off)               |

| Bit | Bit Name | Initial Value | R/W | Description  |
|-----|----------|---------------|-----|--|
| 3   | PM1MD1   | 1             | R/W | PTM1 Mode  |
| 2   | PM1MD0   | 0             | R/W | 00: Setting prohibited<br>01: Port output<br>10: Port input (pull-up MOS: On)<br>11: Port input (pull-up MOS: Off) |
| 1   | PM0MD1   | 1             | R/W | PTM0 Mode  |
| 0   | PM0MD0   | 0             | R/W | 00: Setting prohibited<br>01: Port output<br>10: Port input (pull-up MOS: On)<br>11: Port input (pull-up MOS: Off) |

### 19.2.15 Port N Control Register (PNCR)

PNCR is a 16-bit readable/writable register that selects the pin function and input pull-up MOS control.

| Bit | Bit Name | Initial Value | R/W | Description  |
|-----|----------|---------------|-----|--|
| 15  | PN7MD1   | 1             | R/W | PTN7 Mode  |
| 14  | PN7MD0   | 0             | R/W | 00: Setting prohibited<br>01: Port output<br>10: Port input (pull-up MOS: On)<br>11: Port input (pull-up MOS: Off)               |
| 13  | PN6MD1   | 1             | R/W | PTN6 Mode  |
| 12  | PN6MD0   | 0             | R/W | 00: Other functions (see table 19.1)<br>01: Port output<br>10: Port input (pull-up MOS: On)<br>11: Port input (pull-up MOS: Off) |
| 11  | PN5MD1   | 1             | R/W | PTN5 Mode  |
| 10  | PN5MD0   | 0             | R/W | 00: Other functions (see table 19.1)<br>01: Port output<br>10: Port input (pull-up MOS: On)<br>11: Port input (pull-up MOS: Off) |

| Bit | Bit Name | Initial Value | R/W | Description  |
|-----|----------|---------------|-----|--|
| 9   | PN4MD1   | 1             | R/W | PTN4 Mode  |
| 8   | PN4MD0   | 0             | R/W | 00: Other functions (see table 19.1)<br>01: Port output<br>10: Port input (pull-up MOS: On)<br>11: Port input (pull-up MOS: Off) |
| 7   | PN3MD1   | 1             | R/W | PTN3 Mode  |
| 6   | PN3MD0   | 0             | R/W | 00: Other functions (see table 19.1)<br>01: Port output<br>10: Port input (pull-up MOS: On)<br>11: Port input (pull-up MOS: Off) |
| 5   | PN2MD1   | 1             | R/W | PTN2 Mode  |
| 4   | PN2MD0   | 0             | R/W | 00: Other functions (see table 19.1)<br>01: Port output<br>10: Port input (pull-up MOS: On)<br>11: Port input (pull-up MOS: Off) |
| 3   | PN1MD1   | 1             | R/W | PTN1 Mode  |
| 2   | PN1MD0   | 0             | R/W | 00: Other functions (see table 19.1)<br>01: Port output<br>10: Port input (pull-up MOS: On)<br>11: Port input (pull-up MOS: Off) |
| 1   | PN0MD1   | 1             | R/W | PTN0 Mode  |
| 0   | PN0MD0   | 0             | R/W | 00: Other functions (see table 19.1)<br>01: Port output<br>10: Port input (pull-up MOS: On)<br>11: Port input (pull-up MOS: Off) |

## 19.2.16 Port N Control Register 2 (PNCR2)

PNCR2 is an 8-bit readable/writable register that selects the pin function.

| Bit | Bit Name | Initial Value | R/W | Description  |
|-----|----------|---------------|-----|--|
| 7   | —        | 0             | R   | Reserved<br>This bit is always read as 0. The write value should always be 0.  |
| 6   | PN6MD2   | 0             | R/W | PTN6 Mode 2<br>This bit is valid when the PN6MD[1:0] bits in PNCR are set to B'00 (other functions).<br>0: Setting prohibited<br>1: DPLS (USB)   |
| 5   | PN5MD2   | 0             | R/W | PTN5 Mode 2<br>This bit is valid when the PN5MD[1:0] bits in PNCR are set to B'00 (other functions).<br>0: Setting prohibited<br>1: DMNS (USB)   |
| 4   | PN4MD2   | 0             | R/W | PTN4 Mode 2<br>This bit is valid when the PN4MD[1:0] bits in PNCR are set to B'00 (other functions).<br>0: Setting prohibited<br>1: TXDPLS (USB) |
| 3   | PN3MD2   | 0             | R/W | PTN3 Mode 2<br>This bit is valid when the PN3MD[1:0] bits in PNCR are set to B'00 (other functions).<br>0: Setting prohibited<br>1: TXDMNS (USB) |
| 2   | PN2MD2   | 0             | R/W | PTN2 Mode 2<br>This bit is valid when the PN2MD[1:0] bits in PNCR are set to B'00 (other functions).<br>0: Setting prohibited<br>1: XVDATA (USB) |

| Bit | Bit Name | Initial Value | R/W | Description  |
|-----|----------|---------------|-----|--|
| 1   | PN1MD2   | 0             | R/W | PTN1 Mode 2<br>This bit is valid when the PN1MD[1:0] bits in PNCR are set to B'00 (other functions).<br>0: Setting prohibited<br>1: TXENL (USB)  |
| 0   | PN0MD2   | 0             | R/W | PTN0 Mode 2<br>This bit is valid when the PN0MD[1:0] bits in PNCR are set to B'00 (other functions).<br>0: Setting prohibited<br>1: SUSPND (USB) |

### 19.2.17 Port SC Control Register (SCPCR)

SCPCR is a 16-bit readable/writable register that selects the pin function and input pull-up MOS control. The settings of SCPCR become valid only when transmission/reception operation is disabled by the settings of SCSCR in the on-chip serial communication interface (SCIF).

When the TE bit in SCSCR\_0 or SCSCR\_2 of the SCIF is set to 1, the output status of “other functions: TxD0 or TxD2” has priority for the setting of SCPCR.

Similarly, when the RE bit in SCSCR\_0 or SCSCR\_2 is set to 1, the input status of “other functions: RxD0 or RxD2” has priority for the setting of SCPCR.

| Bit      | Bit Name | Initial Value | R/W | Description  |
|----------|----------|---------------|-----|--|
| 15 to 12 | —        | 0             | R   | Reserved<br>These bits are always read as 0. The write value should always be 0.   |
| 11       | SCP5MD1  | 0             | R/W | SCPT5 Mode   |
| 10       | SCP5MD0  | 0             | R/W | 00: Other functions (see table 19.1)<br>01: Port output<br>10: Port input (pull-up MOS: On)<br>11: Port input (pull-up MOS: Off) |

| Bit | Bit Name | Initial Value | R/W | Description   |
|-----|----------|---------------|-----|---|
| 9   | SCP4MD1  | 0             | R/W | SCPT4 Mode  |
| 8   | SCP4MD0  | 0             | R/W | 00: Other functions (see table 19.1)<br>01: Port output<br>10: Port input (pull-up MOS: On)<br>11: Port input (pull-up MOS: Off)  |
| 7   | SCP3MD1  | 0             | R/W | SCPT3 Mode  |
| 6   | SCP3MD0  | 0             | R/W | 00: Other functions (see table 19.1)<br>01: Port output<br>10: Port input (pull-up MOS: On)<br>11: Port input (pull-up MOS: Off)  |
| 5   | SCP2MD1  | 0             | R/W | SCPT2 Mode  |
| 4   | SCP2MD0  | 0             | R/W | These bits select pin function and input pull-up MOS control.<br><br>When TE = 0 and RE = 0 in SCSCR_2, operation is as follows:<br>00: Other functions (see table 19.1)<br>01: Port output<br>10: Port input (pull-up MOS: On)<br>11: Port input (pull-up MOS: Off)<br><br>When TE = 1 in SCSCR_2, the SCPT2/TxD2 pin functions as TxD2.<br><br>When RE = 1 in SCSCR_2, the SCPT2/RxD2 pin functions as RxD2.<br><br>Note: Since two pins (TxD2 and RxD2) are used to access one bit (SCPT2), there is no combination of simultaneous input/output of SCPT2.<br><br>When port input is set (when bit SCP2MD1 is set to 1), the TxD2 pin enters an output state when the TE bit in SCSCR_2 is set to 1, whereas it enters high-impedance state when the TE bit is cleared to 0. |

| Bit | Bit Name | Initial Value | R/W | Description  |
|-----|----------|---------------|-----|--|
| 3   | SCP1MD1  | 0             | R/W | SCPT1 Mode   |
| 2   | SCP1MD0  | 0             | R/W | <p>These bits select pin function and input pull-up MOS control.</p> <p>00: Other functions (see table 19.1)</p> <p>01: Port output</p> <p>10: Port input (pull-up MOS: On)</p> <p>11: Port input (pull-up MOS: Off)</p>   |
| 1   | SCP0MD1  | 0             | R/W | SCPT0 Mode   |
| 0   | SCP0MD0  | 0             | R/W | <p>These bits select pin function and input pull-up MOS control.</p> <p>When TE = 0 and RE = 0 in SCSCR_0, operation is as follows:</p> <p>00: Other functions (see table 19.1)</p> <p>01: Port output</p> <p>10: Port input (pull-up MOS: On)</p> <p>11: Port input (pull-up MOS: Off)</p> <p>When TE = 1 in SCSCR_0, the SCPT0/TxD0 pin functions as TxD0.</p> <p>When RE = 1 in SCSCR_0, the SCPT0/RxD0 pin functions as RxD0.</p> <p>Note: Since two pins (TxD0 and RxD0) are used to access one bit (SCPT0), there is no combination of simultaneous input/output of SCPT0.</p> <p>When port input is set (when bit SCP0MD1 is set to 1), the TxD0 pin enters an output state when the TE bit in SCSCR_0 is set to 1, whereas it enters high-impedance state when the TE bit is cleared to 0.</p> |



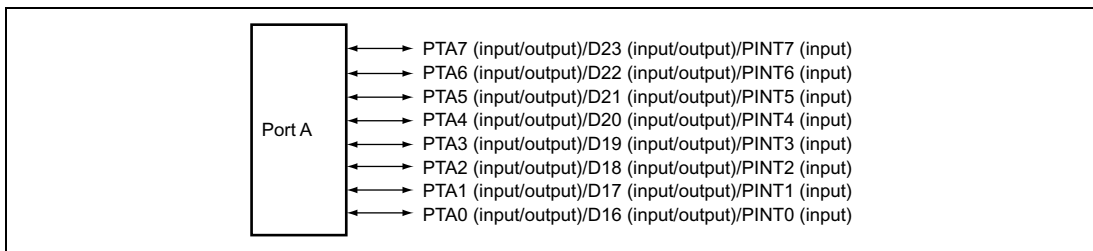


# Section 20 I/O Ports

This LSI has fourteen I/O ports (ports A to H, J to N, and SC). All port pins are multiplexed with other pin functions (the pin function controller (PFC) handles the selection of pin functions and pull-up MOS control). Each port has a data register which stores data for the pins.

## 20.1 Port A

Port A is an 8-bit input/output port with the pin configuration shown in figure 20.1. Each pin has an input pull-up MOS, which is controlled by the port A control register (PACR) in the PFC.



**Figure 20.1 Port A**

### 20.1.1 Register Description

Port A has the following register. For details on the register address and access size, see section 24, List of Registers.

- Port A data register (PADR)

## 20.1.2 Port A Data Register (PADR)

PADR is an 8-bit readable/writable register that stores data for pins PTA7 to PTA0. Bits PA7DT to PA0DT correspond to pins PTA7 to PTA0. When the pin function is general output port, if the port is read, the value of the corresponding PADR bit is returned directly. When the function is general input port, if the port is read the corresponding pin level is read.

| Bit    | Bit Name       | Initial Value | R/W | Description                            |
|--------|----------------|---------------|-----|--|
| 7 to 0 | PA7DT to PA0DT | 0             | R/W | Table 20.1 shows the function of PADR. |

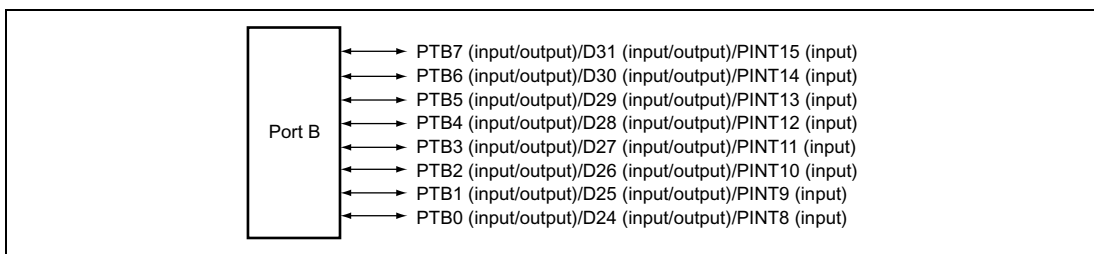
**Table 20.1 Port A Data Register (PADR) Read/Write Operations**

| PACR State |        |                         |            |   |
|------------|--------|-------------------------|------------|---|
| PAnMD1     | PAnMD0 | Pin State               | Read       | Write   |
| 0          | 0      | Other function          | PADR value | Data can be written to PADR but no effect on pin state. |
|            | 1      | Output                  | PADR value | Written data is output from the pin.                    |
| 1          | 0      | Input (Pull-up MOS on)  | Pin state  | Data can be written to PADR but no effect on pin state. |
|            | 1      | Input (Pull-up MOS off) | Pin state  | Data can be written to PADR but no effect on pin state. |

Note: n = 0 to 7

## 20.2 Port B

Port B is an 8-bit input/output port with the pin configuration shown in figure 20.2. Each pin has an input pull-up MOS, which is controlled by the port B control register (PBCR) in the PFC.



**Figure 20.2 Port B**

## 20.2.1 Register Description

Port B has the following register. For details on the register address and access size, see section 24, List of Registers.

- Port B data register (PBDR)

## 20.2.2 Port B Data Register (PBDR)

PBDR is an 8-bit readable/writable register that stores data for pins PTB7 to PTB0. Bits PB7DT to PB0DT correspond to pins PTB7 to PTB0. When the pin function is general output port, if the port is read the value of the corresponding PBDR bit is returned directly. When the function is general input port, if the port is read, the corresponding pin level is read.

| Bit    | Bit Name       | Initial Value | R/W | Description                            |
|--------|----------------|---------------|-----|--|
| 7 to 0 | PB7DT to PB0DT | 0             | R/W | Table 20.2 shows the function of PBDR. |

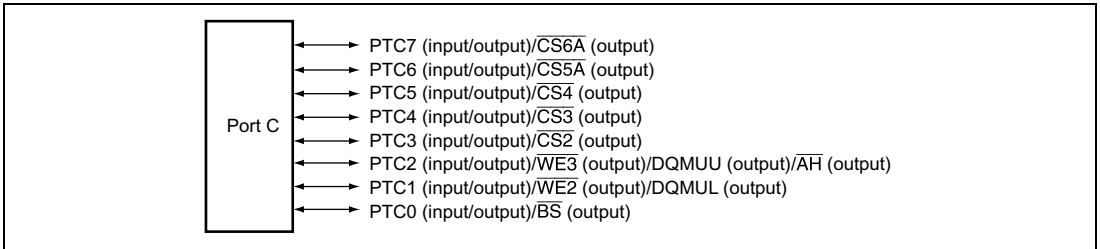
**Table 20.2 Port B Data Register (PBDR) Read/Write Operations**

| PBCR State |        |                         |            |   |
|------------|--------|-------------------------|------------|---|
| PBnMD1     | PBnMD0 | Pin State               | Read       | Write   |
| 0          | 0      | Other function          | PBDR value | Data can be written to PBDR but no effect on pin state. |
|            | 1      | Output                  | PBDR value | Written data is output from the pin.                    |
| 1          | 0      | Input (Pull-up MOS on)  | Pin state  | Data can be written to PBDR but no effect on pin state. |
|            | 1      | Input (Pull-up MOS off) | Pin state  | Data can be written to PBDR but no effect on pin state. |

Note: n = 0 to 7

## 20.3 Port C

Port C is an 8-bit input/output port with the pin configuration shown in figure 20.3. Each pin has an input pull-up MOS, which is controlled by the port C control register (PCCR) in the PFC.



**Figure 20.3 Port C**

### 20.3.1 Register Description

Port C has the following register. For details on the register address and access size, see section 24, List of Registers.

- Port C data register (PCDR)

### 20.3.2 Port C Data Register (PCDR)

PCDR is an 8-bit readable/writable register that stores data for pins PTC7 to PTC0. Bits PC7DT to PC0DT correspond to pins PTC7 to PTC0. When the pin function is general output port, if the port is read, the value of the corresponding PCDR bit is returned directly. When the function is general input port, if the port is read, the corresponding pin level is read.

| Bit    | Bit Name             | Initial Value | R/W | Description                            |
|--------|----------------------|---------------|-----|--|
| 7 to 0 | PC7DT<br>to<br>PC0DT | 0             | R/W | Table 20.3 shows the function of PCDR. |

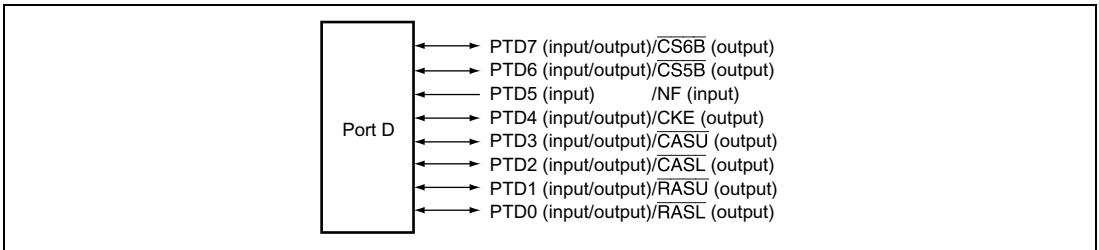
**Table 20.3 Port C Data Register (PCDR) Read/Write Operations**

| PCCR State |        |                         |            |   |
|------------|--------|-------------------------|------------|---|
| PCnMD1     | PCnMD0 | Pin State               | Read       | Write   |
| 0          | 0      | Other function          | PCDR value | Data can be written to PCDR but no effect on pin state. |
|            | 1      | Output                  | PCDR value | Written data is output from the pin.                    |
| 1          | 0      | Input (Pull-up MOS on)  | Pin state  | Data can be written to PCDR but no effect on pin state. |
|            | 1      | Input (Pull-up MOS off) | Pin state  | Data can be written to PCDR but no effect on pin state. |

Note: n = 0 to 7

## 20.4 Port D

Port D is an 8-bit input/output port with the pin configuration shown in figure 20.4. Each pin has an input pull-up MOS, which is controlled by the port D control register (PDCR) in the PFC.



**Figure 20.4 Port D**

### 20.4.1 Register Description

Port D has the following register. For details on the register address and access size, see section 24, List of Registers.

- Port D data register (PDDR)

### 20.4.2 Port D Data Register (PDDR)

PDDR is an 8-bit readable/writable register that stores data for pins PTD7 to PTD0. Bits PD7DT to PD0DT correspond to pins PTD7 to PTD0. When the pin function is general output port, if the port is read, the value of the corresponding PDDR bit is returned directly. When the function is general input port, if the port is read, the corresponding pin level is read.

| Bit    | Bit Name       | Initial Value | R/W | Description                            |
|--------|----------------|---------------|-----|--|
| 7 to 0 | PD7DT to PD0DT | 0             | R/W | Table 20.4 shows the function of PDDR. |

**Table 20.4 Port D Data Register (PDDR) Read/Write Operations**

| PDCR State |        |                         |            |   |
|------------|--------|-------------------------|------------|---|
| PDnMD1     | PDnMD0 | Pin State               | Read       | Write   |
| 0          | 0      | Other function          | PDDR value | Data can be written to PDDR but no effect on pin state. |
|            | 1      | Output                  | PDDR value | Written data is output from the pin.                    |
| 1          | 0      | Input (Pull-up MOS on)  | Pin state  | Data can be written to PDDR but no effect on pin state. |
|            | 1      | Input (Pull-up MOS off) | Pin state  | Data can be written to PDDR but no effect on pin state. |

Note: n = 0 to 4, 6, and 7

| PDCR State |        |                         |            |   |
|------------|--------|-------------------------|------------|---|
| PD5MD1     | PD5MD0 | Pin State               | Read       | Write   |
| 0          | 0      | NF                      | PDDR value | Data can be written to PDDR but no effect on pin state. |
|            | 1      | Setting Prohibited      | —          | —   |
| 1          | 0      | Input (Pull-up MOS on)  | Pin state  | Data can be written to PDDR but no effect on pin state. |
|            | 1      | Input (Pull-up MOS off) | Pin state  | Data can be written to PDDR but no effect on pin state. |

## 20.5 Port E

Port E is an 8-bit input/output port with the pin configuration shown in figure 20.5. Each pin has an input pull-up MOS, which is controlled by the port E control register (PECR) in the PFC.

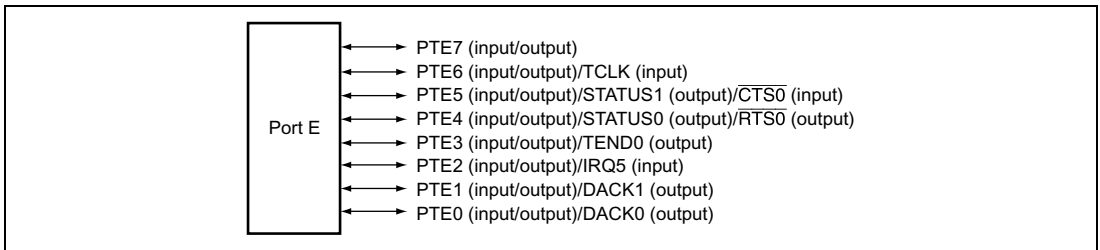


Figure 20.5 Port E

### 20.5.1 Register Description

Port E has the following register. For details on the register address and access size, see section 24, List of Registers.

- Port E data register (PEDR)

### 20.5.2 Port E Data Register (PEDR)

PEDR is an 8-bit readable/writable register that stores data for pins PTE7 to PTE0. Bits PE7DT to PE0DT correspond to pins PTE7 to PTE0. When the pin function is general output port, if the port is read, the value of the corresponding PEDR bit is returned directly. When the function is general input port, if the port is read the corresponding pin level is read.

| Bit    | Bit Name             | Initial Value | R/W | Description                            |
|--------|----------------------|---------------|-----|--|
| 7 to 0 | PE7DT<br>to<br>PE0DT | 0             | R/W | Table 20.5 shows the function of PEDR. |

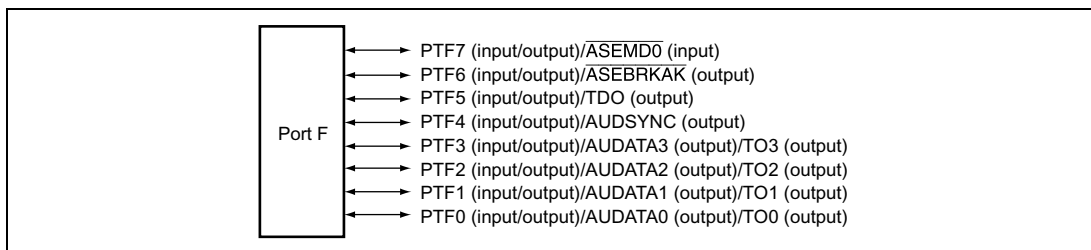
**Table 20.5 Port E Data Register (PEDR) Read/Write Operations**

| PECR State |        | Pin State               | Read       | Write   |
|------------|--------|-------------------------|------------|---|
| PEnMD1     | PEnMD0 |                         |            |   |
| 0          | 0      | Other function          | PEDR value | Data can be written to PEDR but no effect on pin state. |
|            | 1      | Output                  | PEDR value | Written data is output from the pin.                    |
| 1          | 0      | Input (Pull-up MOS on)  | Pin state  | Data can be written to PEDR but no effect on pin state. |
|            | 1      | Input (Pull-up MOS off) | Pin state  | Data can be written to PEDR but no effect on pin state. |

Note: n = 0 to 7

## 20.6 Port F

Port F is an 8-bit input port with the pin configuration shown in figure 20.6. Each pin has an input pull-up MOS, which is controlled by the port F control register (PFCR) in the PFC.



**Figure 20.6 Port F**

### 20.6.1 Register Description

Port F has the following register. For details on the register address and access size, see section 24, List of Registers.

- Port F data register (PFDR)

### 20.6.2 Port F Data Register (PFDR)

PFDR is an 8-bit readable/writable register that stores data for pins PTF7 to PTF0. Bits PF7DT to PF0DT correspond to pins PTF7 to PTF0. When the pin function is general output port, if the port is read, the value of the corresponding PFDR bit is returned directly. When the function is general input port, if the port is read the corresponding pin level is read.



| Bit    | Bit Name       | Initial Value | R/W | Description                            |
|--------|----------------|---------------|-----|--|
| 7 to 0 | PF7DT to PF0DT | 0             | R/W | Table 20.6 shows the function of PFDR. |

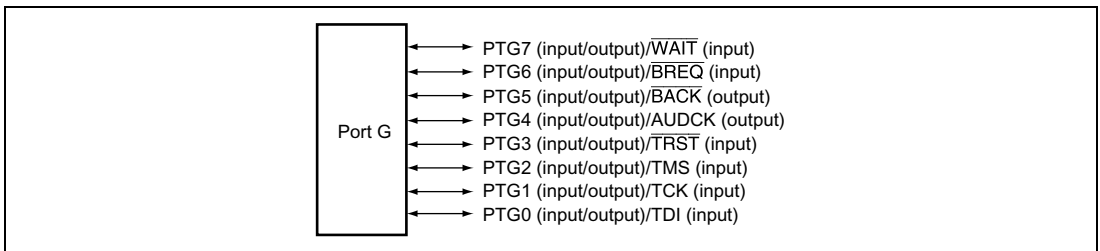
**Table 20.6 Port F Data Register (PFDR) Read/Write Operations**

| PFCR State |        |                         |            |   |
|------------|--------|-------------------------|------------|---|
| PFnMD1     | PFnMD0 | Pin State               | Read       | Write   |
| 0          | 0      | Other function          | PFDR value | Data can be written to PFDR but no effect on pin state. |
|            | 1      | Output                  | PFDR value | Written data is output from the pin.                    |
| 1          | 0      | Input (Pull-up MOS on)  | Pin state  | Data can be written to PFDR but no effect on pin state. |
|            | 1      | Input (Pull-up MOS off) | Pin state  | Data can be written to PFDR but no effect on pin state. |

Note: n = 0 to 7

## 20.7 Port G

Port G is an 8-bit input port with the pin configuration shown in figure 20.7. Each pin has an input pull-up MOS, which is controlled by the port G control register (PGCR) in the PFC.



**Figure 20.7 Port G**

### 20.7.1 Register Description

Port G has the following register. For details on the register address and access size, see section 24, List of Registers.

- Port G data register (PGDR)

## 20.7.2 Port G Data Register (PGDR)

PGDR is an 8-bit readable/writable register that stores data for pins PTG7 to PTG0. Bits PG7DT to PG0DT correspond to pins PTG7 to PTG0. When the pin function is general output port, if the port is read, the value of the corresponding PGDR bit is returned directly. When the function is general input port, if the port is read the corresponding pin level is read.

| Bit    | Bit Name       | Initial Value | R/W | Description                            |
|--------|----------------|---------------|-----|--|
| 7 to 0 | PG7DT to PG0DT | 0             | R/W | Table 20.7 shows the function of PGDR. |

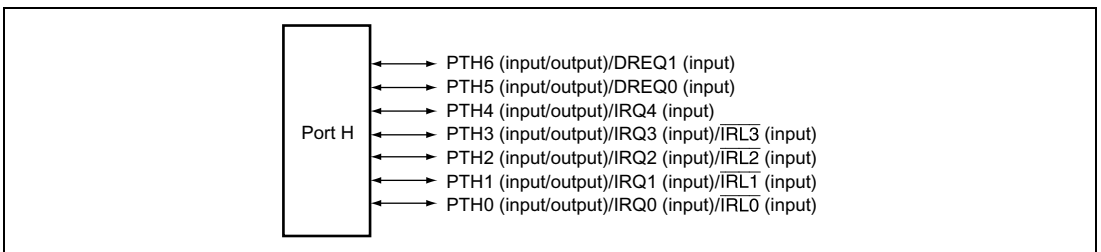
**Table 20.7 Port G Data Register (PGDR) Read/Write Operations**

| PGCR State |        |                         |            |   |
|------------|--------|-------------------------|------------|---|
| PGnMD1     | PGnMD0 | Pin State               | Read       | Write   |
| 0          | 0      | Other function          | PGDR value | Data can be written to PGDR but no effect on pin state. |
|            | 1      | Output                  | PGDR value | Written data is output from the pin.                    |
| 1          | 0      | Input (Pull-up MOS on)  | Pin state  | Data can be written to PGDR but no effect on pin state. |
|            | 1      | Input (Pull-up MOS off) | Pin state  | Data can be written to PGDR but no effect on pin state. |

Note: n = 0 to 7

## 20.8 Port H

Port H is a 7-bit input/output port with the pin configuration shown in figure 20.8. Each pin has an input pull-up MOS, which is controlled by the port H control register (PHCR) in the PFC.



**Figure 20.8 Port H**

## 20.8.1 Register Description

Port H has the following register. For details on the register address and access size, see section 24, List of Registers.

- Port H data register (PHDR)

## 20.8.2 Port H Data Register (PHDR)

PHDR is an 8-bit readable/writable register that stores data for pins PTH6 to PTH0. Bits PH6DT to PH0DT correspond to pins PTH6 to PTH0. When the pin function is general output port, if the port is read, the value of the corresponding PHDR bit is returned directly. When the function is general input port, if the port is read, the corresponding pin level is read.

| Bit    | Bit Name       | Initial Value | R/W | Description   |
|--------|----------------|---------------|-----|---|
| 7      | —              | 0             | R   | Reserved<br>This bit is always read as 0. The write value should always be 0. |
| 6 to 0 | PH6DT to PH0DT | 0             | R/W | Table 20.8 shows the function of PHDR.  |

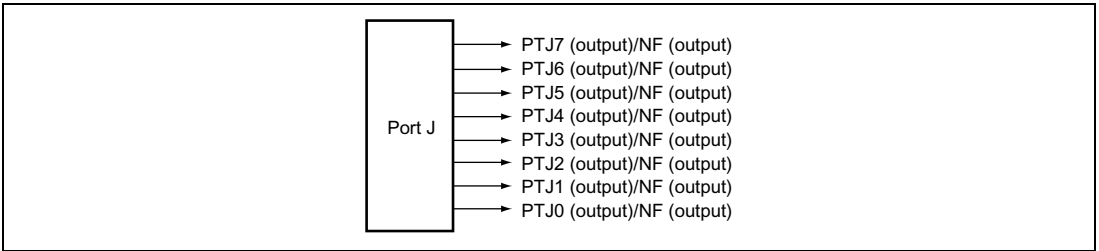
**Table 20.8 Port H Data Register (PHDR) Read/Write Operations**

| PHCR State |        |                         |            |   |
|------------|--------|-------------------------|------------|---|
| PHnMD1     | PHnMD0 | Pin State               | Read       | Write   |
| 0          | 0      | Other function          | PHDR value | Data can be written to PHDR but no effect on pin state. |
|            | 1      | Output                  | PHDR value | Written data is output from the pin.                    |
| 1          | 0      | Input (Pull-up MOS on)  | Pin state  | Data can be written to PHDR but no effect on pin state. |
|            | 1      | Input (Pull-up MOS off) | Pin state  | Data can be written to PHDR but no effect on pin state. |

Note: n = 0 to 6

## 20.9 Port J

Port J is an 8-bit output port with the pin configuration shown in figure 20.9.



**Figure 20.9 Port J**

### 20.9.1 Register Description

Port J has the following register. For details on the register address and access size, see section 24, List of Registers.

- Port J data register (PJDR)

### 20.9.2 Port J Data Register (PJDR)

PJDR is an 8-bit readable/writable register that stores data for pins PTJ7 to PTJ0. Bits PJ7DT to PJ0DT correspond to pins PTJ7 to PTJ0. When the pin function is general output port, if the port is read, the value of the corresponding PJDR bit is returned directly.

| Bit    | Bit Name             | Initial Value | R/W | Description                            |
|--------|----------------------|---------------|-----|--|
| 7 to 0 | PJ7DT<br>to<br>PJ0DT | 0             | R/W | Table 20.9 shows the function of PJDR. |

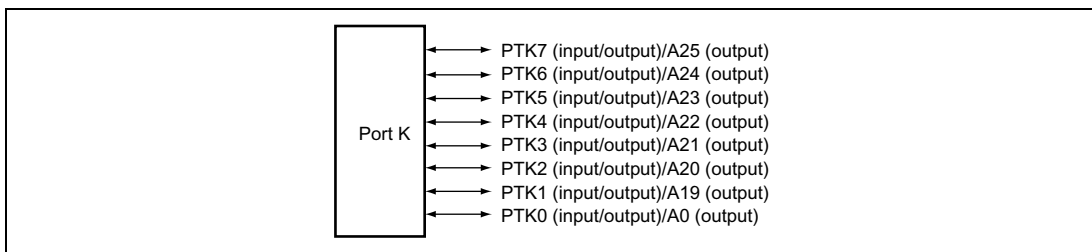
**Table 20.9 Port J Data Register (PJDR) Read/Write Operations**

| PJCR State |        | Pin State          | Read       | Write   |
|------------|--------|--------------------|------------|---|
| PJnMD1     | PJnMD0 |                    |            |   |
| 0          | 0      | NF                 | PJDR value | Data can be written to PJDR but no effect on pin state. |
|            | 1      | Output             | PJDR value | Written data is output from the pin.                    |
| 1          | 0      | Setting Prohibited | —          | —   |
|            | 1      | Setting Prohibited | —          | —   |

Note: n = 0 to 7

## 20.10 Port K

Port K is an 8-bit input/output port with the pin configuration shown in figure 20.10. Each pin has an input pull-up MOS, which is controlled by the port K control register (PKCR) in the PFC.



**Figure 20.10 Port K**

### 20.10.1 Register Description

Port K has the following register. For details on the register address and access size, see section 24, List of Registers.

- Port K data register (PKDR)

### 20.10.2 Port K Data Register (PKDR)

PKDR is an 8-bit readable/writable register that stores data for pins PTK7 to PTK0. Bits PK7DT to PK0DT correspond to pins PTK7 to PTK0. When the pin function is general output port, if the port is read, the value of the corresponding PKDR bit is returned directly. When the function is general input port, if the port is read, the corresponding pin level is read.

| Bit    | Bit Name             | Initial Value | R/W | Description                             |
|--------|----------------------|---------------|-----|---|
| 7 to 0 | PK7DT<br>to<br>PK0DT | 0             | R/W | Table 20.10 shows the function of PKDR. |

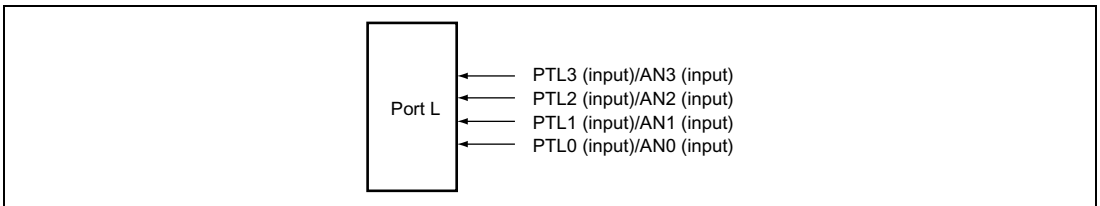
**Table 20.10 Port K Data Register (PKDR) Read/Write Operations**

| PKCR State |        |                         |            |   |
|------------|--------|-------------------------|------------|---|
| PKnMD1     | PKnMD0 | Pin State               | Read       | Write   |
| 0          | 0      | Other function          | PKDR value | Data can be written to PKDR but no effect on pin state. |
|            | 1      | Output                  | PKDR value | Written data is output from the pin.                    |
| 1          | 0      | Input (Pull-up MOS on)  | Pin state  | Data can be written to PKDR but no effect on pin state. |
|            | 1      | Input (Pull-up MOS off) | Pin state  | Data can be written to PKDR but no effect on pin state. |

Note: n = 0 to 7

## 20.11 Port L

Port L is a 4-bit input port with the pin configuration shown in figure 20.11.



**Figure 20.11 Port L**

### 20.11.1 Register Description

Port L has the following register. For details on the register address and access size, see section 24, List of Registers.

- Port L data register (PLDR)

## 20.11.2 Port L Data Register (PLDR)

PLDR is an 8-bit read-only register that stores data for pins PTL3 to PTL0. Bits PL3DT to PL0DT correspond to pins PTL3 to PTL0. If the port is read, the corresponding pin level is read.

| Bit    | Bit Name             | Initial Value | R/W | Description                                  |
|--------|----------------------|---------------|-----|--|
| 7 to 4 | —                    | 0             | R   | Reserved<br>These bits are always read as 0. |
| 3 to 0 | PL3DT<br>to<br>PL0DT | 0             | R   | Table 20.11 shows the function of PLDR.      |

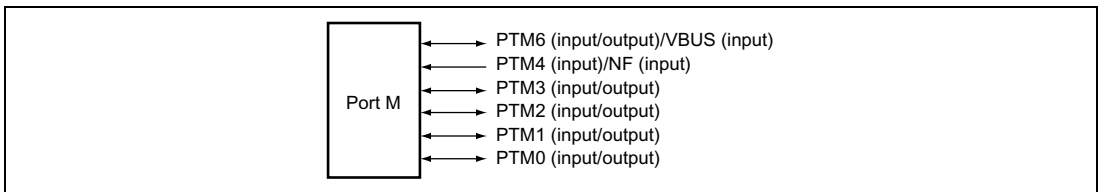
**Table 20.11 Port L Data Register (PLDR) Read/Write Operation**

| PLCR State |        |                         |           |                                  |
|------------|--------|-------------------------|-----------|----------------------------------|
| PLnMD1     | PLnMD0 | Pin State               | Read      | Write                            |
| 0          | 0      | Other function          | Read as 0 | Invalid (no effect on pin state) |
|            | 1      | Setting prohibited      | —         | —                                |
| 1          | 0      | Setting prohibited      | —         | —                                |
|            | 1      | Input (Pull-up MOS off) | Pin state | Invalid (no effect on pin state) |

Note: n = 0 to 3

## 20.12 Port M

Port M is a 6-bit input/output port with the pin configuration shown in figure 20.12. Each pin has an input pull-up MOS, which is controlled by the port M control register (PMCR) in the PFC.



**Figure 20.12 Port M**

## 20.12.1 Register Description

Port M has the following register. For details on the register address and access size, see section 24, List of Registers.

- Port M data register (PMDR)

## 20.12.2 Port M Data Register (PMDR)

PMDR is an 8-bit readable/writable register that stores data for pins PTM6 and PTM4 to PTM0. Bits PM6DT and PM4DT to PM0DT correspond to pins PTM6 and PTM4 to PTM0. When the pin function is general output port, if the port is read, the value of the corresponding PMDR bit is returned directly. When the function is general input port, if the port is read, the corresponding pin level is read.

| Bit    | Bit Name       | Initial Value | R/W | Description   |
|--------|----------------|---------------|-----|---|
| 7      | —              | 0             | R   | Reserved<br>This bit is always read as 0. The write value should always be 0. |
| 6      | PM6DT          | 0             | R/W | Table 20.12 shows the function of PMDR.                                       |
| 5      | —              | 0             | R   | Reserved<br>This bit is always read as 0. The write value should always be 0. |
| 4 to 0 | PM4DT to PM0DT | 0             | R/W | Table 20.12 shows the function of PMDR.                                       |

**Table 20.12 Port M Data Register (PMDR) Read/Write Operations**

| PMCR State |        |                         |            |   |
|------------|--------|-------------------------|------------|---|
| PMnMD1     | PMnMD0 | Pin State               | Read       | Write   |
| 0          | 0      | Other function          | PMDR value | Data can be written to PMDR but no effect on pin state. |
|            | 1      | Output                  | PMDR value | Written data is output from the pin.                    |
| 1          | 0      | Input (Pull-up MOS on)  | Pin state  | Data can be written to PMDR but no effect on pin state. |
|            | 1      | Input (Pull-up MOS off) | Pin state  | Data can be written to PMDR but no effect on pin state. |

Note: n = 0 to 3 and 6



| PMCR State |        |                         |            |   |
|------------|--------|-------------------------|------------|---|
| PM4MD1     | PM4MD0 | Pin State               | Read       | Write   |
| 0          | 0      | NF                      | PMDR value | Data can be written to PMDR but no effect on pin state. |
|            | 1      | Setting Prohibited      | PMDR value | Written data is output from the pin.                    |
| 1          | 0      | Input (Pull-up MOS on)  | Pin state  | Data can be written to PMDR but no effect on pin state. |
|            | 1      | Input (Pull-up MOS off) | Pin state  | Data can be written to PMDR but no effect on pin state. |

## 20.13 Port N

Port N is an 8-bit input/output port with the pin configuration shown in figure 20.13. Each pin has an input pull-up MOS, which is controlled by the port N control register (PNCR) in the PFC.

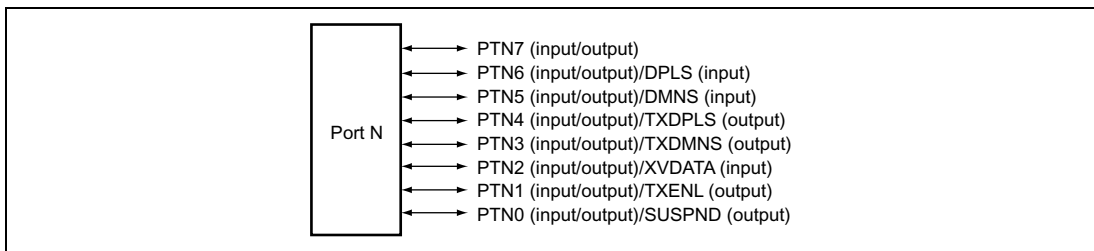


Figure 20.13 Port N

### 20.13.1 Register Description

Port N has the following register. For details on the register address and access size, see section 24, List of Registers.

- Port N data register (PNDR)

### 20.13.2 Port N Data Register (PNDR)

PNDR is an 8-bit readable/writable register that stores data for pins PTN7 to PTN0. Bits PN7DT to PN0DT correspond to pins PTN7 to PTN0. When the pin function is general output port, if the port is read, the value of the corresponding PNDR bit is returned directly. When the function is general input port, if the port is read, the corresponding pin level is read.

| Bit    | Bit Name             | Initial Value | R/W | Description                             |
|--------|----------------------|---------------|-----|---|
| 7 to 0 | PN7DT<br>to<br>PN0DT | 0             | R/W | Table 20.13 shows the function of PNDR. |

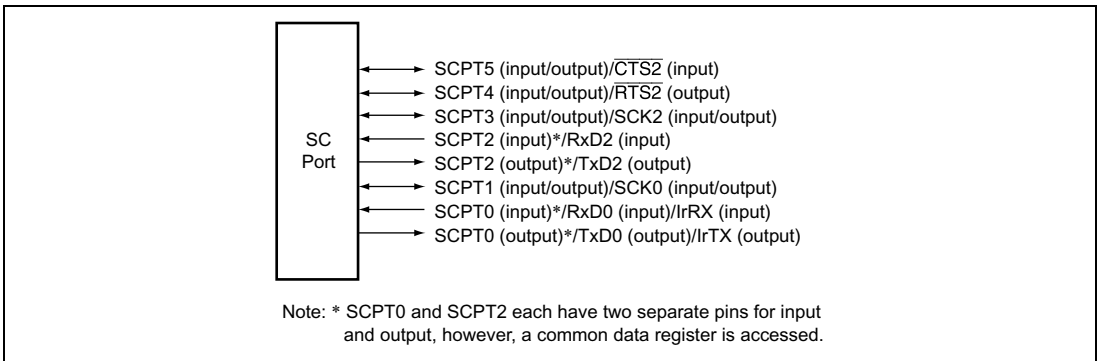
**Table 20.13 Port N Data Register (PNDR) Read/Write Operations**

| PNCR State |        |                         |            |   |
|------------|--------|-------------------------|------------|---|
| PNnMD1     | PNnMD0 | Pin State               | Read       | Write   |
| 0          | 0      | Other function          | PNDR value | Data can be written to PNDR but no effect on pin state. |
|            | 1      | Output                  | PNDR value | Written data is output from the pin.                    |
| 1          | 0      | Input (Pull-up MOS on)  | Pin state  | Data can be written to PNDR but no effect on pin state. |
|            | 1      | Input (Pull-up MOS off) | Pin state  | Data can be written to PNDR but no effect on pin state. |

Note: n = 0 to 7

## 20.14 SC Port

The SC port is an 8-bit input/output port with the pin configuration shown in figure 20.14. Each pin has an input pull-up MOS, which is controlled by the SC port control register (SCPCR) in the PFC.



**Figure 20.14 SC Port**

## 20.14.1 Register Description

Port SC has the following register. For details on the register address and access size, see section 24, List of Registers.

- SC port data register (SCPDR)

## 20.14.2 Port SC Data Register (SCPDR)

SCPDR is an 8-bit readable/writable that stores data for pins SCPT5 to SCPT0. Bits SCP5DT to SCP0DT correspond to pins SCPT5 to SCPT0. When the pin function is general output port, if the port is read, the value of the corresponding SCPDR bit is returned directly. When the function is general input port, if the port is read, the corresponding pin level is read.

When the RE bit of SCSCR\_2 or SCSCR\_0 in the serial communication interface with FIFO (SCIF) is set to 1, the RxD2 and RxD0 pins become input pins, and their states can be read regardless of the setting of SCPDR.

| Bit    | Bit Name         | Initial Value | R/W | Description  |
|--------|------------------|---------------|-----|--|
| 7, 6   | —                | 0             | R   | Reserved<br>These bits are always read as 0. The write value should always be 0. |
| 5 to 0 | SCP5DT to SCP0DT | 0             | R/W | Table 20.14 shows the function of SCPDR.   |

**Table 20.14 SC Port Data Register (SCPDR) Read/Write Operations**

- SCP1DR and SCP3DR to SCP5DR

| SCPnMD1 |         | SCPnMD0                 |             | SCPCR State  |  |
|---------|---------|-------------------------|-------------|--|--|
| SCPnMD1 | SCPnMD0 | Pin State               | Read        | Write  |  |
| 0       | 0       | Other function          | SCPDR value | Data can be written to SCPDR but no effect on pin state. |  |
|         | 1       | Output                  | SCPDR value | Written data is output from the pin.                     |  |
| 1       | 0       | Input (Pull-up MOS on)  | Pin state   | Data can be written to SCPDR but no effect on pin state. |  |
|         | 1       | Input (Pull-up MOS off) | Pin state   | Data can be written to SCPDR but no effect on pin state. |  |

Note: n = 1 and 3 to 5

- SCP0DR and SCP2DR

### SCPCR State

| SCPnMD1 | SCPnMD0 | Pin State  | Read          | Write  |
|---------|---------|--|---------------|--|
| 0       | 0       | Other function   | Prohibited    | Prohibited   |
|         | 1       | TxD: Output<br>RxD: Input (cannot be read)                 | SCPDR value   | Written data is output on TxD pin.                       |
| 1       | 0       | TxD: Output high impedance<br>RxD: Input (Pull-up MOS on)  | RxD pin state | Data can be written to SCPDR but no effect on pin state. |
|         | 1       | TxD: Output high impedance<br>RxD: Input (Pull-up MOS off) | RxD pin state | Data can be written to SCPDR but no effect on pin state. |

Note: n = 0 and 2

The operations are not guaranteed when read and write operations are prohibited.

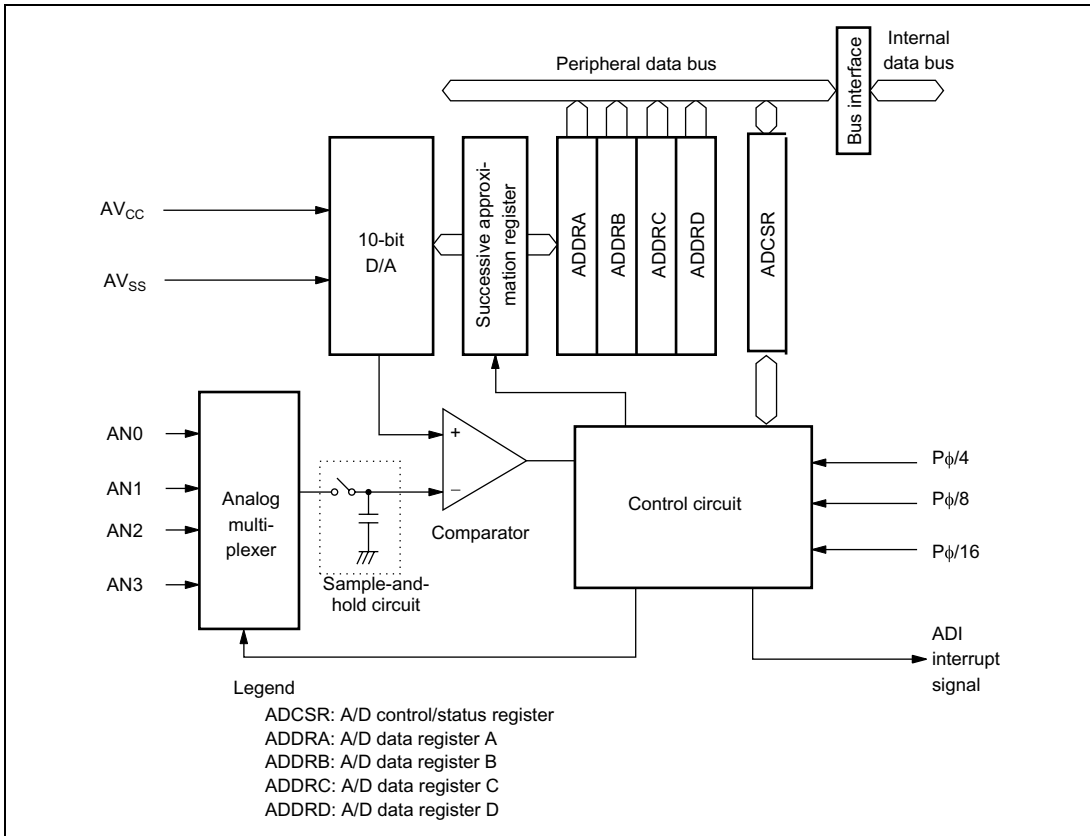
# Section 21 A/D Converter

This LSI includes a 10-bit successive-approximation A/D converter allowing selection of up to four analog input channels.

## 21.1 Features

- 10-bit resolution
- Four input channels
- Minimum conversion time: 8.5  $\mu$ s per channel ( $P\phi = 33$  MHz operation)
- Three conversion modes
  - Single mode: A/D conversion on one channel
  - Multi mode: A/D conversion on one to four channels
  - Scan mode: Continuous A/D conversion on one to four channels
- Four 16-bit data registers
  - A/D conversion results are transferred for storage into 16-bit data registers corresponding to the channels.
- Sample-and-hold function
- Interrupt source
  - At the end of A/D conversion, an A/D conversion end interrupt (ADI) can be requested.
- Module standby mode can be set

Figure 21.1 shows a block diagram of the A/D converter.



**Figure 21.1 Block Diagram of A/D Converter**

## 21.2 Input/Output Pins

Table 21.1 summarizes the A/D converter's pins. The  $AV_{CC}$  and  $AV_{SS}$  pins are the power supply for the analog circuits in the A/D converter. The  $AV_{CC}$  pin also functions as the A/D conversion reference voltage pin.

**Table 21.1 Pin Configuration**

| Pin Name            | Abbreviation | Input/<br>Output | Function   |
|---------------------|--------------|------------------|--|
| Analog power supply | $AV_{CC}$    | Input            | Analog power supply and reference voltage for A/D conversion |
| Analog ground       | $AV_{SS}$    | Input            | Analog ground and reference voltage for A/D conversion       |
| Analog input 0      | AN0          | Input            | Analog input 0   |
| Analog input 1      | AN1          | Input            | Analog input 1   |
| Analog input 2      | AN2          | Input            | Analog input 2   |
| Analog input 3      | AN3          | Input            | Analog input 3   |

## 21.3 Register Descriptions

The A/D converter has the following registers. For more information on addresses of registers and register states in the processing, see section 24, List of Registers.

- A/D data register A (ADDRA)
- A/D data register B (ADDRB)
- A/D data register C (ADDRC)
- A/D data register D (ADDRD)
- A/D control/status register (ADCSR)

### 21.3.1 A/D Data Registers A to D (ADDRA to ADDR D)

The four A/D data registers (ADDRA to ADDR D) are 16-bit read-only registers that store the results of A/D conversion. Table 21.2 indicates the pairings of analog input channels and A/D data registers that store the results of A/D conversion.

An A/D conversion produces 10-bit data, which is transferred for storage into bits 15 to 6 in the A/D data register corresponding to the selected channel. Bits 5 to 0 of an A/D data register are reserved bits that are always read as 0.

The A/D data registers are initialized to H'0000.

**Table 21.2 Analog Input Channels and A/D Data Registers**

| Analog Input Channel | A/D Data Register that Store Results of A/D Conversion |
|----------------------|--|
| AN0                  | ADDRA  |
| AN1                  | ADDRB  |
| AN2                  | ADDRC  |
| AN3                  | ADDRD  |

### 21.3.2 A/D Control/Status Registers (ADCSR)

ADCSR is a 16-bit readable/writable register that selects the mode and controls the A/D converter.

| Bit | Bit Name | Initial Value | R/W    | Description  |
|-----|----------|---------------|--------|--|
| 15  | ADF      | 0             | R/(W)* | <p>A/D End Flag</p> <p>Indicates the end of A/D conversion.</p> <p>[Setting conditions]</p> <p>Single mode: A/D conversion ends</p> <p>Multi mode: A/D conversion ends cycling through the selected channels</p> <p>Scan mode: A/D conversion ends cycling through the selected channels</p> <p>[Clearing conditions]</p> <p>(1) Reading ADF while ADF = 1, then writing 0 to ADF</p> <p>(2) DMAC is activated by ADI interrupt and ADDR is read</p> <p>Note: * Clear this bit by writing 0. Writing 1 is ignored.</p> |



| Bit     | Bit Name | Initial Value | R/W | Description   |
|---------|----------|---------------|-----|---|
| 14      | ADIE     | 0             | R/W | <p>A/D Interrupt Enable</p> <p>Enables or disables the interrupt (ADI) requested by ADF. Set the ADIE bit while the ADST bit is 0.</p> <p>0: Interrupt (ADI) requested by ADF is disabled<br/>1: Interrupt (ADI) requested by ADF is enabled</p>  |
| 13      | ADST     | 0             | R/W | <p>A/D Start</p> <p>Starts or stops A/D conversion. The ADST bit remains set to 1 during A/D conversion.</p> <p>0: A/D conversion is stopped.<br/>1: Single mode:<br/>A/D conversion starts; ADST is automatically cleared to 0 when conversion ends on selected channels.<br/>Multi mode:<br/>A/D conversion starts; when conversion is completed cycling through the selected channels, ADST is automatically cleared.<br/>Scan mode:<br/>A/D conversion starts and continues, A/D conversion is continuously performed until ADST is cleared to 0 by software, by a reset, or by a transition to standby mode.</p> |
| 12      | DMASL    | 0             | R/W | <p>DMAC Select</p> <p>Selects an interrupt due to ADF or activation of the DMAC. Set the DMASL bit while the ADST bit is 0.</p> <p>0: An interrupt by ADF is selected.<br/>1: Activation of the DMAC by ADF is selected.</p>  |
| 11 to 8 | —        | 0             | R   | <p>Reserved</p> <p>These bits are always read as 0. The write value should always be 0.</p>   |

| Bit         | Bit Name                | Initial Value | R/W | Description   |             |                         |         |     |         |          |         |            |         |            |
|-------------|-------------------------|---------------|-----|---|-------------|-------------------------|---------|-----|---------|----------|---------|------------|---------|------------|
| 7           | CKS1                    | 0             | R/W | Clock Select  |             |                         |         |     |         |          |         |            |         |            |
| 6           | CKS0                    | 1             | R/W | <p>Selects the A/D conversion time. Clear the ADST bit to 0 before changing the conversion time.</p> <p>00: Conversion time = 151 states (maximum) at P<math>\phi</math>/4<br/> 01: Conversion time = 285 states (maximum) at P<math>\phi</math>/8<br/> 10: Conversion time = 545 states (maximum) at P<math>\phi</math>/16<br/> 11: Setting prohibited</p> <p>Note: If the minimum conversion time is not satisfied, lack of accuracy or abnormal operation may occur.</p> |             |                         |         |     |         |          |         |            |         |            |
| 5           | MULTI1                  | 0             | R/W | Mode Select   |             |                         |         |     |         |          |         |            |         |            |
| 4           | MULTI0                  | 0             | R/W | <p>Selects single mode, multi mode, or scan mode.</p> <p>00: Single mode<br/> 01: Setting prohibited<br/> 10: Multi mode<br/> 11: Scan mode</p>   |             |                         |         |     |         |          |         |            |         |            |
| 3           | —                       | 0             | R   | Reserved  |             |                         |         |     |         |          |         |            |         |            |
| 2           | —                       | 0             | R   | These bits are always read as 0. The write value should always be 0.  |             |                         |         |     |         |          |         |            |         |            |
| 1           | CH1                     | 0             | R/W | Channel Select  |             |                         |         |     |         |          |         |            |         |            |
| 0           | CH0                     | 0             | R/W | <p>These bits and the MULTI bit select the analog input channels. Clear the ADST bit to 0 before changing the channel selection.</p> <table> <tr> <td>Single mode</td> <td>Multi mode or scan mode</td> </tr> <tr> <td>00: AN0</td> <td>AN0</td> </tr> <tr> <td>01: AN1</td> <td>AN0, AN1</td> </tr> <tr> <td>10: AN2</td> <td>AN0 to AN2</td> </tr> <tr> <td>11: AN3</td> <td>AN0 to AN3</td> </tr> </table>   | Single mode | Multi mode or scan mode | 00: AN0 | AN0 | 01: AN1 | AN0, AN1 | 10: AN2 | AN0 to AN2 | 11: AN3 | AN0 to AN3 |
| Single mode | Multi mode or scan mode |               |     |   |             |                         |         |     |         |          |         |            |         |            |
| 00: AN0     | AN0                     |               |     |   |             |                         |         |     |         |          |         |            |         |            |
| 01: AN1     | AN0, AN1                |               |     |   |             |                         |         |     |         |          |         |            |         |            |
| 10: AN2     | AN0 to AN2              |               |     |   |             |                         |         |     |         |          |         |            |         |            |
| 11: AN3     | AN0 to AN3              |               |     |   |             |                         |         |     |         |          |         |            |         |            |

## 21.4 Operation

The A/D converter operates by successive approximations with 10-bit resolution. It has three operating modes: single mode, multi mode, and scan mode. To avoid malfunction, switch operating modes while the ADST bit of ADCSR is 0. Changing operating modes and channels and setting the ADST bit can be performed simultaneously.

### 21.4.1 Single Mode

Single mode should be selected when only one A/D conversion on one channel is required.

1. A/D conversion of the selected channel starts when the ADST bit of ADCSR is set to 1 by software.
2. When conversion ends, the conversion results are transmitted to the A/D data register that corresponds to the channel.
3. When conversion ends, the ADF bit of ADCSR is set to 1. If the ADIE bit is also set to 1, an ADI interrupt is requested at this time.
4. The ADST bit holds 1 during A/D conversion. When A/D conversion is completed, the ADST bit is cleared to 0 and the A/D converter becomes idle. When the ADST bit is cleared to 0 during A/D conversion, the conversion is halted and the A/D converter becomes idle. To clear the ADF flag to 0, first read ADF, then write 0 to ADF.

### 21.4.2 Multi Mode

Multi mode should be selected when performing A/D conversions on one or more channels.

1. When the ADST bit is set to 1 by software, A/D conversion starts with the smaller number of the analog input channel in the group (for instance, AN0, and AN1 to AN3).
2. When conversion of each channel ends, the conversion results are transmitted to the A/D data register that corresponds to the channel.
3. When conversion of all selected channels ends, the ADF bit of ADCSR is set to 1. If the ADIE bit is also set to 1, an ADI interrupt is requested at this time.
4. When A/D conversion is completed, the ADST bit is cleared to 0 and the A/D converter becomes idle. When the ADST bit is cleared to 0 during A/D conversion, the conversion is halted and the A/D converter becomes idle. To clear the ADF flag to 0, first read ADF, then write 0 to ADF.

### 21.4.3 Scan Mode

Scan mode should be selected when performing A/D conversions of analog inputs on one or more specified channels. Scan mode is useful for monitoring analog inputs.

1. When the ADST bit is set to 1 by software, A/D conversion starts with the smaller number of the analog input channel in the group (for instance, AN0, and AN1 to AN3).
2. When conversion of each channel ends, the conversion results are transmitted to the A/D data register that corresponds to the channel.
3. When conversion of all selected channels ends, the ADF bit of ADCSR is set to 1. If the ADIE bit is also set to 1, an ADI interrupt is requested at this time. A/D conversion then starts with the smaller number of the analog input channel.
4. The ADST bit is not automatically cleared to 0. When the ADST bit is set to 1, steps 2 and 3 above are repeated. When the ADST bit is cleared to 0, the conversion is halted and the A/D converter becomes idle.

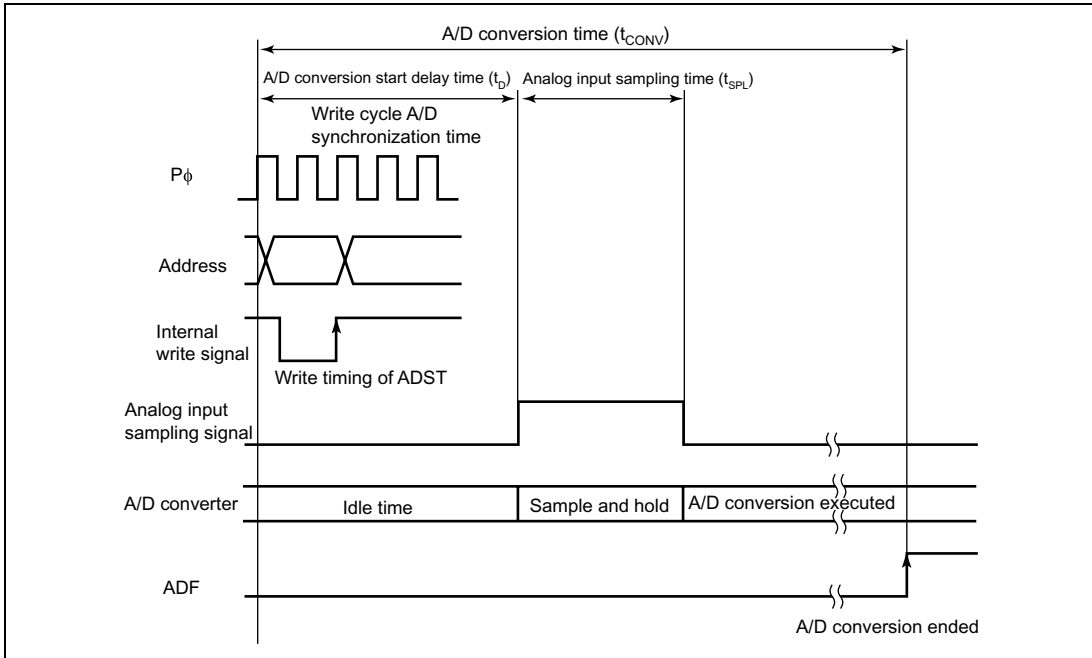
To clear the ADF flag to 0, first read ADF, then write 0 to ADF.

### 21.4.4 Input Sampling and A/D Conversion Time

The A/D converter has a built-in sample-and-hold circuit. The A/D converter samples the analog input at an A/D conversion start delay time  $t_D$  after the ADST bit is set to 1, then starts conversion. Figure 21.2 shows the A/D conversion timing. Table 21.3 indicates the A/D conversion time.

As indicated in figure 21.2, the A/D conversion time ( $t_{CONV}$ ) includes  $t_D$  and the input sampling time ( $t_{SPL}$ ). The length of  $t_D$  varies depending on the timing of the write access to ADCSR. The total conversion time therefore varies within the ranges indicated in table 21.3.

In multi mode and scan mode, the values given in table 21.3 apply to the first conversion. In the second and subsequent conversions, the values given in table 21.4 apply to the first conversion.



**Figure 21.2 A/D Conversion Timing**

**Table 21.3 A/D Conversion Time (Single Mode)**

|                            | Symbol     | CKS1 = 1,<br>CKS0 = 0 |     |     | CKS1 = 0,<br>CKS0 = 1 |     |     | CKS1 = 0,<br>CKS0 = 0 |     |     |
|----------------------------|------------|-----------------------|-----|-----|-----------------------|-----|-----|-----------------------|-----|-----|
|                            |            | Min                   | Typ | Max | Min                   | Typ | Max | Min                   | Typ | Max |
| A/D conversion start delay | $t_D$      | 18                    | —   | 21  | 10                    | —   | 13  | 6                     | —   | 9   |
| Input sampling time        | $t_{SPL}$  | —                     | 129 | —   | —                     | 65  | —   | —                     | 33  | —   |
| A/D conversion time        | $t_{CONV}$ | 535                   | —   | 545 | 275                   | —   | 285 | 141                   | —   | 151 |

Note: Values in the table are numbers of states for Pφ.

**Table 21.4 A/D Conversion Time (Multi Mode and Scan Mode)**

| CKS1 | CKS0 | Conversion Time (cycles) |
|------|------|--------------------------|
| 0    | 0    | 128 (fixed)              |
| 0    | 1    | 256 (fixed)              |
| 1    | 0    | 512 (fixed)              |
| 1    | 1    | Unused                   |

## 21.5 Interrupts and DMAC Transfer Request

The A/D converter generates an interrupt (ADI) at the end of A/D conversion. The ADI interrupt request is enabled when ADF in ADCSR is set to 1 and the ADIE bit in ADCSR is set to 1 after A/D conversion. The ADI interrupt can activate the direct memory access controller (DMAC) by setting the ADIE and DMASL bits to 1. Continuous conversion without loads of software is enabled by reading data that has been converted by the ADI interrupt with DMAC.

When activating DMAC by ADI, the ADF bit in ADCSR is automatically cleared to 0 at DMAC data transfer.

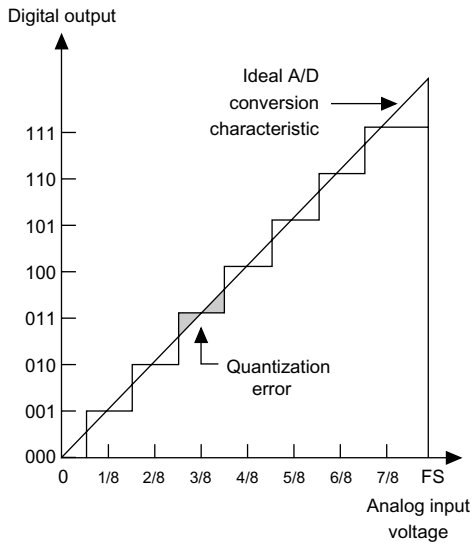
**Table 21.5 A/D Converter Interrupt Source**

| Name | Interrupt source   | Interrupt flag | DMAC activation |
|------|--------------------|----------------|-----------------|
| ADI  | A/D conversion end | ADF            | Yes             |

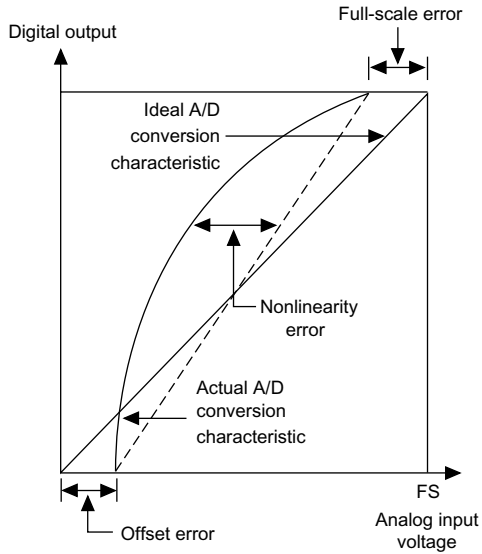
## 21.6 Definitions of A/D Conversion Accuracy

The following shows the definitions of A/D conversion accuracy. In the figure, the 10 bits of the A/D converter have been simplified to 3 bits.

- Resolution  
Digital output code number of the A/D converter
- Quantization error  
Intrinsic error of the A/D converter and is expressed as 1/2 LSB (figure 21.3)
- Offset error  
Deviation between analog input voltage and ideal A/D conversion characteristics when the digital output value changes from the minimum (zero voltage) 000000000 (H'00; 000 in figure 21.3) to 000000001 (H'01; 001 in figure 21.3) (figure 21.4)
- Full-scale error  
Deviation between analog input voltage and ideal A/D conversion characteristics when the digital output value changes from the 111111110 (H'3EF; 110 in figure 21.3) to the maximum 111111111 (H'3FF; 111 in figure 21.3) (figure 21.4).
- Nonlinearity error  
Deviation between analog input voltage and ideal A/D conversion characteristics between zero voltage and full-scale voltage (figure 21.4). Note that it does not include offset, full-scale, or quantization error.
- Absolute accuracy  
Deviation between analog and digital input values. Note that it includes offset, full-scale, quantization, or nonlinearity error.



**Figure 21.3** Definitions of A/D Conversion Accuracy



**Figure 21.4** Definitions of A/D Conversion Accuracy

## 21.7 Usage Notes

### 21.7.1 Allowable Signal-Source Impedance

For the analog input design of this LSI, conversion accuracy is guaranteed for an input signal with signal-source impedance of  $5\text{ k}\Omega$  or less. The specification is for charging input capacitance of the sample and hold circuit of the A/D converter within sampling time. When the output impedance of the sensor exceeds  $5\text{ k}\Omega$ , conversion accuracy is not guaranteed due to insufficient charging. If large external capacitance is set at conversion in single mode, signal-source impedance is ignored since input load is only internal input resistance of  $3\text{ k}\Omega$ . However, an analog signal with large differential coefficient ( $5\text{ mV}/\mu\text{s}$  or greater) cannot be followed up because of a low-pass filter (figure 21.5). When converting high-speed analog signals or converting in scan mode, insert a low-impedance buffer.

### 21.7.2 Influence to Absolute Accuracy

By adding capacitance, absolute accuracy may be degraded if noise is on GND because there is coupling with GND. Therefore, connect electrically stable GND such as AVcc to prevent absolute accuracy from being degraded.

A filter circuit must not interfere with digital signals, or must not be an antenna on a mounting board.

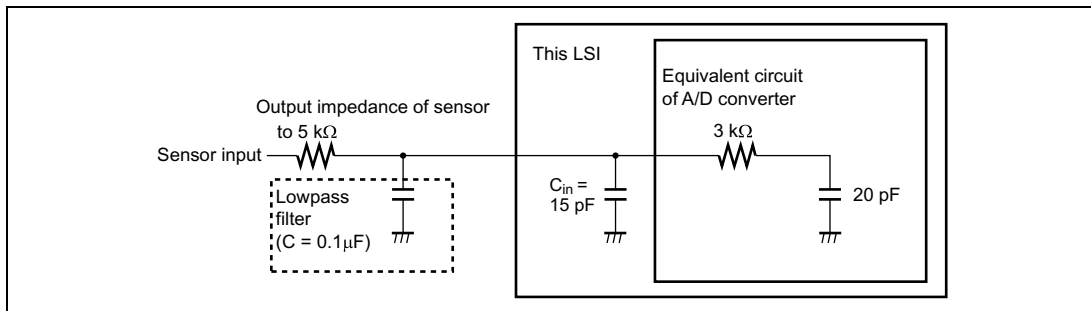


Figure 21.5 Analog Input Circuit Example

### 21.7.3 Setting Analog Input Voltage

Operating the chip in excess of the following voltage range may result in damage to chip reliability.

- Analog Input Voltage Range: During A/D conversion, the voltages (VANn) input to the analog input pins ANn should be in the range  $AV_{SS} \leq VANn \leq AV_{CC}$  ( $n = 0$  to  $3$ ).



- Relationships of  $AV_{CC}$ ,  $AV_{SS}$  and  $V_{CCQ}$ ,  $V_{SSQ}$ :  $AV_{CC} = V_{CCQ} \pm 0.2 \text{ V}$  and  $AV_{SS} = V_{SSQ}$ . Even when the A/D converter is not used, do not open  $AV_{CC}$  and  $AV_{SS}$ .

### 21.7.4 Notes on Board Design

In designing a board, separate digital circuits and analog circuits. Do not intersect or locate closely signal lines of a digital circuit and an analog circuit. An analog circuit may malfunction due to induction, thus affecting A/D conversion values. Separate analog input pins (AN0 to AN3) and the analog power voltage ( $AV_{CC}$ ) from digital circuits with analog ground ( $AV_{SS}$ ). Connect analog ground ( $AV_{SS}$ ) to one point of stable ground ( $V_{SS}$ ) on the board.

### 21.7.5 Notes on Countermeasures to Noise

Connect a protective circuit between  $AV_{CC}$  and  $AV_{SS}$ , as shown in figure 21.6, to prevent damage of analog input pins (AN0 to AN3) due to abnormal voltage such as excessive surge. Connect a bypass capacitor that is connected to  $AV_{CC}$  and a capacitor for a filter that is connected to AN0 to AN3 to  $AV_{SS}$ .

When a capacitor for a filter is connected, input currents of AN0 to AN3 are averaged, may causing errors. If A/D conversion is frequently performed in scan mode, voltages of analog input pins cause errors when a current that is charged/discharged for capacitance of a sample & hold circuit in the A/D converter is higher than a current that is input through input impedance ( $R_{in}$ ). Therefore, determine a circuit constant carefully.

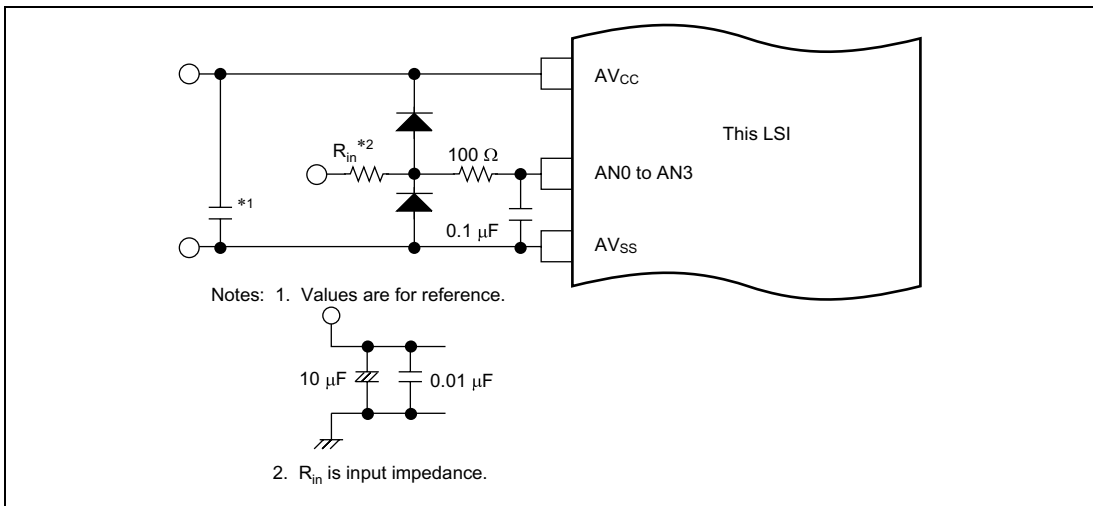
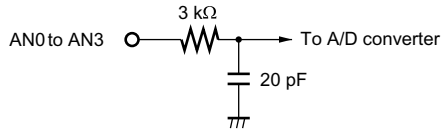


Figure 21.6 Example of Analog Input Protection Circuit

**Table 21.6 Analog Input Pin Ratings**

| Item                              | Min | Max | Unit       |
|-----------------------------------|-----|-----|------------|
| Analog input capacitance          | —   | 20  | pF         |
| Allowable signal-source impedance | —   | 5   | k $\Omega$ |



Note: Values are for reference.

**Figure 21.7 Analog Input Pin Equivalent Circuit**

# Section 22 User Break Controller

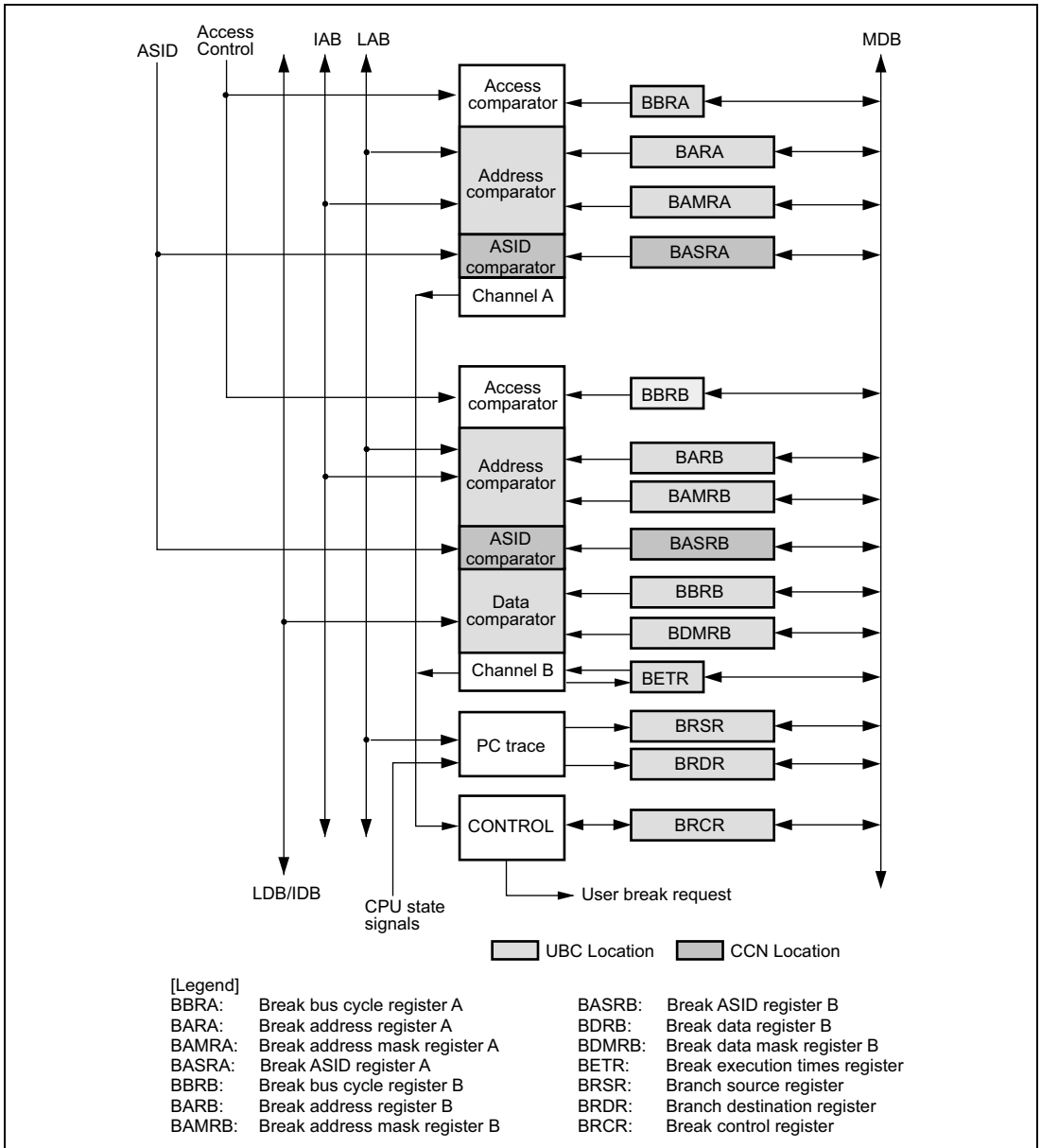
The user break controller (UBC) provides functions that simplify program debugging. These functions make it easy to design an effective self-monitoring debugger, enabling the chip to debug programs without using an in-circuit emulator. Break conditions that can be set in the UBC are instruction fetch or data read/write access, data size, data contents, address value, and stop timing in the case of instruction fetch.

## 22.1 Features

The UBC has the following features:

- The following break comparison conditions can be set.
  - Number of break channels: two channels (channels A and B)
  - User break can be requested as either the independent or sequential condition on channels A and B (sequential break setting: channel A and then channel B match with break conditions, but not in the same bus cycle).
    - Address (Compares 40 bits configured of the ASID and addresses 32 bits: the ASID can be selected either all-bit comparison or all-bit mask. Comparison bits for the address are maskable in 1-bit units; user can mask addresses at lower 12 bits (4 k page), lower 10 bits (1 k page), or any size of page, etc.)
    - One of the two address buses (L bus address (LAB) and I bus address (IAB)) can be selected.
    - Data (only on channel B, 32-bit maskable)
      - One of the two data buses (L bus data (LDB) and I bus data (IDB)) can be selected.
    - Bus cycle: Instruction fetch or data access
    - Read/write
    - Operand size: Byte, word, or longword
- User break is generated upon satisfying break conditions. A user-designed user-break condition exception processing routine can be run.
- In an instruction fetch cycle, it can be selected that a break is set before or after an instruction is executed.
- Maximum repeat times for the break condition (only for channel B):  $2^{12} - 1$  times.
- Eight pairs of branch source/destination buffers.

Figure 22.1 shows a block diagram of the UBC.



**Figure 22.1 Block Diagram of User Break Controller**

## 22.2 Register Descriptions

The user break controller has the following registers. For details on register addresses and access sizes, refer to section 24, List of Registers.

- Break address register A (BARA)
- Break address mask register A (BAMRA)
- Break bus cycle register A (BBRA)
- Break address register B (BARB)
- Break address mask register B (BAMRB)
- Break bus cycle register B (BBRB)
- Break data register B (BDRB)
- Break data mask register B (BDMRB)
- Break control register (BRCR)
- Execution times break register (BETR)
- Branch source register (BRSR)
- Branch destination register (BRDR)
- Break ASID register A (BASRA)
- Break ASID register B (BASRB)

### 22.2.1 Break Address Register A (BARA)

BARA is a 32-bit readable/writable register. BARA specifies the address used as a break condition in channel A.

| Bit     | Bit Name      | Initial Value | R/W | Description  |
|---------|---------------|---------------|-----|--|
| 31 to 0 | BAA31 to BAA0 | 0             | R/W | Break Address A<br>Store the address on the LAB or IAB specifying break conditions of channel A. |

### 22.2.2 Break Address Mask Register A (BAMRA)

BAMRA is a 32-bit readable/writable register. BAMRA specifies bits masked in the break address specified by BARA.

| Bit     | Bit Name        | Initial Value | R/W | Description  |
|---------|-----------------|---------------|-----|--|
| 31 to 0 | BAMA31 to BAMA0 | 0             | R/W | <p>Break Address Mask A</p> <p>Specify bits masked in the channel A break address bits specified by BARA (BAA31 to BAA0).</p> <p>0: Break address bit BAA<sub>n</sub> of channel A is included in the break condition</p> <p>1: Break address bit BAA<sub>n</sub> of channel A is masked and is not included in the break condition</p> <p>Note: n = 31 to 0</p> |

### 22.2.3 Break Bus Cycle Register A (BBRA)

BBRA is a 16-bit readable/writable register, which specifies (1) L bus cycle or I bus cycle, (2) instruction fetch or data access, (3) read or write, and (4) operand size in the break conditions of channel A.

| Bit     | Bit Name | Initial Value | R/W | Description  |
|---------|----------|---------------|-----|--|
| 15 to 8 | —        | 0             | R   | <p>Reserved</p> <p>These bits are always read as 0. The write value should always be 0.</p>  |
| 7       | CDA1     | 0             | R/W | L Bus Cycle/I Bus Cycle Select A   |
| 6       | CDA0     | 0             | R/W | <p>Select the L bus cycle or I bus cycle as the bus cycle of the channel A break condition.</p> <p>00: Condition comparison is not performed</p> <p>01: The break condition is the L bus cycle</p> <p>10: The break condition is the I bus cycle</p> <p>11: The break condition is the L bus cycle</p> |

| Bit | Bit Name | Initial Value | R/W | Description  |
|-----|----------|---------------|-----|--|
| 5   | IDA1     | 0             | R/W | Instruction Fetch/Data Access Select A<br>Select the instruction fetch cycle or data access cycle as the bus cycle of the channel A break condition.<br>00: Condition comparison is not performed<br>01: The break condition is the instruction fetch cycle<br>10: The break condition is the data access cycle<br>11: The break condition is the instruction fetch cycle or data access cycle |
| 4   | IDA0     | 0             | R/W |  |
| 3   | RWA1     | 0             | R/W | Read/Write Select A<br>Select the read cycle or write cycle as the bus cycle of the channel A break condition.<br>00: Condition comparison is not performed<br>01: The break condition is the read cycle<br>10: The break condition is the write cycle<br>11: The break condition is the read cycle or write cycle   |
| 2   | RWA0     | 0             | R/W |  |
| 1   | SZA1     | 0             | R/W |  |
| 0   | SZA0     | 0             | R/W |  |
|     |          |               |     | Select the operand size of the bus cycle for the channel A break condition.<br>00: The break condition does not include operand size<br>01: The break condition is byte access<br>10: The break condition is word access<br>11: The break condition is longword access   |

## 22.2.4 Break Address Register B (BARB)

BARB is a 32-bit readable/writable register. BARB specifies the address used as a break condition in channel B.

| Bit     | Bit Name      | Initial Value | R/W | Description   |
|---------|---------------|---------------|-----|---|
| 31 to 0 | BAB31 to BAB0 | 0             | R/W | Break Address B<br>Stores an address which specifies a break condition in channel B.<br>BARB specifies the break address on LAB or IAB. |

## 22.2.5 Break Address Mask Register B (BAMRB)

BAMRB is a 32-bit readable/writable register. BAMRB specifies bits masked in the break address specified by BARB.

| Bit     | Bit Name        | Initial Value | R/W | Description  |
|---------|-----------------|---------------|-----|--|
| 31 to 0 | BAMB31 to BAMB0 | 0             | R/W | <p>Break Address Mask B</p> <p>Specifies bits masked in the break address of channel B specified by BARB (BAB31 to BAB0).</p> <p>0: Break address BAB<sub>n</sub> of channel B is included in the break condition</p> <p>1: Break address BAB<sub>n</sub> of channel B is masked and is not included in the break condition</p> <p>Note: n = 31 to 0</p> |

## 22.2.6 Break Data Register B (BDRB)

BDRB is a 32-bit readable/writable register.

| Bit     | Bit Name      | Initial Value | R/W | Description  |
|---------|---------------|---------------|-----|--|
| 31 to 0 | BDB31 to BDB0 | 0             | R/W | <p>Break Data Bit B</p> <p>Stores data which specifies a break condition in channel B.</p> <p>BDRB specifies the break data on LDB or IDB.</p> |

- Notes:
1. Specify an operand size when including the value of the data bus in the break condition.
  2. When the byte size is selected as a break condition, the same byte data must be set in bits 15 to 8 and 7 to 0 in BDRB as the break data.



## 22.2.7 Break Data Mask Register B (BDMRB)

BDMRB is a 32-bit readable/writable register. BDMRB specifies bits masked in the break data specified by BDRB.

| Bit     | Bit Name        | Initial Value | R/W | Description   |
|---------|-----------------|---------------|-----|---|
| 31 to 0 | BDMB31 to BDMB0 | 0             | R/W | Break Data Mask B<br>Specifies bits masked in the break data of channel B specified by BDRB (BDB31 to BDB0).<br>0: Break data BDBn of channel B is included in the break condition<br>1: Break data BDBn of channel B is masked and is not included in the break condition<br>Note: n = 31 to 0 |

Notes: 1. Specify an operand size when including the value of the data bus in the break condition.  
2. When the byte size is selected as a break condition, the same byte data must be set in bits 15 to 8 and 7 to 0 in BDRB as the break mask data in BDMRB.

## 22.2.8 Break Bus Cycle Register B (BBRB)

BBRB is a 16-bit readable/writable register, which specifies (1) L bus cycle or I bus cycle, (2) instruction fetch or data access, (3) read or write, and (4) operand size in the break conditions of channel B.

| Bit     | Bit Name | Initial Value | R/W | Description  |
|---------|----------|---------------|-----|--|
| 15 to 8 | —        | 0             | R   | Reserved<br>These bits are always read as 0. The write value should always be 0. |

| Bit | Bit Name | Initial Value | R/W | Description  |
|-----|----------|---------------|-----|--|
| 7   | CDB1     | 0             | R/W | L Bus Cycle/I Bus Cycle Select B   |
| 6   | CDB0     | 0             | R/W | Select the L bus cycle or I bus cycle as the bus cycle of the channel B break condition.<br>00: Condition comparison is not performed<br>01: The break condition is the L bus cycle<br>10: The break condition is the I bus cycle<br>11: The break condition is the L bus cycle  |
| 5   | IDB1     | 0             | R/W | Instruction Fetch/Data Access Select B   |
| 4   | IDB0     | 0             | R/W | Select the instruction fetch cycle or data access cycle as the bus cycle of the channel B break condition.<br>00: Condition comparison is not performed<br>01: The break condition is the instruction fetch cycle<br>10: The break condition is the data access cycle<br>11: The break condition is the instruction fetch cycle or data access cycle |
| 3   | RWB1     | 0             | R/W | Read/Write Select B  |
| 2   | RWB0     | 0             | R/W | Select the read cycle or write cycle as the bus cycle of the channel B break condition.<br>00: Condition comparison is not performed<br>01: The break condition is the read cycle<br>10: The break condition is the write cycle<br>11: The break condition is the read cycle or write cycle  |
| 1   | SZB1     | 0             | R/W | Operand Size Select B  |
| 0   | SZB0     | 0             | R/W | Select the operand size of the bus cycle for the channel B break condition.<br>00: The break condition does not include operand size<br>01: The break condition is byte access<br>10: The break condition is word access<br>11: The break condition is longword access   |

## 22.2.9 Break Control Register (BRCR)

BRCR sets the following conditions:

1. Specifies whether channels A and B are used in two independent channel conditions or under the sequential condition.
2. Specifies whether a break is set before or after instruction execution.
3. Specifies whether to include the number of execution times on channel B in comparison conditions.
4. Specifies whether to include data bus on channel B in comparison conditions.
5. Enables PC trace.
6. Enables ASID check.

BRCR is a 32-bit readable/writable register that has break conditions match flags and bits for setting a variety of break conditions.

| Bit      | Bit Name | Initial Value | R/W | Description  |
|----------|----------|---------------|-----|--|
| 31 to 22 | —        | 0             | R   | Reserved<br>These bits are always read as 0. The write value should always be 0.   |
| 21       | BASMA    | 0             | R/W | Break ASID Mask A<br>Specifies whether bits in channel A break ASID7 to ASID0 (BASA7 to BASA0) which are set in BASRA are masked or not.<br>0: All BASRA bits are included in the break conditions and the ASID is checked<br>1: All BASRA bits are not included in the break conditions and the ASID is not checked |
| 20       | BASMB    | 0             | R/W | Break ASID Mask B<br>Specifies whether bits in channel B break ASID7 to ASID0 (BASB7 to BASB0) which are set in BASRB are masked or not.<br>0: All BASRB bits are included in the break conditions and the ASID is checked<br>1: All BASRB bits are not included in the break conditions and the ASID is not checked |
| 19 to 16 | —        | 0             | R   | Reserved<br>These bits are always read as 0. The write value should always be 0.   |

| Bit | Bit Name | Initial Value | R/W | Description  |
|-----|----------|---------------|-----|--|
| 15  | SCMFCA   | 0             | R/W | <p>L Bus Cycle Condition Match Flag A</p> <p>When the L bus cycle condition in the break conditions set for channel A is satisfied, this flag is set to 1. In order to clear this flag, write 0 into this bit.</p> <p>0: The L bus cycle condition for channel A does not match<br/>1: The L bus cycle condition for channel A matches</p> |
| 14  | SCMFCB   | 0             | R/W | <p>L Bus Cycle Condition Match Flag B</p> <p>When the L bus cycle condition in the break conditions set for channel B is satisfied, this flag is set to 1. In order to clear this flag, write 0 into this bit.</p> <p>0: The L bus cycle condition for channel B does not match<br/>1: The L bus cycle condition for channel B matches</p> |
| 13  | SCMFDA   | 0             | R/W | <p>I Bus Cycle Condition Match Flag A</p> <p>When the I bus cycle condition in the break conditions set for channel A is satisfied, this flag is set to 1. In order to clear this flag, write 0 into this bit.</p> <p>0: The I bus cycle condition for channel A does not match<br/>1: The I bus cycle condition for channel A matches</p> |
| 12  | SCMFDB   | 0             | R/W | <p>I Bus Cycle Condition Match Flag B</p> <p>When the I bus cycle condition in the break conditions set for channel B is satisfied, this flag is set to 1. In order to clear this flag, write 0 into this bit.</p> <p>0: The I bus cycle condition for channel B does not match<br/>1: The I bus cycle condition for channel B matches</p> |
| 11  | PCTE     | 0             | R/W | <p>PC Trace Enable</p> <p>0: Disables PC trace<br/>1: Enables PC trace</p>   |
| 10  | PCBA     | 0             | R/W | <p>PC Break Select A</p> <p>Selects the break timing of the instruction fetch cycle for channel A as before or after instruction execution.</p> <p>0: PC break of channel A is set before instruction execution<br/>1: PC break of channel A is set after instruction execution</p>  |

| Bit  | Bit Name | Initial Value | R/W | Description   |
|------|----------|---------------|-----|---|
| 9, 8 | —        | 0             | R   | Reserved<br>These bits are always read as 0. The write value should always be 0.  |
| 7    | DBEB     | 0             | R/W | Data Break Enable B<br>Selects whether or not the data bus condition is included in the break condition of channel B.<br>0: No data bus condition is included in the condition of channel B<br>1: The data bus condition is included in the condition of channel B  |
| 6    | PCBB     | 0             | R/W | PC Break Select B<br>Selects the break timing of the instruction fetch cycle for channel B as before or after instruction execution.<br>0: PC break of channel B is set before instruction execution<br>1: PC break of channel B is set after instruction execution   |
| 5, 4 | —        | 0             | R   | Reserved<br>These bits are always read as 0. The write value should always be 0.  |
| 3    | SEQ      | 0             | R/W | Sequence Condition Select<br>Selects two conditions of channels A and B as independent or sequential conditions.<br>0: Channels A and B are compared under independent conditions<br>1: Channels A and B are compared under sequential conditions (channel A, then channel B)   |
| 2, 1 | —        | 0             | R   | Reserved<br>These bits are always read as 0. The write value should always be 0.  |
| 0    | ETBE     | 0             | R/W | Number of Execution Times Break Enable<br>Enables the execution-times break condition only on channel B. If this bit is 1 (break enable), a user break is issued when the number of satisfied break conditions matches with the number of execution times that is specified by BETR.<br>0: The execution-times break condition is disabled on channel B<br>1: The execution-times break condition is enabled on channel B |

## 22.2.10 Execution Times Break Register (BETR)

BETR is a 16-bit readable/writable register. When the execution-times break condition of channel B is enabled, this register specifies the number of execution times to make the break. The maximum number is  $2^{12} - 1$  times. When a break condition is satisfied, it decrements the BETR value. A break is issued when the break condition is satisfied after BETR becomes H'0001.

| Bit      | Bit Name      | Initial Value | R/W | Description  |
|----------|---------------|---------------|-----|--|
| 15 to 12 | —             | 0             | R   | Reserved   |
|          |               |               |     | These bits are always read as 0. The write value should always be 0. |
| 11 to 0  | BET11 to BET0 | 0             | R/W | Number of Execution Times  |

Note: If the channel B brake condition set to during instruction fetch cycles and any of the instructions below perform breaks, BETR is not decremented when the first break occurs. The decremented values are listed below.

| Instruction          | Value Decrement | Instruction        | Value Decrement |
|----------------------|-----------------|--------------------|-----------------|
| RTE                  | 4               | LDC.L @Rm+,SR      | 6               |
| DMULS.L Rm,Rn        | 2               | LDC.L @Rm+,GBR     | 4               |
| DMULU.L Rm,Rn        | 2               | LDC.L @Rm+,VBR     | 4               |
| MAC.L @Rm+,@Rn+      | 2               | LDC.L @Rm+,SSR     | 4               |
| MAC.W @Rm+,@Rn+      | 2               | LDC.L @Rm+,SPC     | 4               |
| MUL.L Rm,Rn          | 3               | LDC.L @Rm+,R0_BANK | 4               |
| AND.B #imm,@(R0,GBR) | 3               | LDC.L @Rm+,R1_BANK | 4               |
| OR.B #imm,@(R0,GBR)  | 3               | LDC.L @Rm+,R2_BANK | 4               |
| TAS.B @Rn            | 3               | LDC.L @Rm+,R3_BANK | 4               |
| TST.B #imm,@(R0,GBR) | 3               | LDC.L @Rm+,R4_BANK | 4               |
| XOR.B #imm,@(R0,GBR) | 3               | LDC.L @Rm+,R5_BANK | 4               |
| LDC Rm,SR            | 4               | LDC.L @Rm+,R6_BANK | 4               |
| LDC Rm,GBR           | 4               | LDC.L @Rm+,R7_BANK | 4               |
| LDC Rm,VBR           | 4               | LDC.L @Rn+,MOD     | 4               |
| LDC Rm,SSR           | 4               | LDC.L @Rn+,RS      | 4               |
| LDC Rm,SPC           | 4               | LDC.L @Rn+,RE      | 4               |
| LDC Rm,R0_BANK       | 4               | LDC Rn,MOD         | 4               |
| LDC Rm,R1_BANK       | 4               | LDC Rn,RS          | 4               |
| LDC Rm,R2_BANK       | 4               | LDC Rn,RE          | 4               |
| LDC Rm,R3_BANK       | 4               | BSR label          | 2               |
| LDC Rm,R4_BANK       | 4               | BSRF Rm            | 2               |
| LDC Rm,R5_BANK       | 4               | JSR @Rm            | 2               |
| LDC Rm,R6_BANK       | 4               |                    |                 |
| LDC Rm,R7_BANK       | 4               |                    |                 |

## 22.2.11 Branch Source Register (BRSR)

BRSR is a 32-bit read-only register. BRSR stores bits 27 to 0 in the address of the branch source instruction. BRSR has the flag bit that is set to 1 when a branch occurs. This flag bit is cleared to 0 when BRSR is read, the setting to enable PC trace is made, or BRSR is initialized by a power-on reset. Other bits are not initialized by a power-on reset. The eight BRSR registers have a queue structure and a stored register is shifted at every branch.

| Bit      | Bit Name      | Initial Value | R/W | Description  |
|----------|---------------|---------------|-----|--|
| 31       | SVF           | 0             | R   | <b>BRSR Valid Flag</b><br><br>Indicates whether the branch source address is stored. When a branch source address is fetched, this flag is set to 1. This flag is cleared to 0 by reading from BRSR.<br><br>0: The value of BRSR register is invalid<br>1: The value of BRSR register is valid |
| 30 to 28 | —             | 0             | R   | <b>Reserved</b><br><br>These bits are always read as 0.  |
| 27 to 0  | BSA27 to BSA0 | Undefined     | R   | <b>Branch Source Address</b><br><br>Store bits 27 to 0 of the branch source address.   |

### 22.2.12 Branch Destination Register (BRDR)

BRDR is a 32-bit read-only register. BRDR stores bits 27 to 0 in the address of the branch destination instruction. BRDR has the flag bit that is set to 1 when a branch occurs. This flag bit is cleared to 0 when BRDR is read, the setting to enable PC trace is made, or BRDR is initialized by a power-on reset. Other bits are not initialized by a power-on reset. The eight BRDR registers have a queue structure and a stored register is shifted at every branch.

| Bit      | Bit Name      | Initial Value | R/W | Description  |
|----------|---------------|---------------|-----|--|
| 31       | DVF           | 0             | R   | BRDR Valid Flag<br>Indicates whether a branch destination address is stored. When a branch destination address is fetched, this flag is set to 1. This flag is cleared to 0 by reading BRDR.<br>0: The value of BRDR register is invalid<br>1: The value of BRDR register is valid |
| 30 to 28 | —             | 0             | R   | Reserved<br>These bits are always read as 0.   |
| 27 to 0  | BDA27 to BDA0 | Undefined     | R   | Branch Destination Address<br>Store bits 27 to 0 of the branch destination address.  |

### 22.2.13 Break ASID Register A (BASRA)

BASRA is an 8-bit readable/writable register that specifies ASID which becomes the break condition for channel A. BASRA is in CCN.

| Bit    | Bit Name       | Initial Value | R/W | Description  |
|--------|----------------|---------------|-----|--|
| 7 to 0 | BASA7 to BASA0 | —             | R/W | Break ASID A<br>Store ASID (bits 7 to 0) which is the break condition for channel A. |



## 22.2.14 Break ASID Register B (BASRB)

BASRB is an 8-bit readable/writable register that specifies ASID which becomes the break condition for channel B. BASRB is in CCN.

| Bit    | Bit Name             | Initial Value | R/W | Description  |
|--------|----------------------|---------------|-----|--|
| 7 to 0 | BASB7<br>to<br>BASB0 | —             | R/W | Break ASID B<br>Store ASID (bits 7 to 0) which is the break condition for channel B. |

## 22.3 Operation

### 22.3.1 Flow of the User Break Operation

The flow from setting of break conditions to user break exception processing is described below:

1. The break addresses and corresponding ASID are set in the break address registers (BARA and BARB) and break ASID registers (BASRA and BASRB in CCN). The masked addresses are set in the break address mask registers (BAMRA and BAMRB). The break data is set in the break data register (BDRB). The masked data is set in the break data mask register (BDMRB). The bus break conditions are set in the break bus cycle registers (BBRA and BBRB). Three groups of BBRA and BBRB (L bus cycle/I bus cycle select, instruction fetch/data access select, and read/write select) are each set. No user break will be generated if even one of these groups is set with 00. The respective conditions are set in the bits of the break control register (BRCR). Make sure to set all registers related to breaks before setting BBRA/BBRB.
2. When the break conditions are satisfied, the UBC sends a user break request to the CPU and sets the L bus condition match flag (SCMFCA or SCMFCE) and the I bus condition match flag (SCMFDA or SCMFDE) for the appropriate channel.
3. The appropriate condition match flags (SCMFCA, SCMFCE, SCMFDB, and SCMFDE) can be used to check if the set conditions match or not. The matching of the conditions sets flags, but they are not reset. 0 must first be written to them before they can be used again.
4. There is a chance that the data access break and its following instruction fetch break occur around the same time. There will be only one break request to the CPU, but these two break channel match flags could be both set.

5. When selecting the I bus as the break condition, note the following:
  - Several bus masters, including the CPU and DMAC, are connected to the I bus. The UBC monitors bus cycles generated by all bus masters, and determines the condition match.
  - Physical addresses are used for the I bus. Set a physical address in break address registers (BARA and BARB). The bus cycles for logical addresses issued on the L bus by the CPU are converted to physical addresses before being output to the I bus. (If the address translation function is enabled, address translation by the MMU is carried out.)
  - For data access cycles issued on the L bus by the CPU, if their logical addresses are not to be cached, they are issued with the data size specified on the L bus and their addresses are not rounded.
  - For instruction fetch cycles issued on the L bus by the CPU, even though their logical addresses are not to be cached, they are issued in longwords and their addresses are rounded to match longword boundaries.
  - If a logical address issued on the L bus by the CPU is an address to be cached and a cache miss occurs, its bus cycle is issued as a cache fill cycle on the I bus. In this case, it is issued in longwords and its address is rounded to match longword boundaries. However note that cache fill is not performed for a write miss in write through mode. In this case, the bus cycle is issued with the data size specified on the L bus and its address is not rounded. In write back mode, a write back cycle may be issued in addition to a read fill cycle. It is a longword bus cycle whose address is rounded to match longword boundaries.
  - I bus cycles (including read fill cycles) resulting from instruction fetches on the L bus by the CPU are defined as instruction fetch cycles on the I bus, while other bus cycles are defined as data access cycles.
  - The DMAC only issues data access cycles for I bus cycles.
  - If a break condition is specified for the I bus, even when the condition matches in an I bus cycle resulting from an instruction executed by the CPU, at which instruction the break is to be accepted cannot be clearly defined.
6. While the block bit (BL) in the CPU status register (SR) is set to 1, no breaks can be accepted. However, condition determination will be carried out, and if the condition matches, the corresponding condition match flag is set to 1.

### 22.3.2 Break on Instruction Fetch Cycle

1. When L bus/instruction fetch/read/word or longword is set in the break bus cycle register (BBRA or BBRB), the break condition becomes the L bus instruction fetch cycle. Whether it breaks before or after the execution of the instruction can then be selected with the PCBA or PCBB bit of the break control register (BRCR) for the appropriate channel. If an instruction fetch cycle is set as a break condition, clear LSB in the break address register (BARA or BARB) to 0. A break cannot be generated as long as this bit is set to 1.
2. An instruction set for a break before execution breaks when it is confirmed that the instruction has been fetched and will be executed. This means this feature cannot be used on instructions fetched by overrun (instructions fetched at a branch or during an interrupt transition, but not to be executed). When this kind of break is set for the delay slot of a delayed branch instruction, the break is generated prior to execution of the delayed branch instruction.  
Note: If a branch does not occur at a delayed conditional branch instruction, the subsequent instruction is not recognized as a delay slot.
3. When the condition is specified to be occurred after execution, the instruction set with the break condition is executed and then the break is generated prior to the execution of the next instruction. As with pre-execution breaks, this cannot be used with overrun fetch instructions. When this kind of break is set for a delayed branch instruction and its delay slot, a break is not generated until the first instruction at the branch destination.
4. When an instruction fetch cycle is set for channel B, the break data register B (BDRB) is ignored. Therefore, break data cannot be set for the break of the instruction fetch cycle.
5. If the I bus is set for a break of an instruction fetch cycle, the condition is determined for the instruction fetch cycles on the I bus. For details, see 5 in section 22.3.1, Flow of the User Break Operation.

### 22.3.3 Break on Data Access Cycle

1. If the L bus is specified as a break condition for data access break, condition comparison is performed for the logical addresses (and data) accessed by the executed instructions, and a break occurs if the condition is satisfied. If the I bus is specified as a break condition, condition comparison is performed for the physical addresses (and data) of the data access cycles that are issued on the I bus by all bus masters including the CPU, and a break occurs if the condition is satisfied. For details on the CPU bus cycles issued on the I bus, see 5 in section 22.3.1, Flow of the User Break Operation.
2. The relationship between the data access cycle address and the comparison condition for each operand size is listed in table 22.1.

**Table 22.1 Data Access Cycle Addresses and Operand Size Comparison Conditions**

| <b>Access Size</b> | <b>Address Compared</b>  |
|--------------------|--|
| Longword           | Compares break address register bits 31 to 2 to address bus bits 31 to 2 |
| Word               | Compares break address register bits 31 to 1 to address bus bits 31 to 1 |
| Byte               | Compares break address register bits 31 to 0 to address bus bits 31 to 0 |

This means that when address H'00001003 is set in the break address register (BARA or BARB), for example, the bus cycle in which the break condition is satisfied is as follows (where other conditions are met).

Longword access at H'00001000

Word access at H'00001002

Byte access at H'00001003

3. When the data value is included in the break conditions on channel B:  
When the data value is included in the break conditions, either longword, word, or byte is specified as the operand size of the break bus cycle register B (BBRB). When data values are included in break conditions, a break is generated when the address conditions and data conditions both match. To specify byte data for this case, set the same data in two bytes at bits 15 to 8 and bits 7 to 0 of the break data register B (BDRB) and break data mask register B (BDMRB). When word or byte is set, bits 31 to 16 of BDRB and BDMRB are ignored.
4. Access by a PREF instruction is handled as read access in longword units without access data. Therefore, if including the value of the data bus when a PREF instruction is specified as a break condition, a break will not occur.
5. If the L bus is selected, a break occurs on ending execution of the instruction that matches the break condition, and immediately before the next instruction is executed. However, when data is also specified as the break condition, the break may occur on ending execution of the instruction following the instruction that matches the break condition. If the I bus is selected, the instruction at which the break will occur cannot be determined. When this kind of break

occurs at a delayed branch instruction or its delay slot, the break may not actually take place until the first instruction at the branch destination.

### **22.3.4 Sequential Break**

1. By setting the SEQ bit in BRCCR to 1, the sequential break is issued when a channel B break condition matches after a channel A break condition matches. A user break is not generated even if a channel B break condition matches before a channel A break condition matches. When channels A and B conditions match at the same time, the sequential break is not issued. To clear the channel A condition match when a channel A condition match has occurred but a channel B condition match has not yet occurred in a sequential break specification, clear the SEQ bit in BRCCR to 0.
2. In sequential break specification, the L or I bus can be selected and the execution times break condition can be also specified. For example, when the execution times break condition is specified, the break condition is satisfied when a channel B condition matches with BETR = H'0001 after a channel A condition has matched.

### **22.3.5 Value of Saved Program Counter**

When a break occurs, the address of the instruction from where execution is to be resumed is saved in the SPC, and the exception handling state is entered. If the L bus is specified as a break condition, the instruction at which the break should occur can be clearly determined (except for when data is included in the break condition). If the I bus is specified as a break condition, the instruction at which the break should occur cannot be clearly determined.

1. When instruction fetch (before instruction execution) is specified as a break condition:  
The address of the instruction that matched the break condition is saved in the SPC. The instruction that matched the condition is not executed, and the break occurs before it. However when a delay slot instruction matches the condition, the address of the delayed branch instruction is saved in the SPC.
2. When instruction fetch (after instruction execution) is specified as a break condition:  
The address of the instruction following the instruction that matched the break condition is saved in the SPC. The instruction that matches the condition is executed, and the break occurs before the next instruction is executed. However when a delayed branch instruction or delay slot matches the condition, these instructions are executed, and the branch destination address is saved in the SPC.
3. When data access (address only) is specified as a break condition:  
The address of the instruction immediately after the instruction that matched the break condition is saved in the SPC. The instruction that matches the condition is executed, and the break occurs before the next instruction is executed. However when a delay slot instruction matches the condition, the branch destination address is saved in the SPC.
4. When data access (address + data) is specified as a break condition:  
When a data value is added to the break conditions, the address of an instruction that is within two instructions of the instruction that matched the break condition is saved in the SPC. At which instruction the break occurs cannot be determined accurately.  
When a delay slot instruction matches the condition, the branch destination address is saved in the SPC. If the instruction following the instruction that matches the break condition is a branch instruction, the break may occur after the branch instruction or delay slot has finished. In this case, the branch destination address is saved in the SPC.

### 22.3.6 PC Trace

1. Setting PCTE in BRCCR to 1 enables PC traces. When branch (branch instruction, and interrupt exception) is generated, the branch source address and branch destination address are stored in BRSR and BRDR, respectively.
2. The values stored in BRSR and BRDR are as given below due to the kind of branch.
  - If a branch occurs due to a branch instruction, the address of the branch instruction is saved in BRSR and the address of the branch destination instruction is saved in BRDR.
  - If a branch occurs due to an interrupt or exception, the value saved in SPC due to exception occurrence is saved in BRSR and the start address of the exception handling routine is saved in BRDR.
3. BRSR and BRDR have eight pairs of queue structures. The top of queues is read first when the address stored in the PC trace register is read. BRSR and BRDR share the read pointer. Read BRSR and BRDR in order, the queue only shifts after BRDR is read. After switching the PCTE bit (in BRCCR) off and on, the values in the queues are invalid.

## 22.3.7 Usage Examples

### Break Condition Specified for an L Bus Instruction Fetch Cycle

#### 1. Register specifications

BARA = H'00000404, BAMRA = H'00000000, BBRA = H'0054, BARB = H'00008010, BAMRB = H'00000006, BBRB = H'0054, BDRB = H'00000000, BDMRB = H'00000000, BRRCR = H'00300400

Specified conditions: Channel A/channel B independent mode

- Channel A

Address: H'00000404, Address mask: H'00000000

Bus cycle: L bus/instruction fetch (after instruction execution)/read (operand size is not included in the condition)

The ASID check is not included.

- Channel B

Address: H'00008010, Address mask: H'00000006

Data: H'00000000, Data mask: H'00000000

Bus cycle: L bus/instruction fetch (before instruction execution)/read (operand size is not included in the condition)

The ASID check is not included.

A user break occurs after an instruction of address H'00000404 is executed or before instructions of addresses H'00008010 to H'00008016 are executed.

#### 2. Register specifications

BARA = H'00037226, BAMRA = H'00000000, BBRA = H'0056, BARB = H'0003722E, BAMRB = H'00000000, BBRB = H'0056, BDRB = H'00000000, BDMRB = H'00000000, BRRCR = H'00000008, BASRA = H'80, BASRB = H'70

Specified conditions: Channel A/channel B sequential mode

- Channel A

Address: H'00037226, Address mask: H'00000000, ASID = H'80

Bus cycle: L bus/instruction fetch (before instruction execution)/read/word

- Channel B

Address: H'0003722E, Address mask: H'00000000, ASID = H'70

Data: H'00000000, Data mask: H'00000000

Bus cycle: L bus/instruction fetch (before instruction execution)/read/word

After an instruction with ASID = H'80 and address H'00037226 is executed, a user break occurs before an instruction with ASID = H'70 and address H'0003722E is executed.



### 3. Register specifications

BARA = H'00027128, BAMRA = H'00000000, BBRA = H'005A, BARB = H'00031415,  
BAMRB = H'00000000, BBRB = H'0054, BDRB = H'00000000, BDMRB = H'00000000,  
BRCR = H'00300000

Specified conditions: Channel A/channel B independent mode

- Channel A

Address: H'00027128, Address mask: H'00000000

Bus cycle: L bus/instruction fetch (before instruction execution)/write/word

The ASID check is not included.

- Channel B

Address: H'00031415, Address mask: H'00000000

Data: H'00000000, Data mask: H'00000000

The ASID check is not included.

Bus cycle: L bus/instruction fetch (before instruction execution)/read (operand size  
is not included in the condition)

On channel A, no user break occurs since instruction fetch is not a write cycle. On channel B, no user break occurs since instruction fetch is performed for an even address.

### 4. Register specifications

BARA = H'00037226, BAMRA = H'00000000, BBRA = H'005A, BARB = H'0003722E,  
BAMRB = H'00000000, BBRB = H'0056, BDRB = H'00000000, BDMRB = H'00000000,  
BRCR = H'00000008, BASRA = H'80, BASRB = H'70

Specified conditions: Channel A/channel B sequential mode

- Channel A

Address: H'00037226, Address mask: H'00000000, ASID = H'80

Bus cycle: L bus/instruction fetch (before instruction execution)/write/word

- Channel B

Address: H'0003722E, Address mask: H'00000000, ASID = H'70

Data: H'00000000, Data mask: H'00000000

Bus cycle: L bus/instruction fetch (before instruction execution)/read/word

Since instruction fetch is not a write cycle on channel A, a sequential condition does not match. Therefore, no user break occurs.

## 5. Register specifications

BARA = H'00000500, BAMRA = H'00000000, BBRA = H'0057, BARB = H'00001000,  
BAMRB = H'00000000, BBRB = H'0057, BDRB = H'00000000, BDMRB = H'00000000,  
BR CR = H'00300001, BETR = H'0005

Specified conditions: Channel A/channel B independent mode

- Channel A

Address: H'00000500, Address mask: H'00000000

Bus cycle: L bus/instruction fetch (before instruction execution)/read/longword

The ASID check is not included.

- Channel B

Address: H'00001000, Address mask: H'00000000

Data: H'00000000, Data mask: H'00000000

Bus cycle: L bus/instruction fetch (before instruction execution)/read/longword

The number of execution-times break enable (5 times)

The ASID check is not included.

On channel A, a user break occurs before an instruction of address H'00000500 is executed.  
On channel B, a user break occurs after the instruction of address H'00001000 are executed  
four times and before the fifth time.

## 6. Register specifications

BARA = H'00008404, BAMRA = H'00000FFF, BBRA = H'0054, BARB = H'00008010,  
BAMRB = H'00000006, BBRB = H'0054, BDRB = H'00000000, BDMRB = H'00000000,  
BR CR = H'00000400, BASRA = H'80, BASRB = H'70

Specified conditions: Channel A/channel B independent mode

- Channel A

Address: H'00008404, Address mask: H'00000FFF, ASID = H'80

Bus cycle: L bus/instruction fetch (after instruction execution)/read (operand size  
is not included in the condition)

- Channel B

Address: H'00008010, Address mask: H'00000006, ASID = H'70

Data: H'00000000, Data mask: H'00000000

Bus cycle: L bus/instruction fetch (before instruction execution)/read (operand size  
is not included in the condition)

A user break occurs after an instruction with ASID = H'80 and addresses H'00008000 to  
H'00008FFE is executed or before an instruction with ASID = H'70 and addresses  
H'00008010 to H'00008016 are executed.

## Break Condition Specified for an L Bus Data Access Cycle

Register specifications:

BARA = H'00123456, BAMRA = H'00000000, BBRA = H'0064, BARB = H'000ABCDE,  
BAMRB = H'000000FF, BBRB = H'006A, BDRB = H'0000A512, BDMRB = H'00000000,  
BRCR = H'00000080, BASRA = H'80, BASRB = H'70

Specified conditions: Channel A/channel B independent mode

- Channel A  
Address: H'00123456, Address mask: H'00000000, ASID = H'80  
Bus cycle: L bus/data access/read (operand size is not included in the condition)
- Channel B  
Address: H'000ABCDE, Address mask: H'000000FF, ASID = H'70  
Data: H'0000A512, Data mask: H'00000000  
Bus cycle: L bus/data access/write/word

On channel A, a user break occurs with longword read from ASID = H'80 and address H'00123454, word read from address H'00123456, or byte read from address H'00123456.  
On channel B, a user break occurs when word H'A512 is written in ASID = H'70 and addresses H'000ABC00 to H'000ABCFE.

## Break Condition Specified for an I Bus Data Access Cycle

Register specifications:

BARA = H'00314156, BAMRA = H'00000000, BBRA = H'0094, BARB = H'00055555,  
BAMRB = H'00000000, BBRB = H'00A9, BDRB = H'00007878, BDMRB = H'0000F0F,  
BRCR = H'00000080, BASRA = H'80, BASRB = H'70

Specified conditions: Channel A/channel B independent mode

- Channel A  
Address: H'00314156, Address mask: H'00000000, ASID = H'80  
Bus cycle: I bus/instruction fetch/read (operand size is not included in the condition)
- Channel B  
Address: H'00055555, Address mask: H'00000000, ASID = H'70  
Data: H'00000078, Data mask: H'0000000F  
Bus cycle: I bus/data access/write/byte

On channel A, a user break occurs when instruction fetch is performed for ASID = H'80 and address H'00314156 in the memory space.

On channel B, a user break occurs when byte data H'7\* is written in address H'00055555 with ASID = H'70 on the I bus.

### 22.3.8 Notes

1. The CPU can read from or write to the UBC registers via the I bus. Accordingly, during the period from executing an instruction to rewrite the UBC register till the new value is actually rewritten, the desired break may not occur. In order to know the timing when the UBC register is changed, read from the last written register. Instructions after then are valid for the newly written register value.
2. UBC cannot monitor access to the L bus and I bus in the same channel.
3. Note on specification of sequential break:

A condition match occurs when a B-channel match occurs in a bus cycle after an A-channel match occurs in another bus cycle in sequential break setting. Therefore, no break occurs even if a bus cycle, in which an A-channel match and a channel B match occur simultaneously, is set.
4. When a user break and another exception occur at the same instruction, which has higher priority is determined according to the priority levels defined in table 5.1 in section 5, Exception Handling. If an exception with higher priority occurs, the user break is not generated.
  - Pre-execution break has the highest priority.
  - When a post-execution break or data access break occurs simultaneously with a re-execution-type exception (including pre-execution break) that has higher priority, the re-execution-type exception is accepted, and the condition match flag is not set (see the exception in the following note). The break will occur and the condition match flag will be set only after the exception source of the re-execution-type exception has been cleared by the exception handling routine and re-execution of the same instruction has ended.
  - When a post-execution break or data access break occurs simultaneously with a completion-type exception (TRAPA) that has higher priority, though a break does not occur, the condition match flag is set.
5. Note the following exception for the above note.

If a post-execution break or data access break is satisfied by an instruction that generates a CPU address error (or TLB related exception) by data access, the CPU address error (or TLB related exception) is given priority to the break. Note that the UBC condition match flag is set in this case.
6. Note the following when a break occurs in a delay slot.

If a pre-execution break is set at the delay slot instruction of the RTE instruction, the break does not occur until the branch destination of the RTE instruction.
7. User breaks are disabled during USB module standby mode. Do not read from or write to the UBC registers during USB module standby mode; the values are not guaranteed.

# Section 23 User Debugging Interface (UDI)

This LSI incorporates a user debugging interface (UDI) and advanced user debugger (AUD) for a boundary scan function and emulator support.

This section describes the UDI. The AUD is a function exclusively for use by an emulator. Refer to the User's Manual for the relevant emulator for details of the AUD.

## 23.1 Features

The UDI (User Debugging Interface) is a serial I/O interface which supports with JTAG (Joint Test Action Group, IEEE Standard 1149.1 and IEEE Standard Test Access Port and Boundary-Scan Architecture) specifications.

The UDI in this LSI supports a boundary scan mode, and is also used for emulator connection.

When using an emulator, UDI functions should not be used. Refer to the emulator manual for the method of connecting the emulator.

Figure 23.1 shows a block diagram of the UDI.

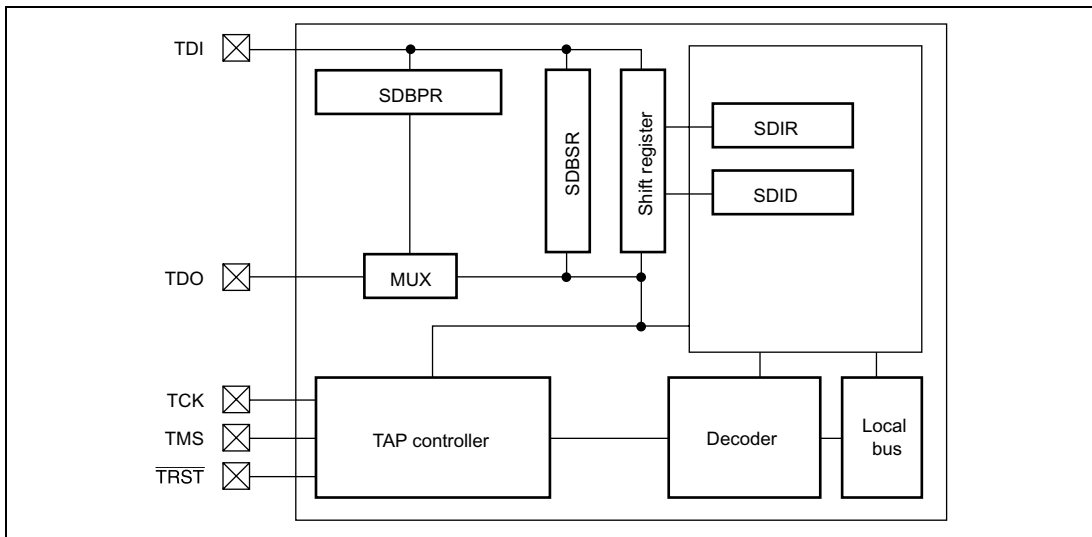


Figure 23.1 Block Diagram of UDI

## 23.2 Input/Output Pins

Table 23.1 shows the pin configuration of the UDI.

**Table 23.1 Pin Configuration**

| Pin Name                     | Input/Output | Description   |
|------------------------------|--------------|---|
| TCK*                         | Input        | Serial Data Input/Output Clock Pin<br>Data is serially supplied to the UDI from the data input pin (TDI), and output from the data output pin (TDO), in synchronization with this clock.  |
| TMS*                         | Input        | Mode Select Input Pin<br>The state of the TAP control circuit is determined by changing this signal in synchronization with TCK. The protocol is supported to the JTAG standard (IEEE Std.1149.1).  |
| $\overline{\text{TRST}}$ *   | Input        | Reset Input Pin<br>Input is accepted asynchronously with respect to TCK, and when low, the UDI is reset. $\overline{\text{TRST}}$ must be held low for a constant period when power is turned on regardless of using the UDI function. As the same as the $\overline{\text{RESETP}}$ pin, the $\overline{\text{TRST}}$ pin should be driven low at the power-on reset state and driven high after the power-on reset state is released. This is different from the JTAG standard.<br>See section 23.4.2, Reset Configuration, for more information. |
| TDI*                         | Input        | Serial Data Input Pin<br>Data transfer to the UDI is executed by changing this signal in synchronization with TCK.  |
| TDO                          | Output       | Serial Data Output Pin<br>Data read from the UDI is executed by reading this pin in synchronization with TCK. The data output timing depends on the command type set in the SDIR. See section 23.3.2, Instruction Register (SDIR), for more information.  |
| $\overline{\text{ASEMD0}}$ * | Input        | ASE Mode Select Pin<br>If a low level is input at the $\overline{\text{ASEMD0}}$ pin while the $\overline{\text{RESETP}}$ pin is asserted, ASE mode is entered; if a high level is input, normal mode is entered. In ASE mode, dedicated emulator function can be used. The input level at the $\overline{\text{ASEMD0}}$ pin should be held for at least one cycle after $\overline{\text{RESETP}}$ negation. See section 23.4.2, Reset Configuration, for more information.   |

| Pin Name                                     | Input/Output | Description            |
|--|--------------|------------------------|
| ASEBRKAK<br>AUDSYNC<br>AUDATA3 to 0<br>AUDCK | Output       | Dedicated emulator pin |

Note: \* The pull-up MOS turns on if the pin function controller (PFC) is used to select other functions (UDI).

## 23.3 Register Descriptions

The UDI has the following registers. For details on register addresses and register states in each processing state, see section 24, List of Registers.

- Bypass register (SDBPR)
- Instruction register (SDIR)
- Boundary scan register (SDBSR)
- ID register (SDID)

### 23.3.1 Bypass Register (SDBPR)

SDBPR is a 1-bit register that cannot be accessed by the CPU. When SDIR is set to the bypass mode, SDBPR is connected between UDI pins TDI and TDO. The initial value is undefined but SDBPR is initialized when the TAP enters the Capture-DR state.

### 23.3.2 Instruction Register (SDIR)

SDIR is a 16-bit read-only register. The register is in JTAG IDCODE in its initial state. It is initialized by  $\overline{\text{TRST}}$  assertion or in the TAP test-logic-reset state, and can be written to by the UDI irrespective of the CPU mode. Operation is not guaranteed if a reserved command is set in this register.

| Bit      | Bit Name   | Initial Value | R/W | Description  |
|----------|------------|---------------|-----|--|
| 15 to 13 | TI7 to TI5 | 1             | R   | Test Instruction 7 to 0  |
| 12       | TI4        | 0             | R   | The UDI instruction is transferred to SDIR by a serial input from TDI. |
| 11 to 8  | TI3 to TI0 | 1             | R   | For commands, see table 23.2.  |
| 7 to 2   | —          | 1             | R   | Reserved<br>These bits are always read as 1.                           |
| 1        | —          | 0             | R   | Reserved<br>This bit is always read as 0.                              |
| 0        | —          | 1             | R   | Reserved<br>This bit is always read as 1.                              |

**Table 23.2 UDI Commands**

| Bits 15 to 8         |     |     |     |     |     |     |     | Description                 |
|----------------------|-----|-----|-----|-----|-----|-----|-----|-----------------------------|
| TI7                  | TI6 | TI5 | TI4 | TI3 | TI2 | TI1 | TI0 |                             |
| 0                    | 0   | 0   | 0   | —   | —   | —   | —   | JTAG EXTEST                 |
| 0                    | 0   | 1   | 0   | —   | —   | —   | —   | JTAG CLAMP                  |
| 0                    | 0   | 1   | 1   | —   | —   | —   | —   | JTAG HIGHZ                  |
| 0                    | 1   | 0   | 0   | —   | —   | —   | —   | JTAG SAMPLE/PRELOAD         |
| 0                    | 1   | 1   | 0   | —   | —   | —   | —   | UDI reset negate            |
| 0                    | 1   | 1   | 1   | —   | —   | —   | —   | UDI reset assert            |
| 1                    | 0   | 1   | —   | —   | —   | —   | —   | UDI interrupt               |
| 1                    | 1   | 1   | 0   | —   | —   | —   | —   | JTAG IDCODE (Initial value) |
| 1                    | 1   | 1   | 1   | —   | —   | —   | —   | JTAG BYPASS                 |
| Other than the above |     |     |     |     |     |     |     | Reserved                    |

### 23.3.3 Boundary Scan Register (SDBSR)

SDBSR is a 385-bit shift register, located on the PAD, for controlling the input/output pins of this LSI. The initial value is undefined. SDBSR cannot be accessed by the CPU.

Using the EXTEST, SAMPLE/PRELOAD, CLAMP, and HIGHZ commands, a boundary scan test which supports the JTAG standard can be carried out. Table 23.3 shows the correspondence between this LSI's pins and boundary scan register bits.



**Table 23.3 SH7705 Pins and Boundary Scan Register Bits**

| Bit | Pin Name        | I/O | Bit | Pin Name        | I/O |
|-----|-----------------|-----|-----|-----------------|-----|
|     | from TDI        |     | 353 | D2              | IN  |
| 384 | VBUS/PTM6       | IN  | 352 | D1              | IN  |
| 383 | MD6             | IN  | 351 | D0              | IN  |
| 382 | D31/PTB7/PINT15 | IN  | 350 | VBUS/PTM6       | OUT |
| 381 | D30/PTB6/PINT14 | IN  | 349 | D31/PTB7/PINT15 | OUT |
| 380 | D29/PTB5/PINT13 | IN  | 348 | D30/PTB6/PINT14 | OUT |
| 379 | D28/PTB4/PINT12 | IN  | 347 | D29/PTB5/PINT13 | OUT |
| 378 | D27/PTB3/PINT11 | IN  | 346 | D28/PTB4/PINT12 | OUT |
| 377 | D26/PTB2/PINT10 | IN  | 345 | D27/PTB3/PINT11 | OUT |
| 376 | D25/PTB1/PINT9  | IN  | 344 | D26/PTB2/PINT10 | OUT |
| 375 | D24/PTB0/PINT8  | IN  | 343 | D25/PTB1/PINT9  | OUT |
| 374 | D23/PTA7/PINT7  | IN  | 342 | D24/PTB0/PINT8  | OUT |
| 373 | D22/PTA6/PINT6  | IN  | 341 | D23/PTA7/PINT7  | OUT |
| 372 | D21/PTA5/PINT5  | IN  | 340 | D22/PTA6/PINT6  | OUT |
| 371 | D20/PTA4/PINT4  | IN  | 339 | D21/PTA5/PINT5  | OUT |
| 370 | D19/PTA3/PINT3  | IN  | 338 | D20/PTA4/PINT4  | OUT |
| 369 | D18/PTA2/PINT2  | IN  | 337 | D19/PTA3/PINT3  | OUT |
| 368 | D17/PTA1/PINT1  | IN  | 336 | D18/PTA2/PINT2  | OUT |
| 367 | D16/PTA0/PINT0  | IN  | 335 | D17/PTA1/PINT1  | OUT |
| 366 | D15             | IN  | 334 | D16/PTA0/PINT0  | OUT |
| 365 | D14             | IN  | 333 | D15             | OUT |
| 364 | D13             | IN  | 332 | D14             | OUT |
| 363 | D12             | IN  | 331 | D13             | OUT |
| 362 | D11             | IN  | 330 | D12             | OUT |
| 361 | D10             | IN  | 329 | D11             | OUT |
| 360 | D9              | IN  | 328 | D10             | OUT |
| 359 | D8              | IN  | 327 | D9              | OUT |
| 358 | D7              | IN  | 326 | D8              | OUT |
| 357 | D6              | IN  | 325 | D7              | OUT |
| 356 | D5              | IN  | 324 | D6              | OUT |
| 355 | D4              | IN  | 323 | D5              | OUT |
| 354 | D3              | IN  | 322 | D4              | OUT |

| Bit | Pin Name        | I/O     | Bit | Pin Name                        | I/O     |
|-----|-----------------|---------|-----|---------------------------------|---------|
| 321 | D3              | OUT     | 288 | D3                              | Control |
| 320 | D2              | OUT     | 287 | D2                              | Control |
| 319 | D1              | OUT     | 286 | D1                              | Control |
| 318 | D0              | OUT     | 285 | D0                              | Control |
| 317 | VBUS/PTM6       | Control | 284 | A0/PTK0                         | IN      |
| 316 | D31/PTB7/PINT15 | Control | 283 | A19/PTK1                        | IN      |
| 315 | D30/PTB6/PINT14 | Control | 282 | A20/PTK2                        | IN      |
| 314 | D29/PTB5/PINT13 | Control | 281 | A21/PTK3                        | IN      |
| 313 | D28/PTB4/PINT12 | Control | 280 | A22/PTK4                        | IN      |
| 312 | D27/PTB3/PINT11 | Control | 279 | A23/PTK5                        | IN      |
| 311 | D26/PTB2/PINT10 | Control | 278 | A24/PTK6                        | IN      |
| 310 | D25/PTB1/PINT9  | Control | 277 | A25/PTK7                        | IN      |
| 309 | D24/PTB0/PINT8  | Control | 276 | $\overline{BS}$ /PTC0           | IN      |
| 308 | D23/PTA7/PINT7  | Control | 275 | $\overline{WE2}$ /DQMUL/PTC1    | IN      |
| 307 | D22/PTA6/PINT6  | Control | 274 | $\overline{WE3}$ /DQMUU/AH/PTC2 | IN      |
| 306 | D21/PTA5/PINT5  | Control | 273 | $\overline{CS2}$ /PTC3          | IN      |
| 305 | D20/PTA4/PINT4  | Control | 272 | $\overline{CS3}$ /PTC4          | IN      |
| 304 | D19/PTA3/PINT3  | Control | 271 | $\overline{CS4}$ /PTC5          | IN      |
| 303 | D18/PTA2/PINT2  | Control | 270 | $\overline{CS5A}$ /PTC6         | IN      |
| 302 | D17/PTA1/PINT1  | Control | 269 | $\overline{CS5B}$ /PTD6         | IN      |
| 301 | D16/PTA0/PINT0  | Control | 268 | $\overline{CS6A}$ /PTC7         | IN      |
| 300 | D15             | Control | 267 | $\overline{CS6B}$ /PTD7         | IN      |
| 299 | D14             | Control | 266 | $\overline{RASL}$ /PTD0         | IN      |
| 298 | D13             | Control | 265 | $\overline{RASU}$ /PTD1         | IN      |
| 297 | D12             | Control | 264 | $\overline{CASL}$ /PTD2         | IN      |
| 296 | D11             | Control | 263 | A0/PTK0                         | OUT     |
| 295 | D10             | Control | 262 | A1                              | OUT     |
| 294 | D9              | Control | 261 | A2                              | OUT     |
| 293 | D8              | Control | 260 | A3                              | OUT     |
| 292 | D7              | Control | 259 | A4                              | OUT     |
| 291 | D6              | Control | 258 | A5                              | OUT     |
| 290 | D5              | Control | 257 | A6                              | OUT     |
| 289 | D4              | Control | 256 | A7                              | OUT     |

| Bit | Pin Name  | I/O | Bit | Pin Name                             | I/O     |
|-----|---|-----|-----|--------------------------------------|---------|
| 255 | A8  | OUT | 222 | $\overline{\text{RASL}}/\text{PTD0}$ | OUT     |
| 254 | A9  | OUT | 221 | $\overline{\text{RASU}}/\text{PTD1}$ | OUT     |
| 253 | A10   | OUT | 220 | $\overline{\text{CASL}}/\text{PTD2}$ | OUT     |
| 252 | A11   | OUT | 219 | A0/PTK0                              | Control |
| 251 | A12   | OUT | 218 | A1                                   | Control |
| 250 | A13   | OUT | 217 | A2                                   | Control |
| 249 | A14   | OUT | 216 | A3                                   | Control |
| 248 | A15   | OUT | 215 | A4                                   | Control |
| 247 | A16   | OUT | 214 | A5                                   | Control |
| 246 | A17   | OUT | 213 | A6                                   | Control |
| 245 | A18   | OUT | 212 | A7                                   | Control |
| 244 | A19/PTK1  | OUT | 211 | A8                                   | Control |
| 243 | A20/PTK2  | OUT | 210 | A9                                   | Control |
| 242 | A21/PTK3  | OUT | 209 | A10                                  | Control |
| 241 | A22/PTK4  | OUT | 208 | A11                                  | Control |
| 240 | A23/PTK5  | OUT | 207 | A12                                  | Control |
| 239 | A24/PTK6  | OUT | 206 | A13                                  | Control |
| 238 | A25/PTK7  | OUT | 205 | A14                                  | Control |
| 237 | $\overline{\text{BS}}/\text{PTC0}$                                    | OUT | 204 | A15                                  | Control |
| 236 | $\overline{\text{RD}}$  | OUT | 203 | A16                                  | Control |
| 235 | $\overline{\text{WE0}}/\text{DQMLL}$                                  | OUT | 202 | A17                                  | Control |
| 234 | $\overline{\text{WE1}}/\text{DQMLU}$                                  | OUT | 201 | A18                                  | Control |
| 233 | $\overline{\text{WE2}}/\text{DQMUL}/\text{PTC1}$                      | OUT | 200 | A19/PTK1                             | Control |
| 232 | $\overline{\text{WE3}}/\text{DQMUU}/\overline{\text{AH}}/\text{PTC2}$ | OUT | 199 | A20/PTK2                             | Control |
| 231 | $\text{RD}/\overline{\text{WR}}$                                      | OUT | 198 | A21/PTK3                             | Control |
| 230 | $\overline{\text{CS0}}$   | OUT | 197 | A22/PTK4                             | Control |
| 229 | $\overline{\text{CS2}}/\text{PTC3}$                                   | OUT | 196 | A23/PTK5                             | Control |
| 228 | $\overline{\text{CS3}}/\text{PTC4}$                                   | OUT | 195 | A24/PTK6                             | Control |
| 227 | $\overline{\text{CS4}}/\text{PTC5}$                                   | OUT | 194 | A25/PTK7                             | Control |
| 226 | $\overline{\text{CS5A}}/\text{PTC6}$                                  | OUT | 193 | $\overline{\text{BS}}/\text{PTC0}$   | Control |
| 225 | $\overline{\text{CS5B}}/\text{PTD6}$                                  | OUT | 192 | $\overline{\text{RD}}$               | Control |
| 224 | $\overline{\text{CS6A}}/\text{PTC7}$                                  | OUT | 191 | $\overline{\text{WE0}}/\text{DQMLL}$ | Control |
| 223 | $\overline{\text{CS6B}}/\text{PTD7}$                                  | OUT | 190 | $\overline{\text{WE1}}/\text{DQMLU}$ | Control |

| Bit | Pin Name                                  | I/O     | Bit | Pin Name                   | I/O |
|-----|---|---------|-----|----------------------------|-----|
| 189 | $\overline{WE2}/DQMUL/PTC1$               | Control | 156 | NF/PTJ5                    | IN  |
| 188 | $\overline{WE3}/DQMUU/\overline{AH}/PTC2$ | Control | 155 | NF/PTJ6                    | IN  |
| 187 | $\overline{RD}/\overline{WR}$             | Control | 154 | NF/PTJ7                    | IN  |
| 186 | $\overline{CS0}$                          | Control | 153 | NF/PTM4                    | IN  |
| 185 | $\overline{CS2}/PTC3$                     | Control | 152 | PTM0                       | IN  |
| 184 | $\overline{CS3}/PTC4$                     | Control | 151 | PTM1                       | IN  |
| 183 | $\overline{CS4}/PTC5$                     | Control | 150 | PTM2                       | IN  |
| 182 | $\overline{CS5A}/PTC6$                    | Control | 149 | PTM3                       | IN  |
| 181 | $\overline{CS5B}/PTD6$                    | Control | 148 | $\overline{ASEBRKAK}/PTF6$ | IN  |
| 180 | $\overline{CS6A}/PTC7$                    | Control | 147 | MD0                        | IN  |
| 179 | $\overline{CS6B}/PTD7$                    | Control | 146 | MD1                        | IN  |
| 178 | $\overline{RASL}/PTD0$                    | Control | 145 | MD2                        | IN  |
| 177 | $\overline{RASU}/PTD1$                    | Control | 144 | MD5                        | IN  |
| 176 | $\overline{CASL}/PTD2$                    | Control | 143 | $\overline{CASU}/PTD3$     | OUT |
| 175 | $\overline{CASU}/PTD3$                    | IN      | 142 | CKE/PTD4                   | OUT |
| 174 | CKE/PTD4                                  | IN      | 141 | PTD5/NF                    | OUT |
| 173 | PTD5/NF                                   | IN      | 140 | $\overline{BACK}/PTG5$     | OUT |
| 172 | $\overline{BACK}/PTG5$                    | IN      | 139 | $\overline{BREQ}/PTG6$     | OUT |
| 171 | $\overline{BREQ}/PTG6$                    | IN      | 138 | $\overline{WAIT}/PTG7$     | OUT |
| 170 | $\overline{WAIT}/PTG7$                    | IN      | 137 | DACK0/PTE0                 | OUT |
| 169 | DACK0/PTE0                                | IN      | 136 | DACK1/PTE1                 | OUT |
| 168 | DACK1/PTE1                                | IN      | 135 | TEND0/PTE3                 | OUT |
| 167 | TEND0/PTE3                                | IN      | 134 | AUDSYNC/PTF4               | OUT |
| 166 | AUDSYNC/PTF4                              | IN      | 133 | AUDATA0/PTF0/TO0           | OUT |
| 165 | AUDATA0/PTF0/TO0                          | IN      | 132 | AUDATA1/PTF1/TO1           | OUT |
| 164 | AUDATA1/PTF1/TO1                          | IN      | 131 | AUDATA2/PTF2/TO2           | OUT |
| 163 | AUDATA2/PTF2/TO2                          | IN      | 130 | AUDATA3/PTF3/TO3           | OUT |
| 162 | AUDATA3/PTF3/TO3                          | IN      | 129 | NF/PTJ0                    | OUT |
| 161 | NF/PTJ0                                   | IN      | 128 | NF/PTJ1                    | OUT |
| 160 | NF/PTJ1                                   | IN      | 127 | NF/PTJ2                    | OUT |
| 159 | NF/PTJ2                                   | IN      | 126 | NF/PTJ3                    | OUT |
| 158 | NF/PTJ3                                   | IN      | 125 | NF/PTJ4                    | OUT |
| 157 | NF/PTJ4                                   | IN      | 124 | NF/PTJ5                    | OUT |

| Bit | Pin Name                                 | I/O     | Bit | Pin Name  | I/O     |
|-----|--|---------|-----|---|---------|
| 123 | NF/PTJ6                                  | OUT     | 90  | PTM2  | Control |
| 122 | NF/PTJ7                                  | OUT     | 89  | PTM3  | Control |
| 121 | NF/PTM4                                  | OUT     | 88  | $\overline{\text{ASEBRKAK}}/\text{PTF6}$            | Control |
| 120 | PTM0                                     | OUT     | 87  | $\text{STATUS0}/\text{PTE4}/\overline{\text{RTS0}}$ | IN      |
| 119 | PTM1                                     | OUT     | 86  | $\text{STATUS1}/\text{PTE5}/\overline{\text{CTS0}}$ | IN      |
| 118 | PTM2                                     | OUT     | 85  | PTN0/SUSPND   | IN      |
| 117 | PTM3                                     | OUT     | 84  | PTN1/TXENL  | IN      |
| 116 | $\overline{\text{ASEBRKAK}}/\text{PTF6}$ | OUT     | 83  | PTN2/XVDATA   | IN      |
| 115 | $\overline{\text{CASU}}/\text{PTD3}$     | Control | 82  | PTN3/TXDMNS   | IN      |
| 114 | CKE/PTD4                                 | Control | 81  | PTN4/TXDPLS   | IN      |
| 113 | PTD5/NF                                  | Control | 80  | PTN5/DMNS   | IN      |
| 112 | $\overline{\text{BACK}}/\text{PTG5}$     | Control | 79  | PTN6/DPLS   | IN      |
| 111 | $\overline{\text{BREQ}}/\text{PTG6}$     | Control | 78  | PTN7  | IN      |
| 110 | $\overline{\text{WAIT}}/\text{PTG7}$     | Control | 77  | TCLK/PTE6   | IN      |
| 109 | DACK0/PTE0                               | Control | 76  | PTE7  | IN      |
| 108 | DACK1/PTE1                               | Control | 75  | SCK0/SCPT1  | IN      |
| 107 | TEND0/PTE3                               | Control | 74  | SCK2/SCPT3  | IN      |
| 106 | AUDSYNC/PTF4                             | Control | 73  | $\overline{\text{RTS2}}/\text{SCPT4}$               | IN      |
| 105 | AUDATA0/PTF0/TO0                         | Control | 72  | RXD0/SCPT0/IrRX                                     | IN      |
| 104 | AUDATA1/PTF1/TO1                         | Control | 71  | RXD2/SCPT2  | IN      |
| 103 | AUDATA2/PTF2/TO2                         | Control | 70  | $\overline{\text{CTS2}}/\text{SCPT5}$               | IN      |
| 102 | AUDATA3/PTF3/TO3                         | Control | 69  | IRQ0/ $\overline{\text{IRL0}}$ /PTH0                | IN      |
| 101 | NF/PTJ0                                  | Control | 68  | IRQ1/ $\overline{\text{IRL1}}$ /PTH1                | IN      |
| 100 | NAF/PTJ1                                 | Control | 67  | IRQ2/ $\overline{\text{IRL2}}$ /PTH2                | IN      |
| 99  | NF/PTJ2                                  | Control | 66  | IRQ3/ $\overline{\text{IRL3}}$ /PTH3                | IN      |
| 98  | NF/PTJ3                                  | Control | 65  | IRQ4/PTH4   | IN      |
| 97  | NF/PTJ4                                  | Control | 64  | IRQ5/PTE2   | IN      |
| 96  | NF/PTJ5                                  | Control | 63  | AUDCK/PTG4  | IN      |
| 95  | NF/PTJ6                                  | Control | 62  | NMI   | IN      |
| 94  | NF/PTJ7                                  | Control | 61  | DREQ0/PTH5  | IN      |
| 93  | NF/PTM4                                  | Control | 60  | DREQ1/PTH6  | IN      |
| 92  | PTM0                                     | Control | 59  | MD3   | IN      |
| 91  | PTM1                                     | Control | 58  | MD4   | IN      |

| Bit | Pin Name                              | I/O | Bit | Pin Name                               | I/O     |
|-----|---------------------------------------|-----|-----|--|---------|
| 57  | AN0/PTL0                              | IN  | 27  | DREQ1/PTH6                             | OUT     |
| 56  | AN1/PTL1                              | IN  | 26  | STATUS0/PTE4/ $\overline{\text{RTS0}}$ | Control |
| 55  | AN2/PTL2                              | IN  | 25  | STATUS1/PTE5/ $\overline{\text{CTS0}}$ | Control |
| 54  | AN3/PTL3                              | IN  | 24  | PTN0/SUSPND                            | Control |
| 53  | $\overline{\text{STATUS0/PTE4/RTS0}}$ | OUT | 23  | PTN1/TXENL                             | Control |
| 52  | $\overline{\text{STATUS1/PTE5/CTS0}}$ | OUT | 22  | PTN2/XVDATA                            | Control |
| 51  | PTN0/SUSPND                           | OUT | 21  | PTN3/TXDMNS                            | Control |
| 50  | PTN1/TXENL                            | OUT | 20  | PTN4/TXDPLS                            | Control |
| 49  | PTN2/XVDATA                           | OUT | 19  | PTN5/DMNS                              | Control |
| 48  | PTN3/TXDMNS                           | OUT | 18  | PTN6/DPLS                              | Control |
| 47  | PTN4/TXDPLS                           | OUT | 17  | PTN7                                   | Control |
| 46  | PTN5/DMNS                             | OUT | 16  | TCLK/PTE6                              | Control |
| 45  | PTN6/DPLS                             | OUT | 15  | PTE7                                   | Control |
| 44  | PTN7                                  | OUT | 14  | TXD0/SCPT0/IrTX                        | Control |
| 43  | TCLK/PTE6                             | OUT | 13  | SCK0/SCPT1                             | Control |
| 42  | PTE7                                  | OUT | 12  | TxD2/SCPT2                             | Control |
| 41  | TXD0/SCPT0/IrTX                       | OUT | 11  | SCK2/SCPT3                             | Control |
| 40  | SCK0/SCPT1                            | OUT | 10  | $\overline{\text{RTS2/SCPT4}}$         | Control |
| 39  | TXD2/SCPT2                            | OUT | 9   | $\overline{\text{CTS2/SCPT5}}$         | Control |
| 38  | SCK2/SCPT3                            | OUT | 8   | IRQ0/ $\overline{\text{IRL0/PTH0}}$    | Control |
| 37  | $\overline{\text{RTS2/SCPT4}}$        | OUT | 7   | IRQ1/ $\overline{\text{IRL1/PTH1}}$    | Control |
| 36  | $\overline{\text{CTS2/SCPT5}}$        | OUT | 6   | IRQ2/ $\overline{\text{IRL2/PTH2}}$    | Control |
| 35  | IRQ0/ $\overline{\text{IRL0/PTH0}}$   | OUT | 5   | IRQ3/ $\overline{\text{IRL3/PTH3}}$    | Control |
| 34  | IRQ1/ $\overline{\text{IRL1/PTH1}}$   | OUT | 4   | IRQ4/PTH4                              | Control |
| 33  | IRQ2/ $\overline{\text{IRL2/PTH2}}$   | OUT | 3   | IRQ5/PTE2                              | Control |
| 32  | IRQ3/ $\overline{\text{IRL3/PTH3}}$   | OUT | 2   | AUDCK/PTG4                             | Control |
| 31  | IRQ4/PTH4                             | OUT | 1   | DREQ0/PTH5                             | Control |
| 30  | IRQ5/PTE2                             | OUT | 0   | DREQ1/PTH6                             | Control |
| 29  | AUDCK/PTG4                            | OUT |     |  |         |
| 28  | DREQ0/PTH5                            | OUT |     |  | to TDO  |

Note: Control is an active-low signal.

When Control is driven low, the corresponding pin is driven by the value of OUT.

### 23.3.4 ID Register (SDID)

SDID is a 32-bit read-only register that consists of connected 16-bit registers SDIDH and SDIDL, each of which can be read by the CPU.

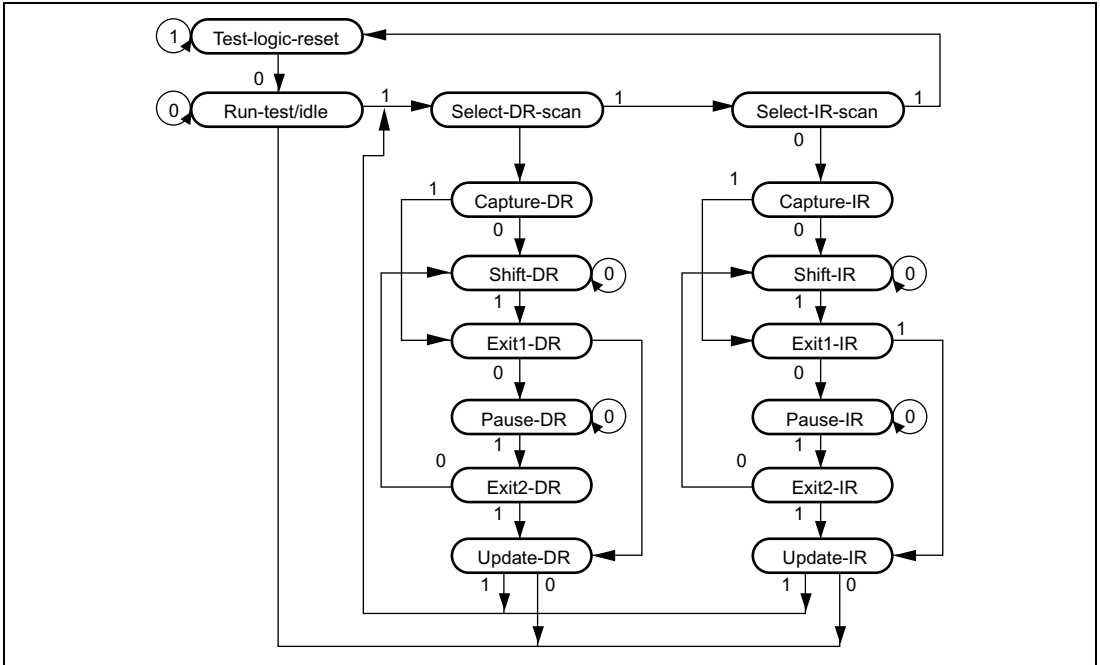
The IDCODE command is set from the UDI pin. This register can be read from the TDO when the TAP state is Shift-DR. Writing is disabled.

| Bit     | Bit Name      | Initial Value        | R/W | Description  |
|---------|---------------|----------------------|-----|--|
| 31 to 0 | DID31 to DID0 | Refer to description | R   | Device ID31 to 0<br>Device ID register that is stipulated by JTAG. H'001A200F (initial value) for this LSI. Upper four bits may be changed by the chip version.<br>SDIDH corresponds to bits 31 to 16.<br>SDIDL corresponds to bits 15 to 0. |

## 23.4 Operation

### 23.4.1 TAP Controller

Figure 23.2 shows the internal states of the TAP controller. State transitions basically conform to the JTAG standard.



**Figure 23.2 TAP Controller State Transitions**

Note: The transition condition is the TMS value at the rising edge of TCK. The TDI value is sampled at the rising edge of TCK; shifting occurs at the falling edge of TCK. For details on change timing of the TDO value, see section 23.4.3, TDO Output Timing. The  $\overline{TDO}$  is at high impedance, except with shift-DR and shift-IR states. During the change to  $\overline{TRST} = 0$ , there is a transition to test-logic-reset asynchronously with TCK.



## 23.4.2 Reset Configuration

**Table 23.4 Reset Configuration**

| $\overline{\text{ASEMD0}}^{*1}$ | $\overline{\text{RESETP}}$ | $\overline{\text{TRST}}$ | Chip State   |
|---------------------------------|----------------------------|--------------------------|--|
| H                               | L                          | L                        | Normal reset and UDI reset <sup>*4</sup>   |
|                                 |                            | H                        | Normal reset <sup>*4</sup>   |
|                                 | H                          | L                        | UDI reset only   |
|                                 |                            | H                        | Normal operation   |
| L                               | L                          | L                        | Reset hold <sup>*2</sup>   |
|                                 |                            | H                        | In ASE user mode <sup>*3</sup> : Normal reset<br>In ASE break mode <sup>*3</sup> : $\overline{\text{RESETP}}$ assert is masked |
|                                 | H                          | L                        | UDI reset only   |
|                                 |                            | H                        | Normal operation   |

Notes: 1. Performs normal mode and ASE mode settings

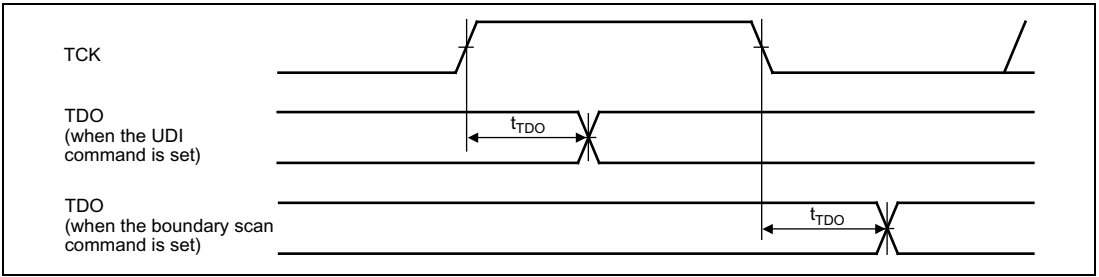
$\overline{\text{ASEMD0}} = \text{H}$ , normal mode

$\overline{\text{ASEMD0}} = \text{L}$ , ASE mode

- In ASE mode, reset hold is enabled by driving the  $\overline{\text{RESETP}}$  and  $\overline{\text{TRST}}$  pins low for a constant cycle. In this state, the CPU does not start up, even if  $\overline{\text{RESETP}}$  is driven high. When  $\overline{\text{TRST}}$  is driven high, UDI operation is enabled, but the CPU does not start up. The reset hold state is canceled by the following:
  - Another  $\overline{\text{RESETP}}$  assert (power-on reset)
  - $\overline{\text{TRST}}$  reassert
- ASE mode is classified into two modes; ASE break mode to execute the firm program of an emulator and ASE user mode to execute the user program.
- Make sure the  $\overline{\text{TRST}}$  pin is low when the power is turned on.

## 23.4.3 TDO Output Timing

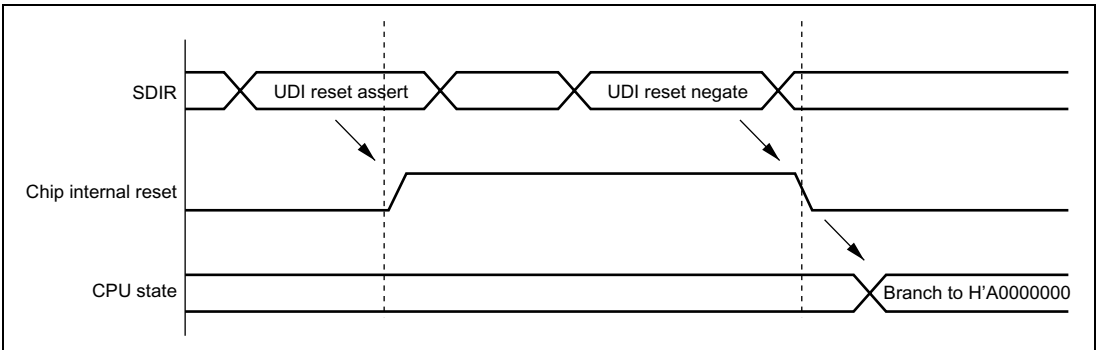
The timing of data output from the TDO is switched by the command type set in the SDIR. The timing changes at the TCK falling edge when JTAG commands (EXTEST, CLAMP, HIGHZ, SAMPLE/PRELOAD, IDCODE, and BYPASS) are set. This is a timing of the JTAG standard. When the UDI commands (UDI reset negate, UDI reset assert, and UDI interrupt) are set, TDO is output at the TCK rising edge earlier than the JTAG standard by a half cycle.



**Figure 23.3 UDI Data Transfer Timing**

### 23.4.4 UDI Reset

An UDI reset is executed by setting an UDI reset assert command in SDIR. An UDI reset is of the same kind as a power-on reset. An UDI reset is released by inputting an UDI reset negate command. The required time between the UDI reset assert command and UDI reset negate command is the same as time for keeping the  $\overline{\text{RESETP}}$  pin low to apply a power-on reset.



**Figure 23.4 UDI Reset**

### 23.4.5 UDI Interrupt

The UDI interrupt function generates an interrupt by setting a command from the UDI in the SDIR. An UDI interrupt is a general exception/interrupt operation, resulting in a branch to an address based on the VBR value plus offset, and with return by the RTE instruction. This interrupt request has a fixed priority level of 15.

UDI interrupts are accepted in sleep mode, but not in standby mode.

## 23.5 Boundary Scan

A command can be set in SDIR by the UDI to place the UDI pins in boundary scan mode stipulated by JTAG.

### 23.5.1 Supported Instructions

This LSI supports the three essential instructions defined in the JTAG standard (BYPASS, SAMPLE/PRELOAD, and EXTEST) and three option instructions (IDCODE, CLAMP, and HIGHZ).

#### 1. BYPASS:

The BYPASS instruction is an essential standard instruction that operates the bypass register. This instruction shortens the shift path to speed up serial data transfer involving other chips on the printed circuit board. While this instruction is executing, the test circuit has no effect on the system circuits. The upper four bits of the instruction code are 1111.

#### 2. SAMPLE/PRELOAD:

The SAMPLE/PRELOAD instruction inputs values from this LSI's internal circuitry to the boundary scan register, outputs values from the scan path, and loads data onto the scan path. When this instruction is executing, this LSI's input pin signals are transmitted directly to the internal circuitry, and internal circuit values are directly output externally from the output pins. This LSI's system circuits are not affected by execution of this instruction. The upper four bits of the instruction code are 0100.

In a SAMPLE operation, a snapshot of a value to be transferred from an input pin to the internal circuitry, or a value to be transferred from the internal circuitry to an output pin, is latched into the boundary scan register and read from the scan path. Snapshot latching is performed in synchronization with the rise of TCK in the Capture-DR state. Snapshot latching does not affect normal operation of this LSI.

In a PRELOAD operation, an initial value is set in the parallel output latch of the boundary scan register from the scan path prior to the EXTEST instruction. Without a PRELOAD operation, when the EXTEST instruction was executed an undefined value would be output from the output pin until completion of the initial scan sequence (transfer to the output latch) (with the EXTEST instruction, the parallel output latch value is constantly output to the output pin).

### 3. EXTEST:

This instruction is provided to test external circuitry when this LSI is mounted on a printed circuit board. When this instruction is executed, output pins are used to output test data (previously set by the SAMPLE/PRELOAD instruction) from the boundary scan register to the printed circuit board, and input pins are used to latch test results into the boundary scan register from the printed circuit board. If testing is carried out by using the EXTEST instruction N times, the Nth test data is scanned-in when test data (N-1) is scanned out.

Data loaded into the output pin boundary scan register in the Capture-DR state is not used for external circuit testing (it is replaced by a shift operation).

The upper four bits of the instruction code are 0000.

### 4. IDCODE:

A command can be set in SDIR by the UDI pins to place the UDI pins in the IDCODE mode stipulated by JTAG. When the UDI is initialized ( $\overline{\text{TRST}}$  is asserted or TAP is in the Test-Logic-Reset state), the IDCODE mode is entered.

### 5. CLAMP, HIGHZ:

A command can be set in SDIR by the UDI pins to place the UDI pins in the CLAMP or HIGHZ mode stipulated by JTAG.

## 23.5.2 Points for Attention

1. Boundary scan mode does not cover clock-related signals (EXTAL, EXTAL2, XTAL, XTAL2, EXTAL\_USB, XTAL\_USB, and CKIO).
2. Boundary scan mode does not cover reset-related signals ( $\overline{\text{RESETP}}$ ,  $\overline{\text{RESETM}}$ , and CA).
3. Boundary scan mode does not cover UDI-related signals (TCK, TDI, TDO, TMS, and  $\overline{\text{TRST}}$ ).
4. Fix the  $\overline{\text{RESETP}}$  pin low during boundary scan.
5. Fix the CA pin high during boundary scan.
6. Fix the  $\overline{\text{ASEMD0}}$  pin high during boundary scan.
7. The CKIO cock should operate during boundary scan. The MD[2:0] pin should be set to the clock mode used during normal operation, and EXTAL and CKIO should be set within the frequency range specified in the Clock Pulse Generator (CPG) section.

As during normal operation, the boundary scan test should be performed after allowing sufficient settling time for the crystal oscillator, PLL1, and PLL2.

## 23.6 Usage Notes

1. An UDI command, once set, will not be modified as long as another command is not re-issued from the UDI. If the same command is given continuously, the command must be set after a command (BYPASS, etc.) that does not affect chip operations is once set.
2. Because chip operations are suspended in standby mode, UDI commands are not accepted. To keep the TAP state constant before and after standby mode, TCK must be high during standby mode transition.
3. The UDI is used for emulator connection. Therefore, UDI functions cannot be used when using an emulator.

## 23.7 Advanced User Debugger (AUD)

The AUD is a function only for an emulator. For details on the AUD, refer to each emulator's User's Manual.



# Section 24 List of Registers

This section gives information on the on-chip I/O registers and is configured as described below.

1. Register Addresses (by functional module, in order of the corresponding section numbers)
  - Descriptions by functional module, in order of the corresponding section numbers  
Entries that consist of — lines are for separation of the functional modules.
  - Access to reserved addresses which are not described in this list is prohibited.
  - When registers consist of 16 or 32 bits, the addresses of the MSBs are given, on the presumption of a big-endian system.
2. Register Bits
  - Bit configurations of the registers are described in the same order as the Register Addresses (by functional module, in order of the corresponding section numbers).
  - Reserved bits are indicated by — in the bit name.
  - No entry in the bit-name column indicates that the whole register is allocated as a counter or for holding data.
  - When registers consist of 16 or 32 bits, bits are described from the MSB side.  
The order in which bytes are described is on the presumption of a big-endian system.
3. Register States in Each Operating Mode
  - Register states are described in the same order as the Register Addresses (by functional module, in order of the corresponding section numbers).
  - For the initial state of each bit, refer to the description of the register in the corresponding section.
  - The register states described are for the basic operating modes. If there is a specific reset for an on-chip module, refer to the section on that on-chip module.

## 24.1 Register Addresses (by functional module, in order of the corresponding section numbers)

Entries under Access size indicates numbers of bits.

Note: Access to undefined or reserved addresses is prohibited. Since operation or continued operation is not guaranteed when these registers are accessed, do not attempt such access.

| Register Name                               | Abbreviation | Number of Bits | Address     | Module             | Access Size |
|---|--------------|----------------|-------------|--------------------|-------------|
| MMU control register                        | MMUCR        | 32             | H'FFFF FFE0 | MMU                | 32          |
| Page table entry register high              | PTEH         | 32             | H'FFFF FFF0 |                    | 32          |
| Page table entry register low               | PTEL         | 32             | H'FFFF FFF4 |                    | 32          |
| Translation table base register             | TTB          | 32             | H'FFFF FFF8 |                    | 32          |
| —   | —            | —              | —           | —                  | —           |
| Cache control register 1                    | CCR1         | 32             | H'FFFF FFEC | Cache              | 32          |
| Cache control register 2                    | CCR2         | 32             | H'A400 00B0 |                    | 32          |
| Cache control register 3                    | CCR3         | 32             | H'A400 00B4 |                    | 32          |
| —   | —            | —              | —           | —                  | —           |
| Interrupt event register 2                  | INTEVT2      | 32             | H'A400 0000 | Exception handling | 32          |
| TRAPA exception register                    | TRA          | 32             | H'FFFF FFD0 |                    | 32          |
| Exception event register                    | EXPEVT       | 32             | H'FFFF FFD4 |                    | 32          |
| Interrupt event register                    | INTEVT       | 32             | H'FFFF FFD8 |                    | 32          |
| TLB exception address register              | TEA          | 32             | H'FFFF FFFC |                    | 32          |
| —   | —            | —              | —           | —                  | —           |
| Interrupt priority level setting register A | IPRA         | 16             | H'FFFF FEE2 | INTC               | 16          |
| Interrupt priority level setting register B | IPRB         | 16             | H'FFFF FEE4 |                    | 16          |
| Interrupt priority level setting register C | IPRC         | 16             | H'A400 0016 |                    | 16          |
| Interrupt priority level setting register D | IPRD         | 16             | H'A400 0018 |                    | 16          |
| Interrupt priority level setting register E | IPRE         | 16             | H'A400 001A |                    | 16          |
| Interrupt priority level setting register F | IPRF         | 16             | H'A408 0000 |                    | 16          |
| Interrupt priority level setting register G | IPRG         | 16             | H'A408 0002 |                    | 16          |
| Interrupt priority level setting register H | IPRH         | 16             | H'A408 0004 |                    | 16          |



| Register Name                         | Abbreviation | Number of Bits | Address       | Module | Access Size |
|---------------------------------------|--------------|----------------|---------------|--------|-------------|
| Interrupt control register 0          | ICR0         | 16             | H'FFFF FEE0   | INTC   | 16          |
| Interrupt control register 1          | ICR1         | 16             | H'A400 0010   |        | 16          |
| Interrupt control register 2          | ICR2         | 16             | H'A400 0012   |        | 16          |
| Interrupt request register 0          | IRR0         | 8              | H'A400 0004   |        | 8           |
| Interrupt request register 1          | IRR1         | 8              | H'A400 0006   |        | 8           |
| Interrupt request register 2          | IRR2         | 8              | H'A400 0008   |        | 8           |
| PINT interrupt enable register        | PINTER       | 16             | H'A400 0014   |        | 16          |
| —                                     | —            | —              | —             | —      | —           |
| Common control register               | CMNCR        | 32             | H'A4FD 0000   | BSC    | 32          |
| Bus control register for CS0 space    | CS0BCR       | 32             | H'A4FD 0004   |        | 32          |
| Bus control register for CS2 space    | CS2BCR       | 32             | H'A4FD 0008   |        | 32          |
| Bus control register for CS3 space    | CS3BCR       | 32             | H'A4FD 000C   |        | 32          |
| Bus control register for CS4 space    | CS4BCR       | 32             | H'A4FD 0010   |        | 32          |
| Bus control register for CS5A space   | CS5ABCR      | 32             | H'A4FD 0014   |        | 32          |
| Bus control register for CS5B space   | CS5BBCR      | 32             | H'A4FD 0018   |        | 32          |
| Bus control register for CS6A space   | CS6ABCR      | 32             | H'A4FD 001C   |        | 32          |
| Bus control register for CS6B space   | CS6BBCR      | 32             | H'A4FD 0020   |        | 32          |
| Wait control register for CS0 space   | CS0WCR       | 32             | H'A4FD 0024   |        | 32          |
| Wait control register for CS2 space   | CS2 WCR      | 32             | H'A4FD 0028   |        | 32          |
| Wait control register for CS3 space   | CS3 WCR      | 32             | H'A4FD 002C   |        | 32          |
| Wait control register for CS4 space   | CS4 WCR      | 32             | H'A4FD 0030   |        | 32          |
| Wait control register for CS5A space  | CS5A WCR     | 32             | H'A4FD 0034   |        | 32          |
| Wait control register for CS5B space  | CS5B WCR     | 32             | H'A4FD 0038   |        | 32          |
| Wait control register for CS6A space  | CS6A WCR     | 32             | H'A4FD 003C   |        | 32          |
| Wait control register for CS6B space  | CS6B WCR     | 32             | H'A4FD 0040   |        | 32          |
| SDRAM control register                | SDCR         | 32             | H'A4FD 0044   |        | 32          |
| Refresh timer control/status register | RTCSR        | 32             | H'A4FD 0048   |        | 32          |
| Refresh timer counter                 | RTCNT        | 32             | H'A4FD 004C   |        | 32          |
| Refresh time constant register        | RTCOR        | 32             | H'A4FD 0050   |        | 32          |
| SDRAM mode register for CS2 space     | SDMR2        | —              | H'A4FD 4xxx*2 |        | 16          |
| SDRAM mode register for CS3 space     | SDMR3        | —              | H'A4FD 5xxx*2 |        | 16          |
| —                                     | —            | —              | —             | —      | —           |

| Register Name                          | Abbreviation | Number of Bits | Address     | Module           | Access Size |
|--|--------------|----------------|-------------|------------------|-------------|
| DMA source address register_0          | SAR_0        | 32             | H'A400 0020 | DMAC             | 16/32       |
| DMA destination address register_0     | DAR_0        | 32             | H'A400 0024 |                  | 16/32       |
| DMA transfer count register_0          | DMATCR_0     | 32             | H'A400 0028 |                  | 16/32       |
| DMA channel control register_0         | CHCR_0       | 32             | H'A400 002C |                  | 8/16/32     |
| DMA source address register_1          | SAR_1        | 32             | H'A400 0030 |                  | 16/32       |
| DMA destination address register_1     | DAR_1        | 32             | H'A400 0034 |                  | 16/32       |
| DMA transfer count register_1          | DMATCR_1     | 32             | H'A400 0038 |                  | 16/32       |
| DMA channel control register_1         | CHCR_1       | 32             | H'A400 003C |                  | 8/16/32     |
| DMA source address register_2          | SAR_2        | 32             | H'A400 0040 |                  | 16/32       |
| DMA destination address register_2     | DAR_2        | 32             | H'A400 0044 |                  | 16/32       |
| DMA transfer count register_2          | DMATCR_2     | 32             | H'A400 0048 |                  | 16/32       |
| DMA channel control register_2         | CHCR_2       | 32             | H'A400 004C |                  | 8/16/32     |
| DMA source address register_3          | SAR_3        | 32             | H'A400 0050 |                  | 16/32       |
| DMA destination address register_3     | DAR_3        | 32             | H'A400 0054 |                  | 16/32       |
| DMA transfer count register_3          | DMATCR_3     | 32             | H'A400 0058 |                  | 16/32       |
| DMA channel control register_3         | CHCR_3       | 32             | H'A400 005C |                  | 8/16/32     |
| DMA operation register                 | DMAOR        | 16             | H'A400 0060 |                  | 8/16        |
| DMA extended resource selector 0       | DMARS0       | 16             | H'A409 0000 |                  | 16          |
| DMA extended resource selector 1       | DMARS1       | 16             | H'A409 0004 |                  | 16          |
| —                                      | —            | —              | —           | —                | —           |
| USB clock control register             | UCLKCR       | 8              | H'A40A 0008 | CPG              | 8/16*1      |
| Frequency control register             | FRQCR        | 16             | H'FFFF FF80 |                  | 16          |
| —                                      | —            | —              | —           | —                | —           |
| Watchdog timer counter                 | WTCNT        | 8              | H'FFFF FF84 | WDT              | 8/16*1      |
| Watchdog timer control/status register | WTCSR        | 8              | H'FFFF FF86 |                  | 8/16*1      |
| —                                      | —            | —              | —           | —                | —           |
| Standby control register               | STBCR        | 8              | H'FFFF FF82 | Power-down modes | 8           |
| Standby control register 2             | STBCR2       | 8              | H'FFFF FF88 |                  | 8           |
| Standby control register 3             | STBCR3       | 8              | H'A40A 0000 |                  | 8           |
| —                                      | —            | —              | —           | —                | —           |

| Register Name                               | Abbreviation | Number of Bits | Address     | Module | Access Size |
|---|--------------|----------------|-------------|--------|-------------|
| Timer start register                        | TSTR         | 8              | H'FFFF FE92 | TMU    | 8           |
| Timer constant register_0                   | TCOR_0       | 32             | H'FFFF FE94 |        | 32          |
| Timer counter_0                             | TCNT_0       | 32             | H'FFFF FE98 |        | 32          |
| Timer control register_0                    | TCR_0        | 16             | H'FFFF FE9C |        | 16          |
| Timer constant register_1                   | TCOR_1       | 32             | H'FFFF FEA0 |        | 32          |
| Timer counter_1                             | TCNT_1       | 32             | H'FFFF FEA4 |        | 32          |
| Timer control register_1                    | TCR_1        | 16             | H'FFFF FEA8 |        | 16          |
| Timer constant register_2                   | TCOR_2       | 32             | H'FFFF FEAC |        | 32          |
| Timer counter_2                             | TCNT_2       | 32             | H'FFFF FEB0 |        | 32          |
| Timer control register_2                    | TCR_2        | 16             | H'FFFF FEB4 |        | 16          |
| Input capture register_2                    | TCPR_2       | 32             | H'FFFF FEB8 |        | 32          |
| —   | —            | —              | —           | —      | —           |
| Compare match timer start register          | CMSTR        | 16             | H'A400 0070 | CMT    | 16          |
| Compare match timer control/status register | CMCSR        | 16             | H'A400 0074 |        | 16          |
| Compare match timer counter                 | CMCNT        | 16             | H'A400 0078 |        | 16          |
| Compare match timer constant register       | CMCOR        | 16             | H'A400 007C |        | 16          |
| —   | —            | —              | —           | —      | —           |
| Timer start register                        | TSTR         | 16             | H'A449 0000 | TPU    | 16          |
| Timer control register_0                    | TCR_0        | 16             | H'A449 0010 |        | 16          |
| Timer mode register_0                       | TMDR_0       | 16             | H'A449 0014 |        | 16          |
| Timer I/O control register_0                | TIOR_0       | 16             | H'A449 0018 |        | 16          |
| Timer interrupt enable register_0           | TIER_0       | 16             | H'A449 001C |        | 16          |
| Timer status register_0                     | TSR_0        | 16             | H'A449 0020 |        | 16          |
| Timer counter_0                             | TCNT_0       | 16             | H'A449 0024 |        | 16          |
| Timer general register A_0                  | TGRA_0       | 16             | H'A449 0028 |        | 16          |
| Timer general register B_0                  | TGRB_0       | 16             | H'A449 002C |        | 16          |
| Timer general register C_0                  | TGRC_0       | 16             | H'A449 0030 |        | 16          |
| Timer general register D_0                  | TGRD_0       | 16             | H'A449 0034 |        | 16          |
| Timer control register_1                    | TCR_1        | 16             | H'A449 0050 |        | 16          |
| Timer mode register_1                       | TMDR_1       | 16             | H'A449 0054 |        | 16          |
| Timer I/O control register_1                | TIOR_1       | 16             | H'A449 0058 |        | 16          |

| Register Name                     | Abbreviation | Number of Bits | Address     | Module | Access Size |
|-----------------------------------|--------------|----------------|-------------|--------|-------------|
| Timer interrupt enable register_1 | TIER_1       | 16             | H'A449 005C | TPU    | 16          |
| Timer status register_1           | TSR_1        | 16             | H'A449 0060 |        | 16          |
| Timer counter_1                   | TCNT_1       | 16             | H'A449 0064 |        | 16          |
| Timer general register A_1        | TGRA_1       | 16             | H'A449 0068 |        | 16          |
| Timer general register B_1        | TGRB_1       | 16             | H'A449 006C |        | 16          |
| Timer general register C_1        | TGRC_1       | 16             | H'A449 0070 |        | 16          |
| Timer general register D_1        | TGRD_1       | 16             | H'A449 0074 |        | 16          |
| Timer control register_2          | TCR_2        | 16             | H'A449 0090 |        | 16          |
| Timer mode register_2             | TMDR_2       | 16             | H'A449 0094 |        | 16          |
| Timer I/O control register_2      | TIOR_2       | 16             | H'A449 0098 |        | 16          |
| Timer interrupt enable register_2 | TIER_2       | 16             | H'A449 009C |        | 16          |
| Timer status register_2           | TSR_2        | 16             | H'A449 00A0 |        | 16          |
| Timer counter_2                   | TCNT_2       | 16             | H'A449 00A4 |        | 16          |
| Timer general register A_2        | TGRA_2       | 16             | H'A449 00A8 |        | 16          |
| Timer general register B_2        | TGRB_2       | 16             | H'A449 00AC |        | 16          |
| Timer general register C_2        | TGRC_2       | 16             | H'A449 00B0 |        | 16          |
| Timer general register D_2        | TGRD_2       | 16             | H'A449 00B4 |        | 16          |
| Timer control register_3          | TCR_3        | 16             | H'A449 00D0 |        | 16          |
| Timer mode register_3             | TMDR_3       | 16             | H'A449 00D4 |        | 16          |
| Timer I/O control register_3      | TIOR_3       | 16             | H'A449 00D8 |        | 16          |
| Timer interrupt enable register_3 | TIER_3       | 16             | H'A449 00DC |        | 16          |
| Timer status register_3           | TSR_3        | 16             | H'A449 00E0 |        | 16          |
| Timer counter_3                   | TCNT_3       | 16             | H'A449 00E4 |        | 16          |
| Timer general register A_3        | TGRA_3       | 16             | H'A449 00E8 |        | 16          |
| Timer general register B_3        | TGRB_3       | 16             | H'A449 00EC |        | 16          |
| Timer general register C_3        | TGRC_3       | 16             | H'A449 00F0 |        | 16          |
| Timer general register D_3        | TGRD_3       | 16             | H'A449 00F4 |        | 16          |
| —                                 | —            | —              | —           | —      | —           |

| Register Name                 | Abbreviation | Number of Bits | Address     | Module      | Access Size |
|-------------------------------|--------------|----------------|-------------|-------------|-------------|
| 64-Hz counter                 | R64CNT       | 8              | H'FFFF FEC0 | RTC         | 8           |
| Second counter                | RSECCNT      | 8              | H'FFFF FEC2 |             | 8           |
| Minute counter                | RMINCNT      | 8              | H'FFFF FEC4 |             | 8           |
| Hour counter                  | RHRCNT       | 8              | H'FFFF FEC6 |             | 8           |
| Day of week counter           | RWKCNT       | 8              | H'FFFF FEC8 |             | 8           |
| Date counter                  | RDAYCNT      | 8              | H'FFFF FECA |             | 8           |
| Month counter                 | RMONCNT      | 8              | H'FFFF FECC |             | 8           |
| Year counter                  | RYRCNT       | 16             | H'FFFF FECE |             | 16          |
| Second alarm register         | RSECAR       | 8              | H'FFFF FED0 |             | 8           |
| Minute alarm register         | RMINAR       | 8              | H'FFFF FED2 |             | 8           |
| Hour alarm register           | RHRAR        | 8              | H'FFFF FED4 |             | 8           |
| Day of week alarm register    | RWKAR        | 8              | H'FFFF FED6 |             | 8           |
| Date alarm register           | RDAYAR       | 8              | H'FFFF FED8 |             | 8           |
| Month alarm register          | RMONAR       | 8              | H'FFFF FEDA |             | 8           |
| RTC control register 1        | RCR1         | 8              | H'FFFF FEDC |             | 8           |
| RTC control register 2        | RCR2         | 8              | H'FFFF FEDE |             | 8           |
| Year alarm register           | RYRAR        | 16             | H'A413 FEE0 |             | 16          |
| RTC control register 3        | RCR3         | 8              | H'A413 FEE4 |             | 8           |
| —                             | —            | —              | —           | —           | —           |
| Serial mode register_0        | SCSMR_0      | 16             | H'A440 0000 | SCIF_0      | 16          |
| Bit rate register_0           | SCBRR_0      | 8              | H'A440 0004 | (Channel 0) | 8           |
| Serial control register_0     | SCSCR_0      | 16             | H'A440 0008 |             | 16          |
| Transmit data stop register_0 | SCTDSR_0     | 8              | H'A440 000C |             | 8           |
| FIFO error count register_0   | SCFER_0      | 16             | H'A440 0010 |             | 16          |
| Serial status register_0      | SCSSR_0      | 16             | H'A440 0014 |             | 16          |
| FIFO control register_0       | SCFCR_0      | 16             | H'A440 0018 |             | 16          |
| FIFO data count register_0    | SCFDR_0      | 16             | H'A440 001C |             | 16          |
| Transmit FIFO data register_0 | SCFTDR_0     | 8              | H'A440 0020 |             | 8           |
| Receive FIFO data register_0  | SCFRDR_0     | 8              | H'A440 0024 |             | 8           |
| —                             | —            | —              | —           | —           | —           |

| Register Name                   | Abbreviation | Number of Bits | Address     | Module      | Access Size |
|---------------------------------|--------------|----------------|-------------|-------------|-------------|
| Serial mode register_2          | SCSMR_2      | 16             | H'A441 0000 | SCIF_2      | 16          |
| Bit rate register_2             | SCBRR_2      | 8              | H'A441 0004 | (Channel 2) | 8           |
| Serial control register_2       | SCSCR_2      | 16             | H'A441 0008 |             | 16          |
| Transmit data stop register_2   | SCTDSR_2     | 8              | H'A441 000C |             | 8           |
| FIFO error count register_2     | SCFER_2      | 16             | H'A441 0010 |             | 16          |
| Serial status register_2        | SCSSR_2      | 16             | H'A441 0014 |             | 16          |
| FIFO control register_2         | SCFCR_2      | 16             | H'A441 0018 |             | 16          |
| FIFO data count register_2      | SCFDR_2      | 16             | H'A441 001C |             | 16          |
| Transmit FIFO data register_2   | SCFTDR_2     | 8              | H'A441 0020 |             | 8           |
| Receive FIFO data register_2    | SCFRDR_2     | 8              | H'A441 0024 |             | 8           |
| —                               | —            | —              | —           | —           | —           |
| IrDA mode register              | SCSMR_Ir     | 16             | H'A44A 0000 | IrDA        | 16          |
| —                               | —            | —              | —           | —           | —           |
| EP0i data register              | EPDR0i       | 8B             | H'A448 0000 | USB         | 8           |
| EP0o data register              | EPDR0o       | 8B             | H'A448 0004 |             | 8           |
| EP0s data register              | EPDR0s       | 8B             | H'A448 0008 |             | 8           |
| EP1 data register               | EPDR1        | 128B           | H'A448 000C |             | 8/32        |
| EP2 data register               | EPDR2        | 128B           | H'A448 0010 |             | 8/32        |
| EP3 data register               | EPDR3        | 8B             | H'A448 0014 |             | 8           |
| Interrupt flag register 0       | IFR0         | 8              | H'A448 0018 |             | 8           |
| Interrupt flag register 1       | IFR1         | 8              | H'A448 001C |             | 8           |
| Trigger register                | TRG          | 8              | H'A448 0020 |             | 8           |
| FIFO clear register             | FCLR         | 8              | H'A448 0024 |             | 8           |
| EP0o receive data size register | EPSZ0o       | 8              | H'A448 0028 |             | 8           |
| Data status register            | DASTS        | 8              | H'A448 002C |             | 8           |
| Endpoint stall register         | EPSTL        | 8              | H'A448 0030 |             | 8           |
| Interrupt enable register 0     | IER0         | 8              | H'A448 0034 |             | 8           |
| Interrupt enable register 1     | IER1         | 8              | H'A448 0038 |             | 8           |
| EP1 receive data size register  | EPSZ1        | 8              | H'A448 003C |             | 8           |
| DMA transfer setting register   | DMAR         | 8              | H'A448 0040 |             | 8           |
| Interrupt select register 0     | ISR0         | 8              | H'A448 0044 |             | 8           |
| Interrupt select register 1     | ISR1         | 8              | H'A448 0048 |             | 8           |
| Transceiver control register    | XVERCR       | 8              | H'A448 0060 |             | 8           |

| Register Name             | Abbreviation | Number of Bits | Address     | Module | Access Size |
|---------------------------|--------------|----------------|-------------|--------|-------------|
| —                         | —            | —              | —           | —      | —           |
| Port A control register   | PACR         | 16             | H'A400 0100 | PFC    | 16          |
| Port B control register   | PBCR         | 16             | H'A400 0102 |        | 16          |
| Port C control register   | PCCR         | 16             | H'A400 0104 |        | 16          |
| Port D control register   | PDCR         | 16             | H'A400 0106 |        | 16          |
| Port E control register   | PECR         | 16             | H'A400 0108 |        | 16          |
| Port E control register 2 | PECR2        | 8              | H'A405 0148 |        | 8           |
| Port F control register   | PFCR         | 16             | H'A400 010A |        | 16          |
| Port F control register 2 | PFCR2        | 8              | H'A405 014A |        | 8           |
| Port G control register   | PGCR         | 16             | H'A400 010C |        | 16          |
| Port H control register   | PHCR         | 16             | H'A400 010E |        | 16          |
| Port J control register   | PJCR         | 16             | H'A400 0110 |        | 16          |
| Port K control register   | PKCR         | 16             | H'A400 0112 |        | 16          |
| Port L control register   | PLCR         | 16             | H'A400 0114 |        | 16          |
| Port SC control register  | SCPCR        | 16             | H'A400 0116 |        | 16          |
| Port M control register   | PMCR         | 16             | H'A400 0118 |        | 16          |
| Port N control register   | PNCR         | 16             | H'A400 011A |        | 16          |
| Port N control register 2 | PNCR2        | 8              | H'A405 015A |        | 8           |
| —                         | —            | —              | —           | —      | —           |
| Port A data register      | PADR         | 8              | H'A400 0120 | Port   | 8           |
| Port B data register      | PBDR         | 8              | H'A400 0122 |        | 8           |
| Port C data register      | PCDR         | 8              | H'A400 0124 |        | 8           |
| Port D data register      | PDDR         | 8              | H'A400 0126 |        | 8           |
| Port E data register      | PEDR         | 8              | H'A400 0128 |        | 8           |
| Port F data register      | PFDR         | 8              | H'A400 012A |        | 8           |
| Port G data register      | PGDR         | 8              | H'A400 012C |        | 8           |
| Port H data register      | PHDR         | 8              | H'A400 012E |        | 8           |
| Port J data register      | PJDR         | 8              | H'A400 0130 |        | 8           |
| Port K data register      | PKDR         | 8              | H'A405 0132 |        | 8           |
| Port L data register      | PLDR         | 8              | H'A400 0134 |        | 8           |
| SC port data register     | SCPDR        | 8              | H'A400 0136 |        | 8           |
| Port M data register      | PMDR         | 8              | H'A400 0138 |        | 8           |
| Port N data register      | PNDR         | 8              | H'A400 013A |        | 8           |

| Register Name                  | Abbreviation | Number of Bits | Address     | Module | Access Size |    |
|--------------------------------|--------------|----------------|-------------|--------|-------------|----|
| —                              | —            | —              | —           | —      | —           |    |
| A/D data register A            | ADDRA        | 16             | H'A400 0080 | ADC    | 16          |    |
| A/D data register B            | ADDRB        | 16             | H'A400 0082 |        | 16          |    |
| A/D data register C            | ADDRC        | 16             | H'A400 0084 |        | 16          |    |
| A/D data register D            | ADDRD        | 16             | H'A400 0086 |        | 16          |    |
| A/D control/status register    | ADCSR        | 16             | H'A400 0088 |        | 16          |    |
| —                              | —            | —              | —           | —      | —           |    |
| Break data register B          | BDRB         | 32             | H'FFFF FF90 | UBC    | 32          |    |
| Break data mask register B     | BDMRB        | 32             | H'FFFF FF94 |        | 32          |    |
| Break control register         | BRCR         | 32             | H'FFFF FF98 |        | 32          |    |
| Execution count break register | BETR         | 16             | H'FFFF FF9C |        | 16          |    |
| Break address register B       | BARB         | 32             | H'FFFF FFA0 |        | 32          |    |
| Break address mask register B  | BAMRB        | 32             | H'FFFF FFA4 |        | 32          |    |
| Break bus cycle register B     | BBRB         | 16             | H'FFFF FFA8 |        | 16          |    |
| Branch source register         | BRSR         | 32             | H'FFFF FFAC |        | 32          |    |
| Break address register A       | BARA         | 32             | H'FFFF FFB0 |        | 32          |    |
| Break address mask register A  | BAMRA        | 32             | H'FFFF FFB4 |        | 32          |    |
| Break bus cycle register A     | BBRA         | 16             | H'FFFF FFB8 |        | 16          |    |
| Branch destination register    | BRDR         | 32             | H'FFFF FFBC |        | 32          |    |
| Break ASID register A          | BASRA        | 8              | H'FFFF FFE4 |        | 8           |    |
| Break ASID register B          | BASRB        | 8              | H'FFFF FFE8 |        | 8           |    |
| —                              | —            | —              | —           |        | —           | —  |
| Instruction register           | SDIR         | 16             | H'A400 0200 |        | UDI         | 16 |
| ID register                    | SDID/SDIDH   | 16             | H'A400 0214 |        |             | 16 |
| ID register                    | SDIDL        | 16             | H'A400 0216 |        |             | 16 |

- Notes: 1. 8 bits when reading and 16 bits when writing.  
2. The value of xxx depends on the setting value because of access control for the SDRAM mode register.



## 24.2 Register Bits

Register addresses and bit names of the on-chip peripheral modules are described below.

Each line covers eight bits, and 16-bit and 32-bit registers are shown as 2 or 4 lines, respectively.

| Register<br>Abbreviation | Bit 31/<br>23/15/7 | Bit 30/<br>22/14/6 | Bit 29/<br>21/13/5 | Bit 28/<br>20/12/4 | Bit 27/<br>19/11/3 | Bit 26/<br>18/10/2 | Bit 25/<br>17/9/1 | Bit 24/<br>16/8/0 | Module |
|--------------------------|--------------------|--------------------|--------------------|--------------------|--------------------|--------------------|-------------------|-------------------|--------|
| MMUCR                    | —                  | —                  | —                  | —                  | —                  | —                  | —                 | —                 | MMU    |
|                          | —                  | —                  | —                  | —                  | —                  | —                  | —                 | —                 |        |
|                          | —                  | —                  | —                  | —                  | —                  | —                  | —                 | SV                |        |
|                          | —                  | —                  | RC1                | RC0                | —                  | TF                 | IX                | AT                |        |
| PTEH                     | VPN                | VPN                | VPN                | VPN                | VPN                | VPN                | VPN               | VPN               |        |
|                          | VPN                | VPN                | VPN                | VPN                | VPN                | VPN                | VPN               | VPN               |        |
|                          | VPN                | VPN                | VPN                | VPN                | VPN                | VPN                | —                 | —                 |        |
|                          | ASID7              | ASID6              | ASID5              | ASID4              | ASID3              | ASID2              | ASID1             | ASID0             |        |
| PTEL                     | —                  | —                  | —                  | PPN                | PPN                | PPN                | PPN               | PPN               |        |
|                          | PPN                | PPN                | PPN                | PPN                | PPN                | PPN                | PPN               | PPN               |        |
|                          | PPN                | PPN                | PPN                | PPN                | PPN                | PPN                | —                 | V                 |        |
|                          | —                  | PR1                | PR0                | SZ                 | C                  | D                  | SH                | —                 |        |
| TTB                      | —                  | —                  | —                  | —                  | —                  | —                  | —                 | —                 |        |
|                          | —                  | —                  | —                  | —                  | —                  | —                  | —                 | —                 |        |
|                          | —                  | —                  | —                  | —                  | —                  | —                  | —                 | —                 |        |

| Register<br>Abbreviation | Bit 31/<br>23/15/7 | Bit 30/<br>22/14/6 | Bit 29/<br>21/13/5 | Bit 28/<br>20/12/4 | Bit 27/<br>19/11/3 | Bit 26/<br>18/10/2 | Bit 25/<br>17/9/1 | Bit 24/<br>16/8/0 | Module               |
|--------------------------|--------------------|--------------------|--------------------|--------------------|--------------------|--------------------|-------------------|-------------------|----------------------|
| CCR1                     | —                  | —                  | —                  | —                  | —                  | —                  | —                 | —                 | Cache                |
|                          | —                  | —                  | —                  | —                  | —                  | —                  | —                 | —                 |                      |
|                          | —                  | —                  | —                  | —                  | —                  | —                  | —                 | —                 |                      |
|                          | —                  | —                  | —                  | —                  | CF                 | CB                 | WT                | CE                |                      |
| CCR2                     | —                  | —                  | —                  | —                  | —                  | —                  | —                 | —                 |                      |
|                          | —                  | —                  | —                  | —                  | —                  | —                  | —                 | LE                |                      |
|                          | —                  | —                  | —                  | —                  | —                  | —                  | W3LOADW3LOCK      |                   |                      |
|                          | —                  | —                  | —                  | —                  | —                  | —                  | W2LOADW2LOCK      |                   |                      |
| CCR3                     | —                  | —                  | —                  | —                  | —                  | —                  | —                 | —                 |                      |
|                          | CSIZE7             | CSIZE6             | CSIZE5             | CSIZE4             | CSIZE3             | CSIZE2             | CSIZE1            | CSIZE0            |                      |
|                          | —                  | —                  | —                  | —                  | —                  | —                  | —                 | —                 |                      |
|                          | —                  | —                  | —                  | —                  | —                  | —                  | —                 | —                 |                      |
| INTEVT2                  | —                  | —                  | —                  | —                  | —                  | —                  | —                 | —                 | Exception<br>handing |
|                          | —                  | —                  | —                  | —                  | —                  | —                  | —                 | —                 |                      |
|                          | —                  | —                  | —                  | —                  | —                  | —                  | —                 | —                 |                      |
| TRA                      | —                  | —                  | —                  | —                  | —                  | —                  | —                 | —                 |                      |
|                          | —                  | —                  | —                  | —                  | —                  | —                  | —                 | —                 |                      |
|                          | —                  | —                  | —                  | —                  | —                  | —                  | imm               | imm               |                      |
|                          | imm                | imm                | imm                | imm                | imm                | imm                | —                 | —                 |                      |
| EXPEVT                   | —                  | —                  | —                  | —                  | —                  | —                  | —                 | —                 |                      |
|                          | —                  | —                  | —                  | —                  | —                  | —                  | —                 | —                 |                      |
|                          | —                  | —                  | —                  | —                  | —                  | —                  | —                 | —                 |                      |
| INTEVT                   | —                  | —                  | —                  | —                  | —                  | —                  | —                 | —                 |                      |
|                          | —                  | —                  | —                  | —                  | —                  | —                  | —                 | —                 |                      |
|                          | —                  | —                  | —                  | —                  | —                  | —                  | —                 | —                 |                      |

| Register<br>Abbreviation | Bit 31/<br>23/15/7 | Bit 30/<br>22/14/6 | Bit 29/<br>21/13/5 | Bit 28/<br>20/12/4 | Bit 27/<br>19/11/3 | Bit 26/<br>18/10/2 | Bit 25/<br>17/9/1 | Bit 24/<br>16/8/0 | Module                |
|--------------------------|--------------------|--------------------|--------------------|--------------------|--------------------|--------------------|-------------------|-------------------|-----------------------|
| TEA                      |                    |                    |                    |                    |                    |                    |                   |                   | Exception<br>handling |
| IPRA                     | IPR15<br>IPR7      | IPR14<br>IPR6      | IPR13<br>IPR5      | IPR12<br>IPR4      | IPR11<br>IPR3      | IPR10<br>IPR2      | IPR9<br>IPR1      | IPR8<br>IPR0      | INTC                  |
| IPRB                     | IPR15<br>IPR7      | IPR14<br>IPR6      | IPR13<br>IPR5      | IPR12<br>IPR4      | IPR11<br>IPR3      | IPR10<br>IPR2      | IPR9<br>IPR1      | IPR8<br>IPR0      |                       |
| IPRC                     | IPR15<br>IPR7      | IPR14<br>IPR6      | IPR13<br>IPR5      | IPR12<br>IPR4      | IPR11<br>IPR3      | IPR10<br>IPR2      | IPR9<br>IPR1      | IPR8<br>IPR0      |                       |
| IPRD                     | IPR15<br>IPR7      | IPR14<br>IPR6      | IPR13<br>IPR5      | IPR12<br>IPR4      | IPR11<br>IPR3      | IPR10<br>IPR2      | IPR9<br>IPR1      | IPR8<br>IPR0      |                       |
| IPRE                     | IPR15<br>IPR7      | IPR14<br>IPR6      | IPR13<br>IPR5      | IPR12<br>IPR4      | IPR11<br>IPR3      | IPR10<br>IPR2      | IPR9<br>IPR1      | IPR8<br>IPR0      |                       |
| IPRF                     | IPR15<br>IPR7      | IPR14<br>IPR6      | IPR13<br>IPR5      | IPR12<br>IPR4      | IPR11<br>IPR3      | IPR10<br>IPR2      | IPR9<br>IPR1      | IPR8<br>IPR0      |                       |
| IPRG                     | IPR15<br>IPR7      | IPR14<br>IPR6      | IPR13<br>IPR5      | IPR12<br>IPR4      | IPR11<br>IPR3      | IPR10<br>IPR2      | IPR9<br>IPR1      | IPR8<br>IPR0      |                       |
| IPRH                     | IPR15<br>IPR7      | IPR14<br>IPR6      | IPR13<br>IPR5      | IPR12<br>IPR4      | IPR11<br>IPR3      | IPR10<br>IPR2      | IPR9<br>IPR1      | IPR8<br>IPR0      |                       |
| ICR0                     | NMIL<br>—          | —<br>—             | —<br>—             | —<br>—             | —<br>—             | —<br>—             | —<br>—            | NMIE<br>—         |                       |
| ICR1                     | MAI<br>IRQ31S      | IRQLVL<br>IRQ30S   | BLMSK<br>IRQ21S    | —<br>IRQ20S        | IRQ51S<br>IRQ11S   | IRQ50S<br>IRQ10S   | IRQ41S<br>IRQ01S  | IRQ40S<br>IRQ00S  |                       |
| ICR2                     | PINT15S<br>PINT7S  | PINT14S<br>PINT6S  | PINT13S<br>PINT5S  | PINT12S<br>PINT4S  | PINT11S<br>PINT3S  | PINT10S<br>PINT2S  | PINT9S<br>PINT1S  | PINT8S<br>PINT0S  |                       |
| IRR0                     | PINT0R             | PINT1R             | IRQ5R              | IRQ4R              | IRQ3R              | IRQ2R              | IRQ1R             | IRQ0R             |                       |
| IRR1                     | TXI0R              | —                  | RXI0R              | ERI0R              | DEI3R              | DEI2R              | DEI1R             | DEI0R             |                       |
| IRR2                     | —                  | —                  | —                  | ADIR               | TXI2R              | —                  | RXI2R             | ERI2R             |                       |
| PINTER                   | PINT15E<br>PINT7E  | PINT14E<br>PINT6E  | PINT13E<br>PINT5E  | PINT12E<br>PINT4E  | PINT11E<br>PINT3E  | PINT10E<br>PINT2E  | PINT9E<br>PINT1E  | PINT8E<br>PINT0E  |                       |

| Register<br>Abbreviation | Bit 31/<br>23/15/7 | Bit 30/<br>22/14/6 | Bit 29/<br>21/13/5 | Bit 28/<br>20/12/4 | Bit 27/<br>19/11/3 | Bit 26/<br>18/10/2 | Bit 25/<br>17/9/1 | Bit 24/<br>16/8/0 | Module |
|--------------------------|--------------------|--------------------|--------------------|--------------------|--------------------|--------------------|-------------------|-------------------|--------|
| CMNCR                    | —                  | —                  | —                  | —                  | —                  | —                  | —                 | —                 | BSC    |
|                          | —                  | —                  | —                  | —                  | —                  | —                  | —                 | —                 |        |
|                          | —                  | —                  | —                  | —                  | —                  | —                  | —                 | —                 |        |
|                          | DMAIW1             | DMAIW0             | DMAIWA             | —                  | ENDIAN             | —                  | HIZMEM            | HIZCNT            |        |
| CS0BCR                   | —                  | —                  | IWW1               | IWW0               | —                  | IWRWD1             | IWRWD0            | —                 |        |
|                          | IWRWS1             | IWRWS0             | —                  | IWRRD1             | IWRRD0             | —                  | IWRRS1            | IWRRS0            |        |
|                          | —                  | TYPE2              | TYPE1              | TYPE0              | —                  | BSZ1               | BSZ0              | —                 |        |
|                          | —                  | —                  | —                  | —                  | —                  | —                  | —                 | —                 |        |
| CS2BCR                   | —                  | —                  | IWW1               | IWW0               | —                  | IWRWD1             | IWRWD0            | —                 |        |
|                          | IWRWS1             | IWRWS0             | —                  | IWRRD1             | IWRRD0             | —                  | IWRRS1            | IWRRS0            |        |
|                          | —                  | TYPE2              | TYPE1              | TYPE0              | —                  | BSZ1               | BSZ0              | —                 |        |
|                          | —                  | —                  | —                  | —                  | —                  | —                  | —                 | —                 |        |
| CS3BCR                   | —                  | —                  | IWW1               | IWW0               | —                  | IWRWD1             | IWRWD0            | —                 |        |
|                          | IWRWS1             | IWRWS0             | —                  | IWRRD1             | IWRRD0             | —                  | IWRRS1            | IWRRS0            |        |
|                          | —                  | TYPE2              | TYPE1              | TYPE0              | —                  | BSZ1               | BSZ0              | —                 |        |
|                          | —                  | —                  | —                  | —                  | —                  | —                  | —                 | —                 |        |
| CS4BCR                   | —                  | —                  | IWW1               | IWW0               | —                  | IWRWD1             | IWRWD0            | —                 |        |
|                          | IWRWS1             | IWRWS0             | —                  | IWRRD1             | IWRRD0             | —                  | IWRRS1            | IWRRS0            |        |
|                          | —                  | TYPE2              | TYPE1              | TYPE0              | —                  | BSZ1               | BSZ0              | —                 |        |
|                          | —                  | —                  | —                  | —                  | —                  | —                  | —                 | —                 |        |
| CS5ABCR                  | —                  | —                  | IWW1               | IWW0               | —                  | IWRWD1             | IWRWD0            | —                 |        |
|                          | IWRWS1             | IWRWS0             | —                  | IWRRD1             | IWRRD0             | —                  | IWRRS1            | IWRRS0            |        |
|                          | —                  | TYPE2              | TYPE1              | TYPE0              | —                  | BSZ1               | BSZ0              | —                 |        |
|                          | —                  | —                  | —                  | —                  | —                  | —                  | —                 | —                 |        |
| CS5BBCR                  | —                  | —                  | IWW1               | IWW0               | —                  | IWRWD1             | IWRWD0            | —                 |        |
|                          | IWRWS1             | IWRWS0             | —                  | IWRRD1             | IWRRD0             | —                  | IWRRS1            | IWRRS0            |        |
|                          | —                  | TYPE2              | TYPE1              | TYPE0              | —                  | BSZ1               | BSZ0              | —                 |        |
|                          | —                  | —                  | —                  | —                  | —                  | —                  | —                 | —                 |        |
| CS6ABCR                  | —                  | —                  | IWW1               | IWW0               | —                  | IWRWD1             | IWRWD0            | —                 |        |
|                          | IWRWS1             | IWRWS0             | —                  | IWRRD1             | IWRRD0             | —                  | IWRRS1            | IWRRS0            |        |
|                          | —                  | TYPE2              | TYPE1              | TYPE0              | —                  | BSZ1               | BSZ0              | —                 |        |
|                          | —                  | —                  | —                  | —                  | —                  | —                  | —                 | —                 |        |

| Register<br>Abbreviation         | Bit 31/<br>23/15/7 | Bit 30/<br>22/14/6 | Bit 29/<br>21/13/5 | Bit 28/<br>20/12/4 | Bit 27/<br>19/11/3 | Bit 26/<br>18/10/2 | Bit 25/<br>17/9/1 | Bit 24/<br>16/8/0 | Module |
|----------------------------------|--------------------|--------------------|--------------------|--------------------|--------------------|--------------------|-------------------|-------------------|--------|
| CS6BBCR                          | —                  | —                  | IWW1               | IWW0               | —                  | IWRWD1             | IWRWD0            | —                 | BSC    |
|                                  | IWRWS1             | IWRWS0             | —                  | IWRRD1             | IWRRD0             | —                  | IWRRS1            | IWRRS0            |        |
|                                  | —                  | TYPE2              | TYPE1              | TYPE0              | —                  | BSZ1               | BSZ0              | —                 |        |
|                                  | —                  | —                  | —                  | —                  | —                  | —                  | —                 | —                 |        |
| CS0WCR<br>(except burst<br>ROM)  | —                  | —                  | —                  | —                  | —                  | —                  | —                 | —                 |        |
|                                  | —                  | —                  | —                  | —                  | —                  | —                  | —                 | —                 |        |
|                                  | —                  | —                  | —                  | SW1                | SW0                | WR3                | WR2               | WR1               |        |
|                                  | WR0                | WM                 | —                  | —                  | —                  | —                  | HW1               | HW0               |        |
| CS0WCR<br>(burst ROM)            | —                  | —                  | —                  | —                  | —                  | —                  | —                 | —                 |        |
|                                  | —                  | —                  | —                  | —                  | —                  | —                  | BW1               | BW0               |        |
|                                  | —                  | —                  | —                  | —                  | —                  | W3                 | W2                | W1                |        |
|                                  | W0                 | WM                 | —                  | —                  | —                  | —                  | —                 | —                 |        |
| CS2 WCR<br>(except<br>SDRAM)     | —                  | —                  | —                  | —                  | —                  | —                  | —                 | —                 |        |
|                                  | —                  | —                  | —                  | —                  | —                  | —                  | —                 | —                 |        |
|                                  | —                  | —                  | —                  | —                  | —                  | WR3                | WR2               | WR1               |        |
|                                  | WR0                | WM                 | —                  | —                  | —                  | —                  | —                 | —                 |        |
| CS2 WCR<br>(SDRAM)               | —                  | —                  | —                  | —                  | —                  | —                  | —                 | —                 |        |
|                                  | —                  | —                  | —                  | —                  | —                  | —                  | —                 | —                 |        |
|                                  | —                  | —                  | —                  | —                  | —                  | —                  | —                 | A2CL1             |        |
|                                  | A2CL0              | —                  | —                  | —                  | —                  | —                  | —                 | —                 |        |
| CS3 WCR<br>(except<br>SDRAM)     | —                  | —                  | —                  | —                  | —                  | —                  | —                 | —                 |        |
|                                  | —                  | —                  | —                  | —                  | —                  | —                  | —                 | —                 |        |
|                                  | —                  | —                  | —                  | —                  | —                  | WR3                | WR2               | WR1               |        |
|                                  | WR0                | WM                 | —                  | —                  | —                  | —                  | —                 | —                 |        |
| CS3 WCR<br>(SDRAM)               | —                  | —                  | —                  | —                  | —                  | —                  | —                 | —                 |        |
|                                  | —                  | —                  | —                  | —                  | —                  | —                  | —                 | —                 |        |
|                                  | —                  | TRP1               | TRP0               | —                  | TRCD1              | TRCD0              | —                 | A3CL1             |        |
|                                  | A3CL0              | —                  | —                  | —                  | TRWL1              | TRWL0              | TRC1              | TRC0              |        |
| CS4 WCR<br>(except burst<br>ROM) | —                  | —                  | —                  | —                  | —                  | —                  | —                 | —                 |        |
|                                  | —                  | —                  | —                  | —                  | —                  | WW2                | WW1               | WW0               |        |
|                                  | —                  | —                  | —                  | SW1                | SW0                | WR3                | WR2               | WR1               |        |
|                                  | WR0                | WM                 | —                  | —                  | —                  | —                  | HW1               | HW0               |        |

| Register<br>Abbreviation | Bit 31/<br>23/15/7 | Bit 30/<br>22/14/6 | Bit 29/<br>21/13/5 | Bit 28/<br>20/12/4 | Bit 27/<br>19/11/3 | Bit 26/<br>18/10/2 | Bit 25/<br>17/9/1 | Bit 24/<br>16/8/0 | Module |
|--------------------------|--------------------|--------------------|--------------------|--------------------|--------------------|--------------------|-------------------|-------------------|--------|
| CS4 WCR<br>(burst ROM)   | —                  | —                  | —                  | —                  | —                  | —                  | —                 | —                 | BSC    |
|                          | —                  | —                  | —                  | —                  | —                  | —                  | BW1               | BW0               |        |
|                          | —                  | —                  | —                  | SW1                | SW0                | W3                 | W2                | W1                |        |
|                          | W0                 | WM                 | —                  | —                  | —                  | —                  | HW1               | HW0               |        |
| CS5A WCR                 | —                  | —                  | —                  | —                  | —                  | —                  | —                 | —                 |        |
|                          | —                  | —                  | —                  | —                  | —                  | WW2                | WW1               | WW0               |        |
|                          | —                  | —                  | —                  | SW1                | SW0                | WR3                | WR2               | WR1               |        |
|                          | WR0                | WM                 | —                  | —                  | —                  | —                  | HW1               | HW0               |        |
| CS5B WCR                 | —                  | —                  | —                  | —                  | —                  | —                  | —                 | —                 |        |
|                          | —                  | —                  | —                  | MPXW               | —                  | WW2                | WW1               | WW0               |        |
|                          | —                  | —                  | —                  | SW1                | SW0                | WR3                | WR2               | WR1               |        |
|                          | WR0                | WM                 | —                  | —                  | —                  | —                  | HW1               | HW0               |        |
| CS6A WCR                 | —                  | —                  | —                  | —                  | —                  | —                  | —                 | —                 |        |
|                          | —                  | —                  | —                  | —                  | —                  | —                  | —                 | —                 |        |
|                          | —                  | —                  | —                  | SW1                | SW0                | WR3                | WR2               | WR1               |        |
|                          | WR0                | WM                 | —                  | —                  | —                  | —                  | HW1               | HW0               |        |
| CS6B WCR                 | —                  | —                  | —                  | —                  | —                  | —                  | —                 | —                 |        |
|                          | —                  | —                  | —                  | —                  | —                  | —                  | —                 | —                 |        |
|                          | —                  | —                  | —                  | SW1                | SW0                | WR3                | WR2               | WR1               |        |
|                          | WR0                | WM                 | —                  | —                  | —                  | —                  | HW1               | HW0               |        |
| SDCR                     | —                  | —                  | —                  | —                  | —                  | —                  | —                 | —                 |        |
|                          | —                  | —                  | —                  | A2ROW1             | A2ROW0             | —                  | A2COL1            | A2COL0            |        |
|                          | —                  | —                  | —                  | SLOW               | RFSH               | RMODE              | —                 | BACTV             |        |
|                          | —                  | —                  | —                  | A3ROW1             | A3ROW0             | —                  | A3COL1            | A3COL0            |        |
| RTCSCR                   | —                  | —                  | —                  | —                  | —                  | —                  | —                 | —                 |        |
|                          | —                  | —                  | —                  | —                  | —                  | —                  | —                 | —                 |        |
|                          | —                  | —                  | —                  | —                  | —                  | —                  | —                 | —                 |        |
|                          | CMF                | CMIE               | CKS2               | CKS1               | CKS0               | RRC2               | RRC1              | RRC0              |        |
| RTCNT                    | —                  | —                  | —                  | —                  | —                  | —                  | —                 |                   |        |
| RTCOR                    | —                  | —                  | —                  | —                  | —                  | —                  | —                 |                   |        |

| Register<br>Abbreviation | Bit 31/<br>23/15/7 | Bit 30/<br>22/14/6 | Bit 29/<br>21/13/5 | Bit 28/<br>20/12/4 | Bit 27/<br>19/11/3 | Bit 26/<br>18/10/2 | Bit 25/<br>17/9/1 | Bit 24/<br>16/8/0 | Module |
|--------------------------|--------------------|--------------------|--------------------|--------------------|--------------------|--------------------|-------------------|-------------------|--------|
| SDMR2                    |                    |                    |                    |                    |                    |                    |                   |                   | BSC    |
| SDMR3                    |                    |                    |                    |                    |                    |                    |                   |                   |        |
| SAR_0                    |                    |                    |                    |                    |                    |                    |                   |                   | DMAC   |
| DAR_0                    |                    |                    |                    |                    |                    |                    |                   |                   |        |
| DMATCR_0                 | —                  | —                  | —                  | —                  | —                  | —                  | —                 | —                 |        |
| CHCR_0                   | —                  | —                  | —                  | —                  | —                  | —                  | —                 | —                 |        |
|                          | DO                 | TL                 | —                  | —                  | —                  | —                  | AM                | AL                |        |
|                          | DM1                | DM0                | SM1                | SM0                | RS3                | RS2                | RS1               | RS0               |        |
|                          | DL                 | DS                 | TB                 | TS1                | TS0                | IE                 | TE                | DE                |        |
| SAR_1                    |                    |                    |                    |                    |                    |                    |                   |                   |        |
| DAR_1                    |                    |                    |                    |                    |                    |                    |                   |                   |        |
| DMATCR_1                 | —                  | —                  | —                  | —                  | —                  | —                  | —                 | —                 |        |

| Register<br>Abbreviation | Bit 31/<br>23/15/7 | Bit 30/<br>22/14/6 | Bit 29/<br>21/13/5 | Bit 28/<br>20/12/4 | Bit 27/<br>19/11/3 | Bit 26/<br>18/10/2 | Bit 25/<br>17/9/1 | Bit 24/<br>16/8/0 | Module |
|--------------------------|--------------------|--------------------|--------------------|--------------------|--------------------|--------------------|-------------------|-------------------|--------|
| CHCR_1                   | —                  | —                  | —                  | —                  | —                  | —                  | —                 | —                 | DMAC   |
|                          | DO                 | —                  | —                  | —                  | —                  | —                  | AM                | AL                |        |
|                          | DM1                | DM0                | SM1                | SM0                | RS3                | RS2                | RS1               | RS0               |        |
|                          | DL                 | DS                 | TB                 | TS1                | TS0                | IE                 | TE                | DE                |        |
| SAR_2                    | —                  | —                  | —                  | —                  | —                  | —                  | —                 | —                 | —      |
| DAR_2                    | —                  | —                  | —                  | —                  | —                  | —                  | —                 | —                 | —      |
| DMATCR_2                 | —                  | —                  | —                  | —                  | —                  | —                  | —                 | —                 | —      |
| CHCR_2                   | —                  | —                  | —                  | —                  | —                  | —                  | —                 | —                 | DMAC   |
|                          | —                  | —                  | —                  | —                  | —                  | —                  | —                 | —                 |        |
|                          | DM1                | DM0                | SM1                | SM0                | RS3                | RS2                | RS1               | RS0               |        |
|                          | —                  | —                  | TB                 | TS1                | TS0                | IE                 | TE                | DE                |        |
| SAR_3                    | —                  | —                  | —                  | —                  | —                  | —                  | —                 | —                 | —      |
| DAR_3                    | —                  | —                  | —                  | —                  | —                  | —                  | —                 | —                 | —      |
| DMATCR_3                 | —                  | —                  | —                  | —                  | —                  | —                  | —                 | —                 | —      |



| Register<br>Abbreviation | Bit 31/<br>23/15/7 | Bit 30/<br>22/14/6 | Bit 29/<br>21/13/5 | Bit 28/<br>20/12/4 | Bit 27/<br>19/11/3 | Bit 26/<br>18/10/2 | Bit 25/<br>17/9/1 | Bit 24/<br>16/8/0 | Module                  |
|--------------------------|--------------------|--------------------|--------------------|--------------------|--------------------|--------------------|-------------------|-------------------|-------------------------|
| CHCR_3                   | —                  | —                  | —                  | —                  | —                  | —                  | —                 | —                 | DMAC                    |
|                          | —                  | —                  | —                  | —                  | —                  | —                  | —                 | —                 |                         |
|                          | DM1                | DM0                | SM1                | SM0                | RS3                | RS2                | RS1               | RS0               |                         |
|                          | —                  | —                  | TB                 | TS1                | TS0                | IE                 | TE                | DE                |                         |
| DMAOR                    | —                  | —                  | CMS1               | CMS0               | —                  | —                  | PR1               | PR0               |                         |
|                          | —                  | —                  | —                  | —                  | —                  | AE                 | NMIF              | DME               |                         |
| DMARS0                   | C1MID5             | C1MID4             | C1MID3             | C1MID2             | C1MID1             | C1MID0             | C1RID1            | C1RID0            |                         |
|                          | C0MID5             | C0MID4             | C0MID3             | C0MID2             | C0MID1             | C0MID0             | C0RID1            | C0RID0            |                         |
| DMARS1                   | C3MID5             | C3MID4             | C3MID3             | C3MID2             | C3MID1             | C3MID0             | C3RID1            | C3RID0            |                         |
|                          | C2MID5             | C2MID4             | C2MID3             | C2MID2             | C2MID1             | C2MID0             | C2RID1            | C2RID0            |                         |
| UCLKCR                   | USSCS1             | USSCS0             | USBEN              | —                  | —                  | —                  | —                 | —                 | CPG                     |
| FRQCR                    | —                  | —                  | —                  | CKOEN              | —                  | —                  | STC1              | STC0              |                         |
|                          | —                  | —                  | IFC1               | IFC0               | —                  | —                  | PFC1              | PFC0              |                         |
| WTCNT                    | —                  | —                  | —                  | —                  | —                  | —                  | —                 | —                 | WDT                     |
| WTCSR                    | TME                | WT/IT              | RSTS               | WOVF               | IOVF               | CKS2               | CKS1              | CKS0              |                         |
| STBCR                    | STBY               | —                  | —                  | STBXTL             | —                  | MSTP2              | MSTP1             | —                 | Power-<br>down<br>modes |
| STBCR2                   | MSTP10             | MSTP9              | MSTP8              | —                  | MSTP6              | MSTP5              | —                 | —                 |                         |
| STBCR3                   | MSTP37             | —                  | MSTP35             | MSTP34             | MSTP33             | MSTP32             | MSTP31            | MSTP30            |                         |
| TSTR                     | —                  | —                  | —                  | —                  | —                  | STR2               | STR1              | STR0              | TMU                     |
| TCOR_0                   | —                  | —                  | —                  | —                  | —                  | —                  | —                 | —                 |                         |
| TCNT_0                   | —                  | —                  | —                  | —                  | —                  | —                  | —                 | —                 |                         |
| TCR_0                    | —                  | —                  | —                  | —                  | —                  | —                  | —                 | UNF               |                         |
|                          | —                  | —                  | UNIE               | CKEG1              | CKEG0              | TPSC2              | TPSC1             | TPSC0             |                         |

| Register<br>Abbreviation | Bit 31/<br>23/15/7 | Bit 30/<br>22/14/6 | Bit 29/<br>21/13/5 | Bit 28/<br>20/12/4 | Bit 27/<br>19/11/3 | Bit 26/<br>18/10/2 | Bit 25/<br>17/9/1 | Bit 24/<br>16/8/0 | Module |
|--------------------------|--------------------|--------------------|--------------------|--------------------|--------------------|--------------------|-------------------|-------------------|--------|
| TCOR_1                   |                    |                    |                    |                    |                    |                    |                   |                   | TMU    |
| TCNT_1                   |                    |                    |                    |                    |                    |                    |                   |                   |        |
| TCR_1                    | —                  | —                  | —                  | —                  | —                  | —                  | —                 | UNF               |        |
|                          | —                  | —                  | UNIE               | CKEG1              | CKEG0              | TPSC2              | TPSC1             | TPSC0             |        |
| TCOR_2                   |                    |                    |                    |                    |                    |                    |                   |                   |        |
| TCNT_2                   |                    |                    |                    |                    |                    |                    |                   |                   |        |
| TCR_2                    | —                  | —                  | —                  | —                  | —                  | —                  | ICPF              | UNF               |        |
|                          | ICPE1              | ICPE0              | UNIE               | CKEG1              | CKEG0              | TPSC2              | TPSC1             | TPSC0             |        |
| TCPR_2                   |                    |                    |                    |                    |                    |                    |                   |                   |        |
| CMSTR                    | —                  | —                  | —                  | —                  | —                  | —                  | —                 | —                 | CMT    |
|                          | —                  | —                  | —                  | —                  | —                  | —                  | —                 | STR               |        |
| CMCSR                    | —                  | —                  | —                  | —                  | —                  | —                  | —                 | —                 |        |
|                          | CMF                | —                  | —                  | CMR                | —                  | —                  | CKS1              | CKS0              |        |
| CMCNT                    |                    |                    |                    |                    |                    |                    |                   |                   |        |
| CMCOR                    |                    |                    |                    |                    |                    |                    |                   |                   |        |

| Register<br>Abbreviation | Bit 31/<br>23/15/7 | Bit 30/<br>22/14/6 | Bit 29/<br>21/13/5 | Bit 28/<br>20/12/4 | Bit 27/<br>19/11/3 | Bit 26/<br>18/10/2 | Bit 25/<br>17/9/1 | Bit 24/<br>16/8/0 | Module |
|--------------------------|--------------------|--------------------|--------------------|--------------------|--------------------|--------------------|-------------------|-------------------|--------|
| TSTR                     | —                  | —                  | —                  | —                  | —                  | —                  | —                 | —                 | TPU    |
|                          | —                  | —                  | —                  | —                  | CST3               | CST2               | CST1              | CST0              |        |
| TCR_0                    | —                  | —                  | —                  | —                  | —                  | —                  | —                 | —                 |        |
|                          | CCLR2              | CCLR1              | CCLR0              | CKEG1              | CKEG0              | TPSC2              | TPSC1             | TPSC0             |        |
| TMDR_0                   | —                  | —                  | —                  | —                  | —                  | —                  | —                 | —                 |        |
|                          | —                  | BFWT               | BFB                | BFA                | —                  | MD2                | MD1               | MD0               |        |
| TIOR_0                   | —                  | —                  | —                  | —                  | —                  | —                  | —                 | —                 |        |
|                          | —                  | —                  | —                  | —                  | —                  | IOA2               | IOA1              | IOA0              |        |
| TIER_0                   | —                  | —                  | —                  | —                  | —                  | —                  | —                 | —                 |        |
|                          | —                  | —                  | —                  | TCIEV              | TGIED              | TGIEC              | TGIEB             | TGIEA             |        |
| TSR_0                    | —                  | —                  | —                  | —                  | —                  | —                  | —                 | —                 |        |
|                          | —                  | —                  | —                  | TCFV               | TGFD               | TGFC               | TGFB              | TGFA              |        |
| TCNT_0                   | —                  | —                  | —                  | —                  | —                  | —                  | —                 | —                 |        |
| TGRA_0                   | —                  | —                  | —                  | —                  | —                  | —                  | —                 | —                 |        |
| TGRB_0                   | —                  | —                  | —                  | —                  | —                  | —                  | —                 | —                 |        |
| TGRC_0                   | —                  | —                  | —                  | —                  | —                  | —                  | —                 | —                 |        |
| TGRD_0                   | —                  | —                  | —                  | —                  | —                  | —                  | —                 | —                 |        |
| TCR_1                    | —                  | —                  | —                  | —                  | —                  | —                  | —                 | —                 |        |
|                          | CCLR2              | CCLR1              | CCLR0              | CKEG1              | CKEG0              | TPSC2              | TPSC1             | TPSC0             |        |
| TMDR_1                   | —                  | —                  | —                  | —                  | —                  | —                  | —                 | —                 |        |
|                          | —                  | BFWT               | BFB                | BFA                | —                  | MD2                | MD1               | MD0               |        |
| TIOR_1                   | —                  | —                  | —                  | —                  | —                  | —                  | —                 | —                 |        |
|                          | —                  | —                  | —                  | —                  | —                  | IOA2               | IOA1              | IOA0              |        |
| TIER_1                   | —                  | —                  | —                  | —                  | —                  | —                  | —                 | —                 |        |
|                          | —                  | —                  | —                  | TCIEV              | TGIED              | TGIEC              | TGIEB             | TGIEA             |        |
| TSR_1                    | —                  | —                  | —                  | —                  | —                  | —                  | —                 | —                 |        |
|                          | —                  | —                  | —                  | TCFV               | TGFD               | TGFC               | TGFB              | TGFA              |        |

| Register<br>Abbreviation | Bit 31/<br>23/15/7 | Bit 30/<br>22/14/6 | Bit 29/<br>21/13/5 | Bit 28/<br>20/12/4 | Bit 27/<br>19/11/3 | Bit 26/<br>18/10/2 | Bit 25/<br>17/9/1 | Bit 24/<br>16/8/0 | Module |
|--------------------------|--------------------|--------------------|--------------------|--------------------|--------------------|--------------------|-------------------|-------------------|--------|
| TCNT_1                   |                    |                    |                    |                    |                    |                    |                   |                   | TPU    |
| TGRA_1                   |                    |                    |                    |                    |                    |                    |                   |                   |        |
| TGRB_1                   |                    |                    |                    |                    |                    |                    |                   |                   |        |
| TGRC_1                   |                    |                    |                    |                    |                    |                    |                   |                   |        |
| TGRD_1                   |                    |                    |                    |                    |                    |                    |                   |                   |        |
| TCR_2                    | —                  | —                  | —                  | —                  | —                  | —                  | —                 | —                 |        |
|                          | CCLR2              | CCLR1              | CCLR0              | CKEG1              | CKEG0              | TPSC2              | TPSC1             | TPSC0             |        |
| TMDR_2                   | —                  | —                  | —                  | —                  | —                  | —                  | —                 | —                 |        |
|                          | —                  | BFWT               | BFB                | BFA                | —                  | MD2                | MD1               | MD0               |        |
| TIOR_2                   | —                  | —                  | —                  | —                  | —                  | —                  | —                 | —                 |        |
|                          | —                  | —                  | —                  | —                  | —                  | IOA2               | IOA1              | IOA0              |        |
| TIER_2                   | —                  | —                  | —                  | —                  | —                  | —                  | —                 | —                 |        |
|                          | —                  | —                  | —                  | TCIEV              | TGIED              | TGIEC              | TGIEB             | TGIEA             |        |
| TSR_2                    | —                  | —                  | —                  | —                  | —                  | —                  | —                 | —                 |        |
|                          | —                  | —                  | —                  | TCFV               | TGFD               | TGFC               | TGFB              | TGFA              |        |
| TCNT_2                   |                    |                    |                    |                    |                    |                    |                   |                   |        |
| TGRA_2                   |                    |                    |                    |                    |                    |                    |                   |                   |        |
| TGRB_2                   |                    |                    |                    |                    |                    |                    |                   |                   |        |
| TGRC_2                   |                    |                    |                    |                    |                    |                    |                   |                   |        |
| TGRD_2                   |                    |                    |                    |                    |                    |                    |                   |                   |        |
| TCR_3                    | —                  | —                  | —                  | —                  | —                  | —                  | —                 | —                 |        |
|                          | CCLR2              | CCLR1              | CCLR0              | CKEG1              | CKEG0              | TPSC2              | TPSC1             | TPSC0             |        |

| Register<br>Abbreviation | Bit 31/<br>23/15/7 | Bit 30/<br>22/14/6 | Bit 29/<br>21/13/5 | Bit 28/<br>20/12/4 | Bit 27/<br>19/11/3 | Bit 26/<br>18/10/2 | Bit 25/<br>17/9/1 | Bit 24/<br>16/8/0 | Module |
|--------------------------|--------------------|--------------------|--------------------|--------------------|--------------------|--------------------|-------------------|-------------------|--------|
| TMDR_3                   | —                  | —                  | —                  | —                  | —                  | —                  | —                 | —                 | TPU    |
|                          | —                  | BFWT               | BFB                | BFA                | —                  | MD2                | MD1               | MD0               |        |
| TIOR_3                   | —                  | —                  | —                  | —                  | —                  | —                  | —                 | —                 |        |
|                          | —                  | —                  | —                  | —                  | —                  | IOA2               | IOA1              | IOA0              |        |
| TIER_3                   | —                  | —                  | —                  | —                  | —                  | —                  | —                 | —                 |        |
|                          | —                  | —                  | —                  | TCIEV              | TGIED              | TGIEC              | TGIEB             | TGIEA             |        |
| TSR_3                    | —                  | —                  | —                  | —                  | —                  | —                  | —                 | —                 |        |
|                          | —                  | —                  | —                  | TCFV               | TGFD               | TGFC               | TGFB              | TGFA              |        |
| TCNT_3                   |                    |                    |                    |                    |                    |                    |                   |                   |        |
| TGRA_3                   |                    |                    |                    |                    |                    |                    |                   |                   |        |
| TGRB_3                   |                    |                    |                    |                    |                    |                    |                   |                   |        |
| TGRC_3                   |                    |                    |                    |                    |                    |                    |                   |                   |        |
| TGRD_3                   |                    |                    |                    |                    |                    |                    |                   |                   |        |
| R64CNT                   | —                  | 1Hz                | 2Hz                | 4Hz                | 8Hz                | 16Hz               | 32Hz              | 64Hz              | RTC    |
| RSECCNT                  |                    |                    |                    |                    |                    |                    |                   |                   |        |
| RMINCNT                  |                    |                    |                    |                    |                    |                    |                   |                   |        |
| RHRCNT                   | —                  | —                  |                    |                    |                    |                    |                   |                   |        |
| RWKCNT                   | —                  | —                  | —                  | —                  | —                  |                    |                   |                   |        |
| RDAYCNT                  |                    |                    |                    |                    |                    |                    |                   |                   |        |
| RMONCNT                  | —                  | —                  | —                  |                    |                    |                    |                   |                   |        |
| RYRCNT                   |                    |                    |                    |                    |                    |                    |                   |                   |        |
| RSECAR                   | ENB                |                    |                    |                    |                    |                    |                   |                   |        |
| RMINAR                   | ENB                |                    |                    |                    |                    |                    |                   |                   |        |
| RHRAR                    | ENB                | —                  |                    |                    |                    |                    |                   |                   |        |
| RWKAR                    | ENB                | —                  | —                  | —                  | —                  |                    |                   |                   |        |
| RDAYAR                   | ENB                | —                  |                    |                    |                    |                    |                   |                   |        |
| RMONAR                   | ENB                | —                  | —                  |                    |                    |                    |                   |                   |        |

| Register<br>Abbreviation | Bit 31/<br>23/15/7 | Bit 30/<br>22/14/6 | Bit 29/<br>21/13/5 | Bit 28/<br>20/12/4 | Bit 27/<br>19/11/3 | Bit 26/<br>18/10/2 | Bit 25/<br>17/9/1 | Bit 24/<br>16/8/0 | Module |
|--------------------------|--------------------|--------------------|--------------------|--------------------|--------------------|--------------------|-------------------|-------------------|--------|
| RCR1                     | CF                 | —                  | —                  | CIE                | AIE                | —                  | —                 | AF                | RTC    |
| RCR2                     | PEF                | PES2               | PES1               | PES0               | RTCEN              | ADJ                | RESET             | START             |        |
| RYRAR                    |                    |                    |                    |                    |                    |                    |                   |                   |        |
| RCR3                     | YAEN               | —                  | —                  | —                  | —                  | —                  | —                 | —                 |        |
| SCSMR_0                  | —                  | —                  | —                  | —                  | —                  | SRC2               | SRC1              | SRC0              | SCIF_0 |
|                          | C/A                | CHR                | PE                 | O/E                | STOP               | —                  | CKS1              | CKS0              |        |
| SCBRR_0                  | SCBRD7             | SCBRD6             | SCBRD5             | SCBRD4             | SCBRD3             | SCBRD2             | SCBRD1            | SCBRD0            |        |
| SCSCR_0                  | —                  | —                  | —                  | —                  | TSIE               | ERIE               | BRIE              | DRIE              |        |
|                          | TIE                | RIE                | TE                 | RE                 | —                  | —                  | CKE1              | CKE0              |        |
| SCTDSR_0                 |                    |                    |                    |                    |                    |                    |                   |                   |        |
| SCFER_0                  | —                  | —                  | PER5               | PER4               | PER3               | PER2               | PER1              | PER0              |        |
|                          | —                  | —                  | FER5               | FER4               | FER3               | FER2               | FER1              | FER0              |        |
| SCSSR_0                  | —                  | —                  | —                  | —                  | —                  | —                  | ORER              | TSF               |        |
|                          | ER                 | TEND               | TDFE               | BRK                | FER                | PER                | RDF               | DR                |        |
| SCFCR_0                  | TSE                | TCRST              | —                  | —                  | —                  | RSTRG2             | RSTRG1            | RSTRG0            |        |
|                          | RTRG1              | RTRG0              | TTRG1              | TTRG0              | MCE                | TFRST              | RFRST             | LOOP              |        |
| SCFDR_0                  | —                  | T6                 | T5                 | T4                 | T3                 | T2                 | T1                | T0                |        |
|                          | —                  | R6                 | R5                 | R4                 | R3                 | R2                 | R1                | R0                |        |
| SCFTDR_0                 | SCFTD7             | SCFTD6             | SCFTD5             | SCFTD4             | SCFTD3             | SCFTD2             | SCFTD1            | SCFTD0            |        |
| SCFRDR_0                 | SCFRD7             | SCFRD6             | SCFRD5             | SCFRD4             | SCFRD3             | SCFRD2             | SCFRD1            | SCFRD0            |        |
| SCSMR_2                  | —                  | —                  | —                  | —                  | —                  | SRC2               | SRC1              | SRC0              | SCIF_2 |
|                          | C/A                | CHR                | PE                 | O/E                | STOP               | —                  | CKS1              | CKS0              |        |
| SCBRR_2                  | SCBRD7             | SCBRD6             | SCBRD5             | SCBRD4             | SCBRD3             | SCBRD2             | SCBRD1            | SCBRD0            |        |
| SCSCR_2                  | —                  | —                  | —                  | —                  | TSIE               | ERIE               | BRIE              | DRIE              |        |
|                          | TIE                | RIE                | TE                 | RE                 | —                  | —                  | CKE1              | CKE0              |        |
| SCTDSR_2                 |                    |                    |                    |                    |                    |                    |                   |                   |        |
| SCFER_2                  | —                  | —                  | PER5               | PER4               | PER3               | PER2               | PER1              | PER0              |        |
|                          | —                  | —                  | FER5               | FER4               | FER3               | FER2               | FER1              | FER0              |        |
| SCSSR_2                  | —                  | —                  | —                  | —                  | —                  | —                  | ORER              | TSF               |        |
|                          | ER                 | TEND               | TDFE               | BRK                | FER                | PER                | RDF               | DR                |        |
| SCFCR_2                  | TSE                | TCRST              | —                  | —                  | —                  | RSTRG2             | RSTRG1            | RSTRG0            |        |
|                          | RTRG1              | RTRG0              | TTRG1              | TTRG0              | MCE                | TFRST              | RFRST             | LOOP              |        |

| Register<br>Abbreviation | Bit 31/<br>23/15/7 | Bit 30/<br>22/14/6 | Bit 29/<br>21/13/5 | Bit 28/<br>20/12/4 | Bit 27/<br>19/11/3 | Bit 26/<br>18/10/2 | Bit 25/<br>17/9/1 | Bit 24/<br>16/8/0 | Module |
|--------------------------|--------------------|--------------------|--------------------|--------------------|--------------------|--------------------|-------------------|-------------------|--------|
| SCFDR_2                  | —                  | T6                 | T5                 | T4                 | T3                 | T2                 | T1                | T0                | SCIF_2 |
|                          | —                  | R6                 | R5                 | R4                 | R3                 | R2                 | R1                | R0                |        |
| SCFTDR_2                 | SCFTD7             | SCFTD6             | SCFTD5             | SCFTD4             | SCFTD3             | SCFTD2             | SCFTD1            | SCFTD0            |        |
| SCFRDR_2                 | SCFRD7             | SCFRD6             | SCFRD5             | SCFRD4             | SCFRD3             | SCFRD2             | SCFRD1            | SCFRD0            |        |
| SCSMR_Ir                 | —                  | —                  | —                  | —                  | —                  | —                  | —                 | —                 | IrDA   |
|                          | IRMOD              | ICK3               | ICK2               | ICK1               | ICK0               | PSEL               | —                 | —                 |        |
| EPDR0i                   | D7                 | D6                 | D5                 | D4                 | D3                 | D2                 | D1                | D0                | USB    |
| EPDR0o                   | D7                 | D6                 | D5                 | D4                 | D3                 | D2                 | D1                | D0                |        |
| EPDR0s                   | D7                 | D6                 | D5                 | D4                 | D3                 | D2                 | D1                | D0                |        |
| EPDR1                    | D7                 | D6                 | D5                 | D4                 | D3                 | D2                 | D1                | D0                |        |
| EPDR2                    | D7                 | D6                 | D5                 | D4                 | D3                 | D2                 | D1                | D0                |        |
| EPDR3                    | D7                 | D6                 | D5                 | D4                 | D3                 | D2                 | D1                | D0                |        |
| IFR0                     | BRST               | EP1FULL            | EP2TR              | EP2EMPTY           | SETUPTS            | EP0oTS             | EP0iTR            | EP0iTS            |        |
| IFR1                     | —                  | —                  | —                  | —                  | VBUSMN             | EP3TR              | EP3TS             | VBUS              |        |
| TRG                      | —                  | EP3PKTE            | EP1RDFN            | EP2PKTE            | —                  | EP0sRDFN           | EP0oRDFN          | EP0iPKTE          |        |
| FCLR                     | —                  | EP3CLR             | EP1CLR             | EP2CLR             | —                  | —                  | EP0oCLR           | EP0iCLR           |        |
| EPSZ0o                   | D7                 | D6                 | D5                 | D4                 | D3                 | D2                 | D1                | D0                |        |
| DASTS                    | —                  | —                  | EP3DE              | EP2DE              | —                  | —                  | —                 | EP0iDE            |        |
| EPSTL                    | —                  | —                  | —                  | —                  | EP3STL             | EP2STL             | EP1STL            | EP0STL            |        |
| IER0                     | BRST               | EP1FULL            | EP2TR              | EP2EMPTY           | SETUPTS            | EP0oTS             | EP0iTR            | EP0iTS            |        |
| IER1                     | —                  | —                  | —                  | —                  | —                  | EP3TR              | EP3TS             | VBUS              |        |
| EPSZ1                    | D7                 | D6                 | D5                 | D4                 | D3                 | D2                 | D1                | D0                |        |
| DMAR                     | —                  | —                  | —                  | —                  | —                  | —                  | EP2DMAE           | EP1DMAE           |        |
| ISR0                     | BRST               | EP1FULL            | EP2TR              | EP2EMPTY           | SETUPTS            | EP0oTS             | EP0iTR            | EP0iTS            |        |
| ISR1                     | —                  | —                  | —                  | —                  | —                  | EP3TR              | EP3TS             | VBUS              |        |
| XVERCR                   | —                  | —                  | —                  | —                  | —                  | —                  | —                 | XVEROFF           |        |
| PACR                     | PA7MD1             | PA7MD0             | PA6MD1             | PA6MD0             | PA5MD1             | PA5MD0             | PA4MD1            | PA4MD0            | PFC    |
|                          | PA3MD1             | PA3MD0             | PA2MD1             | PA2MD0             | PA1MD1             | PA1MD0             | PA0MD1            | PA0MD0            |        |
| PBCR                     | PB7MD1             | PB7MD0             | PB6MD1             | PB6MD0             | PB5MD1             | PB5MD0             | PB4MD1            | PB4MD0            |        |
|                          | PB3MD1             | PB3MD0             | PB2MD1             | PB2MD0             | PB1MD1             | PB1MD0             | PB0MD1            | PB0MD0            |        |
| PCCR                     | PC7MD1             | PC7MD0             | PC6MD1             | PC6MD0             | PC5MD1             | PC5MD0             | PC4MD1            | PC4MD0            |        |
|                          | PC3MD1             | PC3MD0             | PC2MD1             | PC2MD0             | PC1MD1             | PC1MD0             | PC0MD1            | PC0MD0            |        |

| Register<br>Abbreviation | Bit 31/<br>23/15/7 | Bit 30/<br>22/14/6 | Bit 29/<br>21/13/5 | Bit 28/<br>20/12/4 | Bit 27/<br>19/11/3 | Bit 26/<br>18/10/2 | Bit 25/<br>17/9/1 | Bit 24/<br>16/8/0 | Module |
|--------------------------|--------------------|--------------------|--------------------|--------------------|--------------------|--------------------|-------------------|-------------------|--------|
| PDCR                     | PD7MD1             | PD7MD0             | PD6MD1             | PD6MD0             | PD5MD1             | PD5MD0             | PD4MD1            | PD4MD0            | PFC    |
|                          | PD3MD1             | PD3MD0             | PD2MD1             | PD2MD0             | PD1MD1             | PD1MD0             | PD0MD1            | PD0MD0            |        |
| PECR                     | PE7MD1             | PE7MD0             | PE6MD1             | PE6MD0             | PE5MD1             | PE5MD0             | PE4MD1            | PE4MD0            |        |
|                          | PE3MD1             | PE3MD0             | PE2MD1             | PE2MD0             | PE1MD1             | PE1MD0             | PE0MD1            | PE0MD0            |        |
| PECR2                    | —                  | PE6MD2             | PE5MD2             | PE4MD2             | —                  | —                  | —                 | —                 |        |
| PFCR                     | PF7MD1             | PF7MD0             | PF6MD1             | PF6MD0             | PF5MD1             | PF5MD0             | PF4MD1            | PF4MD0            |        |
|                          | PF3MD1             | PF3MD0             | PF2MD1             | PF2MD0             | PF1MD1             | PF1MD0             | PF0MD1            | PF0MD0            |        |
| PFCR2                    | —                  | —                  | —                  | —                  | PF3MD2             | PF2MD2             | PF1MD2            | PF0MD2            |        |
| PGCR                     | PG7MD1             | PG7MD0             | PG6MD1             | PG6MD0             | PG5MD1             | PG5MD0             | PG4MD1            | PG4MD0            |        |
|                          | PG3MD1             | PG3MD0             | PG2MD1             | PG2MD0             | PG1MD1             | PG1MD0             | PG0MD1            | PG0MD0            |        |
| PHCR                     | —                  | —                  | PH6MD1             | PH6MD0             | PH5MD1             | PH5MD0             | PH4MD1            | PH4MD0            |        |
|                          | PH3MD1             | PH3MD0             | PH2MD1             | PH2MD0             | PH1MD1             | PH1MD0             | PH0MD1            | PH0MD0            |        |
| PJCR                     | PJ7MD1             | PJ7MD0             | PJ6MD1             | PJ6MD0             | PJ5MD1             | PJ5MD0             | PJ4MD1            | PJ4MD0            |        |
|                          | PJ3MD1             | PJ3MD0             | PJ2MD1             | PJ2MD0             | PJ1MD1             | PJ1MD0             | PJ0MD1            | PJ0MD0            |        |
| PKCR                     | PK7MD1             | PK7MD0             | PK6MD1             | PK6MD0             | PK5MD1             | PK5MD0             | PK4MD1            | PK4MD0            |        |
|                          | PK3MD1             | PK3MD0             | PK2MD1             | PK2MD0             | PK1MD1             | PK1MD0             | PK0MD1            | PK0MD0            |        |
| PLCR                     | —                  | —                  | —                  | —                  | —                  | —                  | —                 | —                 |        |
|                          | PL3MD1             | PL3MD0             | PL2MD1             | PL2MD0             | PL1MD1             | PL1MD0             | PL0MD1            | PL0MD0            |        |
| SCPCR                    | —                  | —                  | —                  | —                  | SCP5MD1            | SCP5MD0            | SCP4MD1           | SCP4MD0           |        |
|                          | SCP3MD1            | SCP3MD0            | SCP2MD1            | SCP2MD0            | SCP1MD1            | SCP1MD0            | SCP0MD1           | SCP0MD0           |        |
| PMCR                     | —                  | —                  | PM6MD1             | PM6MD0             | —                  | —                  | PM4MD1            | PM4MD0            |        |
|                          | PM3MD1             | PM3MD0             | PM2MD1             | PM2MD0             | PM1MD1             | PM1MD0             | PM0MD1            | PM0MD0            |        |
| PNCR                     | PN7MD1             | PN7MD0             | PN6MD1             | PN6MD0             | PN5MD1             | PN5MD0             | PN4MD1            | PN4MD0            |        |
|                          | PN3MD1             | PN3MD0             | PN2MD1             | PN2MD0             | PN1MD1             | PN1MD0             | PN0MD1            | PN0MD0            |        |
| PNCR2                    | —                  | PN6MD2             | PN5MD2             | PN4MD2             | PN3MD2             | PN2MD2             | PN1MD2            | PN0MD2            |        |
| PADR                     | PA7DT              | PA6DT              | PA5DT              | PA4DT              | PA3DT              | PA2DT              | PA1DT             | PA0DT             | Port   |
| PBDR                     | PB7DT              | PB6DT              | PB5DT              | PB4DT              | PB3DT              | PB2DT              | PB1DT             | PB0DT             |        |
| PCDR                     | PC7DT              | PC6DT              | PC5DT              | PC4DT              | PC3DT              | PC2DT              | PC1DT             | PC0DT             |        |
| PDDR                     | PD7DT              | PD6DT              | PD5DT              | PD4DT              | PD3DT              | PD2DT              | PD1DT             | PD0DT             |        |
| PEDR                     | PE7DT              | PE6DT              | PE5DT              | PE4DT              | PE3DT              | PE2DT              | PE1DT             | PE0DT             |        |
| PFDR                     | PF7DT              | PF6DT              | PF5DT              | PF4DT              | PF3DT              | PF2DT              | PF1DT             | PF0DT             |        |
| PGDR                     | PG7DT              | PG6DT              | PG5DT              | PG4DT              | PG3DT              | PG2DT              | PG1DT             | PG0DT             |        |



| Register<br>Abbreviation | Bit 31/<br>23/15/7 | Bit 30/<br>22/14/6 | Bit 29/<br>21/13/5 | Bit 28/<br>20/12/4 | Bit 27/<br>19/11/3 | Bit 26/<br>18/10/2 | Bit 25/<br>17/9/1 | Bit 24/<br>16/8/0 | Module |
|--------------------------|--------------------|--------------------|--------------------|--------------------|--------------------|--------------------|-------------------|-------------------|--------|
| PHDR                     | —                  | PH6DT              | PH5DT              | PH4DT              | PH3DT              | PH2DT              | PH1DT             | PH0DT             | Port   |
| PJDR                     | PJ7DT              | PJ6DT              | PJ5DT              | PJ4DT              | PJ3DT              | PJ2DT              | PJ1DT             | PJ0DT             |        |
| PKDR                     | PK7DT              | PK6DT              | PK5DT              | PK4DT              | PK3DT              | PK2DT              | PK1DT             | PK0DT             |        |
| PLDR                     | —                  | —                  | —                  | —                  | PL3DT              | PL2DT              | PL1DT             | PL0DT             |        |
| SCPDR                    | —                  | —                  | SCP 5DT            | SCP 4DT            | SCP 3DT            | SCP 2DT            | SCP 1DT           | SCP 0DT           |        |
| PMDR                     | —                  | PM6DT              | —                  | PM4DT              | PM3DT              | PM2DT              | PM1DT             | PM0DT             |        |
| PNDR                     | PN7DT              | PN6DT              | PN5DT              | PN4DT              | PN3DT              | PN2DT              | PN1DT             | PN0DT             |        |
| ADDRA                    |                    |                    |                    |                    |                    |                    |                   |                   | ADC    |
|                          | —                  | —                  | —                  | —                  | —                  | —                  | —                 | —                 |        |
| ADDRB                    |                    |                    |                    |                    |                    |                    |                   |                   |        |
|                          | —                  | —                  | —                  | —                  | —                  | —                  | —                 | —                 |        |
| ADDRC                    |                    |                    |                    |                    |                    |                    |                   |                   |        |
|                          | —                  | —                  | —                  | —                  | —                  | —                  | —                 | —                 |        |
| ADDRD                    |                    |                    |                    |                    |                    |                    |                   |                   |        |
|                          | —                  | —                  | —                  | —                  | —                  | —                  | —                 | —                 |        |
| ADCSR                    | ADF                | ADIE               | ADST               | DMASL              | —                  | —                  | —                 | —                 |        |
|                          | CKS1               | CKS0               | MULTI1             | MULTI0             | —                  | —                  | CH1               | CH0               |        |
| BDRB                     | BDB31              | BDB30              | BDB29              | BDB28              | BDB27              | BDB26              | BDB25             | BDB24             | UBC    |
|                          | BDB23              | BDB22              | BDB21              | BDB20              | BDB19              | BDB18              | BDB17             | BDB16             |        |
|                          | BDB15              | BDB14              | BDB13              | BDB12              | BDB11              | BDB10              | BDB9              | BDB8              |        |
|                          | BDB7               | BDB6               | BDB5               | BDB4               | BDB3               | BDB2               | BDB1              | BDB0              |        |
| BDMRB                    | BDMB31             | BDMB30             | BDMB29             | BDMB28             | BDMB27             | BDMB26             | BDMB25            | BDMB24            |        |
|                          | BDMB23             | BDMB22             | BDMB21             | BDMB20             | BDMB19             | BDMB18             | BDMB17            | BDMB16            |        |
|                          | BDMB15             | BDMB14             | BDMB13             | BDMB12             | BDMB11             | BDMB10             | BDMB9             | BDMB8             |        |
|                          | BDMB7              | BDMB6              | BDMB5              | BDMB4              | BDMB3              | BDMB2              | BDMB1             | BDMB0             |        |
| BRCR                     | —                  | —                  | —                  | —                  | —                  | —                  | —                 | —                 |        |
|                          | —                  | —                  | BASMA              | BASMB              | —                  | —                  | —                 | —                 |        |
|                          | SCMFCA             | SCMFCB             | SCMFDA             | SCMFDB             | PCTE               | PCBA               | —                 | —                 |        |
|                          | DBEB               | PCBB               | —                  | —                  | SEQ                | —                  | —                 | ETBE              |        |
| BETR                     | —                  | —                  | —                  | —                  | BET11              | BET10              | BET9              | BET8              |        |
|                          | BET7               | BET6               | BET5               | BET4               | BET3               | BET2               | BET1              | BET0              |        |

| Register<br>Abbreviation | Bit 31/<br>23/15/7 | Bit 30/<br>22/14/6 | Bit 29/<br>21/13/5 | Bit 28/<br>20/12/4 | Bit 27/<br>19/11/3 | Bit 26/<br>18/10/2 | Bit 25/<br>17/9/1 | Bit 24/<br>16/8/0 | Module |
|--------------------------|--------------------|--------------------|--------------------|--------------------|--------------------|--------------------|-------------------|-------------------|--------|
| BARB                     | BAB31              | BAB30              | BAB29              | BAB28              | BAB27              | BAB26              | BAB25             | BAB24             | UBC    |
|                          | BAB23              | BAB22              | BAB21              | BAB20              | BAB19              | BAB18              | BAB17             | BAB16             |        |
|                          | BAB15              | BAB14              | BAB13              | BAB12              | BAB11              | BAB10              | BAB9              | BAB8              |        |
|                          | BAB7               | BAB6               | BAB5               | BAB4               | BAB3               | BAB2               | BAB1              | BAB0              |        |
| BAMRB                    | BAMB31             | BAMB30             | BAMB29             | BAMB28             | BAMB27             | BAMB26             | BAMB25            | BAMB24            |        |
|                          | BAMB23             | BAMB22             | BAMB21             | BAMB20             | BAMB19             | BAMB18             | BAMB17            | BAMB16            |        |
|                          | BAMB15             | BAMB14             | BAMB13             | BAMB12             | BAMB11             | BAMB10             | BAMB9             | BAMB8             |        |
|                          | BAMB7              | BAMB6              | BAMB5              | BAMB4              | BAMB3              | BAMB2              | BAMB1             | BAMB0             |        |
| BBRB                     | —                  | —                  | —                  | —                  | —                  | —                  | —                 | —                 |        |
|                          | CDB1               | CDB0               | IDB1               | IDB0               | RWB1               | RWB0               | SZB1              | SZB0              |        |
| BRSR                     | SVF                | —                  | —                  | —                  | BSA27              | BSA26              | BSA25             | BSA24             |        |
|                          | BSA23              | BSA22              | BSA21              | BSA20              | BSA19              | BSA18              | BSA17             | BSA16             |        |
|                          | BSA15              | BSA14              | BSA13              | BSA12              | BSA11              | BSA10              | BSA9              | BSA8              |        |
|                          | BSA7               | BSA6               | BSA5               | BSA4               | BSA3               | BSA2               | BSA1              | BSA0              |        |
| BARA                     | BAA31              | BAA30              | BAA29              | BAA28              | BAA27              | BAA26              | BAA25             | BAA24             |        |
|                          | BAA23              | BAA22              | BAA21              | BAA20              | BAA19              | BAA18              | BAA17             | BAA16             |        |
|                          | BAA15              | BAA14              | BAA13              | BAA12              | BAA11              | BAA10              | BAA9              | BAA8              |        |
|                          | BAA7               | BAA6               | BAA5               | BAA4               | BAA3               | BAA2               | BAA1              | BAA0              |        |
| BAMRA                    | BAMA31             | BAMA30             | BAMA29             | BAMA28             | BAMA27             | BAMA26             | BAMA25            | BAMA24            |        |
|                          | BAMA23             | BAMA22             | BAMA21             | BAMA20             | BAMA19             | BAMA18             | BAMA17            | BAMA16            |        |
|                          | BAMA15             | BAMA14             | BAMA13             | BAMA12             | BAMA11             | BAMA10             | BAMA9             | BAMA8             |        |
|                          | BAMA7              | BAMA6              | BAMA5              | BAMA4              | BAMA3              | BAMA2              | BAMA1             | BAMA0             |        |
| BBRA                     | —                  | —                  | —                  | —                  | —                  | —                  | —                 | —                 |        |
|                          | CDA1               | CDA0               | IDA1               | IDA0               | RWA1               | RWA0               | SZA1              | SZA0              |        |
| BRDR                     | DVF                | —                  | —                  | —                  | BDA27              | BDA26              | BDA25             | BDA24             |        |
|                          | BDA23              | BDA22              | BDA21              | BDA20              | BDA19              | BDA18              | BDA17             | BDA16             |        |
|                          | BDA15              | BDA14              | BDA13              | BDA12              | BDA11              | BDA10              | BDA9              | BDA8              |        |
|                          | BDA7               | BDA6               | BDA5               | BDA4               | BDA3               | BDA2               | BDA1              | BDA0              |        |
| BASRA                    | BASA7              | BASA6              | BASA5              | BASA4              | BASA3              | BASA2              | BASA1             | BASA0             |        |
| BASRB                    | BASB7              | BASB6              | BASB5              | BASB4              | BASB3              | BASB2              | BASB1             | BASB0             |        |

| <b>Register<br/>Abbreviation</b> | <b>Bit 31/<br/>23/15/7</b> | <b>Bit 30/<br/>22/14/6</b> | <b>Bit 29/<br/>21/13/5</b> | <b>Bit 28/<br/>20/12/4</b> | <b>Bit 27/<br/>19/11/3</b> | <b>Bit 26/<br/>18/10/2</b> | <b>Bit 25/<br/>17/9/1</b> | <b>Bit 24/<br/>16/8/0</b> | <b>Module</b> |
|----------------------------------|----------------------------|----------------------------|----------------------------|----------------------------|----------------------------|----------------------------|---------------------------|---------------------------|---------------|
| SDIR                             | T17                        | T16                        | T15                        | T14                        | T13                        | T12                        | T11                       | T10                       | UDI           |
|                                  | —                          | —                          | —                          | —                          | —                          | —                          | —                         | —                         |               |
| SDID/SDIDH                       | DID31                      | DID30                      | DID29                      | DID28                      | DID27                      | DID26                      | DID25                     | DID24                     |               |
|                                  | DID23                      | DID22                      | DID21                      | DID20                      | DID19                      | DID18                      | DID17                     | DID16                     |               |
| SDIDL                            | DID15                      | DID14                      | DID13                      | DID12                      | DID11                      | DID10                      | DID9                      | DID8                      |               |
|                                  | DID7                       | DID6                       | DID5                       | DID4                       | DID3                       | DID2                       | DID1                      | DID0                      |               |

## 24.3 Register States in Each Operating Mode

| Register Abbreviation | Power-On Reset            | Manual Reset              | Software Standby | Module Standby | Sleep    | Module             |
|-----------------------|---------------------------|---------------------------|------------------|----------------|----------|--------------------|
| MMUCR                 | Initialized* <sup>6</sup> | Initialized* <sup>6</sup> | Retained         | Retained       | Retained | MMU                |
| PTEH                  | Undefined                 | Undefined                 | Retained         | Retained       | Retained |                    |
| PTEL                  | Undefined                 | Undefined                 | Retained         | Retained       | Retained |                    |
| TTB                   | Undefined                 | Undefined                 | Retained         | Retained       | Retained |                    |
| CCR1                  | Initialized               | Initialized               | Retained         | Retained       | Retained | Cache              |
| CCR2                  | Initialized               | Initialized               | Retained         | Retained       | Retained |                    |
| CCR3                  | Initialized               | Initialized               | Retained         | Retained       | Retained |                    |
| INTEVT2               | Undefined                 | Undefined                 | Retained         | Retained       | Retained | Exception handling |
| TRA                   | Undefined                 | Undefined                 | Retained         | Retained       | Retained |                    |
| EXPEVT                | Initialized* <sup>7</sup> | Initialized* <sup>7</sup> | Retained         | Retained       | Retained |                    |
| INTEVT                | Undefined                 | Undefined                 | Retained         | Retained       | Retained |                    |
| TEA                   | Undefined                 | Undefined                 | Retained         | Retained       | Retained |                    |
| IPRA                  | Initialized               | Initialized               | Retained         | Retained       | Retained | INTC               |
| IPRB                  | Initialized               | Initialized               | Retained         | Retained       | Retained |                    |
| IPRC                  | Initialized               | Initialized               | Retained         | Retained       | Retained |                    |
| IPRD                  | Initialized               | Initialized               | Retained         | Retained       | Retained |                    |
| IPRE                  | Initialized               | Initialized               | Retained         | Retained       | Retained |                    |
| IPRF                  | Initialized               | Initialized               | Retained         | Retained       | Retained |                    |
| IPRG                  | Initialized               | Initialized               | Retained         | Retained       | Retained |                    |
| IPRH                  | Initialized               | Initialized               | Retained         | Retained       | Retained |                    |
| ICR0                  | Initialized* <sup>8</sup> | Initialized* <sup>8</sup> | Retained         | Retained       | Retained |                    |
| ICR1                  | Initialized               | Initialized               | Retained         | Retained       | Retained |                    |
| ICR2                  | Initialized               | Initialized               | Retained         | Retained       | Retained |                    |
| IRR0                  | Initialized               | Initialized               | Retained         | Retained       | Retained |                    |
| IRR1                  | Initialized               | Initialized               | Retained         | Retained       | Retained |                    |
| IRR2                  | Initialized               | Initialized               | Retained         | Retained       | Retained |                    |
| PINTER                | Initialized               | Initialized               | Retained         | Retained       | Retained |                    |
| CMNCR                 | Initialized* <sup>9</sup> | Retained                  | Retained         | Retained       | Retained | BSC                |
| CS0BCR                | Initialized               | Retained                  | Retained         | Retained       | Retained |                    |
| CS2BCR                | Initialized               | Retained                  | Retained         | Retained       | Retained |                    |
| CS3BCR                | Initialized               | Retained                  | Retained         | Retained       | Retained |                    |
| CS4BCR                | Initialized               | Retained                  | Retained         | Retained       | Retained |                    |

| Register Abbreviation | Power-On Reset | Manual Reset | Software Standby | Module Standby | Sleep    | Module |      |
|-----------------------|----------------|--------------|------------------|----------------|----------|--------|------|
| CS5ABCR               | Initialized    | Retained     | Retained         | Retained       | Retained | BSC    |      |
| CS5BBCR               | Initialized    | Retained     | Retained         | Retained       | Retained |        |      |
| CS6ABCR               | Initialized    | Retained     | Retained         | Retained       | Retained |        |      |
| CS6BBCR               | Initialized    | Retained     | Retained         | Retained       | Retained |        |      |
| CS0WCR                | Initialized    | Retained     | Retained         | Retained       | Retained |        |      |
| CS2 WCR               | Initialized    | Retained     | Retained         | Retained       | Retained |        |      |
| CS3 WCR               | Initialized    | Retained     | Retained         | Retained       | Retained |        |      |
| CS4 WCR               | Initialized    | Retained     | Retained         | Retained       | Retained |        |      |
| CS5A WCR              | Initialized    | Retained     | Retained         | Retained       | Retained |        |      |
| CS5B WCR              | Initialized    | Retained     | Retained         | Retained       | Retained |        |      |
| CS6A WCR              | Initialized    | Retained     | Retained         | Retained       | Retained |        |      |
| CS6B WCR              | Initialized    | Retained     | Retained         | Retained       | Retained |        |      |
| SDCR                  | Initialized    | Retained     | Retained         | Retained       | Retained |        |      |
| RTCSCR                | Initialized    | Retained     | Retained         | Retained       | Retained |        |      |
| RTCNT                 | Initialized    | Retained     | Retained         | Retained       | Retained |        |      |
| RTCOR                 | Initialized    | Retained     | Retained         | Retained       | Retained |        |      |
| SDMR2                 | —              | —            | —                | —              | —        |        |      |
| SDMR3                 | —              | —            | —                | —              | —        |        |      |
| SAR_0                 | Undefined      | Undefined    | Retained         | Retained       | Retained |        | DMAC |
| DAR_0                 | Undefined      | Undefined    | Retained         | Retained       | Retained |        |      |
| DMATCR_0              | Undefined      | Undefined    | Retained         | Retained       | Retained |        |      |
| CHCR_0                | Initialized    | Initialized  | Retained         | Retained       | Retained |        |      |
| SAR_1                 | Undefined      | Undefined    | Retained         | Retained       | Retained |        |      |
| DAR_1                 | Undefined      | Undefined    | Retained         | Retained       | Retained |        |      |
| DMATCR_1              | Undefined      | Undefined    | Retained         | Retained       | Retained |        |      |
| CHCR_1                | Initialized    | Initialized  | Retained         | Retained       | Retained |        |      |
| SAR_2                 | Undefined      | Undefined    | Retained         | Retained       | Retained |        |      |
| DAR_2                 | Undefined      | Undefined    | Retained         | Retained       | Retained |        |      |
| DMATCR_2              | Undefined      | Undefined    | Retained         | Retained       | Retained |        |      |
| CHCR_2                | Initialized    | Initialized  | Retained         | Retained       | Retained |        |      |
| SAR_3                 | Undefined      | Undefined    | Retained         | Retained       | Retained |        |      |
| DAR_3                 | Undefined      | Undefined    | Retained         | Retained       | Retained |        |      |

| Register Abbreviation | Power-On Reset            | Manual Reset | Software Standby | Module Standby | Sleep    | Module           |     |
|-----------------------|---------------------------|--------------|------------------|----------------|----------|------------------|-----|
| DMATCR_3              | Undefined                 | Undefined    | Retained         | Retained       | Retained | DMAC             |     |
| CHCR_3                | Initialized               | Initialized  | Retained         | Retained       | Retained |                  |     |
| DMAOR                 | Initialized               | Initialized  | Retained         | Retained       | Retained |                  |     |
| DMARS0                | Initialized               | Initialized  | Retained         | Retained       | Retained |                  |     |
| DMARS1                | Initialized               | Initialized  | Retained         | Retained       | Retained |                  |     |
| UCLKCR                | Initialized               | Retained     | Retained         | Retained       | Retained |                  | CPG |
| FRQCR                 | Initialized <sup>*5</sup> | Retained     | Retained         | Retained       | Retained |                  |     |
| WTCNT                 | Initialized <sup>*5</sup> | Retained     | Retained         | Retained       | Retained | WDT              |     |
| WTCSR                 | Initialized <sup>*5</sup> | Retained     | Retained         | Retained       | Retained |                  |     |
| STBCR                 | Initialized               | Retained     | Retained         | Retained       | Retained | Power-down modes |     |
| STBCR2                | Initialized               | Retained     | Retained         | Retained       | Retained |                  |     |
| STBCR3                | Initialized               | Retained     | Retained         | Retained       | Retained |                  |     |
| TSTR                  | Initialized               | Initialized  | Initialized      | Initialized    | Retained | TMU              |     |
| TCOR_0                | Initialized               | Initialized  | Retained         | Retained       | Retained |                  |     |
| TCNT_0                | Initialized               | Initialized  | Retained         | Retained       | Retained |                  |     |
| TCR_0                 | Initialized               | Initialized  | Retained         | Retained       | Retained |                  |     |
| TCOR_1                | Initialized               | Initialized  | Retained         | Retained       | Retained |                  |     |
| TCNT_1                | Initialized               | Initialized  | Retained         | Retained       | Retained |                  |     |
| TCR_1                 | Initialized               | Initialized  | Retained         | Retained       | Retained |                  |     |
| TCOR_2                | Initialized               | Initialized  | Retained         | Retained       | Retained |                  |     |
| TCNT_2                | Initialized               | Initialized  | Retained         | Retained       | Retained |                  |     |
| TCR_2                 | Initialized               | Initialized  | Retained         | Retained       | Retained |                  |     |
| TCPR_2                | Undefined                 | Undefined    | Retained         | Retained       | Retained |                  |     |
| CMSTR                 | Initialized               | Initialized  | Retained         | Retained       | Retained |                  | CMT |
| CMCSR                 | Initialized               | Initialized  | Retained         | Retained       | Retained |                  |     |
| CMCNT                 | Initialized               | Initialized  | Retained         | Retained       | Retained |                  |     |
| CMCOR                 | Initialized               | Initialized  | Retained         | Retained       | Retained |                  |     |

| <b>Register Abbreviation</b> | <b>Power-On Reset</b> | <b>Manual Reset</b> | <b>Software Standby</b> | <b>Module Standby</b> | <b>Sleep</b> | <b>Module</b> |
|------------------------------|-----------------------|---------------------|-------------------------|-----------------------|--------------|---------------|
| TSTR                         | Initialized           | Initialized         | Retained                | Retained              | Retained     | TPU           |
| TCR_0                        | Initialized           | Initialized         | Retained                | Retained              | Retained     |               |
| TMDR_0                       | Initialized           | Initialized         | Retained                | Retained              | Retained     |               |
| TIOR_0                       | Initialized           | Initialized         | Retained                | Retained              | Retained     |               |
| TIER_0                       | Initialized           | Initialized         | Retained                | Retained              | Retained     |               |
| TSR_0                        | Initialized           | Initialized         | Retained                | Retained              | Retained     |               |
| TCNT_0                       | Initialized           | Initialized         | Retained                | Retained              | Retained     |               |
| TGRA_0                       | Initialized           | Initialized         | Retained                | Retained              | Retained     |               |
| TGRB_0                       | Initialized           | Initialized         | Retained                | Retained              | Retained     |               |
| TGRC_0                       | Initialized           | Initialized         | Retained                | Retained              | Retained     |               |
| TGRD_0                       | Initialized           | Initialized         | Retained                | Retained              | Retained     |               |
| TCR_1                        | Initialized           | Initialized         | Retained                | Retained              | Retained     |               |
| TMDR_1                       | Initialized           | Initialized         | Retained                | Retained              | Retained     |               |
| TIOR_1                       | Initialized           | Initialized         | Retained                | Retained              | Retained     |               |
| TIER_1                       | Initialized           | Initialized         | Retained                | Retained              | Retained     |               |
| TSR_1                        | Initialized           | Initialized         | Retained                | Retained              | Retained     |               |
| TCNT_1                       | Initialized           | Initialized         | Retained                | Retained              | Retained     |               |
| TGRA_1                       | Initialized           | Initialized         | Retained                | Retained              | Retained     |               |
| TGRB_1                       | Initialized           | Initialized         | Retained                | Retained              | Retained     |               |
| TGRC_1                       | Initialized           | Initialized         | Retained                | Retained              | Retained     |               |
| TGRD_1                       | Initialized           | Initialized         | Retained                | Retained              | Retained     |               |
| TCR_2                        | Initialized           | Initialized         | Retained                | Retained              | Retained     |               |
| TMDR_2                       | Initialized           | Initialized         | Retained                | Retained              | Retained     |               |
| TIOR_2                       | Initialized           | Initialized         | Retained                | Retained              | Retained     |               |
| TIER_2                       | Initialized           | Initialized         | Retained                | Retained              | Retained     |               |
| TSR_2                        | Initialized           | Initialized         | Retained                | Retained              | Retained     |               |
| TCNT_2                       | Initialized           | Initialized         | Retained                | Retained              | Retained     |               |
| TGRA_2                       | Initialized           | Initialized         | Retained                | Retained              | Retained     |               |
| TGRB_2                       | Initialized           | Initialized         | Retained                | Retained              | Retained     |               |
| TGRC_2                       | Initialized           | Initialized         | Retained                | Retained              | Retained     |               |
| TGRD_2                       | Initialized           | Initialized         | Retained                | Retained              | Retained     |               |

| Register Abbreviation | Power-On Reset             | Manual Reset               | Software Standby    | Module Standby | Sleep               | Module |     |
|-----------------------|----------------------------|----------------------------|---------------------|----------------|---------------------|--------|-----|
| TCR_3                 | Initialized                | Initialized                | Retained            | Retained       | Retained            | TPU    |     |
| TMDR_3                | Initialized                | Initialized                | Retained            | Retained       | Retained            |        |     |
| TIOR_3                | Initialized                | Initialized                | Retained            | Retained       | Retained            |        |     |
| TIER_3                | Initialized                | Initialized                | Retained            | Retained       | Retained            |        |     |
| TSR_3                 | Initialized                | Initialized                | Retained            | Retained       | Retained            |        |     |
| TCNT_3                | Initialized                | Initialized                | Retained            | Retained       | Retained            |        |     |
| TGRA_3                | Initialized                | Initialized                | Retained            | Retained       | Retained            |        |     |
| TGRB_3                | Initialized                | Initialized                | Retained            | Retained       | Retained            |        |     |
| TGRC_3                | Initialized                | Initialized                | Retained            | Retained       | Retained            |        |     |
| TGRD_3                | Initialized                | Initialized                | Retained            | Retained       | Retained            |        |     |
| R64CNT                | Operation continued        | Operation continued        | Operation continued | Retained       | Operation continued |        | RTC |
| RSECCNT               | Operation continued        | Operation continued        | Operation continued | Retained       | Operation continued |        |     |
| RMINCNT               | Operation continued        | Operation continued        | Operation continued | Retained       | Operation continued |        |     |
| RHRCNT                | Operation continued        | Operation continued        | Operation continued | Retained       | Operation continued |        |     |
| RWKCNT                | Operation continued        | Operation continued        | Operation continued | Retained       | Operation continued |        |     |
| RDAYCNT               | Operation continued        | Operation continued        | Operation continued | Retained       | Operation continued |        |     |
| RMONCNT               | Operation continued        | Operation continued        | Operation continued | Retained       | Operation continued |        |     |
| RYRCNT                | Operation continued        | Operation continued        | Operation continued | Retained       | Operation continued |        |     |
| RSECAR                | Retained* <sup>1</sup>     | Retained                   | Retained            | Retained       | Retained            |        |     |
| RMINAR                | Retained* <sup>1</sup>     | Retained                   | Retained            | Retained       | Retained            |        |     |
| RHRAR                 | Retained* <sup>1</sup>     | Retained                   | Retained            | Retained       | Retained            |        |     |
| RWKAR                 | Retained* <sup>1</sup>     | Retained                   | Retained            | Retained       | Retained            |        |     |
| RDAYAR                | Retained* <sup>1</sup>     | Retained                   | Retained            | Retained       | Retained            |        |     |
| RMONAR                | Retained* <sup>1</sup>     | Retained                   | Retained            | Retained       | Retained            |        |     |
| RCR1                  | Initialized* <sup>2</sup>  | Initialized* <sup>2</sup>  | Retained            | Retained       | Retained            |        |     |
| RCR2                  | Initialized* <sup>10</sup> | Initialized* <sup>10</sup> | Retained            | Retained       | Retained            |        |     |
| RYRAR                 | Retained                   | Retained                   | Retained            | Retained       | Retained            |        |     |
| RCR3                  | Initialized                | Retained                   | Retained            | Retained       | Retained            |        |     |



| <b>Register Abbreviation</b> | <b>Power-On Reset</b> | <b>Manual Reset</b> | <b>Software Standby</b> | <b>Module Standby</b> | <b>Sleep</b> | <b>Module</b> |
|------------------------------|-----------------------|---------------------|-------------------------|-----------------------|--------------|---------------|
| SCSMR_0                      | Initialized           | Initialized         | Retained                | Retained              | Retained     | SCIF_0        |
| SCBRR_0                      | Initialized           | Initialized         | Retained                | Retained              | Retained     |               |
| SCSCR_0                      | Initialized           | Initialized         | Retained                | Retained              | Retained     |               |
| SCTDSR_0                     | Initialized           | Initialized         | Retained                | Retained              | Retained     |               |
| SCFER_0                      | Initialized           | Initialized         | Retained                | Retained              | Retained     |               |
| SCSSR_0                      | Initialized           | Initialized         | Retained                | Retained              | Retained     |               |
| SCFCR_0                      | Initialized           | Initialized         | Retained                | Retained              | Retained     |               |
| SCFDR_0                      | Initialized           | Initialized         | Retained                | Retained              | Retained     |               |
| SCFTDR_0                     | Undefined             | Undefined           | Retained                | Retained              | Retained     |               |
| SCFRDR_0                     | Undefined             | Undefined           | Retained                | Retained              | Retained     |               |
| SCSMR_2                      | Initialized           | Initialized         | Retained                | Retained              | Retained     | SCIF_2        |
| SCBRR_2                      | Initialized           | Initialized         | Retained                | Retained              | Retained     |               |
| SCSCR_2                      | Initialized           | Initialized         | Retained                | Retained              | Retained     |               |
| SCTDSR_2                     | Initialized           | Initialized         | Retained                | Retained              | Retained     |               |
| SCFER_2                      | Initialized           | Initialized         | Retained                | Retained              | Retained     |               |
| SCSSR_2                      | Initialized           | Initialized         | Retained                | Retained              | Retained     |               |
| SCFCR_2                      | Initialized           | Initialized         | Retained                | Retained              | Retained     |               |
| SCFDR_2                      | Initialized           | Initialized         | Retained                | Retained              | Retained     |               |
| SCFTDR_2                     | Undefined             | Undefined           | Retained                | Retained              | Retained     |               |
| SCFRDR_2                     | Undefined             | Undefined           | Retained                | Retained              | Retained     |               |
| SCSMR_Ir                     | Initialized           | Initialized         | Retained                | Retained              | Retained     | IrDA          |
| EPDR0i                       | Undefined             | Undefined           | Retained                | Retained              | Retained     | USB           |
| EPDR0o                       | Undefined             | Undefined           | Retained                | Retained              | Retained     |               |
| EPDR0s                       | Undefined             | Undefined           | Retained                | Retained              | Retained     |               |
| EPDR1                        | Undefined             | Undefined           | Retained                | Retained              | Retained     |               |
| EPDR2                        | Undefined             | Undefined           | Retained                | Retained              | Retained     |               |
| EPDR3                        | Undefined             | Undefined           | Retained                | Retained              | Retained     |               |
| IFR0                         | Initialized           | Initialized         | Retained                | Retained              | Retained     |               |
| IFR1                         | Initialized           | Initialized         | Retained                | Retained              | Retained     |               |
| TRG                          | Undefined             | Undefined           | Retained                | Retained              | Retained     |               |
| FCLR                         | Undefined             | Undefined           | Retained                | Retained              | Retained     |               |
| EPSZ0o                       | Initialized           | Initialized         | Retained                | Retained              | Retained     |               |
| DASTS                        | Initialized           | Initialized         | Retained                | Retained              | Retained     |               |

| <b>Register Abbreviation</b> | <b>Power-On Reset</b> | <b>Manual Reset</b> | <b>Software Standby</b> | <b>Module Standby</b> | <b>Sleep</b> | <b>Module</b> |     |
|------------------------------|-----------------------|---------------------|-------------------------|-----------------------|--------------|---------------|-----|
| EPSTL                        | Initialized           | Initialized         | Retained                | Retained              | Retained     | USB           |     |
| IER0                         | Initialized           | Initialized         | Retained                | Retained              | Retained     |               |     |
| IER1                         | Initialized           | Initialized         | Retained                | Retained              | Retained     |               |     |
| EPSZ1                        | Initialized           | Initialized         | Retained                | Retained              | Retained     |               |     |
| DMAR                         | Initialized           | Initialized         | Retained                | Retained              | Retained     |               |     |
| ISR0                         | Initialized           | Initialized         | Retained                | Retained              | Retained     |               |     |
| ISR1                         | Initialized           | Initialized         | Retained                | Retained              | Retained     |               |     |
| XVERCR                       | Initialized           | Initialized         | Retained                | Retained              | Retained     |               |     |
| PACR                         | Initialized           | Retained            | Retained                | Retained              | Retained     |               | PFC |
| PBCR                         | Initialized           | Retained            | Retained                | Retained              | Retained     |               |     |
| PCCR                         | Initialized           | Retained            | Retained                | Retained              | Retained     |               |     |
| PDCR                         | Initialized           | Retained            | Retained                | Retained              | Retained     |               |     |
| PECR                         | Initialized           | Retained            | Retained                | Retained              | Retained     |               |     |
| PECR2                        | Initialized           | Retained            | Retained                | Retained              | Retained     |               |     |
| PFCR                         | Initialized           | Retained            | Retained                | Retained              | Retained     |               |     |
| PFCR2                        | Initialized           | Retained            | Retained                | Retained              | Retained     |               |     |
| PGCR                         | Initialized           | Retained            | Retained                | Retained              | Retained     |               |     |
| PHCR                         | Initialized           | Retained            | Retained                | Retained              | Retained     |               |     |
| PJCR                         | Initialized           | Retained            | Retained                | Retained              | Retained     |               |     |
| PKCR                         | Initialized           | Retained            | Retained                | Retained              | Retained     |               |     |
| PLCR                         | Initialized           | Retained            | Retained                | Retained              | Retained     |               |     |
| SCPCR                        | Initialized           | Retained            | Retained                | Retained              | Retained     |               |     |
| PMCR                         | Initialized           | Retained            | Retained                | Retained              | Retained     |               |     |
| PNCR                         | Initialized           | Retained            | Retained                | Retained              | Retained     |               |     |
| PNCR2                        | Initialized           | Retained            | Retained                | Retained              | Retained     |               |     |
| PADR                         | Initialized           | Retained            | Retained                | Retained              | Retained     | Port          |     |
| PBDR                         | Initialized           | Retained            | Retained                | Retained              | Retained     |               |     |
| PCDR                         | Initialized           | Retained            | Retained                | Retained              | Retained     |               |     |
| PDDR                         | Initialized           | Retained            | Retained                | Retained              | Retained     |               |     |
| PEDR                         | Initialized           | Retained            | Retained                | Retained              | Retained     |               |     |
| PFDR                         | Initialized           | Retained            | Retained                | Retained              | Retained     |               |     |
| PGDR                         | Initialized           | Retained            | Retained                | Retained              | Retained     |               |     |

| Register Abbreviation    | Power-On Reset            | Manual Reset | Software Standby | Module Standby | Sleep    | Module |
|--------------------------|---------------------------|--------------|------------------|----------------|----------|--------|
| PHDR                     | Initialized               | Retained     | Retained         | Retained       | Retained | Port   |
| PJDR                     | Initialized               | Retained     | Retained         | Retained       | Retained |        |
| PKDR                     | Initialized               | Retained     | Retained         | Retained       | Retained |        |
| PLDR                     | Initialized               | Retained     | Retained         | Retained       | Retained |        |
| SCPDR                    | Initialized               | Retained     | Retained         | Retained       | Retained |        |
| PMDR                     | Initialized               | Retained     | Retained         | Retained       | Retained |        |
| PNDR                     | Initialized               | Retained     | Retained         | Retained       | Retained | ADC    |
| ADDRA                    | Initialized               | Initialized  | Initialized      | Initialized    | Retained |        |
| ADDRB                    | Initialized               | Initialized  | Initialized      | Initialized    | Retained |        |
| ADDRC                    | Initialized               | Initialized  | Initialized      | Initialized    | Retained |        |
| ADDRD                    | Initialized               | Initialized  | Initialized      | Initialized    | Retained |        |
| ADCSR                    | Initialized               | Initialized  | Initialized      | Initialized    | Retained |        |
| BDRB                     | Initialized               | Retained     | Retained         | Retained       | Retained | UBC    |
| BDMRB                    | Initialized               | Retained     | Retained         | Retained       | Retained |        |
| BRCR                     | Initialized               | Retained     | Retained         | Retained       | Retained |        |
| BETR                     | Initialized               | Retained     | Retained         | Retained       | Retained |        |
| BARB                     | Initialized               | Retained     | Retained         | Retained       | Retained |        |
| BAMRB                    | Initialized               | Retained     | Retained         | Retained       | Retained |        |
| BBRB                     | Initialized               | Retained     | Retained         | Retained       | Retained |        |
| BRSR                     | Initialized <sup>*3</sup> | Retained     | Retained         | Retained       | Retained |        |
| BARA                     | Initialized               | Retained     | Retained         | Retained       | Retained |        |
| BAMRA                    | Initialized               | Retained     | Retained         | Retained       | Retained |        |
| BBRA                     | Initialized               | Retained     | Retained         | Retained       | Retained |        |
| BRDR                     | Initialized <sup>*3</sup> | Retained     | Retained         | Retained       | Retained |        |
| BASRA                    | Undefined                 | Retained     | Retained         | Retained       | Retained |        |
| BASRB                    | Undefined                 | Retained     | Retained         | Retained       | Retained |        |
| SDIR                     | Retained                  | Retained     | Retained         | Retained       | Retained | UDI    |
| SDID/SDIDH <sup>*4</sup> | —                         | —            | —                | —              | —        |        |
| SDIDL <sup>*4</sup>      | —                         | —            | —                | —              | —        |        |

- Notes:
1. The ENB bit is initialized. Other bits are retained.
  2. The CF bit is undefined.
  3. Although the flag is initialized, other bits are not initialized (except the reserved bits).
  4. Values of these registers are fixed.
  5. These registers are not initialized by a power-on reset caused by the WDT.

6. The SV bit is undefined.
7. EXPEVT[11:0] = H'000 at a power-on reset and EXPEVT[11:0] = H'020 at a manual reset.
8. The NMIL bit = 1 when the NMI input is high, and the NMIL bit = 0 when the NMI input is low.
9. The ENDIAN bit indicates the MD5 pin input sampled at a power-on reset.
10. At a power-on reset, this register is initialized to H'09. At a manual reset, bits other than the RTCEN and START bits are initialized.

## 25.1 Absolute Maximum Ratings

Table 25.1 shows the absolute maximum ratings.

**Table 25.1 Absolute Maximum Ratings**

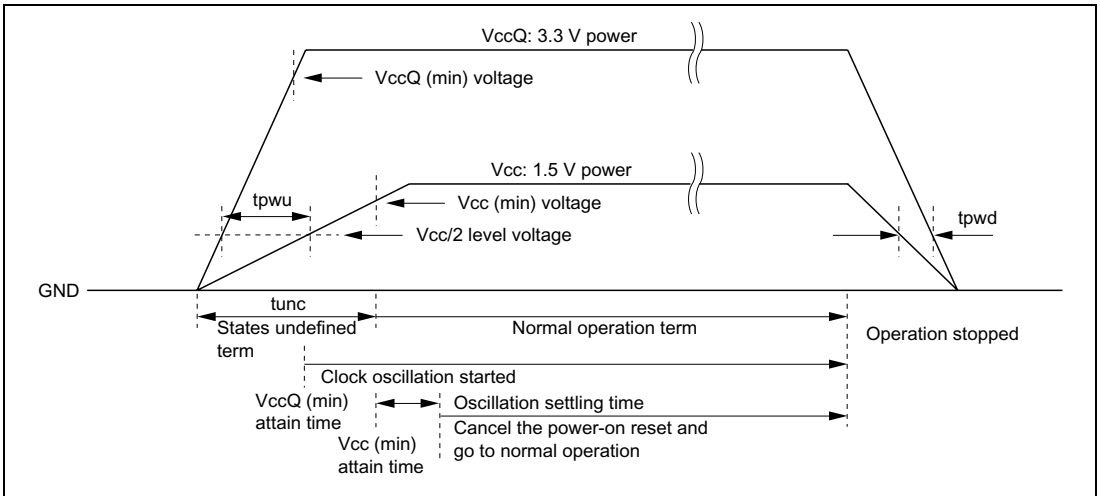
| Item                              | Symbol  | Rating                               | Unit |
|-----------------------------------|---|--------------------------------------|------|
| Power supply voltage (I/O)        | V <sub>CCQ</sub><br>V <sub>CC-RTC</sub>                         | -0.3 to 4.2                          | V    |
| Power supply voltage (internal)   | V <sub>CC</sub><br>V <sub>CC-PLL1</sub><br>V <sub>CC-PLL2</sub> | -0.3 to 2.1                          | V    |
| Input voltage (except port L)     | V <sub>in</sub>   | -0.3 to V <sub>CCQ</sub> + 0.3       | V    |
| Input voltage (port L)            | V <sub>in</sub>   | -0.3 to AV <sub>CC</sub> + 0.3       | V    |
| Analog power supply voltage (AD)  | AV <sub>CC</sub>  | -0.3 to 4.2                          | V    |
| Analog input voltage (AD)         | V <sub>AN</sub>   | -0.3 to AV <sub>CC</sub> + 0.3       | V    |
| Analog power supply voltage (USB) | V <sub>CC-USB</sub>   | -0.3 to 4.2                          | V    |
| Analog input voltage (USB)        | V <sub>IN</sub>   | -0.3 to (V <sub>CC-USB</sub> ) + 0.3 | V    |
| Operating temperature             | T <sub>opr</sub>  | -20 to 75                            | °C   |
| Storage temperature               | T <sub>stg</sub>  | -55 to 125                           | °C   |

### Caution:

- Operating the chip in excess of the absolute maximum rating may result in permanent damage.
- Order of turning on 1.5 V power (V<sub>cc</sub>, V<sub>cc-PLL1</sub>, V<sub>cc-PLL2</sub>) and 3.3 V power (V<sub>ccQ</sub>, V<sub>cc-RTC</sub>, AV<sub>cc</sub>, V<sub>cc-USB</sub>):
  1. The 3.3 V power and the 1.5 V power should be turned on simultaneously or the 3.3 V power should be turned on first. When the 3.3 V is turned on first, turn on the 1.5 V power within 1 ms. It is recommended that this interval will be as short as possible.
  2. Until voltage is applied to all power supplies and a low level is input at the RESETP pin, internal circuits remain unsettled, and so pin states are also undefined. The system design must ensure that these undefined states do not cause erroneous system operation.
  3. When the power is turned on, make sure that the voltage of the 1.5 V power is lower than that of the 3.3 V power.

- Power-off order
  1. In the reverse order of powering-on, first turn off the 1.5 V power, then turn off the 3.3 V power within 1 ms. It is recommended that this interval will be as short as possible.
  2. Pin states are undefined while only the 1.5 V power is off. The system design must ensure that these undefined states do not cause erroneous system operation.
  3. When the power is turned off, make sure that the voltage of the 1.5 V power is lower than that of the 3.3 V power.

Waveforms and recommended times at power on/off are shown in figure 25.1.



**Figure 25.1 Power On/Off Sequence**

### Recommended Power On/Off Times

| Item                                | Symbol | Max. Permitted Value | Unit |
|-------------------------------------|--------|----------------------|------|
| VccQ to Vcc power-on time interval  | tpwu   | 1                    | ms   |
| VccQ to Vcc power-off time interval | tpwd   | 1                    | ms   |
| State undefined term                | tunc   | 10                   | ms   |

The recommended times shown above do not require strict settings.

The state undefined term indicates that pins are at the power rising stage. The pin state is stabilized at VccQ (min) attain time. However, a power-on reset ( $\overline{\text{RESETP}}$ ) is accepted successfully only after VccQ (min) attain time and clock oscillation settling time. Set the state undefined term less than 10 ms.

## 25.2 DC Characteristics

Tables 25.2 and 25.3 list DC characteristics.

**Table 25.2 DC Characteristics (1) [Common Items]**

(Condition:  $T_a = -20$  to  $75^\circ\text{C}$ )

| Item                     |                                      | Symbol                                       | Min       | Typ | Max | Unit             | Measurement Conditions                              |
|--------------------------|--------------------------------------|--|-----------|-----|-----|------------------|---|
| Power supply voltage     |                                      | $V_{CCQ}$ ,<br>$V_{CC-RTC}$                  | 3.0       | 3.3 | 3.6 | V                |   |
|                          |                                      | $V_{CC}$ ,<br>$V_{CC-PLL1}$<br>$V_{CC-PLL2}$ | 1.4       | 1.5 | 1.6 |                  |   |
| Current consumption      | Normal operation                     | $I_{CC}$                                     | —         | 133 | 200 | mA               | $V_{CC} = 1.5\text{ V}$<br>$I\phi = 133\text{ MHz}$ |
|                          |                                      |  | —         | 105 | 150 |                  | $V_{CC} = 1.5\text{ V}$<br>$I\phi = 100\text{ MHz}$ |
|                          |                                      | $I_{CCQ}$                                    | —         | 20  | 40  |                  | $V_{CCQ} = 3.3\text{ V}$<br>$B\phi = 33\text{ MHz}$ |
|                          | In sleep mode*                       | $I_{CC}$                                     | —         | 25  | 40  | mA               | $B\phi = 33\text{ MHz}$                             |
|                          |                                      |  | $I_{CCQ}$ | —   | 10  |                  | 20  |
|                          | In standby mode                      |  | $I_{CC}$  | —   | 150 | 500              | $\mu\text{A}$                                       |
| $I_{CCQ}$                |                                      |  |           | —   | 10  | 30               |   |
|                          |                                      | $I_{CC}$                                     | —         | 150 | 500 | $\mu\text{A}$    | $T_a = 25^\circ\text{C}$ (RTC off)                  |
|                          |                                      |  | $I_{CCQ}$ | —   | 10  |                  | 30  |
| Input leak current       | All input pins                       | $ I_{in} $                                   | —         | —   | 1.0 | $\mu\text{A}$    | $V_{in} = 0.5$ to $V_{CCQ} - 0.5\text{ V}$          |
| Three-state leak current | I/O, all output pins (off condition) | $ I_{TSI} $                                  | —         | —   | 1.0 | $\mu\text{A}$    | $V_{in} = 0.5$ to $V_{CCQ} - 0.5\text{ V}$          |
| Pull-up resistance       | Port pin                             | $R_{pull}$                                   | 30        | 60  | 120 | $\text{k}\Omega$ |   |

| Item                              |  | Symbol              | Min | Typ  | Max | Unit | Measurement Conditions |
|-----------------------------------|--|---------------------|-----|------|-----|------|------------------------|
| Pin capacitance                   | All pins other than the USB transceiver pins (D+, D-) and PTM3 to PTM0 | C                   | —   | —    | 10  | pF   |                        |
|                                   | USB transceiver pins (D+, D-) and PTM3 to PTM0                         | C <sub>AN</sub>     | —   | —    | 20  | pF   |                        |
| Analog power-supply voltage (AD)  |  | AV <sub>CC</sub>    | 3.0 | 3.3  | 3.6 | V    |                        |
| Analog power-supply voltage (USB) |  | V <sub>CC-USB</sub> | 3.0 | 3.3  | 3.6 | V    |                        |
| Analog power-supply current (AD)  | During A/D conversion  | I <sub>CC</sub>     | —   | 0.8  | 2   | mA   |                        |
|                                   | Idle   |                     | —   | 0.01 | 5.0 | μA   |                        |

Note: \* No external bus cycles except refresh cycles.



**Table 25.2 DC Characteristics (2-a) [Excluding USB-Related Pins]**

(Condition: Ta = -20 to 75°C)

| Item               | Symbol  | Min      | Typ                  | Max                  | Unit                 | Measurement Conditions |   |
|--------------------|---|----------|----------------------|----------------------|----------------------|------------------------|---|
| Input high voltage | RESETP, RESETM, NMI, IRQ5 to IRQ0, PINT15 to PINT0, RXD0, MD6 to MD0, ASEMD0, TRST, EXTAL, CKIO, CA | $V_{IH}$ | $V_{CCQ} \times 0.9$ | —                    | $V_{CCQ} + 0.3$      | V                      |   |
|                    | EXTAL2  | —        | —                    | —                    |                      |                        | When this pin is not connected to the crystal resonator, this pin should be connected to the $V_{CCQ}$ pin (pulled up). |
|                    | Port L  | 2.0      | —                    | $AV_{CC} + 0.3$      |                      |                        |   |
|                    | Other input pins  | 2.0      | —                    | $V_{CCQ} + 0.3$      |                      |                        |   |
| Input low voltage  | RESETP, RESETM, NMI, IRQ5 to IRQ0, PINT15 to PINT0, RXD0, MD6 to MD0, ASEMD0, TRST, EXTAL, CKIO, CA | $V_{IL}$ | -0.3                 | —                    | $V_{CCQ} \times 0.1$ | V                      |   |
|                    | EXTAL2  | —        | —                    | —                    |                      |                        | When this pin is not connected to the crystal resonator, this pin should be connected to the $V_{CCQ}$ pin (pulled up). |
|                    | Port L  | -0.3     | —                    | $AV_{CC} \times 0.2$ |                      |                        |   |

| Item                |                  | Symbol   | Min  | Typ | Max                  | Unit | Measurement Conditions                        |
|---------------------|------------------|----------|------|-----|----------------------|------|---|
| Input low voltage   | Other input pins | $V_{IL}$ | -0.3 | —   | $V_{CCQ} \times 0.2$ | V    |   |
| Output high voltage | All output pins  | $V_{OH}$ | 2.4  | —   | —                    | V    | $V_{CCQ} = 3.0$ V,<br>$I_{OH} = -200$ $\mu$ A |
|                     |                  |          | 2.0  | —   | —                    |      | $V_{CCQ} = 3.0$ V,<br>$I_{OH} = -2$ mA        |
| Output low voltage  | All output pins  | $V_{OL}$ | —    | —   | 0.55                 | V    | $V_{CCQ} = 3.6$ V,<br>$I_{OL} = 1.6$ mA       |

- Notes:
1. Even when the RTC is not used, power must be supplied between  $V_{CC}$ -RTC and  $V_{SS}$ -RTC.
  2.  $AV_{CC}$  must satisfy the condition:  $V_{CCQ} - 0.2$  V  $\leq AV_{CC} \leq V_{CCQ} + 0.2$  V. Do not leave the  $AV_{CC}$  and  $AV_{SS}$  pins open if the A/D converter is not used; connect  $AV_{CC}$  to  $V_{CCQ}$ , and  $AV_{SS}$  to  $V_{SSQ}$ .
  3. Current consumption values are for  $V_{IHmin} = V_{CCQ} - 0.5$  V and  $V_{ILmax} = 0.5$  V with all output pins unloaded.

**Table 25.2 DC Characteristics (2-b) [USB-Related Pins\*]**

(Condition:  $T_a = -20$  to  $75^\circ\text{C}$ )

| Item                           | Symbol               | Min             | Typ | Max                  | Unit | Measurement Conditions                        |
|--------------------------------|----------------------|-----------------|-----|----------------------|------|---|
| Power supply voltage           | $V_{CCQ}$            | 3.0             | 3.3 | 3.6                  | V    |   |
| Input high voltage             | $V_{IH}$             | 2.0             | —   | $V_{CCQ} + 0.3$      | V    |   |
| Input low voltage              | $V_{IL}$             | -0.3            | —   | $V_{CCQ} \times 0.2$ | V    |   |
| Input high voltage (EXTAL_USB) | $V_{IH}$ (EXTAL_USB) | $V_{CCQ} - 0.3$ | —   | $V_{CCQ} + 0.3$      | V    |   |
| Input low voltage (EXTAL_USB)  | $V_{IL}$ (EXTAL_USB) | -0.3            | —   | $V_{CCQ} \times 0.2$ | V    |   |
| Output high voltage            | $V_{OH}$             | 2.4             | —   | —                    | V    | $V_{CCQ} = 3.0$ V,<br>$I_{OH} = -200$ $\mu$ A |
|                                |                      | 2.0             | —   | —                    |      | $V_{CCQ} = 3.0$ V,<br>$I_{OH} = -2$ mA        |
| Output low voltage             | $V_{OL}$             | —               | —   | 0.55                 | V    | $V_{CCQ} = 3.6$ V,<br>$I_{OL} = 1.6$ mA       |

Note: \*XVDATA, DPLS, DMNS, TXDPLS, TXDMNS, TXENL, VBUS, SUSPND, and EXTAL\_USB pins

**Table 25.2 DC Characteristics (2-c) [USB Transceiver-Related Pins\*1]**(Condition:  $T_a = -20$  to  $75^\circ\text{C}$ )

| Item                                    | Symbol       | Min | Typ | Max          | Unit          | Measurement Conditions             |
|---|--------------|-----|-----|--------------|---------------|------------------------------------|
| Power supply voltage*2                  | $V_{CC-USB}$ | 3.0 | 3.3 | 3.6          | V             |                                    |
| Differential input sensitivity          | $V_{DI}$     | 0.2 | —   | —            | V             | $ (DP)-(DM) $                      |
| Differential common mode range          | $V_{CM}$     | 0.8 | —   | 2.5          | V             |                                    |
| Single ended receiver threshold voltage | $V_{SE}$     | 0.8 | —   | 2.0          | V             |                                    |
| Output high voltage                     | $V_{OH}$     | 2.8 | —   | $V_{CC-USB}$ | V             |                                    |
| Output low voltage                      | $V_{OL}$     | —   | —   | 0.3          | V             |                                    |
| Tri-state leak current                  | $I_{LO}$     | -10 | —   | 10           | $\mu\text{A}$ | $0\text{V} < V_{IN} < 3.3\text{V}$ |

Notes: 1. D+ and D- pins

2.  $V_{CC-USB}$  must satisfy the condition:  $V_{CCQ} \leq V_{CC-USB}$ . Even when the USB is not used, power must be supplied between  $V_{CC-USB}$  and  $V_{SS-USB}$ .

**Table 25.3 Permitted Output Current Values**

(Conditions:  $V_{CCQ} = V_{CC-RTC} = V_{CC-USB} = 3.0$  to  $3.6$  V,  $V_{CC} = V_{CC-PLL1} = V_{CC-PLL2} = 1.4$  to  $1.6$  V,  $AV_{CC} = 3.0$  to  $3.6$  V,  $V_{SSQ} = V_{SS} = V_{SS-RTC} = V_{SS-USB} = V_{SS-PLL1} = V_{SS-PLL2} = AV_{SS} = 0$  V,  $T_a = -20$  to  $75^\circ\text{C}$ )

| Item  | Symbol           | Min | Typ | Max | Unit |
|---|------------------|-----|-----|-----|------|
| Output low-level permissible current (per pin)  | $I_{OL}$         | —   | —   | 2.0 | mA   |
| Output low-level permissible current (total)    | $\sum I_{OL}$    | —   | —   | 120 | mA   |
| Output high-level permissible current (per pin) | $-I_{OH}$        | —   | —   | 2.0 | mA   |
| Output high-level permissible current (total)   | $\sum (-I_{OH})$ | —   | —   | 40  | mA   |

Caution: To ensure LSI reliability, do not exceed the value for output current given in table 25.3.

## 25.3 AC Characteristics

In general, inputting for this LSI should be clock synchronous. Keep the setup and hold times for each input signal unless otherwise specified.

**Table 25.4 Maximum Operating Frequencies**

(Conditions:  $V_{CCQ} = V_{CC-RTC} = V_{CC-USB} = 3.0$  to  $3.6$  V,  $V_{CC} = V_{CC-PLL1} = V_{CC-PLL2} = 1.4$  to  $1.6$  V,  $AV_{CC} = 3.0$  to  $3.6$  V,  $V_{SSQ} = V_{SS} = V_{SS-RTC} = V_{SS-USB} = V_{SS-PLL1} = V_{SS-PLL2} = AV_{SS} = 0$  V,  $T_a = -20$  to  $75^\circ\text{C}$ )

| Item                |                               | Symbol | Min | Typ | Max    | Unit | Remarks         |
|---------------------|-------------------------------|--------|-----|-----|--------|------|-----------------|
| Operating frequency | CPU, cache ( $I\phi$ )        | f      | 20  | —   | 133.34 | MHz  | 133-MHz product |
|                     |                               |        |     |     | 100    |      | 100-MHz product |
|                     | External bus ( $B\phi$ )      |        | 20  | —   | 66.67  |      |                 |
|                     | Peripheral module ( $P\phi$ ) |        | 5   | —   | 33.34  |      |                 |

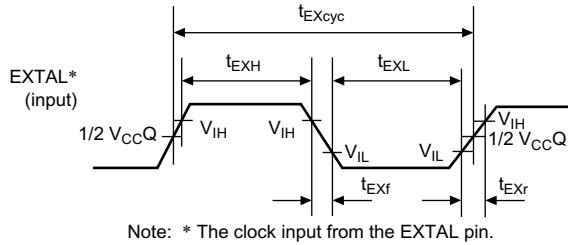
## 25.3.1 Clock Timing

**Table 25.5 Clock Timing**

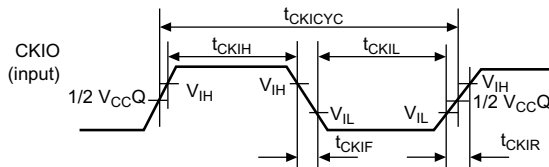
(Condition:  $V_{CCQ} = V_{CC-RTC} = V_{CC-USB} = 3.0$  to  $3.6$  V,  $V_{CC} = V_{CC-PLL1} = V_{CC-PLL2} = 1.4$  to  $1.6$  V,  $AV_{CC} = 3.0$  to  $3.6$  V,  $V_{SSQ} = V_{SS} = V_{SS-RTC} = V_{SS-USB} = V_{SS-PLL1} = V_{SS-PLL2} = AV_{SS} = 0$  V,  $T_a = -20$  to  $75^\circ\text{C}$ , Maximum External Bus Operating Frequency:  $66.67$  MHz)

| Item                                       | Symbol       | Min | Max   | Unit      | Figure     |
|--|--------------|-----|-------|-----------|------------|
| EXTAL clock input frequency                | $f_{EX}$     | 10  | 66.67 | MHz       | 25.2       |
| EXTAL clock input cycle time               | $t_{EXcyc}$  | 15  | 100   | ns        |            |
| EXTAL clock input low pulse width          | $t_{EXL}$    | 1.5 | —     | ns        |            |
| EXTAL clock input high pulse width         | $t_{EXH}$    | 1.5 | —     | ns        |            |
| EXTAL clock input rise time                | $t_{EXr}$    | —   | 6     | ns        |            |
| EXTAL clock input fall time                | $t_{EXf}$    | —   | 6     | ns        |            |
| CKIO clock input frequency                 | $f_{CKI}$    | 20  | 66.67 | MHz       | 25.3       |
| CKIO clock input cycle time                | $t_{CKICYC}$ | 15  | 50    | ns        |            |
| CKIO clock input low pulse width           | $t_{CKIL}$   | 3   | —     | ns        |            |
| CKIO clock input high pulse width          | $t_{CKIH}$   | 3   | —     | ns        |            |
| CKIO clock input rise time                 | $t_{CKIR}$   | —   | 4     | ns        |            |
| CKIO clock input fall time                 | $t_{CKIF}$   | —   | 4     | ns        |            |
| CKIO clock output frequency                | $f_{OP}$     | 20  | 66.67 | MHz       | 25.4       |
| CKIO clock output cycle time               | $t_{cyc}$    | 15  | 50    | ns        |            |
| CKIO clock output low pulse width          | $t_{CKOL}$   | 3   | —     | ns        |            |
| CKIO clock output high pulse width         | $t_{CKOH}$   | 3   | —     | ns        |            |
| CKIO clock output rise time                | $t_{CKOr}$   | —   | 5     | ns        |            |
| CKIO clock output fall time                | $t_{CKOf}$   | —   | 5     | ns        |            |
| Power-on oscillation settling time         | $t_{OSC1}$   | 10  | —     | ms        | 25.5       |
| $\overline{\text{RESETP}}$ setup time      | $t_{RESPS}$  | 20  | —     | ns        | 25.5       |
| $\overline{\text{RESETP}}$ assert time     | $t_{RESPW}$  | 20  | —     | $t_{cyc}$ | 25.5, 25.6 |
| $\overline{\text{RESETM}}$ assert time     | $t_{RESMW}$  | 20  | —     | $t_{cyc}$ | 25.6       |
| Standby return oscillation settling time 1 | $t_{OSC2}$   | 10  | —     | ms        | 25.6       |
| Standby return oscillation settling time 2 | $t_{OSC3}$   | 10  | —     | ms        | 25.7       |
| Standby return oscillation settling time 3 | $t_{OSC4}$   | 11  | —     | ms        | 25.8       |

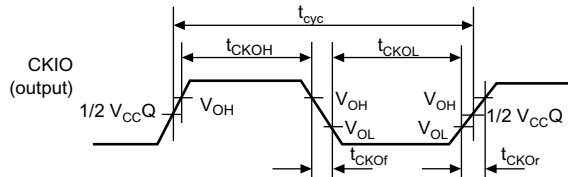
| Item  | Symbol       | Min | Max | Unit          | Figure      |
|---|--------------|-----|-----|---------------|-------------|
| PLL synchronization settling time 1                         | $t_{PLL1}$   | 100 | —   | $\mu\text{s}$ | 25.9, 25.10 |
| PLL synchronization settling time 2                         | $t_{PLL2}$   | 100 | —   | $\mu\text{s}$ | 25.11       |
| Interrupt determination time<br>(RTC used and standby mode) | $t_{IRLSTB}$ | 100 | —   | $\mu\text{s}$ | 25.10       |



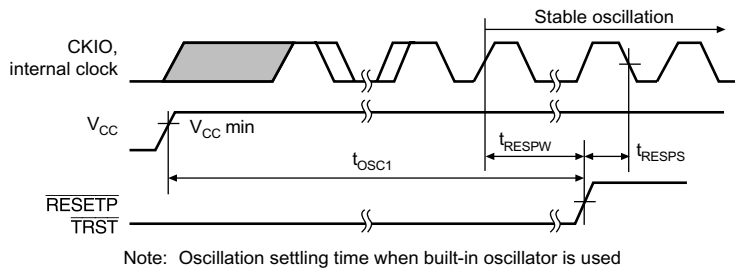
**Figure 25.2 EXTAL Clock Input Timing**



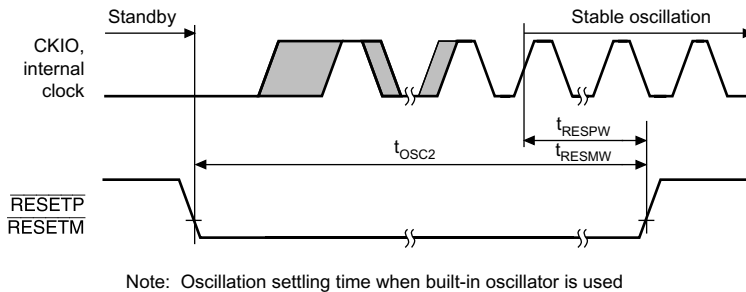
**Figure 25.3 CKIO Clock Input Timing**



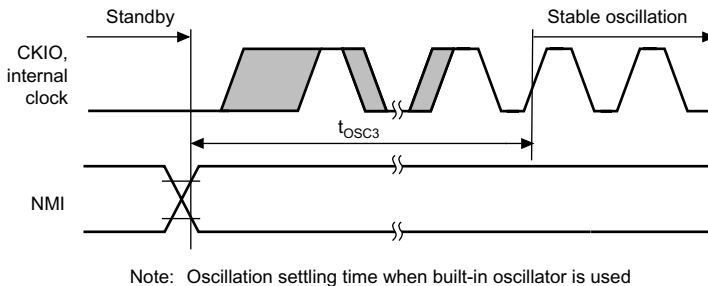
**Figure 25.4 CKIO Clock Output Timing**



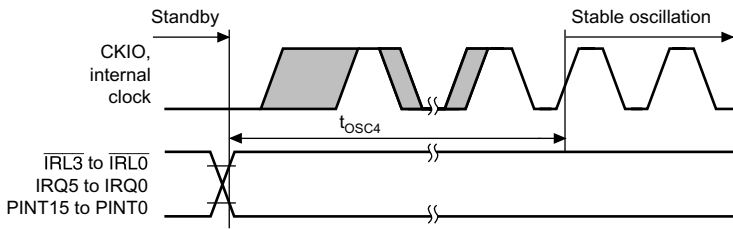
**Figure 25.5 Power-On Oscillation Settling Time**



**Figure 25.6 Oscillation Settling Time at Standby Return (Return by Reset)**

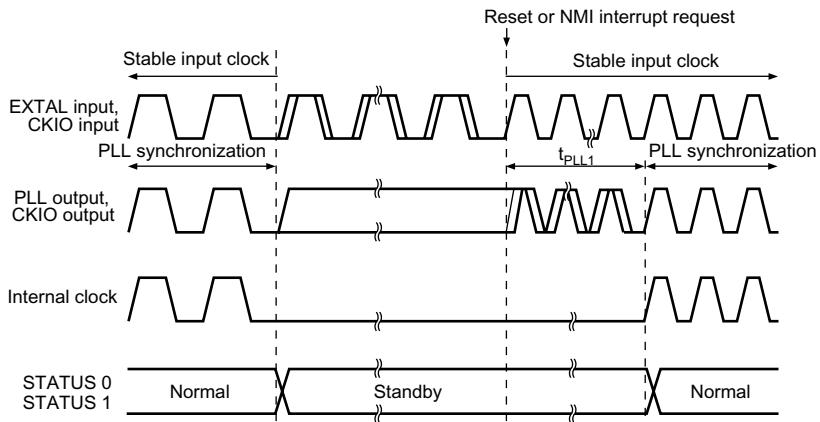


**Figure 25.7 Oscillation Settling Time at Standby Return (Return by NMI)**



Note: Oscillation settling time when built-in oscillator is used in oscillation stop mode

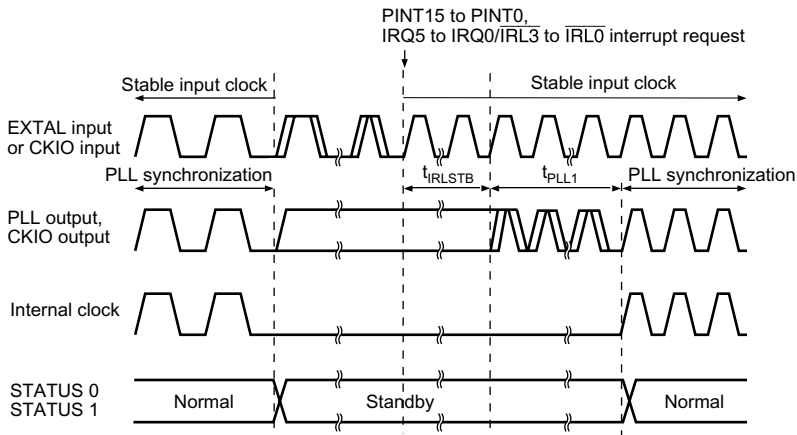
**Figure 25.8 Oscillation Settling Time at Standby Return  
(Return by IRQ5 to IRQ0, PINT15 to PINT0, and IRL3 to IRL0)**



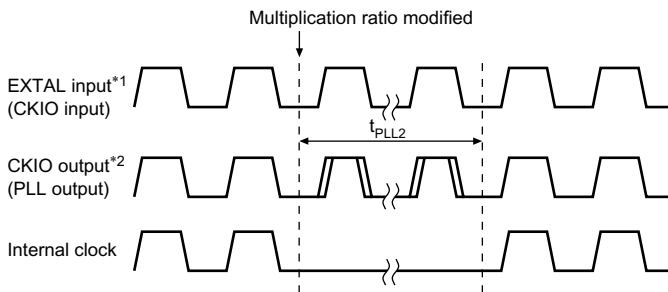
Note: PLL oscillation settling time when clock is input from EXTAL pin

**Figure 25.9 PLL Synchronization Settling Time by Reset or NMI**





**Figure 25.10 PLL Synchronization Settling Time by IRQ/IRL, PINT Interrupts**



- Notes: 1. CKIO input in clock mode 7  
2. PLL output except in clock mode 7

**Figure 25.11 PLL Synchronization Settling Time when Frequency Multiplication Ratio Modified**

## 25.3.2 Control Signal Timing

**Table 25.6 Control Signal Timing**

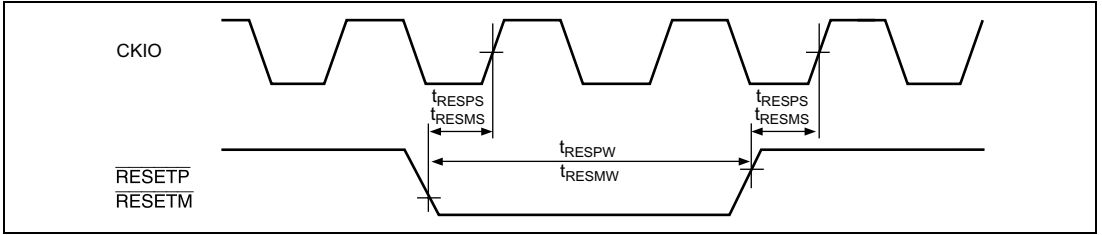
(Conditions:  $V_{CCQ} = V_{CC-RTC} = V_{CC-USB} = 3.0$  to  $3.6$  V,  $V_{CC} = V_{CC-PLL1} = V_{CC-PLL2} = 1.4$  to  $1.6$  V,  $AV_{CC} = 3.0$  to  $3.6$  V,  $V_{SSQ} = V_{SS} = V_{SS-RTC} = V_{SS-USB} = V_{SS-PLL1} = V_{SS-PLL2} = AV_{SS} = 0$  V,  $T_a = -20$  to  $75^\circ\text{C}$ , Clock mode 0/1/2/4/5/6/7)

**66.67 MHz\*2**

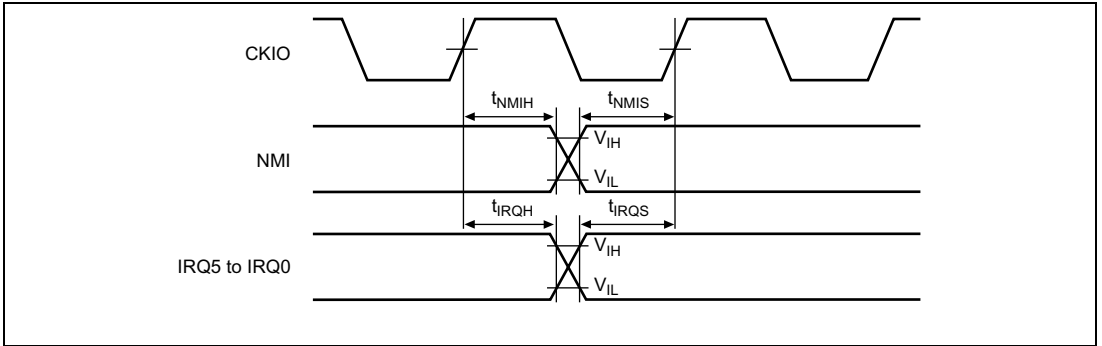
| Item                                    | Symbol              | Min                       | Max                       | Unit             | Figure |
|---|---------------------|---------------------------|---------------------------|------------------|--------|
| $\overline{\text{RESETP}}$ pulse width  | $t_{\text{RESPW}}$  | 20*3                      | —                         | $t_{\text{cyc}}$ | 25.12  |
| $\overline{\text{RESETP}}$ setup time*1 | $t_{\text{RESPTS}}$ | 20                        | —                         | ns               |        |
| $\overline{\text{RESETM}}$ pulse width  | $t_{\text{RESMW}}$  | 20*4                      | —                         | $t_{\text{cyc}}$ |        |
| $\overline{\text{RESETM}}$ setup time   | $t_{\text{RESMS}}$  | 10                        | —                         | ns               |        |
| $\overline{\text{BREQ}}$ setup time     | $t_{\text{BREQS}}$  | $1/2 t_{\text{cyc}} + 10$ | —                         | ns               | 25.14  |
| $\overline{\text{BREQ}}$ hold time      | $t_{\text{BREQH}}$  | $1/2 t_{\text{cyc}} + 3$  | —                         | ns               |        |
| NMI setup time*1                        | $t_{\text{NMIS}}$   | 10                        | —                         | ns               | 25.13  |
| NMI hold time                           | $t_{\text{NMIH}}$   | 3                         | —                         | ns               |        |
| IRQ5 to IRQ0 setup time*1               | $t_{\text{IRQS}}$   | 10                        | —                         | ns               |        |
| IRQ5 to IRQ0 hold time                  | $t_{\text{IRQH}}$   | 3                         | —                         | ns               |        |
| $\overline{\text{BACK}}$ delay time     | $t_{\text{BACKD}}$  | —                         | $1/2 t_{\text{cyc}} + 13$ | ns               | 25.14  |
| STATUS1, STATUS0 delay time             | $t_{\text{STD}}$    | —                         | 18                        | ns               | 25.15  |
| Bus tri-state delay time 1              | $t_{\text{BOFF1}}$  | 0                         | 30                        | ns               | 25.14, |
| Bus tri-state delay time 2              | $t_{\text{BOFF2}}$  | 0                         | 30                        | ns               | 25.15  |
| Bus buffer-on time 1                    | $t_{\text{BON1}}$   | 0                         | 30                        | ns               |        |
| Bus buffer-on time 2                    | $t_{\text{BON2}}$   | 0                         | 30                        | ns               |        |

Notes:  $t_{\text{cyc}}$  is the external bus clock cycle (B clock cycle).

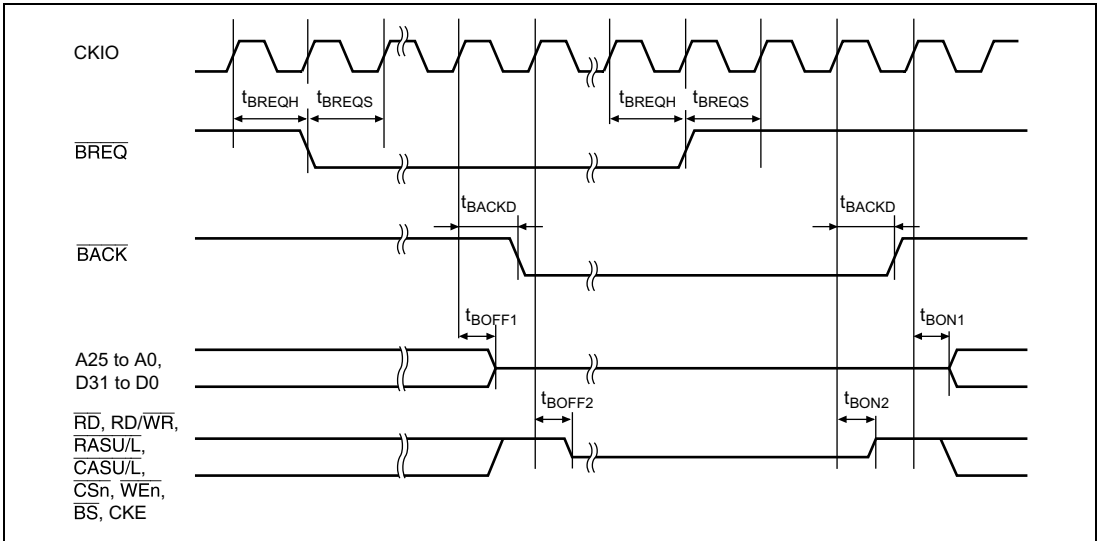
1.  $\overline{\text{RESETP}}$ ,  $\overline{\text{RESETM}}$ , NMI, and IRQ5 to IRQ0 are asynchronous. Changes are detected at the clock rise when the setup shown is kept. When the setup cannot be kept, detection can be delayed until the next clock rises.
2. The upper limit of the external bus clock is 66.67 MHz.
3. In standby mode,  $t_{\text{RESPW}} = t_{\text{OSC2}}$  (10 ms). When the crystal oscillation continues or the clock multiplication ratio is changed in standby mode,  $t_{\text{RESPW}} = t_{\text{PLL1}}$  (100  $\mu\text{s}$ ).
4. In standby mode,  $t_{\text{RESMW}} = t_{\text{OSC2}}$  (10 ms). When the crystal oscillation continues or the clock multiplication ratio is changed in standby mode,  $\overline{\text{RESETM}}$  must be kept low until STATUS (0-1) changes to reset (HH).



**Figure 25.12 Reset Input Timing**



**Figure 25.13 Interrupt Signal Input Timing**



**Figure 25.14 Bus Release Timing**

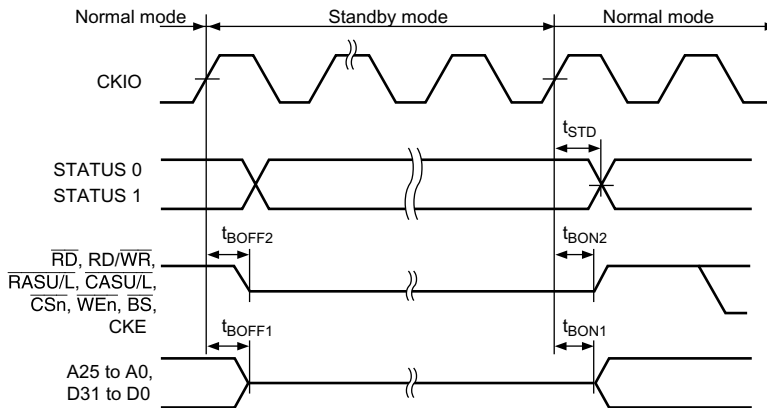


Figure 25.15 Pin Drive Timing at Standby

### 25.3.3 AC Bus Timing

Table 25.7 Bus Timing (1)

(Conditions:  $V_{CCQ} = V_{CC-RTC} = V_{CC-USB} = 3.0$  to  $3.6$  V,  $V_{CC} = V_{CC-PLL1} = V_{CC-PLL2} = 1.4$  to  $1.6$  V,  $AV_{CC} = 3.0$  to  $3.6$  V,  $V_{SSQ} = V_{SS} = V_{SS-RTC} = V_{SS-USB} = V_{SS-PLL1} = V_{SS-PLL2} = AV_{SS} = 0$  V,  $T_a = -20$  to  $75^\circ\text{C}$ , Clock mode 0/1/2/4/5/6/7)

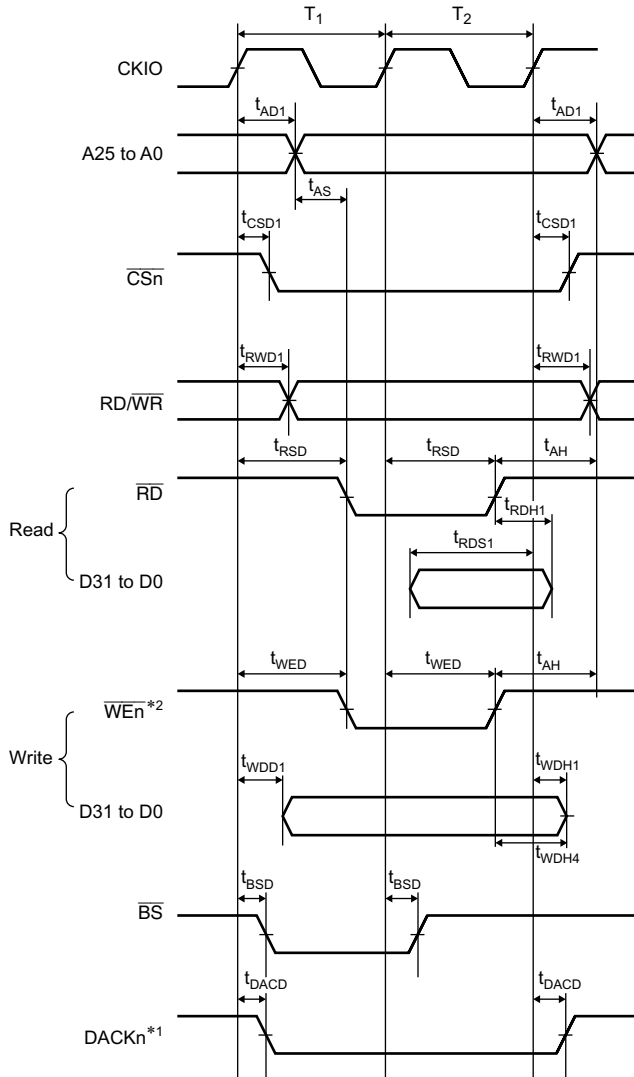
66.67 MHz

| Item                         | Symbol     | Min               | Max                | Unit | Figure                         |
|------------------------------|------------|-------------------|--------------------|------|--------------------------------|
| Address delay time 1         | $t_{AD1}$  | 1                 | 12                 | ns   | 25.16 to 25.38                 |
| Address delay time 2         | $t_{AD2}$  | —                 | $1/2 t_{cyc} + 12$ | ns   | 25.21                          |
| Address setup time           | $t_{AS}$   | 0                 | —                  | ns   | 25.16 to 25.19                 |
| Address hold time            | $t_{AH}$   | 0                 | —                  | ns   | 25.16 to 25.19                 |
| $\overline{BS}$ delay time   | $t_{BSD}$  | —                 | 10                 | ns   | 25.16 to 25.35                 |
| $\overline{CS}$ delay time 1 | $t_{CSD1}$ | 1                 | 10                 | ns   | 25.16 to 25.38                 |
| Read/write delay time 1      | $t_{RWD1}$ | 1                 | 10                 | ns   | 25.16 to 25.38                 |
| Read strobe delay time       | $t_{RSD}$  | —                 | $1/2 t_{cyc} + 10$ | ns   | 25.16 to 25.21                 |
| Read data setup time 1       | $t_{RDS1}$ | $1/2 t_{cyc} + 6$ | —                  | ns   | 25.16 to 25.20                 |
| Read data setup time 2       | $t_{RDS2}$ | 6                 | —                  | ns   | 25.22 to 25.25, 25.30 to 25.32 |
| Read data setup time 3       | $t_{RDS3}$ | $1/2 t_{cyc} + 6$ | —                  | ns   | 25.21                          |
| Read data hold time 1        | $t_{RDH1}$ | 0                 | —                  | ns   | 25.16 to 25.20                 |
| Read data hold time 2        | $t_{RDH2}$ | 2                 | —                  | ns   | 25.22 to 25.25, 25.30 to 25.32 |
| Read data hold time 3        | $t_{RDH3}$ | 0                 | —                  | ns   | 25.21                          |

## 66.67 MHz

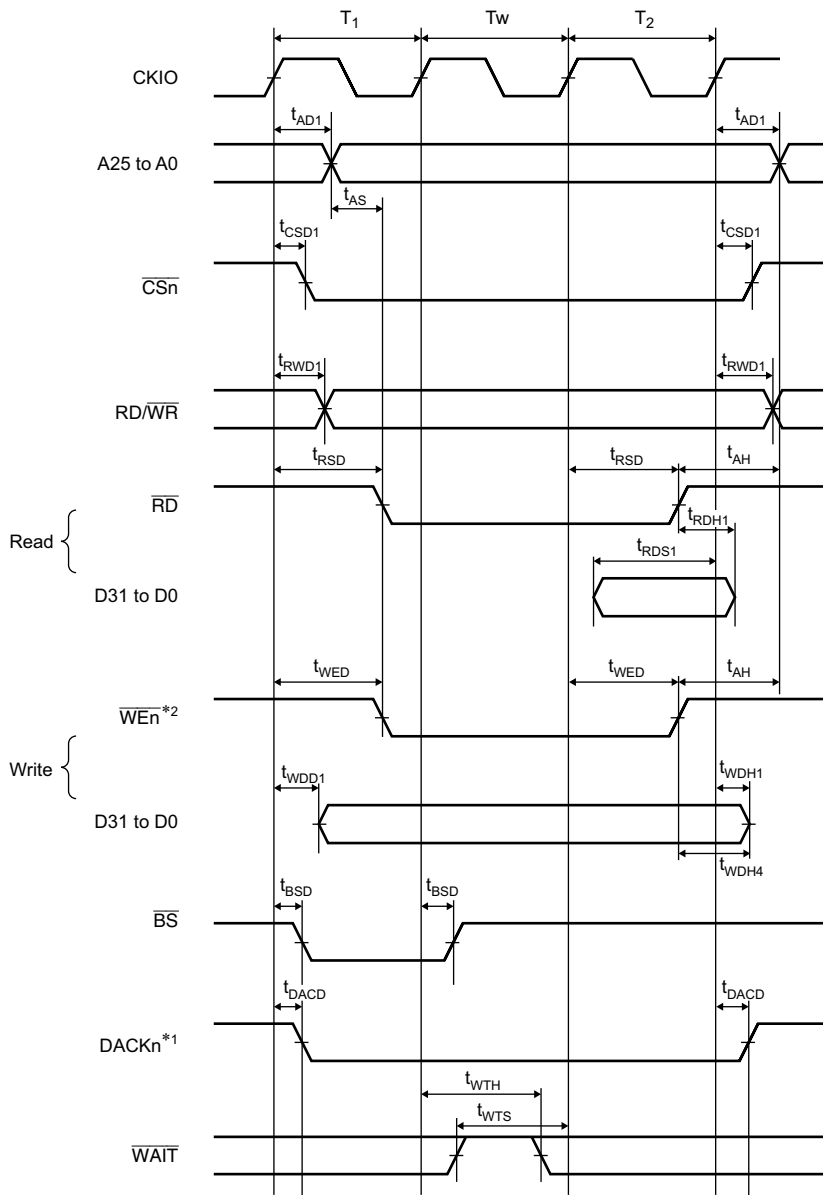
| Item                          | Symbol      | Min             | Max              | Unit | Figure                         |
|-------------------------------|-------------|-----------------|------------------|------|--------------------------------|
| Write enable delay time       | $t_{WED}$   | —               | $1/2 t_{cyc}+10$ | ns   | 25.16 to 25.21                 |
| Write data delay time 1       | $t_{WDD1}$  | —               | 12               | ns   | 25.16 to 25.20                 |
| Write data delay time 2       | $t_{WDD2}$  | —               | 12               | ns   | 25.26 to 25.29, 25.33 to 25.35 |
| Write data hold time 1        | $t_{WDH1}$  | 1               | —                | ns   | 25.16 to 25.20                 |
| Write data hold time 2        | $t_{WDH2}$  | 1               | —                | ns   | 25.26 to 25.29, 25.33 to 25.35 |
| Write data hold time 4        | $t_{WDH4}$  | 0               | —                | ns   | 25.16 to 25.19                 |
| $\overline{WAIT}$ setup time  | $t_{WTS}$   | $1/2 t_{cyc}+6$ | —                | ns   | 25.17 to 25.21                 |
| $\overline{WAIT}$ hold time   | $t_{WTH}$   | $1/2 t_{cyc}+2$ | —                | ns   | 25.17 to 25.21                 |
| $\overline{RAS}$ delay time 1 | $t_{RASD1}$ | 1               | 10               | ns   | 25.22 to 25.38                 |
| CAS delay time 1              | $t_{CASD1}$ | 1               | 10               | ns   | 25.22 to 25.38                 |
| DQM delay time 1              | $t_{DQMD1}$ | 1               | 10               | ns   | 25.22 to 25.35                 |
| CKE delay time 1              | $t_{CKED1}$ | 1               | 10               | ns   | 25.37                          |
| $\overline{AH}$ delay time    | $t_{AHD}$   | $1/2 t_{cyc}$   | $1/2 t_{cyc}+10$ | ns   | 25.20                          |
| Multiplex address delay time  | $t_{MAD}$   | —               | 12               | ns   | 25.20                          |
| Multiplex address hold time   | $t_{MAH}$   | 0               | —                | ns   | 25.20                          |
| DACK delay time               | $t_{DACD}$  | —               | 10               | ns   | 25.16 to 25.35                 |

### 25.3.4 Basic Timing



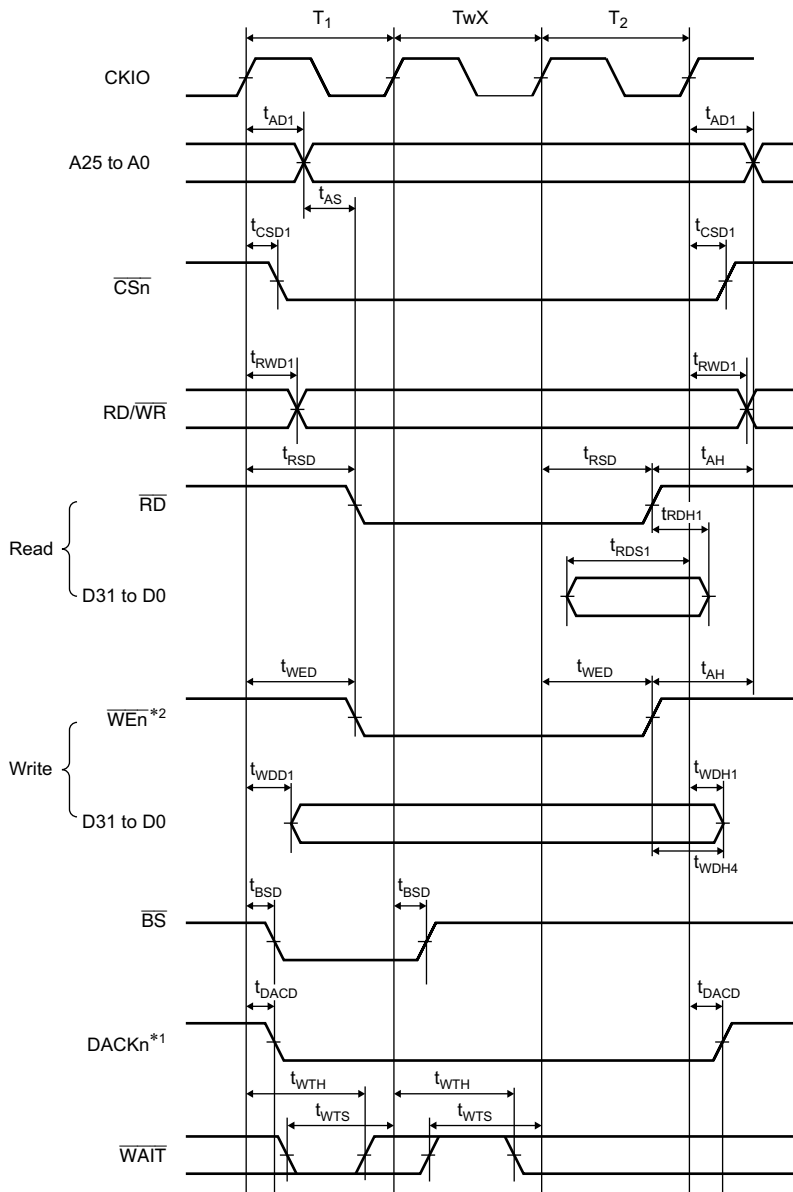
Notes: 1.  $\overline{DACKn}$  is a waveform when active-low is specified.  
 2. Output timing is the same when reading byte-selection SRAM.

**Figure 25.16 Basic Bus Cycle (No Wait)**



- Notes: 1. DACKn is a waveform when active-low is specified.  
 2. Output timing is the same when reading byte-selection SRAM.

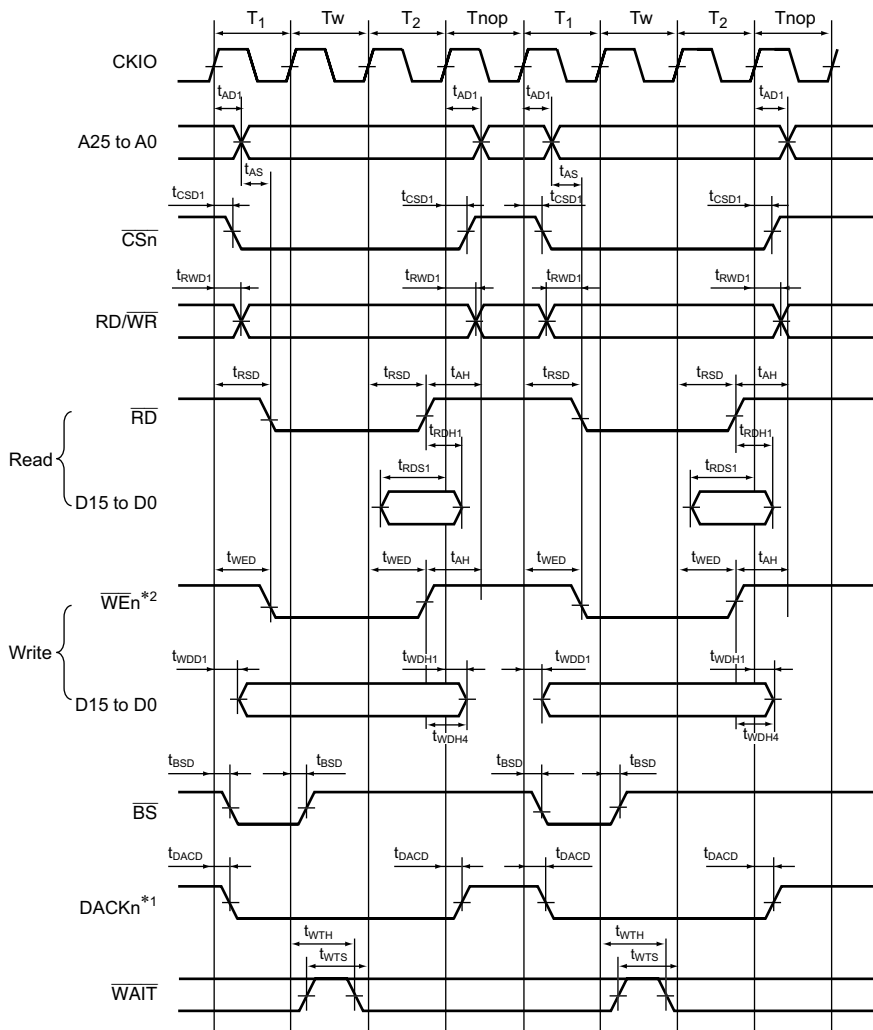
**Figure 25.17 Basic Bus Cycle (One Software Wait)**



- Notes: 1. DACKn is a waveform when active-low is specified.  
 2. Output timing is the same when reading byte-selection SRAM.

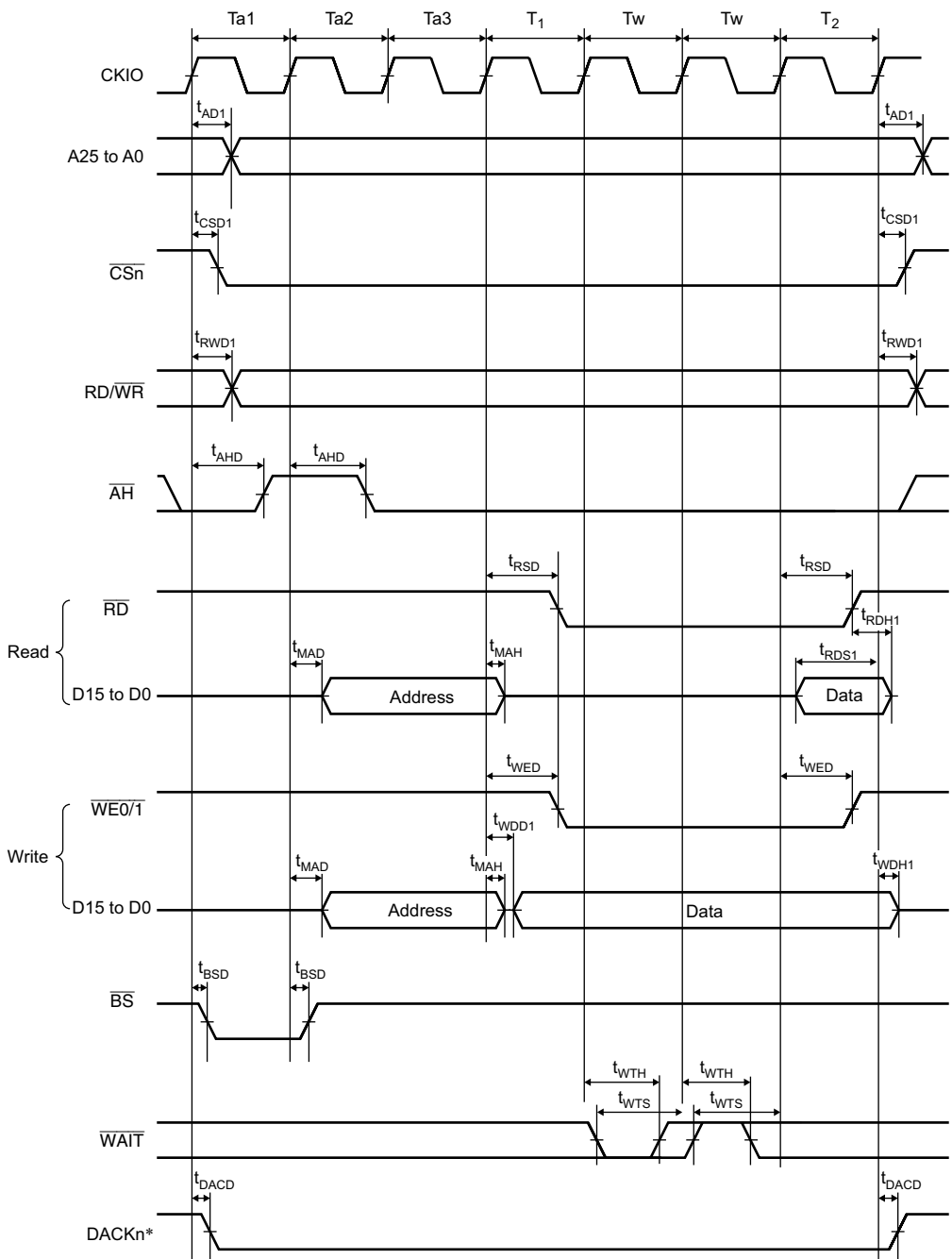
**Figure 25.18 Basic Bus Cycle (One External Wait)**





- Notes: 1. DACKn is a waveform when active-low is specified.  
 2. Output timing is the same when reading byte-selection SRAM.

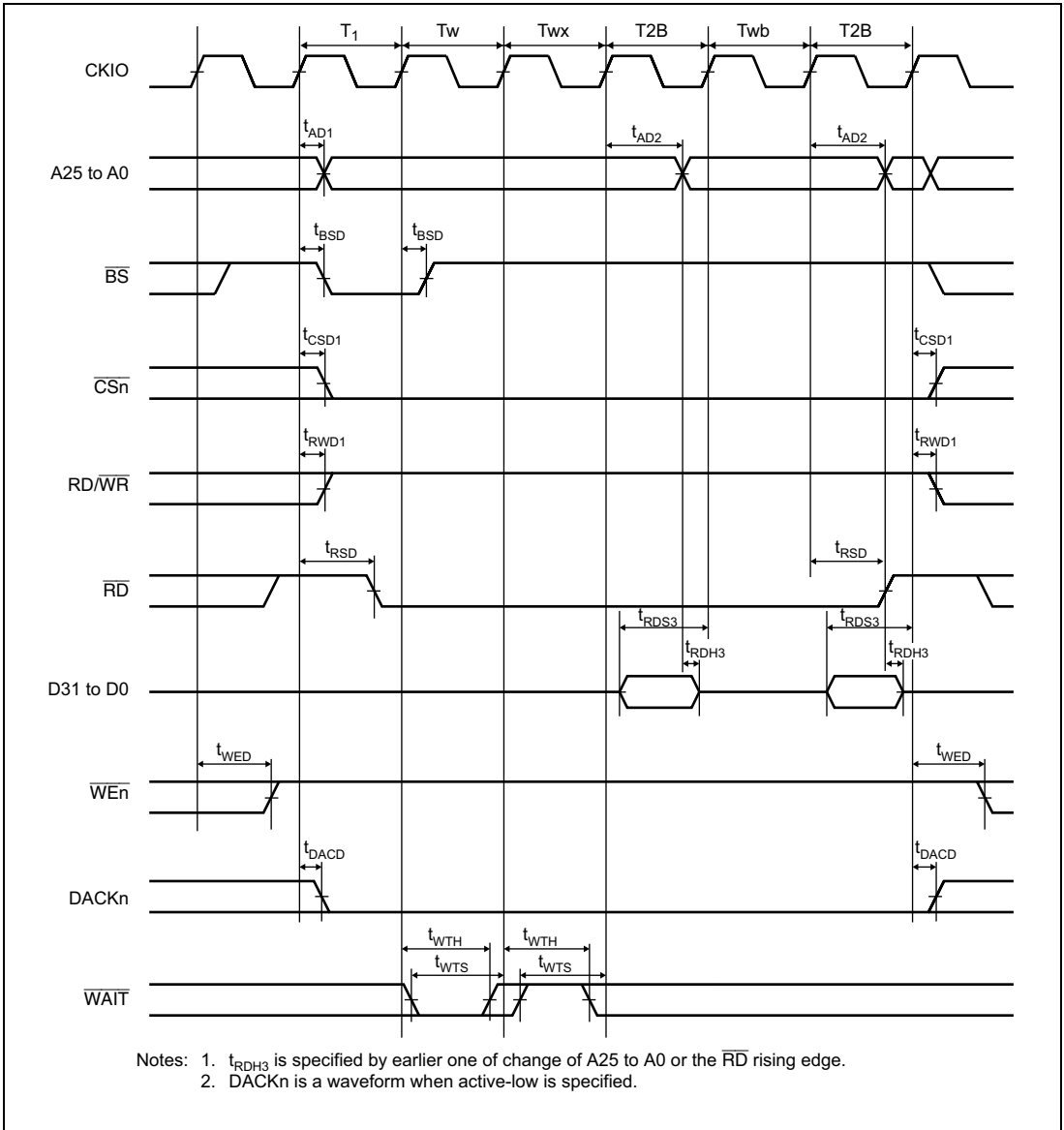
**Figure 25.19 Basic Bus Cycle (One Software Wait, External Wait Enabled (WM Bit = 0), No Idle Cycle Setting)**



Note: \* DACKn is a waveform when active-low is specified.

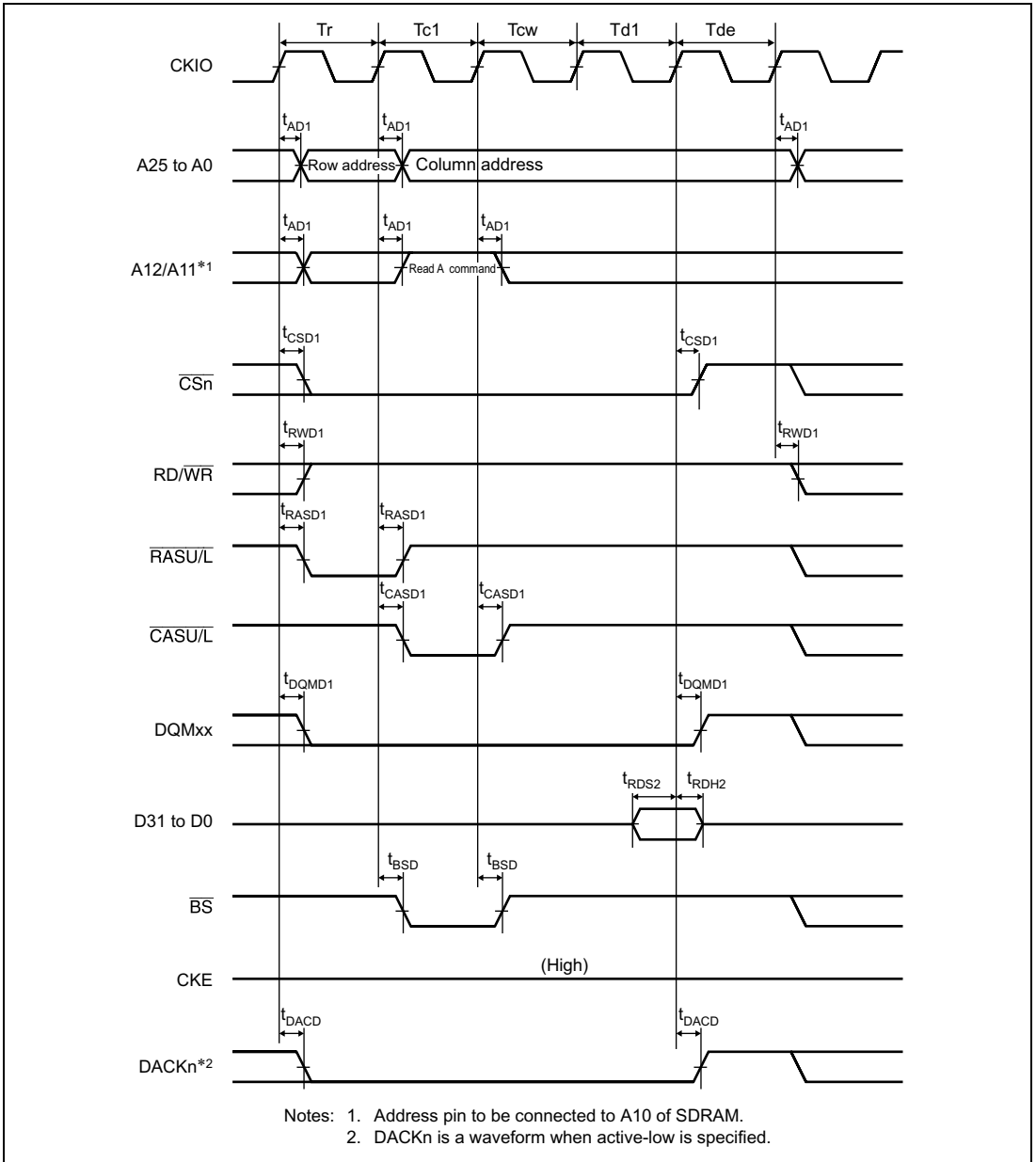
**Figure 25.20 Address/Data Multiplex I/O Bus Cycle  
(Three Address Cycles, One Software Wait, One External Wait)**

## 25.3.5 Burst ROM Timing

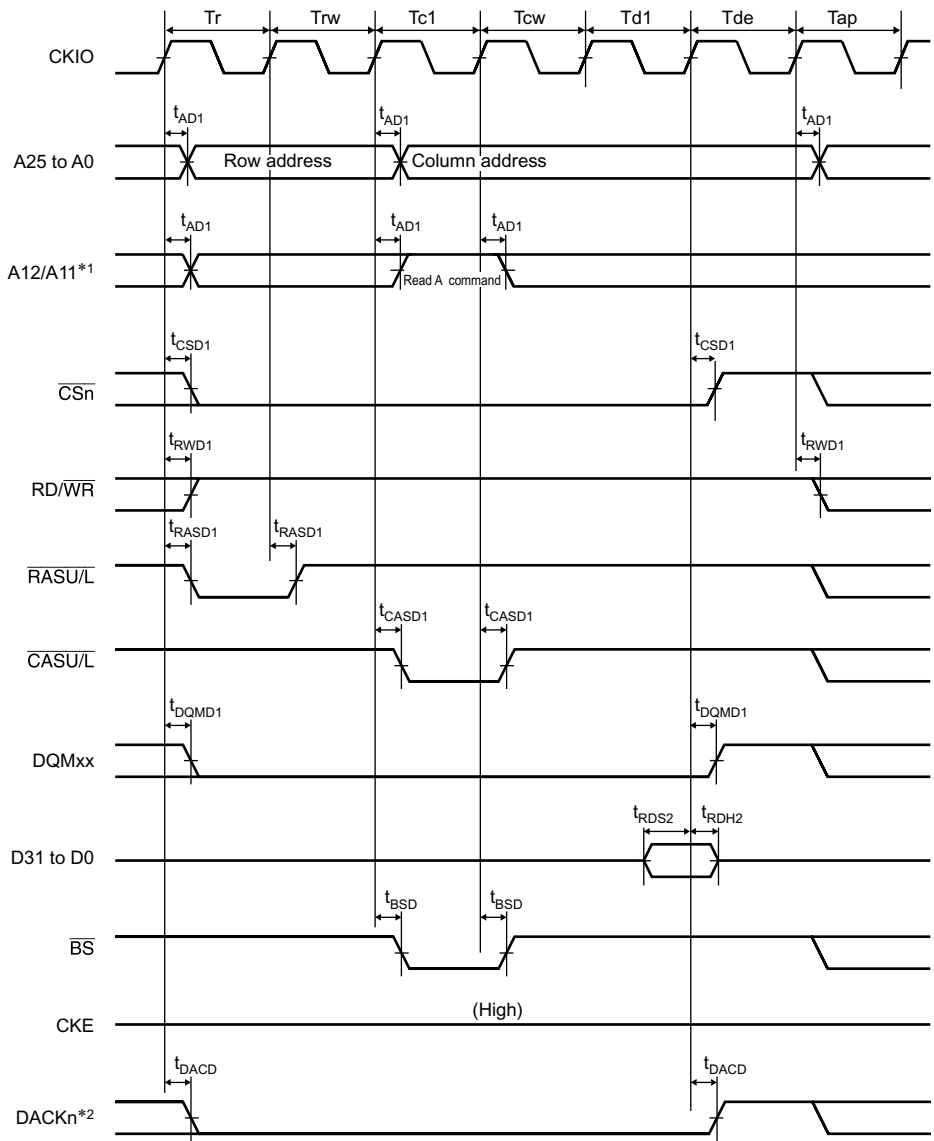


**Figure 25.21 Burst ROM Read Cycle (One Access Wait, One External Wait, One Burst Wait, Two Bursts)**

## 25.3.6 Synchronous DRAM Timing

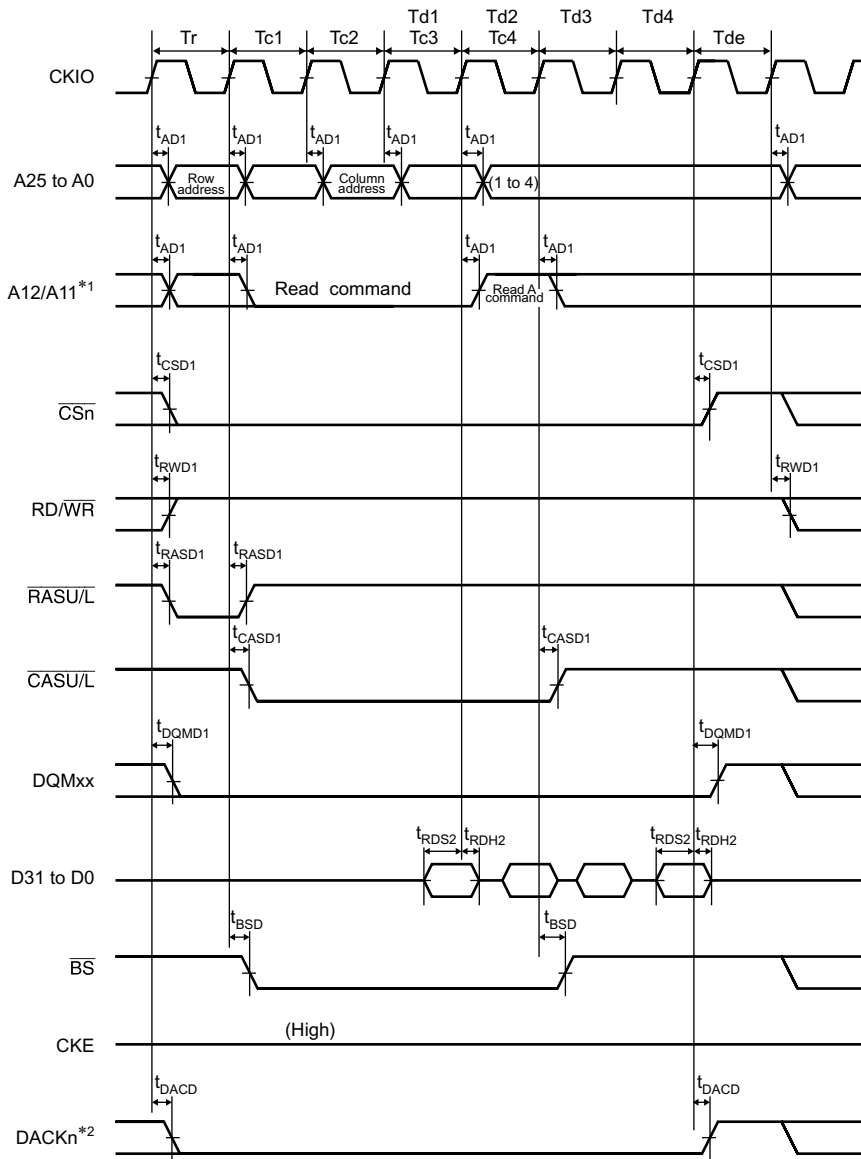


**Figure 25.22 Synchronous DRAM Single Read Bus Cycle  
 (Auto Precharge, CAS Latency = 2, TRCD = 1 Cycle, TRP = 1 Cycle)**



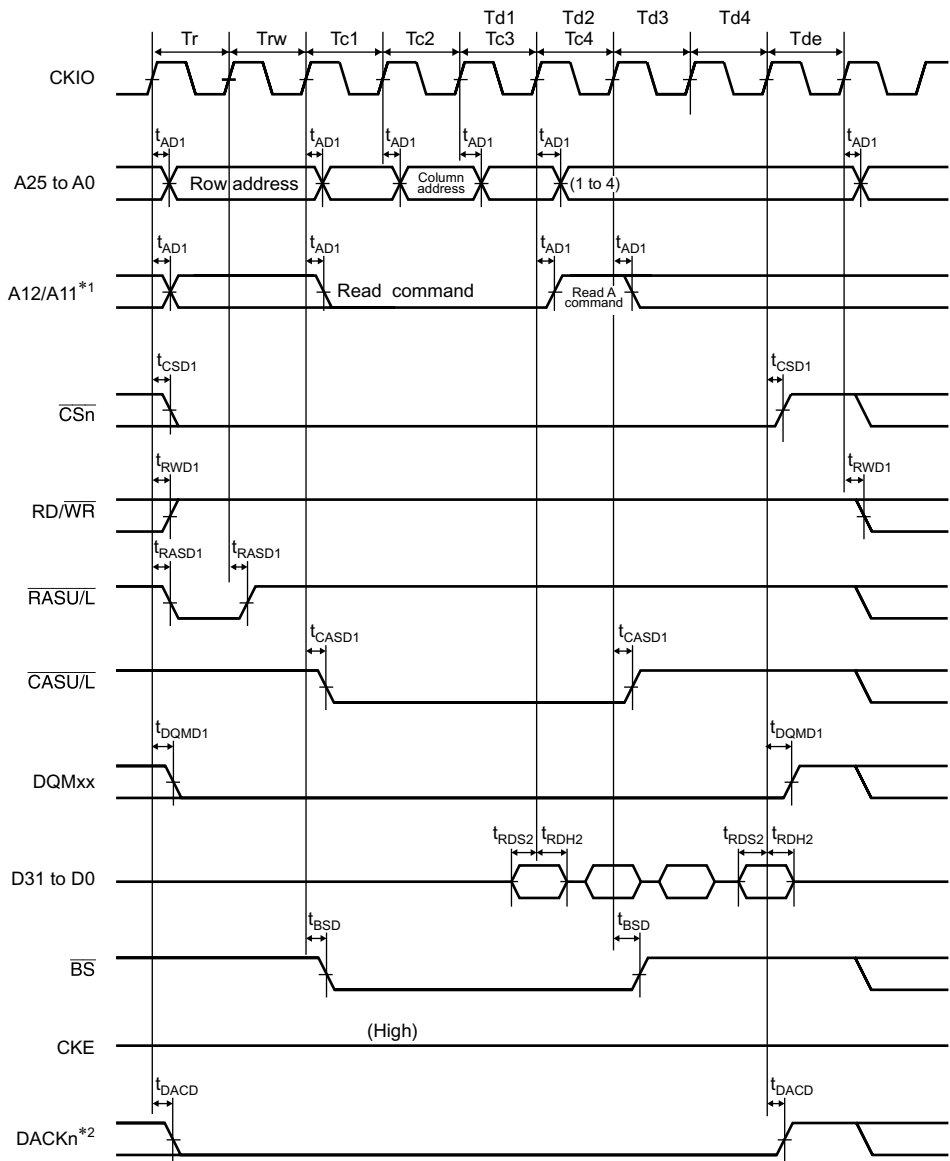
- Notes: 1. Address pin to be connected to A10 of SDRAM.  
 2. DACKn is a waveform when active-low is specified.

**Figure 25.23 Synchronous DRAM Single Read Bus Cycle  
 (Auto Precharge, CAS Latency = 2, TRCD = 2 Cycle, TRP = 2 Cycle)**



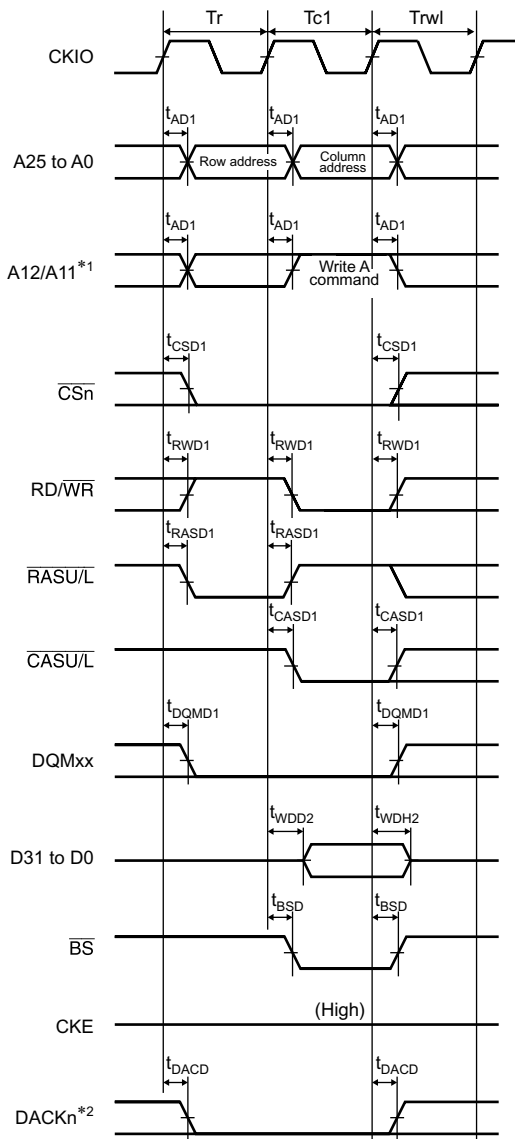
Notes: 1. Address pin to be connected to A10 of SDRAM.  
 2. DACKn is a waveform when active-low is specified.

**Figure 25.24 Synchronous DRAM Burst Read Bus Cycle (Single Read × 4),  
 (Auto Precharge, CAS Latency = 2, TRCD = 1 Cycle, TRP = 2 Cycle)**



- Notes: 1. Address pin to be connected to A10 of SDRAM.  
2. DACKn is a waveform when active-low is specified.

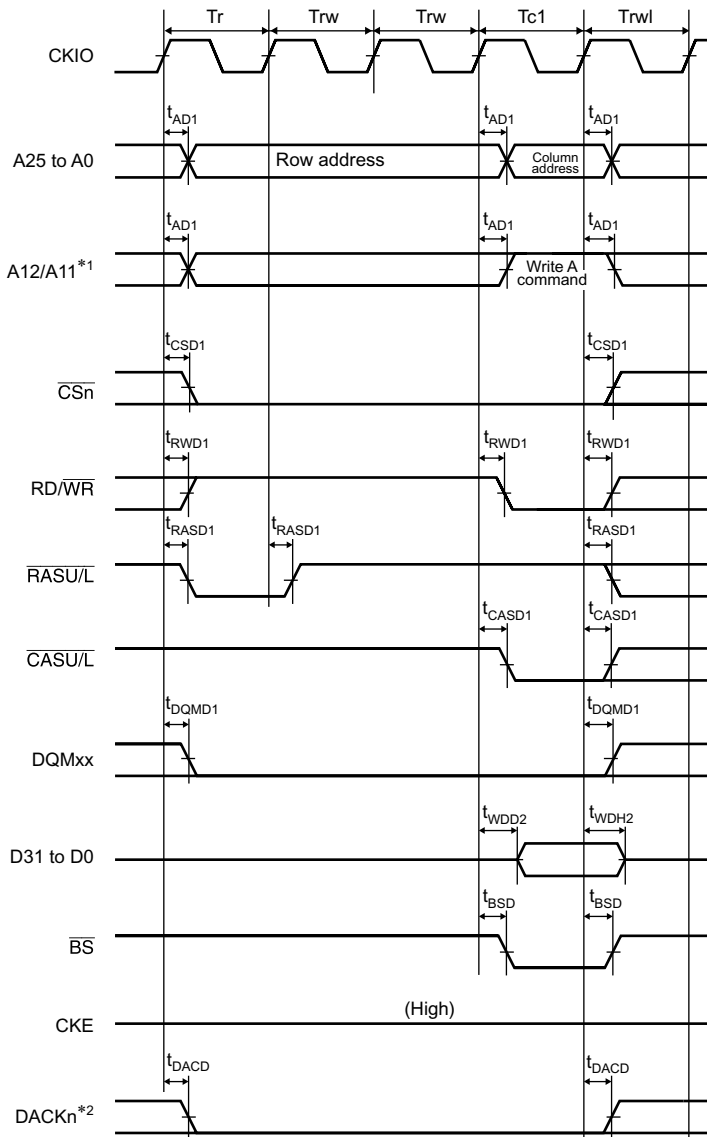
**Figure 25.25 Synchronous DRAM Burst Read Bus Cycle (Single Read × 4), (Auto Precharge, CAS Latency = 2, TRCD = 2 Cycle, TRP = 1 Cycle)**



- Notes: 1. Address pin to be connected to A10 of SDRAM.  
2. DACKn is a waveform when active-low is specified.

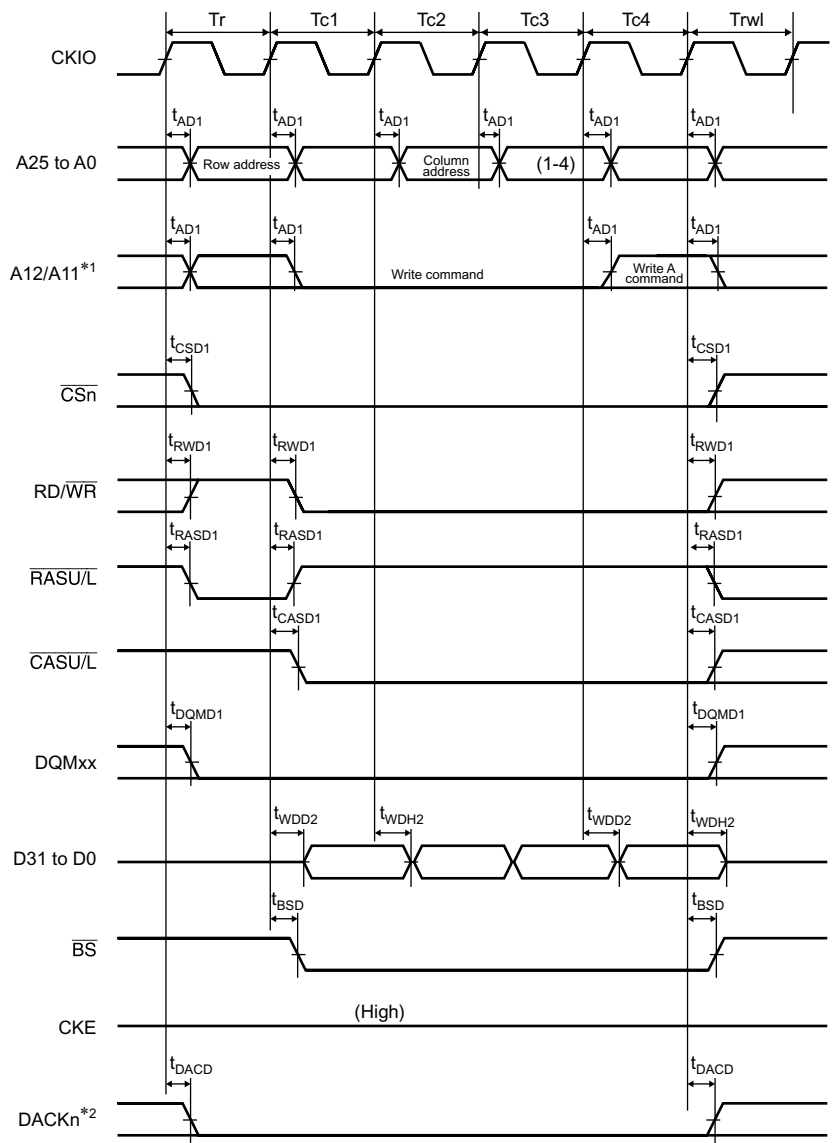
**Figure 25.26 Synchronous DRAM Single Write Bus Cycle (Auto Precharge, TRWL = 2 Cycle)**





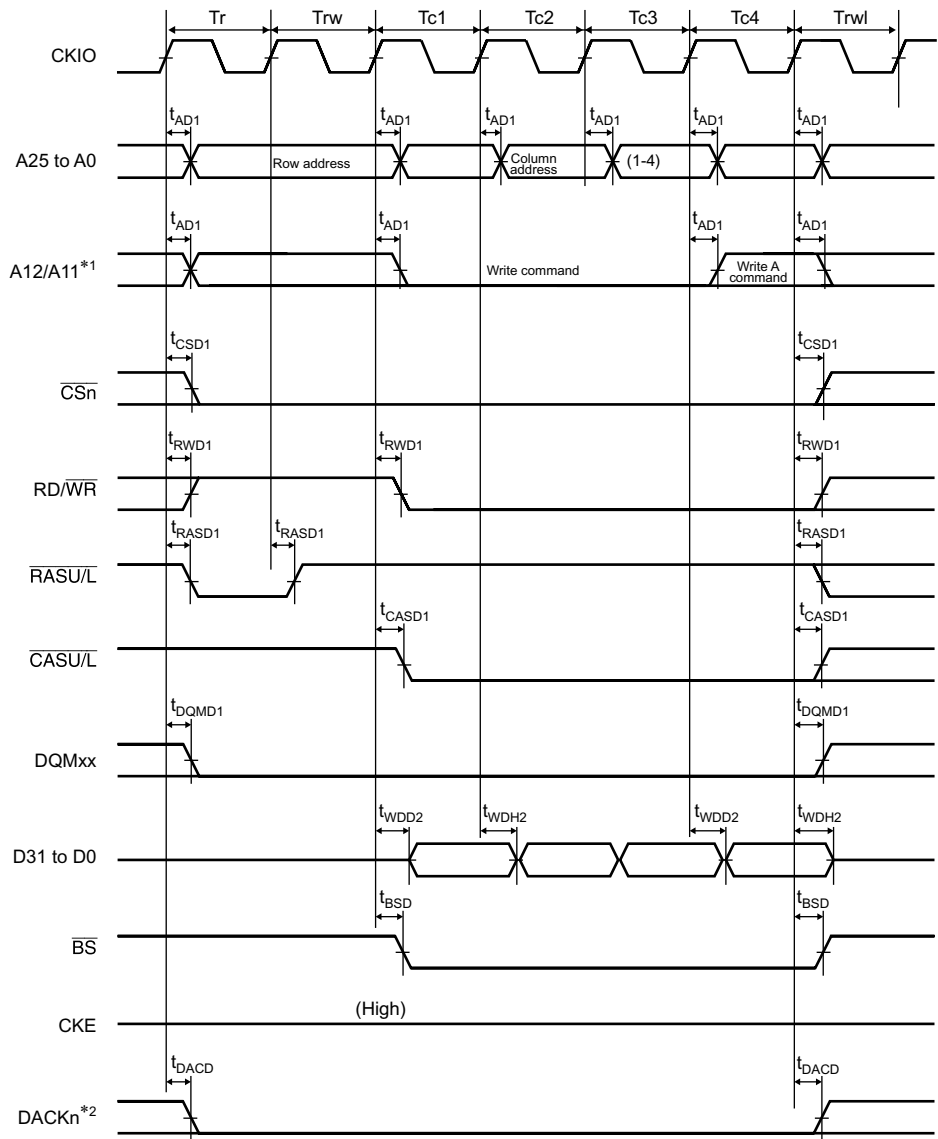
Notes: 1. Address pin to be connected to A10 of SDRAM.  
 2. DACKn is a waveform when active-low is specified.

**Figure 25.27 Synchronous DRAM Single Write Bus Cycle  
 (Auto Precharge, TRCD = 3 Cycle, TRWL = 2 Cycle)**



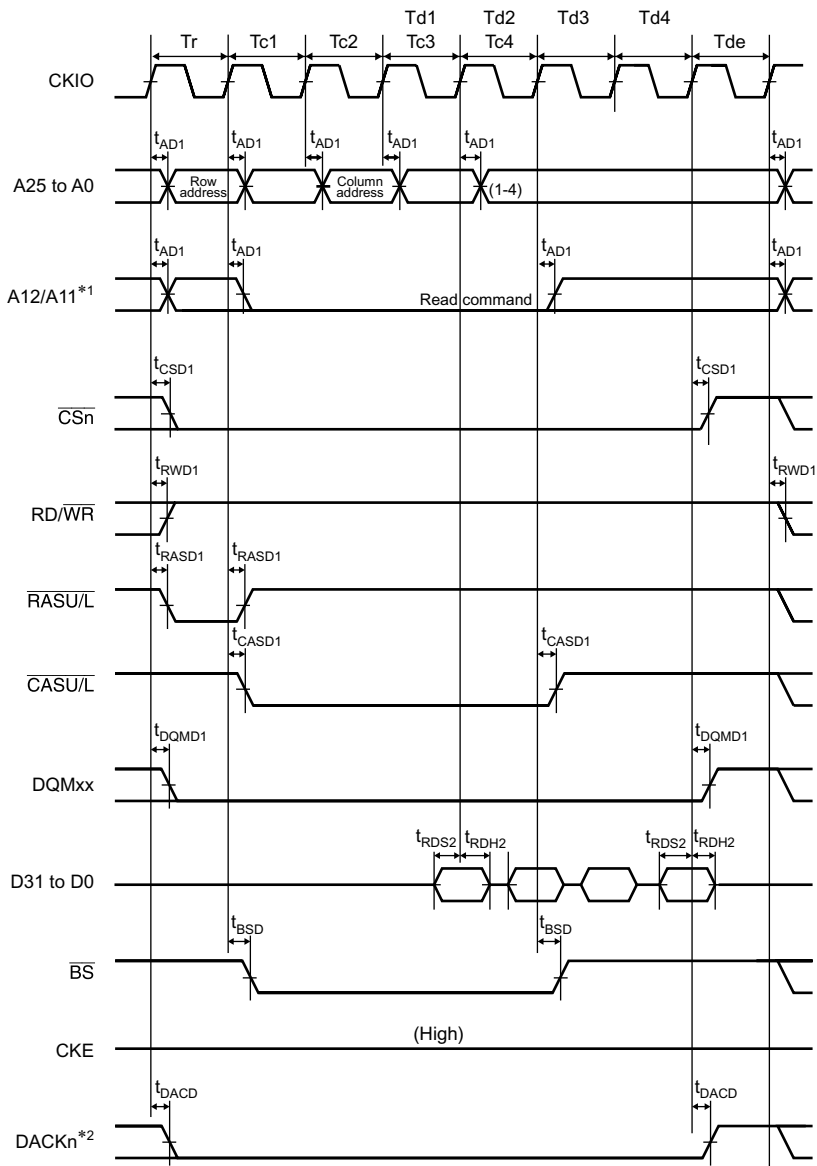
Notes: 1. Address pin to be connected to A10 of SDRAM.  
 2. DACKn is a waveform when active-low is specified.

**Figure 25.28 Synchronous DRAM Burst Write Bus Cycle (Single Write × 4), (Auto Precharge, TRCD = 1 Cycle, TRWL = 2 Cycle)**



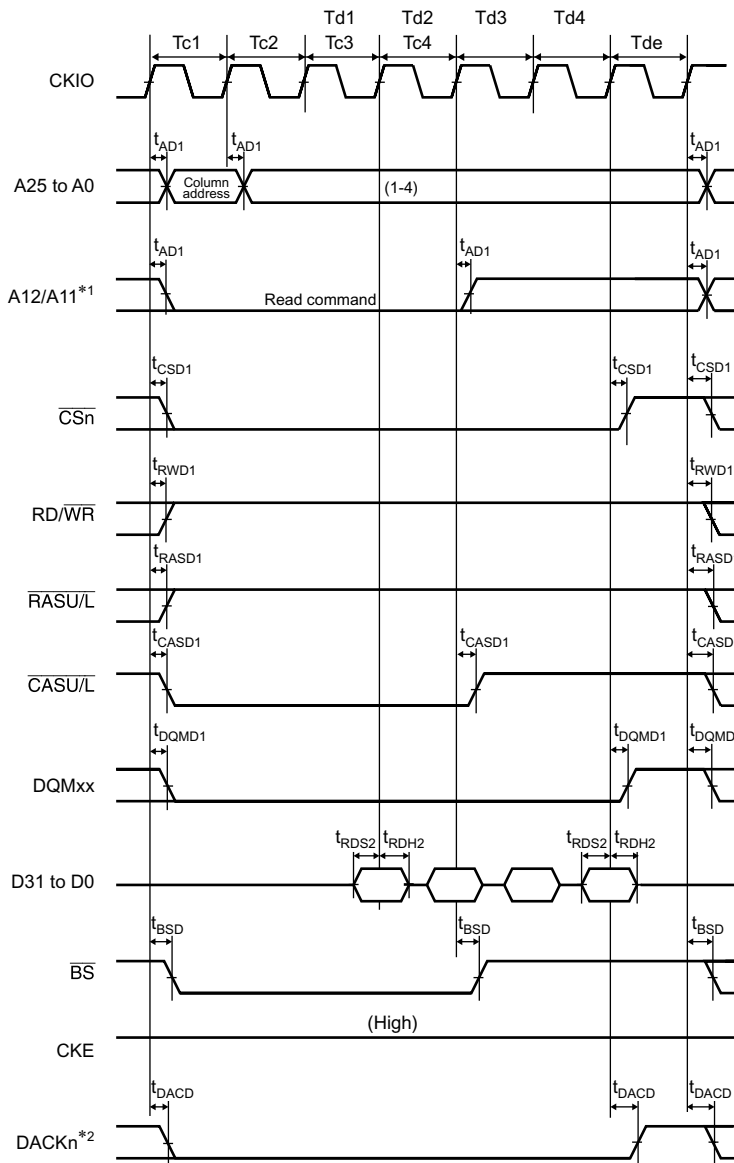
- Notes: 1. Address pin to be connected to A10 of SDRAM.  
2. DACKn is a waveform when active-low is specified.

**Figure 25.29 Synchronous DRAM Burst Write Bus Cycle (Single Write × 4), (Auto Precharge, TRCD = 2 Cycle, TRWL = 2 Cycle)**



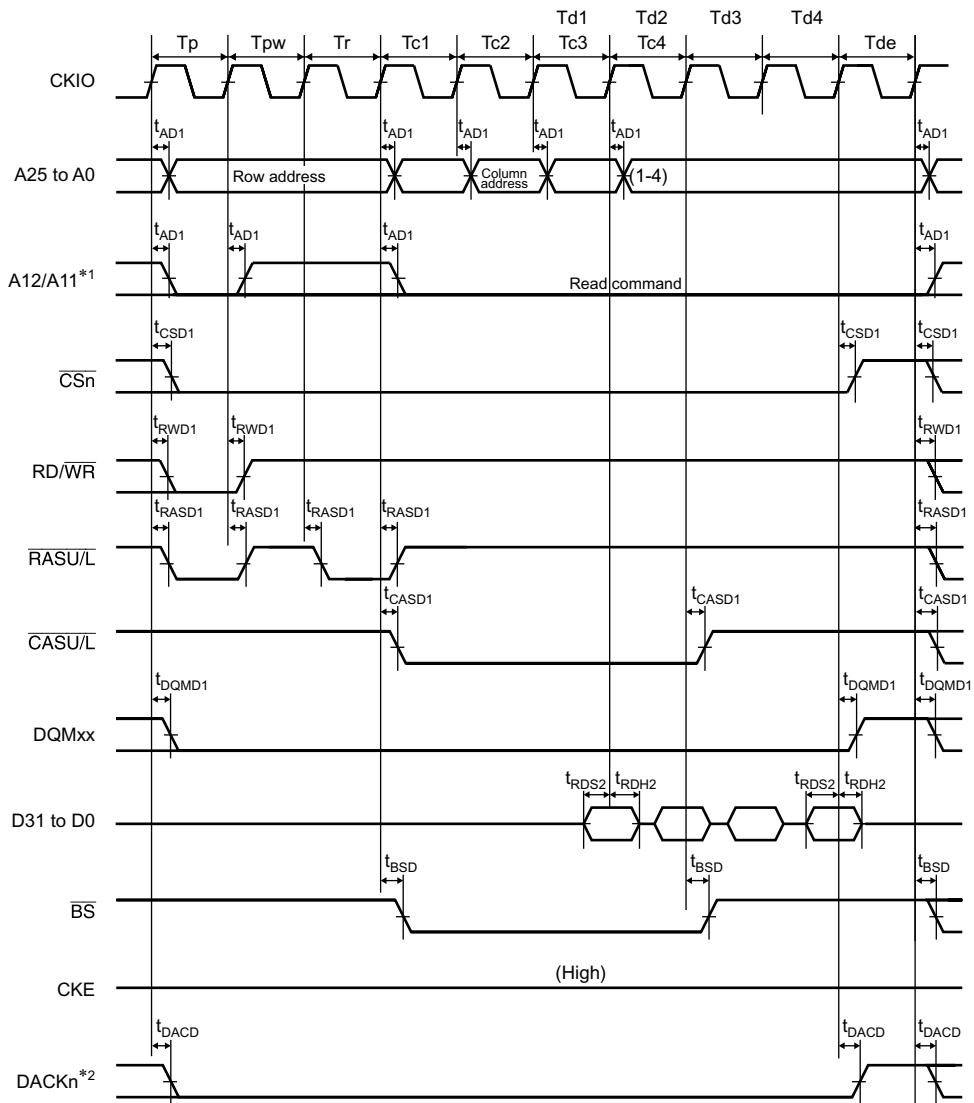
Notes: 1. Address pin to be connected to A10 of SDRAM.  
 2. DACKn is a waveform when active-low is specified.

**Figure 25.30 Synchronous DRAM Burst Read Bus Cycle (Single Read x 4)  
 (Bank Active Mode: ACTV + READ Commands, CAS Latency = 2, TRCD = 1 Cycle)**



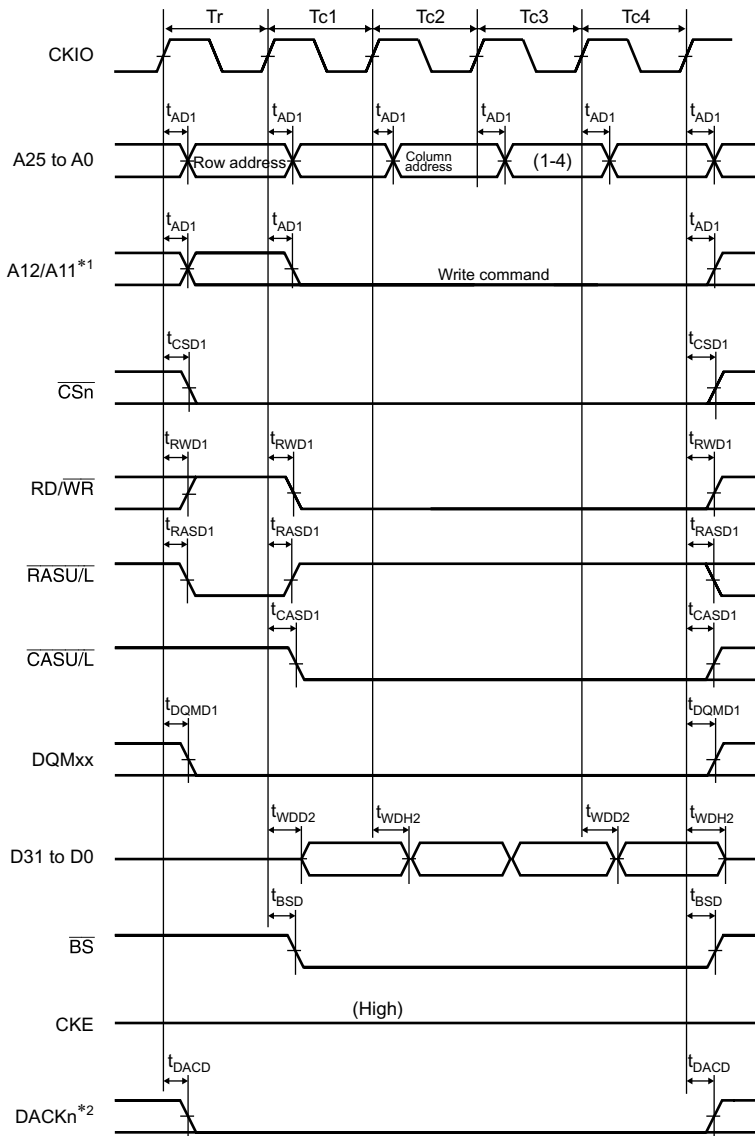
- Notes: 1. Address pin to be connected to A10 of SDRAM.  
 2. DACKn is a waveform when active-low is specified.

**Figure 25.31 Synchronous DRAM Burst Read Bus Cycle (Single Read × 4)**  
**(Bank Active Mode: READ Command, Same Row Address,**  
**CAS Latency = 2, TRCD = 1 Cycle)**



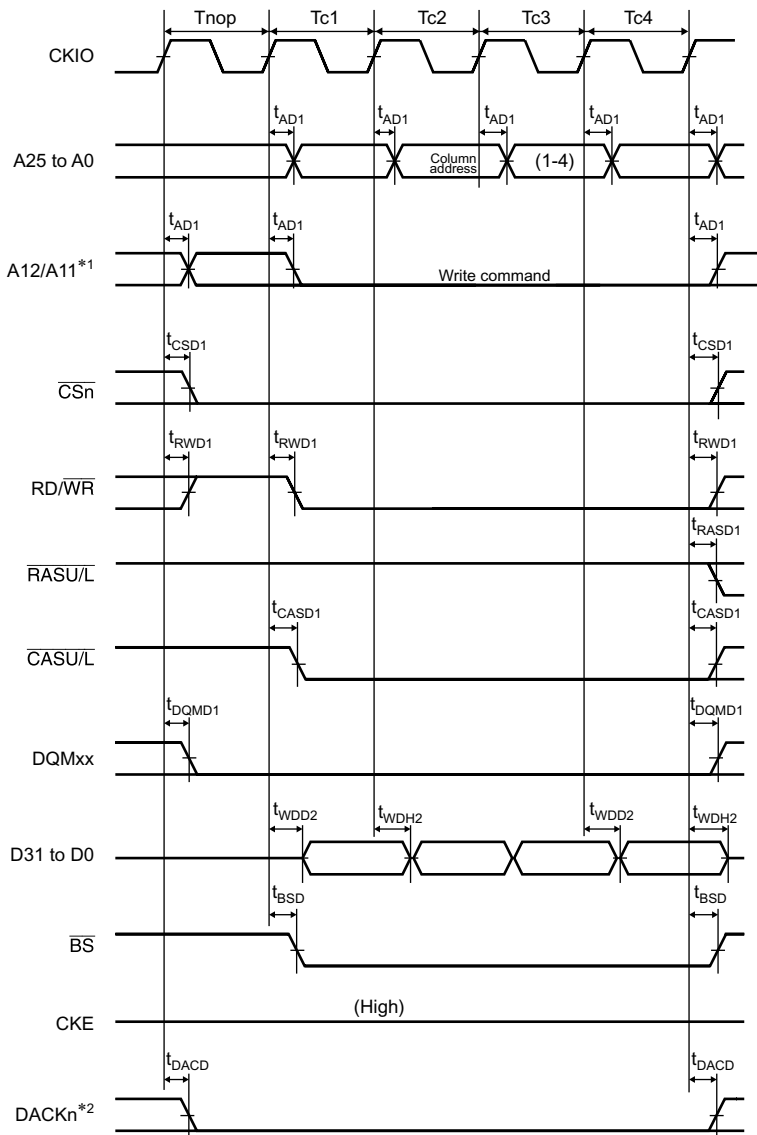
- Notes: 1. Address pin to be connected to A10 of SDRAM.  
 2. DACKn is a waveform when active-low is specified.

**Figure 25.32 Synchronous DRAM Burst Read Bus Cycle (Single Read × 4)**  
**(Bank Active Mode: PRE + ACTV + READ Commands,**  
**Different Row Address, CAS Latency = 2, TRCD = 1 Cycle)**



Notes: 1. Address pin to be connected to A10 of SDRAM.  
 2. DACKn is a waveform when active-low is specified.

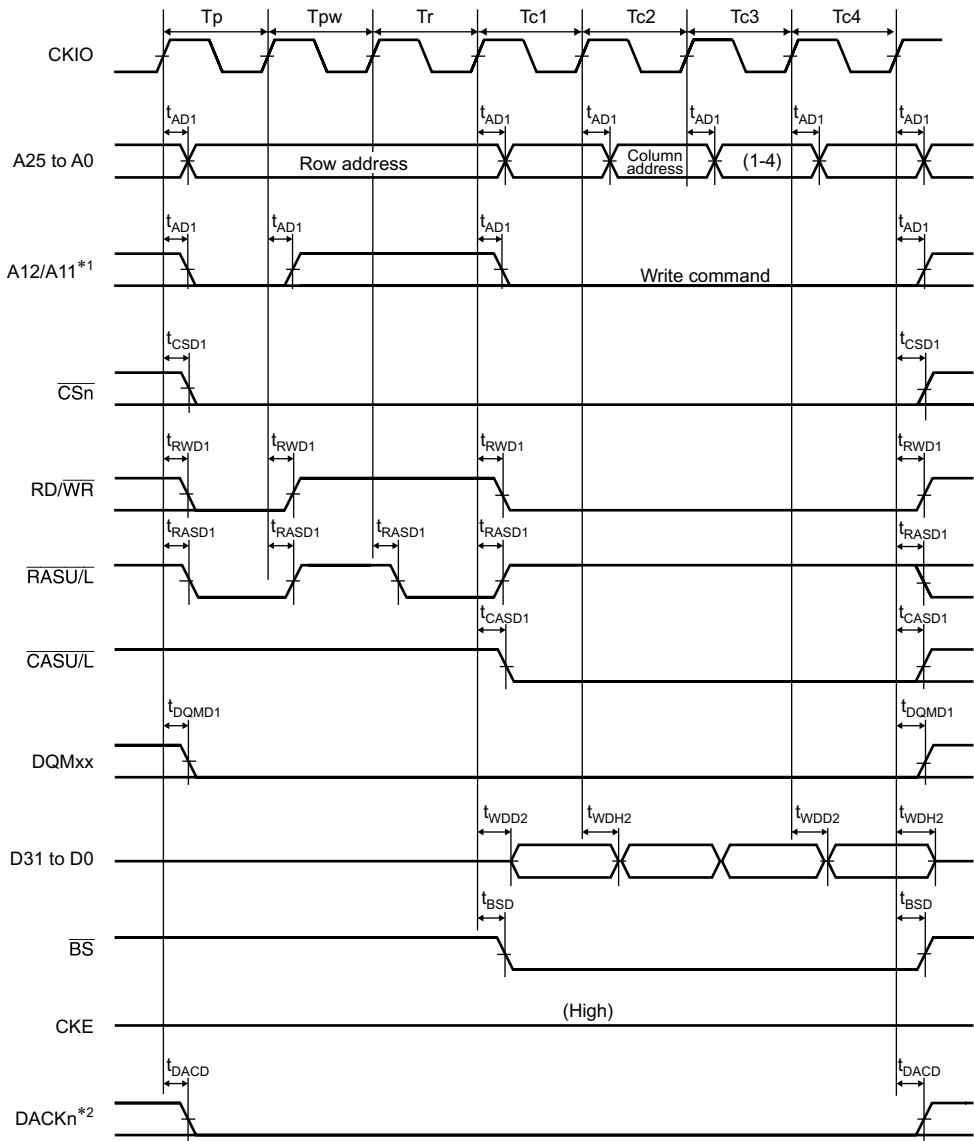
**Figure 25.33 Synchronous DRAM Burst Write Bus Cycle (Single Write × 4)**  
**(Bank Active Mode: ACTV + WRITE Commands, TRCD = 1 Cycle, TRWL = 1 Cycle)**



Notes: 1. Address pin to be connected to A10 of SDRAM.  
 2. DACKn is a waveform when active-low is specified.

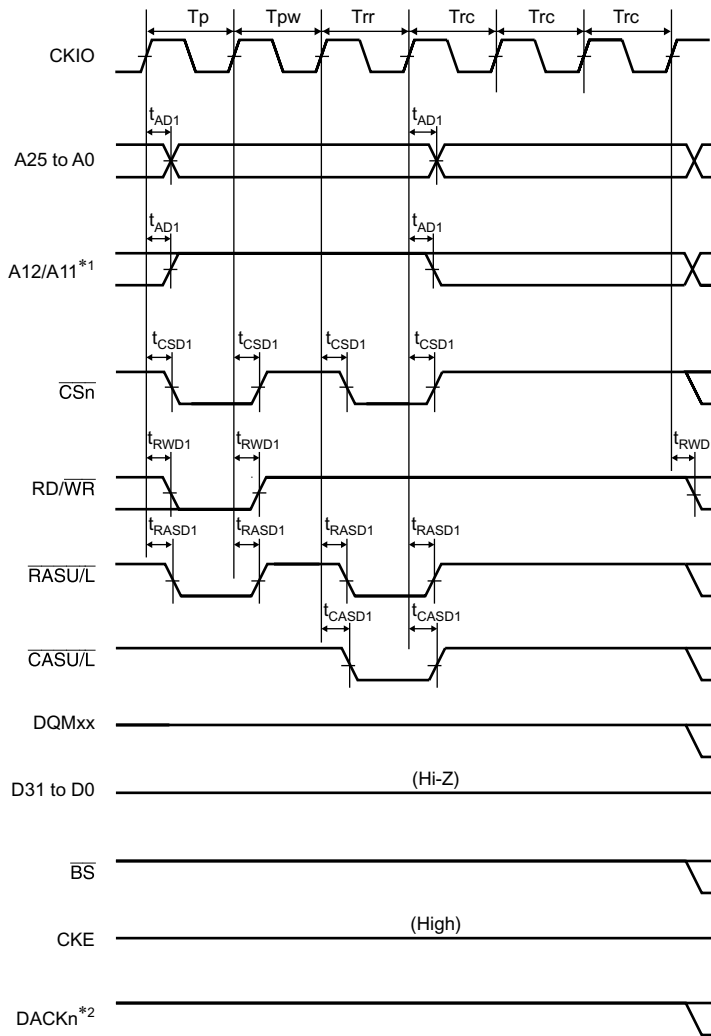
**Figure 25.34 Synchronous DRAM Burst Write Bus Cycle (Single Write × 4)**  
**(Bank Active Mode: WRITE Command, Same Row Address,**  
**TRCD = 1 Cycle, TRWL = 1 Cycle)**





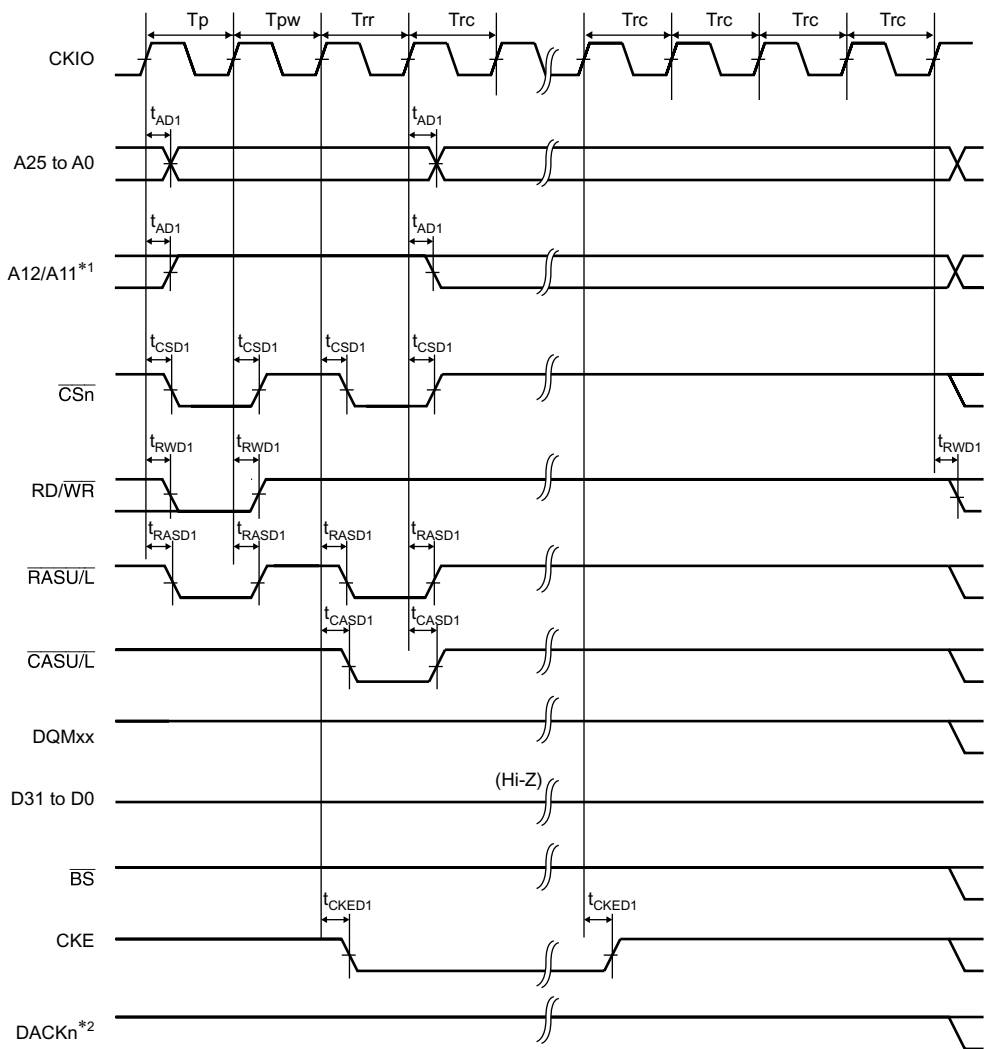
- Notes: 1. Address pin to be connected to A10 of SDRAM.  
 2. DACKn is a waveform when active-low is specified.

**Figure 25.35 Synchronous DRAM Burst Write Bus Cycle (Single Write x 4)**  
**(Bank Active Mode: PRE + ACTV + WRITE Commands,**  
**Different Row Address, TRCD = 1 Cycle, TRWL = 1 Cycle)**



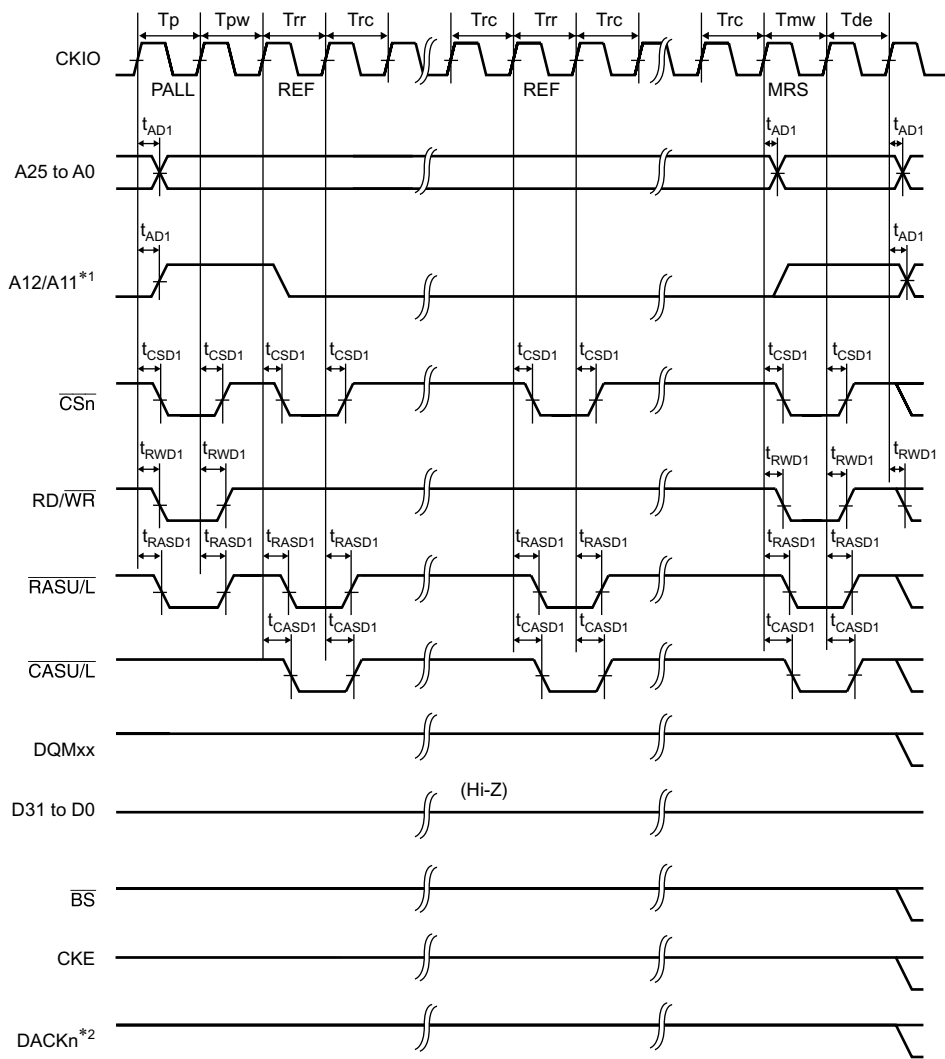
Notes: 1. Address pin to be connected to A10 of SDRAM.  
 2. DACKn is a waveform when active-low is specified.

**Figure 25.36 Synchronous DRAM Auto-Refresh Timing (TRP = 2 Cycle)**



Notes: 1. Address pin to be connected to A10 of SDRAM.  
 2. DACKn is a waveform when active-low is specified.

**Figure 25.37 Synchronous DRAM Self-Refresh Timing (TRP = 2 Cycle)**



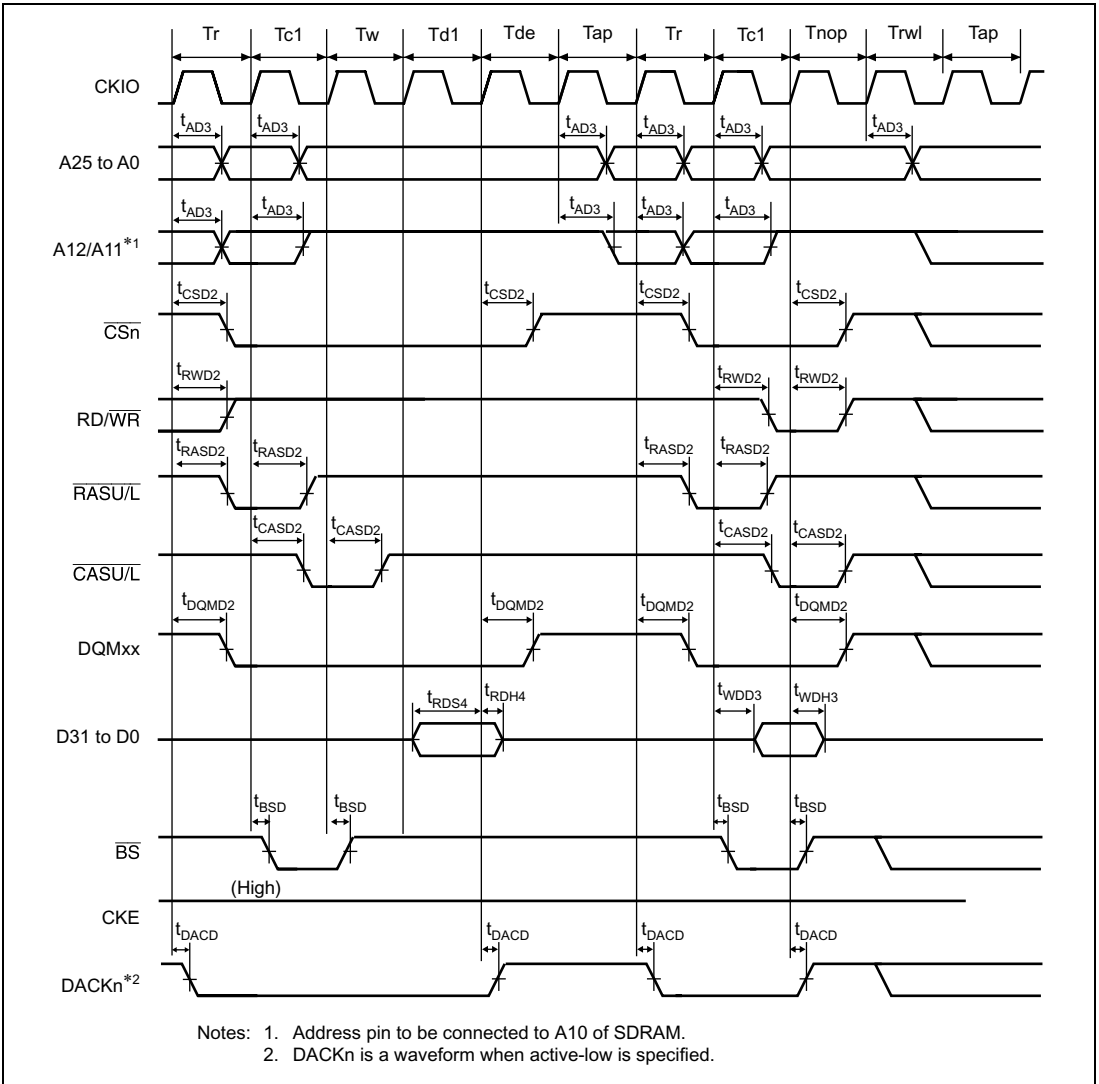
Notes: 1. Address pin to be connected to A10 of SDRAM.  
 2. DACKn is a waveform when active-low is specified.

**Figure 25.38 Synchronous DRAM Mode Register Write Timing (TRP = 2 Cycle)**

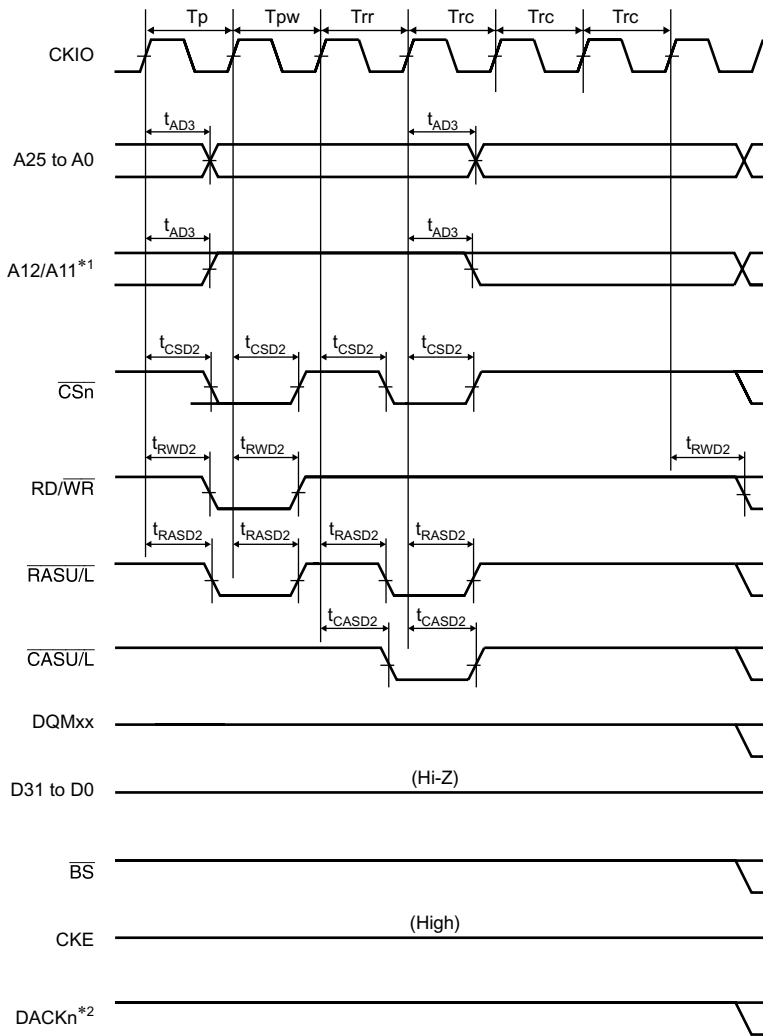
**Table 25.8 Bus Timing (2)**

(Conditions:  $V_{CCQ} = V_{CC-RTC} = V_{CC-USB} = 3.0$  to  $3.6$  V,  $V_{CC} = V_{CC-PLL1} = V_{CC-PLL2} = 1.4$  to  $1.6$  V,  $AV_{CC} = 3.0$  to  $3.6$  V,  $V_{SSQ} = V_{SS} = V_{SS-RTC} = V_{SS-USB} = V_{SS-PLL1} = V_{SS-PLL2} = AV_{SS} = 0$  V,  $T_a = -20$  to  $75^\circ\text{C}$ , Clock mode 0/1/2/4/5/6/7)

| Item                          | Symbol      | Min             | Max              | Unit | Figure         |
|-------------------------------|-------------|-----------------|------------------|------|----------------|
| Address delay time 3          | $t_{AD3}$   | $1/2 t_{cyc}$   | $1/2 t_{cyc}+12$ | ns   | 25.39 to 25.42 |
| $\overline{CS}$ delay time 2  | $t_{CSD2}$  | $1/2 t_{cyc}$   | $1/2 t_{cyc}+10$ | ns   | 25.39 to 25.42 |
| Read/write delay time 2       | $t_{RWD2}$  | $1/2 t_{cyc}$   | $1/2 t_{cyc}+10$ | ns   | 25.39 to 25.42 |
| Read data setup time 4        | $t_{RDS4}$  | $1/2 t_{cyc}+6$ | —                | ns   | 25.39          |
| Read data hold time 4         | $t_{RDH4}$  | 0               | —                | ns   | 25.39          |
| Write data delay time 3       | $t_{WDD3}$  | —               | $1/2 t_{cyc}+12$ | ns   | 25.39          |
| Write data hold time 3        | $t_{WDH3}$  | $1/2 t_{cyc}$   | —                | ns   | 25.39          |
| $\overline{RAS}$ delay time 2 | $t_{RASD2}$ | $1/2 t_{cyc}$   | $1/2 t_{cyc}+10$ | ns   | 25.39 to 25.42 |
| $\overline{CAS}$ delay time 2 | $t_{CASD2}$ | $1/2 t_{cyc}$   | $1/2 t_{cyc}+10$ | ns   | 25.39 to 25.42 |
| DQM delay time 2              | $t_{DQMD2}$ | $1/2 t_{cyc}$   | $1/2 t_{cyc}+10$ | ns   | 25.39          |
| CKE delay time 2              | $t_{CKED2}$ | $1/2 t_{cyc}$   | $1/2 t_{cyc}+10$ | ns   | 25.41          |

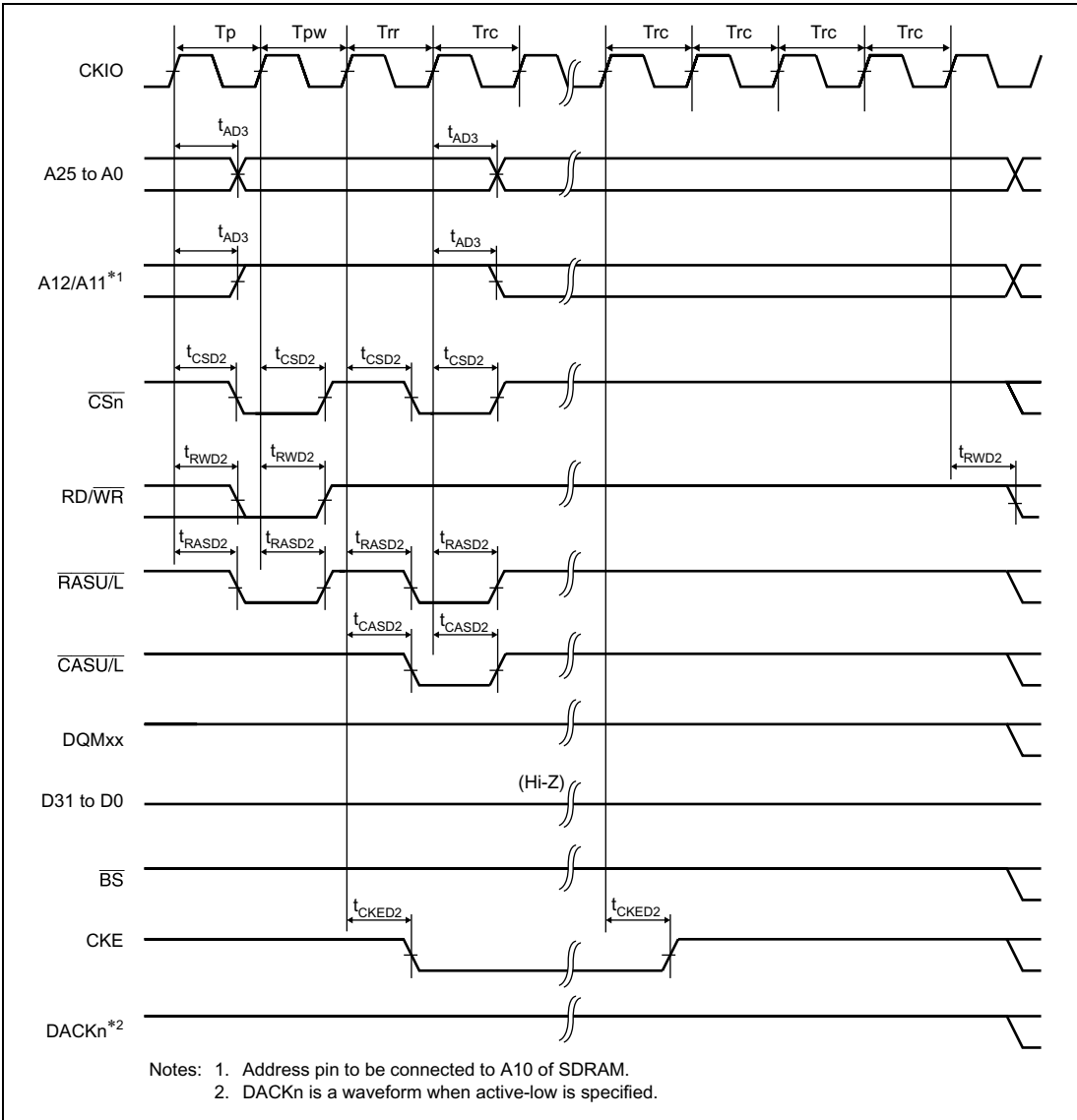


**Figure 25.39 Access Timing in Low-Frequency Mode (Auto Precharge)**



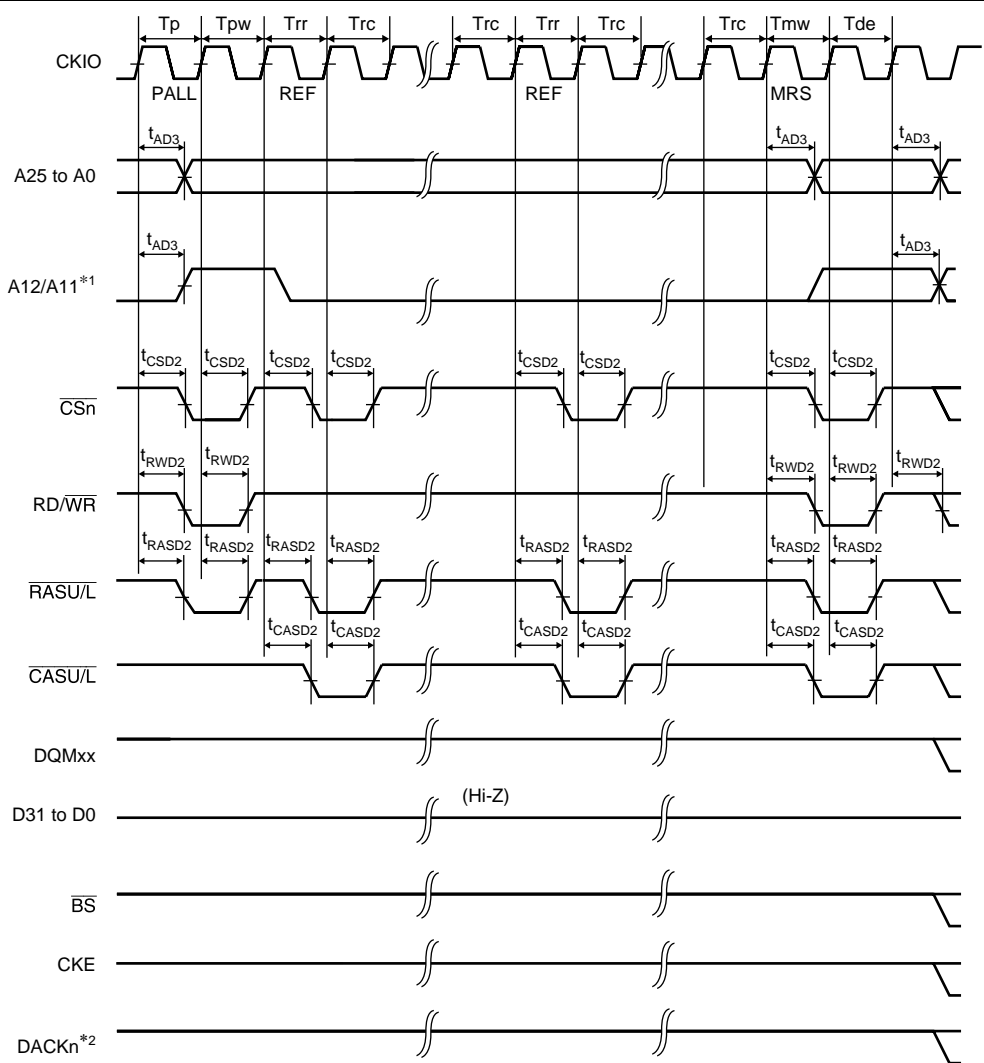
Notes: 1. Address pin to be connected to A10 of SDRAM.  
 2. DACK<sub>n</sub> is a waveform when active-low is specified.

**Figure 25.40 Synchronous DRAM Auto-Refresh Timing  
 (TRP = 2 Cycle, Low-Frequency Mode)**



**Figure 25.41 Synchronous DRAM Self-Refresh Timing  
(TRP = 2 Cycle, Low-Frequency Mode)**





- Notes: 1. Address pin to be connected to A10 of SDRAM.  
 2. DACKn is a waveform when active-low is specified.

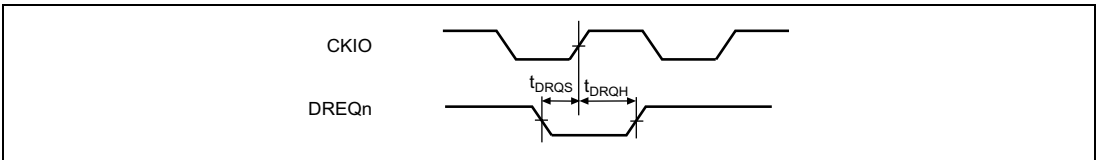
**Figure 25.42 Synchronous DRAM Mode Register Write Timing**  
 (TRP = 2 Cycle, Low-Frequency Mode)

### 25.3.7 DMAC Signal Timing

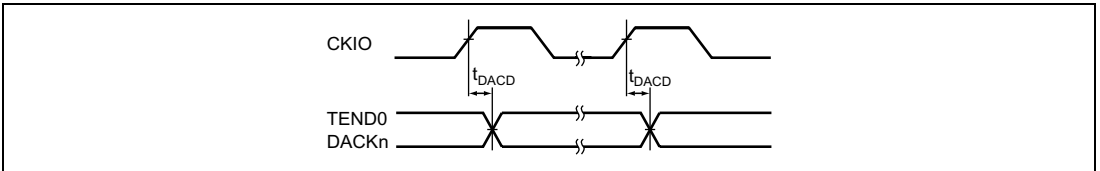
**Table 25.9 DMAC Signal Timing**

(Conditions:  $V_{CCQ} = V_{CC-RTC} = V_{CC-USB} = 3.0$  to  $3.6$  V,  $V_{CC} = V_{CC-PLL1} = V_{CC-PLL2} = 1.4$  to  $1.6$  V,  $AV_{CC} = 3.0$  to  $3.6$  V,  $V_{SSQ} = V_{SS} = V_{SS-RTC} = V_{SS-USB} = V_{SS-PLL1} = V_{SS-PLL2} = AV_{SS} = 0$  V,  $T_a = -20$  to  $75^\circ\text{C}$ )

| Module | Item                  | Symbol     | Min | Max | Unit | Figure |
|--------|-----------------------|------------|-----|-----|------|--------|
| DMAC   | DREQ setup time       | $t_{DRQS}$ | 10  | —   | ns   | 25.43  |
|        | DREQ hold time        | $t_{DRQH}$ | 3   | —   |      |        |
|        | DACK, TEND delay time | $t_{DACD}$ | —   | 10  |      | 25.44  |



**Figure 25.43 DREQ Input Timing**



**Figure 25.44 DACK, TEND Output Timing**

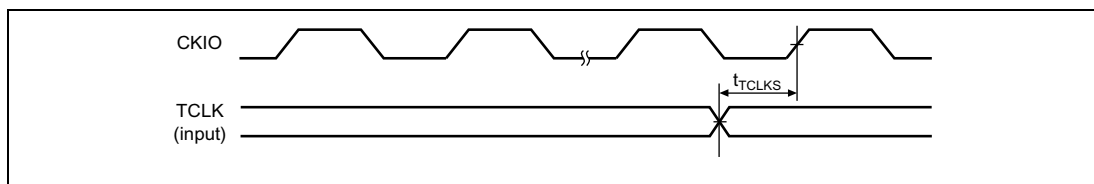
## 25.3.8 TMU Signal Timing

**Table 25.10 TMU Signal Timing**

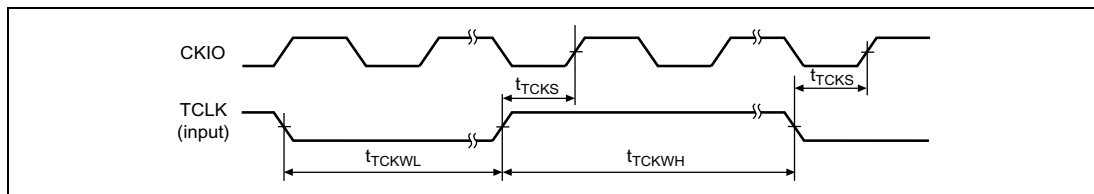
(Conditions:  $V_{CCQ} = V_{CC-RTC} = V_{CC-USB} = 3.0$  to  $3.6$  V,  $V_{CC} = V_{CC-PLL1} = V_{CC-PLL2} = 1.4$  to  $1.6$  V,  $AV_{CC} = 3.0$  to  $3.6$  V,  $V_{SSQ} = V_{SS} = V_{SS-RTC} = V_{SS-USB} = V_{SS-PLL1} = V_{SS-PLL2} = AV_{SS} = 0$  V,  $T_a = -20$  to  $75^\circ\text{C}$ )

| Module                  | Item                         | Symbol                | Min         | Max                   | Unit         | Figure |       |
|-------------------------|------------------------------|-----------------------|-------------|-----------------------|--------------|--------|-------|
| TMU                     | Timer input setup time       | B:P clock ratio = 1:1 | $t_{TCLKS}$ | 15                    | —            | ns     | 25.45 |
|                         |                              | B:P clock ratio = 2:1 |             | $t_{cyc}+15$          | —            |        |       |
|                         |                              | B:P clock ratio = 4:1 |             | $3 \times t_{cyc}+15$ | —            |        |       |
|                         | Timer clock input setup time |                       | $t_{TCKS}$  | 15                    | —            | 25.46  |       |
| Timer clock pulse width | Edge specification           | $t_{TCKWH/L}$         | 2.0         | —                     | $t_{pcyc}^*$ |        |       |
|                         | Both edge specification      | $t_{TCKWH/L}$         | 3.0         | —                     |              |        |       |

Note: \*  $t_{pcyc}$  indicates a peripheral clock (P $\phi$ ) cycle.



**Figure 25.45 TCLK Input Timing**



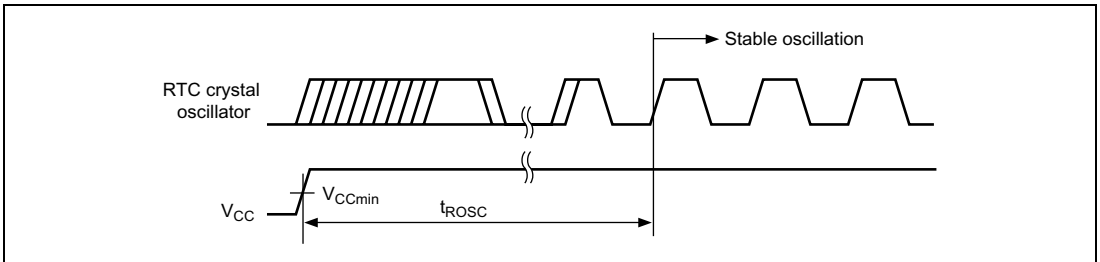
**Figure 25.46 TCLK Clock Input Timing**

## 25.3.9 RTC Signal Timing

**Table 25.11 RTC Signal Timing**

(Conditions:  $V_{CCQ} = V_{CC-RTC} = V_{CC-USB} = 3.0$  to  $3.6$  V,  $V_{CC} = V_{CC-PLL1} = V_{CC-PLL2} = 1.4$  to  $1.6$  V,  $AV_{CC} = 3.0$  to  $3.6$  V,  $V_{SSQ} = V_{SS} = V_{SS-RTC} = V_{SS-USB} = V_{SS-PLL1} = V_{SS-PLL2} = AV_{SS} = 0$  V,  $T_a = -20$  to  $75^\circ\text{C}$ )

| Module | Item                      | Symbol     | Min | Max | Unit | Figure |
|--------|---------------------------|------------|-----|-----|------|--------|
| RTC    | Oscillation settling time | $t_{ROSC}$ | 3   | —   | s    | 25.47  |



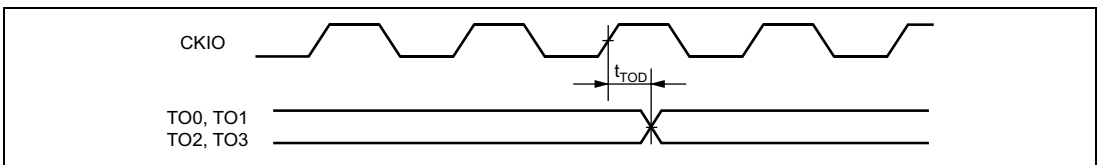
**Figure 25.47 Oscillation Settling Time when RTC Crystal Oscillator Is Turned On**

## 25.3.10 16-Bit Timer Pulse Unit (TPU) Signal Timing

**Table 25.12 16-Bit Timer Pulse Unit (TPU) Signal Timing**

(Conditions:  $V_{CCQ} = V_{CC-RTC} = V_{CC-USB} = 3.0$  to  $3.6$  V,  $V_{CC} = V_{CC-PLL1} = V_{CC-PLL2} = 1.4$  to  $1.6$  V,  $AV_{CC} = 3.0$  to  $3.6$  V,  $V_{SSQ} = V_{SS} = V_{SS-RTC} = V_{SS-USB} = V_{SS-PLL1} = V_{SS-PLL2} = AV_{SS} = 0$  V,  $T_a = -20$  to  $75^\circ\text{C}$ )

| Item                    | Symbol    | Min | Max | Unit | Figure |
|-------------------------|-----------|-----|-----|------|--------|
| Timer output delay time | $t_{TOD}$ | —   | 15  | ns   | 25.48  |



**Figure 25.48 TPU Output Timing**

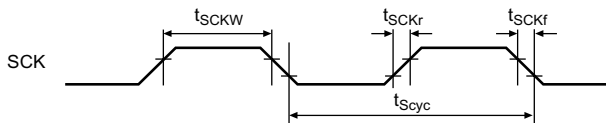
## 25.3.11 SCIF Module Signal Timing

**Table 25.13 SCIF Module Signal Timing**

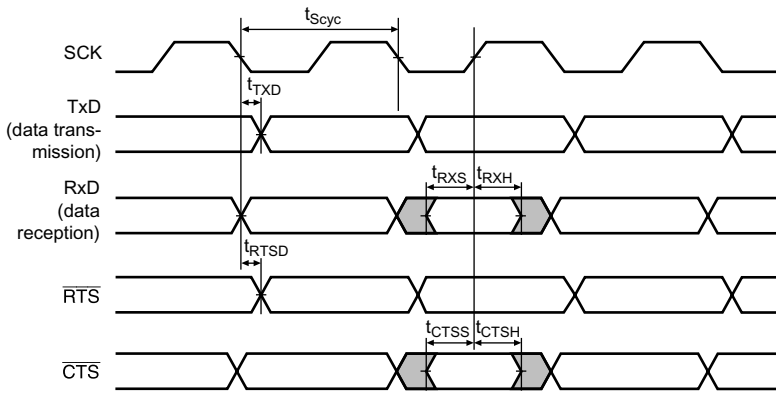
(Conditions:  $V_{CCQ} = V_{CC-RTC} = V_{CC-USB} = 3.0$  to  $3.6$  V,  $V_{CC} = V_{CC-PLL1} = V_{CC-PLL2} = 1.4$  to  $1.6$  V,  $AV_{CC} = 3.0$  to  $3.6$  V,  $V_{SSQ} = V_{SS} = V_{SS-RTC} = V_{SS-USB} = V_{SS-PLL1} = V_{SS-PLL2} = AV_{SS} = 0$  V,  $T_a = -20$  to  $75^\circ\text{C}$ )

| Module          | Item  | Symbol                   | Min            | Max                 | Unit       | Figure     |       |
|-----------------|---|--------------------------|----------------|---------------------|------------|------------|-------|
| SCIF0,<br>SCIF2 | Input clock<br>cycle                                    | Clock<br>synchronization | $t_{Syc}$      | 12                  | —          | $t_{pcyc}$ | 25.49 |
|                 |   | Asynchroniza-<br>tion    |                | 4                   | —          |            | 25.50 |
|                 | Input clock rise time                                   | $t_{SCKr}$               | —              | 1.5                 |            | 25.49      |       |
|                 | Input clock fall time                                   | $t_{SCKf}$               | —              | 1.5                 |            |            |       |
|                 | Input clock pulse width                                 | $t_{SCKW}$               | 0.4            | 0.6                 | $t_{scyc}$ |            |       |
|                 | Transmission data delay time<br>(clock synchronization) | $t_{TXD}$                | —              | $3 t_{pcyc}^* + 50$ | ns         | 25.50      |       |
|                 | Receive data setup time<br>(clock synchronization)      | $t_{RXS}$                | $2 t_{pcyc}^*$ | —                   |            |            |       |
|                 | Receive data hold time<br>(clock synchronization)       | $t_{RXH}$                | $2 t_{pcyc}^*$ | —                   |            |            |       |
|                 | $\overline{RTS}$ delay time<br>(clock synchronization)  | $t_{RTSD}$               | —              | 100                 |            |            |       |
|                 | $\overline{CTS}$ setup time<br>(clock synchronization)  | $t_{CTSS}$               | 100            | —                   |            |            |       |
|                 | $\overline{CTS}$ hold time<br>(clock synchronization)   | $t_{CTSH}$               | 100            | —                   |            |            |       |

Note: \*  $t_{pcyc}$  indicates a peripheral clock (P $\phi$ ) cycle.



**Figure 25.49 SCK Input Clock Timing**



**Figure 25.50 SCIF Input/Output Timing in Clock Synchronous Mode**

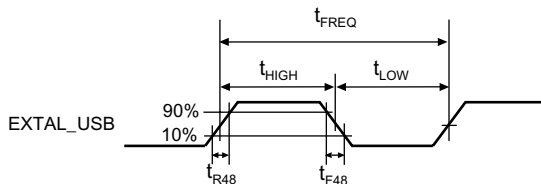
### 25.3.12 USB Module Signal Timing

**Table 25.14 USB Module Clock Timing**

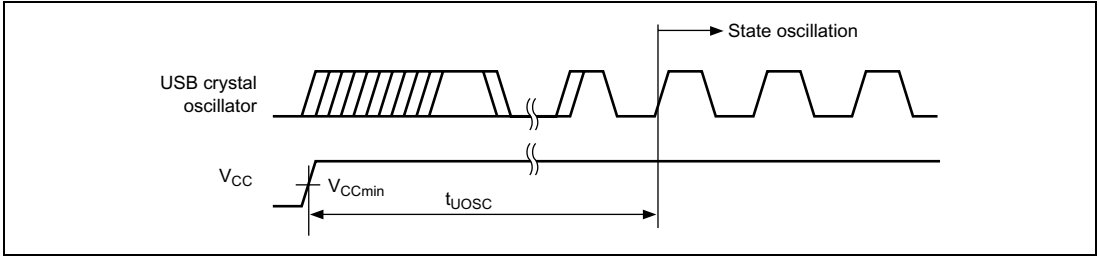
(Conditions:  $V_{CCQ} = V_{CC-RTC} = V_{CC-USB} = 3.0$  to  $3.6$  V,  $V_{CC} = V_{CC-PLL1} = V_{CC-PLL2} = 1.4$  to  $1.6$  V,  $AV_{CC} = 3.0$  to  $3.6$  V,  $V_{SSQ} = V_{SS} = V_{SS-RTC} = V_{SS-USB} = V_{SS-PLL1} = V_{SS-PLL2} = AV_{SS} = 0$  V,  $T_a = -20$  to  $75^\circ\text{C}$ )

| Item                         | Symbol     | Min  | Max  | Unit | Figure |
|------------------------------|------------|------|------|------|--------|
| Frequency (48 MHz)*          | $t_{FREQ}$ | 47.9 | 48.1 | MHz  | 25.51  |
| Clock rise time*             | $t_{R48}$  | —    | 4    | ns   |        |
| Clock fall time*             | $t_{F48}$  | —    | 4    | ns   |        |
| Duty ( $t_{HIGH}/t_{LOW}$ )* | $t_{DUTY}$ | 90   | 110  | %    |        |
| Oscillation settling time    | $t_{UOSC}$ | 10   | —    | ms   | 25.52  |

Note: \*When the USB is operated by supplying a clock to the EXTAL\_USB pin from off-chip, the supplied clock must satisfy the above clock specifications.



**Figure 25.51 USB Clock Timing**



**Figure 25.52 Oscillation Settling Time when USB Crystal Oscillator Is Turned On**

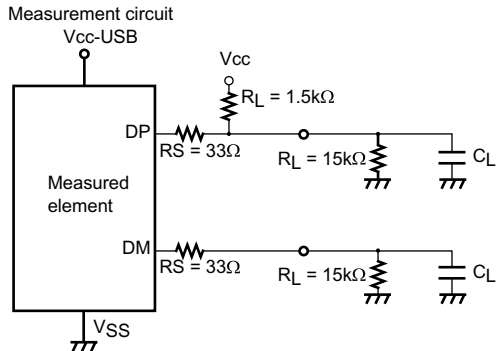
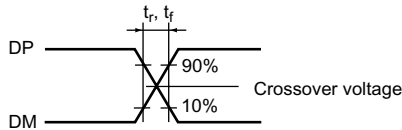
### 25.3.13 USB Transceiver Timing

**Table 25.15 USB Transceiver Timing**

(Conditions:  $V_{CCQ} = V_{CC-RTC} = V_{CC-USB} = 3.0$  to  $3.6$  V,  $V_{CC} = V_{CC-PLL1} = V_{CC-PLL2} = 1.4$  to  $1.6$  V,  $AV_{CC} = 3.0$  to  $3.6$  V,  $V_{SSQ} = V_{SS} = V_{SS-RTC} = V_{SS-USB} = V_{SS-PLL1} = V_{SS-PLL2} = AV_{SS} = 0$  V,  $T_a = -20$  to  $75^\circ\text{C}$ )

| Item                            | Symbol      | Min | Typ | Max | Unit | Measurement Condition |
|---------------------------------|-------------|-----|-----|-----|------|-----------------------|
| Rising time                     | $t_r$       | 4   | —   | 20  | ns   | $C_L = 50\text{pF}$   |
| Falling time                    | $t_f$       | 4   | —   | 20  | ns   | $C_L = 50\text{pF}$   |
| Rising/falling time ratio       | $t_r / t_f$ | 90  | —   | 110 | %    |                       |
| Output signal crossover voltage | $V_{CRS}$   | 1.3 | —   | 2.0 | V    | $C_L = 50\text{pF}$   |

Note: This transceiver complies with the full-speed specifications.



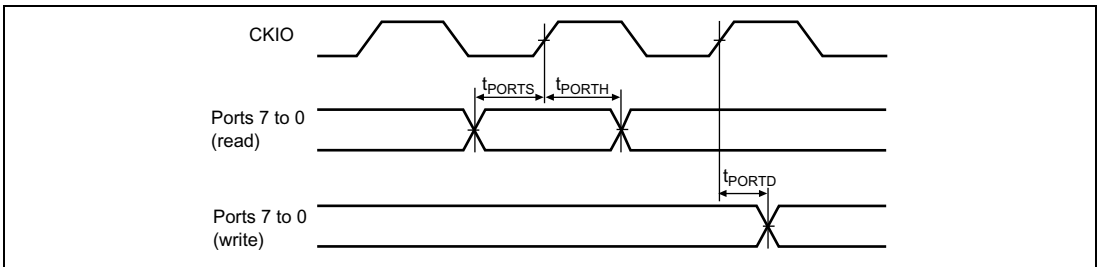
1.  $t_r$  and  $t_f$  are judged by the time taken for the transitions between 10% and 90% amplitude.
2. The electrostatic capacitance,  $C_L$ , includes the floating capacitance of the wiring connection and the input capacitance of the probe.

### 25.3.14 Port Input/Output Timing

**Table 25.16 Port Input/Output Timing**

(Conditions:  $V_{CCQ} = V_{CC-RTC} = V_{CC-USB} = 3.0$  to  $3.6$  V,  $V_{CC} = V_{CC-PLL1} = V_{CC-PLL2} = 1.4$  to  $1.6$  V,  $AV_{CC} = 3.0$  to  $3.6$  V,  $V_{SSQ} = V_{SS} = V_{SS-RTC} = V_{SS-USB} = V_{SS-PLL1} = V_{SS-PLL2} = AV_{SS} = 0$  V,  $T_a = -20$  to  $75^\circ\text{C}$ )

| Module                | Item                   | Symbol                | Min | Max | Unit | Figure |
|-----------------------|------------------------|-----------------------|-----|-----|------|--------|
| Port                  | Output data delay time | $t_{PORTD}$           | —   | 17  | ns   | 25.53  |
| Input data setup time | B:P clock ratio = 1:1  | $t_{PORTS}$           | 15  | —   |      |        |
|                       |                        | $t_{cyc}+15$          |     | —   |      |        |
|                       |                        | $3 \times t_{cyc}+15$ |     | —   |      |        |
|                       | B:P clock ratio = 2:1  |                       |     |     |      |        |
|                       | B:P clock ratio = 4:1  |                       |     |     |      |        |
|                       | Input data hold time   | $t_{PORTH}$           | 8   | —   |      |        |



**Figure 25.53 I/O Port Timing**

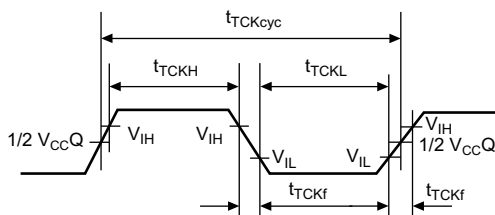


## 25.3.15 UDI Related Pin Timing

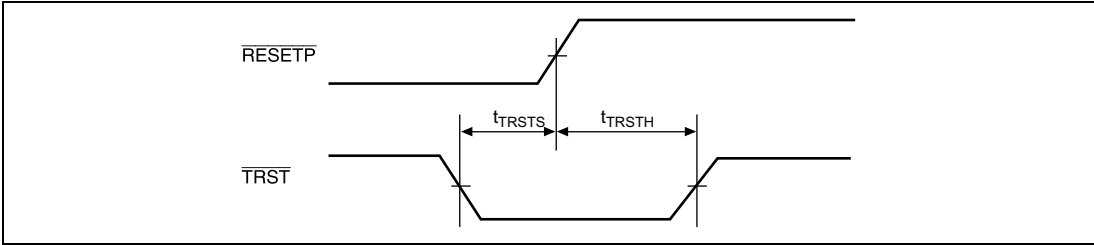
**Table 25.17 UDI Related Pin Timing**

(Conditions:  $V_{CCQ} = V_{CC-RTC} = V_{CC-USB} = 3.0$  to  $3.6$  V,  $V_{CC} = V_{CC-PLL1} = V_{CC-PLL2} = 1.4$  to  $1.6$  V,  $AV_{CC} = 3.0$  to  $3.6$  V,  $V_{SSQ} = V_{SS} = V_{SS-RTC} = V_{SS-USB} = V_{SS-PLL1} = V_{SS-PLL2} = AV_{SS} = 0$  V,  $T_a = -20$  to  $75^\circ\text{C}$ )

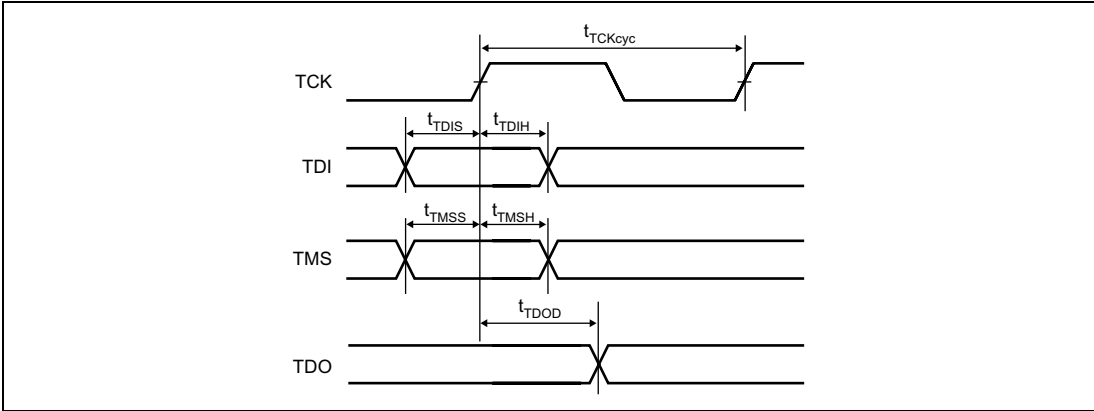
| Item                                  | Symbol        | Min | Max | Unit      | Figure          |
|---------------------------------------|---------------|-----|-----|-----------|-----------------|
| TCK cycle time                        | $t_{TCKcyc}$  | 50  | —   | ns        | 25.54,<br>25.56 |
| TCK high-pulse width                  | $t_{TCKH}$    | 12  | —   | ns        | 25.54           |
| TCK low-pulse width                   | $t_{TCKL}$    | 12  | —   | ns        |                 |
| TCK rise/fall time                    | $t_{TCKf}$    | —   | 4   | ns        |                 |
| $\overline{\text{TRST}}$ setup time   | $t_{TRSTS}$   | 12  | —   | ns        | 25.55           |
| $\overline{\text{TRST}}$ hold time    | $t_{TRSTH}$   | 50  | —   | $t_{cyc}$ |                 |
| TDI setup time                        | $t_{TDIS}$    | 10  | —   | ns        | 25.56           |
| TDI hold time                         | $t_{TDIH}$    | 10  | —   | ns        |                 |
| TMS setup time                        | $t_{TMSS}$    | 10  | —   | ns        |                 |
| TMS hold time                         | $t_{TMSH}$    | 10  | —   | ns        |                 |
| TDO delay time                        | $t_{TDOD}$    | —   | 15  | ns        |                 |
| $\overline{\text{ASEMD0}}$ setup time | $t_{ASEMD0S}$ | 12  | —   | ns        | 25.57           |
| $\overline{\text{ASEMD0}}$ hold time  | $t_{ASEMD0H}$ | 12  | —   | ns        |                 |



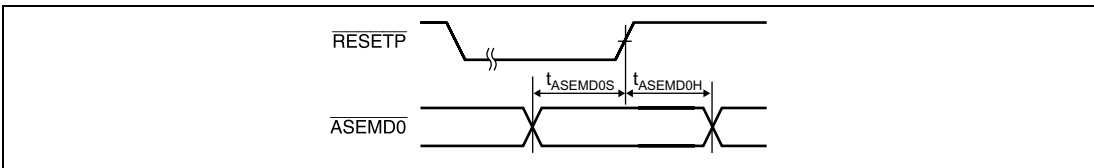
**Figure 25.54 TCK Input Timing**



**Figure 25.55**  $\overline{\text{TRST}}$  Input Timing (Reset Hold)



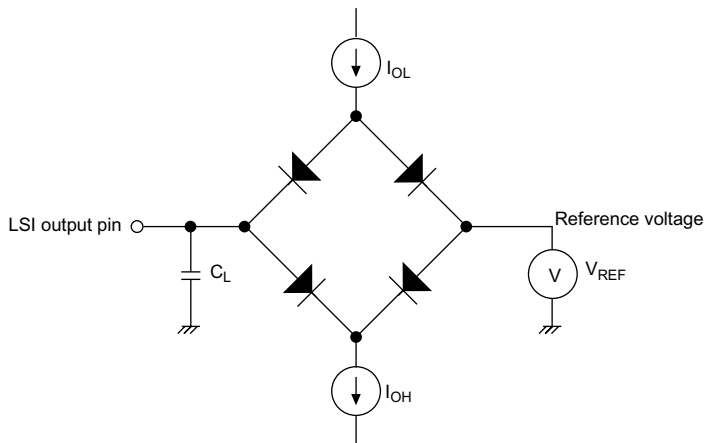
**Figure 25.56** UDI Data Transfer Timing



**Figure 25.57**  $\overline{\text{ASEMDO}}$  Input Timing

### 25.3.16 AC Characteristics Measurement Conditions

- I/O signal reference level:  $V_{CCQ}/2$  ( $V_{CCQ} = 3.0$  to  $3.6$  V,  $V_{CC} = 1.4$  to  $1.6$  V)
- Input pulse level:  $V_{SSQ}$  to  $3.0$  V (where  $\overline{\text{RESETP}}$ ,  $\overline{\text{RESETM}}$ ,  $\overline{\text{ASEMD0}}$ ,  $\text{NMI}$ ,  $\text{IRQ5}$  to  $\text{IRQ0}$ ,  $\text{CKIO}$ , and  $\text{MD6}$  to  $\text{MD0}$  are within  $V_{SSQ}$  to  $V_{CCQ}$ )
- Input rise and fall times: 1 ns



- Notes: 1.  $C_L$  is the total value that includes the capacitance of measurement instruments, etc., and is set as follows for each pin.  
30 pF:  $\overline{\text{CKIO}}$ ,  $\overline{\text{RASU/L}}$ ,  $\overline{\text{CASU/L}}$ ,  $\text{CS0}$ ,  $\text{CS2}$  to  $\text{CS6B}$ ,  $\overline{\text{BACK}}$   
50 pF: All other pins
2.  $I_{OL} = 1.6$  mA,  $I_{OH} = 200$  A

**Figure 25.58 Output Load Circuit**

## 25.4 A/D Converter Characteristics

Table 25.18 lists the A/D converter characteristics.

**Table 25.18 A/D Converter Characteristics**

(Conditions:  $V_{CCQ} = V_{CC-RTC} = V_{CC-USB} = 3.0$  to  $3.6$  V,  $V_{CC} = V_{CC-PLL1} = V_{CC-PLL2} = 1.4$  to  $1.6$  V,  $AV_{CC} = 3.0$  to  $3.6$  V,  $V_{SSQ} = V_{SS} = V_{SS-RTC} = V_{SS-USB} = V_{SS-PLL1} = V_{SS-PLL2} = AV_{SS} = 0$  V,  $T_a = -20$  to  $75^\circ\text{C}$ )

| Item  | Min | Typ | Max       | Unit          |
|---|-----|-----|-----------|---------------|
| Resolution  | 10  | 10  | 10        | bits          |
| Conversion time                                     | 8.5 | —   | —         | $\mu\text{s}$ |
| Analog input capacitance                            | —   | —   | 20        | pF            |
| Permissible signal-source impedance (single-source) | —   | —   | 5         | k $\Omega$    |
| Nonlinearity error                                  | —   | —   | $\pm 3.0$ | LSB           |
| Offset error  | —   | —   | $\pm 2.0$ | LSB           |
| Full-scale error                                    | —   | —   | $\pm 2.0$ | LSB           |
| Quantization error                                  | —   | —   | $\pm 0.5$ | LSB           |
| Absolute accuracy                                   | —   | —   | $\pm 4.0$ | LSB           |

# Appendix

## A. I/O Port States in Each Processing State

Table A.1 I/O Port States in Each Processing State

| Category                         | Pin                                | Reset                             |                                   | Power-Down States                 |                     | Bus Mastership Released | I/O         | Handling of Unused Pins |
|----------------------------------|------------------------------------|-----------------------------------|-----------------------------------|-----------------------------------|---------------------|-------------------------|-------------|-------------------------|
|                                  |                                    | Power-on Reset                    | Manual Reset                      | Software Standby                  | Sleep               |                         |             |                         |
| Clock                            | EXTAL                              | I                                 | I                                 | I                                 | I                   | I                       | I           | Pull-up                 |
|                                  | XTAL                               | O                                 | O                                 | O                                 | O                   | O                       | O           | Open                    |
|                                  | EXTAL2                             | I                                 | I                                 | I                                 | I                   | I                       | I           | Pull-up                 |
|                                  | XTAL2                              | O                                 | O                                 | O                                 | O                   | O                       | O           | Open                    |
|                                  | CKIO                               | I O <sup>*1</sup>                 | I O <sup>*1</sup>                 | I O <sup>*1</sup>                 | I O <sup>*1</sup>   | I O <sup>*1</sup>       | I O         | Open                    |
| System control                   | RESETP                             | I <sup>*11</sup>                  | I <sup>*11</sup>                  | I <sup>*11</sup>                  | I <sup>*11</sup>    | I <sup>*11</sup>        | I           | Must be used            |
|                                  | RESETM                             | I                                 | I                                 | I                                 | I                   | I                       | I           | Pull-up                 |
|                                  | BREQ/PTG[6]                        | Z                                 | i P <sup>*2</sup>                 | i K <sup>*3</sup>                 | I P <sup>*2</sup>   | I                       | I/O         | Pull-up                 |
|                                  | BACK/PTG[5]                        | O                                 | O P <sup>*2</sup>                 | O K <sup>*3</sup>                 | O P <sup>*2</sup>   | L P <sup>*2</sup>       | O/I/O       | Open                    |
|                                  | MD6                                | I                                 | i                                 | Z                                 | i                   | i                       | I           | Pull-down               |
|                                  | MD[2:0]                            | I                                 | i                                 | i                                 | i                   | i                       | I           | Must be used            |
|                                  | MD[5:3]                            | I                                 | i                                 | Z                                 | i                   | i                       | I           | Must be used            |
|                                  | CA                                 | I                                 | I                                 | I                                 | I                   | I                       | I           | Pull-up                 |
|                                  | STATUS0/<br>PTE[4]/RTS $\bar{0}$   | H                                 | H P <sup>*2</sup> Z <sup>*6</sup> | H K <sup>*3</sup> Z <sup>*6</sup> | L P <sup>*2</sup> O | L P <sup>*2</sup> O     | O/I/O/<br>O | Open                    |
| STATUS1/<br>PTE[5]/CTS $\bar{0}$ | H                                  | H P <sup>*2</sup> Z <sup>*6</sup> | L K <sup>*3</sup> Z <sup>*7</sup> | H P <sup>*2</sup> I               | L P <sup>*2</sup> I | O/I/O/<br>I             | Open        |                         |
| Interrupt                        | IRQ[3:0]/<br>IRL[3:0]/<br>PTH[3:0] | Z                                 | I P <sup>*2</sup>                 | I K <sup>*3</sup>                 | I P <sup>*2</sup>   | I P <sup>*2</sup>       | I/I/O       | Pull-up                 |
|                                  | IRQ4/PTH[4]                        | Z                                 | I P <sup>*2</sup>                 | I K <sup>*3</sup>                 | I P <sup>*2</sup>   | I P <sup>*2</sup>       | I/O         | Pull-up                 |
|                                  | IRQ5/PTE[2]                        | Z                                 | I P <sup>*2</sup>                 | I K <sup>*3</sup>                 | I P <sup>*2</sup>   | I P <sup>*2</sup>       | I/O         | Pull-up                 |
|                                  | NMI                                | I                                 | I                                 | I                                 | I                   | I                       | I           | Pull-up                 |
| Address                          | A[25:19:0]/<br>PTK[7:0]            | O                                 | O P <sup>*2</sup>                 | Z O <sup>*8</sup> K <sup>*3</sup> | O P <sup>*2</sup>   | Z P <sup>*2</sup>       | O/I/O       | Open                    |
|                                  | A[18:1]                            | O                                 | O                                 | Z O <sup>*8</sup>                 | O                   | Z                       | O           | Open                    |

| Category                 | Pin                                  | Reset          |              | Power-Down States |        | Bus                 | I/O          | Handling of Unused Pins |
|--------------------------|--------------------------------------|----------------|--------------|-------------------|--------|---------------------|--------------|-------------------------|
|                          |                                      | Power-on Reset | Manual Reset | Software Standby  | Sleep  | Mastership Released |              |                         |
| Data                     | D[15:0]                              | Z              | Z            | Z                 | IO     | Z                   | IO           | Pull-up                 |
|                          | D[23:16]/<br>PTA[7:0]/<br>PINT[7:0]  | Z              | Z P*2        | Z P*2             | IO P*2 | Z P*2               | IO/IO<br>/I  | Pull-up                 |
|                          | D[31:24]/<br>PTB[7:0]/<br>PINT[15:8] | Z              | Z P*2        | Z P*2             | IO P*2 | Z P*2               | IO/IO<br>/I  | Pull-up                 |
| Bus control              | $\overline{CS0}$                     | H              | O            | ZH*6              | O      | Z                   | O            | Open                    |
|                          | $\overline{CS2}/PTC[3]$              | H              | O P*2        | ZH*6 K*3          | O P*2  | Z P*2               | O/IO         | Open                    |
|                          | $\overline{CS3}/PTC[4]$              | H              | O P*2        | ZH*6 K*3          | O P*2  | Z P*2               | O/IO         | Open                    |
|                          | $\overline{CS4}/PTC[5]$              | H              | O P*2        | ZH*6 K*3          | O P*2  | Z P*2               | O/IO         | Open                    |
|                          | $\overline{CS5A}/PTC[6]$             | Z              | O P*2        | ZH*6 K*3          | O P*2  | Z P*2               | O/IO         | Pull-up                 |
|                          | $\overline{CS5B}/PTD[6]$             | Z              | O P*2        | ZH*6 K*3          | O P*2  | Z P*2               | O/IO         | Pull-up                 |
|                          | $\overline{CS6A}/PTC[7]$             | Z              | O P*2        | ZH*6 K*3          | O P*2  | Z P*2               | O/IO         | Pull-up                 |
|                          | $\overline{CS6B}/PTD[7]$             | Z              | O P*2        | ZH*6 K*3          | O P*2  | Z P*2               | O/IO         | Pull-up                 |
|                          | $\overline{BS}/PTC[0]$               | H              | O P*2        | ZH*6 K*3          | O P*2  | Z P*2               | O/IO         | Open                    |
|                          | $\overline{RASL}/PTD[0]$             | H              | O P*2        | ZH*6 K*3          | O P*2  | ZH*6 P*2            | O/IO         | Open                    |
|                          | $\overline{RASU}/PTD[1]$             | Z              | O P*2        | ZH*6 K*3          | O P*2  | ZH*6 P*2            | O/IO         | Pull-up                 |
|                          | $\overline{CASL}/PTD[2]$             | H              | O P*2        | ZH*6 K*3          | O P*2  | ZH*6 P*2            | O/IO         | Open                    |
|                          | $\overline{CASU}/PTD[3]$             | Z              | O P*2        | ZH*6 K*3          | O P*2  | ZH*6 P*2            | O/IO         | Pull-up                 |
|                          | $\overline{WE0}/DQMLL$               | H              | O            | ZH*6              | O      | Z                   | O/O          | Open                    |
|                          | $\overline{WE1}/DQMLU$               | H              | O            | ZH*6              | O      | Z                   | O/O          | Open                    |
|                          | $\overline{WE2}/DQMUL/PTC[1]$        | H              | O P*2        | ZH*6 K*3          | O P*2  | Z P*2               | O/O/I<br>O   | Open                    |
|                          | $\overline{WE3}/DQMUU/AH/PTC[2]$     | H              | O P*2        | ZH*6 K*3          | O P*2  | Z P*2               | O/O/<br>O/IO | Open                    |
|                          | $\overline{RD}/WR$                   | H              | O            | ZH*6              | O      | Z                   | O            | Open                    |
|                          | $\overline{RD}$                      | H              | O            | ZH*6              | O      | Z                   | O            | Open                    |
|                          | $\overline{CKE}/PTD[4]$              | H              | O P*2        | OK*3              | O P*2  | OP*2                | O/IO         | Open                    |
| $\overline{WAIT}/PTG[7]$ | I                                    | I P*2          | I K*3        | I P*2             | I P*2  | I/IO                | Pull-up      |                         |

| Category                              | Pin                                   | Reset             |                   | Power-Down States   |                    | Bus<br>Mastership<br>Released | I/O       | Handling of<br>Unused Pins |
|---------------------------------------|---------------------------------------|-------------------|-------------------|---------------------|--------------------|-------------------------------|-----------|----------------------------|
|                                       |                                       | Power-on<br>Reset | Manual<br>Reset   | Software<br>Standby | Sleep              |                               |           |                            |
| DMAC                                  | DREQ0/<br>PTH[5]                      | Z                 | Z P <sup>*2</sup> | Z K <sup>*3</sup>   | I P <sup>*2</sup>  | I P <sup>*2</sup>             | I/O       | Pull-up                    |
|                                       | DACK0/<br>PTE[0]                      | V                 | O P <sup>*2</sup> | Z K <sup>*3</sup>   | O P <sup>*2</sup>  | O P <sup>*2</sup>             | O/I/O     | Open                       |
|                                       | TEND0/<br>PTE[3]                      | V                 | O P <sup>*2</sup> | Z K <sup>*3</sup>   | O P <sup>*2</sup>  | O P <sup>*2</sup>             | O/I/O     | Open                       |
|                                       | DREQ1/<br>PTH[6]                      | Z                 | Z P <sup>*2</sup> | Z K <sup>*3</sup>   | I P <sup>*2</sup>  | I P <sup>*2</sup>             | I/O       | Pull-up                    |
|                                       | DACK1/<br>PTE[1]                      | V                 | O P <sup>*2</sup> | Z K <sup>*3</sup>   | O P <sup>*2</sup>  | O P <sup>*2</sup>             | O/I/O     | Open                       |
| Timer                                 | TCLK/PTE[6]                           | V                 | I P <sup>*2</sup> | Z K <sup>*3</sup>   | I P <sup>*2</sup>  | I P <sup>*2</sup>             | I/O       | Open                       |
| SCIF                                  | RxD0/<br>SCPT[0]/IrRX                 | Z                 | Z I <sup>*4</sup> | Z                   | I                  | I                             | I/I/I     | Pull-up                    |
|                                       | TxD0/<br>SCPT[0]/IrTX                 | Z                 | Z O <sup>*5</sup> | Z O <sup>*5</sup>   | O                  | O                             | O/O/<br>O | Open                       |
|                                       | SCK0/<br>SCPT[1]                      | Z                 | Z P <sup>*2</sup> | Z K <sup>*3</sup>   | IO P <sup>*2</sup> | IO P <sup>*2</sup>            | IO/I/O    | Pull-up                    |
|                                       | RxD2/<br>SCPT[2]                      | Z                 | Z I <sup>*4</sup> | Z                   | I                  | I                             | I/I       | Pull-up                    |
|                                       | TxD2/<br>SCPT[2]                      | Z                 | Z O <sup>*5</sup> | Z O <sup>*5</sup>   | O                  | O                             | O/O       | Open                       |
|                                       | SCK2/<br>SCPT[3]                      | Z                 | Z P <sup>*2</sup> | Z K <sup>*3</sup>   | IO P <sup>*2</sup> | IO P <sup>*2</sup>            | IO/I/O    | Pull-up                    |
|                                       | $\overline{\text{RTS}}2$ /<br>SCPT[4] | V                 | Z P <sup>*2</sup> | Z K <sup>*3</sup>   | O P                | O P                           | O/I/O     | Open                       |
| $\overline{\text{CTS}}2$ /<br>SCPT[5] | Z                                     | Z P <sup>*2</sup> | Z K <sup>*3</sup> | I P <sup>*2</sup>   | I P <sup>*2</sup>  | I/O                           | Pull-up   |                            |
| Analog                                | AN[3:0]/<br>PTL[3:0]                  | i                 | Z I <sup>*4</sup> | i                   | I                  | I                             | I/I       | Open                       |
| USB                                   | VBUS/<br>PTM[6]                       | V                 | I P <sup>*2</sup> | Z K <sup>*2</sup>   | I P <sup>*2</sup>  | I P <sup>*2</sup>             | I/O       | Open                       |
|                                       | SUSPND/<br>PTN[0]                     | V                 | O P <sup>*2</sup> | O K <sup>*3</sup>   | O P <sup>*2</sup>  | O P <sup>*2</sup>             | O/I/O     | Open                       |
|                                       | TXENL/<br>PTN[1]                      | V                 | O P <sup>*2</sup> | O K <sup>*3</sup>   | O P <sup>*2</sup>  | O P <sup>*2</sup>             | O/I/O     | Open                       |
|                                       | XVDATA/<br>PTN[2]                     | V                 | I P <sup>*2</sup> | V K <sup>*3</sup>   | I P <sup>*2</sup>  | I P <sup>*2</sup>             | I/O       | Open                       |

| Category                 | Pin                          | Reset          |              | Power-Down States |          | Bus Mastership Released | I/O     | Handling of Unused Pins |
|--------------------------|------------------------------|----------------|--------------|-------------------|----------|-------------------------|---------|-------------------------|
|                          |                              | Power-on Reset | Manual Reset | Software Standby  | Sleep    |                         |         |                         |
| USB                      | TXDMNS/PTN[3]                | V              | 0 P*2        | 0 K*3             | 0 P*2    | 0 P*2                   | O/I/O   | Open                    |
|                          | TXDPLS/PTN[4]                | V              | 0 P*2        | 0 K*3             | 0 P*2    | 0 P*2                   | O/I/O   | Open                    |
|                          | DMNS/PTN[5]                  | V              | 1 P*2        | 1 K*3             | 1 P*2    | 1 P*2                   | I/I/O   | Open                    |
|                          | DPLS/PTN[6]                  | V              | 1 P*2        | 1 K*3             | 1 P*2    | 1 P*2                   | I/I/O   | Open                    |
|                          | EXTAL_USB                    | I              | I            | i                 | I        | I                       | I       | Pull-up                 |
|                          | XTAL_USB                     | O              | O            | O                 | O        | O                       | O       | Open                    |
|                          | D+                           | Z              | 10*9         | Z                 | 10*9     | 10*9                    | 10      | Open                    |
|                          | D-                           | Z              | 10*9         | Z                 | 10*9     | 10*9                    | 10      | Open                    |
| Port                     | NF/PTD[5]                    | I              | I            | Z                 | I        | I                       | I/I     | Pull-up                 |
|                          | PTE[7]                       | V              | P            | K                 | P        | P                       | IO      | Open                    |
|                          | NF/PTJ[7]                    | L              | O            | O                 | O        | O                       | O/O     | Open                    |
|                          | NF/PTJ[6:0]                  | H*13           | O            | O                 | O        | O                       | O/O     | Open                    |
|                          | NF/PTM[4]                    | I              | I            | Z                 | I        | I                       | I/I     | Pull-up                 |
|                          | PTM[3:0]                     | V              | P            | K                 | P        | P                       | IO      | Open                    |
|                          | PTN[7]                       | V              | P            | K                 | P        | P                       | IO      | Open                    |
| Advanced user debugger   | AUDSYNC/PTF[4]               | V/V*10         | 0 P*2        | 0 K*3             | 0 P*2    | 0 P*2                   | O/I/O   | Open                    |
|                          | AUDATA[3:0]/PTF[3:0]/TO[3:0] | V/V*10         | 0 P*2 Z*8    | 0 K*3 Z*8         | 0 P*2    | 0 P*2                   | O/I/O/O | Open                    |
|                          | AUDCK/PTG[4]                 | O/V*10         | 0 P*2        | 0 K*3             | 0 P*2    | 0 P*2                   | O/I/O   | Open                    |
| User debugging interface | TDI/PTG[0]                   | I*11           | 1*11 P*2     | 1*11 K*3          | 1*11 P*2 | 1*11 P*2                | I/I/O   | Open                    |
|                          | TCK/PTG[1]                   | I*11           | 1*11 P*2     | 1*11 K*3          | 1*11 P*2 | 1*11 P*2                | I/I/O   | Open                    |
|                          | TMS/PTG[2]                   | I*11           | 1*11 P*2     | 1*11 K*3          | 1*11 P*2 | 1*11 P*2                | I/I/O   | Open                    |
|                          | TRST/PTG[3]                  | I*11           | 1*11 P*2     | 1*11 K*3          | 1*11 P*2 | 1*11 P*2                | I/I/O   | Must be used            |
|                          | TDO/PTF[5]                   | OZ             | 0 P*2        | Z K*3             | 0 P*2    | 0 P*2                   | O/I/O   | Open                    |
|                          | ASEBRKAK/PTF[6]              | V/V*10         | 0 P*2        | 0 K*3             | 0 P*2    | 0 P*2                   | O/I/O   | Open                    |
|                          | ASEMD0/PTF[7]                | I*11           | 1*11 P*2     | 1 K*3             | 1*11 P*2 | 1*11 P*2                | I/I/O   | Must be used            |



| Category                   | Pin      | Reset             |                 | Power-Down States   |       | Bus<br>Mastership<br>Released | I/O | Handling of<br>Unused Pins |
|----------------------------|----------|-------------------|-----------------|---------------------|-------|-------------------------------|-----|----------------------------|
|                            |          | Power-on<br>Reset | Manual<br>Reset | Software<br>Standby | Sleep |                               |     |                            |
| Power<br>supply<br>voltage | Vcc_USB  | —                 | —               | —                   | —     | —                             | —   | VccQ                       |
|                            | Vss_USB  | —                 | —               | —                   | —     | —                             | —   | VssQ                       |
|                            | Vcc-RTC  | —                 | —               | —                   | —     | —                             | —   | VccQ                       |
|                            | Vss-RTC  | —                 | —               | —                   | —     | —                             | —   | VssQ                       |
|                            | AVcc     | —                 | —               | —                   | —     | —                             | —   | VccQ                       |
|                            | AVss     | —                 | —               | —                   | —     | —                             | —   | VssQ                       |
|                            | VccQ     | —                 | —               | —                   | —     | —                             | —   | VccQ                       |
|                            | VssQ     | —                 | —               | —                   | —     | —                             | —   | VssQ                       |
|                            | Vcc-PLL1 | —                 | —               | —                   | —     | —                             | —   | Vcc <sup>*12</sup>         |
|                            | Vss-PLL1 | —                 | —               | —                   | —     | —                             | —   | Vss <sup>*12</sup>         |
|                            | Vcc-PLL2 | —                 | —               | —                   | —     | —                             | —   | Vcc <sup>*12</sup>         |
|                            | Vss-PLL2 | —                 | —               | —                   | —     | —                             | —   | Vss <sup>*12</sup>         |
|                            | Vcc      | —                 | —               | —                   | —     | —                             | —   | Vcc                        |
| Vss                        | —        | —                 | —               | —                   | —     | —                             | Vss |                            |

#### Legend:

- I : Input state
- i : Input state (however, input is fixed by the internal logic.)
- O : Output state (high or low, undefined)
- L : Low-level output
- H : High-level output
- Z : High impedance (input/output buffer off)
- V : Input/output buffer off, pull-up on
- K : The high-level output or low-level output/input becomes high impedance.
- P : Input or output depending on the register settings.

#### Notes:

1. Depends on clock mode.
2. The state is P when the port function is used.
3. The state is K when the port function is used.
4. The state is I when the port function is used.
5. The state is O when the port function is used.
6. The state is Z or H depending on the register settings.
7. The state is Z or L depending on the register settings.
8. The state is Z or O depending on the register settings.
9. The state is i when the USB is not used.
10. The initial value (power-on reset) changes depending on the input level of the ASEMDO pin. First, this list shows the value when the ASEMDO pin is 0, then the value when the ASEMDO pin is 1.

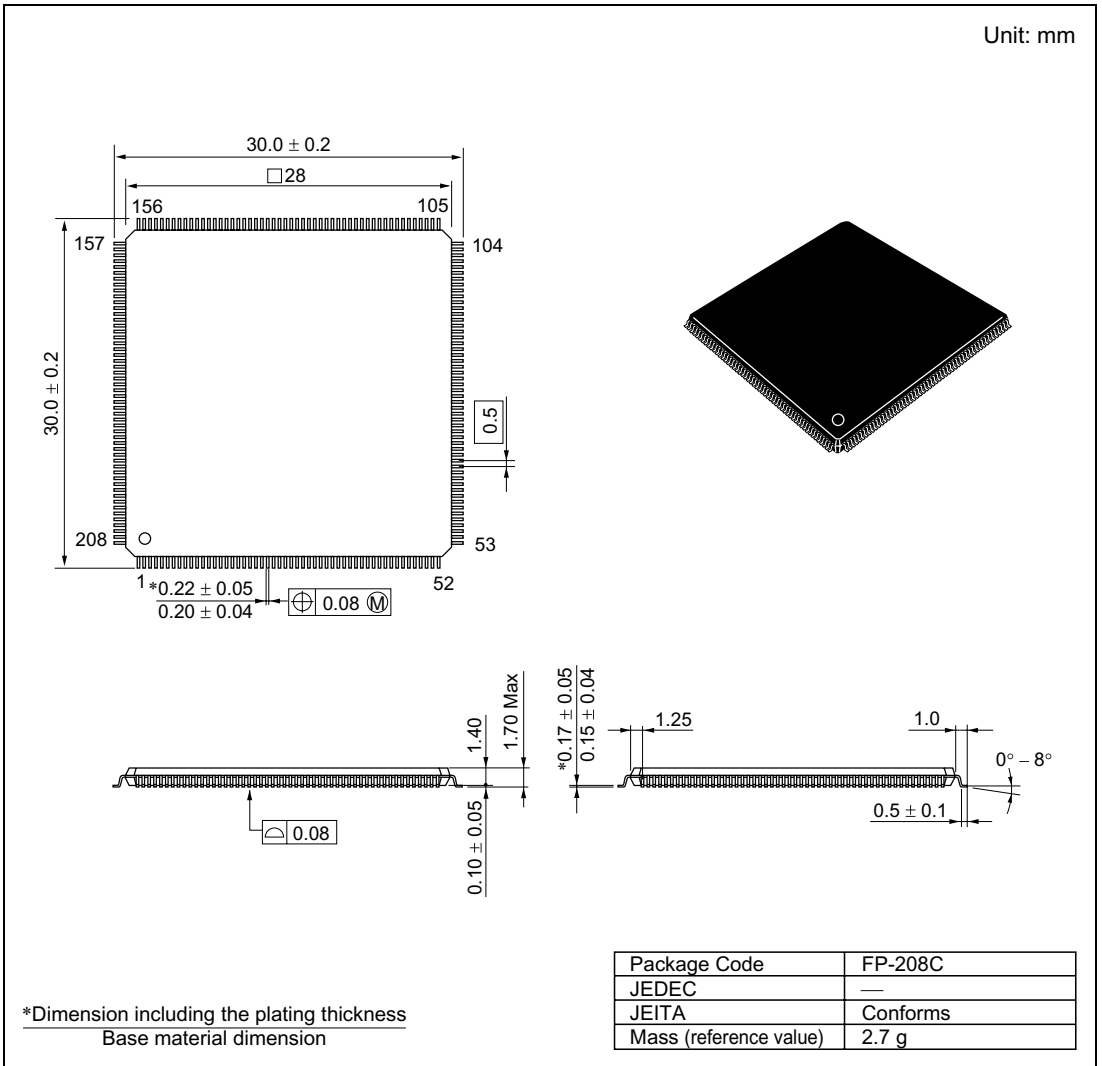
11. Pull-up MOS open
12. To avoid the power friction, Vcc-PLL1, Vcc-PLL2, and Vss-PLL1, Vss-PLL2, and other digital Vcc, Vss should be arranged in three independent patterns from the board power-supply source.
13. The values of PTJ6, PTJ1, and PTJ0 differ during power-on reset and after the power-on reset state is released. They conform to the port J data register value after being switched to port status by the pin function controller (PFC).

|         | During Power-On Reset | After Power-On Reset Release |             |
|---------|-----------------------|------------------------------|-------------|
|         |                       | PTD5/NF = 1                  | PTD5/NF = 0 |
| PTJ6/NF | 1                     | 0                            | 1           |
| PTJ1/NF | 1                     | 1                            | 0           |
| PTJ0/NF | 1                     | 0                            | 1           |

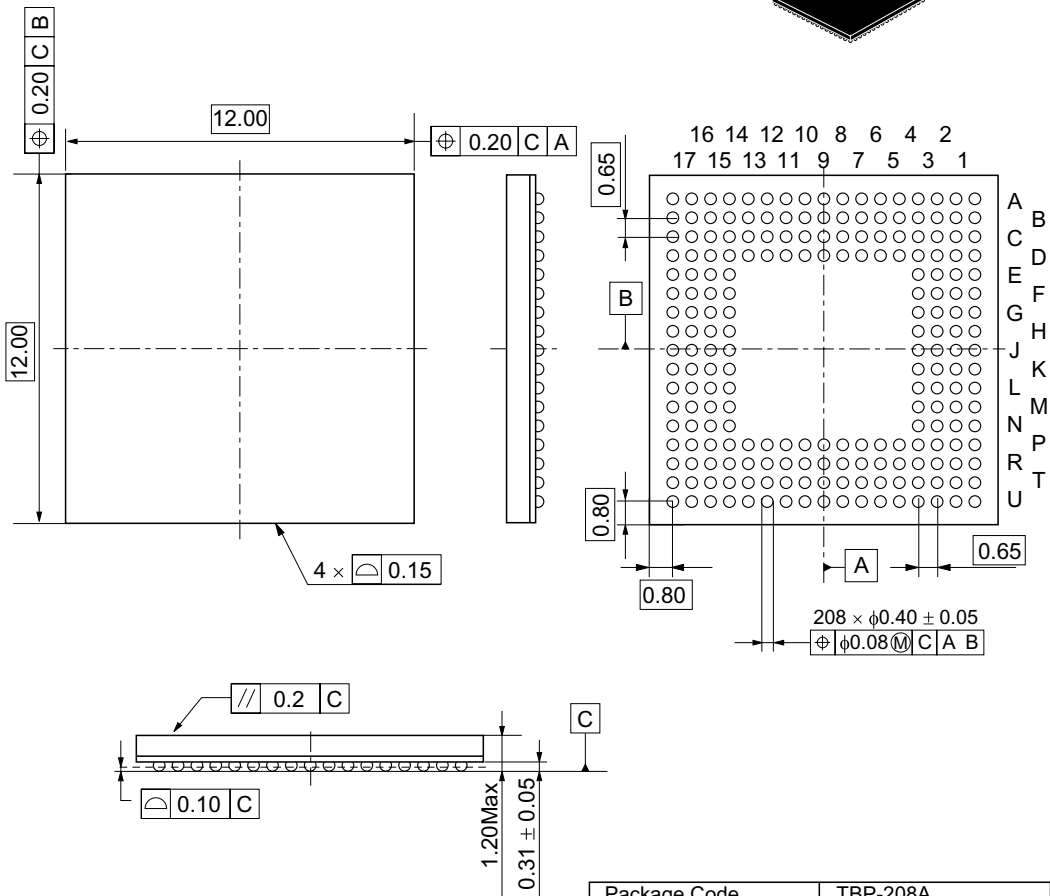
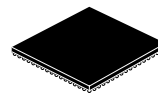
Connect the pull-up pins shown in table A.1 to 3.3 V power through the pull-up resistor.

## B. Package Dimensions

Figures B.1 and B.2 show the package dimensions.



**Figure B.1 Package Dimensions (FP-208C)**



|                        |          |
|------------------------|----------|
| Package Code           | TBP-208A |
| JEDEC                  | —        |
| JEITA                  | —        |
| Mass (reference value) | 0.26 g   |

Figure B.2 Package Dimensions (TBP-208A)

# Index

|                                       |         |                                       |         |
|---------------------------------------|---------|---------------------------------------|---------|
| 16-bit timer pulse unit .....         | 329     | Crystal resonator.....                | 273     |
| 16-Bit/32-Bit Displacement .....      | 41      | Cycle-Steal mode.....                 | 264     |
| A/D conversion time .....             | 534     | Data stage .....                      | 457     |
| A/D converter.....                    | 527     | Data-Array Read.....                  | 105     |
| Absolute Addresses.....               | 41      | Data-Array Write.....                 | 105     |
| Access wait control .....             | 192     | Delayed Branching.....                | 40      |
| Address multiplexing.....             | 200     | Direct memory access controller ..... | 239     |
| Address Space Identifier .....        | 71      | Dual Address mode .....               | 261     |
| Address Transition .....              | 71      | Emulator .....                        | 567     |
| Address-Array Read.....               | 104     | Exception handling.....               | 109     |
| Address-Array Write                   |         | Exception Handling State .....        | 25      |
| (Associative Operation).....          | 104     | External request mode .....           | 265     |
| Address-Array Write                   |         | Fixed mode.....                       | 257     |
| (non-Associative Operation) .....     | 104     | Free-running count .....              | 344     |
| Advanced user debugger .....          | 583     | General Registers.....                | 29      |
| Alarm function .....                  | 371     | Global Base Register (GBR) .....      | 36      |
| Asynchronous Mode .....               | 402     | User debugging interface.....         | 567     |
| Auto-Reload count operation .....     | 319     | I/O ports.....                        | 507     |
| Auto-Request mode.....                | 254     | Infrared data association (IrDA)..... | 431     |
| Big endian .....                      | 38, 180 | Input capture function.....           | 320     |
| Boundary scan mode.....               | 581     | Instruction Length .....              | 40      |
| Buffer operation .....                | 346     | Internal clock (I $\phi$ ).....       | 271     |
| Bulk-in transfer .....                | 462     | Interrupt Controller.....             | 125     |
| Bulk-out transfer .....               | 461     | Interrupt sources .....               | 136     |
| Burst mode .....                      | 265     | Interrupt-in transfer .....           | 463     |
| Burst read .....                      | 212     | Interval timer mode .....             | 291     |
| Burst ROM interface .....             | 231     | IrDA interface.....                   | 431     |
| Bus arbitration.....                  | 235     | IRL Interrupts .....                  | 137     |
| Bus clock (B $\phi$ ) .....           | 271     | IRQ Interrupts.....                   | 136     |
| Bus State Controller .....            | 149     | JTAG.....                             | 567     |
| Byte-selection SRAM interface.....    | 233     | Literal Constant .....                | 41      |
| Clock Pulse Generator.....            | 271     | Little endian.....                    | 39, 180 |
| Clock synchronous mode .....          | 396     |                                       |         |
| Compare match counter operation ..... | 326     |                                       |         |
| Compare match timer .....             | 323     |                                       |         |
| Control Registers.....                | 29      |                                       |         |
| Control transfer .....                | 455     |                                       |         |

|   |                    |             |                         |
|---|--------------------|-------------|-------------------------|
| Load/Store Architecture .....             | 40                 | BASRA.....  | 554, 594, 612, 621      |
| Low-frequency mode .....                  | 228                | BASRB.....  | 555, 594, 612, 621      |
| Low-Power Consumption State .....         | 25                 | BBRA.....   | 544, 594, 612, 621      |
|   |                    | BBRB.....   | 547, 594, 612, 621      |
| MMU.....                                  | 65                 | BDMRB.....  | 547, 594, 611, 621      |
| Module Standby Function.....              | 301                | BDRB.....   | 546, 594, 611, 621      |
| Multi mode.....                           | 533                | BETR.....   | 552, 594, 611, 621      |
| Multiple interrupts.....                  | 147                | BRCR.....   | 549, 594, 611, 621      |
| Multiple Virtual Memory Mode.....         | 71                 | BRDR.....   | 554, 594, 612, 621      |
| Multiply and Accumulate Registers.....    | 33                 | BRSR.....   | 553, 594, 612, 621      |
|   |                    | CCR1.....   | 586, 596, 614           |
| NMI interrupt.....                        | 136                | CCR2.....   | 586, 596, 614           |
|   |                    | CCR3.....   | 586, 596, 614           |
| On-Chip peripheral module interrupts .... | 138                | CHCR.....   | 243, 588, 601, 615      |
| On-Chip peripheral module request modes   |                    | CMCNT.....  | 326, 589, 604, 616      |
| .....                                     | 256                | CMCOR.....  | 326, 589, 604, 616      |
|   |                    | CMCSR.....  | 325, 589, 604, 616      |
| P0/U0 Area.....                           | 27                 | CMNCR.....  | 156, 587, 598, 614      |
| P1 Area.....                              | 27                 | CMSTR.....  | 324, 589, 604, 616      |
| P2 Area.....                              | 27                 | CS0BCR..... | 587, 598, 614           |
| P3 Area.....                              | 27                 | CS0WCR..... | 587, 599, 615           |
| P4 Area.....                              | 27                 | CSnBCR..... | 158                     |
| Peripheral clock (P $\phi$ ).....         | 271                | CSnWCR..... | 161                     |
| Physical Address Space.....               | 70                 | DAR.....    | 242, 588, 601, 615      |
| Pin function controller.....              | 475                | DASTS.....  | 449, 592, 609, 619      |
| PINT interrupt.....                       | 138                | DMAOR.....  | 248, 588, 603, 616      |
| Power-Down modes.....                     | 293                | DMAR.....   | 450, 592, 609, 620      |
| Priority.....                             | 137                | DMARS.....  | 250, 588, 603, 616      |
| Procedure Register.....                   | 33                 | DMATCR..... | 243, 588, 601, 615      |
| Processing Modes.....                     | 26                 | EPDR0i..... | 445, 592, 609, 619      |
| Program Counter.....                      | 29                 | EPDR0o..... | 445, 592, 609, 619      |
| PWM mode.....                             | 348                | EPDR0s..... | 445, 592, 609, 619      |
|   |                    | EPDR1.....  | 446, 592, 609, 619      |
| Realtime clock.....                       | 351                | EPDR2.....  | 446, 592, 609, 619      |
| Receive margin.....                       | 429                | EPDR3.....  | 446, 592, 609, 619      |
| Refreshing.....                           | 225                | EPSTL.....  | 453, 592, 609, 620      |
| Register                                  |                    | EPSZ0o..... | 447, 592, 609, 619      |
| ADCSR.....                                | 530, 594, 611, 621 | EPSZ1.....  | 447, 592, 609, 620      |
| ADDR.....                                 | 530, 594, 611, 621 | EXPEVT..... | 586, 596, 614           |
| BAMRA.....                                | 544, 594, 612, 621 | FCLR.....   | 449, 592, 609, 619      |
| BAMRB.....                                | 546, 594, 612, 621 | FRQCR.....  | 279, 588, 603, 616      |
| BARA.....                                 | 543, 594, 612, 621 | ICR0.....   | 110, 129, 587, 597, 614 |
| BARB.....                                 | 545, 594, 612, 621 | ICR1.....   | 130, 587, 597, 614      |

|         |                    |                 |                    |
|---------|--------------------|-----------------|--------------------|
| ICR2    | 132, 587, 597, 614 | PNDR            | 523, 593, 611, 621 |
| IER0    | 444, 592, 609, 620 | PTEH            | 586, 595, 614      |
| IER1    | 444, 592, 609, 620 | PTEL            | 586, 595, 614      |
| IFR0    | 441, 592, 609, 619 | R64CNT          | 354, 591, 607, 618 |
| IFR1    | 442, 592, 609, 619 | RCR1            | 365, 591, 608, 618 |
| INTEVT  | 586, 596, 614      | RCR2            | 366, 591, 608, 618 |
| INTEVT2 | 586, 596, 614      | RCR3            | 368, 591, 608, 618 |
| IPR     | 128, 586, 597, 614 | RDAYAR          | 362, 591, 607, 618 |
| IRR0    | 133, 587, 597, 614 | RDAYCNT         | 357, 591, 607, 618 |
| IRR1    | 134, 587, 597, 614 | RHRAR           | 360, 591, 607, 618 |
| IRR2    | 135, 587, 597, 614 | RHRCNT          | 355, 591, 607, 618 |
| ISR0    | 443, 592, 609, 620 | RMINAR          | 359, 591, 607, 618 |
| ISR1    | 443, 592, 609, 620 | RMINCNT         | 355, 591, 607, 618 |
| MMUCR   | 586, 595, 614      | RMONAR          | 363, 591, 607, 618 |
| PACR    | 480, 593, 609, 620 | RMONCNT         | 357, 591, 607, 618 |
| PADR    | 508, 593, 610, 620 | RSECAR          | 358, 591, 607, 618 |
| PBCR    | 481, 593, 609, 620 | RSECCNT         | 354, 591, 607, 618 |
| PBDR    | 509, 593, 610, 620 | RTCNT           | 179, 587, 600, 615 |
| PCCR    | 483, 593, 609, 620 | RTCOR           | 179, 587, 600, 615 |
| PCCR    | 483, 593, 609, 620 | RTCSR           | 177, 587, 600, 615 |
| PCCR    | 483, 593, 609, 620 | RWKAR           | 361, 591, 607, 618 |
| PCCR    | 483, 593, 609, 620 | RWKCNT          | 356, 591, 607, 618 |
| PCCR    | 483, 593, 609, 620 | RYRAR           | 364, 591, 608, 618 |
| PCCR    | 483, 593, 609, 620 | RYRCNT          | 358, 591, 607, 618 |
| PCCR    | 483, 593, 609, 620 | SAR             | 242, 588, 601, 615 |
| PCCR    | 483, 593, 609, 620 | SCBRR           | 395, 591, 608, 619 |
| PCCR    | 483, 593, 609, 620 | SCFCR           | 398, 591, 608, 619 |
| PCCR    | 483, 593, 609, 620 | SCFDR           | 401, 591, 608, 619 |
| PCCR    | 483, 593, 609, 620 | SCFER           | 389, 591, 608, 619 |
| PCCR    | 483, 593, 609, 620 | SCFRDR          | 380, 591, 608, 619 |
| PCCR    | 483, 593, 609, 620 | SCFTDR          | 381, 591, 608, 619 |
| PCCR    | 483, 593, 609, 620 | SCPCR           | 503, 593, 610, 620 |
| PCCR    | 483, 593, 609, 620 | SCPDR           | 525, 593, 611, 621 |
| PCCR    | 483, 593, 609, 620 | SCRSR           | 380                |
| PCCR    | 483, 593, 609, 620 | SCSCR           | 385, 591, 608, 619 |
| PCCR    | 483, 593, 609, 620 | SCSMR (SCIF)    | 381, 591, 608, 619 |
| PCCR    | 483, 593, 609, 620 | SCSMR_Ir (IrDA) | 432, 592, 609, 619 |
| PCCR    | 483, 593, 609, 620 | SCSSR           | 390, 591, 608, 619 |
| PCCR    | 483, 593, 609, 620 | SCTDSR          | 401, 591, 608, 619 |
| PCCR    | 483, 593, 609, 620 | SCTSR           | 380                |
| PCCR    | 483, 593, 609, 620 | SDBPR           | 569                |
| PCCR    | 483, 593, 609, 620 | SDBSR           | 570                |
| PCCR    | 483, 593, 609, 620 | SDCR            | 174, 587, 600, 615 |

|                                      |                    |   |     |
|--------------------------------------|--------------------|---|-----|
| SDID .....                           | 577                | Save Status Register (SSR) .....                  | 36  |
| SDID/SDIDH .....                     | 594, 613, 621      | Scan mode .....                                   | 534 |
| SDIDL .....                          | 594, 613, 621      | SDRAM interface .....                             | 198 |
| SDIR .....                           | 569, 594, 613, 621 | Sequential break .....                            | 559 |
| SDMR2 .....                          | 229, 587, 601, 615 | Serial communication interface with FIFO<br>..... | 375 |
| SDMR3 .....                          | 230, 587, 601, 615 | Setup stage .....                                 | 456 |
| STBCR .....                          | 296, 588, 603, 616 | Shadow space .....                                | 155 |
| STBCR2 .....                         | 297, 588, 603, 616 | Signal-Source impedance .....                     | 538 |
| STBCR3 .....                         | 298, 588, 603, 616 | Single Address mode .....                         | 262 |
| TCNT (TMU) .....                     | 317, 589, 603, 616 | Single mode .....                                 | 533 |
| TCNT (TPU) .....                     | 341, 589, 605, 617 | Single Virtual Memory Mode .....                  | 71  |
| TCOR .....                           | 317, 589, 603, 616 | Sleep mode .....                                  | 299 |
| TCPR .....                           | 317, 589, 604, 616 | Software standby mode .....                       | 300 |
| TCR (TMU) .....                      | 313, 589, 603, 616 | Stall operations .....                            | 465 |
| TCR (TPU) .....                      | 334, 589, 605, 617 | Status Register (SR) .....                        | 35  |
| TEA .....                            | 586, 597, 614      | Status stage .....                                | 459 |
| TGR .....                            | 341, 589, 605, 617 | Synonym problem .....                             | 83  |
| TIER .....                           | 339, 589, 605, 617 | System Registers .....                            | 29  |
| TIOR .....                           | 338, 589, 605, 617 | T Bit .....                                       | 40  |
| TMDR .....                           | 337, 589, 605, 617 | TAP controller .....                              | 578 |
| TRA .....                            | 586, 596, 614      | Timer Unit .....                                  | 309 |
| TRG .....                            | 448, 592, 609, 619 | TRAPA Exception Register .....                    | 110 |
| TSR .....                            | 340, 589, 605, 617 | USB function module .....                         | 437 |
| TSTR (TMU) .....                     | 312, 589, 603, 616 | USB standard commands .....                       | 464 |
| TSTR (TPU) .....                     | 341, 589, 605, 617 | User break controller .....                       | 541 |
| TTB .....                            | 586, 595, 614      | User break exception processing .....             | 555 |
| UCLKCR .....                         | 281, 588, 603, 616 | Vector Base Register (VBR) .....                  | 37  |
| WTCNT .....                          | 286, 588, 603, 616 | Virtual Address Space .....                       | 67  |
| WTCSR .....                          | 287, 588, 603, 616 | Watchdog timer .....                              | 285 |
| XVERCR .....                         | 453, 592, 609, 620 | Watchdog timer mode .....                         | 291 |
| Reset State .....                    | 25                 |   |     |
| Round-Robin mode .....               | 258                |   |     |
| RTC crystal oscillator circuit ..... | 372                |   |     |
| Save Program Counter (SPC) .....     | 36                 |   |     |



---

## **SH7705 Group Hardware Manual**

Publication Date: 1st Edition, November 2002  
Rev.2.00, September 19, 2003

Published by: Sales Strategic Planning Div.  
Renesas Technology Corp.

Edited by: Technical Documentation & Information Department  
Renesas Kodaira Semiconductor Co., Ltd.

---

Renesas Technology Corp. Sales Strategic Planning Div. Nippon Bldg., 2-6-2, Ohte-machi, Chiyoda-ku, Tokyo 100-0004, Japan

---



## RENESAS SALES OFFICES

<http://www.renesas.com>

### **Renesas Technology America, Inc.**

450 Holger Way, San Jose, CA 95134-1368, U.S.A  
Tel: <1> (408) 382-7500 Fax: <1> (408) 382-7501

### **Renesas Technology Europe Limited.**

Dukes Meadow, Millboard Road, Bourne End, Buckinghamshire, SL8 5FH, United Kingdom  
Tel: <44> (1628) 585 100, Fax: <44> (1628) 585 900

### **Renesas Technology Europe GmbH**

Dornacher Str. 3, D-85622 Feldkirchen, Germany  
Tel: <49> (89) 380 70 0, Fax: <49> (89) 929 30 11

### **Renesas Technology Hong Kong Ltd.**

7/F., North Tower, World Finance Centre, Harbour City, Canton Road, Hong Kong  
Tel: <852> 2265-6688, Fax: <852> 2375-6836

### **Renesas Technology Taiwan Co., Ltd.**

FL 10, #99, Fu-Hsing N. Rd., Taipei, Taiwan  
Tel: <886> (2) 2715-2888, Fax: <886> (2) 2713-2999

### **Renesas Technology (Shanghai) Co., Ltd.**

26/F., Ruijin Building, No.205 Maoming Road (S), Shanghai 200020, China  
Tel: <86> (21) 6472-1001, Fax: <86> (21) 6415-2952

### **Renesas Technology Singapore Pte. Ltd.**

1, Harbour Front Avenue, #06-10, Keppel Bay Tower, Singapore 098632  
Tel: <65> 6213-0200, Fax: <65> 6278-8001

# SH7705 Group Hardware Manual



**Renesas Technology Corp.**  
2-6-2, Ote-machi, Chiyoda-ku, Tokyo, 100-0004, Japan

REJ09B0082-02000  
(ADE-602-276)