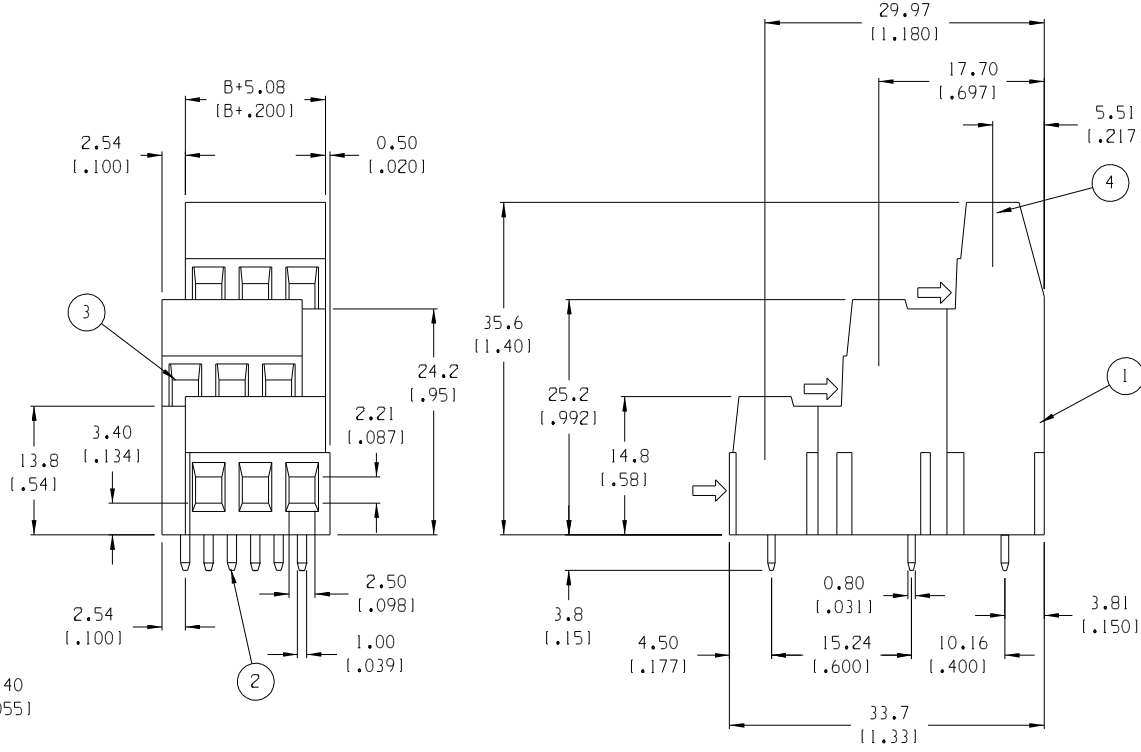
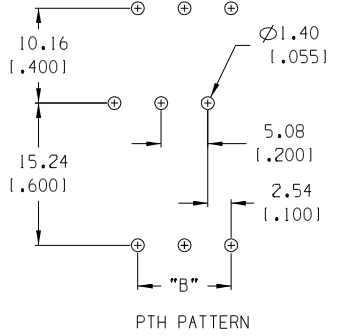


AUX. VIEW  
SCALE 1:1  
9 CIRCUIT SHOWN



NO. OF CIRCUITS "XX"	DIM. "B"	MATERIAL NO.
06	5.08 [1.200]	39880-0906
09	10.16 [1.400]	39880-0909
12	15.24 [1.600]	39880-0912
15	20.32 [1.800]	39880-0915
18	25.40 [1.000]	39880-0918
21	30.48 [1.200]	39880-0921
24	35.56 [1.400]	39880-0924
27	40.64 [1.600]	39880-0927
30	45.72 [1.800]	39880-0930
33	50.80 [2.000]	39880-0933
36	55.88 [2.200]	39880-0936
39	60.96 [2.400]	39880-0939
42	66.04 [2.600]	39880-0942
45	71.12 [2.800]	39880-0945
48	76.20 [3.000]	39880-0948
51	81.28 [3.200]	39880-0951
54	86.36 [3.400]	39880-0954
57	91.44 [3.600]	39880-0957
60	96.52 [3.800]	39880-0960
63	101.60 [4.000]	39880-0963
66	106.68 [4.200]	39880-0966
69	111.76 [4.400]	39880-0969
72	116.84 [4.600]	39880-0972

- NOTES:
1. MATERIAL: SEE TABLE
  2. FINISHES: SEE TABLE
  3. PRODUCT SPECIFICATION: NOT REQUIRED
  4. PACKAGING: NOT REQUIRED
  5. MATES WITH: NONE
  6. "XX" REFERS TO THE QUANTITY OF CIRCUITS.



PROJECT NO. N/A		SHT	REV
DIMENSIONS:		REVISE ON CAD ONLY	
<input type="checkbox"/> mm	<input checked="" type="checkbox"/> INCH	<input type="checkbox"/> mm ONLY	

ITEM	QTY.	DESCRIPTION	MATERIAL	FINISH
4	XX	SCREW, M3	BRONZE	NICKEL
3	XX	CAGE CLAMP	BRASS	NICKEL
2	XX	TERMINAL	PHOSPHOR BRONZE	HOT TIN DIP
1	1	INSULATOR, 3 LEVEL	POLYAMIDE	BLACK

EC NO. ECN# 3963 DRWN: CY 12-23-04 CHK: [ ] APPR: [ ]	QUALITY SYMBOLS MAJOR [ ] CRITICAL [ ] SPC [ ] S [ ]	GENERAL TOLERANCES: (UNLESS SPECIFIED) mm INCH 4 PLACES ±.0015 3 PLACES ±.038 ±.005 2 PLACES ±.13 ±.01 1 PLACE ±.3	SCALE 2:1 DESIGN UNITS <input type="checkbox"/> mm <input checked="" type="checkbox"/> INCH DRAWN BY & DATE R. KEMP 12-4-01 CHECKED BY & DATE P. WALTZ 12-6-01 APPROVED BY & DATE L. ROTHHAUS 12-6-01	THIRD ANGLE PROJECTION TITLE: 5.08mm [1.200"] EUROSTYLE MID, THREE LEVEL FIXED BLOCK
		ANGULAR: ±1° DRAFT WHERE APPLICABLE MUST REMAIN WITHIN DIMENSIONS	CAD FILENAME 8832XX.PRT THIS DRAWING CONTAINS INFORMATION THAT IS PROPRIETARY TO MOLEX INCORPORATED AND SHOULD NOT BE USED WITHOUT WRITTEN PERMISSION.	MOLEX INCORPORATED MATERIAL NO. SEE CHART DRAWING NO. SD-39880-009 SHEET NO. 1 OF 1