

# LED VG25-3020e

Lamp Class: G25 Clear Glass



## Product Description

**LED VG25-3020e** delivers superior brightness, valuable energy savings and long lasting performance. LED Filaments along with heat-sink absence unmistakably mimic traditional bulb styles while providing greater light distribution. This G25 Class LED bulb comes in 2700K CCT (*Warm White*) for charming and hospitable environments.



Clear Glass



**Estimated Energy Cost: \$0.84 per year**

\*Note: Design, features and specifications subject to change without notice. Some features may not be available on all models. Please visit [www.eurilighting.com](http://www.eurilighting.com) or call 1-888-743-5766 for more information.

## Specifications

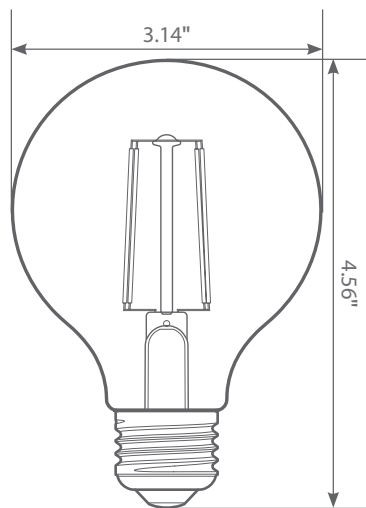
Input Power	Input Voltage	Lumen Output	Beam Angle	Center Beam	CCT
7 W	120 V	800 lm	320°	N/A	2700 K

CRI	Luminous Efficacy	Power Factor	Input Current	Base/Cap	Lamp Lifespan
80	114 lm/W	0.7	0.075 A	E26	15,000 Hrs.

## Product Features & Benefits

- Dimmable
- Energy Efficient
- Enclosed Fixture Suitable
- Wet Rated

## Product Dimensions



## Product Photometric Data

