

# UM 72-SEFE/R - Lateral element



2959353

<https://www.phoenixcontact.com/us/products/2959353>

Please be informed that the data shown in this PDF document is generated from our online catalog. Please find the complete data in the user documentation. Our general terms of use for downloads are valid.

Side element, right, with foot, width: 5 mm, width: 72 mm, for mounting on NS 32 or NS 35/7.5



## Your advantages

- Easy installation
- Flexible size and shape
- Inexpensive as a result of reducing the number of separate housing parts

## Commercial data

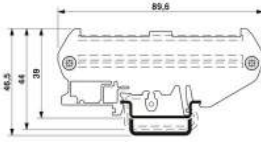
|                                      |                     |
|--------------------------------------|---------------------|
| Item number                          | 2959353             |
| Packing unit                         | 1 pc                |
| Minimum order quantity               | 10 pc               |
| Sales key                            | AC13                |
| Product key                          | ACHDBA              |
| Catalog page                         | Page 756 (C-1-2013) |
| GTIN                                 | 4017918104436       |
| Weight per piece (including packing) | 6.65 g              |
| Weight per piece (excluding packing) | 6 g                 |
| Customs tariff number                | 39269097            |
| Country of origin                    | PL                  |

## Technical data

### Product properties

|                              |                               |
|------------------------------|-------------------------------|
| Product type                 | Panel mounting base side part |
| Product family               | UM72                          |
| Type                         | Lateral element (right)       |
| Housing type                 | Press-drawn section housings  |
| Ventilation openings present | no                            |
| Housing series               | UM                            |

### Dimensions

|                     |   |
|---------------------|---|
| Dimensional drawing |  |
| Width               | 5 mm  |
| Height              | 89.6 mm   |
| Depth               | 37.6 mm   |

### Material specifications

|  |              |
|--|--------------|
| Color                                  | green (6021) |
| Flammability rating according to UL 94 | V0           |
| Surface characteristics                | untreated    |
| Housing material                       | Polyamide    |

### Environmental and real-life conditions

#### Ambient conditions

|   |  |
|---|--|
| Ambient temperature (operation)         | -40 °C ... 105 °C (depending on power dissipation) |
| Ambient temperature (storage/transport) | -40 °C ... 55 °C                                   |
| Ambient temperature (assembly)          | -5 °C ... 100 °C                                   |
| Relative humidity (storage/transport)   | 80 %   |

### Mounting

|               |                   |
|---------------|-------------------|
| Mounting type | DIN rail mounting |
|---------------|-------------------|


# UM 72-SEFE/R - Lateral element



2959353

<https://www.phoenixcontact.com/us/products/2959353>

## Approvals

 To download certificates, visit the product detail page: <https://www.phoenixcontact.com/us/products/2959353>



**EAC**

Approval ID: B.01687



**UL Recognized**

Approval ID: FILE E 240868

# UM 72-SEFE/R - Lateral element



2959353

<https://www.phoenixcontact.com/us/products/2959353>

## Classifications

### ECLASS

|             |          |
|-------------|----------|
| ECLASS-11.0 | 27182701 |
| ECLASS-13.0 | 27190602 |

### ETIM

|          |          |
|----------|----------|
| ETIM 8.0 | EC002779 |
|----------|----------|

### UNSPSC

|             |          |
|-------------|----------|
| UNSPSC 21.0 | 31261500 |
|-------------|----------|

# UM 72-SEFE/R - Lateral element



2959353

<https://www.phoenixcontact.com/us/products/2959353>

## Environmental product compliance

|            |   |
|------------|---|
| China RoHS | Environmentally friendly use period: unlimited = EFUP-e |
|            | No hazardous substances above threshold values          |

Phoenix Contact 2023 © - all rights reserved  
<https://www.phoenixcontact.com>

Phoenix Contact USA  
586 Fulling Mill Road  
Middletown, PA 17057, United States  
(+717) 944-1300  
[info@phoenixcon.com](mailto:info@phoenixcon.com)