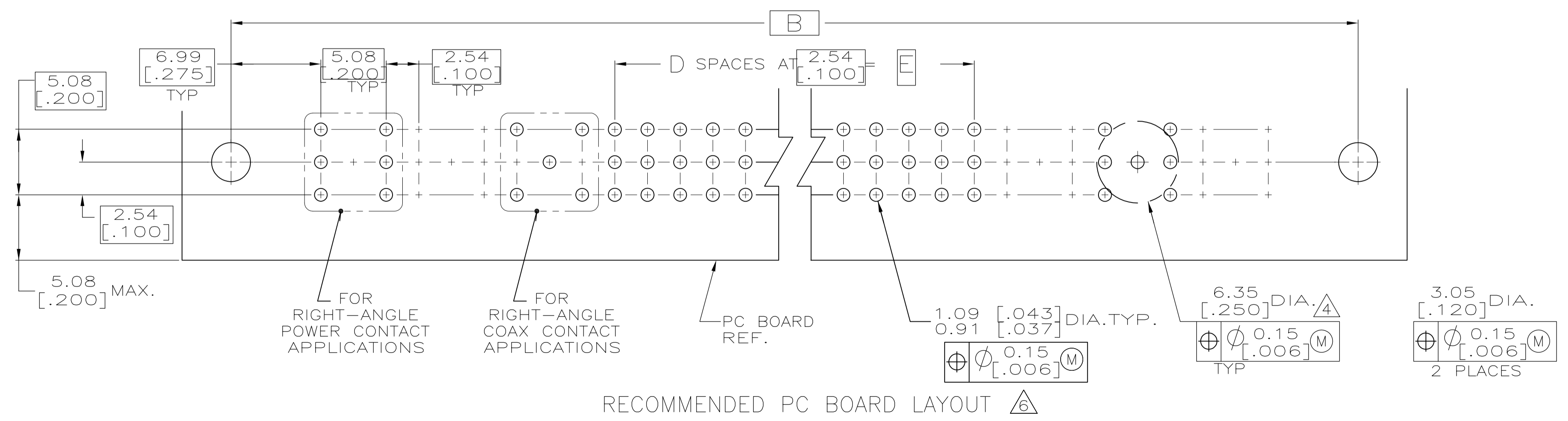
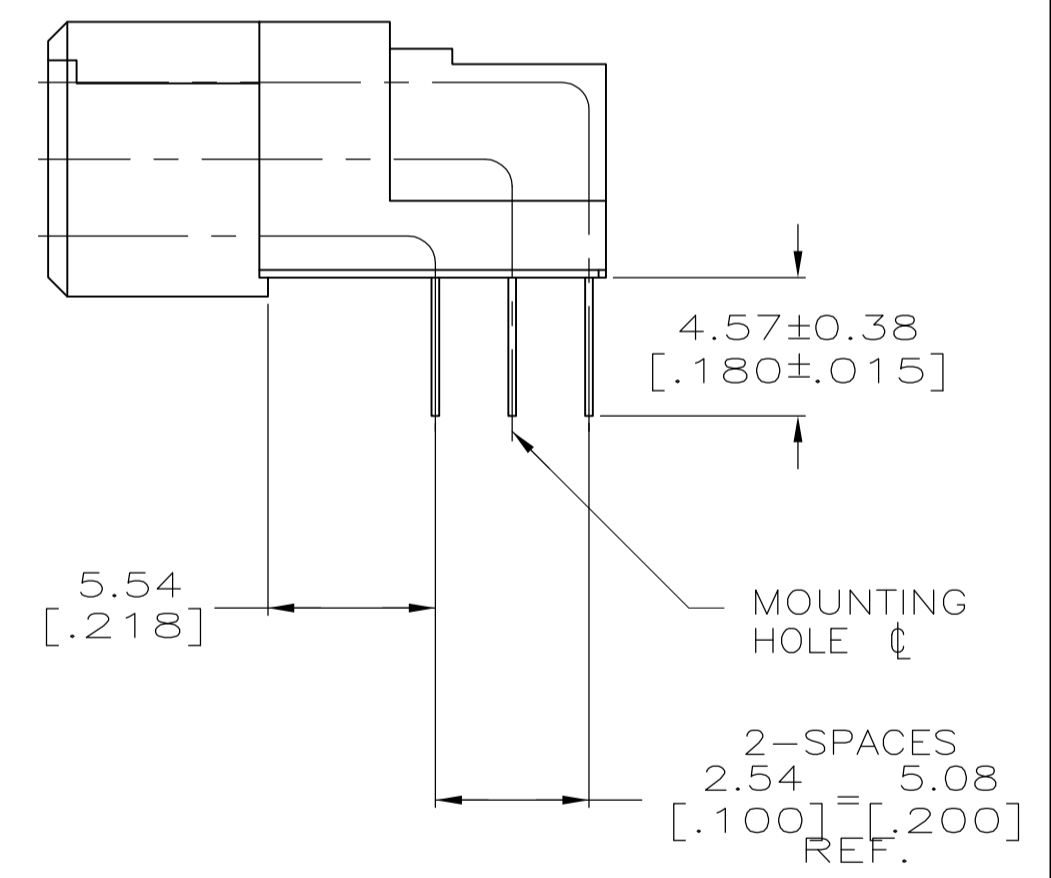
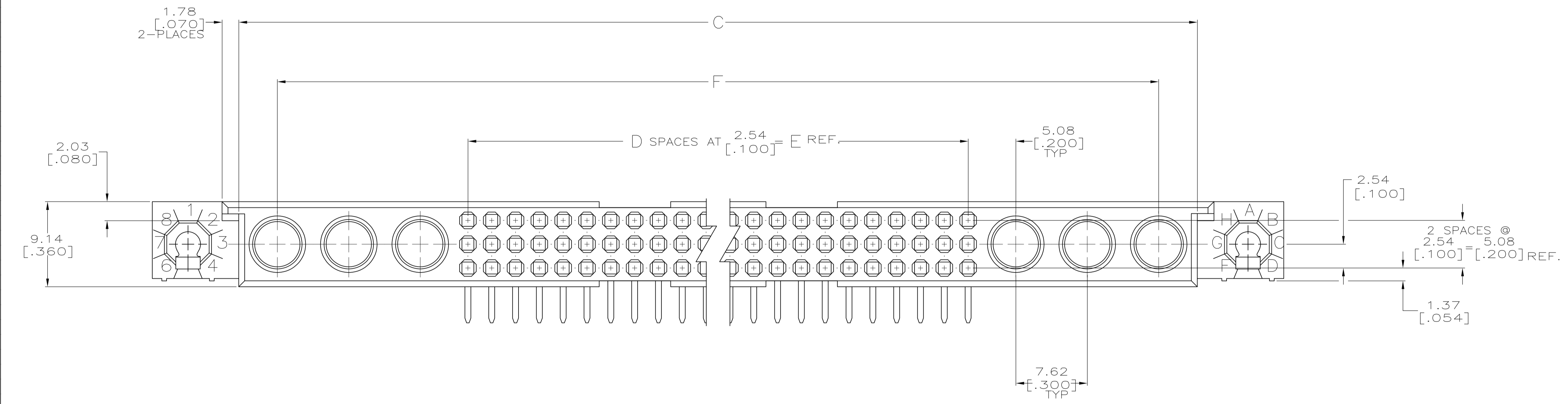
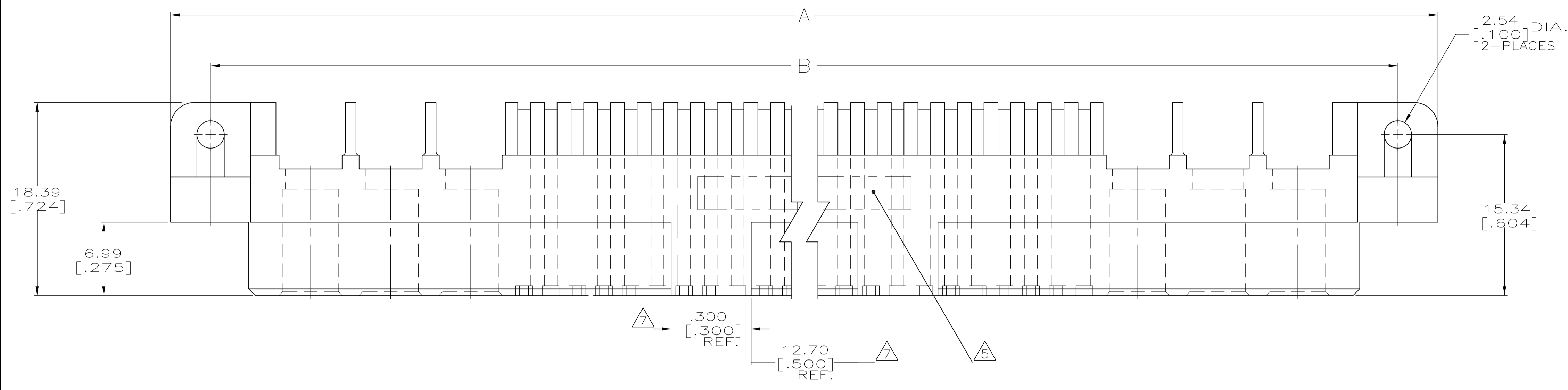


REVISIONS					
P	LTR	DESCRIPTION	DATE	DNW	APVD
S		REVISED PER ECO-15-015252	13NOV15	BJ	FY



RECOMMENDED PC BOARD LAYOUT

THIS DRAWING IS A CONTROLLED DOCUMENT.		DIN R K SEIFRIED 12/19/85	TE Connectivity
		CHK G A STEINHAUER 12/19/85	
DIMENSIONS: mm [INCHES]		APVD NAME	
TOLERANCES UNLESS OTHERWISE SPECIFIED:		PRODUCT SPEC	
0 PLC ± -		APPLICATION SPEC	
1 PLC ± -		SIZE CAGE CODE DRAWING NO	
2 PLC ± -		WEIGHT	
3 PLC ± .005		A1 00779 C=532901	
4 PLC ± -		CUSTOMER DRAWING	
ANGLES ± -		SCALE 4:1 SHEET 1 OF 2 REV S	

REVISIONS				
P	LTR	DESCRIPTION	DATE	APPV
-		SEE SHEET 1	-	-

- ① HOUSING MATERIAL: POLYPHENYLENE SULFIDE, COLOR: NATURAL (BROWN).
- ② CONTACT MATERIAL: BERYLLIUM COPPER.
- ③ FINISH:
MATING AREA: MEETS THE PERFORMANCE REQUIREMENTS OF PRODUCT SPECIFICATION 108-9063; BASED ON TELCORDIA DR-1217-CORE APPLICATIONS IN UNCONTROLLED ENVIRONMENTS.
SOLDER TAILS AREA: TIN-LEAD PLATED.
- ④ 6.35 [.250] DIA HOLE REQUIRED WHEN USING POWER CONTACT ON WIRE.
- ⑤ AMP, AMP PART NUMBER & DATE CODE. INK-STAMPED (WHITE) THIS APPROX AREA.
- ⑥ SOLDER TAILS MUST FIT HOLE PATTERN AS SHOWN ON THE RECOMMENDED P.C. BOARD LAYOUT.
- ⑦ QUANTITIES OF VOID CORING ARE DEPENDENT ON THE POSITION SIZE OF THE HOUSING.
- ⑧ OBSOLETE PARTS: OBSOLETE CIS STREAMLINING PER D.RENAUD/D.SINISI

OBSOLETE	③	2	2	55.88 [2.200]	30.48 [1.200]	12	64.11 [2.524]	74.93 [2.950]	82.55 [3.250]	39	1-532901-2
OBSOLETE											1-532901-1
OBSOLETE										87	1-532901-0
OBSOLETE											532901-9
OBSOLETE											532901-8
OBSOLETE											532901-7
OBSOLETE											532901-6
OBSOLETE											532901-5
OBSOLETE	③	1	1	182.88 [7.200]	172.72 [6.800]	68	191.11 [7.524]	201.93 [7.950]	209.55 [8.250]	207	532901-4
	③	3	3	73.66 [2.900]	33.02 [1.300]	13	81.89 [3.224]	92.71 [3.650]	100.33 [3.950]	42	532901-3
⑧ OBSOLETE	③	2	2	73.66 [2.900]	48.26 [1.900]	19	81.89 [3.224]	92.71 [3.650]	100.33 [3.950]	60	532901-2
OBSOLETE											532901-1
		FINISH	POWER PORTS NUMBER END	POWER PORTS LETTER END	F	E	D	C	B	A	POSN PART NUMBER

THIS DRAWING IS A CONTROLLED DOCUMENT.

DIMENSIONS: mm [INCHES]	TOLERANCES UNLESS OTHERWISE SPECIFIED:	DIN R K SEIFRIED 12/9/85	NAME G A STEINHAUER
0 PLC ± -	1 PLC ± -	CHK 12/9/85	APPROV G A STEINHAUER
2 PLC ± -	3 PLC ± .005	PRODUCT SPEC	
4 PLC ± -	ANGLES ± -	APPLICATION SPEC	
MATERIAL	FINISH	SIZE A1	CAGE CODE 00779
		DRAWING NO 532901	RESTRICTED TO
		WEIGHT	CUSTOMER DRAWING
		SCALE 4:1	SHEET 2 OF 2
			REV S

RECEPTACLE ASSEMBLY, HDI SERIES-100 HYBRID, 3-ROW

STE TE Connectivity