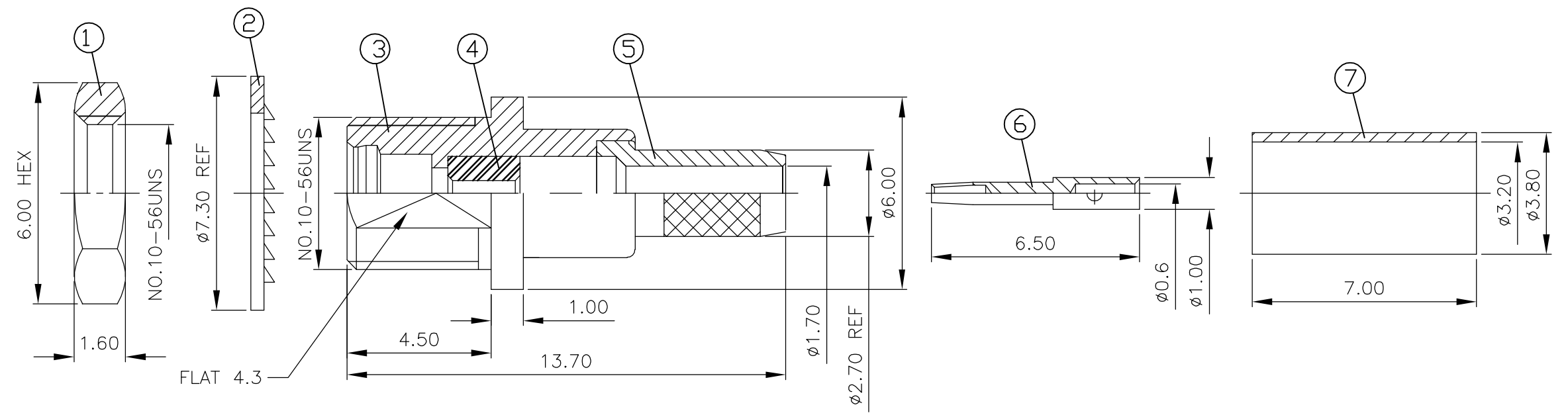


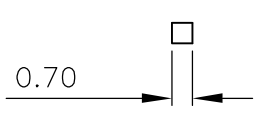
THIS DRAWING IS UNPUBLISHED. RELEASED FOR PUBLICATION NOV ,2003.  
 © COPYRIGHT 2003 BY TYCO ELECTRONICS CORPORATION. ALL RIGHTS RESERVED.

LOC	DIST	REVISIONS			
P	LTR	DESCRIPTION	DATE	DWN	APVD
E	B	B	EBD0-0248-03	12NOV03	JMS FWK

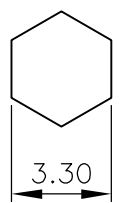
- 1 SINGLE PACK IN ACCORDANCE WITH SPEC 107-3275
- 2 100 TRAY PACK IN ACCORDANCE WITH SPEC 107-3275
- 3 0.76µm Au PLATING OVER 1.27µm Ni PLATING OVER 0.76µm Cu PLATING
- 4 0.08µm Au PLATING OVER 1.27µm Ni PLATING OVER 0.76µm Cu PLATING
- 5 HANDTOOL 9-1478240-0
- 6 DIE SET 9-1478248-0



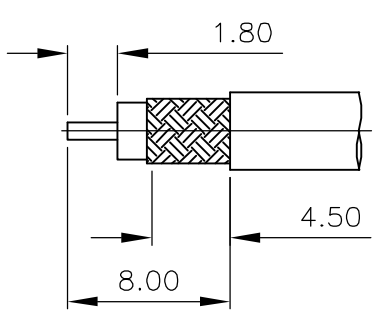
RECOMMENDED CENTRE CONTACT A/F SQR



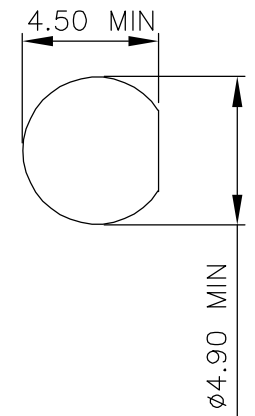
RECOMMENDED CRIMP SLEEVE A/F HEX



RECOMMENDED CABLE STRIPPING DIM'S



RECOMMENDED MOUNTING HOLE



QTY	QTY	MATERIAL	DESCRIPTION	ITEM
1	1	BRASS	CRIMP SLEEVE	7
1	1	BERYLLIUM COPPER	SOCKET	6
1	1	BRASS	BODY	5
1	1	PTFE	INSULATOR	4
1	1	BRASS	BODY	3
1	1	BRASS	WASHER	2
1	1	BRASS	NUT	1
6--0	1--0	MATERIAL	DESCRIPTION	ITEM
2	1			

THIS DRAWING IS A CONTROLLED DOCUMENT.		DWN J.SANDWELL 12NOV03	Tyco Electronics Corporation Stanmore, Middlesex, HA7 4RS	
DIMENSIONS: MM		CHK S.PARLOW 12NOV03		
TOLERANCES UNLESS OTHERWISE SPECIFIED:		APVD F.WHEELER-KING 12NOV03	NAME MMCX STRAIGHT BULKHEAD JACK CRIMP RG174 50 OHMS	
0 PLC ± -		PRODUCT SPEC 108-3462	SIZE CAGE CODE DRAWING NO RESTRICTED TO	
1 PLC ± -		APPLICATION SPEC 411-3278	A3 00779 C-1634008	
2 PLC ± -		WEIGHT -	SCALE NTS SHEET 1 OF 1 REV B	
3 PLC ± -		CUSTOMER DRAWING		
4 PLC ± -				
ANGLES ± -				
FINISH SEE TABLE				