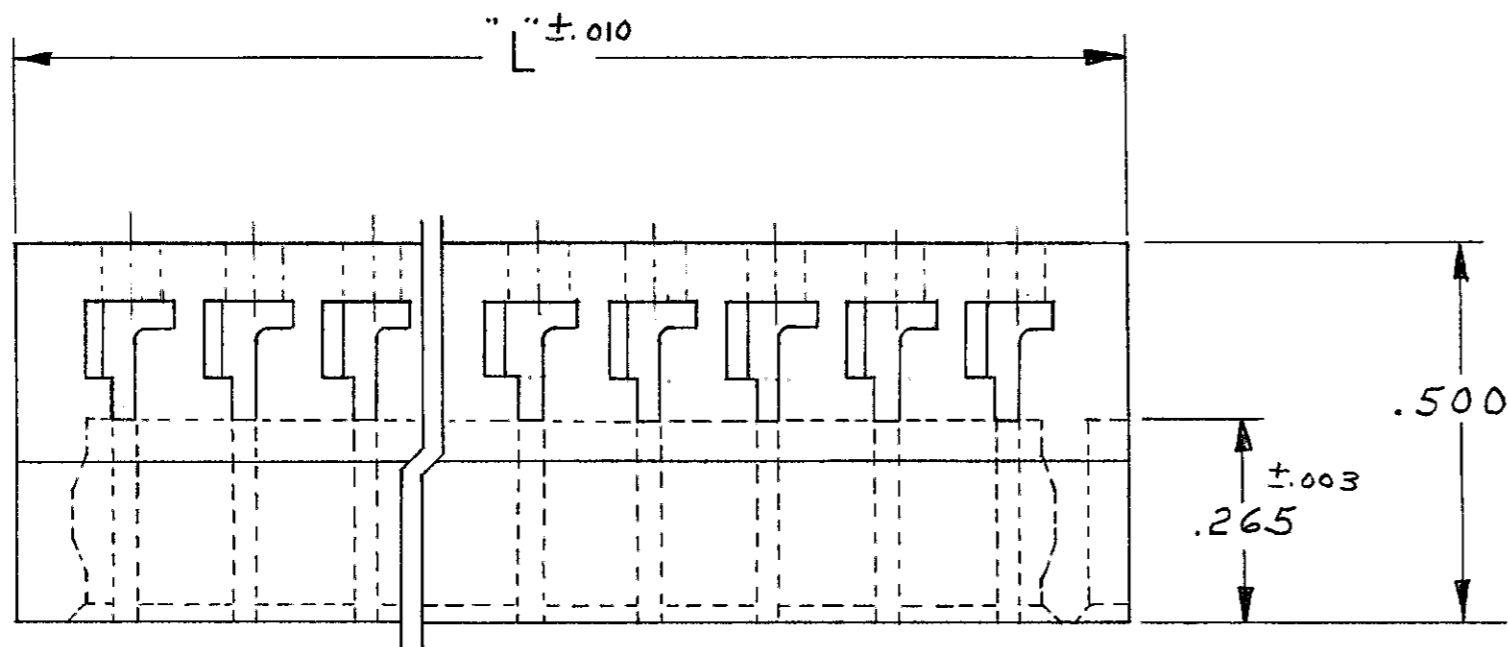
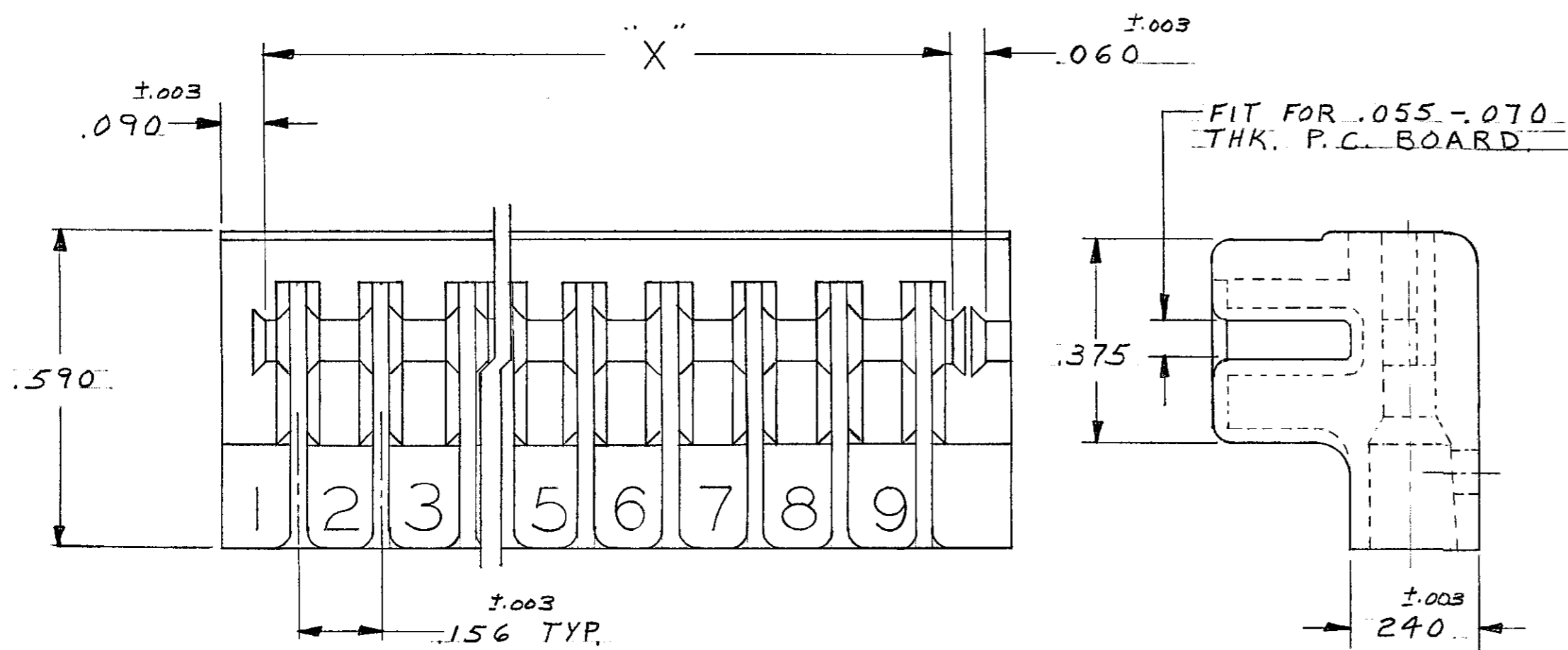


© COPYRIGHT 1976 BY AMP INCORPORATED, HARRISBURG, PA. ALL INTERNATIONAL RIGHTS RESERVED. AMP INCORPORATED PRODUCTS COVERED BY U. S. AND FOREIGN PATENTS AND/OR PATENTS PENDING.

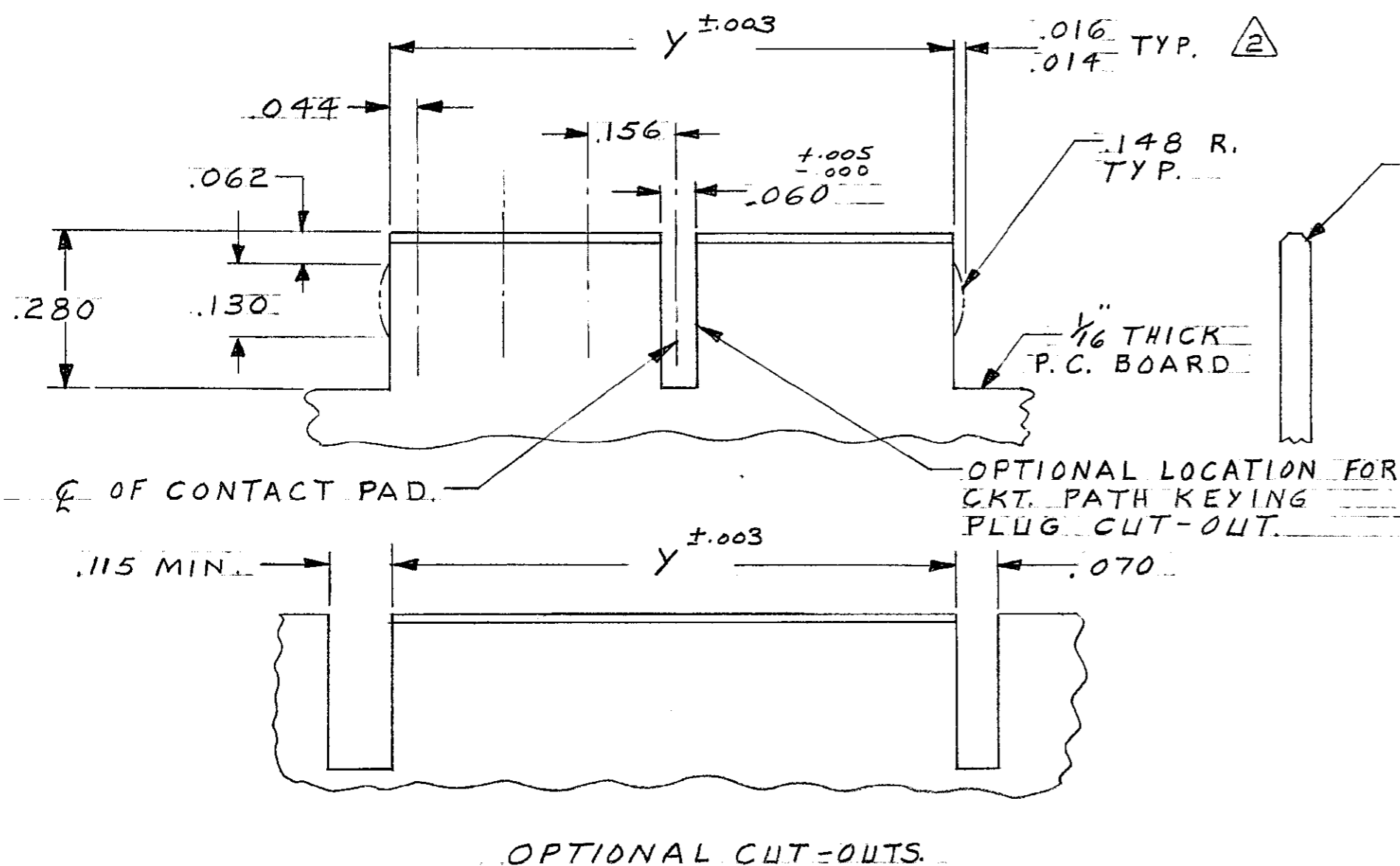
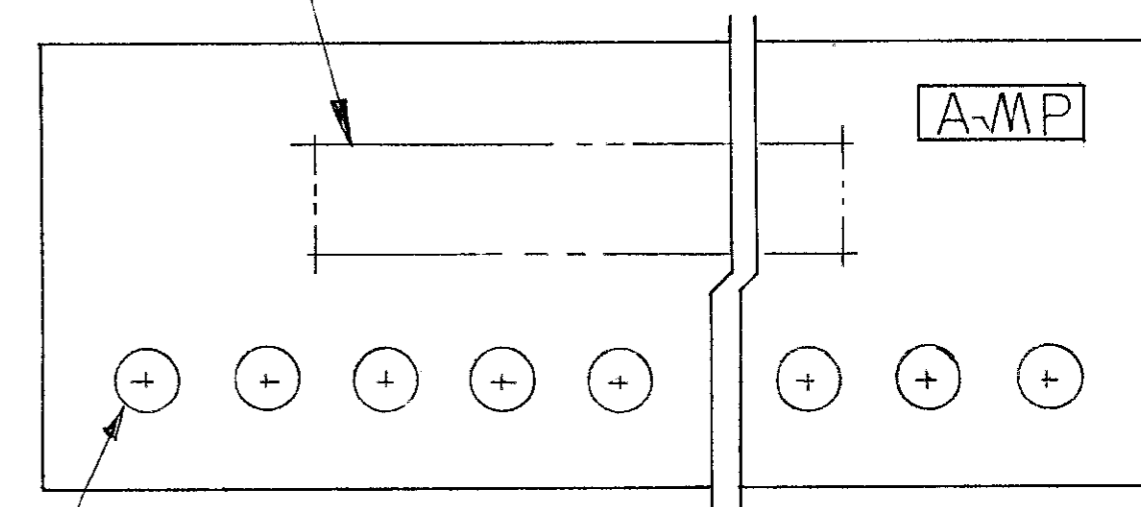
REVISIONS					
P	F	ZONE	LTR	DESCRIPTION	DATE APPROVED
0	✓			RELEASED WAC 5125-90	
✓			A	OBSOLETE AD3686	8/89 CP JJP
✓			B	REV PER 0010-1143-55	11/95 P.B.
			C	REV PER EC 0G3C-233-01	02OCT01 MM



1. REFER TO 60215, 583284 & 530501 FOR TERMINALS.
2. THE RETAINING DIMPLES ARE OPTIONAL IN BOTH CUT-OUTS.
3. CONTACT CAVITIES ENLARGED FOR 18-16AWG LEADS WITH MAXIMUM INSULATION DIA. OF .130.



AMP, PART NO. & DATE CODE MARKED OR MOLDED APPROX. AREA. DATE CODE (OPT.)



OBSOLETE	1.805	2.028	1.818	12	530555-3
	1.337	1.560	1.350	9	530555-2
	.400	.624	.414	3	530555-1
	Y	L	X	POS.	PART NO

UNLESS OTHERWISE SPECIFIED DIMENSIONS ARE IN INCHES. TOLERANCES ON: DECIMALS ±.005 ANGLES ±	CONTRACT NO	AMP INCORPORATED Harrisburg, Pa.	
	MATERIAL NYLON		
FINISH #	DSGN APPD	NAME HOUSING, DUO-TYNE FLAG WITH TEST PROBE ACCESS	
	OTHER APPD	SIZE CODE IDENT NO C 00779	DRAWING NO 530555
		SCALE 4-1	SHEET 1 OF 1

CUST. 530555