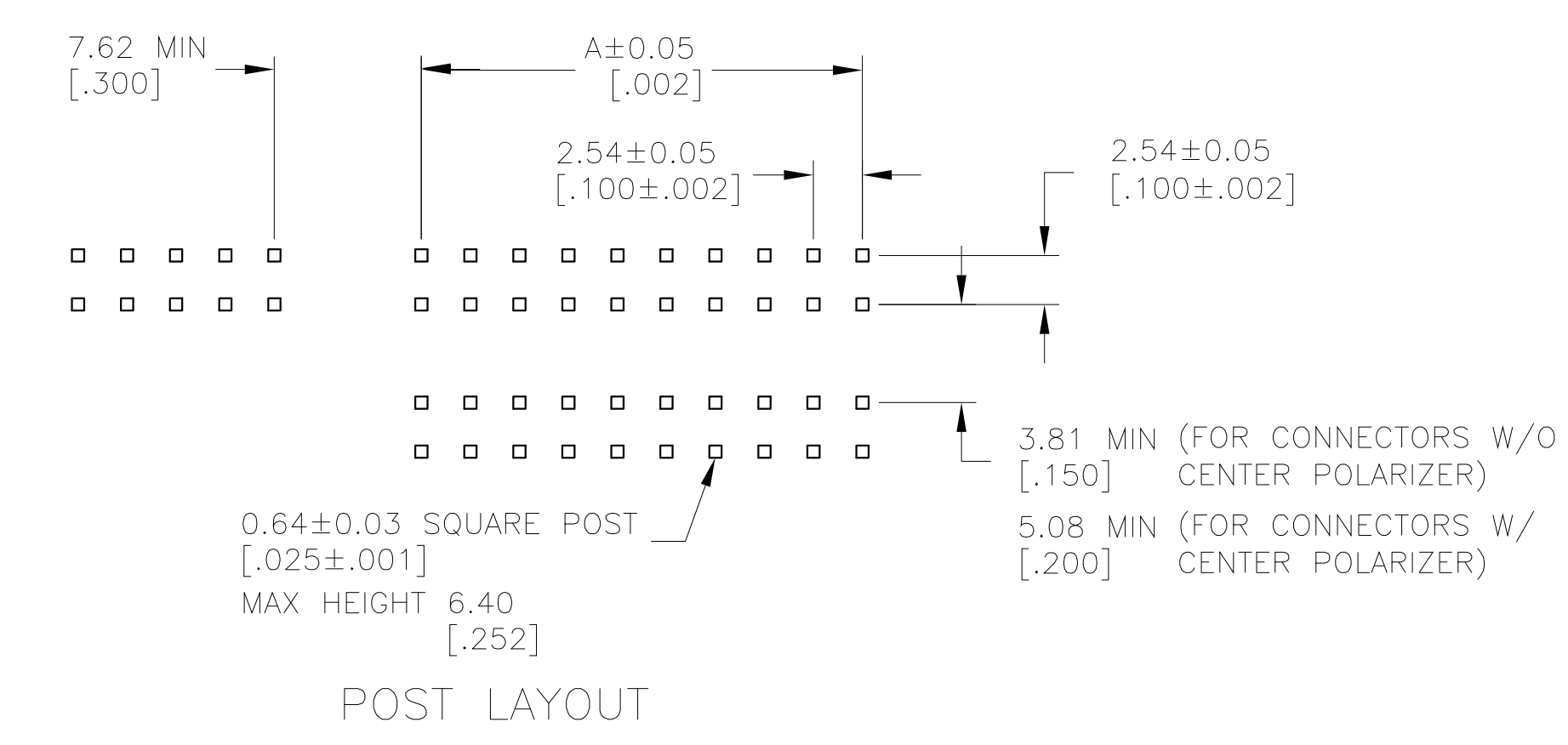
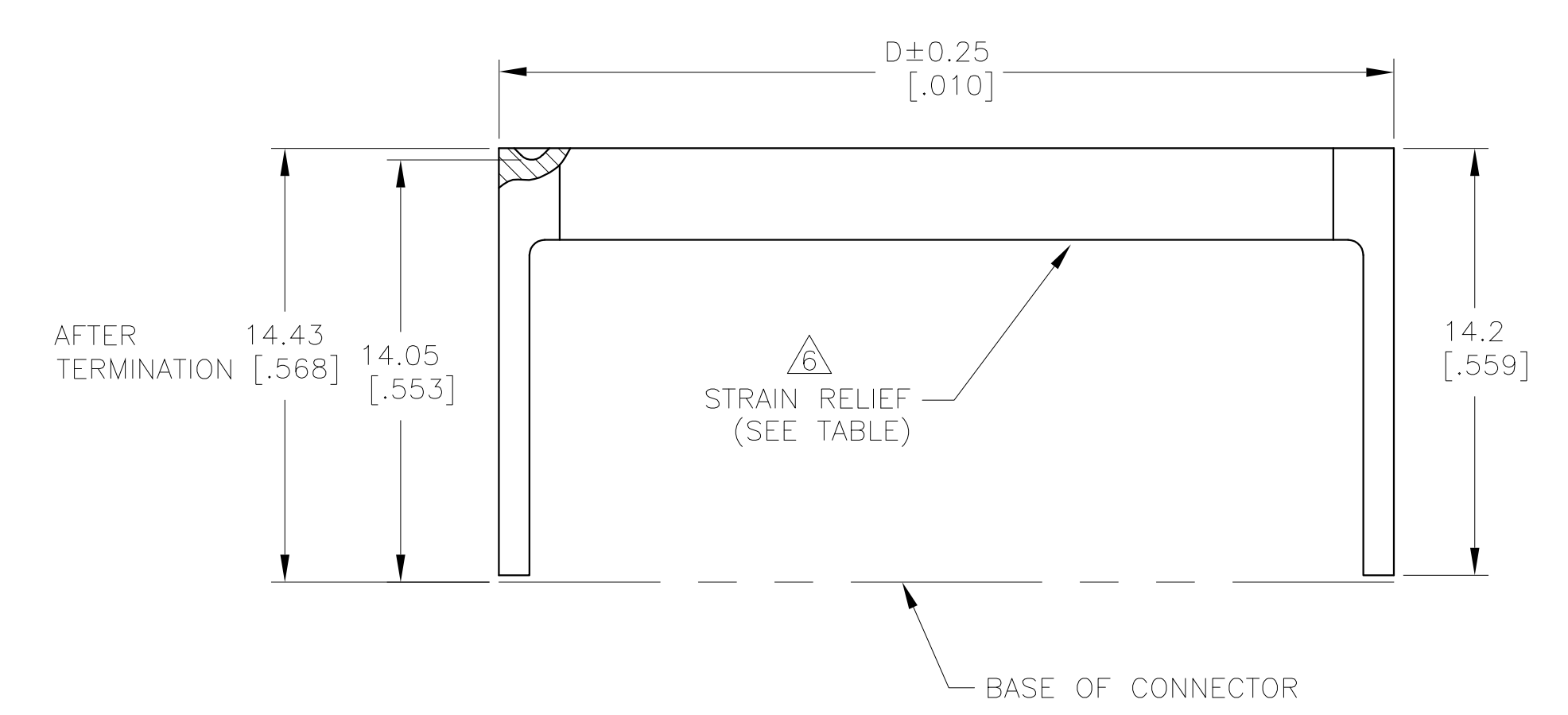
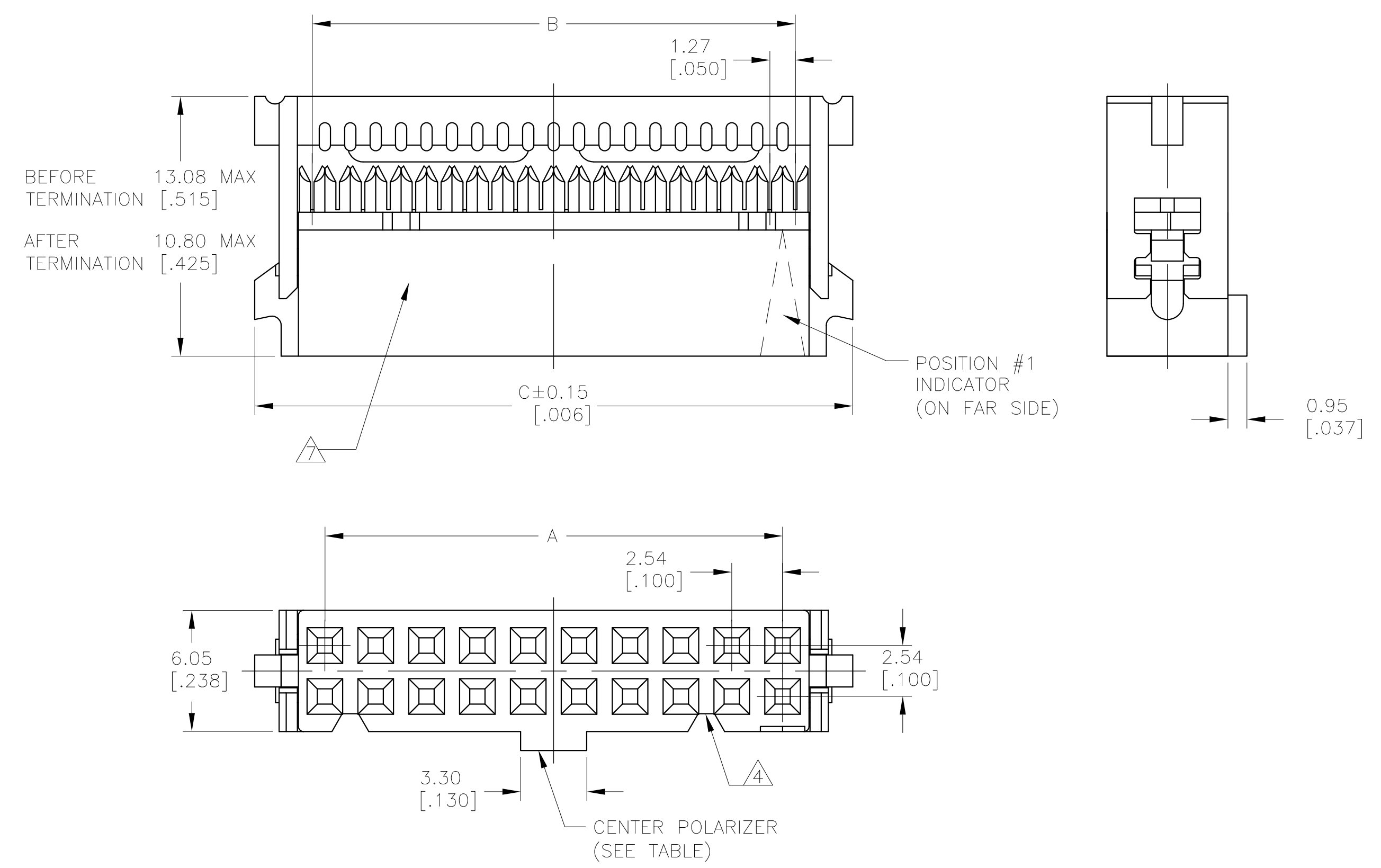


LOC		DIST		REVISIONS			
GP	00	REV	DATE	BY	CHK	APPV	
C	REVISED PER ECO-13-005383		08AUG2013	CJV	CWR		



- 20 POSITION CONNECTOR ASSEMBLY SHOWN.
- MOLDED PARTS: THERMOPLASTIC, UL94V-0 RATED, COLOR BLUE. CONTACTS: BERYLLIUM COPPER.
- CONTACTS: 0.00076[.000030] MIN GOLD ON MATING AREA, 0.00254-0.00508[.000100-.000200] BRIGHT TIN LEAD ON TERMINATION END, ALL OVER 0.00127[.000050] MIN NICKEL ON ENTIRE CONTACT.
- POLARIZER FEATURE DOES NOT EXIST ON POSITION #1 END FOR 10 POSITION ASSEMBLY.
- FOR TERMINATION OF 28 OR 30 AWG STRANDED PVC INSULATED FLAT RIBBON CABLE.
- STRAIN RELIEF PACKAGED SEPARATELY AND SHIPPED WITH ASSEMBLY.
- DATE CODE STAMPED ON THIS SIDE OF CONNECTOR. 6 POSITION CONNECTORS EXCLUDED.
- OBsolete PARTS: OBsolete CIS STREAMLINING PER D.RENAUD/D.SINISI

OBsolete	YES	YES	67.87[2.672]	67.97[2.676]	62.23[2.450]	60.96[2.400]	50	609-5041CE	8-1437021-5
SUPERSEDED	NO	YES	67.87[2.672]	67.97[2.676]	62.23[2.450]	60.96[2.400]	50	609-5030CE	7-1437021-6
OBsolete	NO	NO	67.87[2.672]	67.97[2.676]	62.23[2.450]	60.96[2.400]	50	609-5000CE	6-1437021-7
SUPERSEDED	YES	YES	55.17[2.172]	55.27[2.176]	49.53[1.950]	48.26[1.900]	40	609-4041CE	5-1437022-1
OBsolete	NO	YES	55.17[2.172]	55.27[2.176]	49.53[1.950]	48.26[1.900]	40	609-4030CE	5-1437021-1
SUPERSEDED	YES	YES	47.55[1.872]	47.65[1.876]	41.91[1.650]	40.64[1.600]	34	609-3441CE	3-1437021-6
OBsolete	NO	NO	47.55[1.872]	47.65[1.876]	41.91[1.650]	40.64[1.600]	34	609-3400CE	1-1437021-8
SUPERSEDED	YES	YES	37.39[1.472]	37.49[1.476]	31.75[1.250]	30.48[1.200]	26	609-2641CE	1-1437021-5
OBsolete	NO	YES	37.39[1.472]	37.49[1.476]	31.75[1.250]	30.48[1.200]	26	609-2630CE	1437021-7
OBsolete	NO	YES	29.77[1.172]	29.87[1.176]	24.13[.950]	22.86[.900]	20	609-2030CE	8-1437020-1
OBsolete	NO	NO	29.77[1.172]	29.87[1.176]	24.13[.950]	22.86[.900]	20	609-2000CE	7-1437020-1
SUPERSEDED	NO	YES	24.69[.972]	24.79[.976]	19.05[.750]	17.78[.700]	16	609-1630CE	6-1437020-2
OBsolete	YES	YES	17.07[.672]	17.17[.676]	11.43[.450]	10.16[.400]	10	609-1041CE	4-1437020-0
OBsolete	NO	YES	17.07[.672]	17.17[.676]	11.43[.450]	10.16[.400]	10	609-1030CE	3-1437020-2
OBsolete	YES	NO	17.07[.672]	17.17[.676]	11.43[.450]	10.16[.400]	10	609-1001CE	2-1437020-6
SUPERSEDED	NO	NO	17.07[.672]	17.17[.676]	11.43[.450]	10.16[.400]	10	609-1000CE	2-1437020-3

ELECTRICAL PROPERTIES	
CURRENT RATING	1 AMP
INSULATION RESISTANCE	>1 x 10 <sup>9</sup> OHMS @ 500 VDC
DWV	>500 VRMS AT SEA LEVEL
ENVIRONMENTAL PROPERTIES	
TEMPERATURE RATING	-55°C TO 125°C

THIS DRAWING IS A CONTROLLED DOCUMENT.

STE TE Connectivity

CONNECTOR ASSEMBLY, BLIND ENTRY, FEMALE SOCKET TRANSITION

APPROVED: M. WALMSLEY

DATE: 19AUG04

SIZE: A1

SCALE: 10:1

SHEET: 1 OF 1

REV: C