

## 10-A, 4.5-V to 14-V INPUT, NON-ISOLATED, ADJUSTABLE WIDE-OUTPUT, SWITCHING REGULATOR

### FEATURES

- Up to 10-A Output Current
- Wide Input Voltage Range (4.5 V to 14 V)
- Wide-Output Voltage Adjust (0.6 V to 5.5 V)
- Efficiencies Up To 96%
- ON/OFF Inhibit
- Undervoltage Lockout (UVLO)
- Output Overcurrent Protection (Nonlatching, Auto-Reset)
- Overtemperature Protection
- Ambient Temp. Range:  $-40^{\circ}\text{C}$  to  $85^{\circ}\text{C}$
- Space Saving Vertical SIP Package

### APPLICATIONS

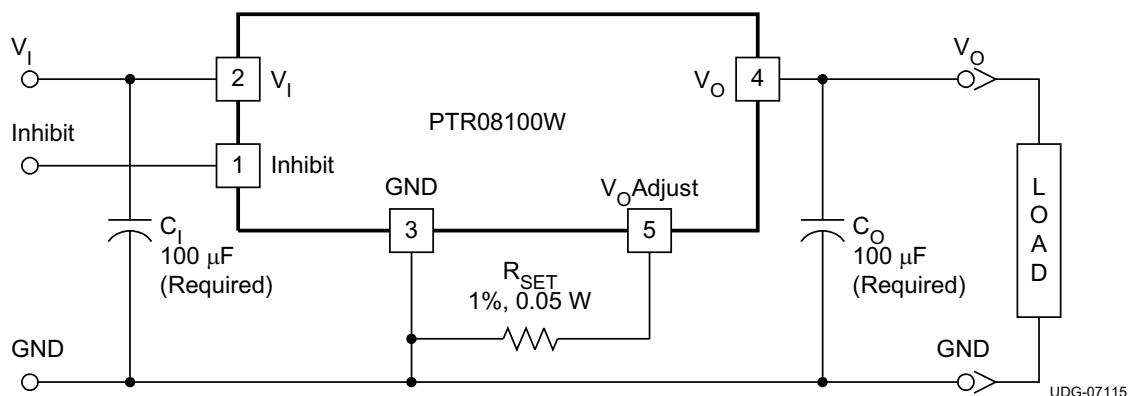
- Instrumentation
- Consumer Electronics
- Servers
- General-Purpose Circuits



### DESCRIPTION

The PTR08100W is a highly integrated, low-cost switching regulator module that delivers up to 10 A of output current. Occupying approximate PCB area of a standard TO-220 linear regulator IC, the PTR08100W provides output current at a much higher efficiency and with much less power dissipation, thereby eliminating the need for a heat sink. Their small size (0.65 x 0.41 in), high efficiency, and low cost makes these modules attractive for a variety of applications.

The input voltage range of the PTR08100W is from 4.5 V to 14 V, allowing operation from either a 5-V or 12-V input bus. Using state-of-the-art switched-mode power-conversion technology, the PTR08100W can step down to voltages as low as 0.6 V. The output voltage can be adjusted to any voltage over the range, 0.6 V to 5.5 V, using a single external resistor. Operating features include an undervoltage lockout (UVLO), on/off inhibit and output overcurrent protection. Target applications include servers, test and measurement applications, and high-end consumer products.



Please be aware that an important notice concerning availability, standard warranty, and use in critical applications of Texas Instruments semiconductor products and disclaimers thereto appears at the end of this data sheet.



These devices have limited built-in ESD protection. The leads should be shorted together or the device placed in conductive foam during storage or handling to prevent electrostatic damage to the MOS gates.

### ORDERING INFORMATION

For the most current package and ordering information, see the Package Option Addendum at the end of this datasheet, or see the TI website at [www.ti.com](http://www.ti.com).

### ABSOLUTE MAXIMUM RATINGS

over operating free-air temperature range unless otherwise noted<sup>(1)</sup>

				UNIT
T <sub>A</sub>	Operating free-air temperature	Over V <sub>I</sub> range	-40 to 85	°C
T <sub>wave</sub>	Wave solder temperature	Surface temperature of module body or pins (5 seconds maximum)	260 <sup>(2)</sup>	
T <sub>stg</sub>	Storage temperature	Storage temperature of module removed from shipping package	-55 to 125	
T <sub>pkg</sub>	Packaging temperature	Shipping Tray storage or bake temperature	45	

- (1) Stresses beyond those listed under absolute maximum ratings may cause permanent damage to the device. These are stress ratings only, and functional operation of the device at these or any other conditions beyond those indicated under recommended operating conditions is not implied. Exposure to absolute-maximum-rated conditions for extended periods may affect device reliability.
- (2) This product is not compatible with surface-mount reflow solder processes.

### RECOMMENDED OPERATING CONDITIONS

		MIN	MAX	UNIT
V <sub>I</sub>	Input voltage	4.5	14	V
T <sub>A</sub>	Operating free-air temperature	-40	85	°C

### PACKAGE SPECIFICATIONS

	PTR08100W	UNIT
Weight		2.74 grams
Flammability	Meets UL 94 V-O	
Mechanical shock	Per Mil-STD-883D, Method 2002.3, 1 msec, 1/2 sine, mounted	250 G <sup>(1)</sup>
Mechanical vibration	Mil-STD-883D, Method 2007.2, 20-2000 Hz	5 G <sup>(1)</sup>

- (1) Qualification limit.

## ELECTRICAL CHARACTERISTICS

 at 25°C free-air temperature,  $V_I = 12\text{ V}$ ,  $V_O = 3.3\text{ V}$ ,  $I_O = I_O(\text{Max})$ ,  $C_I = 100\text{ }\mu\text{F}$ ,  $C_O = 100\text{ }\mu\text{F}$  (unless otherwise noted)

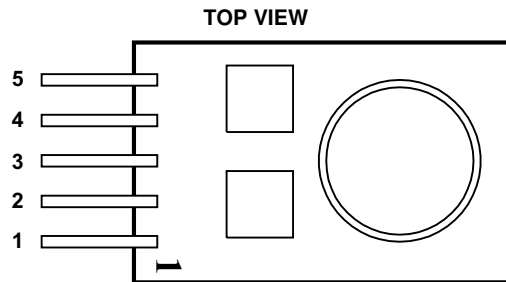
PARAMETER		TEST CONDITIONS		MIN	TYP	MAX	UNIT
$I_O$	Output current	$T_A = 50^\circ\text{C}$ , 200LFM airflow		0		10	A
$V_I$	Input voltage range	Over $I_O$ range	$0.6\text{ V} \leq V_O \leq 3.6$	4.5		14 <sup>(1)</sup>	V
			$3.6\text{ V} < V_O \leq 5.5$	$V_O/0.83$ <sup>(2)</sup>		14	
$V_{O(\text{adj})}$	Output voltage adjust range	Over $I_O$ range		0.6		5.5	V
$V_O$	Set-point voltage tolerance	$T_A = 25^\circ\text{C}$				$\pm 2$ <sup>(3)</sup>	% $V_O$
	Temperature variation	$-40^\circ\text{C} \leq T_A \leq +85^\circ\text{C}$			$\pm 0.2$		% $V_O$
	Line regulation	Over $V_I$ range			$\pm 0.3$		% $V_O$
	Load regulation	Over $I_O$ range			$\pm 0.5$		% $V_O$
	Total output voltage variation	Includes set-point, line, load, $-40^\circ\text{C} \leq T_A \leq +85^\circ\text{C}$				$\pm 3$ <sup>(3)</sup>	% $V_O$
$\eta$	Efficiency	$T_A = 25^\circ\text{C}$ $V_I = 5\text{ V}$ $I_O = 5\text{ A}$	$R_{\text{SET}} = 267\text{ }\Omega$ , $V_I = 12\text{ V}$ , $V_O = 5\text{ V}$ <sup>(2)</sup>		92 %		
			$R_{\text{SET}} = 432\text{ }\Omega$ , $V_O = 3.3\text{ V}$ <sup>(2)</sup>		95 %		
			$R_{\text{SET}} = 619\text{ }\Omega$ , $V_O = 2.5\text{ V}$		93 %		
			$R_{\text{SET}} = 976\text{ }\Omega$ , $V_O = 1.8\text{ V}$		91 %		
			$R_{\text{SET}} = 1.3\text{ k}\Omega$ , $V_O = 1.5\text{ V}$		90 %		
			$R_{\text{SET}} = 1.91\text{ k}\Omega$ , $V_O = 1.2\text{ V}$		88 %		
			$R_{\text{SET}} = 2.87\text{ k}\Omega$ , $V_O = 1\text{ V}$		86 %		
		$R_{\text{SET}} = 10.7\text{ k}\Omega$ , $V_O = 0.7\text{ V}$		84 %			
	Output voltage ripple	20 MHz bandwidth			50		mV <sub>PP</sub>
$I_{\text{LIM}}$	Overcurrent threshold	Reset, followed by autorecovery			16		A
	Transient response	2.5 A/ $\mu\text{s}$ load step from 50 to 100% $I_O$ max	Recovery time		50		$\mu\text{s}$
			$V_O$ over/undershoot		150		mV
UVLO	Undervoltage lockout	$V_I = \text{increasing}$		4.25		4.4	V
		$V_I = \text{decreasing}$		3.8		3.95	
	Inhibit control (pin 1)	Input high voltage ( $V_{\text{IH}}$ )		2.8		6 <sup>(4)</sup>	V
		Input low voltage ( $V_{\text{IL}}$ )		-0.3		0.6	
		Input low current ( $I_{\text{IL}}$ )			-125		
$I_{\text{I(stby)}}$	Input standby current	Pin 1 to GND			1		mA
$F_S$	Switching frequency	Over $V_I$ and $I_O$ ranges			300		kHz
$C_I$	External input capacitance			100 <sup>(5)</sup>			$\mu\text{F}$
$C_O$	External output capacitance	Non-ceramic		100 <sup>(6)</sup>		3000 <sup>(7)</sup>	$\mu\text{F}$
		Ceramic			22 <sup>(6)</sup>	100	
		Equivalent series resistance (non-ceramic)			5 <sup>(8)</sup>		
MTBF	Calculated reliability	Per Bellcore TR-332, 50% stress, $T_A = 40^\circ\text{C}$ , ground benign			13.7		$10^6$ Hrs

- (1) For output voltages less than 1.0 V, the output ripple may increase (up to 2 $\times$ ) when operating at input voltages greater than ( $V_O \times 15$ ).
- (2) The minimum input voltage is 4.5 V or ( $V_O/0.83$ ) V, whichever is greater.
- (3) The set-point voltage tolerance is affected by the tolerance and stability of  $R_{\text{SET}}$ . The stated limit is unconditionally met if  $R_{\text{SET}}$  has a tolerance of 1% with 100 ppm/ $^\circ\text{C}$  or better temperature stability.
- (4) This control pin has an internal pullup to the input voltage  $V_I$ . If it is left open circuit, the module operates when input power is applied. A small low-leakage (<100 nA) MOSFET is recommended for control. Do not tie the inhibit pin to  $V_I$  or to another module's inhibit pin. See the application section for further guidance.
- (5) An external 100- $\mu\text{F}$  bulk capacitor is required across the input ( $V_I$  and GND) for proper operation. Locate the capacitor close to the module.
- (6) An external 100- $\mu\text{F}$  non-ceramic capacitor is required across the output ( $V_O$  and GND) for proper operation. Locate the capacitor close to the module. Adding additional capacitance close to the load improves the response of the regulator to load transients.
- (7) This is the calculated maximum capacitance. The minimum ESR limitation often results in a lower value. See the capacitor application information for further guidance.
- (8) This is the typical ESR for all the non-ceramic capacitance. Use 7 m $\Omega$  as the minimum when calculating the total equivalent series resistance (ESR) using the max-ESR values specified by the capacitor manufacturer.

## PIN ASSIGNMENT

### TERMINAL FUNCTIONS

TERMINAL		DESCRIPTION
NAME	NO.	
$V_I$	2	The positive input voltage power node to the module, which is referenced to common GND.
GND	3	This is the common ground connection for the $V_I$ and $V_O$ power connections. It is also the 0 VDC reference for the <i>Inhibit</i> and $V_O$ <i>Adjust</i> control inputs.
$V_O$	4	The regulated positive power output with respect to the GND node.
$V_O$ Adjust	5	A 1% resistor must be connected between this pin and GND (pin 3) to set the output voltage of the module higher than 0.6 V. If left open-circuit, the output voltage defaults to this value. The temperature stability of the resistor should be 100 ppm/°C (or better). The set-point range is from 0.6 V to 5.5 V. For information on output voltage adjustment see the related application section. <b>The <math>V_O</math>Adjust pin must never be connected directly to GND. The minimum resistance between <math>V_O</math>Adjust and GND is limited to 240 <math>\Omega</math>.</b>
Inhibit	1	The Inhibit pin is an open-collector/drain-negative logic input that is referenced to GND. Applying a low-level ground signal to this input disables the module's output. When the Inhibit control is active, the input current drawn by the regulator is significantly reduced. If the Inhibit pin is left open-circuit, the module will produce an output voltage whenever a valid input source is applied.



TYPICAL CHARACTERISTICS (12-V INPUT)<sup>(1)(2)</sup>

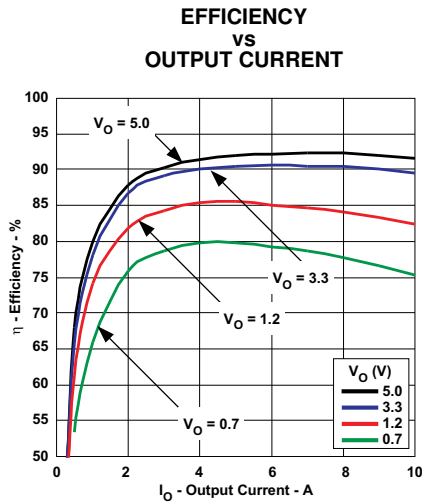


Figure 1.

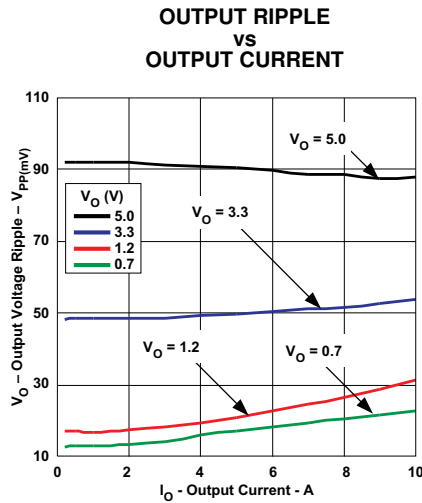


Figure 2.

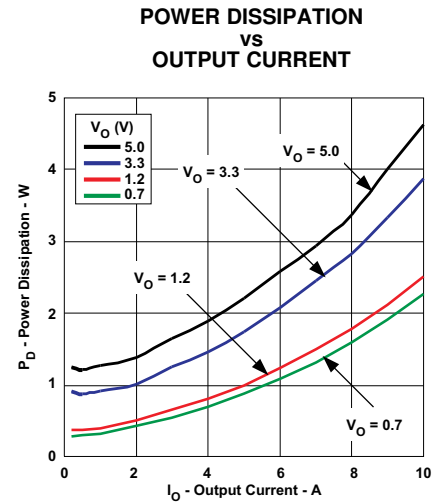


Figure 3.

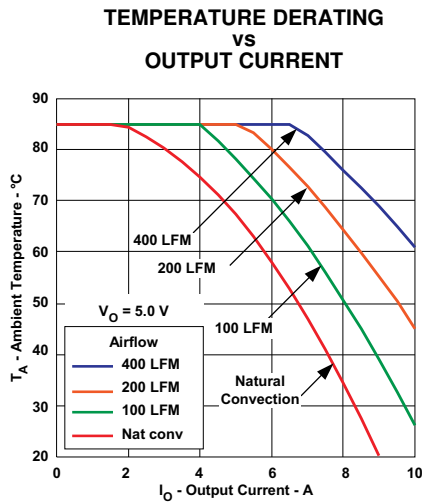


Figure 4.

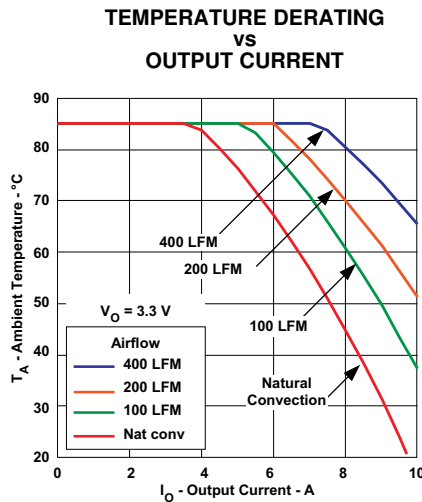


Figure 5.

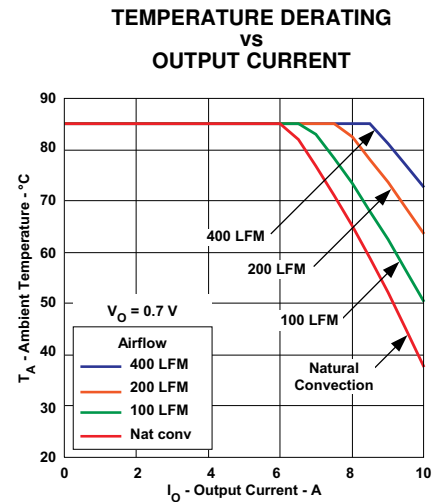


Figure 6.

- (1) The electrical characteristic data has been developed from actual products tested at 25°C. This data is considered typical for the converter. Applies to [Figure 1](#), [Figure 2](#), and [Figure 3](#).
- (2) The temperature derating curves represent the conditions at which internal components are at or below the manufacturer's maximum operating temperatures. Derating limits apply to modules soldered directly to a 100 mm × 100 mm double-sided PCB with 1 oz. copper. Applies to [Figure 4](#), [Figure 5](#), [Figure 6](#).

TYPICAL CHARACTERISTICS (5-V INPUT)<sup>(1)(2)</sup>

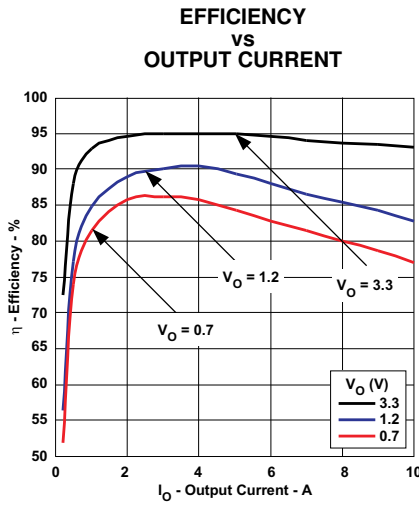


Figure 7.

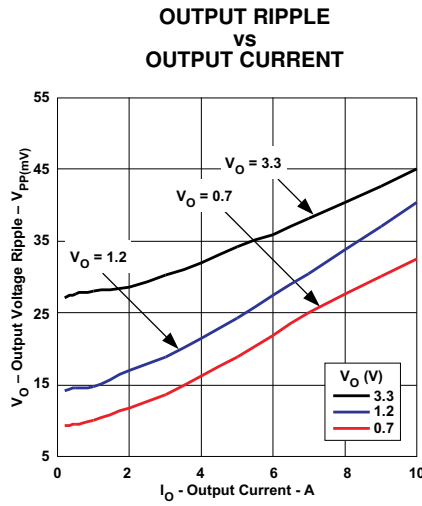


Figure 8.

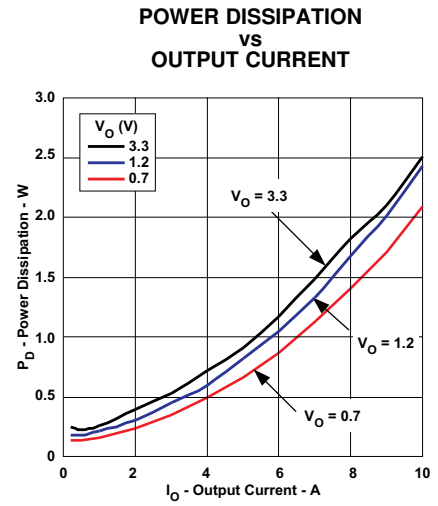


Figure 9.

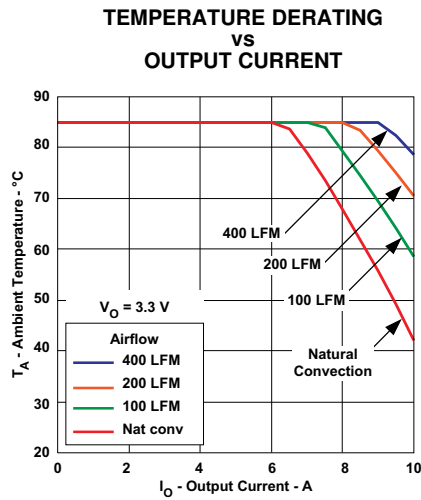


Figure 10.

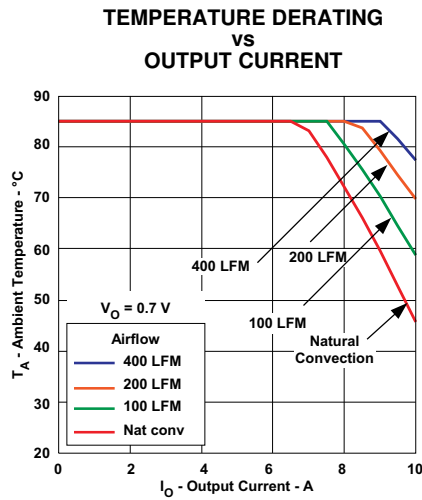


Figure 11.

- (1) The electrical characteristic data has been developed from actual products tested at 25°C. This data is considered typical for the converter. Applies to Figure 7, Figure 8, and Figure 9.
- (2) The temperature derating curves represent the conditions at which internal components are at or below the manufacturer's maximum operating temperatures. Derating limits apply to modules soldered directly to a 100 mm × 100 mm double-sided PCB with 1 oz. copper. Applies to Figure 10, Figure 11.

## APPLICATION INFORMATION

### ADJUSTING THE OUTPUT VOLTAGE

The  $V_OAdjust$  control (pin 5) sets the output voltage of the PTR08100W product. The adjustment range is from 0.6 V to 5.5 V. The adjustment method requires the addition of a single external resistor,  $R_{SET}$ , that must be connected directly between the  $V_OAdjust$  and  $GND$  pin 3. Table 1 gives the standard external resistor for a number of common bus voltages, along with the actual voltage the resistance produces.

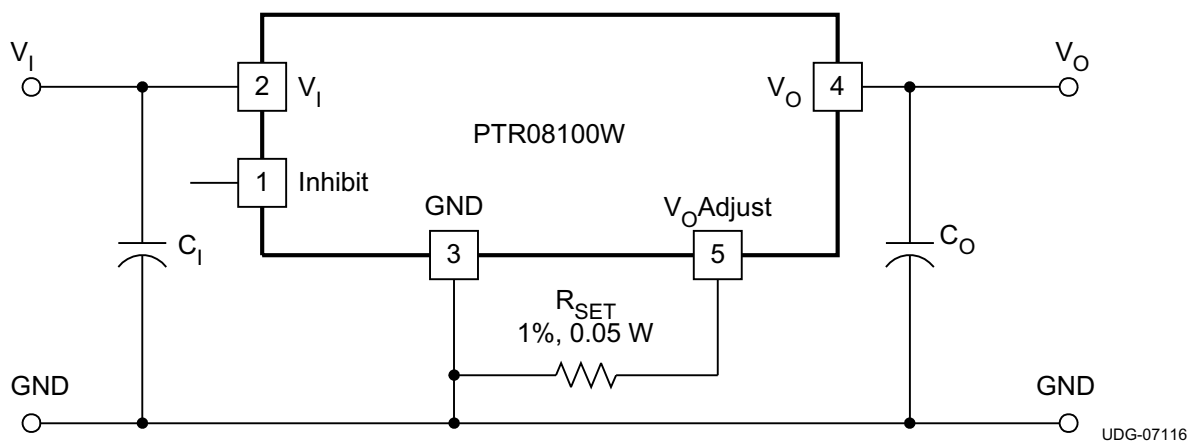
For other output voltages, the value of the required resistor can either be calculated using the following formula, or simply selected from the range of values given in Table 2. Figure 12 shows the placement of the required resistor.

$$R_{SET} = \frac{1.182}{V_O - 0.591} \text{ (k}\Omega\text{)}$$

**Table 1. Standard Values of  $R_{SET}$  for Common Output Voltages**

$V_O$ (V) (Required)	$R_{SET}$ (k $\Omega$ ) (Standard Value)	$V_O$ (V) (Actual)
5 <sup>(1)</sup>	0.267	5.018
3.3	0.432	3.327
2.5	0.619	2.501
1.8	0.976	1.802
1.5	1.3	1.500
1.2	1.91	1.210
1	2.87	1.003
0.7	10.7	0.701

(1) The minimum input voltage is 4.5 V or ( $V_O/0.83$ ) V, whichever is greater.



- (1) A 0.05-W rated resistor may be used. The tolerance should be 1%, with a temperature stability of 100 ppm/°C (or better). Place the resistor as close to the regulator as possible. Connect the resistor directly between pins 5 and 3 using dedicated PCB traces.
- (2) The  $V_OAdjust$  pin must never be connected directly to  $GND$ . The minimum resistance between  $V_OAdjust$  and  $GND$  is limited to 240  $\Omega$ .
- (3) Never connect capacitors from  $V_OAdjust$  to either  $GND$  or  $V_O$ . Any capacitance added to the  $V_OAdjust$  pin will affect the stability of the regulator.

**Figure 12.  $V_O$  Adjust Resistor Placement**

**Table 2. Calculated  $R_{SET}$  Resistor Values**

$V_O$ Req'd (V)	$R_{SET}$ (k $\Omega$ )	$V_O$ Req'd (V)	$R_{SET}$ (k $\Omega$ )	$V_O$ Req'd (V)	$R_{SET}$ (k $\Omega$ )
0.6	131	2.3	0.692	4.0	0.347
0.7	10.8	2.4	0.653	4.1	0.337
0.8	5.66	2.5	0.619	4.2	0.328
0.9	3.83	2.6	0.588	4.3	0.319
1.0	2.89	2.7	0.560	4.4	0.310
1.1	2.32	2.8	0.535	4.5	0.302
1.2	1.94	2.9	0.512	4.6	0.295
1.3	1.67	3.0	0.491	4.7	0.288
1.4	1.46	3.1	0.471	4.8	0.281
1.5	1.30	3.2	0.453	4.9	0.274
1.6	1.17	3.3	0.436	5.0	0.268
1.7	1.07	3.4	0.421	5.1	0.262
1.8	0.978	3.5	0.406	5.2	0.256
1.9	0.903	3.6	0.393	5.3	0.251
2.0	0.839	3.7	0.380	5.4	0.246
2.1	0.783	3.8	0.368	5.5	0.241
2.2	0.735	3.9	0.357		

## CAPACITOR RECOMMENDATIONS FOR THE PTR08100W POWER MODULE

### Capacitor Technologies

#### Electrolytic Capacitors

When using electrolytic capacitors, high-quality, computer-grade electrolytic capacitors are recommended. Aluminum electrolytic capacitors provide adequate decoupling over the frequency range of 2 kHz to 150 kHz, and are suitable when ambient temperatures are above  $-20^{\circ}\text{C}$ . For operation below  $-20^{\circ}\text{C}$ , tantalum, ceramic, or OS-CON type capacitors are required.

#### Ceramic Capacitors

The performance of aluminum electrolytic capacitors is less effective above 150 kHz. Multilayer ceramic capacitors have a low ESR and a resonant frequency higher than the bandwidth of the regulator. They can be used to reduce the reflected ripple current at the input as well as improve the transient response of the output.

#### Tantalum, Polymer-Tantalum Capacitors

Tantalum type capacitors may only used on the output bus, and are recommended for applications where the ambient operating temperature is less than  $0^{\circ}\text{C}$ . The AVX TPS series and Kemet capacitor series are suggested over many other tantalum types due to their lower ESR, higher rated surge, power dissipation, and ripple current capability. Tantalum capacitors that have no stated ESR or surge current rating are not recommended for power applications.



### Input Capacitor (Required)

The PTR08100W requires a minimum input capacitance of 100 $\mu$ F. The ripple current rating of the electrolytic capacitor must be at least 750mA<sub>RMS</sub>. An optional 22- $\mu$ F X5R/X7R ceramic capacitor is recommended to reduce the RMS ripple current. [Table 3](#) includes a preferred list of capacitors by vendor.

### Input Capacitor Information

The size and value of the input capacitor is determined by the converter's transient performance capability. The minimum value assumes that the converter is supplied with a responsive, low-inductance input source. The source should have ample capacitive decoupling, and be distributed to the converter via PCB power and ground planes.

Ceramic capacitors should be located as close as possible to the module's input pins, within 0.5 inch (1.3 cm). Adding ceramic capacitance is necessary to reduce the high-frequency ripple voltage at the module's input. This reduces the magnitude of the ripple current through the electrolytic capacitor, as well as the amount of ripple current reflected back to the input source. Additional ceramic capacitors can be added to further reduce the RMS ripple current requirement for the electrolytic capacitor.

The main considerations when selecting input capacitors are the RMS ripple current rating, temperature stability, and maintaining less than 100 m $\Omega$  of equivalent series resistance (ESR).

Regular tantalum capacitors are not recommended for the input bus. These capacitors require a recommended minimum voltage rating of  $2 \times$  (maximum dc voltage + ac ripple). This is standard practice to ensure reliability. No tantalum capacitors were found to have voltage ratings sufficient to meet this requirement.

When the operating temperature is below 0°C, the ESR of aluminum electrolytic capacitors increases. For these applications, OS-CON, poly-aluminum, and polymer-tantalum types should be considered.

### Output Capacitor (Required)

The PTR08100W requires a minimum 100 $\mu$ F of non-ceramic output capacitance. Additional non-ceramic, low-ESR capacitance is recommended for improved performance. See data sheet for maximum capacitance limits. The required capacitance above the minimum is determined by actual transient deviation requirements. [Table 3](#) includes a preferred list of capacitors by vendor.

### Output Capacitor Information

When selecting output capacitors, the main considerations are capacitor type, temperature stability, and ESR.

Ceramic output capacitors added for high-frequency bypassing should be located as close as possible to the load to be effective. Ceramic capacitor values below 10 $\mu$ F should not be included when calculating the total output capacitance value.

When the operating temperature is below 0°C, the ESR of aluminum electrolytic capacitors increases. For these applications, OS-CON, poly-aluminum, and polymer-tantalum types should be considered.

### Designing for Fast Load Transients

The transient response of the dc/dc converter has been characterized using a load transient with a di/dt of 2.5 A/ $\mu$ s. The typical voltage deviation for this load transient is given in the Electrical Characteristics table using the minimum required value of output capacitance. As the di/dt of a transient is increased, the response of a converter's regulation circuit ultimately depends on its output capacitor decoupling network. This is an inherent limitation with any dc/dc converter once the speed of the transient exceeds its bandwidth capability.

If the target application specifies a higher di/dt or lower voltage deviation, the requirement can only be met with additional low ESR ceramic capacitor decoupling. Generally, with load steps greater than 100 A/ $\mu$ s, adding multiple 10- $\mu$ F ceramic capacitors plus 10 $\times$ 1 $\mu$ F, and numerous high frequency ceramics ( $\leq$ 0.1 $\mu$ F) is all that is required to soften the transient higher frequency edges. The PCB location of these capacitors in relation to the load is critical. DSP, FPGA and ASIC vendors identify types, location and amount of capacitance required for optimum performance. Low impedance buses, unbroken PCB copper planes, and components located as close as possible to the high frequency devices are essential for optimizing transient performance.

**Table 3. Recommended Input/Output Capacitors<sup>(1)</sup>**

Capacitor Vendor, Type/Series (Style)	Capacitor Characteristics					Quantity		Vendor Number
	Working Voltage (V)	Value (µF)	Max ESR at 100 kHz (Ω)	Max Ripple Current at 85°C (I <sub>rms</sub> ) (mA)	Physical Size (mm)	Input Bus	Output Bus	
Panasonic, Aluminum	25	330	0.090	775	10 × 12,5	1	1	EEUFC1E331
FC (Radial)	35	180	0.090	775	10 × 12,5	1	1	EEUFC1V181
FK (SMD)	25	470	0.080	850	10 × 10,2	1	1	EEVFK1E471P
United Chemi-Con								
PXA-Poly-Aluminum (SMD)	16	150	0.026	3430	10 × 7,7	1	≤ 4	PXA16VC151MJ80TP
PS (Radial)	20	100	0.024	3300	8 × 11,5	1	≤ 4	20PS100MH11
LXZ, Aluminum (Radial)	35	220	0.090	760	10 × 12,5	1	1	LXZ35VB221M10X12LL
Nichicon Aluminum								
HD (Radial)	25	220	0.072	760	8 × 11,5	1	1	UHD1E221MPR
PM (Radial)	35	220	0.090	770	10 × 15	1	1	UPM1V221MHH6
Sanyo								
SVP, Os-con (SMD)	20	100	0.024	3300	8 × 12	1	≤ 4	20SVP100M
SEQP, Os-con (Radial)	20	100	0.024	3300	8 × 12	1	≤ 4	20SEQP100M
TPE, Pos-Cap (SMD)	10	220	0.025	2400	7,3 × 5,7	N/R <sup>(2)</sup>	≤ 4	10TPE220ML
AVX, Tantalum	10	100	0.100	1090	7,3 × 4,3 × 4,1	N/R <sup>(2)</sup>	≤ 5	TPSD107M010R0100
TPS (SMD)	10	220	0.100	1414	7,3 × 4,3 × 4,1	N/R <sup>(2)</sup>	≤ 5	TPSV227M010R0100
	25	68	0.095	1451	7,3 × 4,3 × 4,1	2	≤ 5	TPSV686M025R0080
Kemet								
T520, Poy-Tant (SMD)	10	100	0.080	1200	7,3 × 5,7 × 4	N/R <sup>(2)</sup>	≤ 5	T520D107M010AS
T495, Tantalum (SMD)	10	100	0.100	1100	7,3 × 5,7 × 4	N/R <sup>(2)</sup>	≤ 5	T495X107M010AS
Vishay-Sprague								
594D, Tantalum (SMD)	10	150	0.090	1100	7,3 × 6 × 4,1	N/R <sup>(2)</sup>	≤ 5	594D157X0010C2T
94SP, Organic (Radial)	25	68	0.095	1600	7,3 × 6 × 4,1	2	≤ 5	594D686X0025R2T
94SP, Organic (Radial)	16	100	0.070	2890	10 × 10,5	1	≤ 5	94SP107X0016FBP
94SVP, Organic (SMD)	20	100	0.025	3260	8 × 12	1	≤ 4	94SVP107X0020E12
Kemet, Ceramic X5R (SMD)	16	10	0.002	–	1210 case	1 <sup>(3)</sup>	≤ 5	C1210C106M4PAC
	6.3	47	0.002	–	3225 mm	N/R <sup>(2)</sup>	≤ 5	C1210C476K9PAC
Murata, Ceramic X5R (SMD)	6.3	100	0.002	–	1210 case	N/R <sup>(2)</sup>	≤ 3	GRM32ER60J107M
	6.3	47	–	–	3225 mm	N/R <sup>(2)</sup>	≤ 5	GRM32ER60J476M
	16	22	–	–	–	1 <sup>(3)</sup>	≤ 5	GRM32ER61C226L
	16	10	–	–	–	1 <sup>(3)</sup>	≤ 5	GRM32DR61C106K
TDK, Ceramic X5R (SMD)	6.3	100	0.002	–	1210 case	N/R <sup>(2)</sup>	≤ 3	C3225X5ROJ107MT
	6.3	47	–	–	3225 mm	N/R <sup>(2)</sup>	≤ 5	C3225X5ROJ476MT
	16	22	–	–	–	1 <sup>(3)</sup>	≤ 5	C3225X5R1C226MT
	16	10	–	–	–	1 <sup>(3)</sup>	≤ 5	C3225X5R1C106MT

**(1) Capacitor Supplier Verification**

Please verify availability of capacitors identified in this table. Capacitor suppliers may recommend alternative part numbers because of limited availability or obsolete products. In some instances, the capacitor product life cycle may be in decline and have short-term consideration for obsolescence.

**RoHS, Lead-free and Material Details**

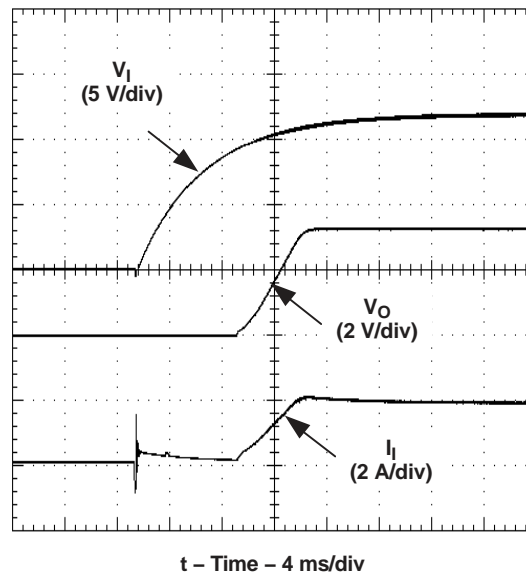
Please consult capacitor suppliers regarding material composition, RoHS status, lead-free status, and manufacturing process requirements. Component designators or part number deviations can occur when material composition or soldering requirements are updated.

(2) N/R – Not recommended. The capacitor voltage rating does not meet the minimum operating limits.

(3) Ceramic capacitors are required to complement electrolytic types at the input and to reduce high-frequency ripple current.

## Power-Up Characteristics

When configured per the standard application, the PTR08100W power module produces a regulated output voltage following the application of a valid input source voltage. During power up, internal soft-start circuitry slows the rate that the output voltage rises, thereby limiting the amount of in-rush current that can be drawn from the input source. The soft-start circuitry introduces a short time delay (typically 10 ms) into the power-up characteristic. This is from the point that a valid input source is recognized. Figure 13 shows the power-up waveforms for a PTR08100W, operating from a 12-V input and with the output voltage adjusted to 3.3 V. The waveforms were measured with a 6-A constant current load.



**Figure 13. Power-Up Waveforms**

## Overcurrent Protection

For protection against load faults, the PTR08100W incorporates output overcurrent protection. Applying a load that exceeds the regulator's overcurrent threshold causes the regulated output to shut down. Following shutdown, the module periodically attempts to recover by initiating a soft-start power-up. This is described as a *hiccup* mode of operation, whereby the module continues in a cycle of successive shutdown and power up until the load fault is removed. During this period, the average current flowing into the fault is significantly reduced. Once the fault is removed, the module automatically recovers and returns to normal operation.

### Output On/Off Inhibit

For applications requiring output voltage on/off control, the PTR08100W power module incorporates an output on/off Inhibit control (pin 1). The inhibit feature can be used wherever there is a requirement for the output voltage from the regulator to be turned off.

The power module functions normally when the Inhibit pin is left open-circuit, providing a regulated output whenever a valid source voltage is connected to  $V_{in}$  with respect to GND.

Figure 14 shows the typical application of the inhibit function. Note the discrete transistor (Q1). The Inhibit control has its own internal pullup to  $V_I$  potential. An open-collector or open-drain device is recommended to control this input.

Turning Q1 on applies a low voltage to the *Inhibit* control pin and disables the output of the module. If Q1 is then turned off, the module will execute a soft-start power-up sequence. A regulated output voltage is produced within 20 msec. Figure 15 shows the typical rise in the output voltage, following the turn off of Q1. The turn off of Q1 corresponds to the rise in the waveform,  $V_{INH}$ . The waveforms were measured with a 6-A constant current load.

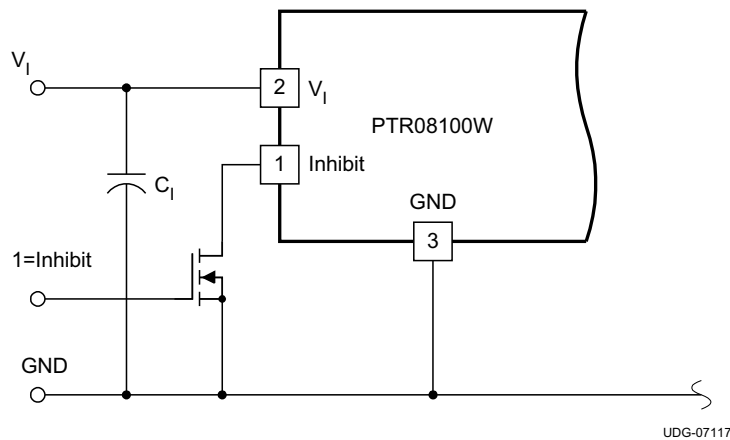


Figure 14. On/Off Inhibit Control Circuit

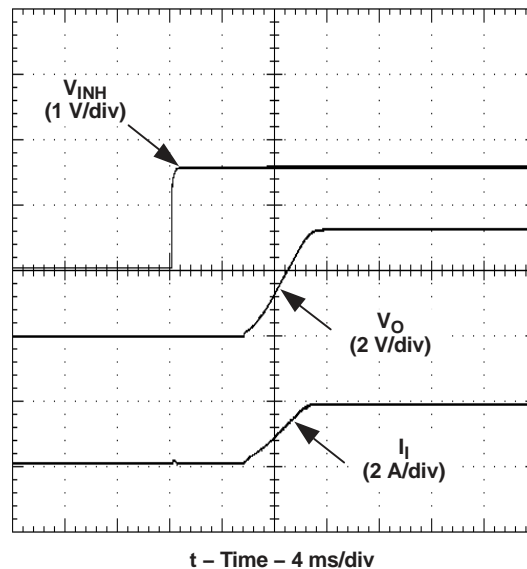


Figure 15. Power Up Response From Inhibit Control

**PACKAGING INFORMATION**

Orderable Device	Status <sup>(1)</sup>	Package Type	Package Drawing	Pins	Package Qty	Eco Plan <sup>(2)</sup>	Lead/ Ball Finish	MSL Peak Temp <sup>(3)</sup>	Samples (Requires Login)
PTR08100WVD	ACTIVE	SIP MODULE	EDN	5	80	Pb-Free (RoHS)	SN	N / A for Pkg Type	<a href="#">Request Free Samples</a>

<sup>(1)</sup> The marketing status values are defined as follows:

**ACTIVE:** Product device recommended for new designs.

**LIFEBUY:** TI has announced that the device will be discontinued, and a lifetime-buy period is in effect.

**NRND:** Not recommended for new designs. Device is in production to support existing customers, but TI does not recommend using this part in a new design.

**PREVIEW:** Device has been announced but is not in production. Samples may or may not be available.

**OBSOLETE:** TI has discontinued the production of the device.

<sup>(2)</sup> Eco Plan - The planned eco-friendly classification: Pb-Free (RoHS), Pb-Free (RoHS Exempt), or Green (RoHS & no Sb/Br) - please check <http://www.ti.com/productcontent> for the latest availability information and additional product content details.

**TBD:** The Pb-Free/Green conversion plan has not been defined.

**Pb-Free (RoHS):** TI's terms "Lead-Free" or "Pb-Free" mean semiconductor products that are compatible with the current RoHS requirements for all 6 substances, including the requirement that lead not exceed 0.1% by weight in homogeneous materials. Where designed to be soldered at high temperatures, TI Pb-Free products are suitable for use in specified lead-free processes.

**Pb-Free (RoHS Exempt):** This component has a RoHS exemption for either 1) lead-based flip-chip solder bumps used between the die and package, or 2) lead-based die adhesive used between the die and leadframe. The component is otherwise considered Pb-Free (RoHS compatible) as defined above.

**Green (RoHS & no Sb/Br):** TI defines "Green" to mean Pb-Free (RoHS compatible), and free of Bromine (Br) and Antimony (Sb) based flame retardants (Br or Sb do not exceed 0.1% by weight in homogeneous material)

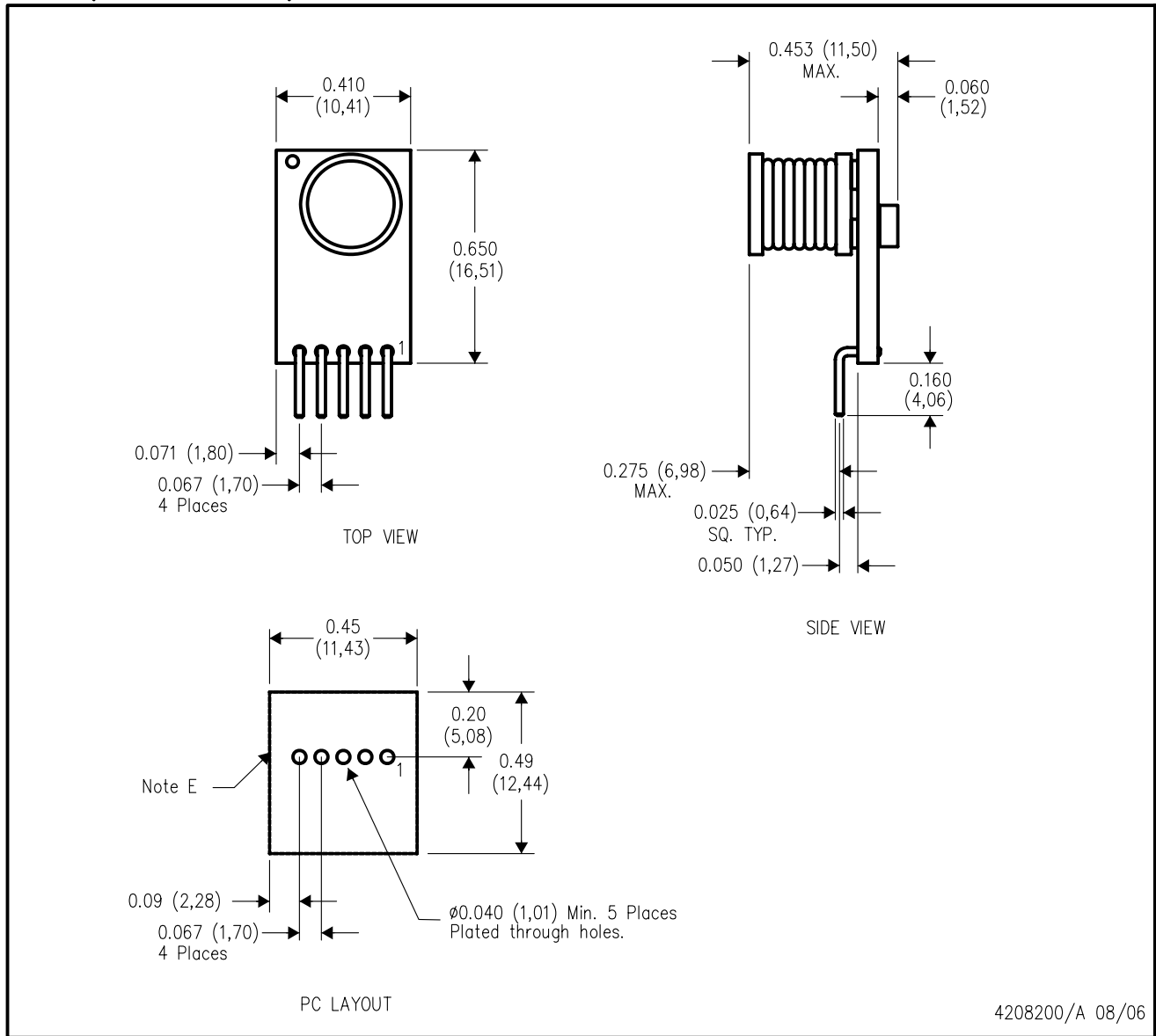
<sup>(3)</sup> MSL, Peak Temp. -- The Moisture Sensitivity Level rating according to the JEDEC industry standard classifications, and peak solder temperature.

**Important Information and Disclaimer:** The information provided on this page represents TI's knowledge and belief as of the date that it is provided. TI bases its knowledge and belief on information provided by third parties, and makes no representation or warranty as to the accuracy of such information. Efforts are underway to better integrate information from third parties. TI has taken and continues to take reasonable steps to provide representative and accurate information but may not have conducted destructive testing or chemical analysis on incoming materials and chemicals. TI and TI suppliers consider certain information to be proprietary, and thus CAS numbers and other limited information may not be available for release.

In no event shall TI's liability arising out of such information exceed the total purchase price of the TI part(s) at issue in this document sold by TI to Customer on an annual basis.

EDN (R-PDSS-T5)

DOUBLE SIDED MODULE



4208200/A 08/06

- NOTES:
- A. All linear dimensions are in inches (mm).
  - B. This drawing is subject to change without notice.
  - C. 2 place decimals are  $\pm 0.030$  ( $\pm 0,76$ mm).
  - D. 3 place decimals are  $\pm 0.010$  ( $\pm 0,25$ mm).
  - E. Recommended keep out area for user components.
  - F. Pins are SQ 0.025" (0,64).
  - G. All pins: Material – Phosphor Bronze  
Finish – Tin (100%) over Nickel plate

## IMPORTANT NOTICE

Texas Instruments Incorporated and its subsidiaries (TI) reserve the right to make corrections, modifications, enhancements, improvements, and other changes to its products and services at any time and to discontinue any product or service without notice. Customers should obtain the latest relevant information before placing orders and should verify that such information is current and complete. All products are sold subject to TI's terms and conditions of sale supplied at the time of order acknowledgment.

TI warrants performance of its hardware products to the specifications applicable at the time of sale in accordance with TI's standard warranty. Testing and other quality control techniques are used to the extent TI deems necessary to support this warranty. Except where mandated by government requirements, testing of all parameters of each product is not necessarily performed.

TI assumes no liability for applications assistance or customer product design. Customers are responsible for their products and applications using TI components. To minimize the risks associated with customer products and applications, customers should provide adequate design and operating safeguards.

TI does not warrant or represent that any license, either express or implied, is granted under any TI patent right, copyright, mask work right, or other TI intellectual property right relating to any combination, machine, or process in which TI products or services are used. Information published by TI regarding third-party products or services does not constitute a license from TI to use such products or services or a warranty or endorsement thereof. Use of such information may require a license from a third party under the patents or other intellectual property of the third party, or a license from TI under the patents or other intellectual property of TI.

Reproduction of TI information in TI data books or data sheets is permissible only if reproduction is without alteration and is accompanied by all associated warranties, conditions, limitations, and notices. Reproduction of this information with alteration is an unfair and deceptive business practice. TI is not responsible or liable for such altered documentation. Information of third parties may be subject to additional restrictions.

Resale of TI products or services with statements different from or beyond the parameters stated by TI for that product or service voids all express and any implied warranties for the associated TI product or service and is an unfair and deceptive business practice. TI is not responsible or liable for any such statements.

TI products are not authorized for use in safety-critical applications (such as life support) where a failure of the TI product would reasonably be expected to cause severe personal injury or death, unless officers of the parties have executed an agreement specifically governing such use. Buyers represent that they have all necessary expertise in the safety and regulatory ramifications of their applications, and acknowledge and agree that they are solely responsible for all legal, regulatory and safety-related requirements concerning their products and any use of TI products in such safety-critical applications, notwithstanding any applications-related information or support that may be provided by TI. Further, Buyers must fully indemnify TI and its representatives against any damages arising out of the use of TI products in such safety-critical applications.

TI products are neither designed nor intended for use in military/aerospace applications or environments unless the TI products are specifically designated by TI as military-grade or "enhanced plastic." Only products designated by TI as military-grade meet military specifications. Buyers acknowledge and agree that any such use of TI products which TI has not designated as military-grade is solely at the Buyer's risk, and that they are solely responsible for compliance with all legal and regulatory requirements in connection with such use.

TI products are neither designed nor intended for use in automotive applications or environments unless the specific TI products are designated by TI as compliant with ISO/TS 16949 requirements. Buyers acknowledge and agree that, if they use any non-designated products in automotive applications, TI will not be responsible for any failure to meet such requirements.

Following are URLs where you can obtain information on other Texas Instruments products and application solutions:

<b>Products</b>		<b>Applications</b>	
Amplifiers	<a href="http://amplifier.ti.com">amplifier.ti.com</a>	Audio	<a href="http://www.ti.com/audio">www.ti.com/audio</a>
Data Converters	<a href="http://dataconverter.ti.com">dataconverter.ti.com</a>	Automotive	<a href="http://www.ti.com/automotive">www.ti.com/automotive</a>
DLP® Products	<a href="http://www.dlp.com">www.dlp.com</a>	Communications and Telecom	<a href="http://www.ti.com/communications">www.ti.com/communications</a>
DSP	<a href="http://dsp.ti.com">dsp.ti.com</a>	Computers and Peripherals	<a href="http://www.ti.com/computers">www.ti.com/computers</a>
Clocks and Timers	<a href="http://www.ti.com/clocks">www.ti.com/clocks</a>	Consumer Electronics	<a href="http://www.ti.com/consumer-apps">www.ti.com/consumer-apps</a>
Interface	<a href="http://interface.ti.com">interface.ti.com</a>	Energy	<a href="http://www.ti.com/energy">www.ti.com/energy</a>
Logic	<a href="http://logic.ti.com">logic.ti.com</a>	Industrial	<a href="http://www.ti.com/industrial">www.ti.com/industrial</a>
Power Mgmt	<a href="http://power.ti.com">power.ti.com</a>	Medical	<a href="http://www.ti.com/medical">www.ti.com/medical</a>
Microcontrollers	<a href="http://microcontroller.ti.com">microcontroller.ti.com</a>	Security	<a href="http://www.ti.com/security">www.ti.com/security</a>
RFID	<a href="http://www.ti-rfid.com">www.ti-rfid.com</a>	Space, Avionics & Defense	<a href="http://www.ti.com/space-avionics-defense">www.ti.com/space-avionics-defense</a>
RF/IF and ZigBee® Solutions	<a href="http://www.ti.com/lprf">www.ti.com/lprf</a>	Video and Imaging	<a href="http://www.ti.com/video">www.ti.com/video</a>
		Wireless	<a href="http://www.ti.com/wireless-apps">www.ti.com/wireless-apps</a>

Mailing Address: Texas Instruments, Post Office Box 655303, Dallas, Texas 75265  
Copyright © 2010, Texas Instruments Incorporated