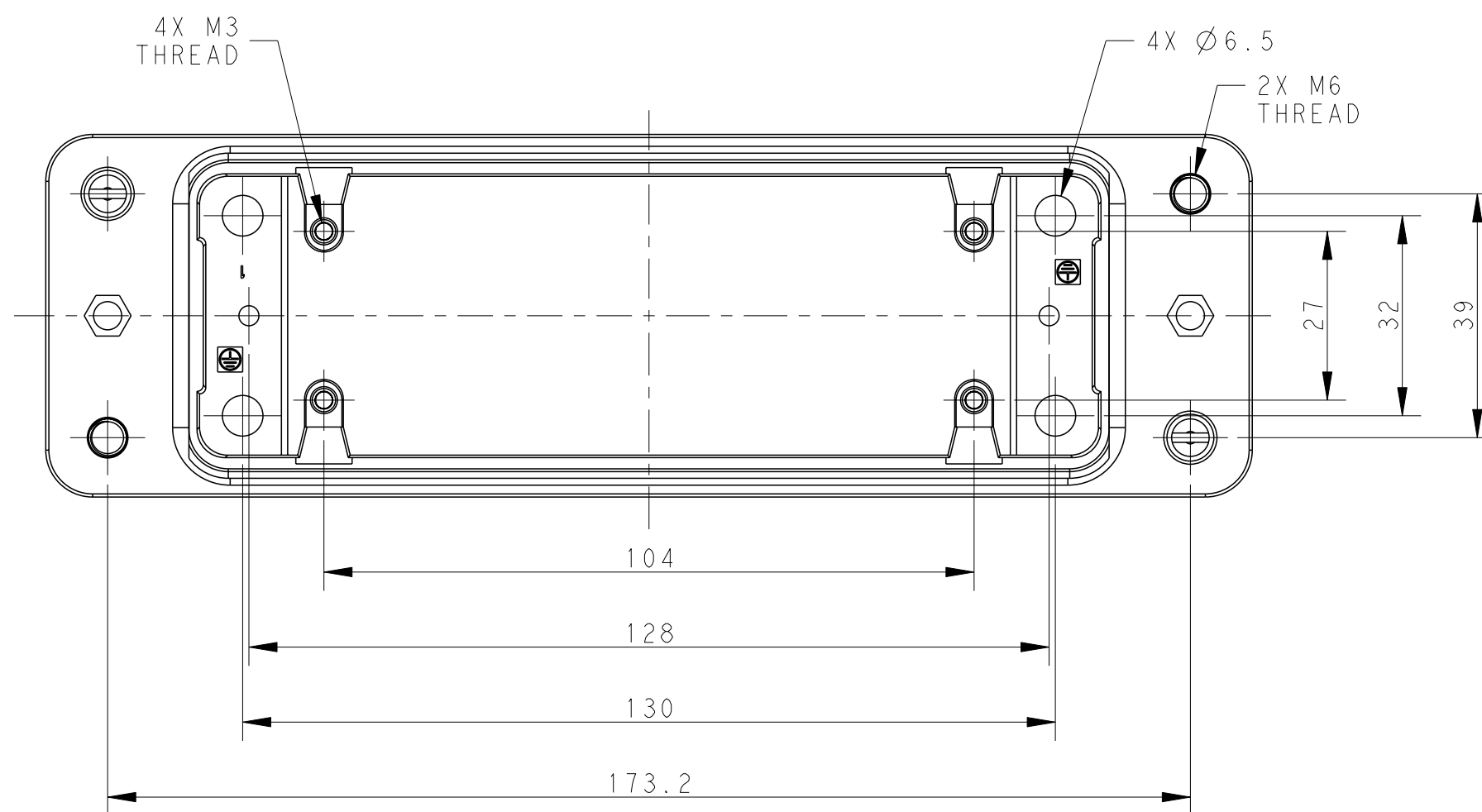


THIS DRAWING IS UNPUBLISHED. RELEASED FOR PUBLICATION
 © COPYRIGHT copyright.d8Te- ALL RIGHTS RESERVED.

REVISIONS					
P	LTR	DESCRIPTION	DATE	DWN	APVD
	A	INITIAL	17JUN2016	RL	CW
	A1	ECR-16-012141	30AUG2016	RL	CW
	A2	ECR-16-015006	26OCT2016	RL	CW
	B	ECR-20-014403	20MAY2021	BS	CW

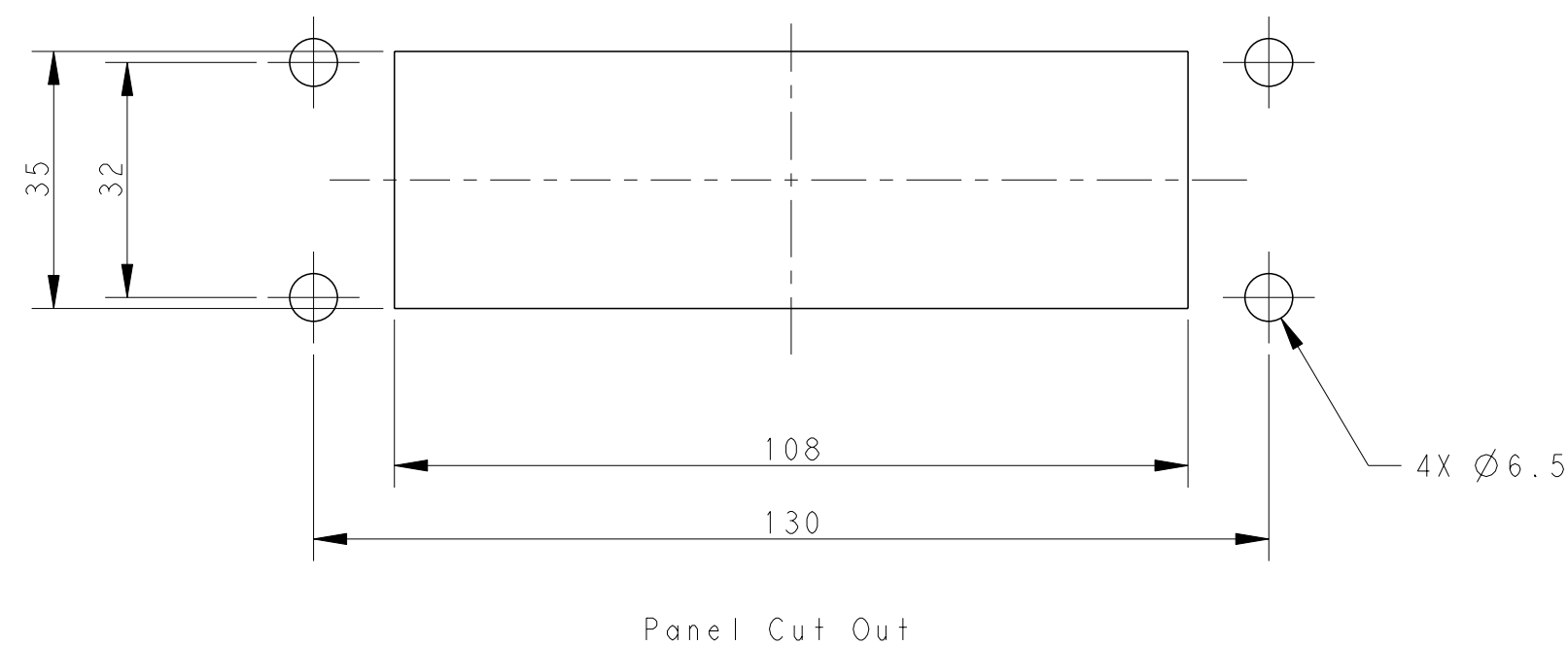
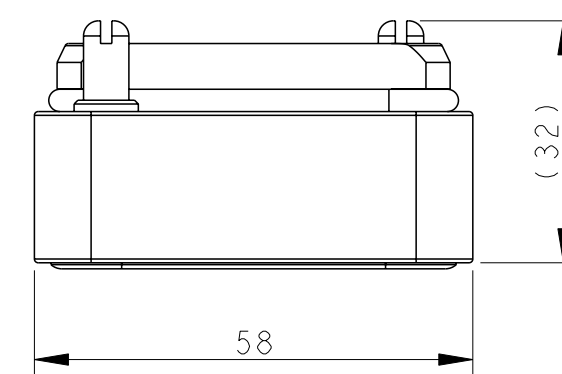
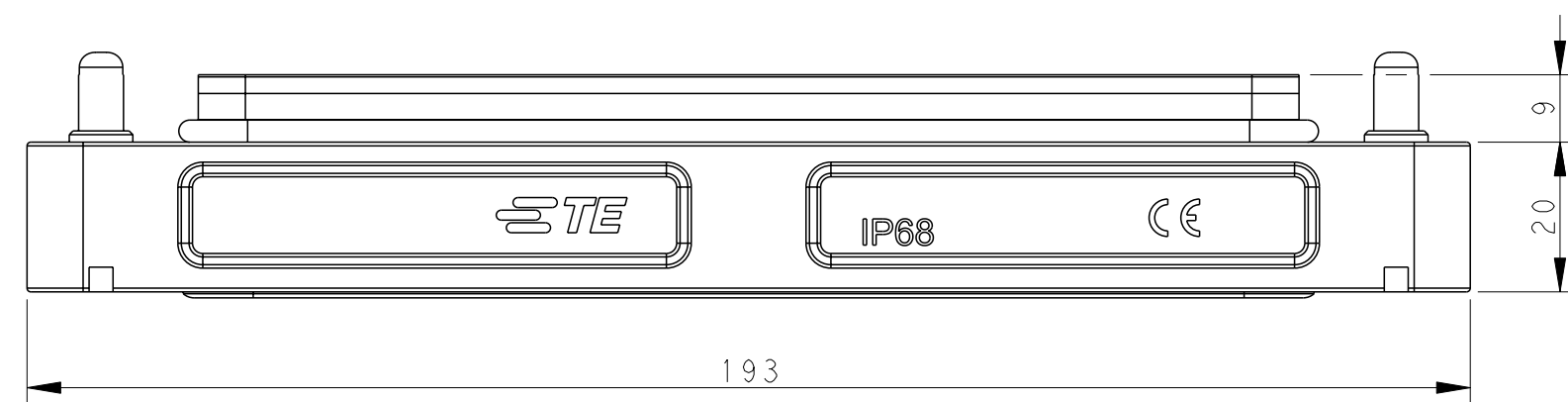
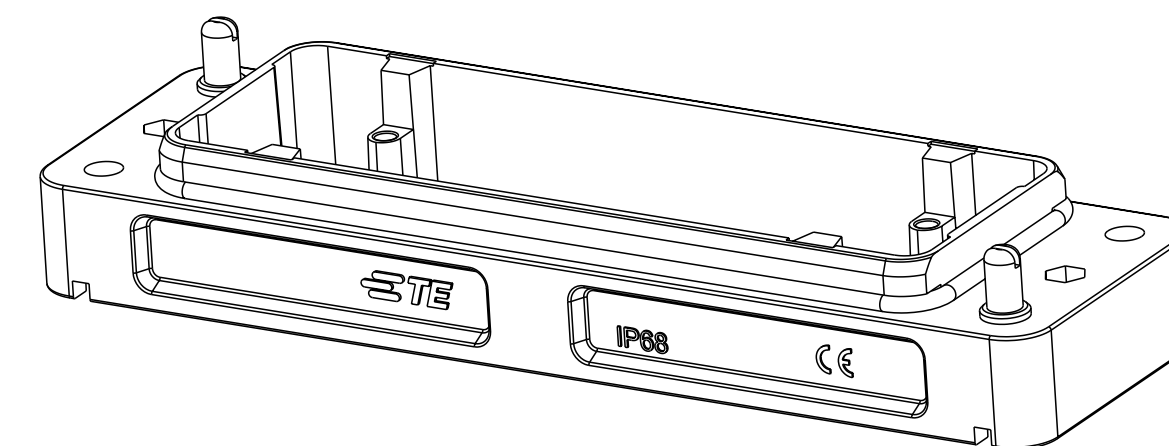


NOTES:

- 1. TECHNICAL CHARACTERISTICS:
 HOOD MATERIAL: DIE CAST ALUMINIUM ALLOY
 SURFACE TREATMENT: POWDER COATED, BLACK
 DEGREE OF PROTECTION: IP68 (MATED)

注释:

- 1. 技术参数:
 壳体材料: 铝合金
 表面处理: 黑色粉末喷涂
 防护等级: IP68 (配合)



T1936240000-000	H24BPR-AG-4S	H24BPR HOUSING, QUADRANGLED LOCKING, BULKHEAD MOUNTED, POWDER COATED, BLACK H24BPR下壳, 四角锁定, 开孔安装, 黑色粉末喷涂
PART NUMBER 料号	PART DESCRIPTION 描述	

THIS DRAWING IS A CONTROLLED DOCUMENT.		DWN ROY LIU 17JUN2016	TE Connectivity	
DIMENSIONS: mm		CHK KYLE ZENG 17JUN2016		
TOLERANCES UNLESS OTHERWISE SPECIFIED:		APVD CHRIS WANG 17JUN2016	NAME H24BPR-AG-4S	
0 PLC ± 1 PLC ± 2 PLC ± 3 PLC ± 4 PLC ± ANGLES ±		PRODUCT SPEC 108-137014	SIZE A2	
MATERIAL -		APPLICATION SPEC 114-137014	CAGE CODE -	DRAWING NO G-T193624000000X
FINISH -		WEIGHT -	RESTRICTED TO	SCALE 1:1 SHEET 1 OF 1 REV B
CUSTOMER DRAWING				