

TMS470MF04207/TMS470MF03107 16/32-Bit RISC Flash Microcontroller

Check for Samples: [TMS470MF04207](#), [TMS470MF03107](#)

1 Features

- High-Performance Automotive Grade Microcontroller with Safety Features
 - Full Automotive Temperature Range
 - ECC on Flash and SRAM
 - CPU and Memory BIST (Built-In Self Test)
- ARM Cortex™-M3 32-Bit RISC CPU
 - Efficient 1.2 DMIPS/MHz
 - Optimized Thumb2 Instruction Set
 - Memory Protection Unit (MPU)
 - Open Architecture With Third-Party Support
 - Built-In Debug Module
- Operating Features
 - Up to 80MHz System Clock
 - Single 3.3V Supply Voltage
- Integrated Memory
 - 448KB Total Program Flash with ECC
 - Support for Flash EEPROM Emulation
 - 24K-Byte Static RAM (SRAM) with ECC
- Key Peripherals
 - High-End Timer, MibADC, CAN, MibSPI
- Common TMS470M/570 Platform Architecture
 - Consistent Memory Map across the family
 - Real-Time Interrupt Timer (RTI)
 - Digital Watchdog
 - Vectored Interrupt Module (VIM)
 - Cyclic Redundancy Checker (CRC)
- Frequency-Modulated Zero-Pin Phase-Locked Loop (FMzPLL)-Based Clock Module
 - Oscillator and PLL clock monitor
- Up to 49 Peripheral IO pins
 - 4 Dedicated GIO - w/ External Interrupts
- Two External Clock Prescale (ECP) Modules
 - Programmable Low-Frequency External Clock (ECLK)
 - One Dedicated Pin and One Muxed ECLK/HET pin
- Communication Interfaces
 - Two CAN Controllers
 - One with 32 mailboxes, one with 16
 - Parity on mailbox RAM
 - Two Multi-buffered Serial Peripheral Interface (MibSPI)
 - 12 total chip selects
 - 64 buffers with parity on each
 - Two UART (SCI) interfaces
 - H/W Support for Local Interconnect Network (LIN 2.1 master mode)
- High-End Timer (HET)
 - Up to 16 Programmable I/O Channels
 - 128-Word High-End Timer RAM with Parity
- 16-Channel 10-Bit Multi-Buffered ADC (MibADC)
 - 64-Word FIFO Buffer with Parity
 - Single- or Continuous-Conversion Modes
 - 1.55 μ s Minimum Sample/Conversion Time
 - Calibration Mode and Self-Test Features
- On-Chip Scan-Base Emulation Logic
 - IEEE Standard 1149.1 (JTAG) Test-Access Port and Boundary Scan
- Packages supported
 - 100-Pin Plastic Quad Flatpack (PZ Suffix)
 - Green/Lead-Free
- Development Tools Available
 - Development Boards
 - Code Composer Studio™ Integrated Development Environment (IDE)
 - HET Assembler and Simulator
 - nowFlash™ Flash Programming Tool
- Community Resources
 - [TI E2E Community](#)



Please be aware that an important notice concerning availability, standard warranty, and use in critical applications of Texas Instruments semiconductor products and disclaimers thereto appears at the end of this data sheet.

1.1 PZ Package Views

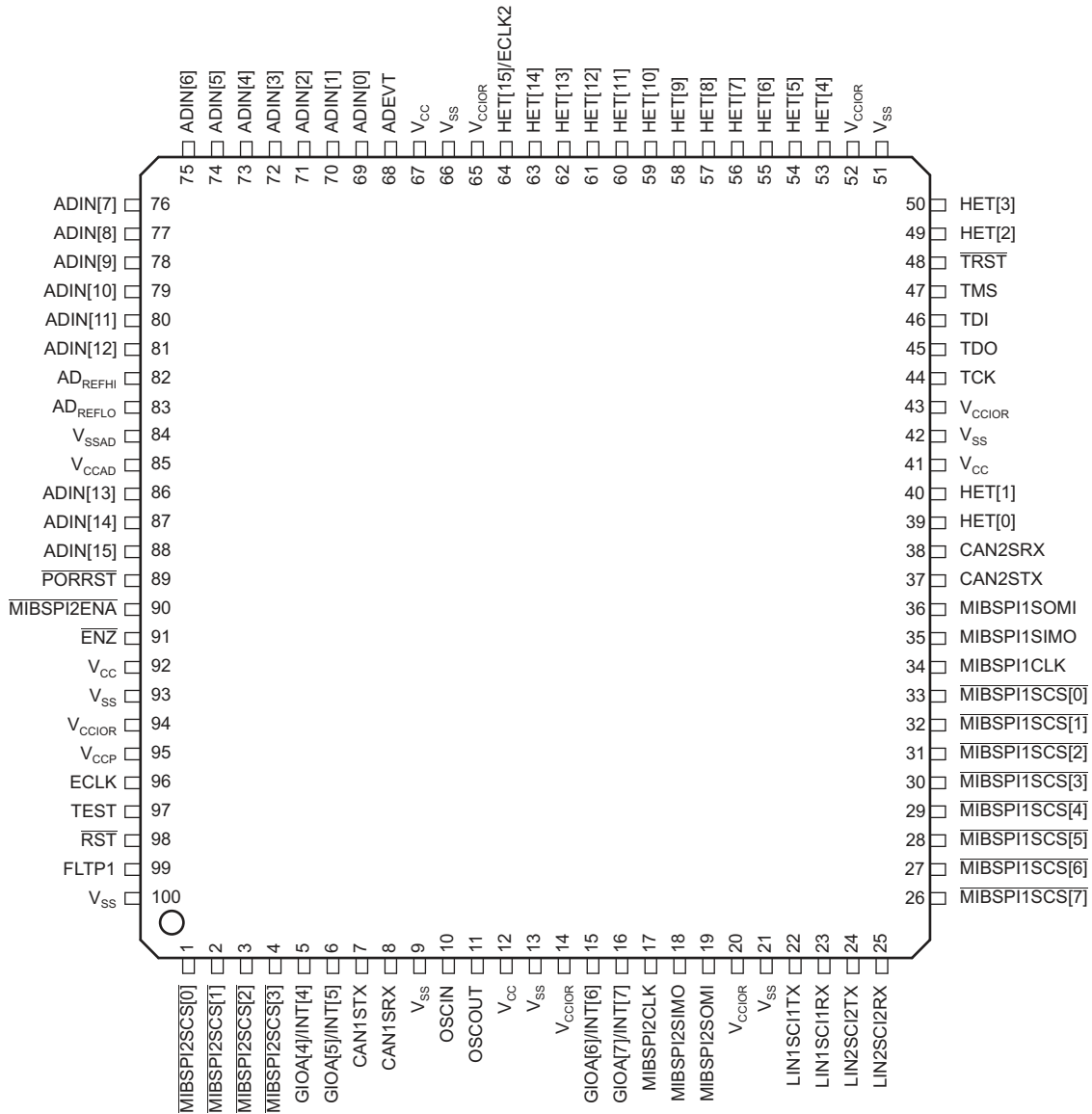


Figure 1-1. TMS470MF04207 and TMS470MF03107 100-Pin PZ Package (Top View)

1.2 Description

The TMS470MF04207/03107 devices are members of the Texas Instruments TMS470M family of Automotive Grade 16/32-bit reduced instruction set computer (RISC) microcontrollers. The TMS470M microcontrollers offer high performance utilizing the high efficiency Cortex™-M3 16/32-bit RISC central processing unit (CPU), resulting in a high instruction throughput while maintaining greater code efficiency. The TMS470M devices utilize the big-endian format where the most-significant byte of a word is stored at the lowest numbered byte and the least-significant byte is stored at the highest numbered byte.

High-end embedded control applications demand more performance from their controllers while maintaining low costs. The TMS470M microcontroller architecture offers solutions to these performance and cost demands while maintaining low power consumption.

The TMS470MF04207/03107 device contains the following:

- 16/32-Bit RISC CPU Core
- TMS470MF04207 Up to 448K-Byte Program Flash with SECDED ECC
- TMS470MF03107 Up to 320K-Byte Program Flash with SECDED ECC
- 64K-Byte Flash with SECDED ECC for additional program space or EEPROM Emulation
- Up to 24K-Byte Static RAM (SRAM) with SECDED ECC
- Real-Time Interrupt Timer (RTI)
- Vectored Interrupt Module (VIM)
- Hardware built-in self-test (BIST) checkers for SRAM (MBIST) and CPU (LBIST)
- 64-bit Cyclic Redundancy Checker (CRC)
- Frequency-Modulated Zero-Pin Phase-Locked Loop (FMzPLL)-Based Clock Module With Prescaler
- Two Multi-buffered Serial Peripheral Interfaces (MibSPI)
- Two UARTs (SCI) with Local Interconnect Network Interfaces (LIN)
- Two CAN Controller (DCAN)
- High-End Timer (HET)
- External Clock Prescale (ECP) Module
- One 16-Channel 10-Bit Multi-Buffered ADC (MibADC)
- Error Signaling Module (ESM)
- Four Dedicated General-Purpose I/O (GIO) Pins and 45 Additional Peripheral I/Os (100-Pin Package)

The TMS470M memory includes general-purpose SRAM supporting single-cycle read/write accesses in byte, half-word, and word modes. The SRAM on the TMS470M devices can be protected by means of ECC. This feature utilizes a single error correction and double error detection circuit (SECDED circuit) to detect and optionally correct single bit errors as well as detect all dual bit and some multi-bit errors. This is achieved by maintaining an 8-bit ECC checksum/code for each 64-bit double-word of memory space in a separate ECC RAM memory space.

The flash memory on this device is a nonvolatile, electrically erasable and programmable memory. It is implemented with a 144-bit wide data word (128-bit without ECC) and a 64-bit wide flash module interface. The flash operates with a system clock frequency of up to 28 MHz. Pipeline mode, which allows linear prefetching of flash data, enables a system clock of up to 80 MHz.

The enhanced real-time interrupt (RTI) module on the TMS470M devices has the option to be driven by the oscillator clock. The digital watchdog (DWD) is a 25-bit resettable decrementing counter that provides a system reset when the watchdog counter expires.

The TMS470M devices have six communication interfaces: two LIN/SCIs, two DCANs, and two MibSPIs. The LIN is the Local Interconnect Network standard and also supports an SCI mode. SCI can be used in a full-duplex, serial I/O interface intended for asynchronous communication between the CPU and other peripherals using the standard non-return-to-zero (NRZ) format. The DCAN uses a serial, multimaster communication protocol that efficiently supports distributed real-time control with robust communication

rates of up to 1 megabit per second (Mbps). The DCAN is ideal for applications operating in noisy and harsh environments (e.g., automotive and industrial fields) that require reliable serial communication or multiplexed wiring. The MibSPI provides a convenient method of serial interaction for high-speed communications between similar shift-register type devices. The MibSPI provides the standard SOMI, SIMO, and SPI clock interface as well as up to eight chip select lines.

The HET is an advanced intelligent timer that provides sophisticated timing functions for real-time applications. The timer is software-controlled, using a reduced instruction set, with a specialized timer micromachine and an attached I/O port. The HET can be used for compare, capture, or general-purpose I/O. It is especially well suited for applications requiring multiple sensor information and drive actuators with complex and accurate time pulses. The TMS470M HET peripheral contains the XOR-share feature. This feature allows two adjacent HET high-resolution channels to be XORed together, making it possible to output smaller pulses than a standard HET.

The TMS470M devices have one 10-bit-resolution, sample-and-hold MibADC. Each of the MibADC channels can be grouped by software for sequential conversion sequences. There are three separate groupings, all three of which can be triggered by an external event. Each sequence can be converted once when triggered or configured for continuous conversion mode.

The frequency-modulated zero-pin phase-locked loop (FMzPLL) clock module contains a phase-locked loop, a clock-monitor circuit, a clock-enable circuit, and a prescaler. The function of the FMzPLL is to multiply the external frequency reference to a higher frequency for internal use. The FMzPLL provides the input to the global clock module (GCM). The GCM module subsequently provides system clock (HCLK), real-time interrupt clock (RTICK), CPU clock (GCLK), HET clock (VCLK2), DCAN clock (AVCLK1), and peripheral interface clock (VCLK) to all other TMS470M device modules.

The TMS470MF04207/TMS470MF03107 devices also have two external clock prescaler (ECP) modules that when enabled, output a continuous external clock (ECLK). The ECLK1 frequency is a user-programmable ratio of the peripheral interface clock (VCLK) frequency. The second ECLK output can be selected in place of HET15 output. It shares the same source clock as ECLK1 but can be independently programmed for a separate output frequency from ECLK1.

An error signaling module (ESM) provides a common location within the device for error reporting allowing efficient error checking and identification.

1.3 Functional Block Diagram

Figure 1-2 shows the functional block diagram of the TMS470M devices.

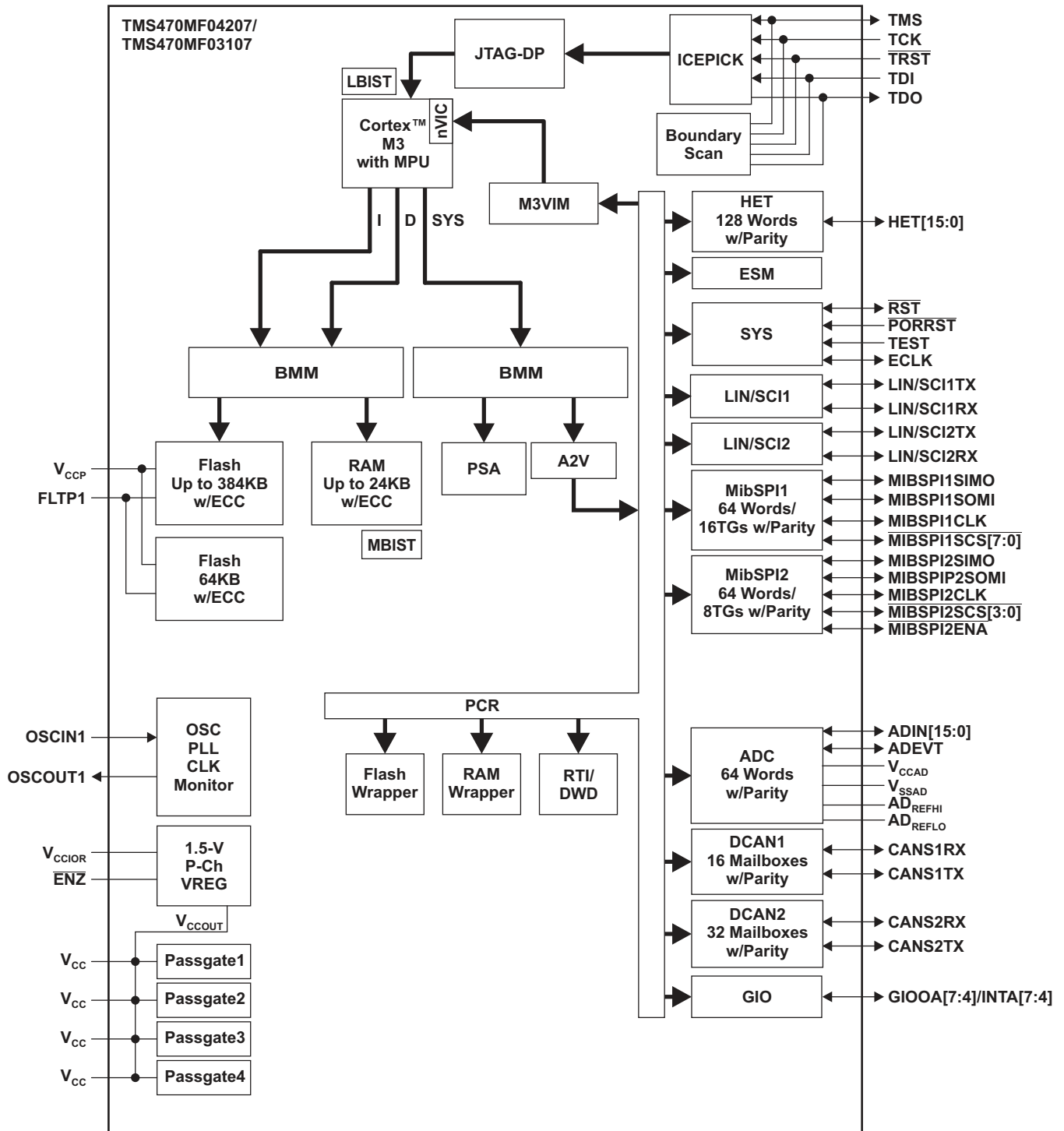


Figure 1-2. TMS470M Functional Block Diagram

1.4 Terms and Acronyms

Table 1-1. Terms and Acronyms

| Terms and Acronyms | Description | Comments |
|--------------------|--|---|
| A2V | AHB to VBUSP Bridge | The A2V bridge provides the memory interface between the proprietary TI VBUSP and the ARM AHB bus in the TMS470 platform devices. |
| ADC | Analog To Digital Converter | |
| AHB | Advanced High-performance Bus | Part of the M3 core |
| BMM | Bus Matrix Master | The BMM provides connectivity between different bus slave modules to different bus master modules. Accesses from different master modules are executed in parallel if no resource conflict occurs or if the master modules are kept in series through arbitration |
| CRC | Cyclic Redundancy Check Controller | |
| DAP | Debug Access Port | DAP is an implementation of an ARM Debug Interface. |
| DCAN | Controller Area Network | |
| DWD | Digital Watchdog | |
| ECC | Error Correction Code | |
| ESM | Error Signaling Module | |
| GIO | General-Purpose Input/Output | |
| HET | High-End Timer | |
| ICEPICK | In Circuit Emulation TAP (Test Access Port) Selection Module | ICEPick can connect or isolate a module level TAP to or from a higher level chip TAP. ICEPick was designed with both emulation and test requirements in mind. |
| JTAG | Joint Test Access Group | IEEE Committee responsible for Test Access Ports |
| JTAG-DP | JTAG Debug Port | JTAG-DP contains a debug port state machine (JTAG) that controls the JTAG-DP operation, including controlling the scan chain interface that provides the external physical interface to the JTAG-DP. It is based closely on the JTAG TAP State Machine, see IEEE Std 1149.1-2001. |
| LBIST | Logic Built-In Self Test | Test the integrity of M3 CPU |
| LIN | Local Interconnect Network | |
| M3VIM | Cortex-M3 Vectored Interrupt Manager | |
| MBIST | Memory Built-In Self Test | Test the integrity of SRAM |
| MibSPI | Multi-Buffered Serial Peripheral Interface | |
| MPU | Protection Unit | |
| NVIC | Nested Vectored Interrupt Controller | Part of the M3 core |
| OSC | Oscillator | |
| PCR | Peripheral Central Resource | |
| PLL | Phase-Locked Loop | |
| PSA | Parallel Signature Analysis | |
| RTI | Real-Time Interrupt | |
| SCI | Serial Communication Interface | |
| SECEDED | Single Error Correction and Double Error Detection | |
| STC | Self Test Controller | |
| SYS | System Module | |
| VBUS | Virtual Bus | One of the protocols that comprises CBA (Common Bus Architecture) |
| VBUSP | Virtual Bus-Pipelined | One of the protocols that comprises CBA (Common Bus Architecture) |
| VREG | Voltage Regulator | |

| | | | | | |
|----------|---|---------------------------|--|--|--|
| 1 | Features | 1 | | | |
| 1.1 | PZ Package Views | 2 | | | |
| 1.2 | Description | 3 | | | |
| 1.3 | Functional Block Diagram | 5 | | | |
| 1.4 | Terms and Acronyms | 6 | | | |
| 2 | Device Overview | 8 | | | |
| 2.1 | Memory Map Summary | 9 | | | |
| 2.2 | Terminal Functions | 14 | | | |
| 2.3 | Device Support | 18 | | | |
| 3 | Device Configurations | 20 | | | |
| 3.1 | Reset/Abort Sources | 20 | | | |
| 3.2 | Lockup Reset Module | 21 | | | |
| 3.3 | ESM Assignments | 21 | | | |
| 3.4 | Interrupt Priority (M3VIM) | 22 | | | |
| 3.5 | MibADC | 23 | | | |
| 3.6 | MibSPI | 24 | | | |
| 3.7 | JTAG ID | 25 | | | |
| 3.8 | Scan Chains | 25 | | | |
| 3.9 | Adaptive Impedance 4 mA IO Buffer | 25 | | | |
| 3.10 | Built-In Self Test (BIST) Features | 29 | | | |
| 3.11 | Device Identification Code Register | 32 | | | |
| 3.12 | Device Part Numbers | 33 | | | |
| 4 | Device Operating Conditions | 34 | | | |
| 4.1 | Absolute Maximum Ratings Over Operating Free-Air Temperature Range, Q Version | 34 | | | |
| 4.2 | Device Recommended Operating Conditions | 34 | | | |
| 4.3 | Electrical Characteristics Over Recommended Operating Free-Air Temperature Range, Q Version | 35 | | | |
| 5 | Peripheral Information and Electrical Specifications | 36 | | | |
| 5.1 | \overline{RST} and \overline{PORRST} Timings | 36 | | | |
| 5.2 | PLL and Clock Specifications | 39 | | | |
| 5.3 | SPIn Master Mode Timing Parameters | 50 | | | |
| 5.4 | SPIn Slave Mode Timing Parameters | 54 | | | |
| 5.5 | CAN Controller (DCANn) Mode Timings | 58 | | | |
| 5.6 | High-End Timer (HET) Timings | 58 | | | |
| 5.7 | Multi-Buffered A-to-D Converter (MibADC) | 59 | | | |
| 6 | Revision History | 63 | | | |
| 7 | Mechanical Data | 64 | | | |
| 7.1 | Thermal Data | 64 | | | |
| 7.2 | Packaging Information | 64 | | | |

2 Device Overview

The TMS470MF04207/03107 device is a TMS470M Platform Architecture implemented in F035 130-nm TI technology. [Table 2-1](#) identifies all the characteristics of the TMS470MF04207/03107 device except the SYSTEM and CPU, which are generic.

Table 2-1. Device Characteristics

| CHARACTERISTICS | DEVICE DESCRIPTION TMS470MF04207/03107 | COMMENTS FOR TMS470M |
|---|---|---|
| MEMORY | | |
| INTERNAL MEMORY | Pipeline/Non-Pipeline 2 Banks with up to 448K-Byte Flash with ECC Up to 24K-Byte SRAM with ECC CRC, 1-channel | Flash is pipeline-capable |
| PERIPHERALS | | |
| For the device-specific interrupt priority configurations, see Table 3-4 . For the peripheral address ranges and their peripheral selects, see Table 2-7 . | | |
| CLOCK | FMzPLL | Frequency-modulated zero-pin PLL has no external loop filter pins. |
| GENERAL-PURPOSE I/Os | 4 I/O | The GIOA port has up to four (4) external pins with external interrupt capability. |
| LIN/SCI | 2 LIN/SCI | |
| DCAN | 2 DCAN | Each with 16/32 mailboxes, respectively. |
| MibSPI | 2 MibSPI | One MibSPI with eight chip select pins, 16 transfer groups, and a 64 word buffer with parity. A second MibSPI with four chip select pins, 1 enable pin, 8 transfer groups, and a 64 word buffer with parity. |
| HET with XOR Share | 16 I/O | The high-resolution (HR) SHARE feature allows even-numbered HR pins to share the next higher odd-numbered HR pin structures. This HR sharing is independent of whether or not the odd pin is available externally. If an odd pin is available externally and shared, then the odd pin can only be used as a general-purpose I/O. HET RAM with parity checking capability. |
| HET RAM | 128-Instruction Capacity | |
| MibADC | 10-bit, 16-channel 64-word FIFO | MibADC RAM includes parity support. |
| CORE VOLTAGE | 1.55 V | The core voltage is supplied and regulated by the device's internal voltage regulator. There is not need for an externally supplied core voltage. |
| I/O VOLTAGE | 3.3 V | |
| PINS | 100 | Available in a 100-pin package. |
| PACKAGE | PZ (100 pin) | The 100-pin package designator is PZ. |

2.1 Memory Map Summary

2.1.1 Memory Map

Figure 2-1 and Figure 2-2 show the TMS470MF04207 and TMS470MF03107 memory maps.

| | |
|------------|---------------------------------------|
| 0xFFFFFFF | SYSTEM Module |
| 0xFFFF8000 | |
| 0xFFFF7FFF | |
| 0xFF00000 | Peripherals |
| 0xFEFFFFFF | |
| 0xFE00000 | |
| | PSA |
| | |
| | |
| 0x08405FFF | RAM - ECC |
| 0x0840000 | |
| 0x08105FFF | RAM - CLR Space ^(A) (24KB) |
| 0x0810000 | |
| 0x08085FFF | RAM - SET Space ^(A) (24KB) |
| 0x0808000 | |
| 0x08005FFF | RAM (24KB) |
| 0x0800000 | |
| 0x0047FFF | FLASH - ECC (Bank 1) |
| 0x0044000 | |
| 0x0042FFF | FLASH - ECC (Bank 0) |
| 0x0040000 | |
| 0x0008FFF | FLASH (64KB - Bank 1) |
| 0x0008000 | |
| 0x0005FFF | FLASH (384KB - Bank 0) |
| 0x0000000 | |

- A. The RAM supports bit access operation which allows set/clear to dedicated bits without disturbing the other bits; for detailed description, see the Architecture Specification.

Figure 2-1. TMS470MF04207 Memory Map

| | |
|-------------|---------------------------------------|
| 0xFFFFFFFF | SYSTEM Module |
| 0xFFFF80000 | |
| 0xFFFF7FFFF | |
| 0xFF000000 | Peripherals |
| 0xFEFFFFFF | |
| 0xFE000000 | PSA |
| | |
| | |
| 0x08403FFF | RAM - ECC |
| 0x08400000 | |
| 0x08103FFF | RAM - CLR Space ^(A) (16KB) |
| 0x08100000 | |
| 0x08083FFF | RAM - SET Space ^(A) (16KB) |
| 0x08080000 | |
| 0x08003FFF | RAM (16KB) |
| 0x08000000 | |
| 0x00447FFF | FLASH - ECC (Bank 1) |
| 0x00440000 | |
| 0x0041FFFF | FLASH - ECC (Bank 0) |
| 0x00400000 | |
| 0x0008FFFF | FLASH (64KB - Bank 1) |
| 0x00080000 | |
| 0x0003FFFF | FLASH (256KB - Bank 0) |
| | |
| 0x00000000 | |

- A. The RAM supports bit access operation which allows set/clear to dedicated bits without disturbing the other bits; for detailed description, see the Architecture Specification.

Figure 2-2. TMS470MF03107 Memory Map

2.1.2 Memory Selects

Memories in the TMS470M devices are located at fixed addresses. [Table 2-2](#) through [Table 2-7](#) detail the mapping of the memory regions.

Table 2-2. TMS470MF04207-Specific Memory Frame Assignment

| MEMORY FRAME NAME | START ADDRESS | ENDING ADDRESS | MEMORY TYPE | ACTUAL MEMORY |
|-----------------------|---------------|----------------|------------------|---------------|
| nCS0 ⁽¹⁾ | 0x0000 0000 | 0x0005 FFFF | Flash | 384K Bytes |
| | 0x0008 0000 | 0x0008 FFFF | Flash | 64K Bytes |
| RAM-CLR | 0x0810 0000 | 0x0810 5FFF | Internal RAM | 24K Bytes |
| RAM-SET | 0x0808 0000 | 0x0808 5FFF | Internal RAM | 24K Bytes |
| CSRAM0 ⁽¹⁾ | 0x0800 0000 | 0x0800 5FFF | Internal RAM | 24K Bytes |
| | 0x0840 0000 | 0x0840 5FFF | Internal RAM-ECC | 24K Bytes |

- (1) Additional address mirroring could be present resulting in invalid but addressable locations beyond those listed above. TI recommends the use of the MPU for protecting access to addresses outside the intended range of use.

Table 2-3. TMS470MF03107-Specific Memory Frame Assignment

| MEMORY FRAME NAME | START ADDRESS | ENDING ADDRESS | MEMORY TYPE | ACTUAL MEMORY |
|-----------------------|---------------|----------------|------------------|---------------|
| nCS0 ⁽¹⁾ | 0x0000 0000 | 0x0003 FFFF | Flash | 256K Bytes |
| | 0x0008 0000 | 0x0008 FFFF | Flash | 64K Bytes |
| RAM-CLR | 0x0810 0000 | 0x0810 3FFF | Internal RAM | 16K Bytes |
| RAM-SET | 0x0808 0000 | 0x0808 3FFF | Internal RAM | 16K Bytes |
| CSRAM0 ⁽¹⁾ | 0x0800 0000 | 0x0800 3FFF | Internal RAM | 16K Bytes |
| | 0x0840 0000 | 0x0840 3FFF | Internal RAM-ECC | 16K Bytes |

- (1) Additional address mirroring could be present resulting in invalid but addressable locations beyond those listed above. TI recommends the use of the MPU for protecting access to addresses outside the intended range of use.

Table 2-4. Memory Initialization and MBIST

| CONNECTING MODULE | ADDRESS RANGE | | MEMORY INITIALIZATION CHANNEL | MBIST CONTROLLER ENABLE CHANNEL |
|----------------------------|----------------|----------------|-------------------------------|---------------------------------|
| | BASE ADDRESS | ENDING ADDRESS | | |
| System RAM (TMS470MF04207) | 0x0800 0000 | 0x0800 5FFF | 0 | 0 |
| System RAM (TMS470MF03107) | 0x0800 0000 | 0x0800 3FFF | 0 | 0 |
| MibSPI1 RAM | 0xFF0E 0000 | 0xFF0F FFFF | 1 | 1 or 2 ⁽¹⁾ |
| MibSPI2 RAM | 0xFF0C 0000 | 0xFF0D FFFF | 2 | |
| DCAN1 RAM | 0xFF1E 0000 | 0xFF1F FFFF | 3 | 3 or 4 ⁽¹⁾ |
| DCAN2 RAM | 0xFF1C 0000 | 0xFF1D FFFF | 4 | |
| ADC RAM | 0xFF3E 0000 | 0xFF3F FFFF | 5 | 5 |
| HET RAM | 0xFF46 0000 | 0xFF47 FFFF | Not Available | 6 |
| STC ROM | Not Applicable | Not Applicable | Not Applicable | 7 |

- (1) There are single MBIST controllers for both MibSPI RAMs and both DCAN RAMs. The MBIST controller for both MibSPI RAMs is mapped to channels 1 and 2 and the MBIST controller for both DCAN RAMs is mapped to channels 3 and 4. MBIST on these modules can be initiated by selecting one of the 2 channels or both.

Table 2-5. Peripheral Memory Chip Select Assignment

| CONNECTING MODULE | ADDRESS RANGE | | PERIPHERAL SELECTS |
|-------------------|---------------|----------------|--------------------|
| | BASE ADDRESS | ENDING ADDRESS | |
| MibSPI1 RAM | 0xFF0E 0000 | 0xFF0F FFFF | PCS[7] |
| MibSPI2 RAM | 0xFF0C 0000 | 0xFF0D FFFF | PCS[6] |
| DCAN1 RAM | 0xFF1E 0000 | 0xFF1F FFFF | PCS[14] |
| DCAN2 RAM | 0xFF1C 0000 | 0xFF1D FFFF | PCS[15] |

Table 2-5. Peripheral Memory Chip Select Assignment (continued)

| CONNECTING MODULE | ADDRESS RANGE | | PERIPHERAL SELECTS |
|-------------------|---------------|----------------|--------------------|
| | BASE ADDRESS | ENDING ADDRESS | |
| ADC RAM | 0xFF3E 0000 | 0xFF3F FFFF | PCS[31] |
| HET RAM | 0xFF46 0000 | 0xFF47 FFFF | PCS[35] |

NOTE

All used peripheral memory chip selects should decode down to the smallest possible address for this particular peripheral configuration, starting from 4kB upwards. Unused addresses should generate an illegal address error when accessed.

Table 2-6. System Peripheral Registers

| FRAME NAME | ADDRESS RANGE | |
|--------------------------|---------------------|----------------------|
| | FRAME START ADDRESS | FRAME ENDING ADDRESS |
| PSA | 0xFE00 0000 | 0xFEFF FFFF |
| Flash Wrapper Registers | 0xFFF8 7000 | 0xFFF8 7FFF |
| PCR Register | 0xFFFF E000 | 0xFFFF E0FF |
| System Frame 2 Registers | 0xFFFF E100 | 0xFFFF E1FF |
| CPU STC (LBIST) | 0xFFFF E400 | 0xFFFF E4FF |
| ESM Register | 0xFFFF F500 | 0xFFFF F5FF |
| RAM ECC Register | 0xFFFF F900 | 0xFFFF F9FF |
| RTI Register | 0xFFFF FC00 | 0xFFFF FCFF |
| VIM Register | 0xFFFF FE00 | 0xFFFF FEFF |
| System Registers | 0xFFFF FF00 | 0xFFFF FFFF |

Table 2-7. Peripheral Select Map with Address Range

| CONNECTING MODULE | BASE ADDRESS | END ADDRESS | PERIPHERAL SELECTS |
|-------------------|--------------|-------------|--------------------|
| MibSPI2 | 0xFFF7 F600 | 0xFFF7 F7FF | PS[2] |
| MibSPI1 | 0xFFF7 F400 | 0xFFF7 F5FF | |
| LIN/SCI1 | 0xFFF7 E500 | 0xFFF7 E5FF | PS[6] |
| LIN/SCI2 | 0xFFF7 E400 | 0xFFF7 E4FF | |
| DCAN2 | 0xFFF7 DE00 | 0xFFF7 DFFF | PS[8] |
| DCAN1 | 0xFFF7 DC00 | 0xFFF7 DDFD | |
| ADC | 0xFFF7 C000 | 0xFFF7 C1FF | PS[15] |
| GIO | 0xFFF7 BC00 | 0xFFF7 BCFF | PS[16] |
| HET | 0xFFF7 B800 | 0xFFF7 B8FF | PS[17] |

2.1.3 Flash Memory

When in pipeline mode, the Flash operates with a system clock frequency of up to 80 MHz (versus a system clock in non-pipeline mode of up to 28 MHz). Flash in pipeline mode is capable of accessing 128-bit words and provides four 32-bit pipelined words to the CPU.

NOTE

1. After a system reset, pipeline mode is **disabled** [FRDCNTL[2:0] is 000b, see the Flash chapter in the *TMS470M Series Technical Reference Manual* (literature number SPNU495)]. In other words, the device powers up and comes out of reset in **non-pipeline mode**.
2. **The flash external pump voltage (V_{CCP}) is required for all operations (program, erase, and read).**

2.1.4 Flash Program and Erase

The TMS470MF04207/TMS470MF03107 devices flash contain one 384/256K-byte memory array (or bank) and one 64K-byte bank for a total of up to 12 sectors. [Table 2-8](#) and [Table 2-9](#) show the TMS470MF04207 and TMS470MF03107 flash memory banks and sectors.

The minimum size for an erase operation is one sector. The maximum size for a program operation is one 32-bit word.

Table 2-8. TMS470MF04207 Flash Memory Banks and Sectors

| SECTOR NO. | SEGMENT | LOW ADDRESS | HIGH ADDRESS | MEMORY ARRAYS (OR BANKS) |
|------------|---------|-------------|--------------|--------------------------------------|
| 0 | 16k | 0x0000 0000 | 0x0000 3FFF | BANK 0 (384K Bytes) |
| 1 | 16k | 0x0000 4000 | 0x0000 7FFF | |
| 2 | 32k | 0x0000 8000 | 0x0000 FFFF | |
| 3 | 64k | 0x0001 0000 | 0x0001 FFFF | |
| 4 | 64k | 0x0002 0000 | 0x0002 FFFF | |
| 5 | 64k | 0x0003 0000 | 0x0003 FFFF | |
| 6 | 64k | 0x0004 0000 | 0x0004 FFFF | |
| 7 | 64k | 0x0005 0000 | 0x0005 FFFF | |
| 0 | 16k | 0x0008 0000 | 0x0008 3FFF | BANK 1 ⁽¹⁾ (64K Bytes) |
| 1 | 16k | 0x0008 4000 | 0x0008 7FFF | |
| 2 | 16k | 0x0008 8000 | 0x0008 BFFF | |
| 3 | 16k | 0x0008 C000 | 0x0008 FFFF | |

(1) Bank 1 can be used as either EEPROM emulation space or as program space.

Table 2-9. TMS470MF03107 Flash Memory Banks and Sectors

| SECTOR NO. | SEGMENT | LOW ADDRESS | HIGH ADDRESS | MEMORY ARRAYS (OR BANKS) |
|------------|---------|-------------|--------------|--------------------------------------|
| 0 | 16k | 0x0000 0000 | 0x0000 3FFF | BANK 0 (256K Bytes) |
| 1 | 16k | 0x0000 4000 | 0x0000 7FFF | |
| 2 | 32k | 0x0000 8000 | 0x0000 FFFF | |
| 3 | 64k | 0x0001 0000 | 0x0001 FFFF | |
| 4 | 64k | 0x0002 0000 | 0x0002 FFFF | |
| 5 | 64k | 0x0003 0000 | 0x0003 FFFF | |
| 0 | 16k | 0x0008 0000 | 0x0008 3FFF | BANK 1 ⁽¹⁾ (64K Bytes) |
| 1 | 16k | 0x0008 4000 | 0x0008 7FFF | |
| 2 | 16k | 0x0008 8000 | 0x0008 BFFF | |
| 3 | 16k | 0x0008 C000 | 0x0008 FFFF | |

(1) Bank 1 can be used as either EEPROM emulation space or as program space.

2.2 Terminal Functions

The terminal functions table (Table 2-10) identifies the pin names, the associated pin numbers, input voltage, output voltage, whether the pin has any internal pullup/pulldown resistors and a functional pin description. The TMS470MF04207 and TMS470MF03107 devices have the same pin out.

Table 2-10. Terminal Functions

| TERMINAL | | INPUT VOLTAGE ⁽¹⁾ (2) | OUTPUT CURRENT ⁽³⁾ | IPU/IPD ⁽⁴⁾ | DESCRIPTION |
|----------------------------------|---------|-------------------------------------|-------------------------------|---------------------------|--|
| NAME | 100 PIN | | | | |
| HIGH-END TIMER (HET) | | | | | |
| HET[0] | 39 | 3.3-V I/O | Adaptive impedance 4 mA | Programmable IPD (100 µA) | <p>Timer input capture or output compare. The HET[15:0] applicable pins can be programmed as general-purpose input/output (GIO) pins.</p> <p>The high-resolution (HR) SHARE feature allows even HR pins to share the next higher odd HR pin structure. The next higher odd HR pin structure is always implemented, even if the next higher odd HR pad and/or pin itself is not.</p> <p>Note: HET[15] is muxed with ECLK2 output. If ECLK2 output is enabled (through SYSPC1 register at 0xFFFFF00), ECLK2 is output on this pin and HET[15] becomes an internal only HET channel.</p> <p>Note: ECLK2 source select must be programmed the same as ECLK1 due to device specific implementation details.</p> <p>Note: ECLK2 is enabled and ECLK2 divider is programmed through ECP control register 1 in System Frame 2 Registers (0xFFFFE128).</p> |
| HET[1] | 40 | | | | |
| HET[2] | 49 | | | | |
| HET[3] | 50 | | | | |
| HET[4] | 53 | | | | |
| HET[5] | 54 | | | | |
| HET[6] | 55 | | | | |
| HET[7] | 56 | | | | |
| HET[8] | 57 | | | | |
| HET[9] | 58 | | | | |
| HET[10] | 59 | | | | |
| HET[11] | 60 | | | | |
| HET[12] | 61 | | | | |
| HET[13] | 62 | | | | |
| HET[14] | 63 | | | | |
| HET[15]/ECLK2 | 64 | | | | |
| CAN CONTROLLER 1 (DCAN1) | | | | | |
| CAN1STX | 7 | 3.3-V I/O | Adaptive impedance 4 mA | Programmable IPU (100 µA) | DCAN1 transmit pin or GIO pin. |
| CAN1SRX | 8 | | | | DCAN1 receive pin or GIO pin. |
| CAN CONTROLLER 2 (DCAN2) | | | | | |
| CAN2STX | 37 | 3.3-V I/O | Adaptive impedance 4 mA | Programmable IPU (100 µA) | DCAN2 transmit pin or GIO pin |
| CAN2SRX | 38 | | | | DCAN2 receive pin or GIO pin |
| GENERAL-PURPOSE I/O (GIO) | | | | | |
| GIOA[4]/INT[4] | 5 | 3.3-V I/O | Adaptive impedance 4 mA | Programmable IPD (100 µA) | General-purpose input/output pins. |
| GIOA[5]/INT[5] | 6 | | | | They are interrupt-capable pins. |
| GIOA[6]/INT[6] | 15 | | | | |
| GIOA[7]/INT[7] | 16 | | | | |

(1) PWR = power, GND = ground, REF = reference voltage, NC = no connect
(2) All I/O pins, except RST, are configured as inputs while PORRST is low and immediately after PORRST goes high.
(3) The TMS470M device utilizes adaptive impedance 4 mA buffers that default to an adaptive impedance mode of operation. As a fail-safe, the adaptive impedance features of the buffer may be disabled and revert the buffer to a standard buffer mode.
(4) IPD = internal pulldown, IPU = internal pullup (all internal pullups and pulldowns are inactive on input pins when PORRST is asserted)

Table 2-10. Terminal Functions (continued)

| TERMINAL | | INPUT VOLTAGE ⁽¹⁾ (2) | OUTPUT CURRENT ⁽³⁾ | IPU/IPD ⁽⁴⁾ | DESCRIPTION |
|---|---------|---|----------------------------------|------------------------------|---|
| NAME | 100 PIN | | | | |
| MULTI-BUFFERED SERIAL PERIPHERAL INTERFACE 1 (MIBSPI1) | | | | | |
| MIBSPI1CLK | 34 | 3.3-V I/O | Adaptive impedance 4 mA | Programmable IPU (100 µA) | MIBSPI1 clock. MIBSPI1CLK can be programmed as a GIO pin. |
| MIBSPI1SCS[0] | 33 | | | | MIBSPI1 slave chip select. <u>MIBSPI1SCS[7:0]</u> can be programmed as a GIO pins. |
| MIBSPI1SCS[1] | 32 | | | | |
| MIBSPI1SCS[2] | 31 | | | | |
| MIBSPI1SCS[3] | 30 | | | | |
| MIBSPI1SCS[4] | 29 | | | | |
| MIBSPI1SCS[5] | 28 | | | | |
| MIBSPI1SCS[6] | 27 | | | | |
| MIBSPI1SCS[7] | 26 | | | | |
| MIBSPI1SIMO | 35 | | | | |
| MIBSPI1SOMI | 36 | MIBSPI1 data stream. Slave out/master in. MIBSPI1SOMI can be programmed as a GIO pin. | | | |
| MULTI-BUFFERED SERIAL PERIPHERAL INTERFACE 2 (MibSPI2) | | | | | |
| MibSPI2CLK | 17 | 3.3-V I/O | Adaptive impedance 4 mA | Programmable IPU (100 µA) | MibSPI2 clock. MibSPI2CLK can be programmed as a GIO pin. |
| MibSPI2SCS[0] | 1 | | | | MibSPI2 slave chip select <u>MibSPI2SCS[3:0]</u> can be programmed as GIO pins. |
| MibSPI2SCS[1] | 2 | | | | |
| MibSPI2SCS[2] | 3 | | | | |
| MibSPI2SCS[3] | 4 | | | | |
| MibSPI2EN \bar{A} | 90 | | | | MibSPI2 enable pin. MibSPI2EN \bar{A} can be programmed as a GIO pin. |
| MibSPI2SIMO[0] | 18 | | | | MibSPI2 data stream. Slave in/master out. MibSPI2SIMO pins can be programmed as a GIO pins. |
| MibSPI2SOMI[0] | 19 | MibSPI2 data stream. Slave out/master in. MibSPI2SOMI pins can be programmed as GIO pins. | | | |
| LOCAL INTERCONNECT NETWORK/SERIAL COMMUNICATIONS INTERFACE (LIN/SCI) | | | | | |
| LIN/SCI1RX | 23 | 3.3-V I/O | Adaptive impedance 4 mA | Programmable IPU (100 µA) | LIN/SCI1 data receive. Can be programmed as a GIO pin. |
| LIN/SCI1TX | 22 | | | | LIN/SCI1 data transmit. Can be programmed as a GIO pin. |
| LIN/SCI2RX | 25 | 3.3-V I/O | Adaptive impedance 4 mA | Programmable IPU (100 µA) | LIN/SCI2 data receive. Can be programmed as a GIO pin. |
| LIN/SCI2TX | 24 | | | | LIN/SCI2 data transmit. Can be programmed as a GIO pin. |
| MULTI-BUFFERED ANALOG-TO-DIGITAL CONVERTER (MIBADC) | | | | | |
| ADEVT | 68 | 3.3-V I/O | Adaptive impedance 4 mA | Programmable IPD (100 µA) | MibADC event input. Can be programmed as a GIO pin. |

Table 2-10. Terminal Functions (continued)

| TERMINAL | | INPUT VOLTAGE ⁽¹⁾ (2) | OUTPUT CURRENT ⁽³⁾ | IPU/IPD ⁽⁴⁾ | DESCRIPTION |
|----------------------------|---------|-------------------------------------|-------------------------------|--------------------------------|--|
| NAME | 100 PIN | | | | |
| ADIN[0] | 69 | 3.3 V | | | MibADC analog input pins. |
| ADIN[1] | 70 | | | | |
| ADIN[2] | 71 | | | | |
| ADIN[3] | 72 | | | | |
| ADIN[4] | 73 | | | | |
| ADIN[5] | 74 | | | | |
| ADIN[6] | 75 | | | | |
| ADIN[7] | 76 | | | | |
| ADIN[8] | 77 | | | | |
| ADIN[9] | 78 | | | | |
| ADIN[10] | 79 | | | | |
| ADIN[11] | 80 | | | | |
| ADIN[12] | 81 | | | | |
| ADIN[13] | 86 | | | | |
| ADIN[14] | 87 | | | | |
| ADIN[15] | 88 | | | | |
| AD _{REFHI} | 82 | 3.3-V REF | | | MibADC module high-voltage reference input. |
| AD _{REFLO} | 83 | GND REF | | | MibADC module low-voltage reference input. |
| V _{CCAD} | 85 | 3.3-V PWR | | | MibADC analog supply voltage. |
| V _{SSAD} | 84 | GND | | | MibADC analog ground reference. |
| OSCILLATOR (OSC) | | | | | |
| OSCIN | 10 | 1.55-V I | | | Crystal connection pin or external clock input. |
| OSCOUT | 11 | 1.55-V O | | | External crystal connection pin. |
| SYSTEM MODULE (SYS) | | | | | |
| $\overline{\text{PORRST}}$ | 89 | 3.3-V I | | IPD (100 μ A) | Input master chip power-up reset. External V _{CC} monitor circuitry must assert a power-on reset. |
| $\overline{\text{RST}}$ | 98 | 3.3-V I/O | Adaptive impedance 4 mA | IPU (100 μ A) | Bidirectional reset. The internal circuitry can assert a reset, and an external system reset can assert a device reset. On this pin, the output buffer is implemented as an open drain (drives low only). To ensure an external reset is not arbitrarily generated, TI recommends that an external pullup resistor be connected to this pin. |
| ECLK | 96 | 3.3-V I/O | Adaptive impedance 4 mA | Programmable IPD (100 μ A) | Bidirectional pin. ECLK can be programmed as a GIO pin. |
| TEST/DEBUG (T/D) | | | | | |
| TCK | 44 | 3.3-V I | | IPD (100 μ A) | Test clock. TCK controls the test hardware (JTAG). |
| TDI | 46 | 3.3-V I/O | Adaptive impedance 4 mA | IPU (100 μ A) | Test data in pin. TDI inputs serial data to the test instruction register, test data register, and programmable test address (JTAG). |
| TDO | 45 | | | IPD (100 μ A) | Test data out pin. TDO outputs serial data from the test instruction register, test data register, identification register, and programmable test address (JTAG). |
| TMS | 47 | | | IPU (100 μ A) | Serial input pin for controlling the state of the CPU test access port (TAP) controller (JTAG). |
| $\overline{\text{TRST}}$ | 48 | | | 3.3-V I | IPD (100 μ A) |

Table 2-10. Terminal Functions (continued)

| TERMINAL | | INPUT VOLTAGE ⁽¹⁾ (2) | OUTPUT CURRENT ⁽³⁾ | IPU/IPD ⁽⁴⁾ | DESCRIPTION |
|---|---------|--|----------------------------------|------------------------|---|
| NAME | 100 PIN | | | | |
| TEST | 97 | 3.3-V I | | IPD (100 μ A) | Test enable. Reserved for internal use only. TI recommends that this pin be connected to ground or pulled down to ground by an external resistor. |
| $\overline{\text{ENZ}}$ | 91 | 3.3-V I | | IPD (100 μ A) | Enables/disables the internal voltage regulator. 0V - Enables internal voltage regulator. 3.3V-Disables internal voltage regulator. Note: The ENZ pin is provided to facilitate testing across the core voltage range and is not intended for disabling the on chip voltage regulator during application use. |
| FLASH | | | | | |
| FLTP1 | 99 | | | | Flash Test Pad 1 pin. For proper operation, this pin must connect only to a test pad or not be connected at all [no connect (NC)]. The test pad must not be exposed in the final product where it might be subjected to an ESD event. |
| V_{CCP1} | 95 | 3.3-V PWR | | | Flash external pump voltage (3.3 V). This pin is required for both Flash read and Flash program and erase operations. V_{CCP1} and V_{CCP2} are double bonded to the same pin. |
| V_{CCP2} | 95 | | | | |
| SUPPLY VOLTAGE CORE (1.55 V) | | | | | |
| V_{CC} | 12 | 1.55-V PWR | | | Vreg output voltage when Vreg is enabled. V_{CC} input when Vreg is disabled. |
| | 41 | | | | |
| | 67 | | | | |
| | 92 | | | | |
| SUPPLY VOLTAGE DIGITAL I/O AND REGULATOR (3.3 V) | | | | | |
| V_{CCIOR} | 14 | 3.3-V PWR | | | Digital I/O and internal regulator supply voltage. |
| | 20 | | | | |
| | 43 | | | | |
| | 52 | | | | |
| | 65 | | | | |
| | 94 | | | | |
| SUPPLY GROUND | | | | | |
| V_{SS} | 9 | GND | | | Digital I/O and core supply ground reference. |
| | 13 | | | | |
| | 21 | | | | |
| | 42 | | | | |
| | 51 | | | | |
| | 66 | | | | |
| | 93 | | | | |
| | 100 | | | | |

2.3 Device Support

2.3.1 Device and Development-Support Tool Nomenclature

To designate the stages in the product development cycle, TI assigns prefixes to the part numbers of all devices and support tools. Each commercial family member has one of three prefixes: TMX, TMP, or TMS (e.g., TMS470MF04207). Texas Instruments recommends two of three possible prefix designators for its support tools: TMDX and TMDS. These prefixes represent evolutionary stages of product development from engineering prototypes (TMX/TMDX) through fully qualified production devices/tools (TMS/TMDS).

Device development evolutionary flow:

| | |
|------------|---|
| TMX | Experimental device that is not necessarily representative of the final device's electrical specifications. |
| TMP | Final silicon die that conforms to the device's electrical specifications but has not completed quality and reliability verification. |
| TMS | Fully-qualified production device. |

Support tool development evolutionary flow:

| | |
|-------------|--|
| TMDX | Development-support product that has not yet completed Texas Instruments internal qualification testing. |
| TMDS | Fully qualified development-support product. |

TMX and TMP devices and TMDX development-support tools are shipped against the following disclaimer:

"Developmental product is intended for internal evaluation purposes."

TMS devices and TMDS development-support tools have been characterized fully, and the quality and reliability of the device have been demonstrated fully. TI's standard warranty applies.

Predictions show that prototype devices (TMX or TMP) have a greater failure rate than the standard production devices. Texas Instruments recommends that these devices not be used in any production system because their expected end-use failure rate still is undefined. Only qualified production devices are to be used.

TI device nomenclature also includes a suffix with the device family name. This suffix indicates the package type (for example, PZ), the temperature range (for example, "Blank" is the commercial temperature range), and the device speed range in megahertz.

[Figure 2-3](#) illustrates the numbering and symbol nomenclature for the TMS470M family.

| | | | | | | | | | | | | |
|------------------------------|-----|-----|----|----|---|----|---|---|----|---|----|---|
| Full Part Number | TMS | 470 | MF | 04 | 2 | 07 | B | S | PZ | Q | Q1 | R |
| Orderable Part Number | S | 4 | MF | 04 | 2 | 07 | B | S | PZ | Q | Q1 | R |

Prefix: TM

- S = TMS Qualified
- P = TMP Prototype
- X = TMX Samples

Core Technology:

- 4 = 470 Cortex M3

Architecture:

- MF = M3 Flash

Flash Memory Size:

- 04 = 448K Bytes
- 03 = 320K Bytes

RAM Memory Size:

- 2 = 24K Bytes
- 1 = 16K Bytes

Peripheral Configuration:

Die Revision:

- Blank = Initial Die
- A = First Die Revision
- B = Second Die Revision

Technology/Core Voltage:

- S = F035 (130 nm), 1.5-V Nominal Core Voltage

Package Type:

- PZ = 100-Pin QFP Package (Green)

Temperature Range:

- Q = -40°C to +125°C

Quality Designator:

- Q1 = Automotive

Shipping Options:

- R = Tape and Reel

NOTE: The part number given above is for illustrative purposes only and does not necessarily represent the specific part number or silicon revision to which this document applies.

Figure 2-3. TMS470M Device Numbering Conventions

3 Device Configurations

3.1 Reset/Abort Sources

Resets/aborts are handled as shown in [Table 3-1](#).

Table 3-1. Reset/Abort Sources

| ERROR SOURCE | SYSTEM MODE | ERROR RESPONSE | ESM HOOKUP, GROUP.CHANNEL |
|---|----------------|---|------------------------------|
| 1) CPU TRANSACTIONS | | | |
| Precise write error (NCNB/Strongly Ordered) | User/Privilege | Precise Abort (CPU) | n/a |
| Precise read error (NCB/Device or Normal) | User/Privilege | Precise Abort (CPU) | n/a |
| Imprecise write error (NCB/Device or Normal) | User/Privilege | Imprecise Abort (CPU) | n/a |
| External imprecise error (Illegal transaction with ok response) | User/Privilege | ESM | 2.17 |
| Illegal instruction | User/Privilege | Undefined Instruction Trap (CPU) ⁽¹⁾ | n/a |
| M3 Lockup | User/Privilege | ESM => NMI | 2.16 |
| MPU access violation | User/Privilege | Abort (CPU) | n/a |
| 2) SRAM | | | |
| ECC single error (correctable) | User/Privilege | ESM | 1.26 |
| ECC double error (uncorrectable) | User/Privilege | ESM => NMI | 2.6 |
| 3) FLASH WITH ECC | | | |
| ECC single error (correctable) | User/Privilege | ESM | 1.6 |
| ECC double error (uncorrectable) | User/Privilege | ESM => NMI | 2.4 |
| 8) HET | | | |
| HET Memory parity error | User/Privilege | ESM | 1.7 |
| 9) MIBSPI | | | |
| MibSPI1 memory parity error | User/Privilege | ESM | 1.17 |
| MibSPI2 memory parity error | User/Privilege | ESM | 1.18 |
| 10) MIBADC | | | |
| Memory parity error | User/Privilege | ESM | 1.19 |
| 11) DCAN/CAN | | | |
| DCAN1 memory parity error | User/Privilege | ESM | 1.21 |
| DCAN2 memory parity error | User/Privilege | ESM | 1.23 |
| 13) PLL | | | |
| PLL slip error | User/Privilege | ESM | 1.10 |
| 14) CLOCK MONITOR | | | |
| Clock monitor interrupt | User/Privilege | ESM | 1.11 |
| 19) VOLTAGE REGULATOR | | | |
| Vcc out of range | n/a | Reset | n/a |
| 20) CPU SELFTEST (LBIST) | | | |
| CPU Selftest (LogicBIST) error | User/Privilege | ESM | 1.27 |
| 21) ERRORS REFLECTED IN THE SYSESR REGISTER | | | |
| Power-Up Reset/Vreg out of voltage ⁽²⁾ | n/a | Reset | n/a |

(1) The undefined instruction trap is NOT detected outside of the CPU. The trap is taken only if the code reaches the execute stage of the CPU.

(2) Both a power-on reset and Vreg out-of-range reset are indicated by the PORST bit in the SYSESR register.

Table 3-1. Reset/Abort Sources (continued)

| ERROR SOURCE | SYSTEM MODE | ERROR RESPONSE | ESM HOOKUP, GROUP.CHANNEL |
|---|-------------|----------------|------------------------------|
| Oscillator fail / PLL slip ⁽³⁾ | n/a | Reset | n/a |
| M3 Lockup/LRM | n/a | Reset | n/a |
| Watchdog time limit exceeded | n/a | Reset | n/a |
| CPU Reset | n/a | Reset | n/a |
| Software Reset | n/a | Reset | n/a |
| External Reset | n/a | Reset | n/a |

(3) Oscillator fail/PLL slip can be configured in the system register (SYS.PLLCTL1) to generate a reset.

3.2 Lockup Reset Module

The lockup reset module (LRM) is implemented to communicate a lockup condition by the core. The LRM provides a small watchdog timer which can generate a system reset in case a lockup condition that is identified by the core cannot be cleared by software.

3.3 ESM Assignments

The ESM module is intended for the communication critical system failures in a central location. The error indication is by an error interrupt when the failure is recognized from any detection unit. The ESM module consist of three error groups with 32 inputs each. The generation of the interrupts is shown in [Table 3-2](#). ESM assignments are listed in [Table 3-3](#).

Table 3-2. ESM Groups

| ERROR GROUP | INTERRUPT, LEVEL |
|-------------|--------------------|
| Group1 | maskable, low/high |
| Group2 | non-maskable, high |
| Group3 | Not Used |

Table 3-3. ESM Assignments

| ERROR SOURCES | CHANNEL |
|-----------------------------|---------|
| GROUP 1 | |
| Reserved | 0 - 5 |
| Flash - ECC Single Bit | 6 |
| HET memory parity error | 7 |
| Reserved | 8-9 |
| PLL Slip Error | 10 |
| Clock Monitor interrupt | 11 |
| Reserved | 12-16 |
| MibSPI1 memory parity error | 17 |
| MibSPI2 memory parity error | 18 |
| MibADC memory parity error | 19 |
| Reserved | 20 |
| DCAN1 memory parity error | 21 |
| Reserved | 22 |
| DCAN2 memory parity error | 23 |
| Reserved | 24-25 |
| SRAM - single bit | 26 |
| CPU LBIST - selftest error | 27 |

Table 3-3. ESM Assignments (continued)

| ERROR SOURCES | CHANNEL |
|--|---------|
| Reserved | 28-31 |
| GROUP 2 | |
| Reserved | 0-3 |
| Flash - Double-Bit Error (uncorrectable) | 4 |
| Reserved | 5 |
| SRAM - Double-Bit Error (uncorrectable) | 6 |
| Reserved | 7-15 |
| M3 Lockup | 16 |
| M3 External Imprecise Abort | 17 |
| Reserved | 18-31 |

3.4 Interrupt Priority (M3VIM)

The TMS470M platform interrupt architecture includes a vectored interrupt manager (M3VIM) that provides hardware assistance for prioritizing and controlling the many interrupt sources present on a device. [Table 3-4](#) communicates the default interrupt request assignments.

Table 3-4. Interrupt Request Assignments

| MODULES | INTERRUPT SOURCES | DEFAULT VIM INTERRUPT REQUEST |
|----------|--------------------------------|-------------------------------|
| ESM | ESM High level interrupt (NMI) | 0 |
| Reserved | (NMI) | 1 |
| ESM | ESM Low level interrupt | 2 |
| SYSTEM | Software interrupt (SSI) | 3 |
| RTI | RTI compare interrupt 0 | 4 |
| RTI | RTI compare interrupt 1 | 5 |
| RTI | RTI compare interrupt 2 | 6 |
| RTI | RTI compare interrupt 3 | 7 |
| RTI | RTI overflow interrupt 0 | 8 |
| RTI | RTI overflow interrupt 1 | 9 |
| Reserved | Reserved | 10 |
| GIO | GIO Interrupt A | 11 |
| GIO | GIO Interrupt B | 12 |
| HET | HET level 0 interrupt | 13 |
| HET | HET level 1 interrupt | 14 |
| MibSPI1 | MibSPI1 level 0 interrupt | 15 |
| MibSPI1 | MibSPI1 level 1 interrupt | 16 |
| Reserved | Reserved | 17 |
| LIN/SCI2 | LIN/SCI2 level 0 interrupt | 18 |
| LIN/SCI2 | LIN/SCI2 level 1 Interrupt | 19 |
| LIN/SCI1 | LIN/SCI1 level 0 interrupt | 20 |
| LIN/SCI1 | LIN/SCI1 level 1 Interrupt | 21 |
| DCAN1 | DCAN1 level 0 Interrupt | 22 |
| DCAN1 | DCAN1 level 1 Interrupt | 23 |
| ADC | ADC event group interrupt | 24 |
| ADC | ADC sw group 1 interrupt | 25 |
| ADC | ADC sw group 2 interrupt | 26 |

Table 3-4. Interrupt Request Assignments (continued)

| MODULES | INTERRUPT SOURCES | DEFAULT VIM INTERRUPT REQUEST |
|----------------|-----------------------------------|--------------------------------------|
| MibSPI2 | MibSPI2 level 0 interrupt | 27 |
| MibSPI2 | MibSPI2 level 1 interrupt | 28 |
| DCAN2 | DCAN2 level 0 interrupt | 29 |
| DCAN2 | DCAN2 level 1 interrupt | 30 |
| ADC | ADC magnitude threshold interrupt | 31 |
| Reserved | Reserved | 32 |
| Reserved | Reserved | 33 |
| DCAN1 | DCAN1 IF3 interrupt | 34 |
| DCAN2 | DCAN2 IF3 interrupt | 35 |
| Reserved | Reserved | 36-47 |

3.5 MibADC

The multi-buffered analog-to-digital converter (MibADC) accepts an analog signal and converts the signal to a 10-bit digital value.

The TMS470M MibADC module stores its digital results in one of three FIFO buffers. There is one FIFO buffer for each conversion group [event, group1 (G1), and group2 (G2)], and the total MibADC FIFO on the device is divided amongst these three regions. The size of the individual group buffers are software programmable. MibADC buffers can be serviced by interrupts.

3.5.1 MibADC Event Triggers

All three conversion groups can be configured for event-triggered operation, providing up to three event-triggered groups.

The trigger source and polarity can be selected individually for group 1, group 2 and the event group from the options identified in [Table 3-5](#).

Table 3-5. MibADC Event Hookup Configuration

| EVENT NO. | SOURCE SELECT BITS for G1 or EVENT (G1SRC[2:0] or EVSRC[2:0]) | SIGNAL PIN NAME |
|-----------|---|------------------------|
| 1 | 000 | ADEVT |
| 2 | 001 | HET[1] |
| 3 | 010 | HET[3] |
| 4 | 011 | HET[16] ⁽¹⁾ |
| 5 | 100 | HET[18] ⁽¹⁾ |
| 6 | 101 | HET[24] ⁽¹⁾ |
| 7 | 110 | HET[26] ⁽¹⁾ |
| 8 | 111 | HET[28] ⁽¹⁾ |

(1) These channels are available as internal signals even if they are not included as pins ([Section 1.1](#)).

3.6 MibSPI

The multi-buffered serial peripheral interface module allows CPU independent SPI communications with system peripherals.

The MibSPI1 module can support up to 16 transfer groups and 8 chip selects. In addition, up to 4 data formats can be supported allowing assignment of various formats to each transfer group.

The MibSPI2 module can support up to 8 transfer groups, 4 chip selects, and up to 4 data formats.

3.6.1 MibSPI Event Trigger

The MibSPI module has the ability to automatically trigger SPI events based on internal and external event triggers.

The trigger sources can be selected individually for each transfer group from the options identified in [Table 3-6](#).

Table 3-6. MibSPI1 and MibSPI2 Event Hookup Configuration

| EVENT NO. | SOURCE SELECT BITS FOR MIBSPI EVENTS TGXCTRL TRIGSRC[3:0] | SIGNAL PIN NAME |
|-----------|---|------------------------|
| Disabled | 0000 | No trigger source |
| EVENT0 | 0001 | GIOA[0] ⁽¹⁾ |
| EVENT1 | 0010 | GIOA[1] ⁽¹⁾ |
| EVENT2 | 0011 | GIOA[2] ⁽¹⁾ |
| EVENT3 | 0100 | GIOA[3] ⁽¹⁾ |
| EVENT4 | 0101 | GIOA[4] |
| EVENT5 | 0110 | GIOA[5] |
| EVENT6 | 0111 | HET[20] ⁽¹⁾ |
| EVENT7 | 1000 | HET[21] ⁽¹⁾ |
| EVENT8 | 1001 | HET[22] ⁽¹⁾ |

(1) These channels are available as internal signals even if they are not included as pins ([Section 1.1](#)).

Table 3-6. MibSPI1 and MibSPI2 Event Hookup Configuration (continued)

| EVENT NO. | SOURCE SELECT BITS FOR MIBSPI EVENTS TGXCTRL TRIGSRC[3:0] | SIGNAL PIN NAME |
|-----------|--|------------------------|
| EVENT9 | 1010 | HET[23] ⁽¹⁾ |
| EVENT10 | 1011 | HET[28] ⁽¹⁾ |
| EVENT11 | 1100 | HET[29] ⁽¹⁾ |
| EVENT12 | 1101 | HET[30] ⁽¹⁾ |
| EVENT13 | 1110 | HET[31] ⁽¹⁾ |
| EVENT14 | 1111 | Internal Tick Counter |

3.7 JTAG ID

The 32-bit JTAG ID code for this device is 0x0B8D802F.

3.8 Scan Chains

The device contains an ICEPICK module to access the debug scan chains; see [Figure 3-1](#). Debug scan chain #0 handles the access to the CPU. The ICEPICK scan ID is 0x00366D05, which is the same as the device ID.

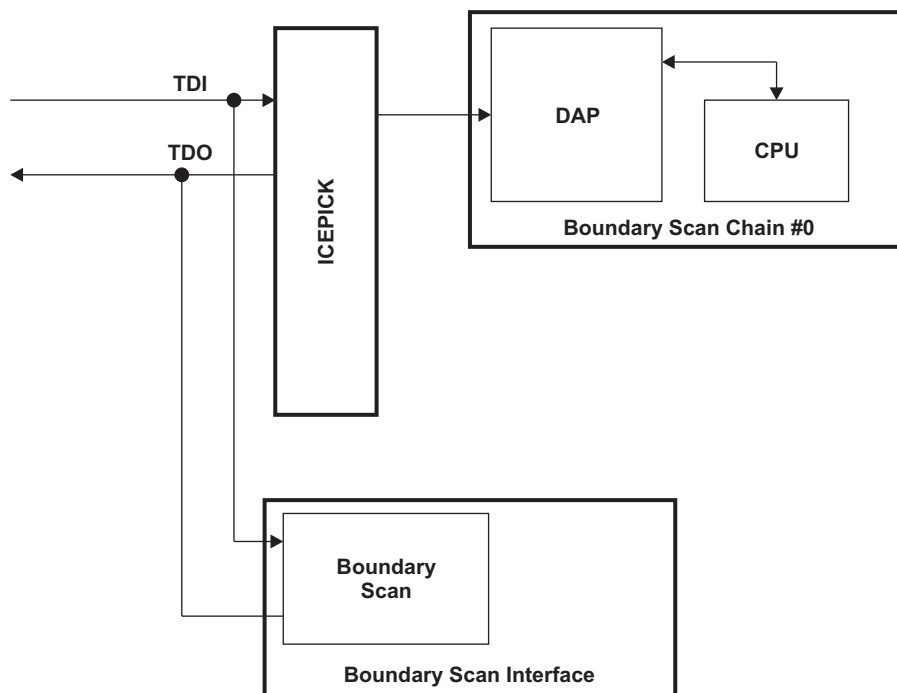


Figure 3-1. Debug Scan Chains

3.9 Adaptive Impedance 4 mA IO Buffer

The adaptive impedance 4 mA buffer is a buffer that has been explicitly designed to address the issue of decoupling EMI sources from the pins which they drive. This is accomplished by adaptively controlling the impedance of the output buffer and should be particularly effective with capacitive loads.

The adaptive impedance 4 mA buffer features two modes of operation: Impedance Control Mode, and Low-Power Mode/Standard Buffer Mode as defined below:

- **Impedance Control Mode** is enabled in the design by default. This mode adaptively controls the impedance of the output buffer.

- **Standard Buffer Mode** is used to configure the buffer back into a generic configuration. This buffer mode is used when it is necessary to drive the output at very high speeds, or when EMI reduction is not a concern.

Table 3-7. Adaptive Impedance 4 mA Buffer Mode Availability

| MODULE OR PIN NAME | STANDARD BUFFER ENABLE (SBEN) ⁽¹⁾ |
|--------------------|--|
| SYS.ECLK | GPREG1.0 |
| SYS.nRST | GPREG1.1 |
| SYS.TDI/TDO | Standard Buffer Enabled |
| SYS.TMSC | Standard Buffer Enabled |
| HET | GPREG1.2 |
| SCI1 | GPREG1.3 |
| LIN/SCI2 | GPREG1.4 |
| MIBSPI1 | GPREG1.5 |
| MibSPI2 | GPREG1.6 |
| Reserved | GPREG1.7 |
| MIBADC.ADEV | GPREG1.8 |
| DCAN1 | GPREG1.9 |
| DCAN2 | GPREG1.10 |
| GIOA | GPREG1.11 |

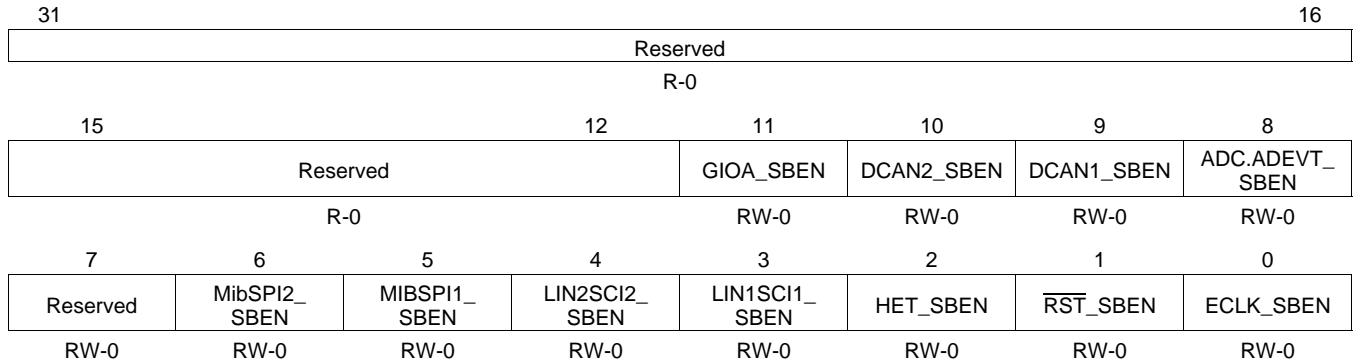
(1) SBEN configuration can be achieved using the GPREG register within the system frame(0xFFFFFA0).

3.9.1 Standard Buffer Enable Register (GPREG1)

A general purpose register with the system frame has been utilized to control the enabling of standard buffer mode. This register is shown in Figure 3-2 and described in Table 3-8

NOTE

In general, all device registers are defined within the TRM (SPNU450); however, in cases where the register definition is device specific, the register is defined within the device specific datasheet.



LEGEND: R/W = Read/Write; R = Read only; -n = value after reset

Figure 3-2. General-Purpose Register 1 (GPREG1)

Table 3-8. General-Purpose Register 1 (GPREG1) Field Descriptions

| Bit | Field | Value | Description |
|-------|----------------|--------|--|
| 31-12 | Reserved | | These bits are reserved. Reads return 0 and writes have no effect. |
| 11 | GIOA_SBEN | 0 1 | GIOA port standard buffer enable bit. This bit enables/disables standard buffer mode for all GIOA pins Standard buffer mode is not enabled. Standard buffer mode is enabled for all associated module pins. |
| 10 | DCAN2_SBEN | 0 1 | DCAN2 standard buffer enable bit. This bit enables/disables standard buffer mode for all DCAN2 pins. Standard buffer mode is not enabled. Standard buffer mode is enabled for all associated module pins. |
| 9 | DCAN1_SBEN | 0 1 | DCAN1 standard buffer enable bit. This bit enables/disables standard buffer mode for all DCAN1 pins. Standard buffer mode is not enabled. Standard buffer mode is enabled for all associated module pins. |
| 8 | ADC.ADEVT_SBEN | 0 1 | ADC.ADEVT standard buffer enable bit. This bit enables/disables standard buffer mode for the ADC.ADEVT pin. Standard buffer mode is not enabled. Standard buffer mode is enabled for the ADEVT pin. |
| 7 | Reserved | | These bits are reserved. Reads return 0 and writes have no effect. |
| 6 | MibSPI2_SBEN | 0 1 | MibSPI2 standard buffer enable bit. This bit enables/disables standard buffer mode for all MibSPI2 pins. Standard buffer mode is not enabled. Standard buffer mode is enabled for all associated module pins. |
| 5 | MIBSPI1 | 0 1 | MIBSPI1 standard buffer enable bit. This bit enables/disables standard buffer mode for all MIBSPI1 pins. Standard buffer mode is not enabled. Standard buffer mode is enabled for all associated module pins. |

Table 3-8. General-Purpose Register 1 (GPREG1) Field Descriptions (continued)

| Bit | Field | Value | Description |
|-----|---------------------------------------|--------|--|
| 4 | LIN2SCI2_SBEN | 0 1 | LIN/SCI2 standard buffer enable bit. This bit enables/disables standard buffer mode for all LIN/SCI2 pins. Standard buffer mode is not enabled. Standard buffer mode is enabled for all associated module pins. |
| 3 | LIN1SCI1_SBEN | 0 1 | LIN/SCI1 standard buffer enable bit. This bit enables/disables standard buffer mode for all LIN/SCI1 pins. Standard buffer mode is not enabled. Standard buffer mode is enabled for all associated module pins. |
| 2 | HET_SBEN | 0 1 | HET standard buffer enable bit. This bit enables/disables standard buffer mode for all HET pins. Standard buffer mode is not enabled. Standard buffer mode is enabled for all associated module pins. |
| 1 | $\overline{\text{RST}}_{\text{SBEN}}$ | 0 1 | $\overline{\text{RST}}$ standard buffer enable bit. This bit enables/disables standard buffer mode for the $\overline{\text{RST}}$ pin. Standard buffer mode is not enabled. Standard buffer mode is enabled for the $\overline{\text{RST}}$ pin. |
| 0 | ECLK_SBEN | 0 1 | ECLK standard buffer enable bit. This bit enables/disables standard buffer mode for the ECLK pin. Standard buffer mode is not enabled. Standard buffer mode is enabled for the ECLK pin. |

3.9.2 Coresight Components/Debug ROM

Coresight registers are memory-mapped and accessible via the CPU and JTAG.

Table 3-9. Debug Component Memory Map

| COMPONENT | FRAME START ADDRESS | FRAME END ADDRESS | FRAME SIZE | MEMORY TYPE |
|-----------------------------|---------------------|-------------------|------------|---|
| M3 INTEGRATION FRAME | | | | |
| DWT | 0xE000_1000 | 0xE000_1FFF | 4K | Control Registers for debug and trace modules |
| FPB | 0xE000_2000 | 0xE000_2FFF | 4K | |
| NVIC | 0xE000_E000 | 0xE000_EFFF | 4K | |
| Debug ROM 1 | 0xE00F_F000 | 0xE00F_FFFF | 4K | |

Table 3-10. Debug ROM contents for Debug ROM 1 (M3 ROM)

| ADDRESS OFFSET see Table 3-9 | DESCRIPTION | VALUE |
|---------------------------------|---------------------|--------------|
| 0x000 | NVIC | 0xFFFF0_F003 |
| 0x004 | DWT | 0xFFFF0_2003 |
| 0x008 | FPB | 0xFFFF0_3003 |
| 0x00C | ITM | 0xFFFF0_1003 |
| 0x010 | TPIU ⁽¹⁾ | 0xFFFF4_1002 |
| 0x014 | ETM ⁽¹⁾ | 0xFFFF4_2002 |
| 0x018 | End of Table | 0x0000_0000 |

(1) Cortex™-M3 debug ROM always will have entries for optional components TPIU and ETM. Whether or not these components are present is determined by bit number 0 of the entry value.

3.10 Built-In Self Test (BIST) Features

3.10.1 STC/LBIST

The TMS470M family supports a logic built-in self test (LBIST or CPUBIST) of the M3 CPU.

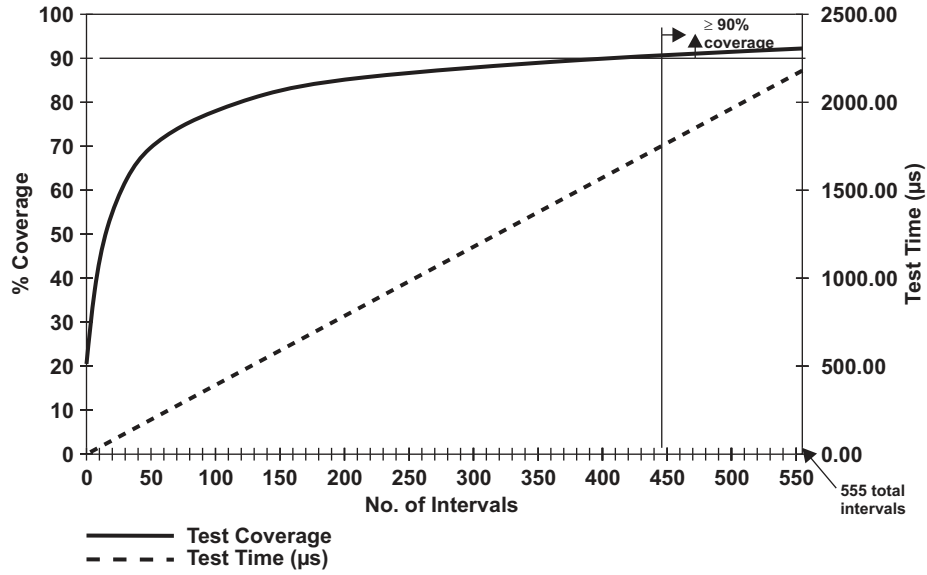
LBIST testing can be performed in two modes of operation:

- **Full Execution.** In this mode, the full suite of test patterns is run without interruption. This test is started via CPU control and is well suited for use at device start up.
- **Cyclic Execution.** During cyclic execution, a small percentage of time will be dedicated to running a subset of the self-test (STC Intervals). This mode is well suited for executing on a periodic basis to minimize the bandwidth use. After all STC intervals are executed, all test patterns will have been run.

NOTE

1. The application will need to disable peripherals and or interrupts to avoid missing interrupts.
 2. No debugger interaction is possible with the CPU during self test. This includes access to memory and registers since access is through the CPU.
-

The default value of the LBIST clock prescaler (STCDIV) is *divide-by-1* and the device will support STC frequencies up to and including HCLK frequency. In order to minimize the current consumption during LBIST execution, the LBIST clock prescaler (STCDIV) may be configured to reduce the LBIST frequency.



- A. A single LBIST interval is 158 STC CLK cycles in duration, excluding clock transition timing of 20 cycles.
- B. This device has 555 total intervals.

Figure 3-3. CPU BIST Intervals vs Coverage

3.10.2 MBIST

The TMS470M supports memory built-in self test (MBIST) of the SRAM. The MBIST is accessible via the application in order to facilitate memory self test by the application by enabling the MBIST controllers associated with the specific RAMs to be tested. (For device-specific MBIST controller assignments, see [Table 2-4](#).)

The MBIST controller:

- Supports testing of all system and peripheral RAM.
- Captures the MBIST results in the MBIST status register (MSTFAIL).
- Supports execution of each Memory BIST controller in parallel (MSIENA).
For MSIENA bit assignments, see [Table 2-4](#)
- Supports execution of each Memory BIST controller individually (MSINENA).
For MSIENA bit assignments, see [Table 2-4](#)

The MBIST controller selection is mapped to the MBIST controller/memory initialization enable register (MSIENA) within the SYS register frame. Each MBIST controller is enabled by setting the corresponding bit within this register and then enabling memory self-test via the memory self-test global enable within the global control register (MSTGCR.MSTGENA[3:0]).

The MBIST controllers support execution of the following tests:

Table 3-11. MBIST Algorithms and Cycle Counts⁽¹⁾

| Module | Algorithm (Cycle Counts) | | | | | |
|------------|--------------------------|-----------------------|-----------------------|-----------------------------|--------------------------|-------|
| | Checker Board | March13N Background 0 | March11N Background A | March13N Background 3/0F/69 | PMOS Open Address Decode | ROM2 |
| ADC RAM | 1427 | 1555 | 1089 | 4033 | 4225 | - |
| DCAN RAM | 1503 | 1503 | 1057 | 3745 | 3265 | - |
| SRAM | 26835 | 26835 | 22529 | 79873 | 147457 | - |
| HET RAM | 7539 | 8307 | 6529 | 24193 | 29185 | - |
| MibSPI RAM | 3583 | 3583 | 2817 | 9985 | 10753 | - |
| STC ROM | - | - | - | - | - | 18433 |

(1) Cycle times provided are for the execution of the specific algorithms and do not include overhead from the BIST statemachine.

NOTE

The algorithm to be applied is selectable via the memory self-test global control register algo selection field (MSTGCR.MBIST_ALGSEL[7:0]).

3.11 Device Identification Code Register

The device identification code register identifies the coprocessor status, an assigned device-specific part number, the technology family (TF), the I/O voltage, whether or not parity is supported, the levels of flash and RAM error detection, and the device version. The TMS470M device identification code base register value is 0X00366D05 and is subject to change based on the silicon version.

| | | | | | | | | | |
|---------|-------------|-----------------|-----|----------|-----|--------|----|-----|----|
| 31 | 30 | | | | | | | 17 | 16 |
| CP15 | PART NUMBER | | | | | | TF | | |
| R-0 | | R-0000000011011 | | | | | | R-0 | |
| 15 | 13 | 12 | 11 | 10 | 9 | 8 | | | |
| TF | | I/O VOLT | PP | FLASHECC | | RAMECC | | | |
| R-011 | | R-0 | R-1 | R-10 | | R-1 | | | |
| 7 | | | | 3 | 2 | 1 | 0 | | |
| VERSION | | | | 1 | 0 | 1 | | | |
| R-0000 | | | | R-1 | R-0 | R-1 | | | |

LEGEND: R = Read only; -n = value after reset

Figure 3-4. TMS470 Device ID Bit Allocation Register

Table 3-12. TMS470 Device ID Bit Allocation Register Field Descriptions

| Bit | Field | Value | Description |
|-------|-------------|----------------------|--|
| 31 | CP15 | 0 1 | This bit indicates the presence of coprocessor (CP15). No coprocessor present in the device. Coprocessor present in the device. |
| 30-17 | PART NUMBER | | These bits indicate the assigned device-specific part number. The assigned device-specific part number for the TMS470M device is 0000000011011. |
| 16-13 | TF | 0011 | Technology family bit. These bits indicate the technology family (C05, F05, F035, C035). F035 |
| 12 | I/O VOLT | 0 1 | I/O voltage bit. This bit identifies the I/O power supply. 3.3 V 5 V |
| 11 | PP | 0 1 | Peripheral parity bit. This bit indicates whether parity is supported. No parity on peripheral. Parity on peripheral. |
| 10 | FLASHECC | 00 01 10 11 | Flash ECC bits. These bits indicate the level of error detection and correction on the flash memory. No error detection/correction. Program memory with parity. Program memory with ECC. Reserved |
| 8 | RAMECC | 0 1 | RAM ECC bits. This bit indicates the presence of error detection and correction on the CPU RAM. RAM ECC not present. RAM ECC present. |
| 7-3 | VERSION | | These bits identify the silicon version of the device. |
| 2-0 | 101 | | Bits 2:0 are set to 101 by default to indicate a platform device. |

3.12 Device Part Numbers

Table 3-13 lists all the available TMS470MF04207/TMS470MF03107 device configurations.

Table 3-13. Device Part Numbers

| DEVICE PART NUMBER | SAP PART NUMBER | PROGRAM MEMORY | PACKAGE TYPE | TEMPERATURE RANGE | PbFREE/ GREEN ⁽¹⁾ |
|--------------------|-----------------|----------------|--------------|-------------------|---------------------------------|
| | | FLASH EEPROM | 100-PIN LQFP | -40°C to 125°C | |
| TMS470MF04207PZQ | S4MF04207SPZQQ1 | X | X | X | X |
| TMS470MF03107PZQ | S4MF03107SPZQQ1 | X | X | X | X |

- (1) RoHS compliant products are compatible with the current RoHS requirements for all six substances, including the requirement that lead not exceed 0.1% by weight in homogeneous materials, unless exempt. Pb-Free products are RoHS Compliant, plus suitable for use in higher temperature lead-free solder processes (typically 245 to 260°C). Green products are RoHS and Pb-Free, plus also free of Bromine (Br) and Antimony (Sb) based flame retardants (Br or Sb do not exceed 0.1% by weight in homogeneous material).

4 Device Operating Conditions

4.1 Absolute Maximum Ratings Over Operating Free-Air Temperature Range, Q Version⁽¹⁾

| | | |
|---|--|-----------------|
| Supply voltage range: | $V_{CC}^{(2)}$ | -0.5 V to 2.1 V |
| | V_{CCIOR} , V_{CCAD} , V_{CC} (Flash pump) ⁽²⁾ | -0.5 V to 4.1 V |
| Input voltage range: | All input pins | -0.5 V to 4.1 V |
| Input clamp current: | I_{IK} ($V_I < 0$ or $V_I > V_{CCIOR}$) All pins, except ADIN[0:15] | ±20 mA |
| | I_{IK} ($V_I < 0$ or $V_I > V_{CCIOR}$) ADIN[0:15] | ±10 mA |
| Operating free-air temperature range, T_A : | Q version | -40°C to 125°C |
| Operating junction temperature range, T_J : | Standard | -40°C to 150°C |
| Storage temperature range, T_{stg} | | -65°C to 150°C |

- (1) Stresses beyond those listed under "absolute maximum ratings" may cause permanent damage to the device. These are stress ratings only. Functional operation of the device at these or any other conditions beyond those indicated under "recommended operating conditions" is not implied. Exposure to absolute-maximum-rated conditions for extended periods may affect device reliability.
- (2) All voltage values are with respect to their associated grounds.

4.2 Device Recommended Operating Conditions⁽¹⁾

| | | MIN | NOM | MAX | UNIT |
|-------------|---|------|-----------|------|------|
| V_{CCIOR} | Digital I/O and internal regulator supply voltage | 3 | 3.3 | 3.6 | V |
| V_{CC} | Voltage regulator output voltage | 1.40 | 1.55 | 1.70 | V |
| V_{CCAD} | MibADC supply voltage | 3 | 3.3 | 3.6 | V |
| V_{CCP} | Flash pump supply voltage | 3 | 3.3 | 3.6 | V |
| V_{SS} | Digital logic supply ground | | 0 | | V |
| V_{SSAD} | MibADC supply ground | -0.1 | | 0.1 | V |
| T_A | Operating free-air temperature | | Q version | 125 | °C |
| T_J | Operating junction temperature | -40 | | 150 | °C |

- (1) All voltages are with respect to V_{SS} , except V_{CCAD} , which is with respect to V_{SSAD} .

4.3 Electrical Characteristics Over Recommended Operating Free-Air Temperature Range, Q Version⁽¹⁾⁽²⁾

| PARAMETER | | TEST CONDITIONS | MIN | TYP | MAX | UNIT | |
|--------------------|---|--|---------------------------------------|------|--------------------------|------|----|
| V _{hys} | Input hysteresis | | 150 | | | mV | |
| V _{IL} | Low-level input voltage | All inputs ⁽³⁾ | -0.3 | | 0.8 | V | |
| | | OSCIN | | | 0.2 V _{CC} | V | |
| V _{IH} | High-level input voltage | All inputs ⁽³⁾ | 2 | | V _{CCIOR} + 0.3 | V | |
| | | OSCIN | 0.8 V _{CC} | | | | |
| V _{OL} | Low-level output voltage | I _{OL} = I _{OL} MAX | | | 0.2 V _{CCIOR} | V | |
| | | I _{OL} = 50 μA Standard mode | | | 0.2 | | |
| | | I _{OL} = 50 μA Impedance Control mode | | | 0.2 V _{CCIOR} | | |
| V _{OH} | High-level output voltage | I _{OH} = I _{OH} MAX | 0.8 V _{CCIOR} | | | V | |
| | | I _{OH} = 50 μA Standard mode | V _{CCIOR} - 0.2 | | | | |
| | | I _{OH} = 50 μA Impedance Control mode | 0.8 V _{CCIOR} | | | | |
| I _{IC} | Input clamp current (I/O pins) ⁽⁴⁾ | V _I < V _{SSIO} - 0.3 or V _I > V _{CCIOR} + 0.3 | -2 | | 2 | mA | |
| I _I | Input current (I/O pins) | I _{IH} Pulldown | V _I = V _{CCIOR} | 40 | | 190 | μA |
| | | I _{IL} Pullup | V _I = V _{SS} | -190 | | -40 | |
| | | All other pins | No pullup or pulldown | -1 | | 1 | |
| I _{OL} | Low-level output current | Adaptive impedance 4 mA Buffer | V _{OL} = V _{OL} MAX | | | 4 | mA |
| I _{OH} | High-level output current | Adaptive impedance 4 mA Buffer | V _{OH} = V _{OH} MIN | -4 | | | mA |
| I _{CC} | V _{CC} digital supply current (operating mode, internal regulator disabled) | HCLK = 80 MHz, VCLK = 80 MHz, V _{CC} = 1.70 V ⁽⁵⁾ | | | 110 | mA | |
| I _{CCIOR} | V _{CCIOR} IO and digital supply current (operating mode, internal regulator enabled) | HCLK = 80 MHz, VCLK = 80 MHz, No DC load, V _{CCIOR} = 3.6 V ⁽⁵⁾⁽⁶⁾ | | | 115 | mA | |
| | V _{CCIOR} IO and digital supply current (LBIST execution, internal regulator enabled) ⁽⁷⁾ | HCLK = 80 MHz, VCLK = 80 MHz, STCCLK = 80 MHz, No DC load, V _{CCIOR} = 3.6 V ⁽⁶⁾ | | | 155 | | |
| | V _{CCIOR} IO and digital supply current (MBIST execution, internal regulator enabled) ⁽⁸⁾ | HCLK = 80 MHz, VCLK = 80 MHz, No DC load, V _{CCIOR} = 3.6 V ⁽⁶⁾ | | | 130 | | |

(1) Source currents (out of the device) are negative while sink currents (into the device) are positive.

(2) "All frequencies" will include all specified device configuration frequencies.

(3) The V_{IL} here does not apply to the OSCIN, OSCOUT and PORRST pins; the V_{IH} here does not apply to the OSCIN, OSCOUT and RST pins; For RST and PORRST exceptions, see Section 5.1.

(4) Parameter does not apply to input-only or output-only pins.

(5) Maximum currents are measured using a system-level test case. This test case exercises all of the device peripherals concurrently (excluding MBIST and STC LBIST).

(6) I/O pins configured as inputs or outputs with no load. All pulldown inputs ≤ 0.2 V. All pullup inputs ≥ V_{CCIO} - 0.2 V. ECLK output ≤ 2 MHz.

(7) LBIST current specified is peak current for the maximum supported operating clock (HCLK = 80 MHz) and STC CLK = HCLK. Lower current consumption can be achieved by configuring a slower STC Clock frequency. The current peak duration can last for the duration of 1 LBIST test interval.

(8) MBIST currents specified are for execution of MBIST on all RAMs in parallel. Lower current consumption can be achieved by sequenced execution of MBIST on each of the RAM spaces available.

Electrical Characteristics Over Recommended Operating Free-Air Temperature Range, Q Version⁽¹⁾⁽²⁾ (continued)

| PARAMETER | | TEST CONDITIONS | MIN | TYP | MAX | UNIT |
|--------------------------------------|---|---|-----|-----|-----|------|
| I _{CCAD} | V _{CCAD} supply current (operating mode) | All frequencies, V _{CCAD} = 3.6 V | | | 8 | mA |
| I _{CCP} | V _{CCP} pump supply current | V _{CCP} = 3.6 V read operation ⁽⁵⁾ | | | 10 | mA |
| | | V _{CCP} = 3.6 V program ⁽⁹⁾ | | | 75 | |
| | | V _{CCP} = 3.6 V erase | | | 75 | |
| I _{CCTOTAL} ⁽¹⁰⁾ | V _{CCIOR} + V _{CCAD} + V _{CCP} total digital supply current (operating mode, internal regulator enabled) | HCLK = 80 MHz, VCLK = 80 MHz, No DC load, V _{CCIOR} = 3.6 V ⁽⁵⁾⁽⁶⁾ | | | 125 | mA |
| C _I | Input capacitance | | 6 | | | pF |
| C _O | Output capacitance | | 7 | | | pF |

(9) Assumes reading from one bank while programming a different bank.

(10) Total device operating current is derived from the total I_{CCIOR}, I_{CCAD}, and I_{CCP} in normal operating mode excluding MBIST and LBIST execution. It is expected that the total will be less than the sums of the values of the individual components due to statistical calculations involved in producing the specification values.

5 Peripheral Information and Electrical Specifications

5.1 RST and PORRST Timings

Table 5-1. Timing Requirements for PORRST⁽¹⁾

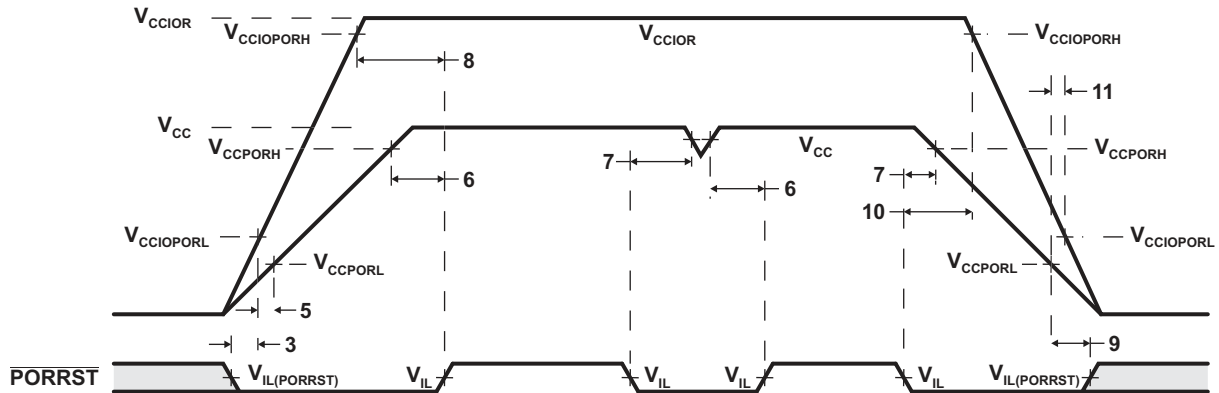
(see Figure 5-1)

| NO. | | MIN | MAX | UNIT |
|-----|--------------------------------|--|------------------------|-----------------------------|
| | V _{CCPORL} | V _{CC} low supply level when RST becomes active | 1.30 | V |
| | V _{CCPORH} | V _{CC} high supply level when RST becomes active | | 1.80 V |
| | V _{CCIORPRL} | V _{CCIO} low supply level when PORRST must be active during power up | | 1.1 V |
| | V _{CCIORPORH} | V _{CCIO} high supply level when PORRST must remain active during power up and become active during power down | 3.0 | V |
| | V _{IL} ⁽²⁾ | Low-level input voltage after V _{CCIOR} > V _{CCIORPORH} | | 0.2 V _{CCIOR} V |
| | V _{OH} ⁽³⁾ | High-level output voltage after V _{CCIOR} > V _{CCIORPORH} | 0.8 V _{CCIOR} | V |
| | V _{IL(PORRST)} | Low-level input voltage of PORRST before V _{CCIOR} > V _{CCIORPRL} | | 0.5 V |
| 3 | t _{su(PORRST)r} | Setup time, PORRST active before V _{CCIOR} > V _{CCIORPRL} during power up | 0 | ms |
| 5 | t _{su(VCCIOR)r} | Setup time, V _{CCIOR} > V _{CCIORPRL} before V _{CC} > V _{CCPORL} | 0 | ms |
| 6 | t _{h(PORRST)r} | Hold time, PORRST active after V _{CC} > V _{CCPORH} | 1 | ms |
| 7 | t _{su(PORRST)f} | Setup time, PORRST active before V _{CC} ≤ V _{CCPORH} during power down | 8 | µs |
| 8 | t _{h(PORRST)rio} | Hold time, PORRST active after V _{CCIOR} > V _{CCIORPORH} | 1 | ms |
| 9 | t _{h(PORRST)d} | Hold time, PORRST active after V _{CCIOR} < V _{CCIORPRL} | 0 | ms |
| 10 | t _{su(PORRST)fio} | Setup time, PORRST active before V _{CC} ≤ V _{CCIORPORH} during power down | 0 | ns |
| 11 | t _{su(VCCIO)f} | Setup time, V _{CC} < V _{CCPORE} before V _{CCIO} < V _{CCIORPRL} | 0 | ns |
| | t _{f(PORRST)} | Filter time PORRST, pulses less than MIN get filtered out; pulses greater than MAX generate a reset. | 30 | 185 ns |
| | t _{f(RST)} | Filter time RST, pulses less than MIN get filtered out; pulses greater than MAX generate a reset. | 40 | 150 ns |

(1) When the V_{CC} timing requirements for PORRST are satisfied, there are no timing requirements for V_{CCP}.

(2) Corresponds to PORRST.

(3) Corresponds to RST.



V_{CC} (1.55 V)
V_{CCP}/V_{CCIOR} (3.3 V)

Note: V_{CC} is provided by the on-chip voltage regulator during normal application run time. It is not recommended to use the device in an application with the Vreg disabled due to potential glitching issues; however, if used in this mode, the application should ensure that the specified voltage ranges for V_{CC} are maintained.

Figure 5-1. PORRST Timing Diagram

Table 5-2. Switching Characteristics Over Recommended Operating Conditions for $\overline{\text{RST}}$ and $\overline{\text{PORRST}}$ ⁽¹⁾

| PARAMETER | | MIN | MAX | UNIT |
|---------------------|--|-------------------------|-----|------|
| t _{v(RST)} | Valid time, $\overline{\text{RST}}$ active after $\overline{\text{PORRST}}$ inactive | 1024t _{c(OSC)} | | ns |
| | Valid time, $\overline{\text{RST}}$ active (all others) | 8t _{c(VCLK)} | | |
| V _{CCIORL} | V _{CCIO} low supply level when $\overline{\text{PORRST}}$ must be active during power-up and power-down | | 1.1 | V |

(1) Specified values do NOT include rise/fall times. For rise and fall timings, see Table 5-13.

Table 5-3. Internal Voltage Regulator Specifications

| PARAMETER | | MIN | MAX | UNIT |
|--------------------------------|---|-----|------|------|
| t _{D(VCCIOR)0-3} | Delay time, input supply to ramp from 0 V to 3 V | 12 | 1000 | μs |
| t _{V(PORRST)L} | Valid time, $\overline{\text{PORRST}}$ active after input supply becomes ≥ 3.0 V | 1 | | ms |
| V _{CCIORmin(PORRST)f} | Minimum input voltage, when $\overline{\text{PORRST}}$ must be made active during power down or brown out | 3.0 | | V |
| C _{(VCC)core} | Capacitance distributed over core V _{CC} pins for voltage regulator stability | 1.2 | 6.0 | μF |
| ESR _{(max)core} | Total combined ESR of stabilization capacitors on core V _{CC} pins | 0 | 0.75 | Ω |

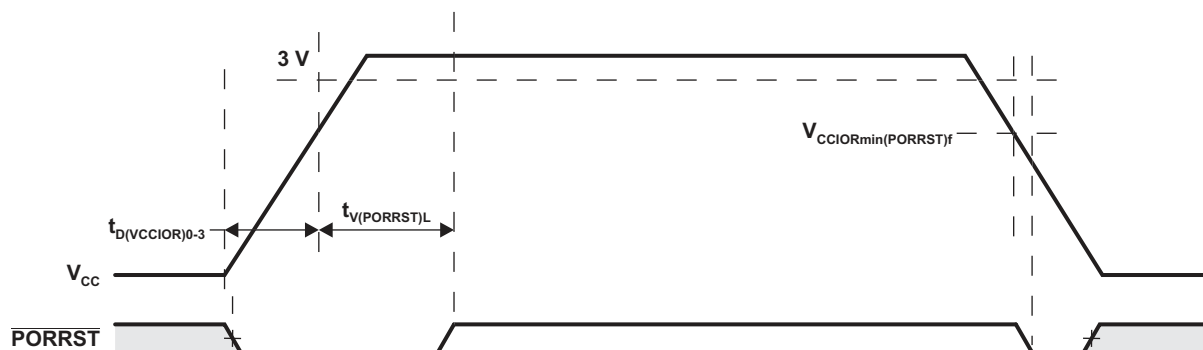


Figure 5-2. PORRST Timing Requirements

Table 5-4. VREG Recommended Operation Conditions

| PARAMETER | | CONDITIONS | MIN | MAX | UNIT |
|-----------------|-----------------------------|-------------------------------|-----|-----|------|
| I _{CC} | V _{CC} Load Rating | Normal mode, regulator active | 0 | 200 | mA |
| | | Off, enable forced off | - | - | μA |

5.2 PLL and Clock Specifications

Table 5-5. Timing Requirements for PLL Circuits Enabled or Disabled

| PARAMETER | | MIN | MAX | UNIT |
|--------------|----------------------------|-----|-----|------|
| $f_{i(OSC)}$ | Input clock frequency | 5 | 20 | MHz |
| $t_{c(OSC)}$ | Cycle time, OSCIN | 50 | | ns |
| $t_w(OSCIL)$ | Pulse duration, OSCIN low | 15 | | ns |
| $t_w(OSCIH)$ | Pulse duration, OSCIN high | 15 | | ns |

5.2.1 External Reference Resonator/Crystal Oscillator Clock Option

The oscillator is enabled by connecting the appropriate fundamental 5-20 MHz resonator/crystal and load capacitors across the external OSCIN and OSCOUT pins as shown in [Figure 5-3\(a\)](#). The oscillator is a single stage inverter held in bias by an integrated bias resistor.

TI strongly encourages each customer to submit samples of the device to the resonator/crystal vendors for validation. Vendors are equipped to determine which load capacitors will best tune their resonator/crystal to the microcontroller device for optimum start-up and operation over temperature/voltage extremes.

5.2.2 External Clock Source

An external oscillator source can be used by connecting a 1.55-V clock signal to the OSCIN pin and leaving the OSCOUT pin unconnected (open) as shown in [Figure 5-3\(b\)](#).



A. The values of C1 and C2 should be provided by the resonator/crystal vendor.

Figure 5-3. Recommended Crystal/Clock Connection

5.2.3 Validated FMPLL Settings

The following table includes the validated FMPLL settings.

Table 5-6. Validated FMPLL Settings

| Mode | OSCIN Frequency (MHz) | PLLCTL1 ⁽¹⁾ | PLLCTL2 ⁽¹⁾ | FMPLL Output Frequency (MHz) | Modulation Bandwidth (KHz) | Modulation Depth |
|------------------------------|-----------------------|------------------------|------------------------|------------------------------|----------------------------|------------------|
| Non-Modulated ⁽²⁾ | 10 | 0x20048B00 | 0x00007800 | 56 | - | - |
| | 12 | 0x20026100 | 0x00007C00 | | | |
| | | 0x20058B00 | 0x00007800 | | | |
| | 14 | 0x20055F00 | 0x00007600 | | | |
| | | 0x20068B00 | 0x00007800 | | | |
| | 16 | 0x20036100 | 0x00007C00 | | | |
| 0x20078B00 | | 0x00007800 | | | | |
| Non-Modulated ⁽²⁾ | 10 | 0x20049F00 | 0x00007800 | 64 | - | - |
| | 12 | 0x20055F00 | 0x00007400 | | | |
| | | 0x20059F00 | 0x00007800 | | | |
| | 14 | 0x20065F00 | 0x00007400 | | | |
| | | 0x20069F00 | 0x00007800 | | | |
| | 16 | 0x20075F00 | 0x00007400 | | | |
| 0x20079F00 | | 0x00007800 | | | | |
| Non-Modulated ⁽²⁾ | 10 | 0x20049F00 | 0x00007600 | 80 | - | - |
| | 12 | 0x20026300 | 0x00007800 | | | |
| | | 0x20059F00 | 0x00007600 | | | |
| | 14 | 0x20067700 | 0x00007400 | | | |
| | | 0x20069F00 | 0x00007600 | | | |
| | 16 | 0x20036300 | 0x00007800 | | | |
| 0x20079F00 | | 0x00007600 | | | | |
| 20 | 0x20099F00 | 0x00007600 | | | | |

- (1) The recommended PLLCTL1 and PLLCTL2 values make no assumption of the intended use of ROS, BPOS, and ROF fields within the PLL control registers. For these settings, the application should set these as appropriate for the specific application requirements.
- (2) Non-Modulated settings provided show FM related bit fields as 0. When initializing the PLLCTL registers for non-modulated use, the FM related bit fields should be masked such that reset/default values are retained.

Table 5-6. Validated FMPLL Settings (continued)

| Mode | OSCIN Frequency (MHz) | PLLCTL1 ⁽¹⁾ | PLLCTL2 ⁽¹⁾ | FMPLL Output Frequency (MHz) | Modulation Bandwidth (KHz) | Modulation Depth |
|---------------------|-----------------------|------------------------|------------------------|------------------------------|----------------------------|------------------|
| Frequency Modulated | 10 | 0x20048B00 | 0x8300B844 | 56 | 76.92 | 0.50% |
| | | 0x20048B00 | 0x8300B889 | | | 1.00% |
| | | 0x20048B00 | 0x82409859 | | 100 | 0.50% |
| | | 0x20048B00 | 0x824098B2 | | | 1.00% |
| | 12 | 0x20058B00 | 0x8300B844 | | 76.92 | 0.50% |
| | | 0x20058B00 | 0x8300B889 | | | 1.00% |
| | | 0x20058B00 | 0x82409859 | | 100 | 0.50% |
| | | 0x20058B00 | 0x824098B2 | | | 1.00% |
| | 14 | 0x20068B00 | 0x8300B844 | | 76.92 | 0.50% |
| | | 0x20068B00 | 0x8300B889 | | | 1.00% |
| | | 0x20068B00 | 0x82409859 | | 100 | 0.50% |
| | | 0x20068B00 | 0x824098B2 | | | 1.00% |
| | 16 | 0x20078B00 | 0x8300B844 | | 76.92 | 0.50% |
| | | 0x20078B00 | 0x8300B889 | | | 1.00% |
| | | 0x20078B00 | 0x82409859 | | 100 | 0.50% |
| | | 0x20078B00 | 0x824098B2 | | | 1.00% |
| | 20 | 0x20098B00 | 0x8300B844 | | 76.92 | 0.50% |
| | | 0x20098B00 | 0x8300B889 | | | 1.00% |
| | | 0x20098B00 | 0x82409859 | | 100 | 0.50% |
| | | 0x20098B00 | 0x824098B2 | | | 1.00% |
| Frequency Modulated | 10 | 0x20049F00 | 0x8300C83B | 64 | 76.92 | 0.50% |
| | | 0x20049F00 | 0x8300C878 | | | 1.00% |
| | | 0x20049F00 | 0x8240A84D | | 100 | 0.50% |
| | | 0x20049F00 | 0x8240A89C | | | 1.00% |
| | 12 | 0x20059F00 | 0x8300C83B | | 76.92 | 0.50% |
| | | 0x20059F00 | 0x8300C878 | | | 1.00% |
| | | 0x20059F00 | 0x8240A84D | | 100 | 0.50% |
| | | 0x20059F00 | 0x8240A89C | | | 1.00% |
| | 14 | 0x20069F00 | 0x8300C83B | | 76.92 | 0.50% |
| | | 0x20069F00 | 0x8300C878 | | | 1.00% |
| | | 0x20069F00 | 0x8240A84D | | 100 | 0.50% |
| | | 0x20069F00 | 0x8240A89C | | | 1.00% |
| | 16 | 0x20079F00 | 0x8300C83B | | 76.92 | 0.50% |
| | | 0x20079F00 | 0x8300C878 | | | 1.00% |
| | | 0x20079F00 | 0x8240A84D | | 100 | 0.50% |
| | | 0x20079F00 | 0x8240A89C | | | 1.00% |
| | 20 | 0x20099F00 | 0x8300C83B | | 76.92 | 0.50% |
| | | 0x20099F00 | 0x8300C878 | | | 1.00% |
| | | 0x20099F00 | 0x8240A84D | | 100 | 0.50% |
| | | 0x20099F00 | 0x8240A89C | | | 1.00% |

Table 5-6. Validated FMPLL Settings (continued)

| Mode | OSCIN Frequency (MHz) | PLLCTL1 ⁽¹⁾ | PLLCTL2 ⁽¹⁾ | FMPLL Output Frequency (MHz) | Modulation Bandwidth (KHz) | Modulation Depth |
|---------------------|-----------------------|------------------------|------------------------|------------------------------|----------------------------|------------------|
| Frequency Modulated | 10 | 0x20049F00 | 0x8300C63B | 80 | 76.92 | 0.50% |
| | | 0x20049F00 | 0x8300C678 | | | 1.00% |
| | | 0x20049F00 | 0x8240A64D | | 100 | 0.50% |
| | | 0x20049F00 | 0x8240A69C | | | 1.00% |
| | 12 | 0x20059F00 | 0x8300C63B | | 76.92 | 0.50% |
| | | 0x20059F00 | 0x8300C678 | | | 1.00% |
| | | 0x20059F00 | 0x8240A64D | | 100 | 0.50% |
| | | 0x20059F00 | 0x8240A69C | | | 1.00% |
| | 14 | 0x20069F00 | 0x8300C63B | | 76.92 | 0.50% |
| | | 0x20069F00 | 0x8300C678 | | | 1.00% |
| | | 0x20069F00 | 0x8240A64D | | 100 | 0.50% |
| | | 0x20069F00 | 0x8240A69C | | | 1.00% |
| | 16 | 0x20079F00 | 0x8300C63B | | 76.92 | 0.50% |
| | | 0x20079F00 | 0x8300C678 | | | 1.00% |
| | | 0x20079F00 | 0x8240A64D | | 100 | 0.50% |
| | | 0x20079F00 | 0x8240A69C | | | 1.00% |
| | 20 | 0x20099F00 | 0x8300C63B | | 76.92 | 0.50% |
| | | 0x20099F00 | 0x8300C678 | | | 1.00% |
| | | 0x20099F00 | 0x8240A64D | | 100 | 0.50% |
| | | 0x20099F00 | 0x8240A69C | | | 1.00% |

5.2.4 LPO and Clock Detection

The LPOCLKDET module consists of a clock monitor (CLKDET) and 2 low-power oscillators (LPO): a low-frequency (LF) and a high-frequency (HF) oscillator. The CLKDET is a supervisor circuit for an externally supplied clock signal. In case the externally supplied clock frequency falls out of a frequency window, the clock detector flags this condition and switches to the HF LPO clock (limp mode). The OSCFAIL flag and clock switch-over remain, regardless of the behavior of the oscillator clock signal. The only way OSCFAIL can be cleared (and OSCIN be again the driving clock) is a power-on reset.

Table 5-7. LPO and Clock Detection

| PARAMETER | | MIN | TYP | MAX | UNIT |
|-----------------------------|------------------|------|-----|------|------|
| invalid frequency | Lower threshold | 1.5 | | 5.0 | MHz |
| | Higher threshold | 20.0 | | 50.0 | MHz |
| limp mode frequency (HFosc) | | 7.6 | 12 | 14.0 | MHz |
| LFosc frequency | | 50 | 90 | 124 | kHz |
| HFosc frequency | | 7.6 | 12 | 14.0 | MHz |

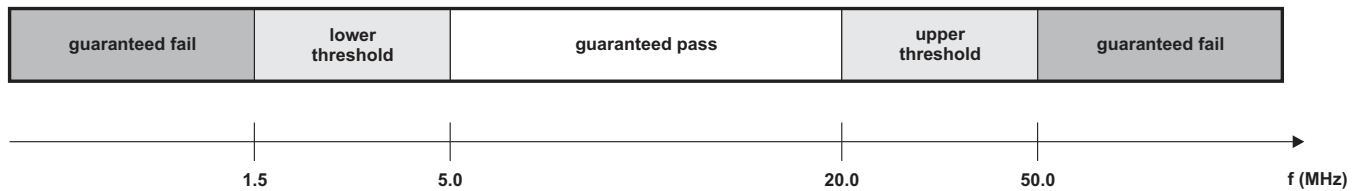
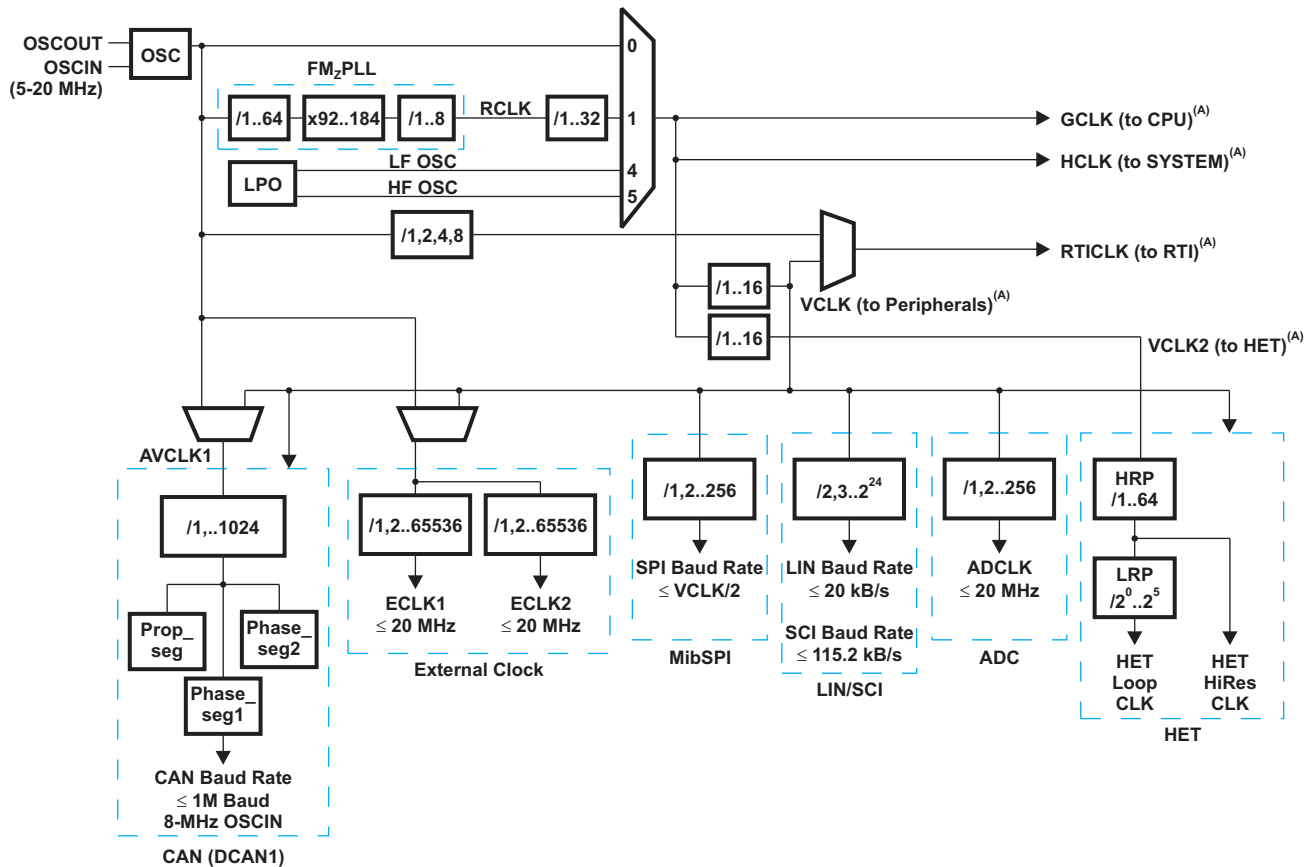


Figure 5-4. LPO and Clock Detection

5.2.5 Device Clock Domains Block Diagram

The clock domains block diagram and GCM clock source assignments are given in Figure 5-5 and Table 5-8.



A. See Table 5-9.

Figure 5-5. Device Clock Domains Block Diagram

Table 5-8. GCM Clock Source Assignments

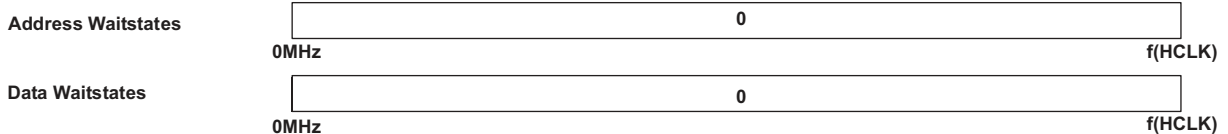
| GCM SOURCE NUMBER | CLOCK SOURCE |
|-------------------|--------------|
| 0 | OSCIN |
| 1 | F035 FMzPLL |
| 2 | Reserved |
| 3 | Reserved |
| 4 | LF OSC |
| 5 | HF OSC |
| 6 | Reserved |
| 7 | Reserved |

Table 5-9. Switching Characteristics Over Recommended Operating Conditions for Clocks⁽¹⁾⁽²⁾⁽³⁾⁽⁴⁾⁽⁵⁾

| PARAMETER | | TEST CONDITIONS ⁽⁶⁾ | MIN | MAX | UNIT |
|----------------------------|---|---|----------------------|---------------------|------|
| f _(HCLK) | System clock frequency | Pipeline mode enabled | | 80 | MHz |
| | | Pipeline mode disabled, 0 flash wait states | | 28 | |
| f _(PROG/ERASE) | System clock frequency Flash programming/erase | | | 80 | MHz |
| f _(VCLK/VCLK2) | Peripheral VBUS clock frequency | | | f _(HCLK) | MHz |
| f _(ECLK) | External clock output frequency for ECP Module | | | 20 | MHz |
| f _(RCLK) | RCLK - Frequency out of PLL macro into R-divider (Post ODPLL divider) | | | 145 | MHz |
| t _{c(HCLK)} | Cycle time, system clock | Pipeline mode enabled | 12.50 | | ns |
| | | Pipeline mode disabled, 0 flash wait states | 35.71 | | |
| t _{c(PROG/ERASE)} | Cycle time, system clock - Flash programming/erase | | 12.50 | | ns |
| t _{c(VCLK/VCLK2)} | Cycle time, peripheral clock | | t _{c(HCLK)} | | ns |
| t _{c(ECLK)} | Cycle time, ECP module external clock output | | 50.0 | | ns |
| t _{c(RCLK)} | Cycle time, RCLK minimum input cycle time out of PLL macro into R-divider | | 6.90 | | ns |

- (1) $f_{(HCLK)} = f_{(OSC)} / NR * NF / ODPLL/PLLDIV$; for details, see the PLL documentation. TI strongly recommends selection of NR and NF parameters such that $NF \leq 120$ and $(f_{(OSC)} / NR * NF) \leq 400$.
 $f_{(VCLK)} = f_{(HCLK)} / X$, where $X = \{1,2,3,4,5,6,7,8,9,10,11,12,13,14,15,16\}$. X is the peripheral VBUS clock divider ratio determined by the VCLKR[3:0] bits in the SYS module.
- (2) Enabling FM mode can reduce maximum rated operating frequencies. The degree of impact is application-specific and the specific settings, as well as the impact of the settings, should be discussed and agreed upon prior to using FM modes. Use of FM modes do not impact the maximum rated external clock output, f_(ECLK), for the ECP module.
- (3) Pipeline mode enabled or disabled is determined by FRDCNTL[2:0].
- (4) $f_{(ECLK)} = f_{(VCLK)} / N$, where $N = \{1 \text{ to } 65536\}$. N is the ECP prescale value defined by the ECPCTRL.[15:0] register bits in the ECP module.
- (5) ECLK output will increase radiated emissions within the system that is used. Rated emissions at the device level do not include emissions due to ECLK output.
- (6) All test conditions assume FM Mode disabled and RAM ECC enabled with 0 waitstates for RAM.

RAM



Flash



Figure 5-6. Timing - Wait States

NOTE

If FMzPLL frequency modulation is enabled, special care must be taken to ensure that the maximum system clock frequency f(HCLK) and peripheral clock frequency f(VCLK) are not exceeded. The speed of the device clocks may need be derated to accommodate the modulation depth when FMzPLL frequency modulation is enabled.

5.2.5.1 ECLK Specification

Table 5-10. Switching Characteristics Over Recommended Operating Conditions for External Clocks⁽¹⁾⁽²⁾
(see Figure 5-7)

| NO. | PARAMETER | | TEST CONDITIONS | MIN | MAX | UNIT |
|-----|--------------|---------------------------|--|------------------------|-----|------|
| 1 | $t_{w(EOL)}$ | Pulse duration, ECLK low | Under all prescale factor combinations (X and N) | $0.5t_{c(ECLK)} - t_r$ | | ns |
| 2 | $t_{w(EOH)}$ | Pulse duration, ECLK high | Under all prescale factor combinations (X and N) | $0.5t_{c(ECLK)} - t_r$ | | ns |

- (1) X = {1,2,3,4,5,6,7,8,9,10,11,12,13,14,15,16}. X is the VBUS interface clock divider ratio determined by the CLKCNTL.[19:16] bits in the SYS module.
 (2) N = {1 to 65536}. N is the ECP prescale value defined by the ECPCNTL.[15:0] register bits in the SYS module.

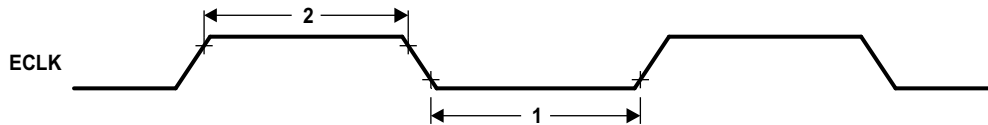


Figure 5-7. ECLK Timing Diagram

5.2.6 TEST Pin Glitch Filter Timing

Table 5-11. Test Pin Glitch Filter Timing

| NO. | PARAMETER | | MIN | MAX | UNIT |
|-----|--------------------|---|-----|-----|------|
| | $t_f(\text{TEST})$ | Filter time TEST, high pulses less than MIN will be filtered out. | 40 | | ns |

5.2.7 JTAG Timing

Table 5-12. JTAG Scan Interface Timing (JTAG Clock specification 10-MHz and 50-pF Load on TDO Output)

(see Figure 5-8)

| NO. | | | MIN | MAX | UNIT |
|-----|--------------------------|---|-----|-----|------|
| 1 | $t_{c(JTAG)}$ | Cycle time, JTAG low and high period | 50 | | ns |
| 2 | $t_{su(TDI/TMS - TCKr)}$ | Setup time, TDI, TMS before TCK rise (TCKr) | 5 | | ns |
| 3 | $t_h(TCKr - TDI/TMS)$ | Hold time, TDI, TMS after TCKr | 5 | | ns |
| 4 | $t_h(TCKf - TDO)$ | Hold time, TDO after TCKf | 5 | | ns |
| 5 | $t_d(TCKf - TDO)$ | Delay time, TDO valid after TCK fall (TCKf) | | 45 | ns |

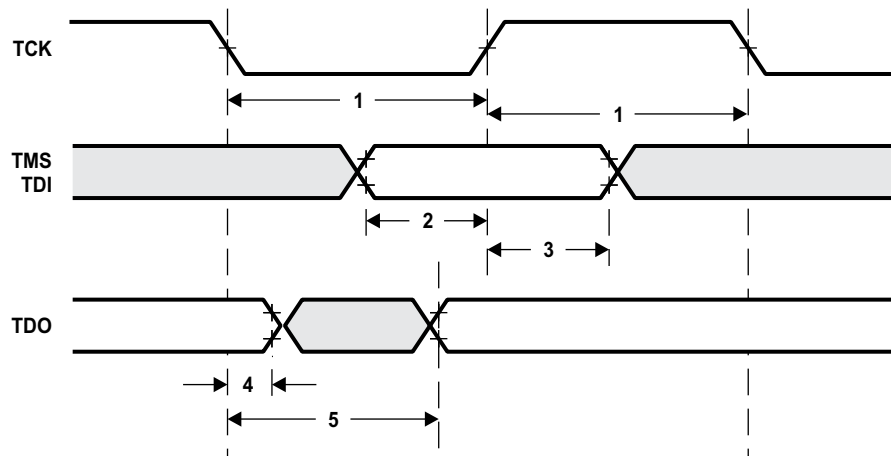


Figure 5-8. JTAG Scan Timings

5.2.8 Output Timings

Table 5-13. Switching Characteristics for Output Timings Versus Load Capacitance (C_L)⁽¹⁾

(see Figure 5-9)

| PARAMETER | | MAX | UNIT |
|-----------|------------------------------|----------------|------|
| t_r | Adaptive impedance 4 mA pins | $C_L = 15$ pF | 4 |
| | | $C_L = 50$ pF | 8 |
| | | $C_L = 100$ pF | 15 |
| | | $C_L = 150$ pF | 21 |
| t_f | Adaptive impedance 4 mA pins | $C_L = 15$ pF | 5 |
| | | $C_L = 50$ pF | 8 |
| | | $C_L = 100$ pF | 12 |
| | | $C_L = 150$ pF | 17 |

(1) Peripheral output timings given within this document are measured in either standard buffer or impedance control mode.

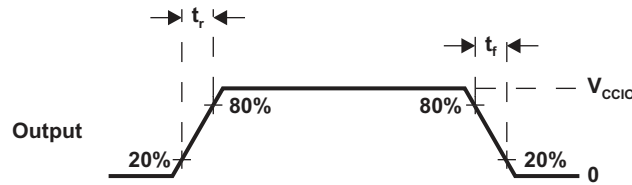


Figure 5-9. CMOS-Level Outputs

5.2.9 Input Timings

Table 5-14. Timing Requirements for Input Timings⁽¹⁾

(see Figure 5-10)

| | | MIN | MAX | UNIT |
|----------|---------------------------|--------------------|-----|------|
| t_{pw} | Input minimum pulse width | $t_{c(VCLK)} + 10$ | | ns |

(1) $t_{c(VCLK)}$ = peripheral VBUS clock cycle time = $1 / f_{(VCLK)}$.

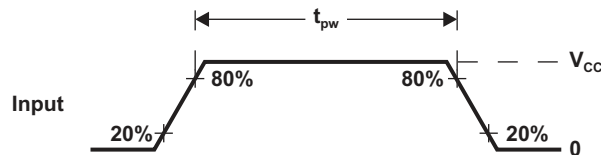


Figure 5-10. CMOS-Level Inputs

5.2.10 Flash Timings

Table 5-15. Timing Requirements for Program Flash

| PARAMETER | | TEST CONDITIONS | MIN | NOM | MAX | UNIT |
|-----------------------------------|--|----------------------------------|-----|------|-------------------------|---------------|
| $t_{\text{acc_delay}}$ | Flash pump stabilization time | From Sleep Mode to Standby Mode | 20 | | | μs |
| | | From Standby Mode to Active Mode | 1 | | | |
| | Flash bank stabilization time | From Sleep Mode to Standby Mode | 1.9 | | | |
| | | From Standby Mode to Active Mode | 0.1 | | | |
| $t_{\text{prog}(32\text{-bit})}$ | Half-word (32-bit) programming time | | | 37.5 | 300 | μs |
| $t_{\text{prog}(\text{Total})}$ | 384k-byte programming time ⁽¹⁾ | | | 3.7 | 29.5 | s |
| | 448k-byte programming time ⁽¹⁾ | | | 4.3 | 34.4 | |
| $t_{\text{erase}(\text{sector})}$ | Sector erase time | | | 1.5 | 15 | s |
| N_{wec} | Write/erase cycles at TA = -40 to 125°C with 15-year Data Retention requirement | | | | 1000 ⁽²⁾ | cycles |
| | Write/erase cycles at TA = -40 to 125°C EEPROM emulation requirement for 16k flash sectors in Bank 1 | | | | 25000 ⁽²⁾⁽³⁾ | cycles |

- (1) $t_{\text{prog}(\text{Total})}$ programming time includes overhead of state machine, but does not include data transfer time.
- (2) Flash write/erase cycles and data retention specifications are based on a validated implementation of the TI flash API. Non-TI flash API implementation is not supported. For detailed description see the *F035 Flash Validation Procedure (SPNA127)*.
- (3) Flash write/erase cycle and data retention specifications are based on an assumed distribution of write/erase cycles over the life of the product including an even distribution over the rated temperature range and time between cycles. The EEPROM emulation bank has been qualified as outlined in the JEDEC specification JESD22-A117C.

5.3 SPIn Master Mode Timing Parameters

Table 5-16. SPIn Master Mode External Timing Parameters (CLOCK PHASE = 0, SPInCLK = output, SPInSIMO = output, and SPInSOMI = input)⁽¹⁾⁽²⁾⁽³⁾

(see Figure 5-11 and Figure 5-12)

| NO. | | | MIN | MAX | UNIT |
|---------------------|----------------------|--|---|--|------|
| 1 | $t_{c(SPC)M}$ | Cycle time, SPICLK ⁽⁴⁾ | 90 | $256t_{c(VCLK)}$ | |
| 2 ⁽⁵⁾ | $t_{w(SPCH)M}$ | Pulse duration, SPICLK high (clock polarity = 0) | $0.5t_{c(SPC)M} - t_r8$ | $0.5t_{c(SPC)M} + 5$ | |
| | $t_{w(SPCL)M}$ | Pulse duration, SPICLK low (clock polarity = 1) | $0.5t_{c(SPC)M} - t_r8$ | $0.5t_{c(SPC)M} + 5$ | |
| 3 ⁽⁵⁾ | $t_{w(SPCL)M}$ | Pulse duration, SPICLK low (clock polarity = 0) | $0.5t_{c(SPC)M} - t_r8$ | $0.5t_{c(SPC)M} + 5$ | |
| | $t_{w(SPCH)M}$ | Pulse duration, SPICLK high (clock polarity = 1) | $0.5t_{c(SPC)M} - t_r8$ | $0.5t_{c(SPC)M} + 5$ | |
| 4 ⁽⁵⁾ | $t_{d(SIMO-SPCL)M}$ | Delay time, SPISIMO data valid before SPICLK low (clock polarity = 0) | $0.5t_{c(SPC)M} - 10$ | | |
| | $t_{d(SIMO-SPCH)M}$ | Delay time, SPISIMO data valid before SPICLK high (clock polarity = 1) | $0.5t_{c(SPC)M} - 10$ | | |
| 5 ⁽⁵⁾ | $t_{v(SPCL-SIMO)M}$ | Valid time, SPISIMO data valid (clock polarity = 0) | $0.5t_{c(SPC)M} - t_r(SPC)-5$ | | |
| | $t_{v(SPCH-SIMO)M}$ | Valid time, SPISIMO data valid (clock polarity = 1) | $0.5t_{c(SPC)M} - t_r(SPC)-5$ | | |
| 6 ⁽⁵⁾ | $t_{su(SOMI-SPCL)M}$ | Setup time, SPISOMI before SPICLK low (clock polarity = 0) | $t_r(SPC)+4$ | | ns |
| | $t_{su(SOMI-SPCH)M}$ | Setup time, SPISOMI before SPICLK high (clock polarity = 1) | $t_r(SPC)+4$ | | |
| 7 ⁽⁵⁾ | $t_h(SPCL-SOMI)M$ | Hold time, SPISOMI data valid after SPICLK low (clock polarity = 0) | 10 | | |
| | $t_h(SPCH-SOMI)M$ | Hold time, SPISOMI data valid after SPICLK high (clock polarity = 1) | 10 | | |
| 8 ⁽⁵⁾⁽⁶⁾ | $t_{C2TDELAY}$ | Setup time CS active until SPICLK high (clock polarity = 0) | $(C2TDELAY+CSHOLD+2)*t_{c(VCLK)} - t_r(SPICS) + t_r(SPICLK)-21$ | $(C2TDELAY+CSHOLD+2)*t_{c(VCLK)} - t_r(SPICS) + t_r(SPICLK)+6$ | |
| | | Setup time CS active until SPICLK low (clock polarity = 1) | $(C2TDELAY+CSHOLD+2)*t_{c(VCLK)} - t_r(SPICS) + t_r(SPICLK)-21$ | $(C2TDELAY+CSHOLD+2)*t_{c(VCLK)} - t_r(SPICS) + t_r(SPICLK)+6$ | |
| 9 ⁽⁵⁾⁽⁶⁾ | $t_{T2CDELAY}$ | Hold time SPICLK low until CS inactive (clock polarity = 0) | $0.5*t_{c(SPC)M} + T2CDELAY*t_{c(VCLK)} + t_{c(VCLK)} - t_r(SPICLK) + t_r(SPICS)-4$ | $0.5*t_{c(SPC)M} + T2CDELAY*t_{c(VCLK)} + t_{c(VCLK)} - t_r(SPICLK) + t_r(SPICS)+17$ | |
| | | Hold time SPICLK high until CS inactive (clock polarity = 1) | $0.5*t_{c(SPC)M} + T2CDELAY*t_{c(VCLK)} + t_{c(VCLK)} - t_r(SPICLK) + t_r(SPICS)-4$ | $0.5*t_{c(SPC)M} + T2CDELAY*t_{c(VCLK)} + t_{c(VCLK)} - t_r(SPICLK) + t_r(SPICS)+17$ | |
| 10 | t_{SPIENA} | SPIENAn sample point | $C2TDELAY * t_{c(VCLK)} - t_r(SPICS)-25$ | $C2TDELAY * t_{c(VCLK)}$ | ns |

(1) The MASTER bit (SPIGCR1.0) is set and the CLOCK PHASE bit (SPIFMTx.16) is clear.

(2) $t_{c(VCLK)}$ = interface clock cycle time = $1 / f_{(VCLK)}$.

(3) For rise and fall timings, see Table 5-13.

(4) When the SPI is in Master mode, the following must be true:

- For PS values from 1 to 255: $t \geq (PS + 1)t_{c(VCLK)} \geq 90$ ns, where PS is the prescale value set in the SPIFMTx.[15:8] register bits.
- For PS values of 0: $t_{c(SPC)M} = 2t_{c(VCLK)} \geq 90$ ns.

(5) The active edge of the SPInCLK signal referenced is controlled by the CLOCK POLARITY bit (SPIFMTx.17).

(6) C2TDELAY and T2CDELAY are programmed in the SPIDELAY register.

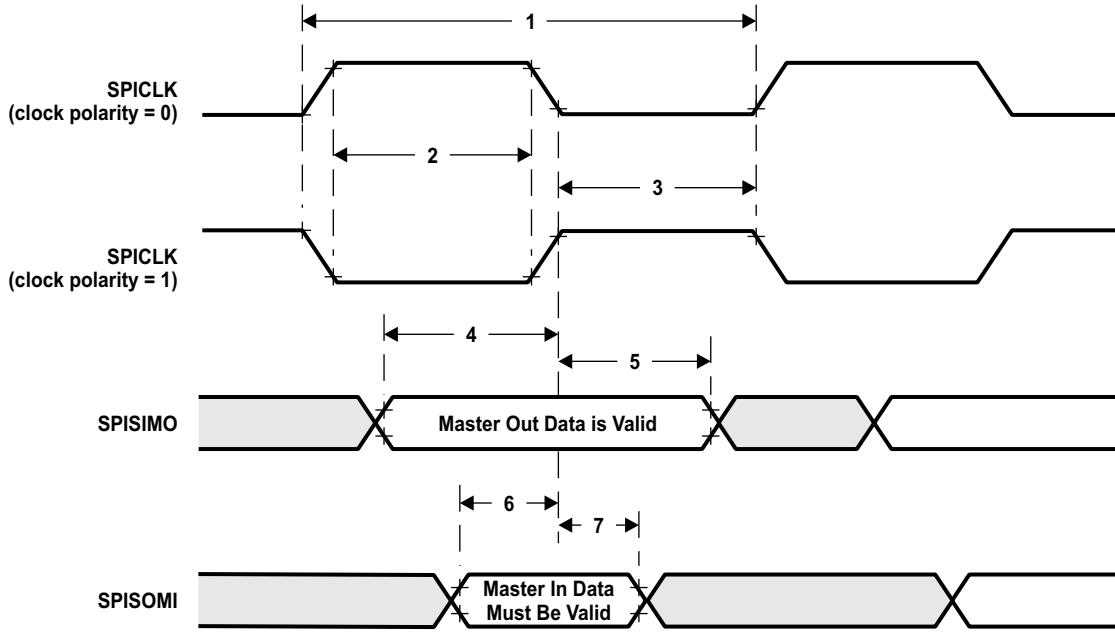


Figure 5-11. SPI Master Mode External Timing (CLOCK PHASE = 0)

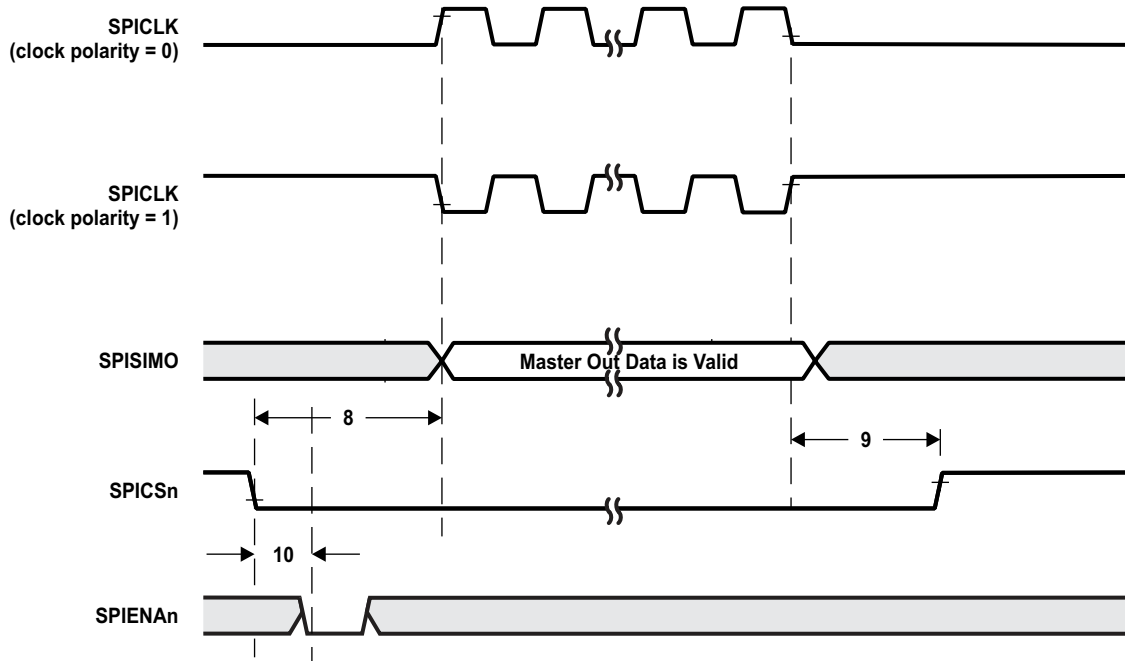


Figure 5-12. SPI Master Mode Chip Select Timing (CLOCK PHASE = 0)

Table 5-17. SPIn Master Mode External Timing Parameters (CLOCK PHASE = 1, SPInCLK = output, SPInSIMO = output, and SPInSOMI = input)⁽¹⁾⁽²⁾⁽³⁾

(see Figure 5-13 and Figure 5-14)

| NO. | | | MIN | MAX | UNIT |
|---------------------|----------------------|--|---|--|------|
| 1 | $t_{c(SPC)M}$ | Cycle time, SPICLK ⁽⁴⁾ | 90 | $256t_{c(VCLK)}$ | |
| 2 ⁽⁵⁾ | $t_{w(SPCH)M}$ | Pulse duration, SPICLK high (clock polarity = 0) | $0.5t_{c(SPC)M} - t_r-8$ | $0.5t_{c(SPC)M} + 5$ | |
| | $t_{w(SPCL)M}$ | Pulse duration, SPICLK low (clock polarity = 1) | $0.5t_{c(SPC)M} - t_r-8$ | $0.5t_{c(SPC)M} + 5$ | |
| 3 ⁽⁵⁾ | $t_{w(SPCL)M}$ | Pulse duration, SPICLK low (clock polarity = 0) | $0.5t_{c(SPC)M} - t_r-8$ | $0.5t_{c(SPC)M} + 5$ | |
| | $t_{w(SPCH)M}$ | Pulse duration, SPICLK high (clock polarity = 1) | $0.5t_{c(SPC)M} - t_r-8$ | $0.5t_{c(SPC)M} + 5$ | |
| 4 ⁽⁵⁾ | $t_{v(SIMO-SPCH)M}$ | Valid time, SPISIMO data valid before SPICLK high (clock polarity = 0) | $0.5t_{c(SPC)M} - 10$ | | |
| | $t_{v(SIMO-SPCL)M}$ | Valid time, SPISIMO data valid before SPICLK low (clock polarity = 1) | $0.5t_{c(SPC)M} - 10$ | | |
| 5 ⁽⁵⁾ | $t_{v(SPCH-SIMO)M}$ | Valid time, SPISIMO data valid after SPICLK high (clock polarity = 0) | $0.5t_{c(SPC)M} - t_r(SPC)-5$ | | |
| | $t_{v(SPCL-SIMO)M}$ | Valid time, SPISIMO data valid after SPICLK low (clock polarity = 1) | $0.5t_{c(SPC)M} - t_r(SPC)-5$ | | |
| 6 ⁽⁵⁾ | $t_{su(SOMI-SPCH)M}$ | Setup time, SPISOMI before SPICLK high (clock polarity = 0) | $t_r(SPC)+4$ | | ns |
| | $t_{su(SOMI-SPCL)M}$ | Setup time, SPISOMI before SPICLK low (clock polarity = 1) | $t_r(SPC)+4$ | | |
| 7 ⁽⁵⁾ | $t_h(SPCH-SOMI)M$ | Hold time, SPISOMI data valid after SPICLK high (clock polarity = 0) | 10 | | |
| | $t_h(SPCL-SOMI)M$ | Hold time, SPISOMI data valid after SPICLK low (clock polarity = 1) | 10 | | |
| 8 ⁽⁵⁾⁽⁶⁾ | $t_{C2DELAY}$ | Setup time CS active until SPICLK high (clock polarity = 0) | $0.5t_{c(SPC)M}+(C2TDELAY +CSHOLD+2)*t_{c(VCLK)} - t_r(SPICS) + t_r(SPICLK)-21$ | $0.5t_{c(SPC)M}+(C2TDELAY +CSHOLD+2)*t_{c(VCLK)} - t_r(SPICS) + t_r(SPICLK)+6$ | |
| | | Setup time CS active until SPICLK low (clock polarity = 1) | $0.5t_{c(SPC)M}+(C2TDELAY +CSHOLD+2)*t_{c(VCLK)} - t_r(SPICS) + t_r(SPICLK)-21$ | $0.5t_{c(SPC)M}+(C2TDELAY +CSHOLD+2)*t_{c(VCLK)} - t_r(SPICS) + t_r(SPICLK)+6$ | |
| 9 ⁽⁵⁾⁽⁶⁾ | $t_{T2DELAY}$ | Hold time SPICLK low CS until inactive (clock polarity = 0) | $T2CDELAY*t_{c(VCLK)} + t_{c(VCLK)} - t_r(SPICLK) + t_r(SPICS)-4$ | $T2CDELAY*t_{c(VCLK)} + t_{c(VCLK)} - t_r(SPICLK) + t_r(SPICS)+17$ | |
| | | Hold time SPICLK high until CS inactive (clock polarity = 1) | $T2CDELAY*t_{c(VCLK)} + t_{c(VCLK)} - t_r(SPICLK) + t_r(SPICS)-4$ | $T2CDELAY*t_{c(VCLK)} + t_{c(VCLK)} - t_r(SPICLK) + t_r(SPICS)+17$ | |
| 10 ⁽⁷⁾ | t_{SPIENA} | SPIENAn Sample Point | $C2TDELAY * t_{c(VCLK)} - t_r(SPICS)-25$ | $C2TDELAY * t_{c(VCLK)}$ | ns |

- (1) The MASTER bit (SPIGCR1.0) is set and the CLOCK PHASE bit (SPIFMTx.16) is clear.
- (2) $t_{c(VCLK)}$ = interface clock cycle time = $1 / f_{(VCLK)}$.
- (3) For rise and fall timings, see Table 5-13.
- (4) When the SPI is in Master mode, the following must be true:
 - For PS values from 1 to 255: $t \geq (PS + 1)t_{c(VCLK)} \geq 90$ ns, where PS is the prescale value set in the SPIFMTx.[15:8] register bits.
 - For PS values of 0: $t_{c(SPC)M} = 2t_{c(VCLK)} \geq 90$ ns.
- (5) The active edge of the SPInCLK signal referenced is controlled by the CLOCK POLARITY bit (SPIFMTx.17).
- (6) C2TDELAY and T2CDELAY is programmed in the SPIDELAY register.
- (7) C2TDELAY and T2CDELAY is programmed in the SPIDELAY register.

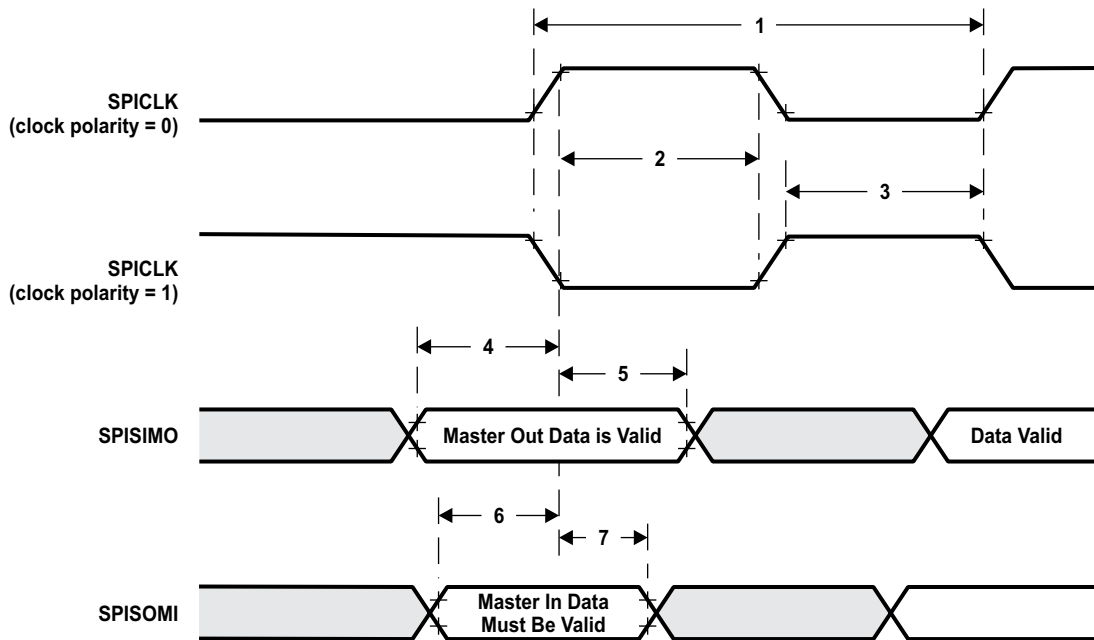


Figure 5-13. SPI Master Mode External Timing (CLOCK PHASE = 1)

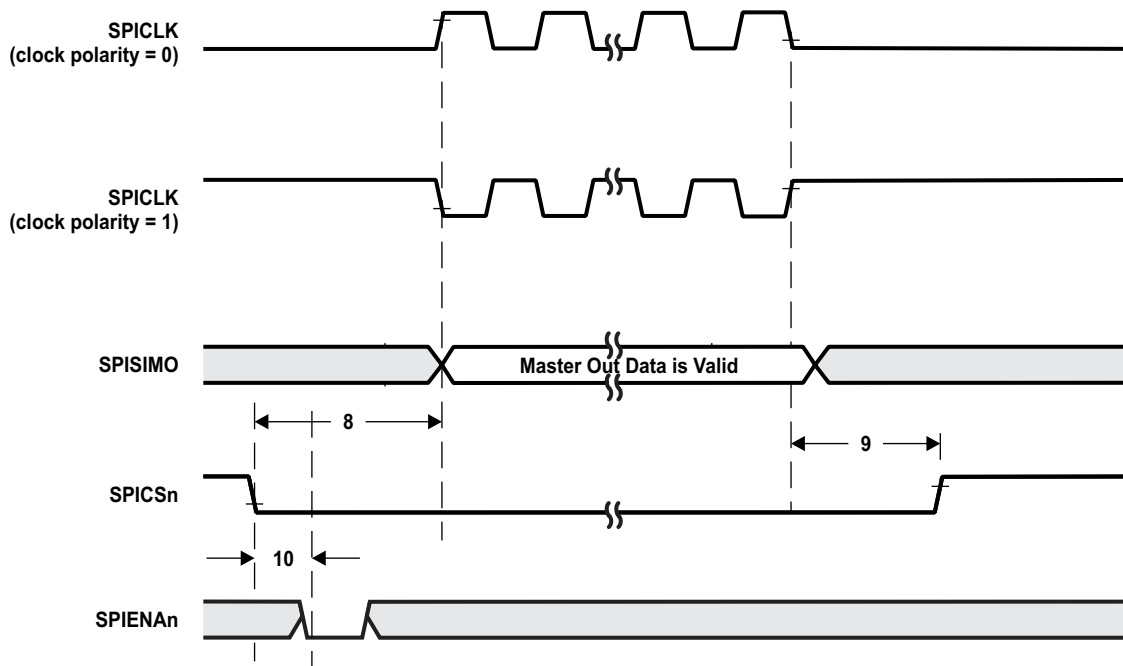


Figure 5-14. SPI Master Mode Chip Select timing (CLOCK PHASE = 1)

5.4 SPIn Slave Mode Timing Parameters

Table 5-18. SPIn Slave Mode External Timing Parameters (CLOCK PHASE = 0, SPInCLK = input, SPInSIMO = input, and SPInSOMI = output)⁽¹⁾⁽²⁾⁽³⁾⁽⁴⁾

(see [Figure 5-15](#) and [Figure 5-16](#))

| NO. | | | MIN | MAX | UNIT |
|------------------|----------------------|---|------------------|---------------------------------|------|
| 1 | $t_{c(SPC)S}$ | Cycle time, SPInCLK ⁽⁵⁾ | 90 | | |
| 2 ⁽⁶⁾ | $t_{w(SPCH)S}$ | Pulse duration, SPInCLK high (clock polarity = 0) | 30 | | |
| | $t_{w(SPCL)S}$ | Pulse duration, SPInCLK low (clock polarity = 1) | 30 | | |
| 3 ⁽⁶⁾ | $t_{w(SPCL)S}$ | Pulse duration, SPInCLK low (clock polarity = 0) | 30 | | |
| | $t_{w(SPCH)S}$ | Pulse duration, SPInCLK high (clock polarity = 1) | 30 | | |
| 4 ⁽⁶⁾ | $t_{d(SPCH-SOMI)S}$ | Delay time, SPInCLK high to SPInSOMI valid (clock polarity = 0) | | $t_{r(SOMI)}+17$ | |
| | $t_{d(SPCL-SOMI)S}$ | Delay time, SPInCLK low to SPInSOMI valid (clock polarity = 1) | | $t_{r(SOMI)}+17$ | |
| 5 ⁽⁶⁾ | $t_{v(SPCH-SOMI)S}$ | Valid time, SPInSOMI data valid after SPInCLK high (clock polarity = 0) | 0 | | ns |
| | $t_{v(SPCL-SOMI)S}$ | Valid time, SPInSOMI data valid after SPInCLK low (clock polarity = 1) | 0 | | |
| 6 ⁽⁶⁾ | $t_{su(SIMO-SPCL)S}$ | Setup time, SPInSIMO before SPInCLK low (clock polarity = 0) | 5 | | |
| | $t_{su(SIMO-SPCH)S}$ | Setup time, SPInSIMO before SPInCLK high (clock polarity = 1) | 5 | | |
| 7 ⁽⁶⁾ | $t_{v(SPCL-SIMO)S}$ | Valid time, SPInSIMO data valid after SPInCLK low (clock polarity = 0) | 6 | | |
| | $t_{v(SPCH-SIMO)S}$ | Valid time, SPInSIMO data valid after SPInCLK high (clock polarity = 1) | 6 | | |
| 8 | $t_{d(SPCL-SENAH)S}$ | Delay time, SPIENAn high after last SPICLK low (clock polarity = 0) | $1.5t_{c(VCLK)}$ | $2.5t_{c(VCLK)}+t_{r(ENAn)}+20$ | ns |
| | $t_{d(SPCH-SENAH)S}$ | Delay time, SPIENAn high after last SPICLK high (clock polarity = 1) | $1.5t_{c(VCLK)}$ | $2.5t_{c(VCLK)}+t_{r(ENAn)}+20$ | |
| 9 | $t_{d(SCSL-SENAL)S}$ | Delay time, SPIENAn low after SPICSn low (if new data has been written to the SPI buffer) | $t_{f(ENAn)}$ | $t_{c(VCLK)}+t_{f(ENAn)}+18$ | ns |

(1) The MASTER bit (SPIGCR1.0) is clear and the CLOCK PHASE bit (SPIFMTx.16) is clear.

(2) When the SPI is in Slave mode, the following must be true: $t_{c(SPC)S} > 2t_{c(VCLK)}$ and $t_{c(SPC)S} \geq 90$ ns.

(3) For rise and fall timings, see [Table 5-13](#).

(4) $t_{c(VCLK)}$ = interface clock cycle time = $1 / f_{(VCLK)}$.

(5) When the SPI is in Slave mode, the following must be true: $t_{w(SPCL)S} > t_{c(VCLK)}$, $t_{w(SPCL)S} \geq 30$, $t_{w(SPCH)S} > t_{c(VCLK)}$ ns and $t_{w(SPCH)S} \geq 30$ ns.

(6) The active edge of the SPInCLK signal referenced is controlled by the CLOCK POLARITY bit (SPIFMTx.17).

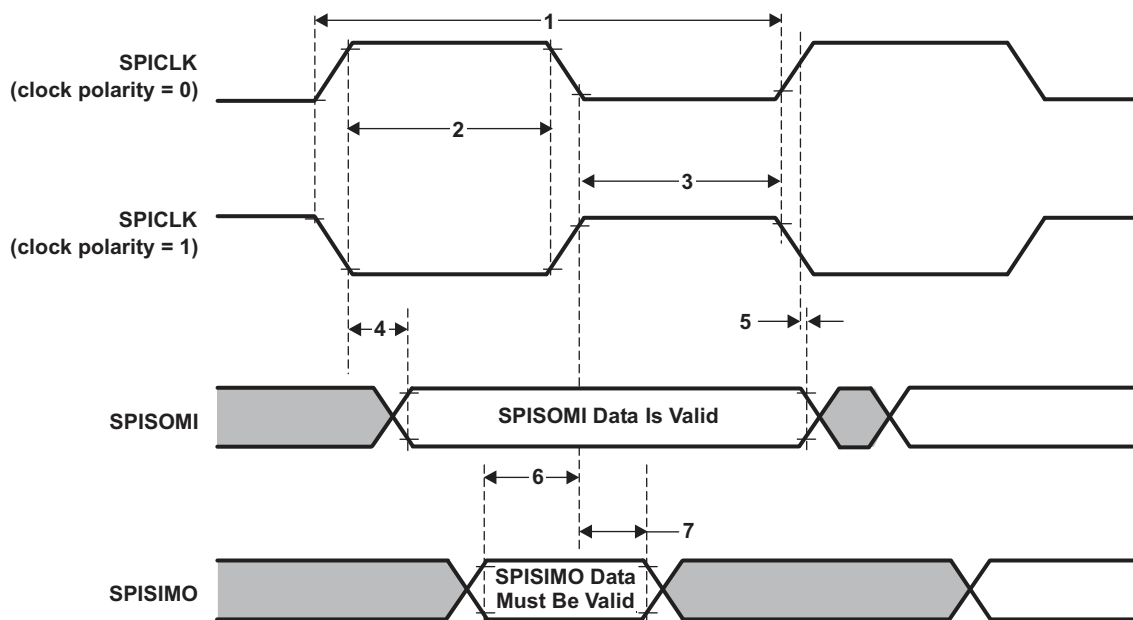


Figure 5-15. SPI Slave Mode External Timing (CLOCK PHASE = 0)

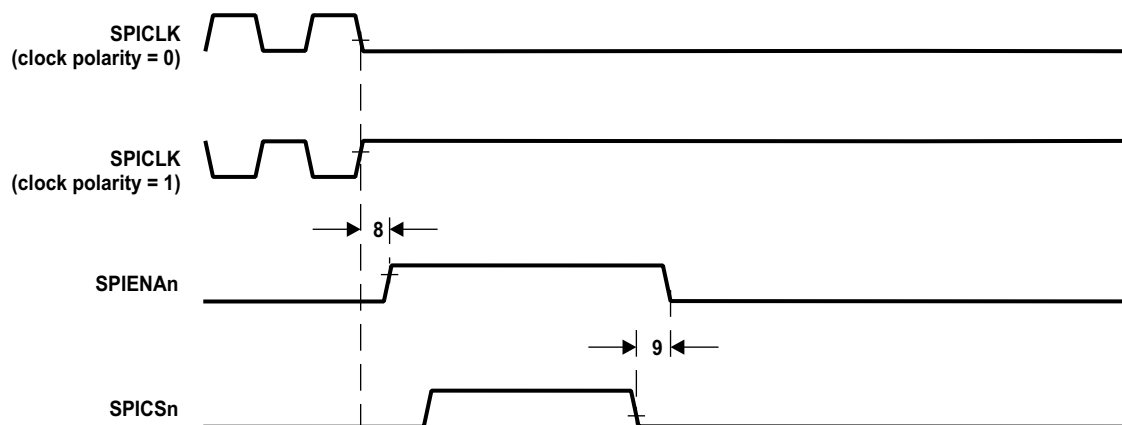


Figure 5-16. SPI Slave Mode Enable Timing (CLOCK PHASE = 0)

Table 5-19. SPIn Slave Mode External Timing Parameters (CLOCK PHASE = 1, SPInCLK = input, SPInSIMO = input, and SPInSOMI = output)⁽¹⁾⁽²⁾⁽³⁾⁽⁴⁾

(see [Figure 5-17](#) and [Figure 5-18](#))

| NO. | | | MIN | MAX | UNIT |
|------------------|----------------------|---|------------------|---------------------------------|------|
| 1 | $t_{c(SPC)S}$ | Cycle time, SPInCLK ⁽⁵⁾ | 90 | | ns |
| 2 ⁽⁶⁾ | $t_{w(SPCH)S}$ | Pulse duration, SPInCLK high (clock polarity = 0) | 30 | | |
| | $t_{w(SPCL)S}$ | Pulse duration, SPInCLK low (clock polarity = 1) | 30 | | |
| 3 ⁽⁶⁾ | $t_{w(SPCL)S}$ | Pulse duration, SPInCLK low (clock polarity = 0) | 30 | | |
| | $t_{w(SPCH)S}$ | Pulse duration, SPInCLK high (clock polarity = 1) | 30 | | |
| 4 ⁽⁶⁾ | $t_{d(SPCH-SOMI)S}$ | Delay time, SPInSOMI data valid after SPInCLK high (clock polarity = 0) | | $t_{r(SOMI)}+17$ | |
| | $t_{d(SPCL-SOMI)S}$ | Delay time, SPInSOMI data valid after SPInCLK low (clock polarity = 1) | | $t_{r(SOMI)}+17$ | |
| 5 ⁽⁶⁾ | $t_{v(SOMI-SPCH)S}$ | Valid time, SPInCLK high after SPInSOMI data valid (clock polarity = 0) | 0 | | |
| | $t_{v(SOMI-SPCL)S}$ | Valid time, SPInCLK low after SPInSOMI data valid (clock polarity = 1) | 0 | | |
| 6 ⁽⁶⁾ | $t_{su(SIMO-SPCH)S}$ | Setup time, SPInSIMO before SPInCLK high (clock polarity = 0) | 5 | | |
| | $t_{su(SIMO-SPCL)S}$ | Setup time, SPInSIMO before SPInCLK low (clock polarity = 1) | 5 | | |
| 7 ⁽⁶⁾ | $t_{v(SPCH-SIMO)S}$ | Valid time, SPInSIMO data valid after SPInCLK high (clock polarity = 0) | 6 | | |
| | $t_{v(SPCL-SIMO)S}$ | Valid time, SPInSIMO data valid after SPInCLK low (clock polarity = 1) | 6 | | |
| 8 | $t_{d(SPCH-SENAn)S}$ | Delay time, SPIENAn high after last SPICLK high (clock polarity = 0) | $1.5t_{c(VCLK)}$ | $2.5t_{c(VCLK)}+tr(ENAn)+20$ | ns |
| | $t_{d(SPCL-SENAn)S}$ | Delay time, SPIENAn high after last SPICLK low (clock polarity = 1) | $1.5t_{c(VCLK)}$ | $2.5t_{c(VCLK)}+t_{r(ENAn)}+20$ | |
| 9 | $t_{d(SCSL-SENAL)S}$ | Delay time, SPIENAn low after SPICSn low (if new data has been written to the SPI buffer) | $t_{r(ENAn)}$ | $t_{c(VCLK)}+t_{r(ENAn)}+18$ | ns |
| 10 | $t_{d(SCSL-SOMI)S}$ | Delay time, SOMI valid after SPICSn low (if new data has been written to the SPI buffer) | $t_{c(VCLK)}$ | $2t_{c(VCLK)}+t_{r(SOMI)}+17$ | ns |

(1) The MASTER bit (SPInCTRL2.3) is cleared and the CLOCK PHASE bit (SPInCTRL2.0) is set.

(2) When the SPI is in Slave mode, the following must be true: $t_{c(SPC)S} > 2t_{c(VCLK)}$ and $t_{c(SPC)S} \geq 90$ ns.

(3) For rise and fall timings, see [Table 5-13](#).

(4) $t_{c(VCLK)}$ = interface clock cycle time = $1/f(VCLK)$.

(5) When the SPI is in Slave mode, the following must be true: $t_{w(SPCL)S} > t_{c(VCLK)}$, $t_{w(SPCL)S} \geq 30$, $t_{w(SPCH)S} > t_{c(VCLK)}$ ns and $t_{w(SPCH)S} \geq 30$ ns.

(6) The active edge of the SPInCLK signal referenced is controlled by the CLOCK POLARITY bit (SPIFMTx.17).

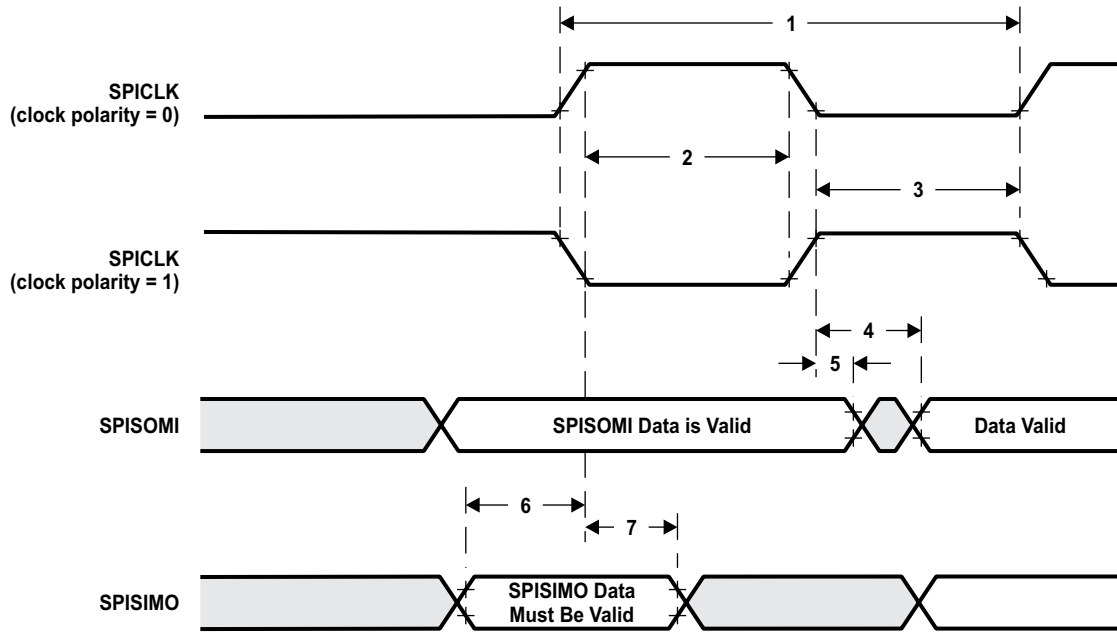


Figure 5-17. SPI Slave Mode External Timing (CLOCK PHASE = 1)

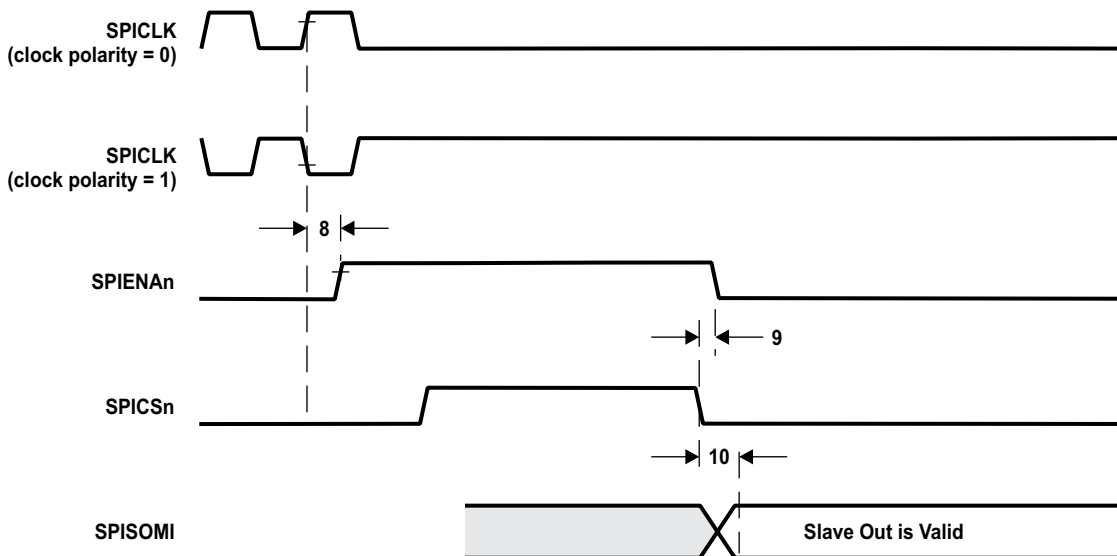


Figure 5-18. SPI Slave Mode Enable Timing (CLOCK PHASE = 1)

5.5 CAN Controller (DCANn) Mode Timings

Table 5-20. Dynamic Characteristics for the CANnSTX and CANnSRX Pins

| PARAMETER | | MIN | MAX | UNIT |
|------------------|---|-----|-----|------|
| $t_{d(CANnSTX)}$ | Delay time, transmit shift register to CANnSTX pin ⁽¹⁾ | | 15 | ns |
| $t_{d(CANnSRX)}$ | Delay time, CANnSRX pin to receive shift register | | 6 | ns |

(1) These values do not include rise/fall times of the output buffer.

5.6 High-End Timer (HET) Timings

Table 5-21. Dynamic Characteristics for the HET Pins

| PARAMETER | | MIN | MAX | UNIT |
|----------------|--|-----------------|-----|------|
| $t_{opw}(HET)$ | Output pulse width, this is the minimum pulse width that can be generated ⁽¹⁾ | $1/f_{(VCLK2)}$ | | ns |
| $t_{ipw}(HET)$ | Input pulse width, this is the minimum pulse width that can be captured ⁽²⁾ | $1/f_{(VCLK2)}$ | | ns |

(1) $t_{opw}(HET)_{min} = HRP_{(min)} = hr_{(min)} / VCLK2$.

(2) $t_{ipw}(HET) = LRP_{(min)} = hr_{(min)} * lr_{(min)} / VCLK2$.

5.7 Multi-Buffered A-to-D Converter (MibADC)

The multi-buffered A-to-D converter (MibADC) has a separate power bus for its analog circuitry that enhances the A-to-D performance by preventing digital switching noise on the logic circuitry which could be present on VSS and VCC from coupling into the A-to-D analog stage. All A-to-D specifications are given with respect to ADREFLO unless otherwise noted.

| | |
|------------------------|---|
| Resolution | 10 bits (1024 values) |
| Monotonic | Assured |
| Output conversion code | 00h to 3FFh [00 for $V_{AI} \leq AD_{REFLO}$; 3FF for $V_{AI} \geq AD_{REFHI}$] |

Table 5-22. MibADC Recommended Operating Conditions⁽¹⁾

| | | MIN | MAX | UNIT |
|---------------------|---|---------------------|---------------------|------|
| AD _{REFHI} | A-to-D high -voltage reference source | 3.0 | V _{CCAD} | V |
| AD _{REFLO} | A-to-D low-voltage reference source | V _{SSAD} | 0.3 | V |
| V _{AI} | Analog input voltage | AD _{REFLO} | AD _{REFHI} | V |
| I _{AIC} | Analog input clamp current ⁽²⁾ (V _{AI} < V _{SSAD} - 0.3 or V _{AI} > V _{CCAD} + 0.3) | - 2 | 2 | mA |

(1) For V_{CCAD} and V_{SSAD} recommended operating conditions, see .

(2) Input currents into any ADC input channel outside the specified limits could affect conversion results of other channels.

Table 5-23. MibADC Operating Characteristics Over Full Range of Recommended Operating Conditions⁽¹⁾

| PARAMETER | DESCRIPTION/CONDITIONS | MIN | NOM | MAX | UNIT |
|----------------------|--|---|------|------|------|
| R _{mux} | Analog input mux on-resistance | See Figure 5-19 | 125 | 1.5K | Ω |
| R _{samp} | ADC sample switch on-resistance | See Figure 5-19 | 150 | 1.5K | Ω |
| C _{mux} | Input mux capacitance | See Figure 5-19 | | 16 | pF |
| C _{samp} | ADC sample capacitance | See Figure 5-19 | | 8 | pF |
| I _{AIL} | Analog input leakage current | Input leakage per ADC input pin | -200 | 200 | nA |
| I _{ADREFHI} | AD _{REFHI} input current | AD _{REFHI} = 3.6 V, AD _{REFLO} = V _{SSAD} | | 5 | mA |
| CR | Conversion range over which specified accuracy is maintained | AD _{REFHI} - AD _{REFLO} | 3 | 3.6 | V |
| E _{DNL} | Differential non-linearity error | Difference between the actual step width and the ideal value (see Figure 5-20). | | ± 2 | LSB |
| E _{INL} | Integral non-linearity error | Maximum deviation from the best straight line through the MibADC. MibADC transfer characteristics, excluding the quantization error (see Figure 5-21). | | ± 2 | LSB |
| E _{TOT} | Total error/Absolute accuracy | Maximum value of the difference between an analog value and the ideal midstep value (see Figure 5-22). | | ± 2 | LSB |

(1) $1 - \text{LSB} = (AD_{REFHI} - AD_{REFLO}) / 2^{10}$ for the MibADC.

5.7.1 MibADC Input Model

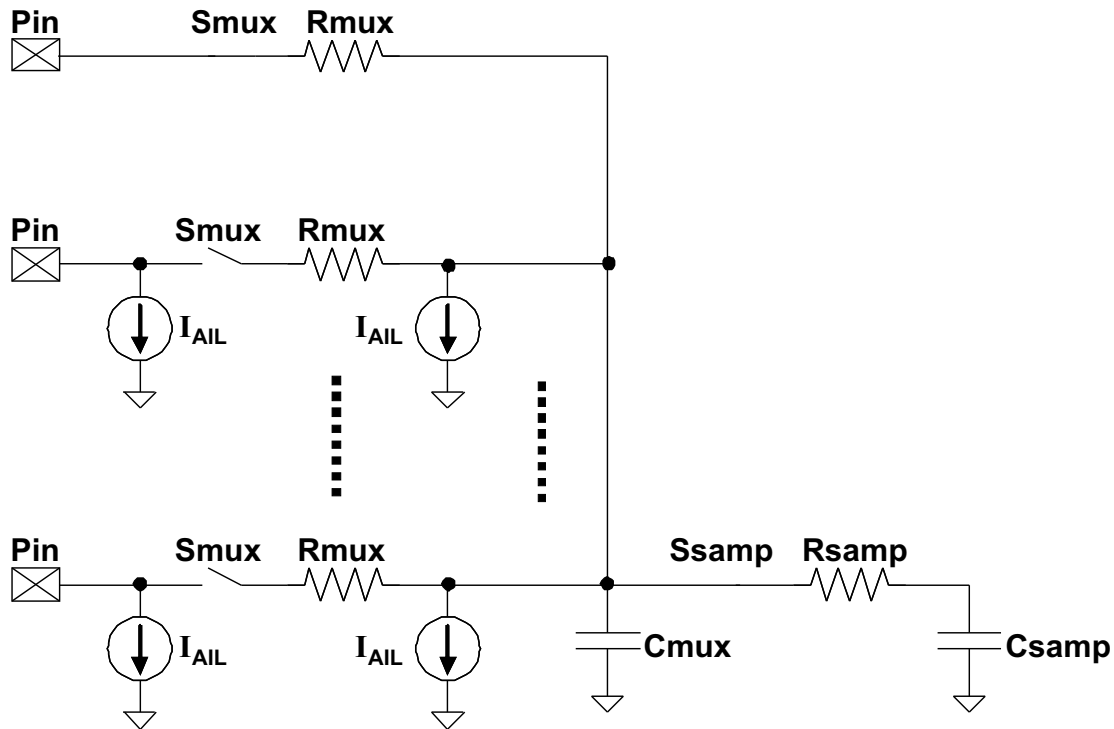


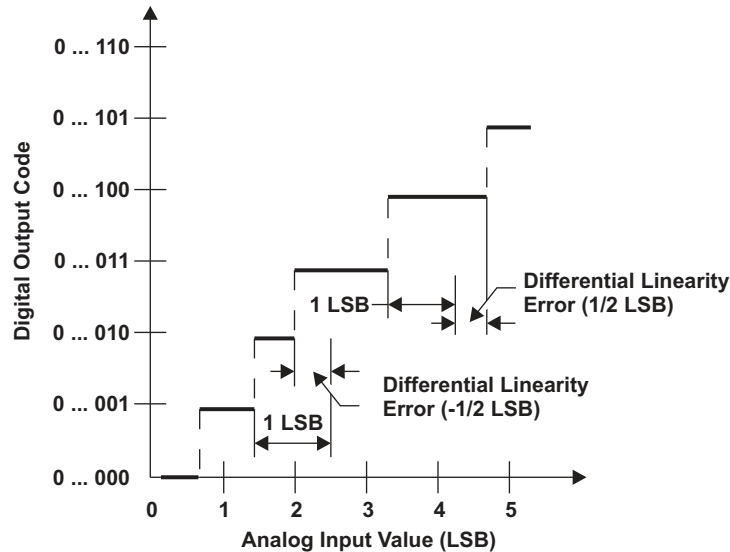
Figure 5-19. MibADC Input Equivalent Circuit

Table 5-24. Multi-Buffer ADC Timing Requirements

| PARAMETER | | MIN | NOM | MAX | UNIT |
|--------------------|---|------|-----|-----|---------------|
| $t_{c(ADCLK)}$ | Cycle time, MibADC clock | 0.05 | | | μs |
| $t_{d(SH)}$ | Delay time, sample and hold time | 1 | | | μs |
| $t_{d(C)}$ | Delay time, conversion time | 0.55 | | | μs |
| $t_{d(SHC)}^{(1)}$ | Delay time, total sample/hold and conversion time | 1.55 | | | μs |

(1) This is the minimum sample/hold and conversion time that can be achieved. These parameters are dependent on many factors.

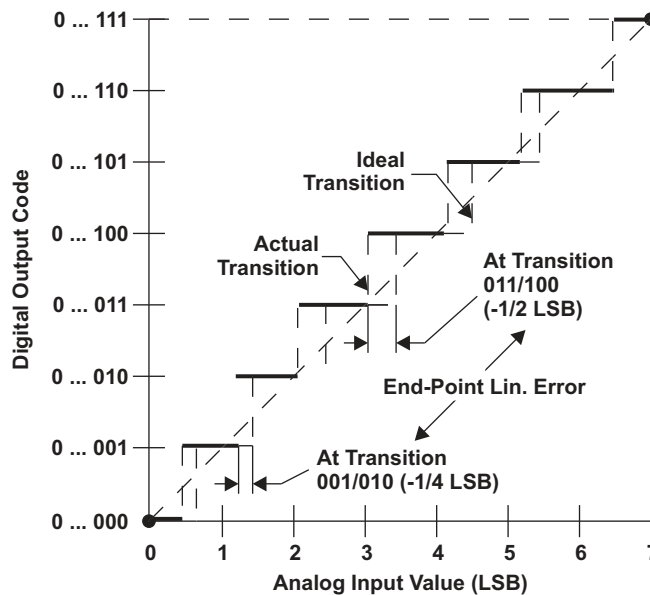
The differential non-linearity error shown in Figure 5-20 (sometimes referred to as differential linearity) is the difference between an actual step width and the ideal value of 1 LSB.



A. $1 \text{ LSB} = (AD_{\text{REFHI}} - AD_{\text{REFLO}})/2^{10}$

Figure 5-20. Differential Non-linearity (DNL)

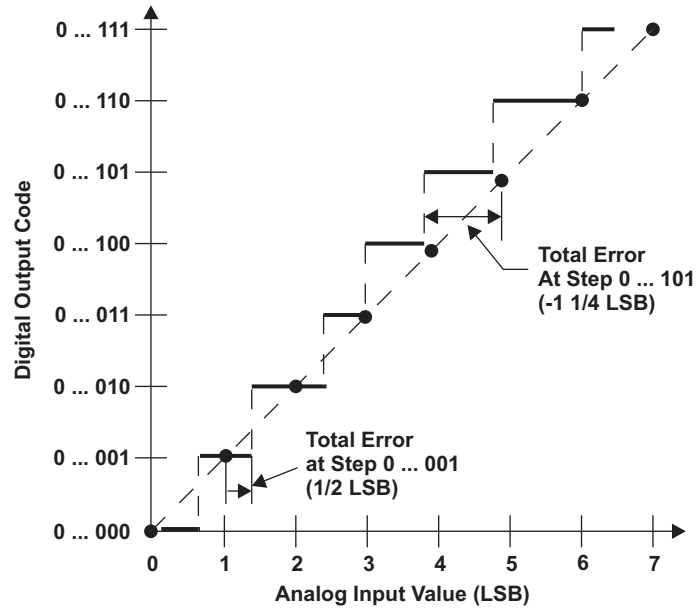
The integral non-linearity error shown in Figure 5-21 (sometimes referred to as linearity error) is the deviation of the values on the actual transfer function from a straight line.



A. $1 \text{ LSB} = (AD_{\text{REFHI}} - AD_{\text{REFLO}})/2^{10}$

Figure 5-21. Integral Non-linearity (INL) Error

The absolute accuracy or total error of an MibADC as shown in Figure 5-22 is the maximum value of the difference between an analog value and the ideal midstep value.



A. $1 \text{ LSB} = (AD_{\text{REFHI}} - AD_{\text{REFLO}}) / 2^{10}$

Figure 5-22. Absolute Accuracy (Total) Error

6 Revision History

This data sheet revision history highlights the technical changes made to the device or the datasheet.

| Date | Additions, Deletions, And Modifications | Revision |
|---------------|---|----------|
| August 2011 | Added descriptions for the ENZ pin. | A |
| December 2011 | Corrected number of GIO pins available from 8 to 4 in Device Characteristics table | B |
| | Updated LBIST section to include support for STCCLK = HCLK | |
| | Added additional detail about MBIST cycle counts | |
| | Operating Conditions and electrical specs updated with characterized values | |
| | Added upper limit to Vreg ramp specification | |
| | Removed support for low power modes | |
| | Added TEST Pin Glitch Filter Timing specification | |
| | Added note about back to back write/erase cycling in the EEPROM emulation bank. | |
| January 2012 | Updated programming times in the Flash Timings table. | C |
| | Corrected programming word size from 16-bit to 32-bit in the Flash Timings table to accurately reflect the default FSM configuration. | |
| | Added assumed use case and qualification standards for EEPROM emulation use in an application in the Flash Timings table. | |

7 Mechanical Data

7.1 Thermal Data

[Table 7-1](#) shows the thermal resistance characteristics for the PQFP - PZ mechanical packages.




**Table 7-1. Thermal Resistance Characteristics
(S-PQFP Package) [PZ]**

| PARAMETER | °C/W |
|-----------------|------|
| $R_{\theta JA}$ | 48 |
| $R_{\theta JC}$ | 5 |

7.2 Packaging Information

The following packaging information reflects the most current released data available for the designated device(s). This data is subject to change without notice and without revision of this document.

PACKAGING INFORMATION

| Orderable Device | Status (1) | Package Type | Package Drawing | Pins | Package Qty | Eco Plan (2) | Lead finish/ Ball material (6) | MSL Peak Temp (3) | Op Temp (°C) | Device Marking (4/5) | Samples |
|------------------|---------------|--------------|-----------------|------|-------------|-----------------|--------------------------------------|----------------------|--------------|-------------------------|---|
| S4MF03107SPZQQ1 | ACTIVE | LQFP | PZ | 100 | 90 | RoHS & Green | NIPDAU | Level-3-260C-168 HR | -40 to 125 | TMS470 MF03107SPZQQ1 |  |
| S4MF03107SPZQQ1R | ACTIVE | LQFP | PZ | 100 | 1000 | RoHS & Green | NIPDAU | Level-3-260C-168 HR | -40 to 125 | TMS470 MF03107SPZQQ1 |  |
| S4MF04207SPZQQ1 | ACTIVE | LQFP | PZ | 100 | 90 | RoHS & Green | NIPDAU | Level-3-260C-168 HR | -40 to 125 | TMS470 MF04207SPZQQ1 |  |

(1) The marketing status values are defined as follows:

ACTIVE: Product device recommended for new designs.

LIFEBUY: TI has announced that the device will be discontinued, and a lifetime-buy period is in effect.

NRND: Not recommended for new designs. Device is in production to support existing customers, but TI does not recommend using this part in a new design.

PREVIEW: Device has been announced but is not in production. Samples may or may not be available.

OBSOLETE: TI has discontinued the production of the device.

(2) **RoHS:** TI defines "RoHS" to mean semiconductor products that are compliant with the current EU RoHS requirements for all 10 RoHS substances, including the requirement that RoHS substance do not exceed 0.1% by weight in homogeneous materials. Where designed to be soldered at high temperatures, "RoHS" products are suitable for use in specified lead-free processes. TI may reference these types of products as "Pb-Free".

RoHS Exempt: TI defines "RoHS Exempt" to mean products that contain lead but are compliant with EU RoHS pursuant to a specific EU RoHS exemption.

Green: TI defines "Green" to mean the content of Chlorine (Cl) and Bromine (Br) based flame retardants meet JS709B low halogen requirements of <=1000ppm threshold. Antimony trioxide based flame retardants must also meet the <=1000ppm threshold requirement.

(3) MSL, Peak Temp. - The Moisture Sensitivity Level rating according to the JEDEC industry standard classifications, and peak solder temperature.

(4) There may be additional marking, which relates to the logo, the lot trace code information, or the environmental category on the device.

(5) Multiple Device Markings will be inside parentheses. Only one Device Marking contained in parentheses and separated by a "~" will appear on a device. If a line is indented then it is a continuation of the previous line and the two combined represent the entire Device Marking for that device.

(6) Lead finish/Ball material - Orderable Devices may have multiple material finish options. Finish options are separated by a vertical ruled line. Lead finish/Ball material values may wrap to two lines if the finish value exceeds the maximum column width.

Important Information and Disclaimer:The information provided on this page represents TI's knowledge and belief as of the date that it is provided. TI bases its knowledge and belief on information provided by third parties, and makes no representation or warranty as to the accuracy of such information. Efforts are underway to better integrate information from third parties. TI has taken and continues to take reasonable steps to provide representative and accurate information but may not have conducted destructive testing or chemical analysis on incoming materials and chemicals. TI and TI suppliers consider certain information to be proprietary, and thus CAS numbers and other limited information may not be available for release.

In no event shall TI's liability arising out of such information exceed the total purchase price of the TI part(s) at issue in this document sold by TI to Customer on an annual basis.

TRAY

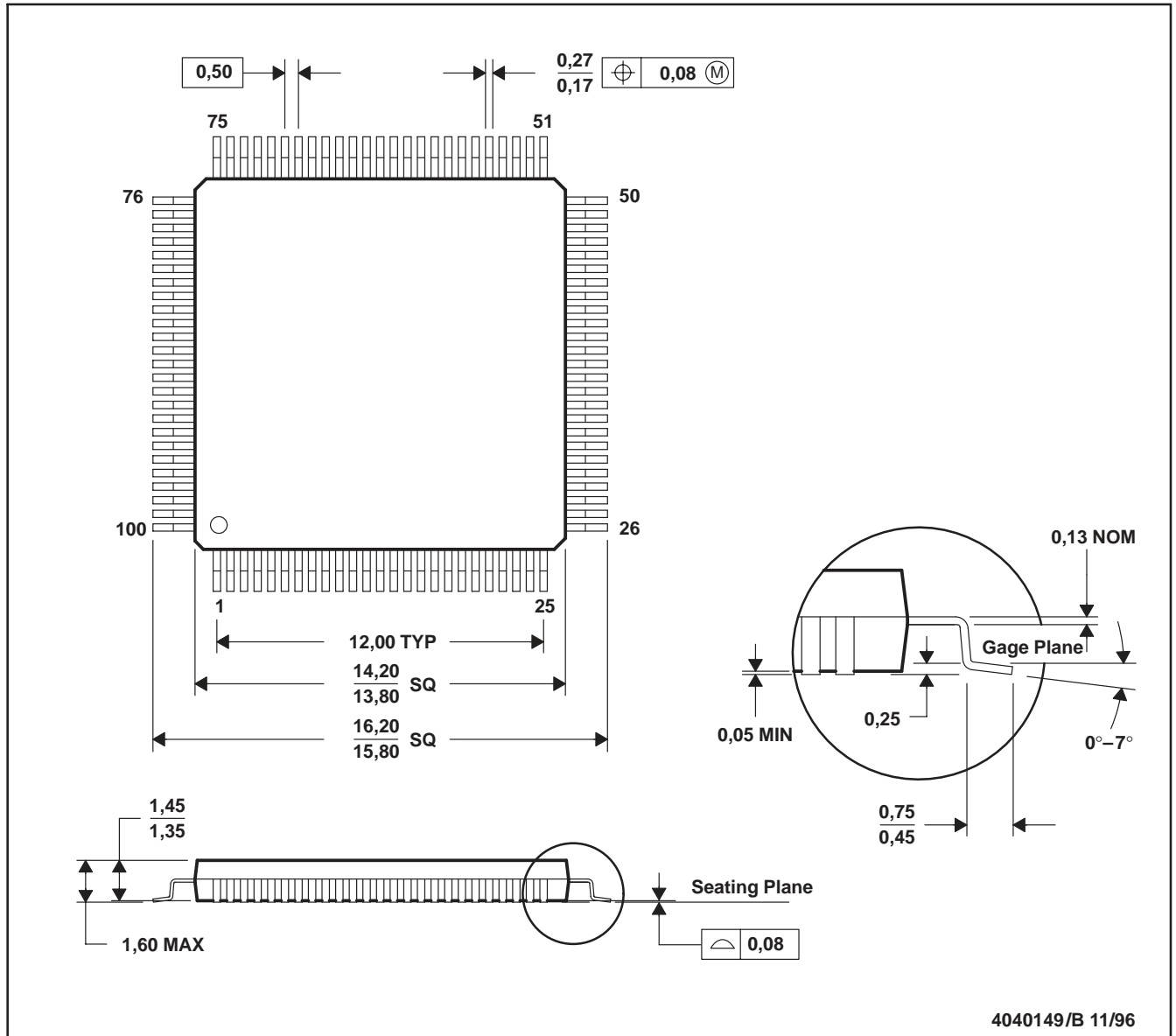

Chamfer on Tray corner indicates Pin 1 orientation of packed units.

*All dimensions are nominal

| Device | Package Name | Package Type | Pins | SPQ | Unit array matrix | Max temperature (°C) | L (mm) | W (mm) | K0 (µm) | P1 (mm) | CL (mm) | CW (mm) |
|-----------------|--------------|--------------|------|-----|-------------------|----------------------|--------|--------|---------|---------|---------|---------|
| S4MF03107SPZQQ1 | PZ | LQFP | 100 | 90 | 6 x 15 | 150 | 315 | 135.9 | 7620 | 20.3 | 15.4 | 15.4 |
| S4MF04207SPZQQ1 | PZ | LQFP | 100 | 90 | 6 x 15 | 150 | 315 | 135.9 | 7620 | 20.3 | 15.4 | 15.4 |

PZ (S-PQFP-G100)

PLASTIC QUAD FLATPACK



- NOTES: A. All linear dimensions are in millimeters.
 B. This drawing is subject to change without notice.
 C. Falls within JEDEC MS-026

IMPORTANT NOTICE AND DISCLAIMER

TI PROVIDES TECHNICAL AND RELIABILITY DATA (INCLUDING DATA SHEETS), DESIGN RESOURCES (INCLUDING REFERENCE DESIGNS), APPLICATION OR OTHER DESIGN ADVICE, WEB TOOLS, SAFETY INFORMATION, AND OTHER RESOURCES "AS IS" AND WITH ALL FAULTS, AND DISCLAIMS ALL WARRANTIES, EXPRESS AND IMPLIED, INCLUDING WITHOUT LIMITATION ANY IMPLIED WARRANTIES OF MERCHANTABILITY, FITNESS FOR A PARTICULAR PURPOSE OR NON-INFRINGEMENT OF THIRD PARTY INTELLECTUAL PROPERTY RIGHTS.

These resources are intended for skilled developers designing with TI products. You are solely responsible for (1) selecting the appropriate TI products for your application, (2) designing, validating and testing your application, and (3) ensuring your application meets applicable standards, and any other safety, security, regulatory or other requirements.

These resources are subject to change without notice. TI grants you permission to use these resources only for development of an application that uses the TI products described in the resource. Other reproduction and display of these resources is prohibited. No license is granted to any other TI intellectual property right or to any third party intellectual property right. TI disclaims responsibility for, and you will fully indemnify TI and its representatives against, any claims, damages, costs, losses, and liabilities arising out of your use of these resources.

TI's products are provided subject to [TI's Terms of Sale](#) or other applicable terms available either on ti.com or provided in conjunction with such TI products. TI's provision of these resources does not expand or otherwise alter TI's applicable warranties or warranty disclaimers for TI products.

TI objects to and rejects any additional or different terms you may have proposed.

Mailing Address: Texas Instruments, Post Office Box 655303, Dallas, Texas 75265
Copyright © 2022, Texas Instruments Incorporated