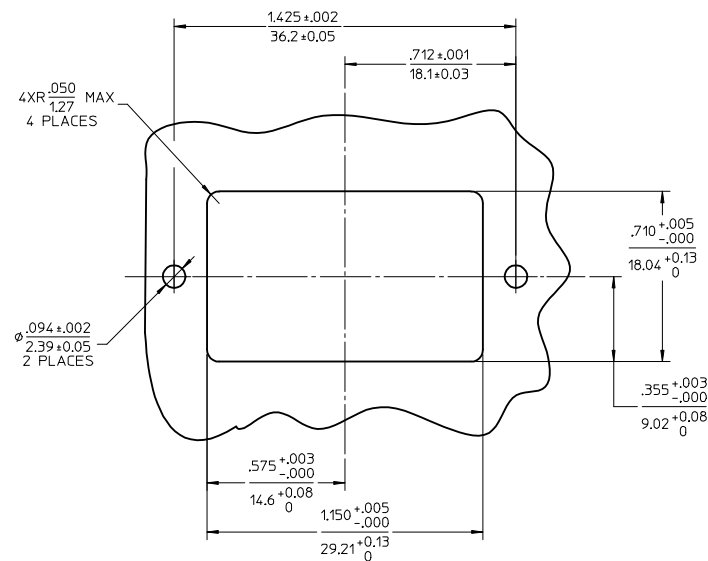
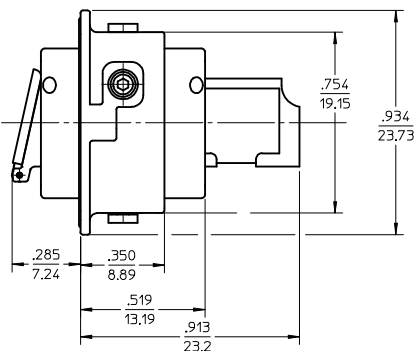
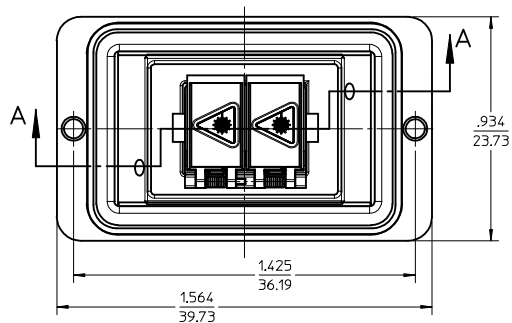
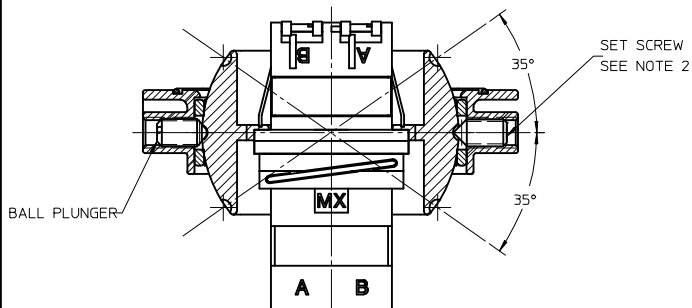


ISOMETRIC VIEWS
SCALE: 1.5:1



RECOMMENDED MOUNTING PATTERN



SECTION A-A
SCALE 2.5:1

- NOTES:
1. ALL DIMENSIONS ARE FOR REFERENCE ONLY.
 2. USE SET SCREW TO FIX LC ADAPTER IN THE REQUIRED POSITION: -35°, 0°, +35°.
 3. SWIVEL ADAPTER IS ALSO AVAILABLE AS SC, MU, AND MPO VERSIONS.

ENTER DESCRIPTION EC NO: MF2006-0389 DRWNG: IBLIN CHKD: 2005/12/14 APPR: IGJMIN 2005/12/14 2005/12/14	QUALITY SYMBOLS 	GENERAL TOLERANCES (UNLESS SPECIFIED)		DIMENSION STYLE INCH ONLY	SCALE 1:1	DESIGN UNITS INCH	THIRD ANGLE PROJECTION
		4 PLACES ± --- ± --- 3 PLACES ± --- ± --- 2 PLACES ± --- ± --- 1 PLACE ± --- ± ---	DRAWN BY PGIBLIN DATE 2005/12/02	TITLE LC EMI SWIVEL ADAPTER BALL PLUNGER/SET SCREW VERSION		MATERIAL NO. 1061159500	DOCUMENT NO. SD-106115-9500
REVISION A		APPROVED BY DATE		MOLEX INCORPORATED		THIS DRAWING CONTAINS INFORMATION THAT IS PROPRIETARY TO MOLEX INCORPORATED AND SHOULD NOT BE USED WITHOUT WRITTEN PERMISSION	
DRAFT WHERE APPLICABLE MUST REMAIN WITHIN DIMENSIONS							