

## Series 84

*Attractive. Versatile and functional.*

<https://eao.com/84>



# 84 Information about the Series

## Key advantages

- Attractive design and reliable operation
- IP67 front protection
- Powerful, consistent illumination with innovative technologies
- Animated illumination options for a wide variety of potential applications
- Available with soldered, plug, PCB and flat ribbon cable terminals
- Freely configurable HMIs with IO-Link interface (Industry 4.0)

## Typical application areas

- Machinery
- Measurement and control engineering
- Lifting and handling equipment
- Process automation
- Special vehicles
- Ticketing machines
- Medical equipment
- Food industry

## Functions

- Pushbutton
- Illuminated pushbutton
- Indicator
- Capacitive buttons with IO-Link configurability

## Design

- Flush
- Raised

## IP front protection

- IP40
- IP65
- IP67
- IP69K

## Ratings

- 42 VAC (100 mA)
- 240 VAC (1.5 A)
- 8.4 ... 32V (200 mA) electronic switching element

## Mounting cut-outs

- Ø 22.3 mm
- Ø 22.5 mm
- Ø 30.5 mm

## Terminal

- Soldering/plug-in terminal
- PCB
- Cable
- M12

## Lens Material

- Aluminium
- Plastic
- Stainless steel

## Markings

- Engraving
- Laser marking
- Hot stamping
- Pad printing
- Screen print
- Milling
- Illuminated Symbols

## Approvals

- CB (IEC 60947)
- UL
- TSI PRM
- CSA
- EHEDG
- FDH Compliant

## Conformities

- CE
- 2006/42/EC (MD)
- 2011/65/EC (RoHS)
- 1300/2014 (PRM)
- 2014/30/EU (EMC)



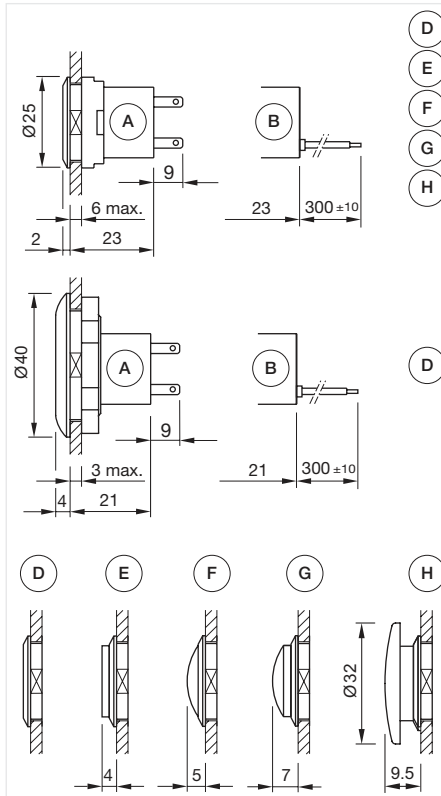
<b>Flush design</b>		
Pushbutton standard	4	01
Pushbutton PCB standard	6	02
Pushbutton ring illumination standard	8	03
Pushbutton ring illumination PCB standard	9	04
Pushbutton ring illumination PCB or Halo compact	10	09
Illuminated pushbutton standard	11	14
Illuminated pushbutton PCB standard	13	17
Indicator standard	15	18
Indicator PCB standard	16	19
Indicator ring illumination standard	17	22
Indicator ring illumination PCB standard	18	31
Indicator ring illumination PCB or Halo compact	19	41
IO-Link Touch Standard	20	45
IO-Link Touch Edelstahl	22	51
IO-Link Touch Hygiene	24	56
<b>Raised design</b>		
Stop switch	26	57
Illuminated emergency stop switch	29	61
Emergency stop switch, Bi-Colour	32	70
<b>Components</b>	34	71
<b>Accessories</b>	50	82
<b>Technical data</b>	59	84
<b>Marking</b>	64	92
<b>Application guidelines</b>	65	96

# 84 Flush design

## Pushbutton standard, IP40, IP67

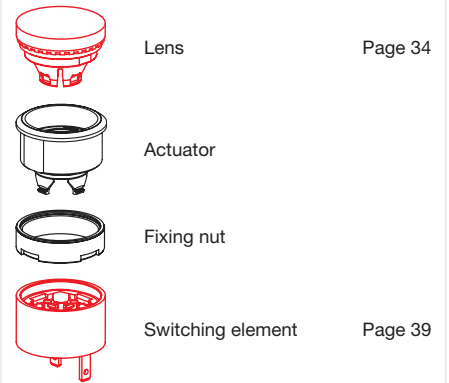


Product can differ from the current configuration.



Dimensions [mm]  
 A = Plug-in terminal 2.8 mm x 0.5 mm  
 B = Flat ribbon cable  
 D = Lens level with bezel  
 E = Lens raised above bezel  
 F = Lens konvexe level with bezel  
 G = Lens konvexe raised above bezel  
 H = Mushroom-head cap

### Equipment consisting of (schematic overview)

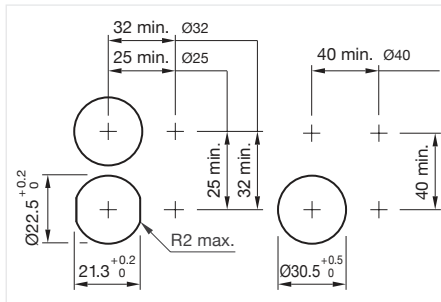


Each Part Number listed below includes all the black components shown in the 3D-drawing.

To obtain a complete unit, please select the red components from the pages shown.

### General information

- Non-illuminated lens and bezel
- The colour of anodised aluminium parts can vary due to technical production reasons



Mounting cut-outs [mm]



### Actuator

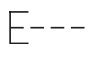
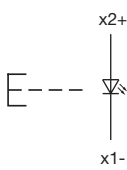
Switching action	Front bezel colour	Front bezel material	IP front protection	Dimensions	Part No.	Wiring diagram
Momentary	Black	Plastic	IP67	Ø 25 mm	84-1101.0	72
	Black	Aluminium	IP67	Ø 25 mm	84-1201.0	72
	Red	Aluminium	IP67	Ø 25 mm	84-1201.2	72
	Gold	Aluminium	IP67	Ø 25 mm	84-1201.4	72
	Olive	Aluminium	IP67	Ø 25 mm	84-1201.5	72
	Blue	Aluminium	IP67	Ø 25 mm	84-1201.6	72
	Nature	Aluminium	IP67	Ø 25 mm	84-1201.7	72
	Black	Plastic	IP40	Ø 25 mm	84-2101.0	294



**Actuator**

Switching action	Front bezel colour	Front bezel material	IP front protection	Dimensions	Part No.	Wiring diagram
Momentary	Nature	Aluminium	IP67	Ø 40 mm	84-1221.7	294

## Wiring diagrams

	
Wiring diagram 72	Wiring diagram 294

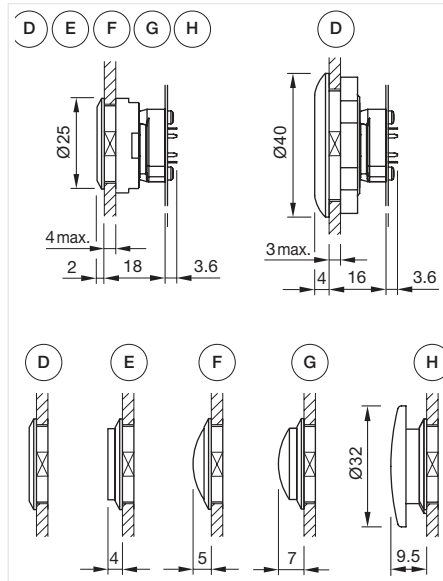
- 01
- 02
- 03
- 04
- 09
- 14
- 17
- 18
- 19
- 22
- 31
- 41
- 45
- 51
- 56
- 57
- 61
- 70
- 71
- 82
- 84**
- 92
- 96

# 84 Flush design

## Pushbutton PCB standard, IP40, IP67

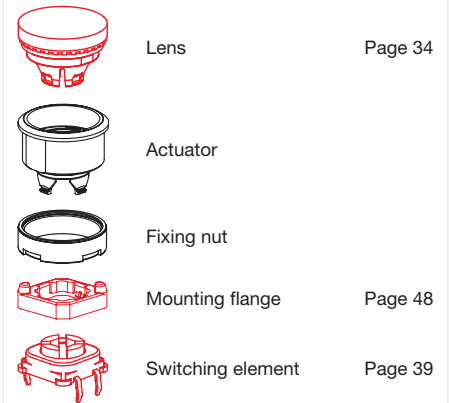


Product can differ from the current configuration.



Dimensions [mm]  
 D = Lens level with bezel  
 E = Lens raised above bezel  
 F = Lens konvexe level with bezel  
 G = Lens konvexe raised above bezel  
 H = Mushroom-head cap

### Equipment consisting of (schematic overview)

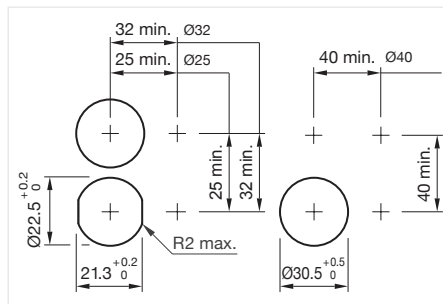


Each Part Number listed below includes all the black components shown in the 3D-drawing.

To obtain a complete unit, please select the red components from the pages shown.

### General information

- Non-illuminated lens and bezel
- The colour of anodised aluminium parts can vary due to technical production reasons



Mounting cut-outs [mm]



Actuator

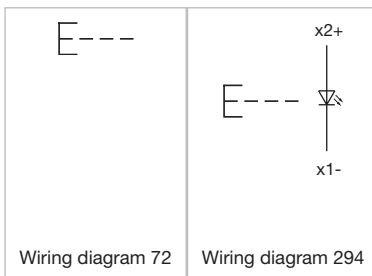
Switching action	Front bezel colour	Front bezel material	IP front protection	Dimensions	Part No.	Wiring diagram
Momentary	Black	Plastic	IP67	Ø 25 mm	84-1101.0	72
	Black	Aluminium	IP67	Ø 25 mm	84-1201.0	72
	Red	Aluminium	IP67	Ø 25 mm	84-1201.2	72
	Gold	Aluminium	IP67	Ø 25 mm	84-1201.4	72
	Olive	Aluminium	IP67	Ø 25 mm	84-1201.5	72
	Blue	Aluminium	IP67	Ø 25 mm	84-1201.6	72
	Nature	Aluminium	IP67	Ø 25 mm	84-1201.7	72
	Black	Plastic	IP40	Ø 25 mm	84-2101.0	294



Actuator

Switching action	Front bezel colour	Front bezel material	IP front protection	Dimensions	Part No.	Wiring diagram
Momentary	Nature	Aluminium	IP67	Ø 40 mm	84-1221.7	294

## Wiring diagrams



### Compact, attractive and reliable. *Series 84 E-Stop switches.*

Ideal for challenging applications – thanks to the attractive design and the very low back panel depth.

- Robust mono-block
- Foolproof and fail-safe design
- Very low back panel depth
- Attractive, modern design and protection IP65/67
- Reliable and long service life
- Clearly visible illumination

[www.eao.com/84-e-stop](http://www.eao.com/84-e-stop)

**eao** ■

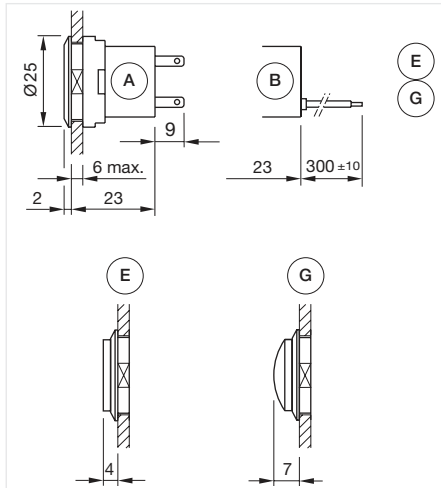
Your Expert Partner for Human Machine Interfaces

# 84 Flush design

## Pushbutton ring illumination standard, IP67

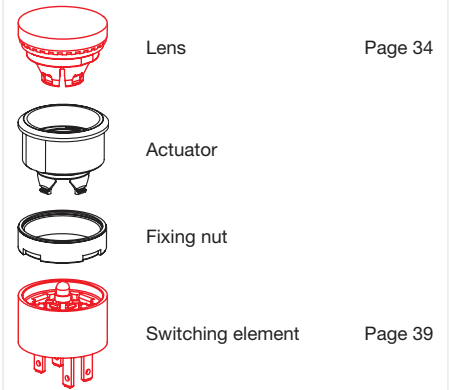


Product can differ from the current configuration.



Dimensions [mm]  
 A = Plug-in terminal 2.8 mm x 0.5 mm  
 B = Flat ribbon cable  
 E = Lens raised above bezel  
 G = Lens convexe raised above bezel

### Equipment consisting of (schematic overview)

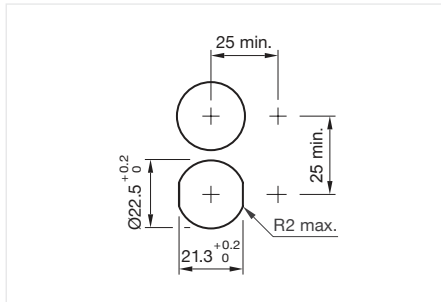


Each Part Number listed below includes all the black components shown in the 3D-drawing.

To obtain a complete unit, please select the red components from the pages shown.

### General information

- Front bezel illuminated
- Accessories for halo illumination: Essential lenses Part No. 84-7202.x00A and 84-7205.x00A



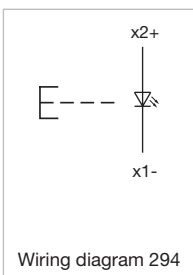
Mounting cut-outs [mm]



Actuator, Front dimension Ø 25 mm

Switching action	Front bezel colour	Front bezel material	IP front protection	Front bezel optics	Part No.	Wiring diagram
Momentary	White	Plastic	IP67	translucent	84-1091.7	294







## Wiring diagrams





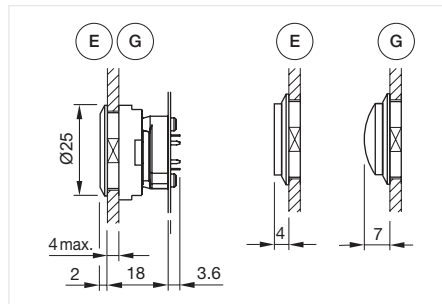
## Pushbutton ring illumination PCB standard, IP67

### Equipment consisting of (schematic overview)

	Lens	Page 34
	Actuator	
	Fixing nut	
	Mounting flange	Page 48
	Single-LED	Page 38
	Switching element	Page 39

Each Part Number listed below includes all the black components shown in the 3D-drawing.

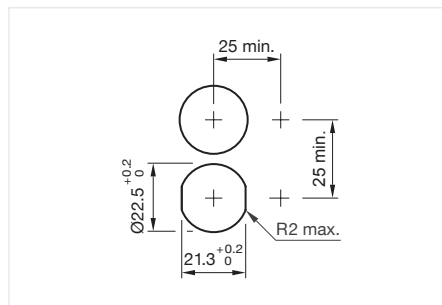
To obtain a complete unit, please select the red components from the pages shown.



Dimensions [mm]  
 E = Lens raised above bezel  
 G = Lens convex raised above bezel



Product can differ from the current configuration.



Mounting cut-outs [mm]

### General information

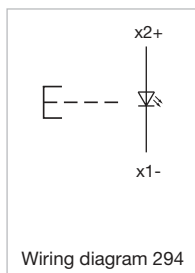
- Front bezel illuminated
- Accessories for halo illumination: Essential lenses Part No. 84-7202.x00A and 84-7205.x00A



Actuator, Front dimension  $\varnothing$  25 mm

Switching action	Front bezel colour	Front bezel material	IP front protection	Front bezel optics	Part No.	Wiring diagram
Momentary	White	Plastic	IP67	translucent	84-1091.7	294

### Wiring diagrams

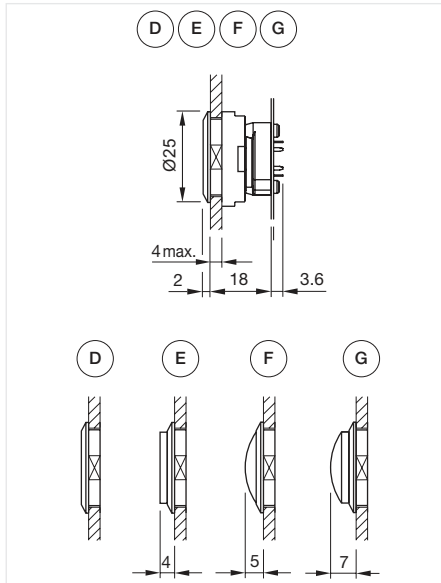


# 84 Flush design

## Pushbutton ring illumination PCB or Halo compact, IP67



Product can differ from the current configuration.



Dimensions [mm]  
 D = Lens level with bezel  
 E = Lens raised above bezel  
 F = Lens konvexe level with bezel  
 G = Lens konvexe raised above bezel

### Equipment consisting of (schematic overview)

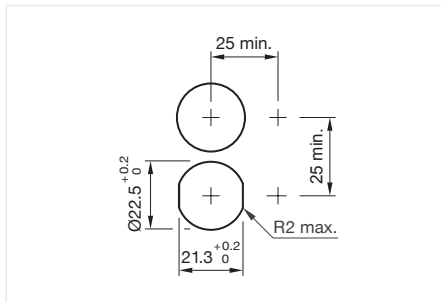
	Lens	Page 34
	Actuator	
	Fixing nut	
	Mounting flange	Page 48
	Single-LED	Page 38
	Switching element	Page 39

Each Part Number listed below includes all the black components shown in the 3D-drawing.

To obtain a complete unit, please select the red components from the pages shown.

### General information

- The mini TOP LEDs are not part of delivery. Recommendation: Osram Hyper Mini TOP LED



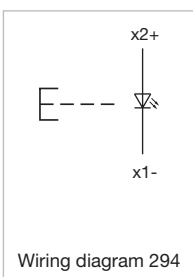
Mounting cut-outs [mm]



Actuator, Front dimension Ø 25 mm

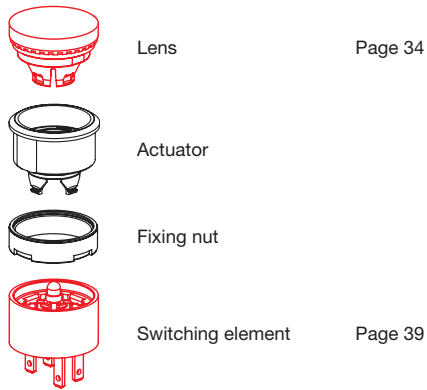
Switching action	Front bezel colour	Front bezel material	IP front protection	Front bezel optics	Part No.	Wiring diagram
Momentary	Colourless	Plastic	IP67	transparent	84-1081.7	294

## Wiring diagrams



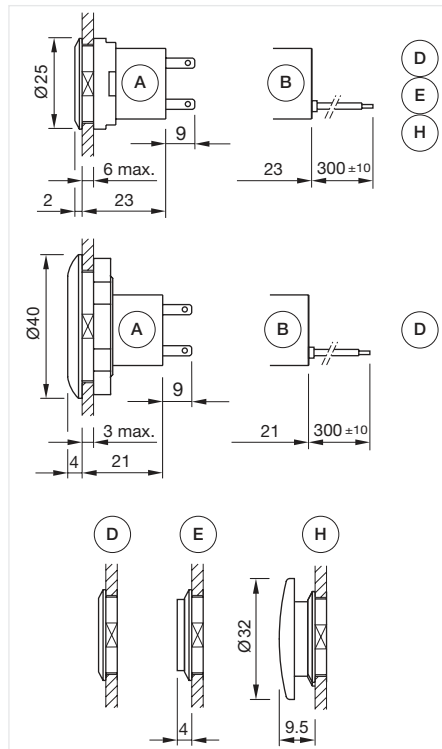
## Illuminated pushbutton standard, IP40, IP67

### Equipment consisting of (schematic overview)

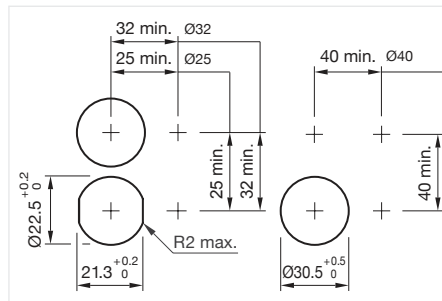


Each Part Number listed below includes all the black components shown in the 3D-drawing.

To obtain a complete unit, please select the red components from the pages shown.



Dimensions [mm]  
 A = Plug-in terminal 2.8 mm x 0.5 mm  
 B = Flat ribbon cable  
 D = Lens level with bezel  
 E = Lens raised above bezel  
 H = Mushroom-head cap



Mounting cut-outs [mm]



Product can differ from the current configuration.

### General information

- Illuminated lens, non-illuminated bezel
- The colour of anodised aluminium parts can vary due to technical production reasons



Actuator

Switching action	Front bezel colour	Front bezel material	IP front protection	Dimensions	Part No.	Wiring diagram
Momentary	Black	Plastic	IP67	$\varnothing 25$ mm	84-1101.0	72
	Black	Aluminium	IP67	$\varnothing 25$ mm	84-1201.0	72
	Red	Aluminium	IP67	$\varnothing 25$ mm	84-1201.2	72
	Gold	Aluminium	IP67	$\varnothing 25$ mm	84-1201.4	72
	Olive	Aluminium	IP67	$\varnothing 25$ mm	84-1201.5	72
	Blue	Aluminium	IP67	$\varnothing 25$ mm	84-1201.6	72
	Nature	Aluminium	IP67	$\varnothing 25$ mm	84-1201.7	72
	Black	Plastic	IP40	$\varnothing 25$ mm	84-2101.0	294

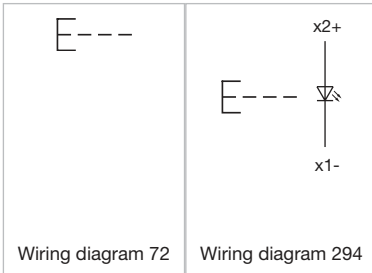
# 84 Flush design



Actuator

Switching action	Front bezel colour	Front bezel material	IP front protection	Dimensions	Part No.	Wiring diagram
Momentary	Nature	Aluminium	IP67	Ø 40 mm	84-1221.7	294

## Wiring diagrams



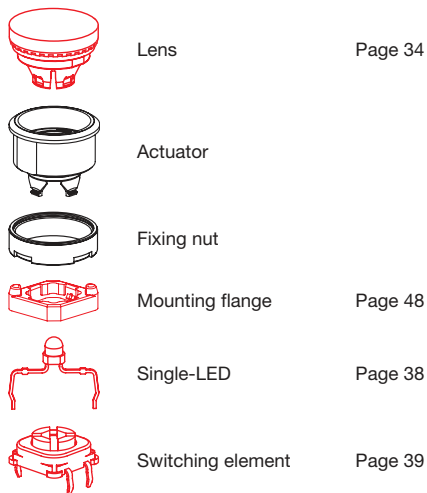
EAO Downloads.  
[www.eao.com/downloads](http://www.eao.com/downloads)  
*EAO creates possibilities. Since 1947.*



[On our website you can download technical data, assembly instructions, catalogs, brochures and much more.](http://www.eao.com/downloads)

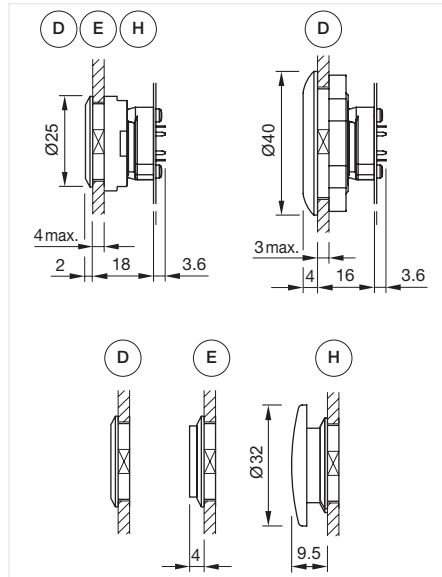
## Illuminated pushbutton PCB standard, IP40, IP67

### Equipment consisting of (schematic overview)

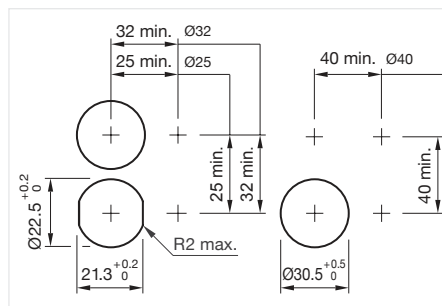


Each Part Number listed below includes all the black components shown in the 3D-drawing.

To obtain a complete unit, please select the red components from the pages shown.



Dimensions [mm]  
 A = Lens level with bezel  
 E = Lens raised above bezel  
 H = Mushroom-head cap



Mounting cut-outs [mm]



Product can differ from the current configuration.

### General information

- Illuminated lens, non-illuminated bezel
- The colour of anodised aluminium parts can vary due to technical production reasons



Actuator

Switching action	Front bezel colour	Front bezel material	IP front protection	Dimensions	Part No.	Wiring diagram
Momentary	Black	Plastic	IP67	Ø 25 mm	84-1101.0	72
	Black	Aluminium	IP67	Ø 25 mm	84-1201.0	72
	Red	Aluminium	IP67	Ø 25 mm	84-1201.2	72
	Gold	Aluminium	IP67	Ø 25 mm	84-1201.4	72
	Olive	Aluminium	IP67	Ø 25 mm	84-1201.5	72
	Blue	Aluminium	IP67	Ø 25 mm	84-1201.6	72
	Nature	Aluminium	IP67	Ø 25 mm	84-1201.7	72
	Black	Plastic	IP40	Ø 25 mm	84-2101.0	294

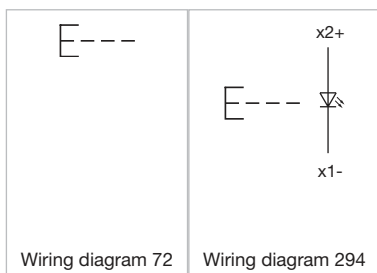


Actuator

Switching action	Front bezel colour	Front bezel material	IP front protection	Dimensions	Part No.	Wiring diagram
Momentary	Nature	Aluminium	IP67	Ø 40 mm	84-1221.7	294

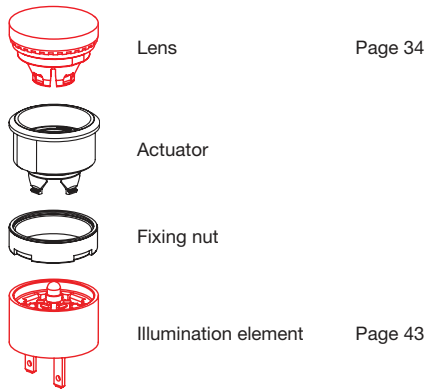
# 84 Flush design

## Wiring diagrams



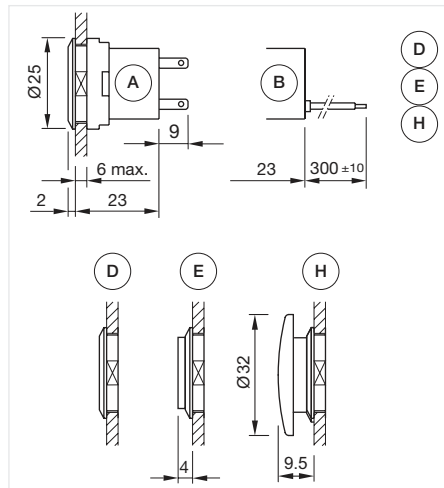
## Indicator standard, IP40, IP67

### Equipment consisting of (schematic overview)



Each Part Number listed below includes all the black components shown in the 3D-drawing.

To obtain a complete unit, please select the red components from the pages shown.

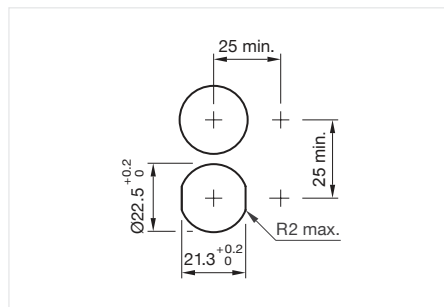


#### Dimensions [mm]

A = Plug-in terminal 2.8 mm x 0.5 mm  
 B = Flat ribbon cable  
 D = Lens level with bezel  
 E = Lens raised above bezel  
 H = Mushroom-head cap



Product can differ from the current configuration.



Mounting cut-outs [mm]

#### General information

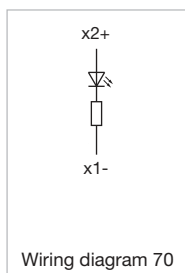
- Illuminated lens, non-illuminated bezel
- The colour of anodised aluminium parts can vary due to technical production reasons



Actuator, Front dimension  $\varnothing 25$  mm

IP front protection	Front bezel colour	Front bezel material	Part No.	Wiring diagram
IP67	Black	Plastic	84-0100.0	70
	Nature	Aluminium	84-0200.7	70
IP40	Black	Plastic	84-3100.0	70

## Wiring diagrams

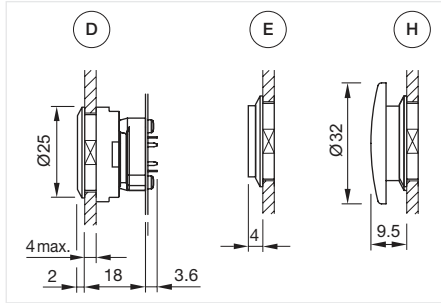


# 84 Flush design

## Indicator PCB standard, IP40, IP67



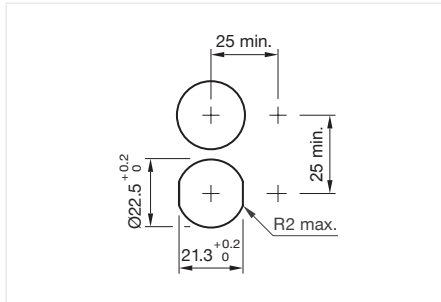
Product can differ from the current configuration.



Dimensions [mm]  
 A = Lens level with bezel  
 E = Lens raised above bezel  
 H = Mushroom-head cap

### General information

- Illuminated lens, non-illuminated bezel
- The colour of anodised aluminium parts can vary due to technical production reasons



Mounting cut-outs [mm]

### Equipment consisting of (schematic overview)

	Lens	Page 34
	Actuator	
	Fixing nut	
	Mounting flange	Page 48
	Single-LED	Page 38
	Illumination element	Page 43

Each Part Number listed below includes all the black components shown in the 3D-drawing.

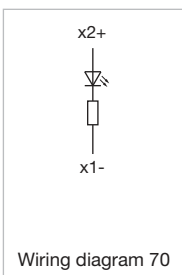
To obtain a complete unit, please select the red components from the pages shown.



Actuator, Front dimension Ø 25 mm

IP front protection	Front bezel colour	Front bezel material	Part No.	Wiring diagram
IP67	Black	Plastic	84-0100.0	70
	Nature	Aluminium	84-0200.7	70
IP40	Black	Plastic	84-3100.0	70

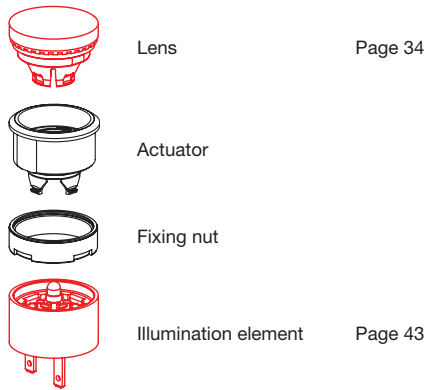
## Wiring diagrams





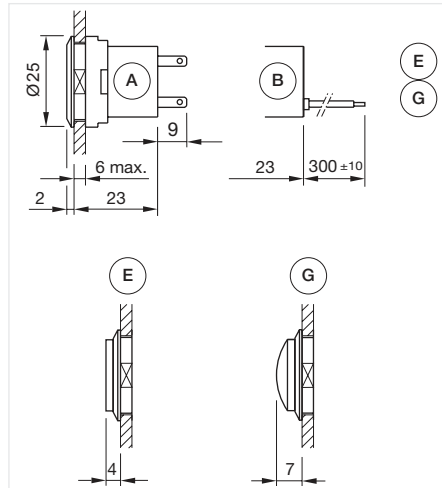
## Indicator ring illumination standard, IP67

### Equipment consisting of (schematic overview)



Each Part Number listed below includes all the black components shown in the 3D-drawing.

To obtain a complete unit, please select the red components from the pages shown.



Dimensions [mm]

A = Plug-in terminal 2.8 mm x 0.5 mm

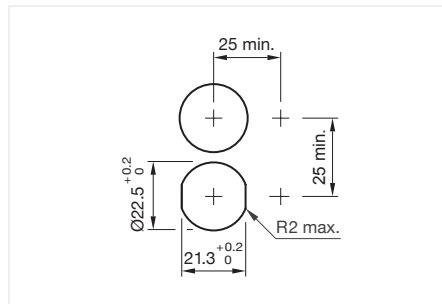
B = Flat ribbon cable

E = Lens raised above bezel

G = Lens convex raised above bezel



Product can differ from the current configuration.



Mounting cut-outs [mm]

### General information

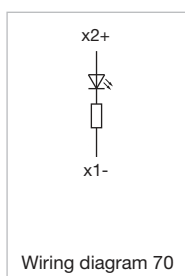
- Front bezel illuminated
- Accessories for halo illumination: Essential lenses Part No. 84-7202.x00A and 84-7205.x00A



Actuator, Front dimension Ø 25 mm

IP front protection	Front bezel colour	Front bezel material	Front bezel optics	Part No.	Wiring diagram
IP67	Colourless	Plastic	translucent	84-0090.7	70

## Wiring diagrams

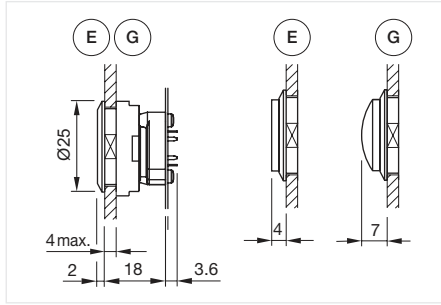


# 84 Flush design

## Indicator ring illumination PCB standard, IP67



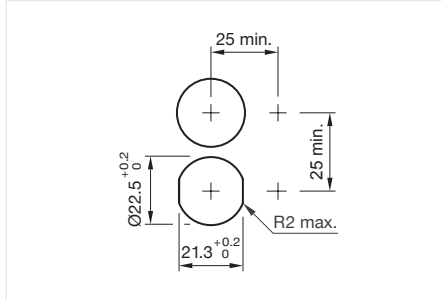
Product can differ from the current configuration.



Dimensions [mm]  
 E = Lens raised above bezel  
 G = Lens convexe raised above bezel

### General information

- Front bezel illuminated
- Accessories for halo illumination: Essential lenses Part No. 84-7202.x00A and 84-7205.x00A



Mounting cut-outs [mm]

### Equipment consisting of (schematic overview)

	Lens	Page 34
	Actuator	
	Fixing nut	
	Mounting flange	Page 48
	Single-LED	Page 38
	Illumination element	Page 43

Each Part Number listed below includes all the black components shown in the 3D-drawing.

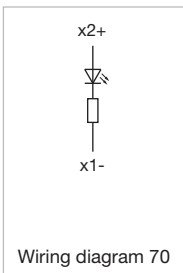
To obtain a complete unit, please select the red components from the pages shown.



Actuator, Front dimension  $\varnothing$  25 mm







IP front protection	Front bezel colour	Front bezel material	Front bezel optics	Part No.	Wiring diagram
IP67	Colourless	Plastic	translucent	84-0090.7	70

## Wiring diagrams



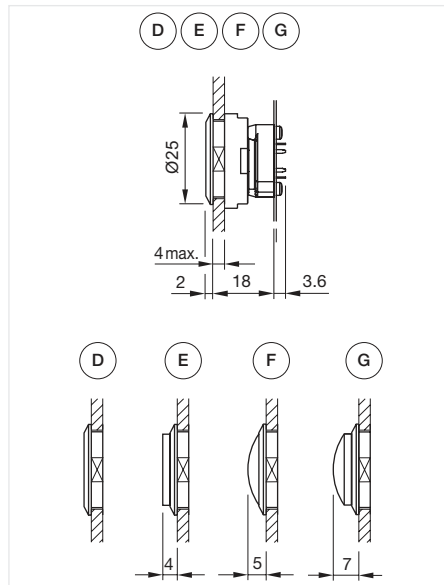
## Indicator ring illumination PCB or Halo compact, IP67

### Equipment consisting of (schematic overview)

	Lens	Page 34
	Actuator	
	Fixing nut	
	Mounting flange	Page 48
	Single-LED	Page 38
	Illumination element	Page 43

Each Part Number listed below includes all the black components shown in the 3D-drawing.

To obtain a complete unit, please select the red components from the pages shown.

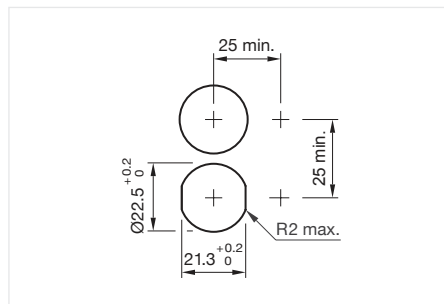


Dimensions [mm]

- D = Lens level with bezel
- E = Lens raised above bezel
- F = Lens konvexe level with bezel
- G = Lens konvexe raised above bezel



Product can differ from the current configuration.



Mounting cut-outs [mm]

### General information

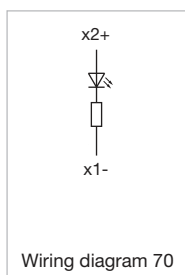
- The mini TOP LEDs are not part of delivery. Recommendation: Osram Hyper Mini TOP LED



Actuator, Front dimension Ø 25 mm

IP front protection	Front bezel colour	Front bezel material	Front bezel optics	Part No.	Wiring diagram
IP67	Colourless	Plastic	transparent	84-0080.7	70

## Wiring diagrams

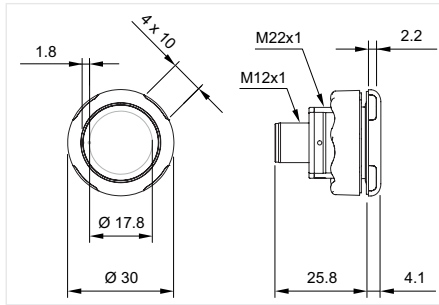


# 84 Flush design

## IO-Link Touch Standard, IP69K

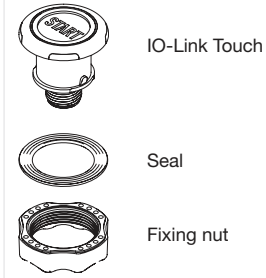


Product can differ from the current configuration.



Dimensions [mm]

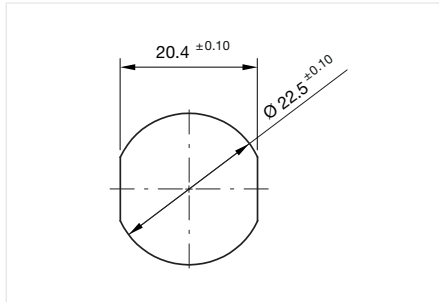
### Equipment consisting of (schematic overview)



Each Part Number listed below includes all the black components shown in the 3D-drawing.

### General information

- Actuation type: Touch
- Actuating force: No actuating force necessary
- Circuit: Capacitive
- Communication interface: IO-Link Specification 1.1
- Connector: M12



Mounting cut-outs [mm]

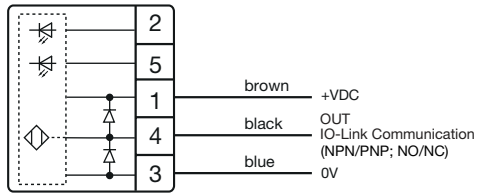


### IO-Link Touch Standard, Front dimension Ø 30 mm

Front bezel material	Output	Output pulse	LED control	Preconfigured Led colour 1	Preconfigured Led colour 2	Symbol	Part No.
Plastic	PNP-NO	Dynamic	Automatic	Green	Red	B10	84-ASKS-B10-049C
						B11	84-ASKS-B11-049D
						B12	84-ASKS-B12-049E
						B13	84-ASKS-B13-049F
						B14	84-ASKS-B14-04A0
						B15	84-ASKS-B15-04A1
						C10	84-ASKS-C10-04A2
						C11	84-ASKS-C11-04A3
						C12	84-ASKS-C12-04A4
						C14	84-ASKS-C14-04A5
						C16	84-ASKS-C16-04A6
						C17	84-ASKS-C17-04A7
						C18	84-ASKS-C18-04A8
						C19	84-ASKS-C19-04A9
						C20	84-ASKS-C20-049B

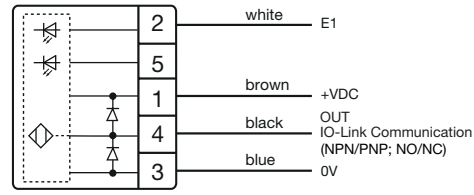
## Wiring diagrams

3-pole



Wiring diagram 466

4-pole



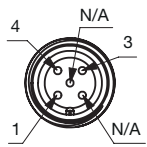
Wiring diagram 467

5-pole



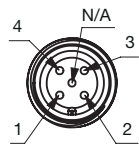
Wiring diagram 468

## Component layouts



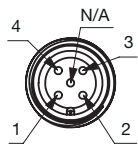
Component layout 109

Connector M12 3-pole



Component layouts 110

Connector M12 4-pole



Component layouts 111

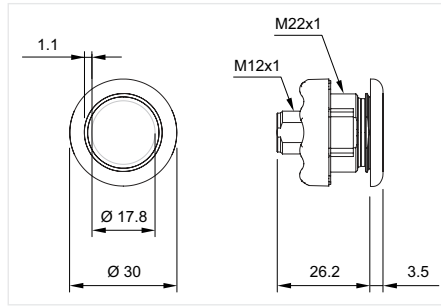
Connector M12 5-pole

- 01
- 02
- 03
- 04
- 09
- 14
- 17
- 18
- 19
- 22
- 31
- 41
- 45
- 51
- 56
- 57
- 61
- 70
- 71
- 82
- 84**
- 92
- 96

## IO-Link Touch Stainless Steel, IP69K

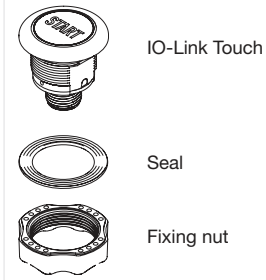


Product can differ from the current configuration.



Dimensions [mm]

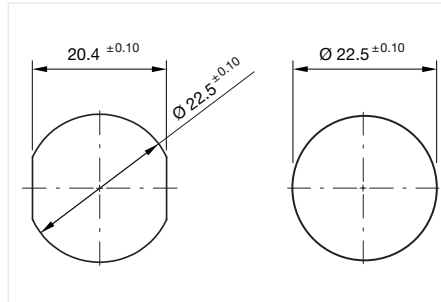
### Equipment consisting of (schematic overview)



Each Part Number listed below includes all the black components shown in the 3D-drawing.

### General information

- Actuation type: Touch
- Actuating force: No actuating force necessary
- Circuit: Capacitive
- Communication interface: IO-Link Specification 1.1
- Connector: M12



Mounting cut-outs [mm]

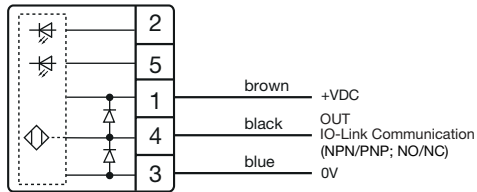


### IO-Link Touch Stainless Steel, Front dimension Ø 30 mm

Front bezel material	Output	Output pulse	LED control	Preconfigured Led colour 1	Preconfigured Led colour 2	Symbol	Part No.
Stainless Steel SUS 316L	PNP-NO	Dynamic	Automatic	Green	Red	B10	84-ADKS-B10-04AA
						B11	84-ADKS-B11-04AB
						B12	84-ADKS-B12-04AC
						B13	84-ADKS-B13-04AD
						B14	84-ADKS-B14-04AE
						B15	84-ADKS-B15-04AF
						C10	84-ADKS-C10-04B0
						C11	84-ADKS-C11-04B1
						C12	84-ADKS-C12-04B2
						C14	84-ADKS-C14-04B3
						C16	84-ADKS-C16-04B4
						C17	84-ADKS-C17-04B5
						C18	84-ADKS-C18-04B6
						C19	84-ADKS-C19-04B7
						C20	84-ADKS-C20-04B8

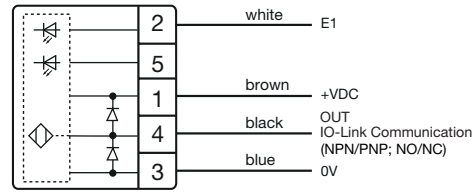
## Wiring diagrams

3-pole



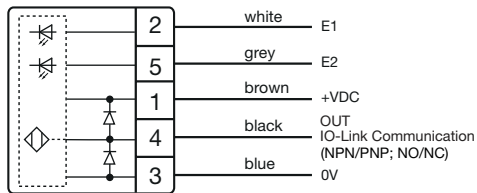
Wiring diagram 466

4-pole



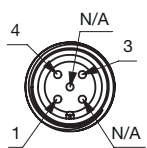
Wiring diagram 467

5-pole



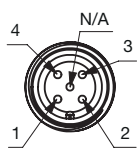
Wiring diagram 468

## Component layouts



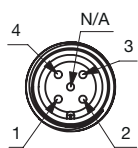
Component layout 109

Connector M12 3-pole



Component layouts 110

Connector M12 4-pole



Component layouts 111

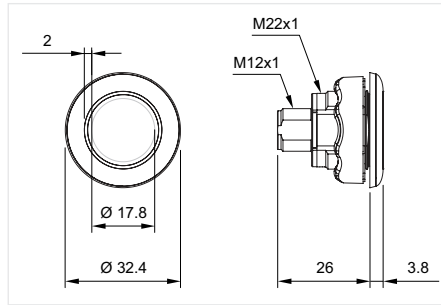
Connector M12 5-pole

- 01
- 02
- 03
- 04
- 09
- 14
- 17
- 18
- 19
- 22
- 31
- 41
- 45
- 51
- 56
- 57
- 61
- 70
- 71
- 82
- 84**
- 92
- 96

## IO-Link Touch Hygienic, IP69K

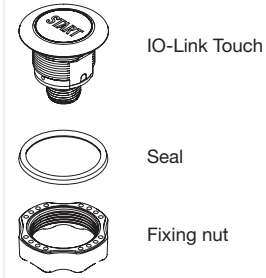


Product can differ from the current configuration.



Dimensions [mm]

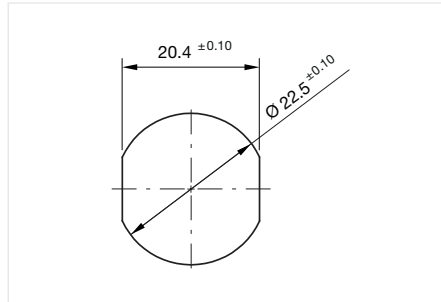
### Equipment consisting of (schematic overview)



Each Part Number listed below includes all the black components shown in the 3D-drawing.

### General information

- Actuation type: Touch
- Actuating force: No actuating force necessary
- Circuit: Capacitive
- Communication interface: IO-Link Specification 1.1
- Connector: M12



Mounting cut-outs [mm]



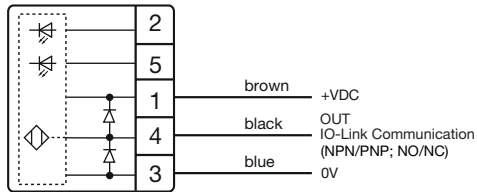
### IO-Link Touch Hygienic, Front dimension Ø 30 mm

Front bezel material	Output	Output pulse	LED control	Preconfigured Led colour 1	Preconfigured Led colour 2	Symbol	Part No.
Stainless Steel SUS 316L	Dynamic	Automatic	Green	Red	Rot	B10	84-ACKS-B10-04B9
						B11	84-ACKS-B11-04BA
						B12	84-ACKS-B12-04BB
						B13	84-ACKS-B13-04BC
						B14	84-ACKS-B14-04BD
						B15	84-ACKS-B15-04BE
						C10	84-ACKS-C10-04BF
						C11	84-ACKS-C11-04C0
						C12	84-ACKS-C12-04C1
						C14	84-ACKS-C14-04C2
						C16	84-ACKS-C16-04C3
						C17	84-ACKS-C17-04C4
						C18	84-ACKS-C18-04C5
						C19	84-ACKS-C19-04C6
						C20	84-ACKS-C20-04C7



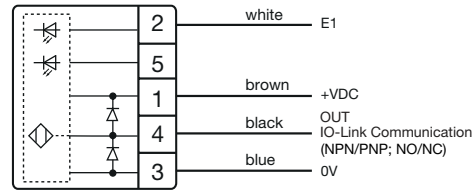
## Wiring diagrams

3-pole



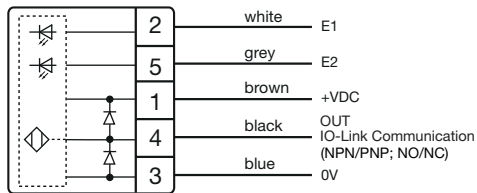
Wiring diagram 466

4-pole



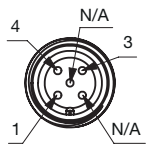
Wiring diagram 467

5-pole



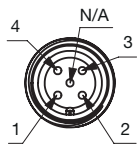
Wiring diagram 468

## Component layouts



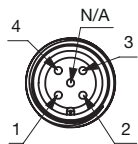
Component layout 109

Connector M12 3-pole



Component layouts 110

Connector M12 4-pole



Component layouts 111

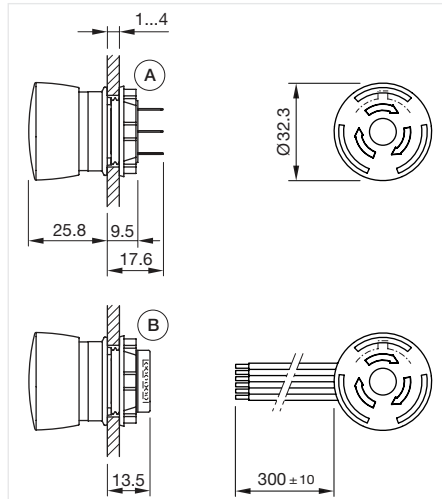
Connector M12 5-pole

# 84 Raised design

## Stop switch, IP65, IP66, IP67



Product can differ from the current configuration.

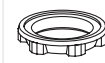


Dimensions [mm]  
 A = Plug-in terminal 2.8 mm x 0.5 mm  
 B = Flat ribbon cable

### Equipment consisting of (schematic overview)



Actuator

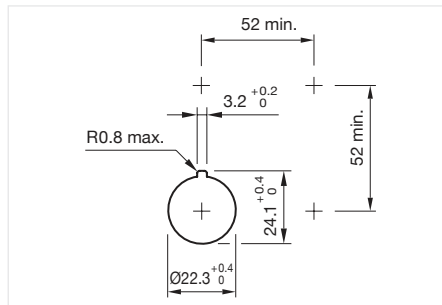


Fixing nut

Each Part Number listed below includes all the black components shown in the 3D-drawing.

### General information

- Position indication ring black
- Lens plastic grey



Mounting cut-outs [mm]

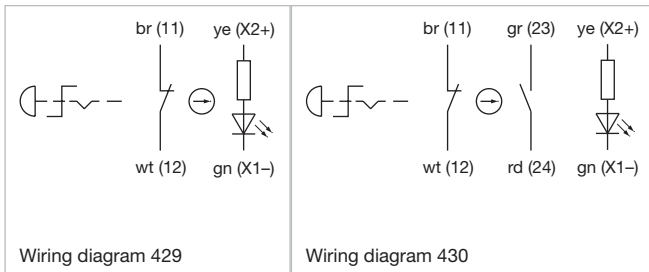
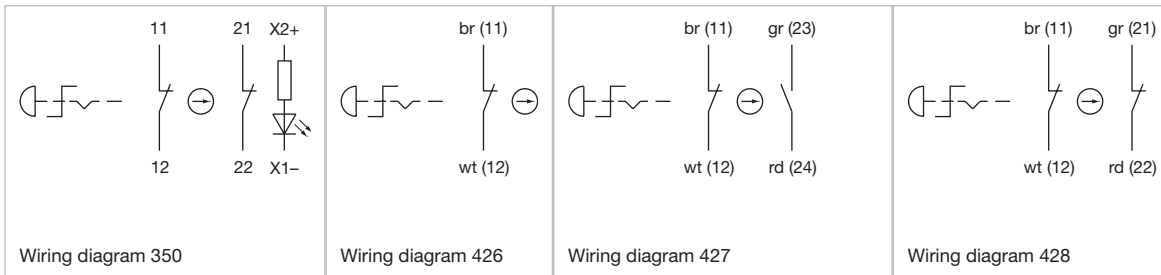
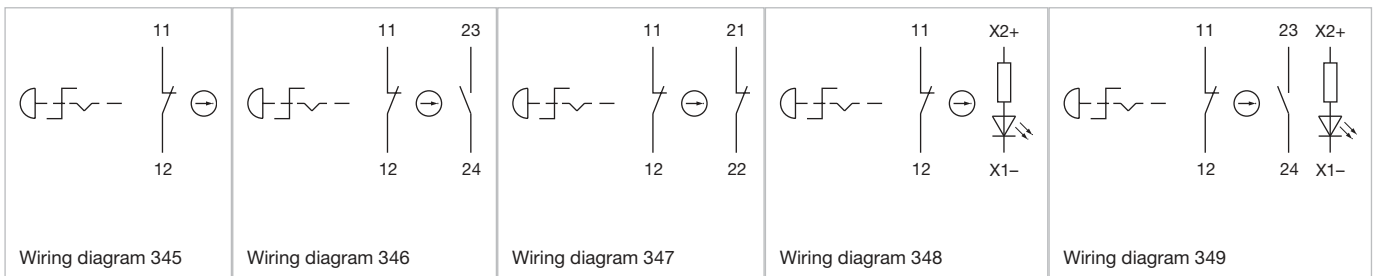


### Stop switch, Front dimension Ø 32 mm

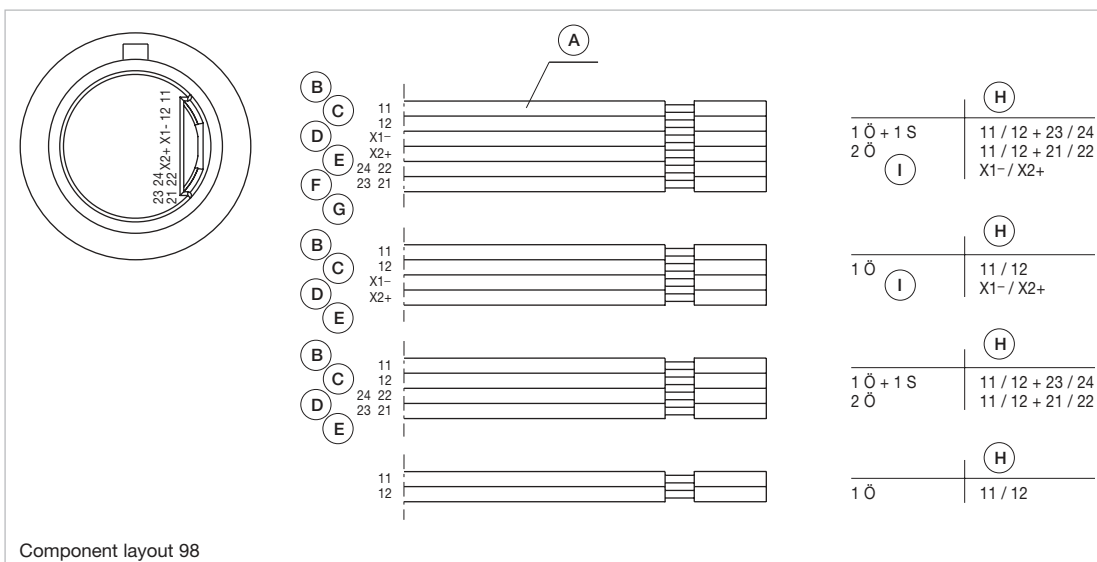
Switching action	Contacts	Terminal	Illumination colour	Part No.	Wiring diagram	Component Layout
Maintained	1 NC	Flat ribbon cable		84-6220.0040	426	98
	1 NC / 1 NO	Flat ribbon cable		84-6830.0040	427	98
	2 NC	Flat ribbon cable		84-6840.0040	428	98
	1 NC	Flat ribbon cable	Red	84-6821.2B40	429	98
	1 NC / 1 NO	Flat ribbon cable	Red	84-6831.2B40	431	98
	2 NC	Flat ribbon cable	Red	84-6841.2B40	430	98
	1 NC	Plug-in terminal		84-6220.0020	345	99
	1 NC / 1 NO	Plug-in terminal		84-6830.0020	346	99
	2 NC	Plug-in terminal		84-6840.0020	347	99
	1 NC	Plug-in terminal	Red	84-6821.2B20	348	99
	1 NC / 1 NO	Plug-in terminal	Red	84-6831.2B20	349	99
	2 NC	Plug-in terminal	Red	84-6841.2B20	350	99

Contacts: NC = Normally closed, NO = Normally open

## Wiring diagrams



## Component layouts

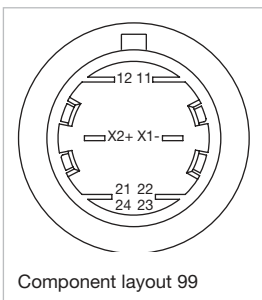


Dimensions [mm]

- A = Cable
- B = white
- C = brown
- D = green
- E = yellow
- F = grey
- G = pink
- H = Terminals
- I = Illumination

# 84 Raised design

## Component layouts



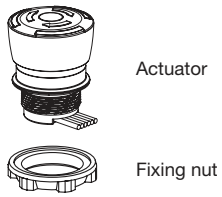
### Compact, attractive and reliable. *Series 84 E-Stop switches.*

Ideal for challenging applications – thanks to the attractive design and the very low back panel depth.

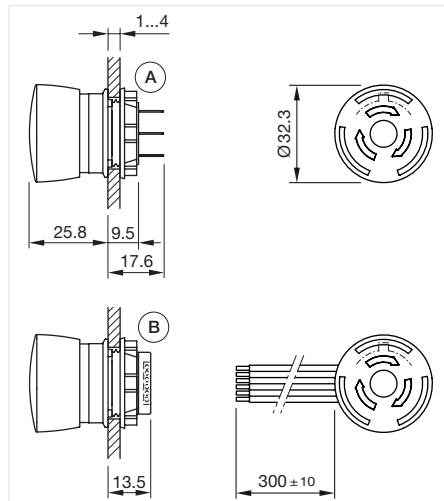
- Robust mono-block
- Foolproof and fail-safe design
- Very low back panel depth
- Attractive, modern design and protection IP65/67
- Reliable and long service life
- Clearly visible illumination

## Emergency stop switch, IP65, IP66, IP67

### Equipment consisting of (schematic overview)

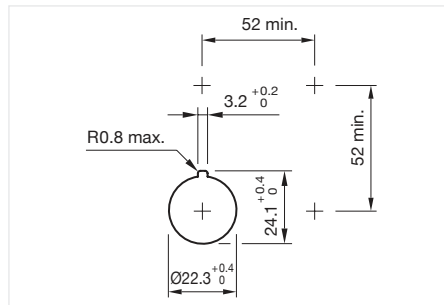


Each Part Number listed below includes all the black components shown in the 3D-drawing.



Product can differ from the current configuration.

Dimensions [mm]  
 A = Plug-in terminal 2.8 mm x 0.5 mm  
 B = Flat ribbon cable



### General information

- Lens plastic red



### Emergency stop switch, Front dimension $\varnothing 32$ mm

Switching action	Contacts	Terminal	Illumination colour	Product attributes	Part No.	Wiring diagram	Component Layout
Maintained	1 NC	Plug-in terminal		Switching position ring black	84-5220.0020	345	99
	1 NC	Flat ribbon cable		Switching position ring black	84-5220.0040	426	98
	1 NC	Plug-in terminal	Red	Switching position ring black	84-5221.2B20	348	99
	1 NC	Flat ribbon cable	Red	Switching position ring black	84-5221.2B40	429	98
	1 NC / 1 NO	Plug-in terminal		Switching position ring black	84-5230.0020	346	99
	1 NC / 1 NO	Flat ribbon cable		Switching position ring black	84-5230.0040	427	98
	1 NC / 1 NO	Plug-in terminal	Red	Switching position ring black	84-5231.2B20	349	99
	1 NC / 1 NO	Flat ribbon cable	Red	Switching position ring black	84-5231.2B40	430	98
	2 NC	Plug-in terminal		Switching position ring black	84-5240.0020	347	99
	2 NC	Flat ribbon cable		Switching position ring black	84-5240.0040	428	98
	2 NC	Plug-in terminal	Red	Switching position ring black	84-5241.2B20	350	99
	2 NC	Flat ribbon cable	Red	Switching position ring black	84-5241.2B40	431	98
	1 NC	Plug-in terminal		Switching position ring green	84-5320.0020	345	99

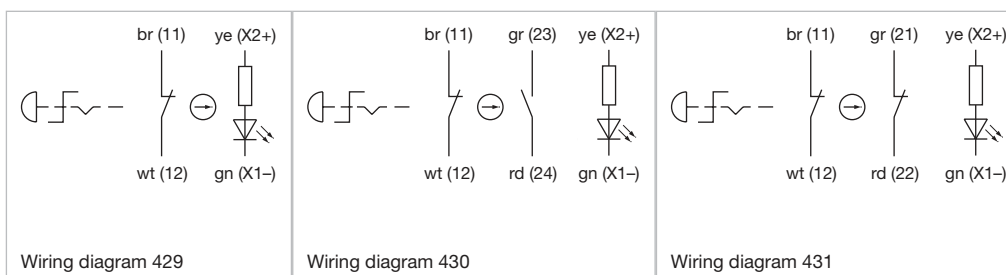
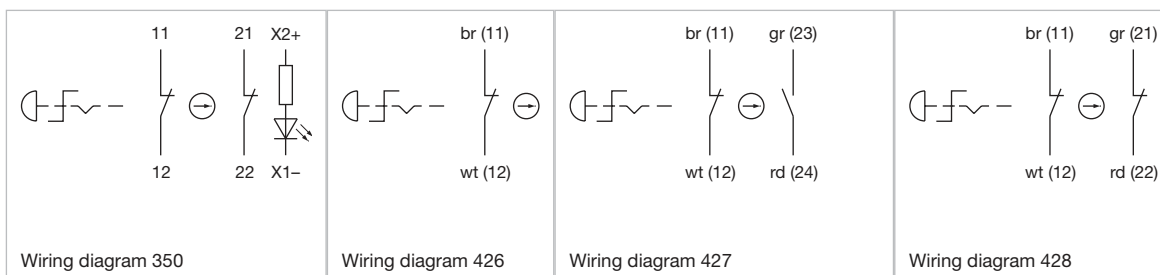
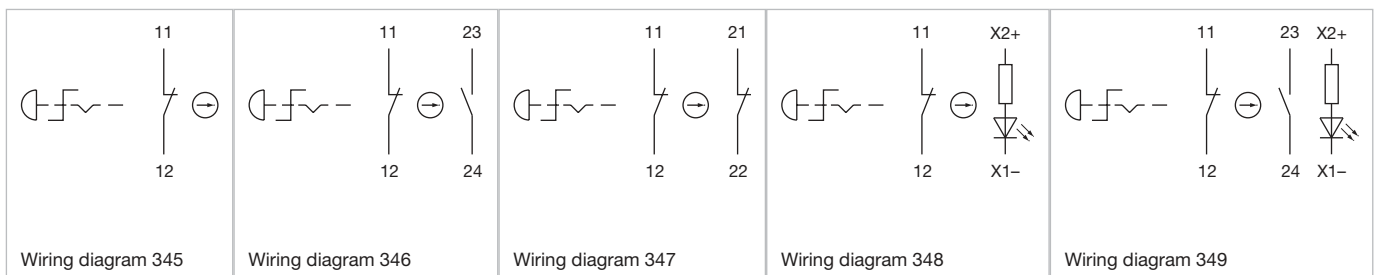
Contacts: NC = Normally closed, NO = Normally open

# 84 Raised design

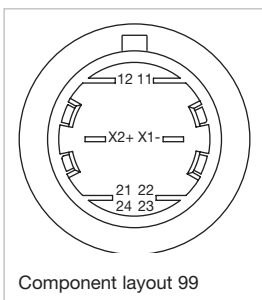
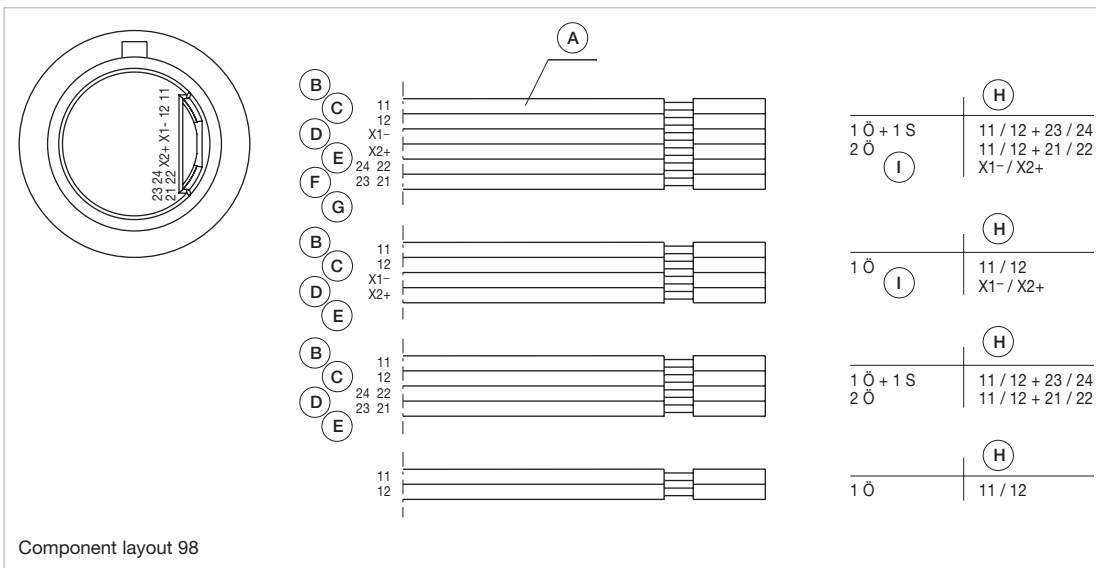
Switching action	Contacts	Terminal	Illumination colour	Product attributes	Part No.	Wiring diagram	Component Layout
Maintained	1 NC	Flat ribbon cable		Switching position ring green	84-5320.0040	426	98
	1 NC	Plug-in terminal	Red	Switching position ring green	84-5321.2B20	347	99
	1 NC	Flat ribbon cable	Red	Switching position ring green	84-5321.2B40	429	98
	1 NC / 1 NO	Plug-in terminal		Switching position ring green	84-5330.0020	346	99
	1 NC / 1 NO	Flat ribbon cable		Switching position ring green	84-5330.0040	427	98
	1 NC / 1 NO	Plug-in terminal	Red	Switching position ring green	84-5331.2B20	349	99
	1 NC / 1 NO	Flat ribbon cable	Red	Switching position ring green	84-5331.2B40	430	98
	2 NC	Plug-in terminal		Twist to unlock clockwise, position indication ring green	84-5340.0020	347	99
	2 NC	Flat ribbon cable		Twist to unlock clockwise, position indication ring green	84-5340.0040	428	98
	2 NC	Plug-in terminal	Red	Twist to unlock clockwise, position indication ring green	84-5341.2B20	350	99
	2 NC	Flat ribbon cable	Red	Twist to unlock clockwise, position indication ring green	84-5341.2B40	431	98

Contacts: NC = Normally closed, NO = Normally open

## Wiring diagrams



## Component layouts

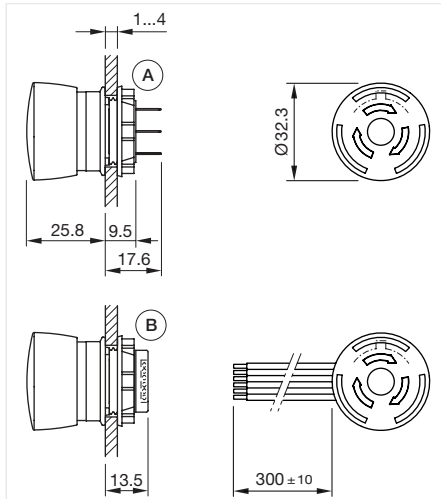


# 84 Raised design

## Emergency stop switch, Bi-Colour, IP65, IP66, IP67

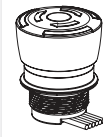


Product can differ from the current configuration.



Dimensions [mm]  
 A = Plug-in terminal 2.8 mm x 0.5 mm  
 B = Flat ribbon cable

### Equipment consisting of (schematic overview)



Actuator

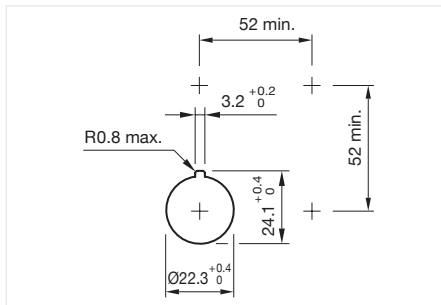


Fixing nut

Each Part Number listed below includes all the black components shown in the 3D-drawing.

### General information

- Lens plastic red
- Without built-in series resistor
- Operating voltage LED 2,0 VDC (Red), 3,05 VDC (Green)



Mounting cut-outs [mm]



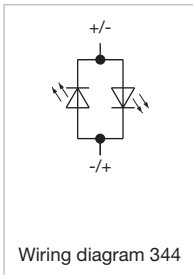
### Emergency Stop Switch, Front dimension Ø 32 mm

Switching action	Contacts	Terminal	Illumination colour	Product attributes	Part No.	Wiring diagram	Component Layout
Maintained	2 NC	Plug-in terminal	Red / Green	Twist to unlock clockwise, position indication ring black	84-5241.8D20	344	99
	2 NC	Flat ribbon cable	Red / Green	Twist to unlock clockwise, position indication ring black	84-5241.8D40	344	98
	2 NC	Plug-in terminal	Red / Green	Twist to unlock clockwise, position indication ring black	84-5341.8D20	344	99
	2 NC	Flat ribbon cable	Red / Green	Twist to unlock clockwise, position indication ring black	84-5341.8D40	344	98

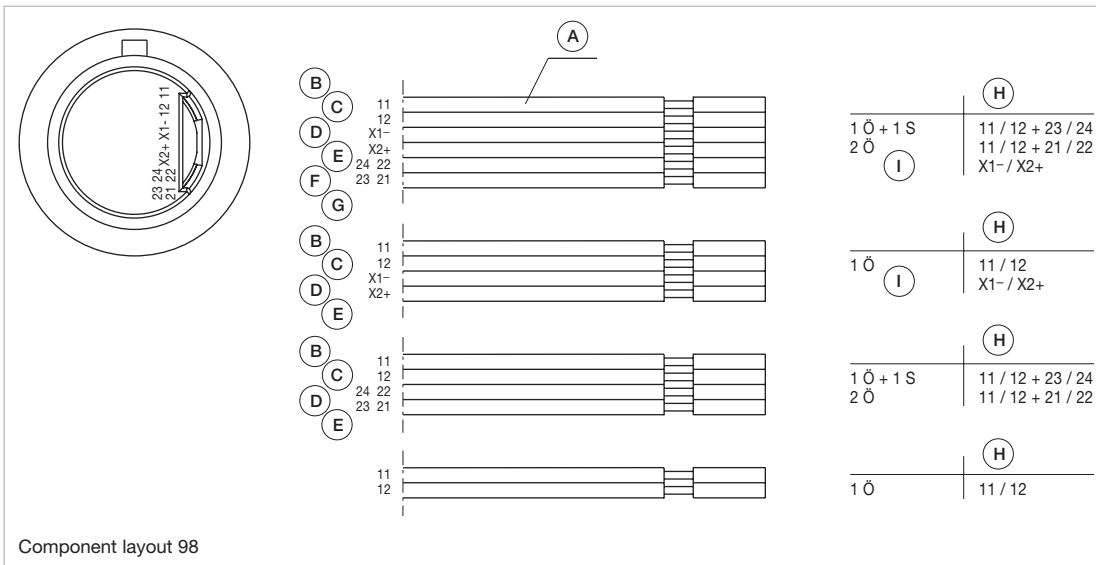
Contacts: NC = Normally closed



## Wiring diagrams

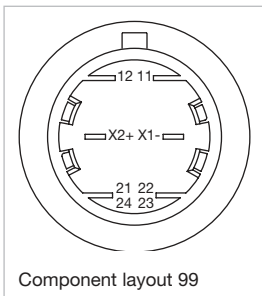


## Component layouts



Dimensions [mm]

- A = Cable
- B = white
- C = brown
- D = green
- E = yellow
- F = grey
- G = pink
- H = Terminals
- I = Illumination



# 84 Components



## Lens for stop request pushbutton

Lens material	Lens colour	Lens optics	Lens shape	Lens illumination	Lens type	Symbol	Dimensions	Part No.
Aluminium	Nature	opaque	flush	non illuminative	raised above front bezel	Door open	Ø 19.7 mm	84-7205.804A
	Nature	opaque	flush	non illuminative	raised above front bezel	Wheelchair	Ø 19.7 mm	84-7205.805A
	Nature	opaque	flush	non illuminative	raised above front bezel	Baby pram	Ø 19.7 mm	84-7205.806A
	Nature	opaque	flush	non illuminative	raised above front bezel	Bell	Ø 19.7 mm	84-7205.808A

### Additional information

- With raised labelling symbol, TSI compliant
- The colour of anodised aluminium parts can vary due to technical production reasons



## Lens metal for halo illumination

Lens material	Lens colour	Lens optics	Lens shape	Lens illumination	Lens type	Dimensions	Part No.
Aluminium	Black	opaque	flush	non illuminative	raised above front bezel	Ø 19.7 mm	84-7205.000A
	Red	opaque	flush	non illuminative	raised above front bezel	Ø 19.7 mm	84-7205.200A
	Gold	opaque	flush	non illuminative	raised above front bezel	Ø 19.7 mm	84-7205.400A
	Olive green	opaque	flush	non illuminative	raised above front bezel	Ø 19.7 mm	84-7205.500A
	Blue	opaque	flush	non illuminative	raised above front bezel	Ø 19.7 mm	84-7205.600A
	Nature	opaque	flush	non illuminative	raised above front bezel	Ø 19.7 mm	84-7205.800A
	Black	opaque	convex	non illuminative	raised above front bezel	Ø 19.7 mm	84-7202.000A
	Red	opaque	convex	non illuminative	raised above front bezel	Ø 19.7 mm	84-7202.200A
	Gold	opaque	convex	non illuminative	raised above front bezel	Ø 19.7 mm	84-7202.400A
	Olive green	opaque	convex	non illuminative	raised above front bezel	Ø 19.7 mm	84-7202.500B
	Blue	opaque	convex	non illuminative	raised above front bezel	Ø 19.7 mm	84-7202.600A
	Nature	opaque	convex	non illuminative	raised above front bezel	Ø 19.7 mm	84-7202.800A

### Additional information

- The colour of anodised aluminium parts can vary due to technical production reasons



## Lens plastic

Lens material	Lens colour	Lens optics	Lens shape	Lens illumination	Lens type	Dimensions	Part No.
Plastic	Red	transparent	flush	illuminative	level with front bezel	Ø 19.7 mm	84-7111.200
	Orange	transparent	flush	illuminative	level with front bezel	Ø 19.7 mm	84-7111.300
	Yellow	transparent	flush	illuminative	level with front bezel	Ø 19.7 mm	84-7111.400
	Green	transparent	flush	illuminative	level with front bezel	Ø 19.7 mm	84-7111.500
	Blue	transparent	flush	illuminative	level with front bezel	Ø 19.7 mm	84-7111.600
	Colourless	transparent	flush	illuminative	level with front bezel	Ø 19.7 mm	84-7111.700
	Black	opaque	flush	non illuminative	level with front bezel	Ø 19.7 mm	84-7121.000
	Grey	opaque	flush	non illuminative	level with front bezel	Ø 19.7 mm	84-7121.800
	Red	transparent	flush	illuminative	raised above front bezel	Ø 19.7 mm	84-7115.200
	Orange	transparent	flush	illuminative	raised above front bezel	Ø 19.7 mm	84-7115.300
	Yellow	transparent	flush	illuminative	raised above front bezel	Ø 19.7 mm	84-7115.400
	Green	transparent	flush	illuminative	raised above front bezel	Ø 19.7 mm	84-7115.500
	Blue	transparent	flush	illuminative	raised above front bezel	Ø 19.7 mm	84-7115.600
	Colourless	transparent	flush	illuminative	raised above front bezel	Ø 19.7 mm	84-7115.700
	Black	opaque	flush	non illuminative	raised above front bezel	Ø 19.7 mm	84-7125.000
	Grey	opaque	flush	non illuminative	raised above front bezel	Ø 19.7 mm	84-7125.800

- 01
- 02
- 03
- 04
- 09
- 14
- 17
- 18
- 19
- 22
- 31
- 41
- 45
- 51
- 56
- 57
- 61
- 70
- 71
- 82
- 84**
- 92
- 96

# 84 Components



## Lens plastic with symbol

Lens material	Lens colour	Lens optics	Lens shape	Lens illumination	Lens type	Symbol	Dimensions	Part No.
Plastic	Red	transparent	flush	illuminative	level with front bezel	Ring	Ø 19.7 mm	84-7111.201
	Orange	transparent	flush	illuminative	level with front bezel	Ring	Ø 19.7 mm	84-7111.301
	Yellow	transparent	flush	illuminative	level with front bezel	Ring	Ø 19.7 mm	84-7111.401
	Green	transparent	flush	illuminative	level with front bezel	Ring	Ø 19.7 mm	84-7111.501
	Blue	transparent	flush	illuminative	level with front bezel	Ring	Ø 19.7 mm	84-7111.601
	Colourless	transparent	flush	illuminative	level with front bezel	Ring	Ø 19.7 mm	84-7111.701
	Red	transparent	flush	illuminative	level with front bezel	ON/OFF	Ø 19.7 mm	84-7111.202
	Green	transparent	flush	illuminative	level with front bezel	ON/OFF	Ø 19.7 mm	84-7111.502
	Blue	transparent	flush	illuminative	level with front bezel	ON/OFF	Ø 19.7 mm	84-7111.602
	Colourless	transparent	flush	illuminative	level with front bezel	ON/OFF	Ø 19.7 mm	84-7111.702
	Red	transparent	flush	illuminative	level with front bezel	Standby	Ø 19.7 mm	84-7111.203
	Green	transparent	flush	illuminative	level with front bezel	Standby	Ø 19.7 mm	84-7111.503
	Blue	transparent	flush	illuminative	level with front bezel	Standby	Ø 19.7 mm	84-7111.603
	Colourless	transparent	flush	illuminative	level with front bezel	Standby	Ø 19.7 mm	84-7111.703

### Additional information

- The silvery coat is being applied on the lens (screen print) with an additional protective lacquer. Further information see Technical data



EAO Downloads.  
[www.eao.com/downloads](http://www.eao.com/downloads)  
*EAO creates possibilities. Since 1947.*



[On our website you can download technical data, assembly instructions, catalogs, brochures and much more.](http://www.eao.com/downloads)

**eao** ■

[www.eao.com](http://www.eao.com)

Your Expert Partner for Human Machine Interfaces



## Lens metal

Lens material	Lens colour	Lens optics	Lens shape	Lens illumination	Lens type	Dimensions	Part No.
Aluminium	Black	opaque	flush	non illuminative	level with front bezel	Ø 19.7 mm	84-7201.000
	Red	opaque	flush	non illuminative	level with front bezel	Ø 19.7 mm	84-7201.200
	Gold	opaque	flush	non illuminative	level with front bezel	Ø 19.7 mm	84-7201.400
	Olive green	opaque	flush	non illuminative	level with front bezel	Ø 19.7 mm	84-7201.500
	Blue	opaque	flush	non illuminative	level with front bezel	Ø 19.7 mm	84-7201.600
	Nature	opaque	flush	non illuminative	level with front bezel	Ø 19.7 mm	84-7201.800
	Black	opaque	flush	non illuminative	raised above front bezel	Ø 19.7 mm	84-7205.000
	Red	opaque	flush	non illuminative	raised above front bezel	Ø 19.7 mm	84-7205.200
	Gold	opaque	flush	non illuminative	raised above front bezel	Ø 19.7 mm	84-7205.400
	Olive green	opaque	flush	non illuminative	raised above front bezel	Ø 19.7 mm	84-7205.500
	Blue	opaque	flush	non illuminative	raised above front bezel	Ø 19.7 mm	84-7205.600
	Nature	opaque	flush	non illuminative	raised above front bezel	Ø 19.7 mm	84-7205.800
	Black	opaque	convex	non illuminative	level with front bezel	Ø 19.7 mm	84-7202.000
	Red	opaque	convex	non illuminative	level with front bezel	Ø 19.7 mm	84-7202.200
	Gold	opaque	convex	non illuminative	level with front bezel	Ø 19.7 mm	84-7202.400
	Olive green	opaque	convex	non illuminative	level with front bezel	Ø 19.7 mm	84-7202.500
	Blue	opaque	convex	non illuminative	level with front bezel	Ø 19.7 mm	84-7202.600
	Nature	opaque	convex	non illuminative	level with front bezel	Ø 19.7 mm	84-7202.800

### Additional information

- The colour of anodised aluminium parts can vary due to technical production reasons



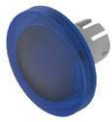
## Lens metal with spot

Lens material	Lens colour	Lens optics	Lens shape	Lens illumination	Lens type	Dimensions	Part No.
Aluminium	Black	opaque	flush	illuminative	level with front bezel	Ø 19.7 mm	84-7211.000
	Red	opaque	flush	illuminative	level with front bezel	Ø 19.7 mm	84-7211.200
	Gold	opaque	flush	illuminative	level with front bezel	Ø 19.7 mm	84-7211.400
	Olive green	opaque	flush	illuminative	level with front bezel	Ø 19.7 mm	84-7211.500
	Blue	opaque	flush	illuminative	level with front bezel	Ø 19.7 mm	84-7211.600
	Nature	opaque	flush	illuminative	level with front bezel	Ø 19.7 mm	84-7211.800
	Black	opaque	flush	illuminative	raised above front bezel	Ø 19.7 mm	84-7215.000
	Red	opaque	flush	illuminative	raised above front bezel	Ø 19.7 mm	84-7215.200
	Gold	opaque	flush	illuminative	raised above front bezel	Ø 19.7 mm	84-7215.400
	Olive green	opaque	flush	illuminative	raised above front bezel	Ø 19.7 mm	84-7215.500
	Blue	opaque	flush	illuminative	raised above front bezel	Ø 19.7 mm	84-7215.600
	Nature	opaque	flush	illuminative	raised above front bezel	Ø 19.7 mm	84-7215.800

### Additional information

- The colour of anodised aluminium parts can vary due to technical production reasons

# 84 Components



Mushroom-head cap

Lens material	Lens colour	Lens optics	Lens shape	Lens illumination	Part No.
Plastic	Blue	transparent	mushroom-head	illuminative	84-7114.600A
	Black	opaque	mushroom-head	non illuminative	84-7124.000A
	Red	opaque	mushroom-head	non illuminative	84-7124.200A



Marking plate

Marking plate material	Marking plate colour	Marking plate optics	Marking plate illumination	Part No.
Plastic	Colourless	transparent	illuminative	61-9707.7

**Additional information**

- Can be hot stamped



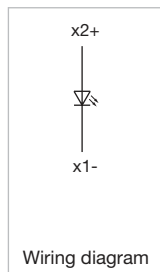
Single-LED, T1 3/4 MG

Illumination colour	Lumi. Intensity	Dom. Wavelength	Forward voltage	Part No.	Wiring diagram
Red	160 mcd	625 nm	2.0 VDC @ 20 mA	10-2601.3172S	4
Amber	165 mcd	605 nm	2.0 VDC @ 20 mA	10-2601.3173S	4
Yellow	600 mcd	580 nm	2.9 VDC @ 20 mA	10-2603.3174S	4
Green	650 mcd	525 nm	3.2 VDC @ 20 mA	10-2603.3175S	4
Blue	250 mcd	467 nm	3.0 VDC @ 20 mA	10-2603.3176S	4
White	500 mcd	x: 0,31 / y: 0,32 nm	3.2 VDC @ 20 mA	10-2603.3178S	4

**Additional information**

- The customer has to decide what series resistor shall be used to the LED
- Luminosity and wave length variations caused by LED manufacturing processes may cause slight differences regarding the illumination. The customer has to decide what resistor shall be used to the LED

## Wiring diagrams





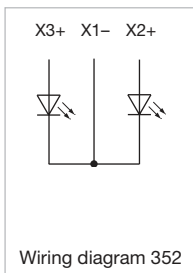
## Bi-colour LED, T1 Bi-Pin

Illumination colour	Lumi. Intensity	Dom. Wavelength	Forward voltage	Part No.	Wiring diagram
Red / Green	1000/1800 mcd	628 / 525 nm	1.9 / 3.5 VDC @ 20 mA	10-2603.320AT	352
Green / Yellow	1100/900 mcd	588 / 525 nm	2.0 / 3.2 VDC @ 20 mA	10-2603.320CT	352

### Additional information

- The customer has to decide what series resistor shall be used to the LED
- Luminosity and wave length variations caused by LED manufacturing processes may cause slight differences regarding the illumination. The customer has to decide what resistor shall be used to the LED

## Wiring diagrams



## Switching element with illumination and plug-in terminal

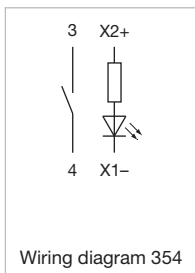
IP Protection	Illumination colour	Operating voltage	Operation current	Terminal	Part No.	Wiring diagram
IP40	Red	12 V DC $\pm 10\%$	10 mA	Plug-in terminal	84-8511.2320	354
	Orange	12 V DC $\pm 10\%$	10 mA	Plug-in terminal	84-8511.3320	354
	Yellow	12 V DC $\pm 10\%$	10 mA	Plug-in terminal	84-8511.4320	354
	Green	12 V DC $\pm 10\%$	10 mA	Plug-in terminal	84-8511.5320	354
	Blue	12 V DC $\pm 10\%$	10 mA	Plug-in terminal	84-8511.6320	354
	White	12 V DC $\pm 10\%$	10 mA	Plug-in terminal	84-8511.9320	354
	Red	24 V DC $\pm 10\%$	10 mA	Plug-in terminal	84-8511.2620	354
	Orange	24 V DC $\pm 10\%$	10 mA	Plug-in terminal	84-8511.3620	354
	Yellow	24 V DC $\pm 10\%$	10 mA	Plug-in terminal	84-8511.4620	354
	Green	24 V DC $\pm 10\%$	10 mA	Plug-in terminal	84-8511.5620	354
	Blue	24 V DC $\pm 10\%$	10 mA	Plug-in terminal	84-8511.6620	354
	White	24 V DC $\pm 10\%$	10 mA	Plug-in terminal	84-8511.9620	354

Contacts: NO = Normally open

### Additional information

- LED and built-in resistor included
- Standard version: Cable length 300 mm with insulated ferrule, plug-in terminal 2.8 mm x 0.8 mm
- Other options on request: Customisation of cable and connectors, rear side fully sealed (IP 67)
- Protection degree (rear side): IP 40, upgrade to IP 67 with plug Part No. 84-900 possible. With applications where strong vibrations occur, the plugs may become loose
- Luminosity and wave length variations caused by LED manufacturing processes may cause slight differences regarding the illumination. The customer has to decide what resistor shall be used to the LED

## Wiring diagrams



### Switching element with illumination and flat ribbon cable

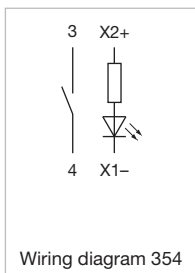
IP Protection	Illumination colour	Operating voltage	Operation current	Terminal	Part No.	Wiring diagram
IP40	Red	12 V DC $\pm 10\%$	10 mA	Flat ribbon cable	84-8511.2340	354
	Orange	12 V DC $\pm 10\%$	10 mA	Flat ribbon cable	84-8511.3340	354
	Yellow	12 V DC $\pm 10\%$	10 mA	Flat ribbon cable	84-8511.4340	354
	Green	12 V DC $\pm 10\%$	10 mA	Flat ribbon cable	84-8511.5340	354
	Blue	12 V DC $\pm 10\%$	10 mA	Flat ribbon cable	84-8511.6340	354
	White	12 V DC $\pm 10\%$	10 mA	Flat ribbon cable	84-8511.9340	354
	Red	24 V DC $\pm 10\%$	10 mA	Flat ribbon cable	84-8511.2640	354
	Orange	24 V DC $\pm 10\%$	10 mA	Flat ribbon cable	84-8511.3640	354
	Yellow	24 V DC $\pm 10\%$	10 mA	Flat ribbon cable	84-8511.4640	354
	Green	24 V DC $\pm 10\%$	10 mA	Flat ribbon cable	84-8511.5640	354
	Blue	24 V DC $\pm 10\%$	10 mA	Flat ribbon cable	84-8511.6640	354
	White	24 V DC $\pm 10\%$	10 mA	Flat ribbon cable	84-8511.9640	354

Contacts: NO = Normally open

#### Additional information

- LED and built-in resistor included
- Standard version: Cable length 300 mm with insulated ferrule, plug-in terminal 2.8 mm x 0.8 mm
- Other options on request: Customisation of cable and connectors, rear side fully sealed (IP 67)
- Protection degree (rear side): IP 40, upgrade to IP 67 with plug Part No. 84-900 possible. With applications where strong vibrations occur, the plugs may become loose
- Luminosity and wave length variations caused by LED manufacturing processes may cause slight differences regarding the illumination. The customer has to decide what resistor shall be used to the LED

## Wiring diagrams







## Switching element Bi-colour

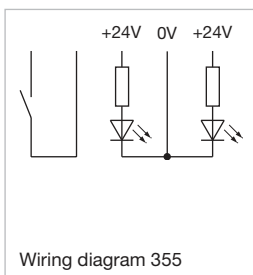
Operating voltage	Switching system	Contacts	Contact material	Illumination colour	Terminal	Part No.	Wiring diagram
24 V DC $\pm$ 10 %	Short-travel element	1 NO	Gold-plated silver	Red / Green	Flat ribbon cable	84-8515.8640	355
	Short-travel element	1 NO	Gold-plated silver	Yellow / Green	Flat ribbon cable	84-8515.7640	355

Contacts: NO = Normally open

### Additional information

- LED and built-in resistor included
- Cable connection IP 67, rear side fully sealed. The illumination element of the cable version cannot be disconnected from the actuator any longer
- Best illumination level will be reached with aluminium lens with spot, Part No. 84-7215.x00 and 84-7211.x00
- Standard version: Cable length 300 mm with insulated ferrule, plug-in terminal 2.8 mm x 0.8 mm
- Other options on request: Customisation of cable and connectors, rear side fully sealed (IP 67)
- Luminosity and wave length variations caused by LED manufacturing processes may cause slight differences regarding the illumination. The customer has to decide what resistor shall be used to the LED

## Wiring diagrams



## Switching element without illumination

Switching system	Contacts	Contact material	Terminal	Part No.	Wiring diagram
Short-travel element	1 NO	Gold-plated silver	Plug-in terminal	84-8510.0020	356
	1 NO	Gold-plated silver	Flat ribbon cable	84-8510.0040	356

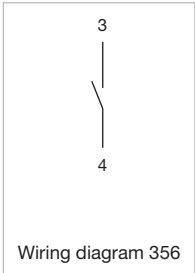
Contacts: NO = Normally open

### Additional information

- Standard version: Cable length 300 mm with insulated ferrule, plug-in terminal 2.8 mm x 0.8 mm
- Other options on request: Customisation of cable and connectors, rear side fully sealed (IP 67)
- Protection degree (rear side): IP 40, upgrade to IP 67 with plug Part No. 84-900 possible. With applications where strong vibrations occur, the plugs may become loose

# 84 Components

## Wiring diagrams



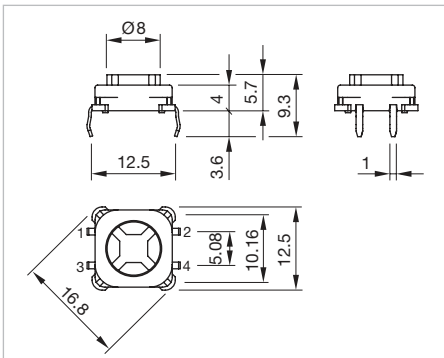
### Switching element PCB illuminative

Switching system	Contacts	Contact material	Terminal	Part No.	Wiring diagram	Component Layout
Short-travel element	1 NO	Gold-plated silver	PCB terminal	92-851.342	332	82

Contacts: NO = Normally open

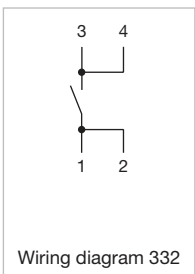
#### Additional information

- The customer has to decide what series resistor shall be used to the LED
- LED and mounting flange to be ordered separately

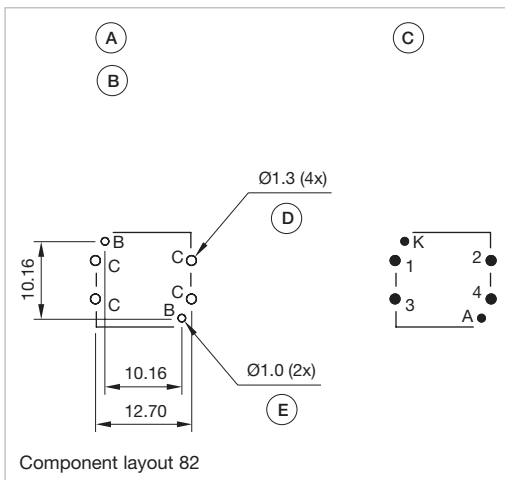


Dimensions [mm]

## Wiring diagrams



## Component layouts



Dimensions [mm]

A = Switching element with illumination

B = Single LED

C = Drilling plan (component side)

D = Hole for switching element, pad max. Ø 2.5 mm

E = Hole for LED



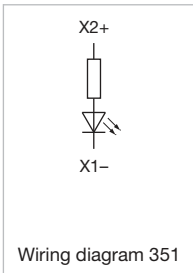
### Illumination element with plug-in terminal

IP Protection	Illumination colour	Operating voltage	Terminal	Part No.	Wiring diagram
IP40	Red	12 V DC ±10 %	Plug-in terminal	84-8001.2320	351
	Yellow	12 V DC ±10 %	Plug-in terminal	84-8001.4320	351
	Green	12 V DC ±10 %	Plug-in terminal	84-8001.5320	351
	Blue	12 V DC ±10 %	Plug-in terminal	84-8001.6320	351
	White	12 V DC ±10 %	Plug-in terminal	84-8001.9320	351
	Red	24 V DC ±10 %	Plug-in terminal	84-8001.2620	351
	Amber	24 V DC ±10 %	Plug-in terminal	84-8001.3620	351
	Yellow	24 V DC ±10 %	Plug-in terminal	84-8001.4620	351
	Green	24 V DC ±10 %	Plug-in terminal	84-8001.5620	351
	Blue	24 V DC ±10 %	Plug-in terminal	84-8001.6620	351
	White	24 V DC ±10 %	Plug-in terminal	84-8001.9620	351

#### Additional information

- LED and built-in resistor included
- Standard version: Cable length 300 mm with insulated ferrule, plug-in terminal 2.8 mm x 0.8 mm
- Other options on request: Customisation of cable and connectors, rear side fully sealed (IP 67)
- Protection degree (rear side): IP 40, upgrade to IP 67 with plug Part No. 84-900 possible. With applications where strong vibrations occur, the plugs may become loose
- Luminosity and wave length variations caused by LED manufacturing processes may cause slight differences regarding the illumination. The customer has to decide what resistor shall be used to the LED
- Standard version: Cable length 300 mm with insulated ferrule, plug-in terminal 2.8 mm x 0.5 mm

## Wiring diagrams



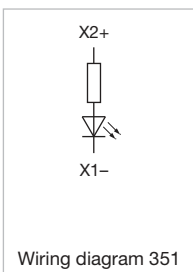
### Illumination element with flat ribbon cable

IP Protection	Illumination colour	Operating voltage	Terminal	Part No.	Wiring diagram
IP40	Red	12 V DC $\pm 10$ %	Flat ribbon cable	84-8001.2340	351
	Yellow	12 V DC $\pm 10$ %	Flat ribbon cable	84-8001.4340	351
	Green	12 V DC $\pm 10$ %	Flat ribbon cable	84-8001.5340	351
	White	12 V DC $\pm 10$ %	Flat ribbon cable	84-8001.9340	351
	Red	24 V DC $\pm 10$ %	Flat ribbon cable	84-8001.2640	351
	Amber	24 V DC $\pm 10$ %	Flat ribbon cable	84-8001.3640	351
	Yellow	24 V DC $\pm 10$ %	Flat ribbon cable	84-8001.4640	351
	Green	24 V DC $\pm 10$ %	Flat ribbon cable	84-8001.5640	351
	Blue	24 V DC $\pm 10$ %	Flat ribbon cable	84-8001.6640	351
	White	24 V DC $\pm 10$ %	Flat ribbon cable	84-8001.9640	351

#### Additional information

- LED and built-in resistor included
- Standard version: Cable length 300 mm with insulated ferrule, plug-in terminal 2.8 mm x 0.8 mm
- Other options on request: Customisation of cable and connectors, rear side fully sealed (IP 67)
- Protection degree (rear side): IP 40, upgrade to IP 67 with plug Part No. 84-900 possible. With applications where strong vibrations occur, the plugs may become loose
- Luminosity and wave length variations caused by LED manufacturing processes may cause slight differences regarding the illumination. The customer has to decide what resistor shall be used to the LED

## Wiring diagrams





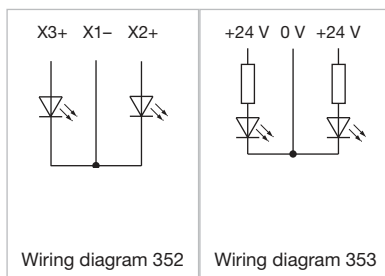
## Illumination element bi-colour

IP Protection	Illumination colour	Operating voltage	Terminal	Part No.	Wiring diagram
IP40	Yellow / Green	24 V AC/DC $\pm 10$ %	Plug-in terminal	84-8005.7620	352
	Red / Green	24 V AC/DC $\pm 10$ %	Plug-in terminal	84-8005.8620	353
IP67	Yellow / Green	24 V AC/DC $\pm 10$ %	Flat ribbon cable	84-8005.7640	352
	Red / Green	24 V AC/DC $\pm 10$ %	Flat ribbon cable	84-8005.8640	353

### Additional information

- LED and built-in resistor included
- Standard version: Cable length 300 mm with insulated ferrule, plug-in terminal 2.8 mm x 0.8 mm
- Other options on request: Customisation of cable and connectors, rear side fully sealed (IP 67)
- Best illumination level will be reached with aluminium lens with spot, Part No. 84-7215.x00 and 84-7211.x00
- Protection degree (rear side): IP 40, upgrade to IP 67 with plug Part No. 84-900 possible. With applications where strong vibrations occur, the plugs may become loose
- Cable connection IP 67, rear side fully sealed. The illumination element of the cable version cannot be disconnected from the actuator any longer
- Luminosity and wave length variations caused by LED manufacturing processes may cause slight differences regarding the illumination. The customer has to decide what resistor shall be used to the LED

### Wiring diagrams



# 84 Components



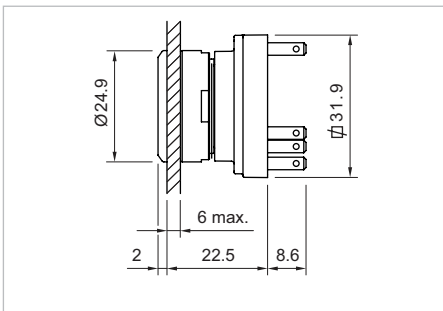
## Switching element Halo Compact

Operating voltage	Operation current	Switching system	Contacts	Contact material	Illumination colour	Terminal	Part No.	Wiring diagram	Component Layout
24 V DC $\pm 10\%$	80 mA	Short-travel element	1 NO	Gold-plated silver	Red	Soldering / Plug-in terminal	84-8716.2620	439	103
	80 mA	Short-travel element	1 NO	Gold-plated silver	Yellow	Soldering / Plug-in terminal	84-8716.4620	439	103
	80 mA	Short-travel element	1 NO	Gold-plated silver	Green	Soldering / Plug-in terminal	84-8716.5620	439	103
	80 mA	Short-travel element	1 NO	Gold-plated silver	Blue	Soldering / Plug-in terminal	84-8716.6620	439	103
	80 mA	Short-travel element	1 NO	Gold-plated silver	White	Soldering / Plug-in terminal	84-8716.9620	439	103
	80 mA	Short-travel element	1 NO	Gold-plated silver	Red / Green	Soldering / Plug-in terminal	84-8716.8620	439	103

Contacts: NO = Normally open

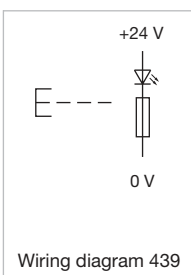
### Additional information

- Preconfigured light sequences see Technical data
- Integrated electronic switch for latching function (High-Side-Switch)

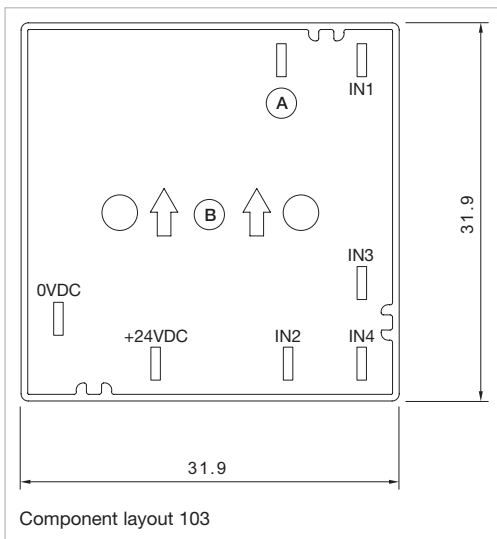


Dimensions [mm]

### Wiring diagrams



## Component layouts



A = Switch out  
B = Top

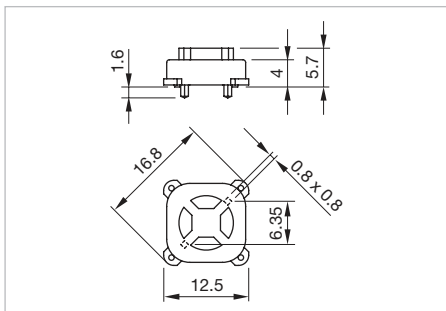


### Illumination element PCB

Terminal	Part No.	Wiring diagram	Component Layout
PCB terminal	92-800.042	330	79

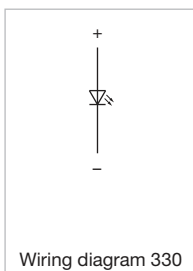
#### Additional information

- The customer has to decide what series resistor shall be used to the LED
- LED and mounting flange to be ordered separately

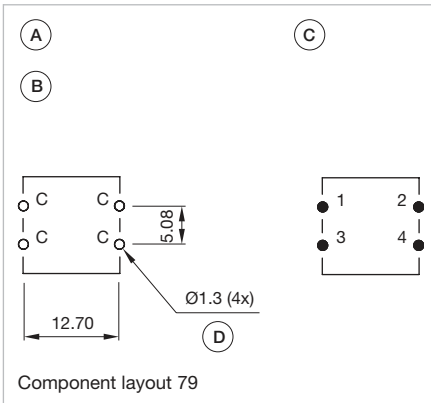


Dimensions [mm]

## Wiring diagrams



## Component layouts



Dimensions [mm]  
 A = Switching element without illumination  
 B = Drilling plan (component side)  
 C = Occupancy plan (component side)  
 D = Hole for switching element

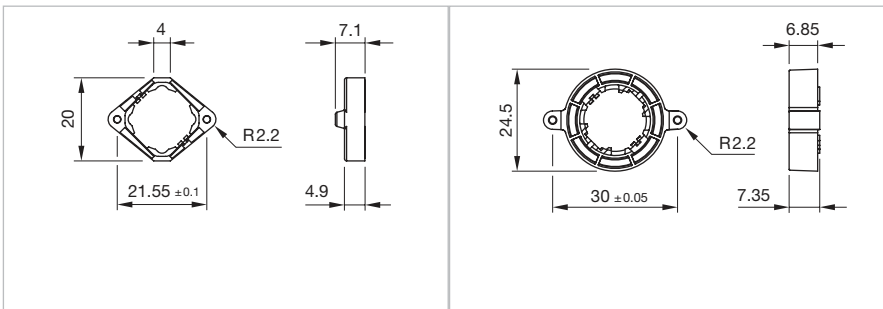


### Mounting flange

Product attributes	Material	Fastening	Part No.
Tightening torque fixing screw 0.3 Nm	Plastic	With screws	92-960.0
Halo illumination (illuminated multi-color bezel)	Plastic	Mit Schrauben	84-960.0

#### Additional information

- For discrete switching applications including switching element and mounting flange, soldering terminal (assembled PCB incl. series resistor and LED on request)
- Halo illumination (illuminated multi-color bezel)



Dimensions [mm]  
 for Part No. 92-960.0

Dimensions [mm]  
 for Part No. 84-960.0



## Front side

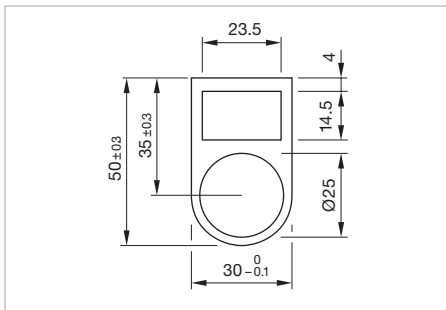


Legend frame

Dimensions	Material	Colour	Surface	Mounting type	Part No.
30 mm x 50 mm	Aluminium	Black	anodised	adhesive	61-9980.0

### Additional information

- For devices with front dimension  $\varnothing 25$  mm, flush design
- The colour of anodised aluminium parts can vary due to technical production reasons



Dimensions [mm]



Legend plate

Product attributes	Dimensions	Material	Colour	Surface	Mounting type	Part No.
For legend frame Part No.704.968.2 and 704.968.3	14.5 mm x 23.5 mm	Aluminium	Nature	anodised	adhesive	704.968.0
	14.5 mm x 23.5 mm	Aluminium	Black	anodised	adhesive	704.968.1

### Additional information

- The colour of anodised aluminium parts can vary due to technical production reasons

# 84 Accessories



## Emergency stop legend

Dimensions	Material	Colour	Mounting cut-out	Marking	Part No.
Ø 60 mm	Plastic	Yellow	Ø 22.3 mm	NOT AUS	704.963.5
	Plastic	Yellow	Ø 22.3 mm	EMERGENCY STOP	704.963.6
	Plastic	Yellow	Ø 22.3 mm	ARRET D'URGENCE	704.963.7
	Plastic	Yellow	Ø 22.3 mm	NOT HALT	704.963.8
	Plastic	Yellow	Ø 22.3 mm	EN ISO 13850 symbol	704.963.9
Ø 90 mm	Plastic	Yellow	Ø 22.3 mm	NOT AUS	704.963.0
	Plastic	Yellow	Ø 22.3 mm	EMERGENCY STOP	704.963.1
	Plastic	Yellow	Ø 22.3 mm	ARRET D'URGENCE	704.963.2
	Plastic	Yellow	Ø 22.3 mm	NOT HALT	704.963.3
	Plastic	Yellow	Ø 22.3 mm	EN ISO 13850 symbol	704.963.4

### Additional information

- Front panel thickness 3 mm max.

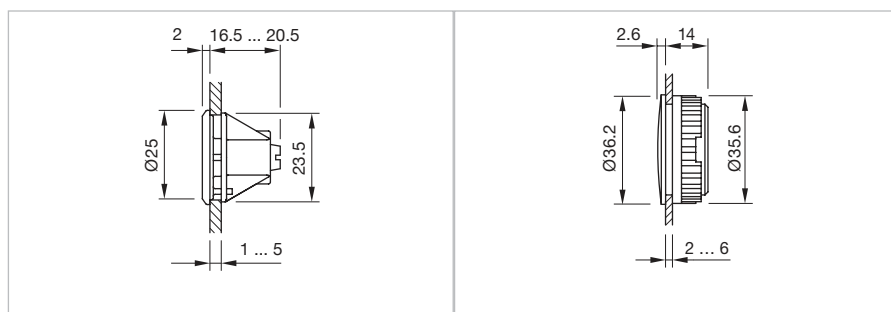


## Blind plug

Dimensions	Material	Colour	Mounting cut-out	Part No.
Ø 25 mm	Plastic	Black	Ø 25 mm	61-9453.0
Ø 36 mm	Plastic	Black	Ø 30.5 mm	704.964.8

### Additional information

- Please note that bigger minimum distances are necessary



Dimensions [mm]  
for Part No. 61-9453.0

Dimensions [mm]  
for Part No. 704.964.8



## Protective cap

Product attributes	Material	Colour	Optics	Part No.
For front bezel Ø 25 mm	Silicone	Colourless	transparent	84-9103.7

### Additional information

- For flat lens profile only
- When using the front protection cover the external sealing in the actuator has to be removed

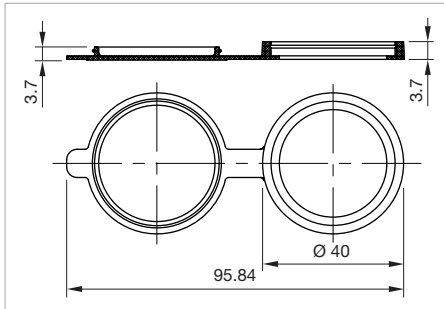


## Protection cover

Dimensions	Material	Colour	Part No.
Ø 36 mm	Plastic	Black	84-916

### Additional information

- When mounting the protective cover 84-916 make sure that the USB adapter is mounted in center position.



Dimensions [mm]

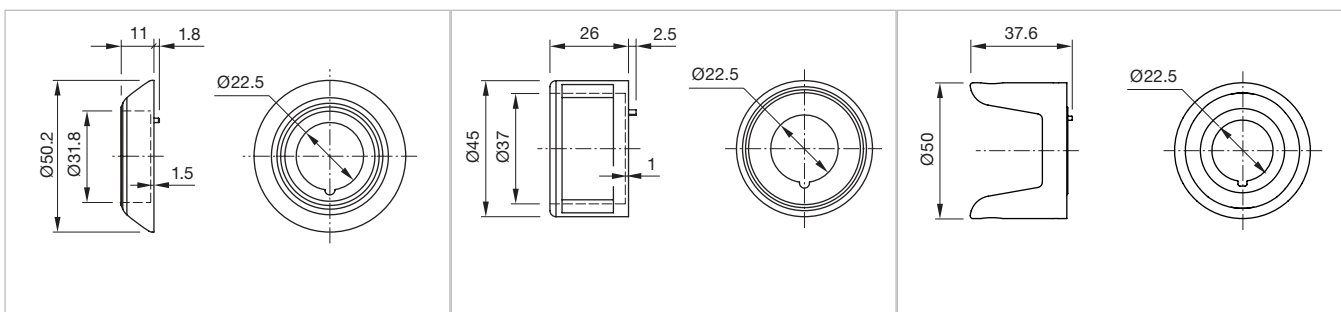


## E stop protective shroud

Dimensions	Material	Colour	Marking	Part No.
Ø 50 mm	Plastic	Yellow		84-902
	Plastic	Yellow	NOT - AUS	84-902A
	Plastic	Yellow	EMERGENCY STOP	84-902B
	Plastic	Yellow	NOT - HALT	84-902D
Ø 45 mm	Metal	Yellow		84-909
Ø 50 mm	Plastic	Yellow		84-906

### Additional information

- Front panel thickness 1 ... 3 mm
- With anti-twist device
- When using a protective shroud the e-stop or stop-switch has to be turned by 180° to be mounted. See dimensional drawing
- The protection shroud Part No. 84-909 is not suitable for a proper use of emergency-stop. It can obstruct a spontaneous operation of the emergency-stop switch
- This shroud Part No. 84-906 is not compliant to EN ISO 13850. There are no restrictions when combined with stop switches.



Dimensions [mm]  
for Part No. 84-902, 84-902A  
84-902B, 84-904C

Dimensions [mm]  
for Part No. 84-909

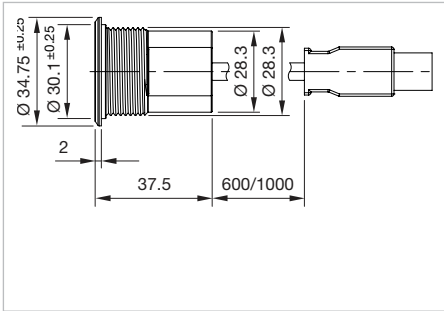
Dimensions [mm]  
for Part No. 84-906

# 84 Accessories



USB socket

Material	Colour	Part No.
Plastic	Black	84-3103.0000.1
	Black	84-3103.0000.2



Dimensions [mm]

Follow us.  
We are on LinkedIn!  
*EAO creates possibilities. Since 1947.*



**Come take a look at our LinkedIn profile today!** Be sure to give us a follow so that you can fully interact with us.

<https://www.linkedin.com/company/eao/>

[www.eao.com](http://www.eao.com)



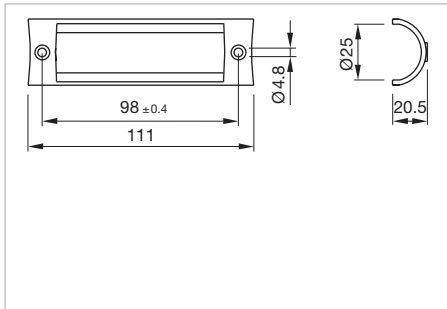
Your Expert Partner for Human Machine Interfaces

## Rear side



### Adaptor reducing to 25 mm

Product attributes	Material	Colour	Part No.
For housing, pole mounting 35 mm dia.	Plastic	Yellow	84-9300.4
	Plastic	Grey	84-9300.8

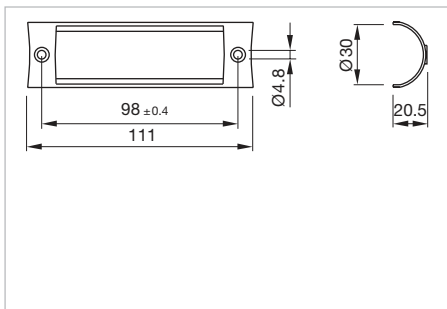


Dimensions [mm]



### Adaptor reducing to 30 mm

Product attributes	Material	Colour	Part No.
For housing, pole mounting 35 mm dia.	Plastic	Yellow	84-9700.4
	Plastic	Grey	84-9700.8



Dimensions [mm]



### Flat receptacle

Product attributes	Material	Part No.
2.8 x 0.8 mm plug-in terminal	Metal	84-9420



### Insulation sleeve

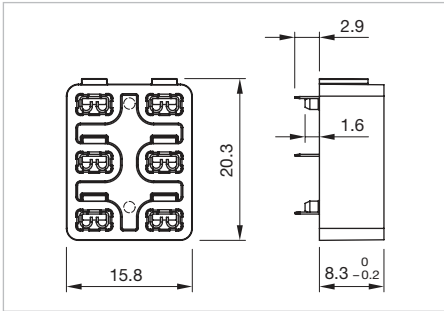
Product attributes	Material	Part No.
For flat receptacle 2.8 mm	Plastic	31-929

# 84 Accessories



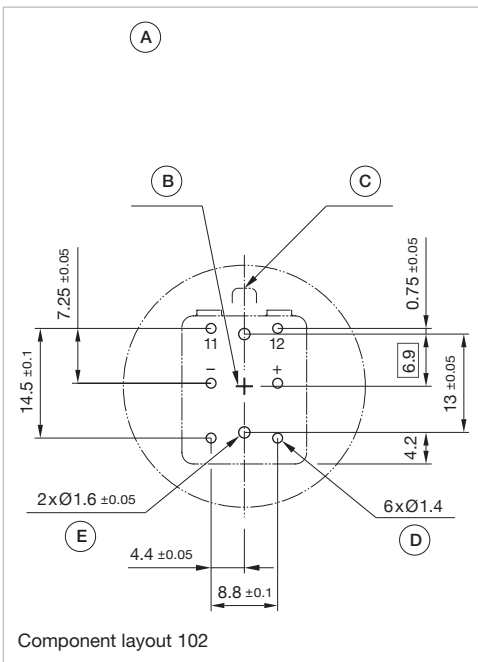
PCB plug-in base

Dimensions	Material	Terminal	Pins	Part No.	Component Layout
20.3 mm x 8.3 mm x 15.8 mm	Metal / plastic	PCB terminal	Axial	84-920	102



Dimensions [mm]

## Component layouts



Component layout 102

Dimensions [mm]

A = Drilling plan (component side)

B = Centre from switch

C = Anti-twist protection

D = Pins for contacts/LED

E = Positioning hole



Plug

Material	Part No.
Plastic	84-900

### Additional information

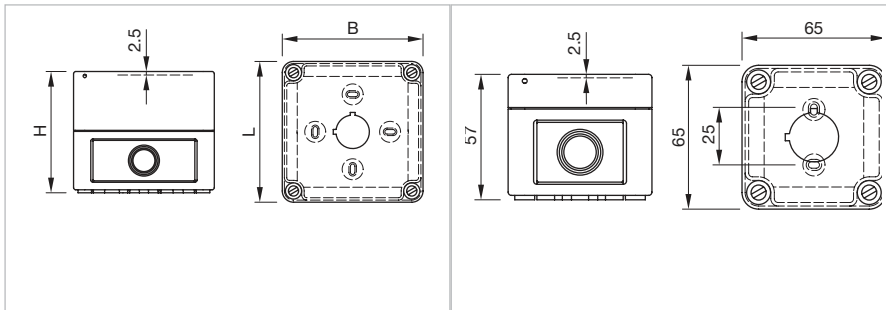
- For back protection IP67 of switching elements and illumination elements. Two plugs are necessary per element

## Mounting



### Enclosure

Product attributes	Dimensions	Material	Colour	IP Protection	Part No.
With mounting cut-out 1 x Ø 22.3 mm, with anti-twist device	94 mm x 81 mm x 94 mm	Plastic	Grey	IP66	704.945.1
With mounting cut-out 2 x Ø 22.3 mm, with anti-twist device	130 mm x 81 mm x 94 mm	Plastic	Grey	IP66	704.945.2
With mounting cut-out 3 x Ø 22.3 mm, with anti-twist device	180 mm x 81 mm x 94 mm	Plastic	Grey	IP66	704.945.3
With mounting cut-out 4 x Ø 22.3 mm, with anti-twist device	180 mm x 110 mm x 182 mm	Plastic	Grey	IP66	704.945.4
With mounting cut-out 6 x Ø 22.3 mm, with anti-twist device	180 mm x 110 mm x 182 mm	Plastic	Grey	IP66	704.945.5
Bottom grey similar RAL 7035; cover lead-sealable, yellow similar RAL 1004	65 mm x 57 mm x 65 mm	Plastic		IP66	84-910



Dimensions [mm]  
for Part No. 704.945.1, 704.945.2, 704.945.3,  
704.945.4, 704.945.5

Dimensions [mm]  
for Part No. 84-910



### Fixing nut

Product attributes	Dimensions	Material	Colour	Part No.
Standard version	Ø 30 mm	Plastic	Black	84-901
For emergency stop switch	Ø 28 mm	Plastic	Black	84-905
For emergency stop switch	Ø 30 mm	Plastic	Black	84-908
For emergency stop switch	Ø 25 mm	Metal	Silver	84-911



### Dismantling tool

Product attributes	Material	Part No.
For dismantling switching elements or lenses	Metal / plastic	84-918

# 84 Accessories

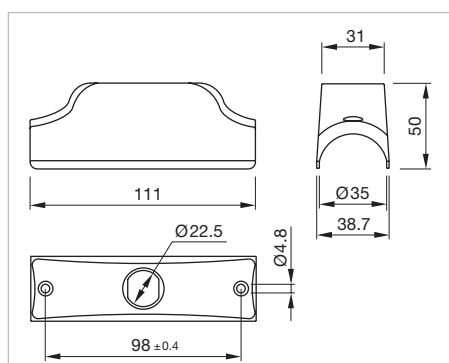


## Housing pole mounting 35 mm

Product attributes	Material	Colour	Part No.
Please note: The cut-out of the pole must read min. 22 mm and needs to be aligned with the switch	Plastic	Yellow	84-9500.4
	Plastic	Traffic blue	84-9500.6A
	Plastic	Grey	84-9500.8

### Additional information

- Screws are not contained in the scope of supply



Dimensions [mm]

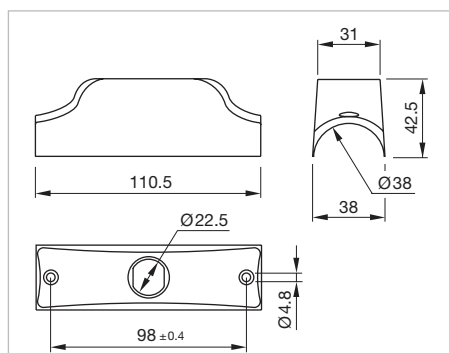


## Housing pole mounting 38 mm

Product attributes	Material	Colour	Part No.
Please note: The cut-out of the pole must read min. 22 mm and needs to be aligned with the switch	Plastic	Yellow	84-9600.4
	Plastic	Grey	84-9600.8

### Additional information

- Screws are not contained in the scope of supply



Dimensions [mm]



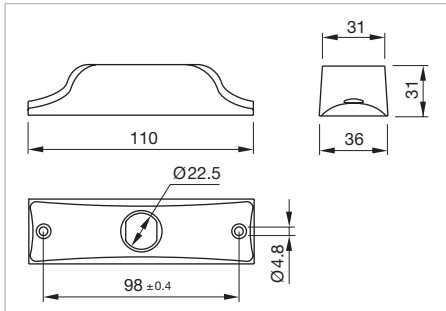


## Housing wall mounting

Material	Colour	Part No.
Plastic	Yellow	84-9800.4
Plastic	Grey	84-9800.8

### Additional information

- Screws are not contained in the scope of supply



Dimensions [mm]



## Cable gland

Product attributes	Material	Colour	IP Protection	Thread	Part No.
With traction relief	Plastic	Grey	IP68	M16 x 1.5 mm	61-9481.6
	Plastic	Grey	IP68	M20 x 1.5 mm	704.945.6



## Mounting tool

Product attributes	Dimensions	Material	Part No.
For tightening or loosening the fixing nut, for emergency-stop and stop-switch		Plastic	84-996
For tightening or loosening of the fixing nut Ø 22 mm	Ø 22 mm	Metal	84-997

## Emergency-stop

### Switching system

The double-break switching system can be supplied for the following switching functions:

1 Normally closed, 2 Normally closed, 1 Normally closed + 1 Normally open.

The Normally closed contacts have forced opening according to EN 60947-5-5

### Material

#### Connection cable

Plastic, operating temperature up to +65 °C

#### Mushroom-head cap

Plastic, as per UL 94 V0

#### Actuator housing

Plastic, as per UL 94 V0

#### Material of contact

Silver alloy gold plated

### Mechanical characteristics

#### Front panel thickness

Standard 1 ... 4 mm

with emergency stop protective shroud Part No. 84-902 1 ... 3 mm

#### Mounting cut-outs

Ø22.3 mm as per EN IEC 60947-5-1 with anti-twist device

#### Terminals

Soldering terminals 2.8 mm x 0.5 mm (solderable), CuSn6 tin-plated  
Flat ribbon cable 2-, 4-, or 6-poles 0.35 mm<sup>2</sup> (AWG 22)

#### Tightening torque

Fixing nut 0.8 Nm

#### Actuating force

17 N ± 4 N

#### Actuating travel

Approx. 5 mm

#### Mechanical lifetime

250 000 cycles of operations

### Electrical characteristics

#### Standards

The devices comply with: EN IEC 60947-5-1, EN IEC 60947-5-5 (emergency stop), DIN EN ISO 13850, EN IEC 60204

### Illumination

LED red with pole reversal, constant current source

Operation Voltage 5 VDC ... 30 VDC

Current consumption 9.7 mA ... 12.4 mA

#### Rated Operational Voltage $U_o$

250 VAC, as per EN IEC 60947-1

#### Rated Insulation Voltage $U_i$

250 V, as per EN IEC 60947-1

#### Rated Impulse Withstand Voltage $U_{imp}$

4 kV, as per EN IEC 60947-1

#### Electrical life

50 000 cycles of operations

(inductive  $\cos\phi$  0,95) as per EN IEC 60947-5-1

#### Air thermal $I_{th}$

5 A (plug in)

3 A (cable leads)

#### Switching voltage and switching current

Switch rating AC with silver contact (gold plated), service category AC-15, as per EN IEC 60947-5-1

Voltage 120 VAC 240 VAC

Current 3 A 1.5 A

Switch rating DC for silver contact (gold plated), service category DC-13, as per EN IEC 60947-5-1

NO contacts (48 VA)	NC contacts (60 VA)	NO/NC contacts
12 VDC/2.0 A	12 VDC/2.5 A	125 VDC/0.22 A
24 VDC/2.0 A	24 VDC/2.5 A	250 VDC/0.11 A
48 VDC/1.0 A	48 VDC/1.25 A	
60 VDC/0.8 A	60 VDC/1.0 A	

#### Recommended minimum operating data

Silver contacts (gold plated)

Voltage 1 VAC/DC

Current 1 mA

#### Electric strength

500 VAC, 50 Hz, 1 minute, as per DIN IEC 60512-2

#### Rated conditional short-circuit current

1000 A, type of short-circuit unit 6 A gG, as per EN IEC 60947-5-1

#### Protection class

Class II, as per EN IEC 60947-5

## Overvoltage category

III, as per EN IEC 60947-1

## Degree of pollution

3, as per EN IEC 60947-1

## Ambient conditions

### Storage temperature

-25 °C ... +80 °C

### Operating temperature

-25 °C ... +70 °C

### Front protection

IP65 front side, as per EN IEC 60529

IP66 front side, as per EN IEC 60529

IP67 front side, as per EN IEC 60529

IP20 (cable lead connection)

### Impact resistance

IK07, as per IEC 62262

### Shock resistance

(semi-sinusoidal)

Max. 150 m/s<sup>2</sup>, pulse width 11 ms, 3-axis,

as per EN IEC 60068-2-27

### Vibration resistance

(sinusoidal)

Max. 50 m/s<sup>2</sup> at 10 Hz ... 500 Hz, 10 cycles, 3-axis,

as per EN IEC 60068-2-6

## Climate resistance

Damp heat, cyclic

96 hours, +25 °C/97 %, +55 °C/93 % relative humidity, as per EN IEC 60068-2-30

Damp heat, steady

56 days, +40 °C/93 % relative humidity,

as per EN IEC 60068-2-78

Dry heat

96 hours, +65 °C, as per EN IEC 60068-2-2

Low temperature

96 hours, -25 °C, as per EN IEC 60068-2-1

Saline mist

96 hours, +35 °C in chemical solution NaCl,

as per EN IEC 60068-2-11

## Approvals

### Approbations

CB (IEC 60947-5-1, IEC 60947-5-5)

UL NISD

CCC

### Declaration of conformity

CE

2006/42/EC (MD)

2011/65/EC (RoHS)

## Switching element illuminated pushbutton

### Switching system

Short-travel switching system with 2 independent contact points and tactile operation.

Guarantees reliable switching even of very light loads.

Fitted with 1 normally open contact.

### Material

#### Connection cable

Plastic, short-time heat-resistant up to 105 °C

#### Material of contact

Silver alloy gold plated

#### Switching element

Plastic, as per UL 94 V0 and

Plastic, as per UL 94 HB

### Mechanical characteristics

#### Terminals

Plug-in terminals 2.8 mm x 0.8 mm (solderable)

Flat ribbon cable 0.5 mm<sup>2</sup>

PCB terminal

#### Actuating force

4.0 N ± 0.2 N

#### Tightening torque

Fixing screw mounting flange 0.4 Nm

#### Actuating travel

~0.5 mm

#### Resistance to heat of soldering

250 °C, 3 s (PCB assembly)

320 °C, 3 s (when using a soldering iron)

# 84 Technical data

## Mechanical lifetime

≥ 1 million cycles of operations

## Electrical characteristics

### Illumination

Single-Chip LED, green, orange, red, yellow, white and blue

Operation Voltage 12 VDC 24 VDC  
Current consumption 10 mA 10 mA

### Electrical life

as per EN IEC 60512-5

5 million cycles of operation	24 VAC, 50 mA at 480 Ω
5 million cycles of operation	24 VAC, 100 mA at 240 Ω
2 million cycles of operation	42 VAC, 50 mA at 840 Ω
2 million cycles of operation	42 VAC, 100 mA at 420 Ω
300 000 cycles of operation	42 VAC, 100 mA at $\cos\varphi$ 0.4
250 000 cycles of operation	42 VAC, 200 mA at $\cos\varphi$ 0.395
1 million cycles of operation	12 VDC, 250 mA at 48 Ω
1 million cycles of operation	24 VDC, 50 mA at 480 Ω
1 million cycles of operation	24 VDC, 100 mA at 240 Ω
5 million cycles of operation	42 VDC, 25 mA at 1680 Ω
1.5 million cycles of operation	42 VDC, 50 mA at 840 Ω
100 000 cycles of operation	42 VDC, 100 mA at 420 Ω
500 000 cycles of operation	24 VDC, 200 mA at L/R = 30 ms
300 000 cycles of operation	42 VDC, 100 mA at L/R = 30 ms
100 000 cycles of operation	42 VDC, 200 mA at L/R = 30 ms

## Switching voltage and switching current

Voltage 50 mVAC/DC ... 42 VAC/DC  
Current 10 µA ... 100 mA  
Power max. 2 W

## Electric strength

500 VAC, 50 Hz, 1 minute, as per DIN IEC 60512-2

## Ambient conditions

### Storage temperature

-40 °C ... +85 °C

### Operating temperature

-25 °C ... +70 °C

## Protection degree

Back protection:  
IP40, standard version  
IP67, fully sealed version, with mounted actuator only.

## Shock resistance

(semi-sinusoidal)  
Max. 100 m/s<sup>2</sup>, pulse width 11 ms, 3-axis,  
as per EN IEC 60068-2-27

## Vibration resistance

(sinusoidal)  
Max. 50 m/s<sup>2</sup> at 10 Hz ... 500 Hz, 10 cycles, 3-axis,  
as per EN IEC 60068-2-6

## Switching element Halo Compact

### Switch configuration

A complete switch requires a halo compact programmable switch actuator body (transparent) and a lens. If the switch needs lens illumination in addition then a translucent plastic lens or aluminium lens with a window is required.

Use Halo Compact with illuminated pushbutton actuator (Part No. 84-1081.7) or with the indicator actuator (Part No. 84-0080.7).

The illumination style is selected by the connection of 24V to the pins.

### Material

#### Housing

Plastic  
Plastic (sealing compound)

### Material of contact

Silver alloy, gold-plated  
The materials used comply with the high EAO standards relating to quality, functional safety, service life and design.

## Mechanical characteristics

### Terminals

Soldering/plug-in terminals  
2.8 mm x 0.8 mm (solderable)

### Actuating force

4.0 N ± 0.2 N  
(measured at the lens)

### Actuating distance

~ 0.5 mm

### Mechanical lifetime

≥ 1 million cycles of operation

## Electrical characteristics

### Switching element

Short-travel snap-action switching system with two independent contact points and tactile operation.

Number of contacts: one normal open contact

### Output

Electronic high-side switch

### Pre-configured light sequences

- Full illumination
- Blinking (interval: 1 second)
- Rotating/chasing (one full rotation per second)
- Process (changeover a group of 4 LEDs per second)

### Special feature

Integrated electronic switch for maintained action (High-side switch)

### Operating voltage

24VDC ± 10 %

Max. 100 mA

### Current consumption

< 80 mA

### LED-colours

All versions available with eight SMD LEDs for halo illumination plus one single LED (3mm) for central illumination. The following variants are available:

- 8 x red LEDs + 1 white single LED
- 8 x green LEDs + 1 white single LED
- 8 x yellow LEDs + 1 white single LED
- 8 x white LEDs + 1 white single LED
- 8 x blue LEDs + 1 white single LED
- 8 x red/green bi-colour LEDs + 1 white single LED

Light sequences central LED		IN1	IN2	IN3
not illuminated	illuminated			
1	–	0VDC	0VDC	0VDC
2	–	+24VDC	0VDC	0VDC
3	–	0VDC	+24VDC	0VDC
4	–	+24VDC	+24VDC	0VDC
–	5	0VDC	0VDC	+24VDC
–	6	+24VDC	0VDC	+24VDC
–	7	0VDC	+24VDC	+24VDC
–	8	+24VDC	+24VDC	+24VDC

\* Functionen of light sequence:

1/5 = Full illumination

2/6 = Blink

3/7 = Rotation

4/8 = Process

## Ambient conditions

### Storage temperature

–40 °C ... +85 °C

### Operating temperature

–25 °C ... +70 °C

### Degree of protection

IP67 front side

(with actuator Part No. 84-1081.7 and 84-0080.7)

### Shock resistance

(semi-sinusoidal)

Max. 100 m/s<sup>2</sup>, pulse width 6 ms, 3-axis, as per EN IEC 60068-2-27

### Vibration resistance

(sinusoidal)

Max. 50 m/s<sup>2</sup> at 10 Hz... 500 Hz, 10 cycles, 3-axis, as per EN IEC 60068-2-6

## Approvals

### Conformities

CE

2014/30/EU (EMC)

2011/65/EC (RoHS)

## Actuator

### Material

**Lens**  
Plastic, as per UL 94 V2 or Aluminium anodised

**Actuator housing**  
Plastic, as per UL 94 V0 or Aluminium anodised

### Mechanical characteristics

**Tightening torque**  
Fixing nut max. 80Ncm

**Actuating force**  
4.0N ±0.2N (measured at the lens)

**Actuating travel**  
1.2mm

**Mechanical lifetime**  
≥ 1 million cycles of operation

### Electrical characteristics

**Electrostatic breakdown value**  
Plastic case ≥15kV  
Aluminium case ≥5kV  
as per IEC 61000-4-2, mounted in plastic front panel

### Ambient conditions

**Storage temperature**  
-40 °C ... +85 °C

**Operating temperature**  
-25 °C ... +70 °C

**Protection degree**  
IP 67 and IP40 front side, as per EN IEC 60529

**Climate resistance**  
Damp heat, cyclic  
96 hours, +25 °C/97 %, +55 °C/93 % relative humidity,  
as per EN IEC 60068-2-30

Damp heat, state  
56 days, +40 °C/93 % relative humidity,  
as per EN IEC 60068-2-78

Rapid change of temperature  
100 cycles, -40 °C ... +80 °C, as per EN IEC 60068-2-14

### Approvals

**Approbations**  
EBC (TSI/PRM)  
NFF

**Conformities**  
CE  
2011/65/EC (RoHS)

## IO-Link Touch

### Electrical characteristics

**Operating voltage**  
8.4 ... 32V

**Load current**  
max. 200mA

**Current consumption with 24V**  
max. 40mA

**Output**  
Adjustable PNP/NPN; NO/NC

**Output pulse length**  
Adjustable

### Illumination

**RGB LED**  
Configurable colours (16 million colour variants)

### Ambient conditions

**Storage temperature**  
-30°C ... +65°C

**Protection degree**  
IP69K front side

**Impact resistance**  
IK08

**Climate resistance**  
Relative humidity:  
max. 95 %, non condensing

### Approvals

**Approbations**  
CSA  
EHEDG

**Conformities**  
CE





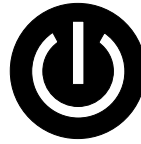
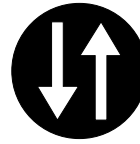




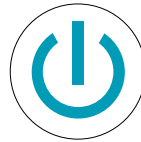
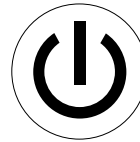



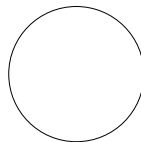
- 01
- 02
- 03
- 04
- 09
- 14
- 17
- 18
- 19
- 22
- 31
- 41
- 45
- 51
- 56
- 57
- 61
- 70
- 71
- 82
- 84**
- 92
- 96

# 84 Marking

## IO-Link Touch – Standard Symbols

**Please note**

- BXX symbols are illuminated
- CXX symbols are printed on
- Further standard symbols and also customised symbols possible

 Symbol B10	 Symbol B11	 Symbol B12	 Symbol B13	 Symbol B14	 Symbol B15
 Symbol C10	 Symbol C11	 Symbol C12	 Symbol C13	 Symbol C14	 Symbol C16
 Symbol C17	 Symbol C18	 Symbol C19	 Symbol C20		



## Suppressor circuits

When switching inductive loads such as relays, DC motors, and DC solenoids, it is always important to absorb surges (e.g. with a diode) to protect the contacts. When these inductive loads are switched off, a counter emf can severely damage switch contacts and greatly shorten lifetime.

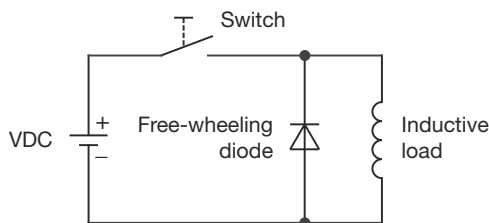
Fig. 1 shows an inductive load with a free-wheeling diode connected in parallel. This free-wheeling diode provides a path for the inductor current to flow when the current is interrupted by the switch. Without this free-wheeling diode, the voltage across the coil will be limited only by dielectric breakdown voltages of the circuit or parasitic elements of the coil. This voltage can be kilo-

volts in amplitude even when nominal circuit voltages are low (e.g. 12 VDC) see Fig. 2.

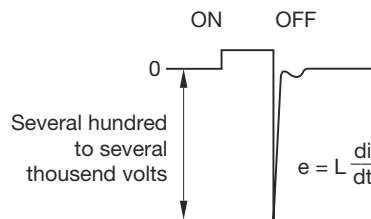
The free-wheeling diode should be chosen so that the reverse breakdown voltage is greater than the voltage driving the inductive load. The DC blocking voltage ( $V_R$ ) of the free-wheeling diode can be found in the datasheet of a diode. The forward current should be equal or greater than the maximum current flowing through the load.

**To get an efficient protection, the free-wheeling diode must be connected as close as possible to the inductive load!**

Switching with inductive load  
Fig. 1



Counter EMF  
over load without free-wheeling diode  
Fig. 2



## Note for soldering

Process parameter for wave soldering

Basic specification for wave soldering J-STD 75 W4C.

Maximum temperature on the component side (Temp 2):  
(Temperature must not exceed during the entire processing)

120 °C

Preheating phase (t1 ... t2):

70 ... 120 sec

Ramp up:

typ. +1 °C/sec

Ramp up to maximum temperature (t2 ... t3):

not defined

Maximum temperature on the soldering side (Temp 3):

250 °C

Maximum time of soldering process (t3 ... t4):

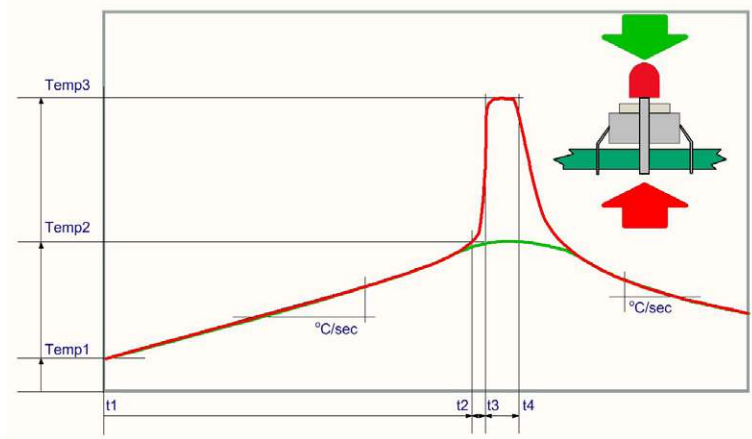
3 sec

Ramp down at 170 °C:

typ. -2 °C/sec

# 84 Application guidelines

## Temperature curve wave soldering



Green curve: Temperature on the component side of the pcb  
 Red curve: Temperature on the soldering side of the pcb

Room temperature: Temp 1

Preheating: Temperature process = Temp 1 ... Temp 2  
 Process time = t1 ... t2

Ramp up to soldering temperature: Process time = t2 ... t3

Soldering phase: Temperature process = Temp 3  
 Process time = t3 ... t4

### Iron soldering

Basic specification for iron soldering IEC 60068-2-20

Maximum temperature at tip of iron: 320 °C  
 Maximum soldering time: 3 sec

### Cleaning/Lacquering

The switching elements are not sealed. Cleaning up the PCB may damage the contacts in the switching elements. For this reason, the following points should be noted:

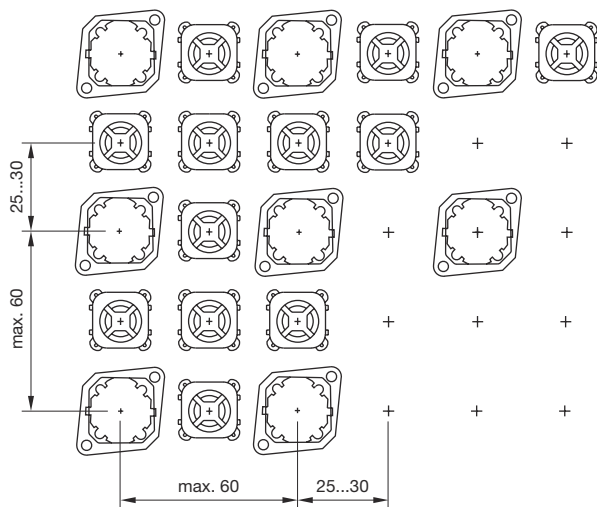
- When soldering make sure that the flux does not pass on the upper side of the PCB.
- When cleaning the PCB with detergents ensure that no dust or other debris may get inside of the switching elements.
- Ensure that no lacquer penetrates into the interior of the switching element when lacquering the PCB.

### Storage of components

To obtain the optimum solderability of the components, the following points should be noted during storage:

- Do not store components in locations with high temperature or humidity.
- Do not expose components to corrosive gases.
- Avoid direct sunlight for a long period.

## Arrangement mounting flange for switching- and illumination element, PCB mounting



The arrangement of the mounting flanges and their number is determined by the size of the front panel or PCB. To ensure uniform, tactile switching, we recommend a layout of the flanges as per adjacent sketch.

For large PCBs with several switching elements we recommend the following procedure:

1. Fit the actuator to the front panel.
2. Clip the mounting flange to the rear of the intended actuator.
3. Screw the PCB with the components soldered to it to the assembled mounting flange.

This arrangement applies to PCBs 1.6 mm thick.

### Dismantling mounting flange

The tool Part No. 84-998 must be used for removing the mounting flange from the actuator.

Before removing the flange, the PCB fixing screws must be loosened.

# 84 Index

Part No.	Page	Part No.	Page	Part No.	Page	Part No.	Page	Part No.	Page
10-2601.3172S.....	38	84-2101.0.....	13	84-7125.800.....	35	84-8511.2640.....	40	84-ADKS-B12-04AC...22	
10-2601.3173S.....	38	84-3100.0.....	15	84-7201.000.....	37	84-8511.3320.....	39	84-ADKS-B13-04AD...22	
10-2603.3174S.....	38	84-3100.0.....	16	84-7201.200.....	37	84-8511.3340.....	40	84-ADKS-B14-04AE...22	
10-2603.3175S.....	38	84-3103.0000.1.....	52	84-7201.400.....	37	84-8511.3620.....	39	84-ADKS-B15-04AF...22	
10-2603.3176S.....	38	84-3103.0000.2.....	52	84-7201.500.....	37	84-8511.3640.....	40	84-ADKS-C10-04B0...22	
10-2603.3178S.....	38	84-5220.0020.....	29	84-7201.600.....	37	84-8511.4320.....	39	84-ADKS-C11-04B1...22	
10-2603.320AL.....	39	84-5220.0040.....	29	84-7201.800.....	37	84-8511.4340.....	40	84-ADKS-C12-04B2...22	
10-2603.320CL.....	39	84-5221.2B20.....	29	84-7202.000.....	37	84-8511.4620.....	39	84-ADKS-C14-04B3...22	
31-929.....	53	84-5221.2B40.....	29	84-7202.000A.....	34	84-8511.4640.....	40	84-ADKS-C16-04B4...22	
61-9453.0.....	50	84-5230.0020.....	29	84-7202.200.....	37	84-8511.5320.....	39	84-ADKS-C17-04B5...22	
61-9481.6.....	57	84-5230.0040.....	29	84-7202.200A.....	34	84-8511.5340.....	40	84-ADKS-C18-04B6...22	
61-9707.7.....	38	84-5231.2B20.....	29	84-7202.400.....	37	84-8511.5620.....	39	84-ADKS-C19-04B7...22	
61-9980.0.....	49	84-5231.2B40.....	29	84-7202.400A.....	34	84-8511.5640.....	40	84-ADKS-C20-04B8...22	
704.945.1.....	55	84-5240.0020.....	29	84-7202.500.....	37	84-8511.6320.....	39	84-ASKS-C11-04B1...20	
704.945.2.....	55	84-5240.0040.....	29	84-7202.500B.....	34	84-8511.6340.....	40	84-ASKS-B11-049D...20	
704.945.3.....	55	84-5241.2B20.....	29	84-7202.600.....	37	84-8511.6620.....	39	84-ASKS-B12-049E...20	
704.945.4.....	55	84-5241.2B40.....	29	84-7202.600A.....	34	84-8511.6640.....	40	84-ASKS-B13-049F...20	
704.945.5.....	55	84-5241.8D20.....	32	84-7205.000.....	37	84-8511.9320.....	39	84-ASKS-C17-04A0...20	
704.945.6.....	57	84-5241.8D40.....	32	84-7205.000A.....	34	84-8511.9340.....	40	84-ASKS-B15-04A1...20	
704.963.0.....	50	84-5320.0020.....	29	84-7205.000A.....	34	84-8511.9620.....	39	84-ASKS-C10-04A2...20	
704.963.1.....	50	84-5320.0040.....	30	84-7205.000A.....	34	84-8511.9640.....	40	84-ASKS-C11-04A3...20	
704.963.2.....	50	84-5321.2B20.....	30	84-7205.200.....	37	84-8515.7640.....	41	84-ASKS-C12-04A4...20	
704.963.3.....	50	84-5321.2B40.....	30	84-7205.200A.....	34	84-8515.8640.....	41	84-ASKS-C14-04A5...20	
704.963.4.....	50	84-5330.0020.....	30	84-7205.400.....	37	84-8716.2620.....	46	84-ASKS-C16-04A6...20	
704.963.5.....	50	84-5330.0040.....	30	84-7205.400A.....	34	84-8716.4620.....	46	84-ASKS-C17-04A7...20	
704.963.6.....	50	84-5331.2B20.....	30	84-7205.500.....	37	84-8716.5620.....	46	84-ASKS-C18-04A8...20	
704.963.7.....	50	84-5331.2B40.....	30	84-7205.500A.....	34	84-8716.6620.....	46	84-ASKS-C19-04A9...20	
704.963.8.....	50	84-5340.0020.....	30	84-7205.600.....	37	84-8716.8620.....	46	84-ASKS-C20-049B...20	
704.963.9.....	50	84-5340.0040.....	30	84-7205.600A.....	34	84-8716.9620.....	46	92-800.042.....	47
704.964.8.....	50	84-5341.2B20.....	30	84-7205.800.....	37	84-900.....	54	92-851.342.....	42
704.968.0.....	49	84-5341.2B40.....	30	84-7205.800A.....	34	84-901.....	55	92-960.0.....	48
704.968.1.....	49	84-5341.8D20.....	32	84-7205.804A.....	34	84-902.....	51		
84-0080.7.....	19	84-5341.8D40.....	32	84-7205.805A.....	34	84-902A.....	51		
84-0090.7.....	17	84-6220.0020.....	26	84-7205.806A.....	34	84-902B.....	51		
84-0090.7.....	18	84-6220.0040.....	26	84-7205.808A.....	34	84-902D.....	51		
84-0100.0.....	15	84-6821.2B20.....	26	84-7211.000.....	37	84-905.....	55		
84-0100.0.....	16	84-6821.2B40.....	26	84-7211.200.....	37	84-906.....	51		
84-0200.7.....	15	84-6830.0020.....	26	84-7211.400.....	37	84-908.....	55		
84-0200.7.....	16	84-6830.0040.....	26	84-7211.500.....	37	84-909.....	51		
84-1081.7.....	10	84-6831.2B20.....	26	84-7211.600.....	37	84-910.....	55		
84-1091.7.....	8	84-6831.2B40.....	26	84-7211.800.....	37	84-9103.7.....	50		
84-1091.7.....	9	84-6840.0020.....	26	84-7215.000.....	37	84-911.....	55		
84-1101.0.....	4	84-6840.0040.....	26	84-7215.200.....	37	84-916.....	51		
84-1101.0.....	6	84-6841.2B20.....	26	84-7215.400.....	37	84-918.....	55		
84-1101.0.....	11	84-6841.2B40.....	26	84-7215.500.....	37	84-920.....	54		
84-1101.0.....	13	84-7111.200.....	35	84-7215.600.....	37	84-9300.4.....	53		
84-1201.0.....	4	84-7111.201.....	36	84-7215.800.....	37	84-9300.8.....	53		
84-1201.0.....	6	84-7111.202.....	36	84-8001.2320.....	43	84-9420.....	53		
84-1201.0.....	11	84-7111.203.....	36	84-8001.2340.....	44	84-9500.4.....	56		
84-1201.0.....	13	84-7111.300.....	35	84-8001.2620.....	43	84-9500.6A.....	56		
84-1201.2.....	4	84-7111.301.....	36	84-8001.2640.....	44	84-9500.8.....	56		
84-1201.2.....	6	84-7111.400.....	35	84-8001.3620.....	43	84-960.0.....	48		
84-1201.2.....	11	84-7111.401.....	36	84-8001.3640.....	44	84-9600.4.....	56		
84-1201.2.....	13	84-7111.500.....	35	84-8001.4320.....	43	84-9600.8.....	56		
84-1201.4.....	4	84-7111.501.....	36	84-8001.4340.....	44	84-9700.4.....	53		
84-1201.4.....	6	84-7111.502.....	36	84-8001.4620.....	43	84-9700.8.....	53		
84-1201.4.....	11	84-7111.503.....	36	84-8001.4640.....	44	84-9800.4.....	57		
84-1201.4.....	13	84-7111.600.....	35	84-8001.5320.....	43	84-9800.8.....	57		
84-1201.5.....	4	84-7111.601.....	36	84-8001.5340.....	44	84-996.....	57		
84-1201.5.....	6	84-7111.602.....	36	84-8001.5620.....	43	84-997.....	57		
84-1201.5.....	11	84-7111.603.....	36	84-8001.5640.....	44	84-ACKS-B10-04B9...24			
84-1201.5.....	13	84-7111.700.....	35	84-8001.6320.....	43	84-ACKS-B11-04BA...24			
84-1201.6.....	4	84-7111.701.....	36	84-8001.6620.....	43	84-ACKS-B12-04BB...24			
84-1201.6.....	6	84-7111.702.....	36	84-8001.6640.....	44	84-ACKS-B13-04BC...24			
84-1201.6.....	11	84-7111.703.....	36	84-8001.9320.....	43	84-ACKS-B14-04BD...24			
84-1201.6.....	13	84-7114.600A.....	38	84-8001.9340.....	44	84-ACKS-B15-04BE...24			
84-1201.7.....	4	84-7115.200.....	35	84-8001.9620.....	43	84-ACKS-C10-04BF...24			
84-1201.7.....	6	84-7115.300.....	35	84-8001.9640.....	44	84-ACKS-C11-04C0...24			
84-1201.7.....	11	84-7115.400.....	35	84-8005.7620.....	45	84-ACKS-C12-04C1...24			
84-1201.7.....	13	84-7115.500.....	35	84-8005.7640.....	45	84-ACKS-C14-04C2...24			
84-1221.7.....	5	84-7115.600.....	35	84-8005.8620.....	45	84-ACKS-C16-04C3...24			
84-1221.7.....	6	84-7115.700.....	35	84-8005.8640.....	45	84-ACKS-C17-04C4...24			
84-1221.7.....	12	84-7121.000.....	35	84-8510.0020.....	41	84-ACKS-C18-04C5...24			
84-1221.7.....	13	84-7121.800.....	35	84-8510.0040.....	41	84-ACKS-C19-04C6...24			
84-2101.0.....	4	84-7124.000A.....	38	84-8511.2320.....	39	84-ACKS-C20-04C7...24			
84-2101.0.....	6	84-7124.200A.....	38	84-8511.2340.....	40	84-ADKS-B10-04AA...22			
84-2101.0.....	11	84-7125.000.....	35	84-8511.2620.....	39	84-ADKS-B11-04AB...22			