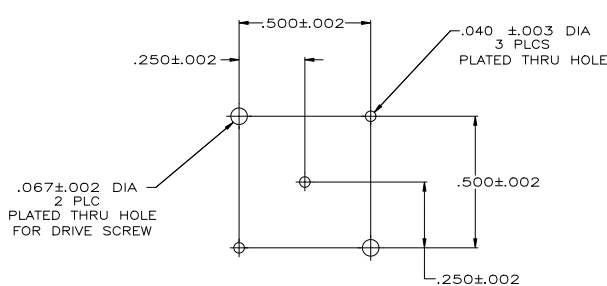
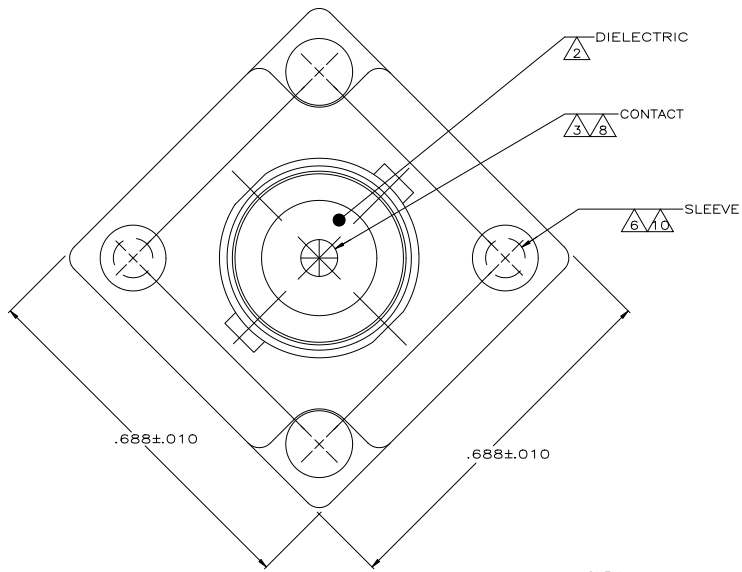
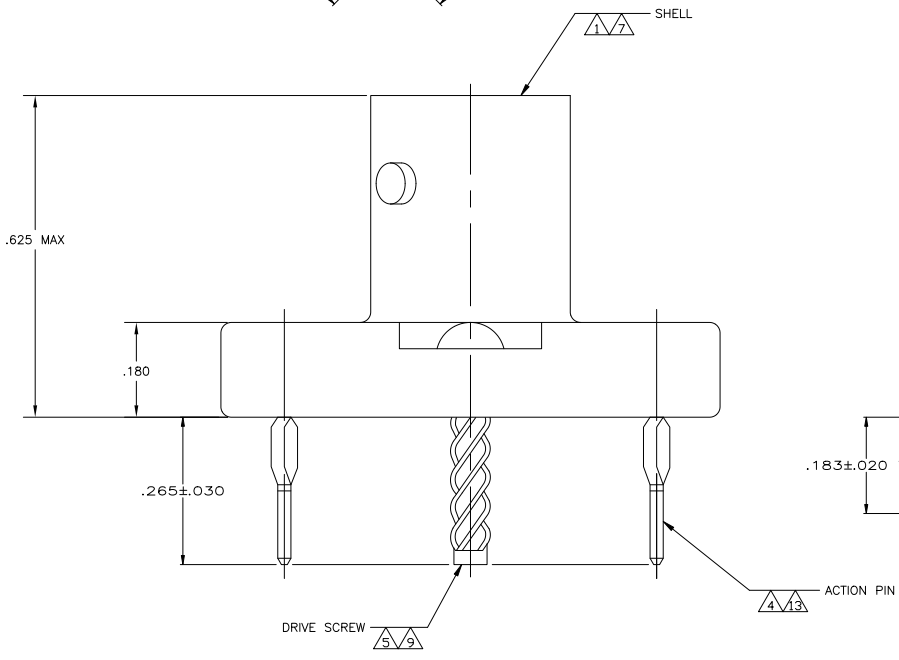


| REVISIONS | | | | |
|-----------|---------------|-------------|----|-------|
| REV | DATE | DESCRIPTION | BY | APP'D |
| A1 | ECO-15-013027 | | RZ | RS |

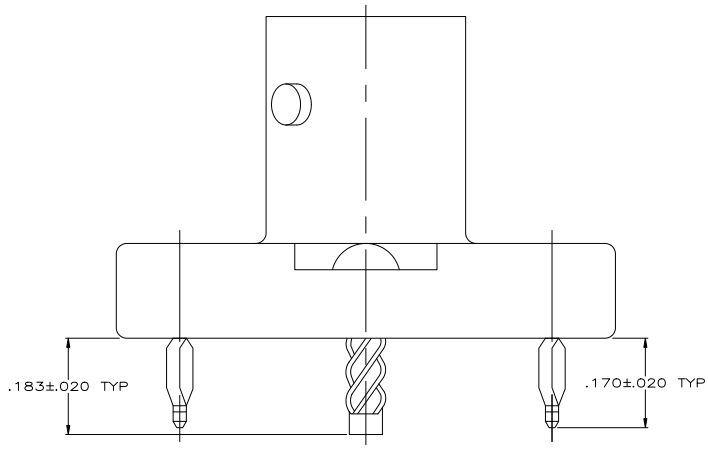


PCB CONFIGURATION
SCALE 4:1

- △ ZINC PER QQ-Z-363
- △ PTFE PER MIL-P-19468
- △ BERYLLIUM COPPER PER QQ-C-530
- △ COPPER NICKEL ALLOY PER ASTM-B-122
- △ STAINLESS STEEL PER ASTM-A-582
- △ BRASS PER QQ-B-626
- △ NICKEL PLATE PER QQ-N-290, .000200 MINIMUM THICKNESS
- △ GOLD PLATE PER MIL-G-45204, .000030 - .000055 MINIMUM THICKNESS
- △ PASSIVATE PER QQ-P-35
- △ TIN PLATE PER ASTM-B-545, .000100 - .000200 MINIMUM THICKNESS
- △ 1. PREPARE BOARD AND TERMINATE PER APPLICATION SPEC 114-12001
- 1.2. SEE INSTRUCTION SHEET 408-9194.
- △ 1.3. GOLD PLATE PER MIL-G-45204.



VIEW A



VIEW B
SAME AS VIEW A
EXCEPT AS SHOWN

| | |
|------------|-------------|
| A | 5221336-4 |
| Obsolete B | 5221336-3 |
| VIEW | PART NUMBER |

THIS DRAWING IS A CONTROLLED DOCUMENT.

| | | | |
|-------------------------------------|--|------------------------------|--|
| DESIGNED BY: J. ALCORTA - 21APR2005 | APPROVED BY: J. HAVENER - 21APR2005 | NAME: J. LIPPERT - 21APR2005 | TE Connectivity Ltd. |
| DIMENSIONS: INCHES | TOLERANCES UNLESS OTHERWISE SPECIFIED: | PRODUCT SPEC: 108-12103 | JACK, PCB, PRESS FIT, 75 OHM, COMMERCIAL BNC |
| 0 PLC ± .0005 | 1 PLC ± .0008 | APPLICATION SPEC: 7 | RESTRICTED TO: - |
| 2 PLC ± .0010 | 3 PLC ± .0015 | SIZE: A1 | DATE CODE: 100779 |
| 4 PLC ± .0020 | 5 PLC ± .0030 | WEIGHT: 0.000000 | DRAWING NO: C=5221336 |
| MATERIAL: THRU △ | FINISH: THRU △ | SCALE: 8:1 | SHEET: 1 of 1 |
| CUSTOMER DRAWING | | REV: A1 | |