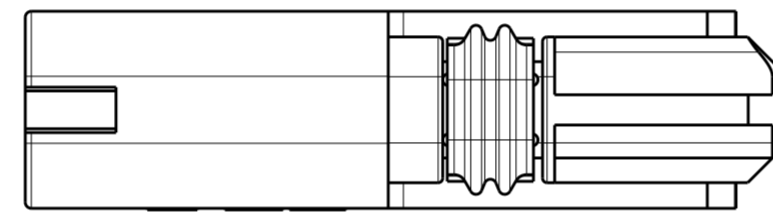
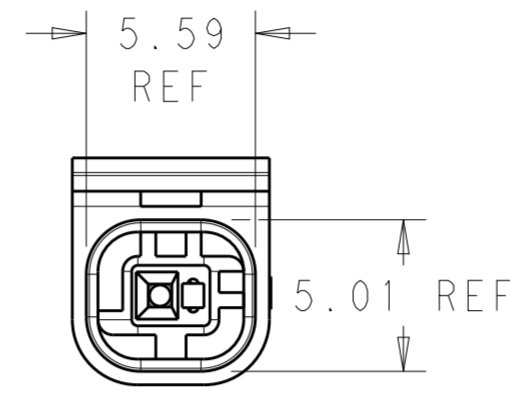
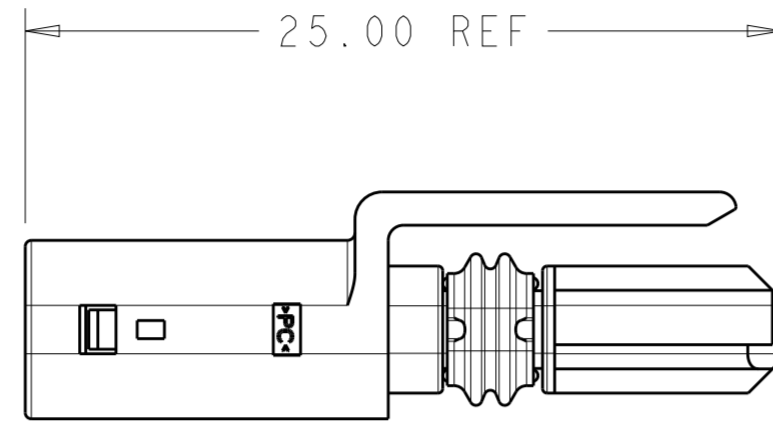
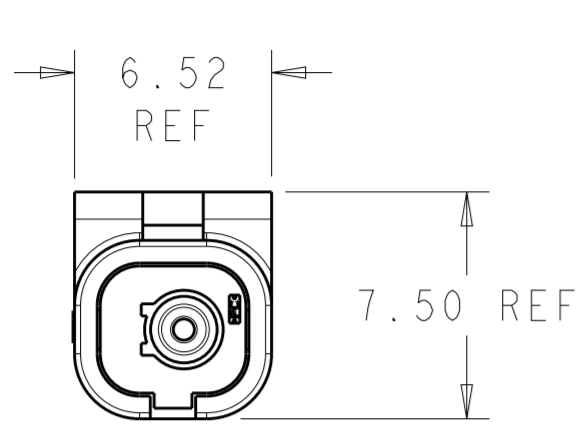
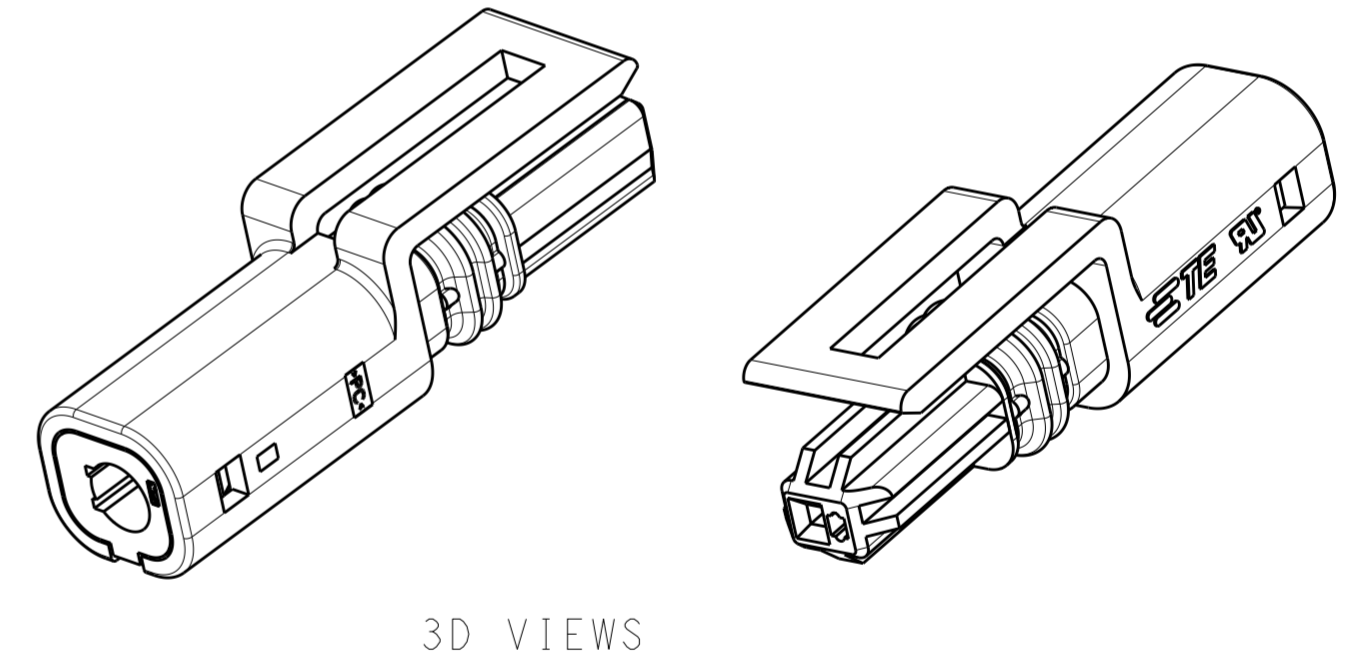
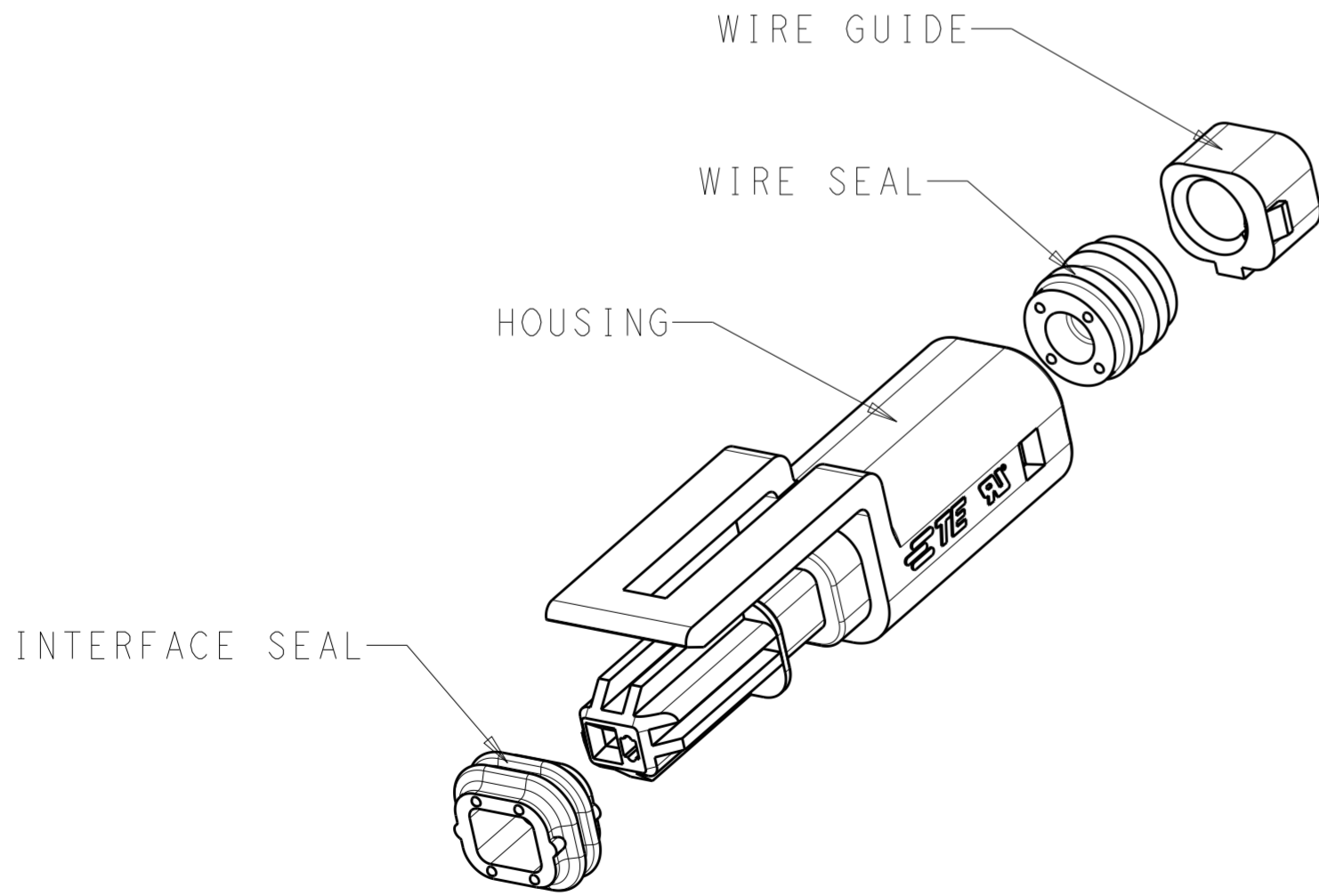


THIS DRAWING IS UNPUBLISHED. RELEASED FOR PUBLICATION 20
 © COPYRIGHT 20 BY - ALL RIGHTS RESERVED.

LOC		DIST		REVISIONS			
P	LTR	DESCRIPTION	DATE	DWN	APVD		
-	-	A	REVISED PER ECR-13-004959	28MAR2013	RS DD		



- ⚠ MATERIALS:
 HOUSING: POLYCARBONATE, FI PER UL 746C, COLOR: BLACK
 WIRE GUIDE: POLYCARBONATE, FI PER UL 746C, COLOR: BLACK
 SEALS: SILICONE RUBBER, COLOR: BLUE
- THIS PART HAS NOT COMPLETED VALIDATION TESTING.
 - MUST COMPLY WITH DIRECTIVE 2002/95/EC (ROHS).
 - DESIGNED TO ONLY MATE WITH P/N 2154852-1.



2154854-1
 PART NUMBER

THIS DRAWING IS A CONTROLLED DOCUMENT.		DWN RAVLS 17MAR2012	TE Connectivity	
DIMENSIONS: mm		CHK D. DECKER 17MAR2012		
TOLERANCES UNLESS OTHERWISE SPECIFIED:		APVD D. DECKER 17MAR2012	NAME 1 POS PLUG ASSY	
0 PLC ± 1 PLC ± 2 PLC ±0.13 3 PLC ± 4 PLC ± ANGLES ± FINISH		PRODUCT SPEC -	SIZE A200779	DRAWING NO C-2154854
MATERIAL		APPLICATION SPEC -	CAGE CODE -	RESTRICTED TO -
		WEIGHT -	SCALE 4:1	SHEET 1 OF 1 REV A
		Customer Drawing		