

2334878-8 ✓ ACTIVE



zQSFP+/QSFP28

TE Internal #: 2334878-8

QSFP28 to SFP+ Cable Assembly, 16 Positions, 13.12 ft [4 m], 25 Gb/s, Black Cable, Shielded, 26 AWG, .129 mm², Madison TurboTwin - Round Jacketed

[View on TE.com >](#)

Cable Assemblies > Copper Cable Assemblies > Pluggable I/O Cable Assemblies > QSFP28-Four SFP+ Cable Assembly: 26 AWG



Cable Assembly Type: QSFP28 to SFP+

Equalized: No

Wire Size: .129 mm²

Outside Cable Diameter: 5.96 mm [.235 in]

[All QSFP28-Four SFP+ Cable Assembly: 26 AWG \(10\)](#)

Features

Product Type Features

Cable Assembly Category	High Speed, Industry Standard
Cable Assembly Type	QSFP28 to SFP+
Connector Type (End A)	QSFP28 Plug
Connector Type (End B)	SFP+ Plug
Cable Style	Madison TurboTwin - Round Jacketed

Configuration Features

Number of Positions	16
Number of Pairs	8
Number of Signal Positions	16

Electrical Characteristics

Impedance	100 Ω
-----------	-------

Signal Characteristics

Data Rate	25 Gb/s
-----------	---------



Body Features

Equalized	No
Cable Color	Black
Cable Flammability Rating	CL2

Dimensions

Wire Size	.129 mm ²
Outside Cable Diameter	5.96 mm[.235 in]

Operation/Application

Shielded	Yes
Halogen Free	No

Other

Cable Assembly Length	4 m[13.12 ft]
-----------------------	---------------

Product Compliance

[For compliance documentation, visit the product page on TE.com>](#)

EU RoHS Directive 2011/65/EU	Compliant with Exemptions
EU ELV Directive 2000/53/EC	Not Compliant
China RoHS 2 Directive MIIT Order No 32, 2016	Restricted Materials Above Threshold
EU REACH Regulation (EC) No. 1907/2006	Current ECHA Candidate List: JUNE 2023 (235) Candidate List Declared Against: JUL 2019 (201) Does not contain REACH SVHC
Halogen Content	Not Low Halogen - contains Br or Cl > 900 ppm.
Solder Process Capability	Not reviewed for solder process capability

Product Compliance Disclaimer

This information is provided based on reasonable inquiry of our suppliers and represents our current actual knowledge based on the information they provided. This information is subject to change. The part numbers that TE has identified as EU RoHS compliant have a maximum concentration of 0.1% by weight in homogenous materials for lead, hexavalent chromium, mercury, PBB, PBDE, DBP, BBP, DEHP, DIBP, and 0.01% for cadmium, or qualify for an exemption to these limits as defined in the Annexes of Directive 2011/65/EU (RoHS2). Finished electrical and electronic equipment products will be CE marked as required by Directive 2011/65/EU. Components may not be CE marked. Additionally, the part numbers that TE has identified as EU ELV compliant have a maximum concentration of 0.1% by weight in homogenous materials for lead, hexavalent chromium, and mercury, and 0.01% for cadmium, or qualify for an exemption to these limits as defined in the Annexes of Directive 2000/53/EC (ELV). Regarding the REACH Regulation, the information TE provides on SVHC in articles for this part number is based on the latest European Chemicals Agency (ECHA) 'Guidance on requirements for substances in articles' posted at this URL: <https://echa.europa.eu/guidance-documents/guidance-on-reach>



Compatible Parts



TE Part # CAT-Z8-P6507
zSFP+ Stacked Cage Assembly: Gasket



TE Part # CAT-SF59-C117ST123
SFP+ Stacked Cage Assemblies



TE Part # CAT-Z8-P650632
zSFP+ Cage Assembly: EMI Springs



TE Part # CAT-Z8-P650796
zSFP+ Stacked Cage Assembly: EMI Spring



TE Part # 2170705-7
CAGE ASSY, QSFP28 1X1, SPRING, HS, LP



TE Part # 2-2170747-2
CAGE ASSY, 1X4, QSFP28, SPRING, HS, LP



TE Part # 2007135-1
SFP+ 1x4 CageAssembly w/ EMI gasket



TE Part # 2170704-2
CAGE ASSY, QSFP28 1X1, SPRING, HS



TE Part # 2227103-2
1X2 CAGE ASSY BHND BZL QSFP28



TE Part # 2170707-3
CAGE ASSY, 1X6, QSFP28, SPRING, HS



TE Part # 2007180-1
SFP+ 1X2 CAGE ASSM/LIGHTPIPE, EMI GASKET



TE Part # 2227103-1
1X2 CAGE ASSY BHND BZL QSFP28



TE Part # 2007254-1
SFP+ 1x1 Cage Assembly, Light Pipe



TE Part # 2198230-2
SFP+ Enhanced 1x2, SAN Heatsink



TE Part # 2198230-1
SFP+ Enhanced 1x2, PCI Heatsink



TE Part # 2170704-1
CAGE ASSY, QSFP28 1X1, SPRING, HS



TE Part # 2170704-5
CAGE ASSY, QSFP28 1X1, SPRING, HS



TE Part # 2170030-1
SFP+ 1x4 w/ Ultra Low Profile LP



TE Part # 2007194-2
SFP+ 1x1 Cage Assembly, PCI, Solder Tail

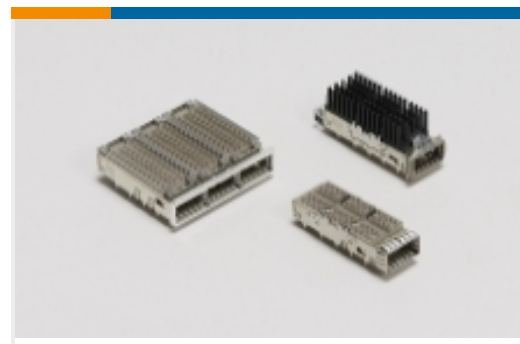


TE Part # 2007181-1
SFP+ 1x2 Cage Assy, EMI Gasket

Also in the Series | [zQSFP+/QSFP28](#)

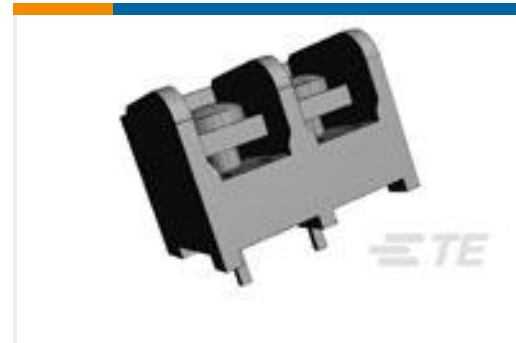


Pluggable I/O Cable Assemblies(81)



QSFP, QSFP+ & zQSFP+(432)

Customers Also Bought

TE Part #8-1393243-5
RT425024TE Part #34148
PG R 22-16 COMM 22-18 MIL 8TE Part #3-1437652-9
6PCV-02-006=6PCV ASSEMBLYTE Part #1-826629-6
16X1 AMPMODU II HDR ST

Documents

Product Drawings

QSFP TO [4]SFP 25GIG 26AWG 4 METER

English

CAD Files

3D PDF

3D

Customer View Model

[ENG_CVM_CVM_2334878-8_A.2d_dxf.zip](#)

English

Customer View Model

[ENG_CVM_CVM_2334878-8_A.3d_igs.zip](#)

English

Customer View Model

[ENG_CVM_CVM_2334878-8_A.3d_stp.zip](#)

English

By downloading the CAD file I accept and agree to the [Terms and Conditions](#) of use.

Product Specifications

Product Specification

English

Product Specification

English