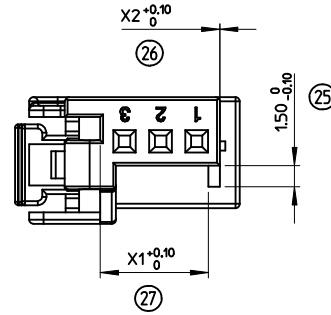
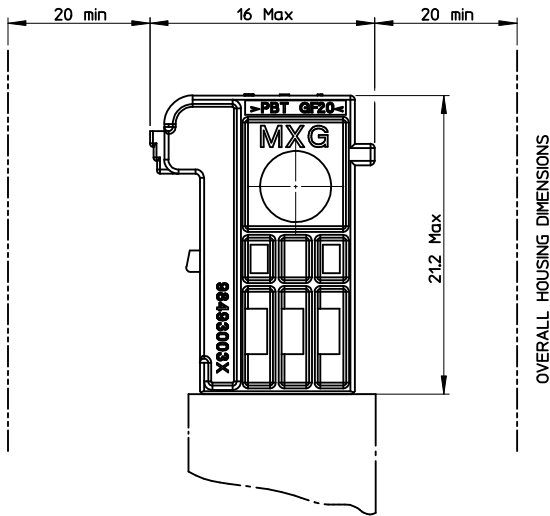


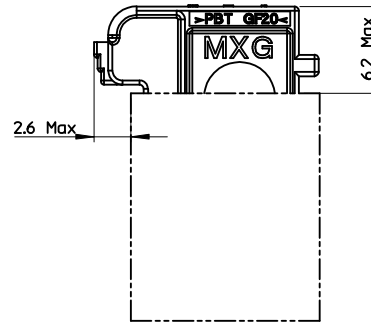
PART NUMBERS (coding chart)

COLOR	P/N	X1	X2	DESCRIPTION
BLACK	0984930031	7.6	0	MOX RCPT HSG PBTGF 20 BLK 3 CKT
WHITE	0984930032	6.3	1.3	MOX RCPT HSG PBTGF 20 WHT 3 CKT
BLUE	0984930033	5.1	2.5	MOX RCPT HSG PBTGF 20 BLE 3 CKT
YELLOW	0984930034	3.8	3.8	MOX RCPT HSG PBTGF 20 YEL 3 CKT
GREY	0984930035	2.6	5	MOX RCPT HSG PBTGF 20 GRy 3 CKT
BROWN	0984930036	0	6.3	MOX RCPT HSG PBTGF 20 BRN 3 CKT

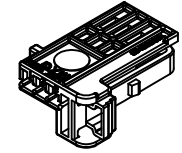
Required handling area to mate the connector



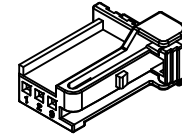
Dimensions when the connector is mated



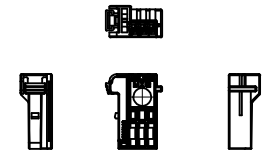
Leave clearance to unmate the connector



ISO. VIEWS SCALE 1:1



VIEWS SCALE 1:1



TERMINAL(S) USED: - FLEX FEMALE TERMINAL 0.635 MOX

- TIN PLATED VERSION: 0981941211

- GOLD PLATED VERSION: 0981941221

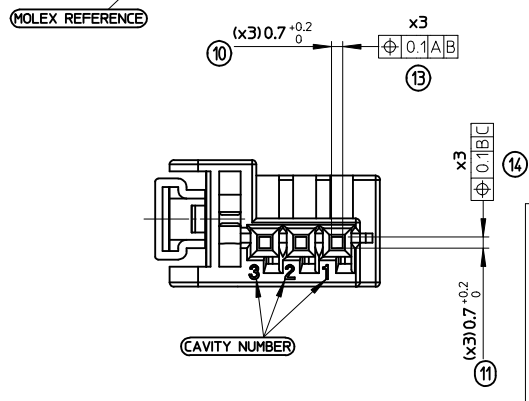
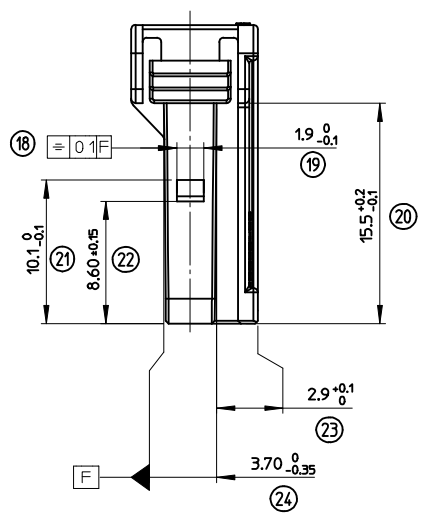
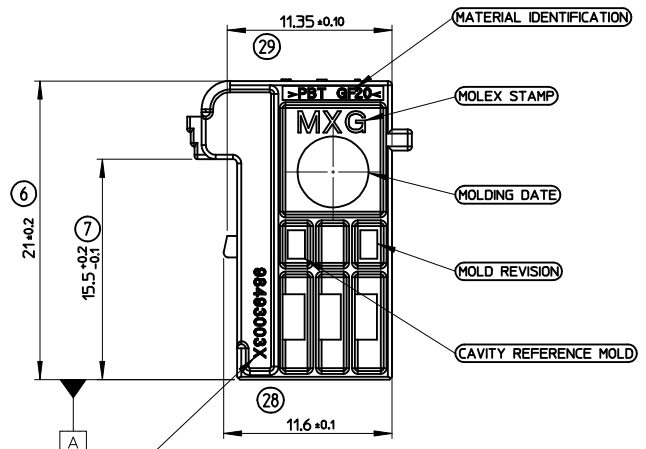
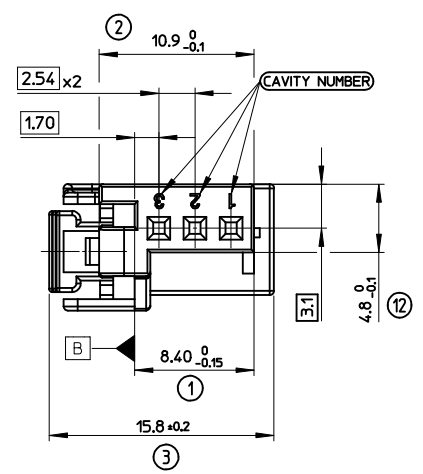
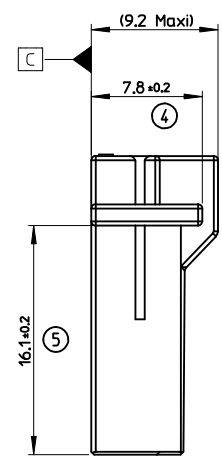
- THE FEMALE CONNECTOR WILL MATE WITH THE SAME COLOR MALE CONNECTOR

OR THE SAME COLOR INTERFACE.

FIRST DRAWING EC NO: GZ009-0158 DRAWN: DDOSSANTOS 2008/10/27 CHKD: OPELSSIS 2009/03/16 APPR: OPELSSIS 2009/03/18	DESCRIPTION	QUALITY SYMBOLS	GENERAL TOLERANCES (UNLESS SPECIFIED)		DIMENSION STYLE	SCALE	DESIGN UNITS	FIRST ANGLE PROJECTION
			mm	INCH	MM ONLY	4:1	METRIC	
A	REV	DESCRIPTION	4 PLACES	± ---	± ---	DRAWN BY	DATE	TITLE
			3 PLACES	± ---	± ---	DDOSSANTOS	2008/10/27	RECEPTACLE HOUSING 3CKT MOX 0.635 FLEX VERSION PORTE-CLIPS 3V FLEX
			2 PLACES	± 0.05	± ---	CHECKED BY	DATE	
			1 PLACE	± 0.1	± ---	OPELSSIS	2008/10/27	
			ANGULAR ± 2 °		APPROVED BY	DATE	MOLEX INCORPORATED	
			DRAFT WHERE APPLICABLE MUST REMAIN WITHIN DIMENSIONS		PBEUGNOT	2008/10/27	DOCUMENT NO. SD-98493-001	
			SIZE A 2		THIS DRAWING CONTAINS INFORMATION THAT IS PROPRIETARY TO MOLEX INCORPORATED AND SHOULD NOT BE USED WITHOUT WRITTEN PERMISSION			SHEET NO. 1 OF 2

NOTES:

- 1- FOR ILLUSTRATION PURPOSE THE FEMALE CONNECTOR IS BLACK VERSION (0984930031)
- 2- CAVITIES DIMENSIONS IN ACCORDANCE WITH THE CAVITIES SPECIFICATION SD-98194-008
- 3- WEIGHT = 1.03g
- 4- MATERIAL : >PBT GF20<



FIRST DRAWING EC NO: GZ009-0158 DRAWN: DOSSANTOS 2009/03/16 CHKD: OPELSSIS 2009/03/16 APPR: OPELSSIS 2009/03/18	DESCRIPTION [REDACTED]	GENERAL TOLERANCES (UNLESS SPECIFIED)		DIMENSION STYLE MM ONLY	SCALE 4:1	DESIGN UNITS METRIC	FIRST ANGLE PROJECTION
		4 PLACES ± --- ± --- 3 PLACES ± --- ± --- 2 PLACES ± 0.05 ± --- 1 PLACE ± 0.1 ± --- ANGULAR ± 2 °	DRAWN BY DOSSANTOS	DATE 2008/10/27	TITLE RECEPTACLE HOUSING 3CKT MOX 0.635 FLEX VERSION PORTE-CLIPS 3V FLEX		
A	REV	DRAFT WHERE APPLICABLE MUST REMAIN WITHIN DIMENSIONS		APPROVED BY PBEUGNOT	DATE 2008/10/27	MOLEX INCORPORATED	
		SIZE A2	SEE SHEET 1 THIS DRAWING CONTAINS INFORMATION THAT IS PROPRIETARY TO MOLEX INCORPORATED AND SHOULD NOT BE USED WITHOUT WRITTEN PERMISSION		MATERIAL NO. SD-98493-001	DOCUMENT NO. SD-98493-001	SHEET NO. 2 OF 2