

3M™ Active Optical Cable (AOC) Assemblies for SFP+ Applications

Using industry leading VCSEL technology and an advanced new light engine design, the 3M Active Optical Cable Assembly for SFP+ Applications provides exceptional cost/performance value. The SFP+ AOC delivers a single bi-directional channel operating at up to 10.3125 Gbps while using a subtle 240mW (typical) of energy per end.

Features

- Low power @ 240mW typical
- 1 channel operating at up to 10.3125 Gbps
- Fiber link up to 100m
- BER @ 10^{-12}
- Hot pluggable
- Bend insensitive fiber
- Full set of diagnostic features
- Supports to SFF-8431 Enhanced Small Form Factor Pluggable Module SFP+, Rev 4.1
- Supports to Fiber Channel Physical Interface – 5 (FC-PI-5) Rev 6.10 released
- Class 1 eye-safe per IEC 60825-1/CDRH
- FCC Class B and CE Emissions and Immunity (EN 61000 4-3)
- 3M 2-year active optical warranty
- RoHS Compliant*

Applications

- High-performance computing clusters
- 10G Ethernet applications (10GbE)
- 4G and 8G Fiber Channel Applications (4GFC/8GFC)
- 1x InfiniBand QDR, DDR, SDR
- Servers, switches, storage and host card adapters (NIC)

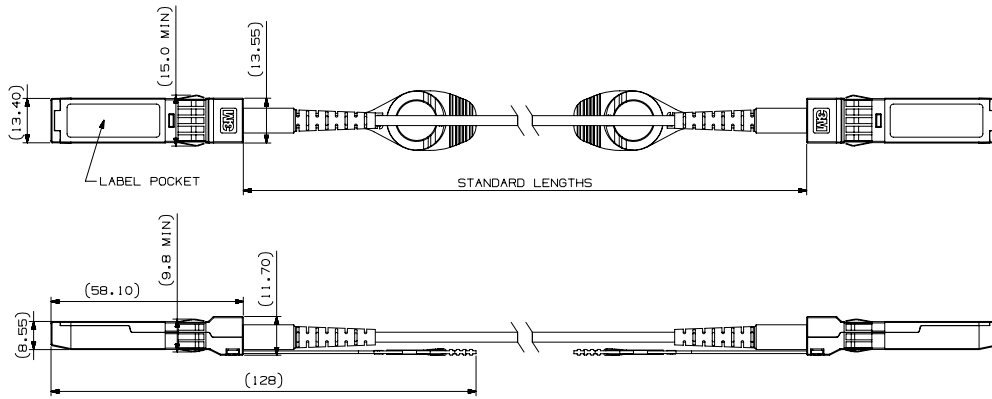


AOC SFP+ Specifications

Module Form Factor	SFP+ (Supports SFF8431/SFF8432/SFF8472)
Protocols Supported	InfiniBand, Ethernet, Fiber Channel
Channels	1 channel, bi-directional
Channel Data Rate	1 to 10.3125 Gbps/channel
Operating Optical Wavelength	850 nm
BER	< 10^{-12}
Operating Case Temperature	0 to + 70°C
Storage Temperature	-20 to + 85°C
Supply Voltage	3.3V nominal
Electrical Interface	20-pin edge connector
Power Consumption	240mW per end typical
Management Interface	Serial, I2C (Supports SFF8472)

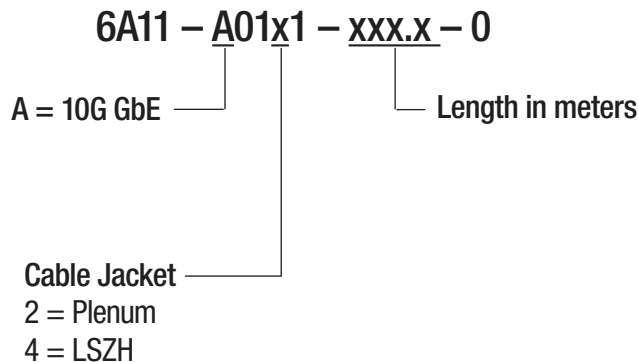


3M™ Active Optical Cable (AOC) Assemblies for SFP+ Applications



Ordering Information

Customer drawing number 78-5100-2572-5



Unless otherwise noted, references to industry specifications are intended to indicate substantial compliance to the material elements of the specification. Such references should not be construed as a guarantee of compliance to all requirements in a given specification.

“RoHS 2011/65/EU” means that the product or part does not contain any of the substances in excess of the maximum concentration values (“MCVs”) in EU RoHS Directive 2011/65/EU. The MCVs are by weight in homogeneous materials. This information represents 3M’s knowledge and belief, which may be based in whole or in part on information provided by third party suppliers to 3M.

In the event any product is proven not to conform with 3M’s Regulatory Information Appendix, then 3M’s entire liability and Buyer’s exclusive remedy will be in accordance with the Warranty stated below.

3M is a trademark of 3M Company.

Important Notice

All statements, technical information, and recommendations related to 3M’s products are based on information believed to be reliable, but the accuracy or completeness is not guaranteed. Before using this product, you must evaluate it and determine if it is suitable for your intended application. You assume all risks and liability associated with such use. Any statements related to the product which are not contained in 3M’s current publications, or any contrary statements contained on your purchase order shall have no force or effect unless expressly agreed upon, in writing, by an authorized officer of 3M.

Warranty; Limited Remedy; Limited Liability.

This product will be free from defects in material and manufacture for a period of two years from the time of purchase. **3M MAKES NO OTHER WARRANTIES INCLUDING, BUT NOT LIMITED TO, ANY IMPLIED WARRANTY OF MERCHANTABILITY OR FITNESS FOR A PARTICULAR PURPOSE.** If this product is defective within the warranty period stated above, your exclusive remedy shall be, at 3M’s option, to replace or repair the 3M product or refund the purchase price of the 3M product. Except where prohibited by law, 3M will not be liable for any indirect, special, incidental or consequential loss or damage arising from this 3M product, regardless of the legal theory asserted.



Electronic Solutions Division Interconnect Products

6801 River Place Blvd.
Austin, TX 78726-9000
1-800-225-5373
www.3Mconnectors.com

Please recycle. Printed in USA
© 3M 2013. All rights reserved.
80-4000-7026-6