

PV8 SERIES ANTI-VANDAL SWITCH

ANTI-VANDAL SWITCHES
DETECTOR SWITCHES
DIP SWITCHES
KEYLOCK SWITCHES
NAVIGATION SWITCHES
PUSHBUTTON SWITCHES
ROCKER SWITCHES
ROTARY SWITCHES
SLIDE SWITCHES
SNAP ACTION SWITCHES
TACTILE SWITCHES
TOGGLE SWITCHES
CAP OPTIONS



APPLICATIONS / MARKETS



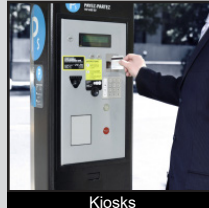
Audio / Visual



Security Devices



Industrial Controls



Kiosks



Electrical Housewares



Medical Equipment

SPECIFICATIONS

Electrical Rating: 2A, 48VDC
Electrical Life: 50,000 Cycles
Contact Resistance: 50mΩ Max.
Insulation Resistance: 1000 MΩ Min. @ 500VDC
Dielectric Strength: 2,000VAC
Operating/Storage Temperature: -20°C to 55°C
Travel: 2.80mm
Moisture Protection: IP65
Contact Arrangement: SPDT& DPDT
Actuation Force: 6.5 N
Panel Thickness: 1-10mm for Momentary
 1-12mm for Maintained
Mounting Nut Torque: 5-14Nm

FEATURES & BENEFITS

- 25mm diameter panel cutout
- LED color options
- Dot, ring or power symbol illumination available
- Multiple function options
- IP65 rated
- SPDT & DPDT arrangements
- Soldered wire leads (300mm long) optional

PART NUMBER CONFIGURATOR

Series	Actuator Options	Terminal Options	Function Options	Rating Options	Body Finish Options	Actuator Finish Options	Lens Style Options	LED-Color Options	Illumination Voltage Options	Graphic (Optional)
<input type="text" value="PV8"/>	<input type="text" value="F - Flat"/>	<input type="text" value="2 - Solder
W - Wire Leads
300mm long"/>	<input type="text" value="T - 1 Pole
1P Off-On +
1P On-Off
Y - 1 Pole
1P Off-(On) +
1P On-(Off)
U - 2 Pole
2P Off-On +
2P On-Off
V - 2 Pole
2P Off-(On) +
2P On-(Off)"/>	<input type="text" value="0 - 2A,
48VDC"/>	<input type="text" value="1 - Black
Anodized
N - Nickel
Plated
S - Stainless
Steel"/>	<input type="text" value="1 - Black
Anodized
N - Nickel
Plated
S - Stainless
Steel"/>	<input type="text" value="NONE - Non-
Illuminated
2 - Dot
Illumination
3 - Ring
Illumination"/>	<input type="text" value="NONE- Non-
Illuminated
0 - White
1 - Red
2 - Orange
3 - Green
4 - Blue
5 - Yellow"/>	<input type="text" value="NONE - Non-
Illuminated
1 - Base Voltage
3 - 6V
4 - 12V
5 - 24V
6 - 125V
7 - 250V"/>	<input type="text" value="M11 - Power
symbol laser
etched
M14 - Power
symbol / Ring
Illumination"/>

NOTES:
 *() denotes function is momentary

Specifications subject to change without notice 3.15.2022



E-SWITCH®

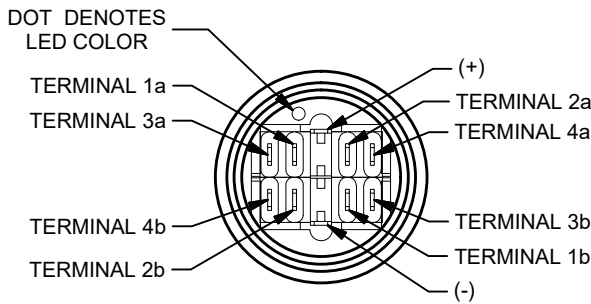
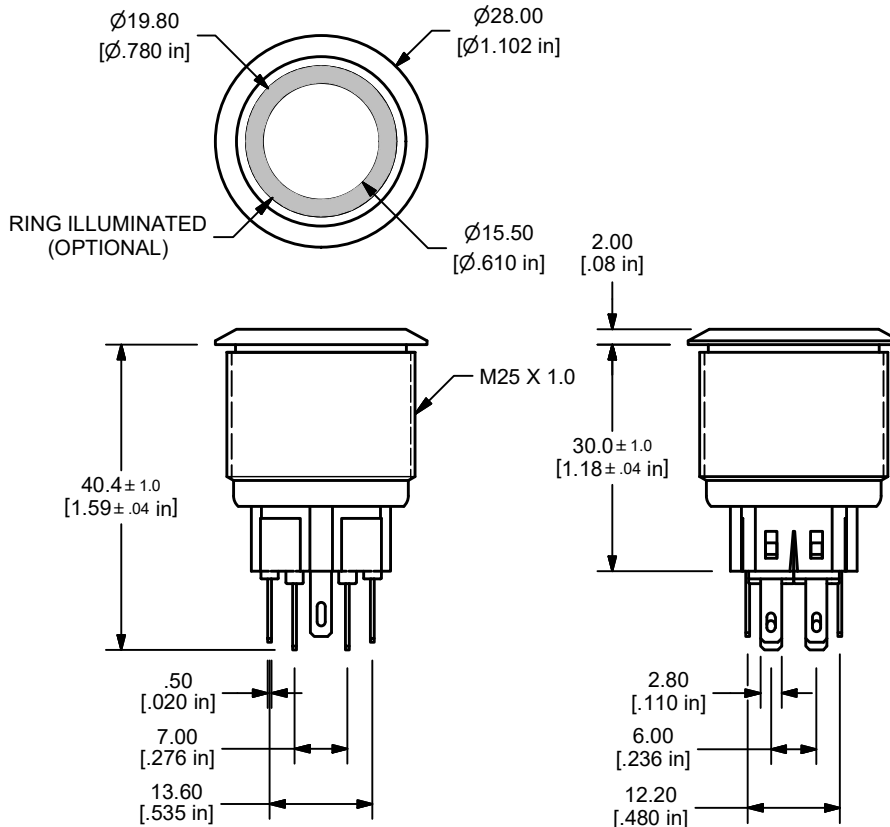
www.e-switch.com

800.867.2717

1

PV8 SERIES ANTI-VANDAL SWITCH

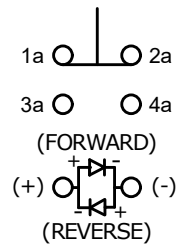
STANDARD LED FUNCTIONS T & U



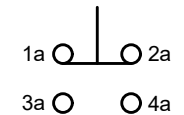
SPDT - FUNCTION T
TERMINALS 1a - 4a

DPDT - FUNCTION U
TERMINALS 1a - 4a AND
1b - 4b (AS SHOWN)

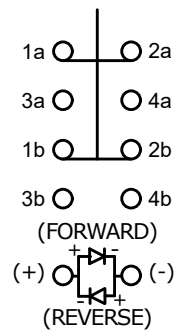
TERMINALS (-) AND (+)
USED WITH ILLUMINATED
OPTION ONLY



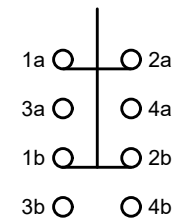
SPDT LED SCHEMATIC



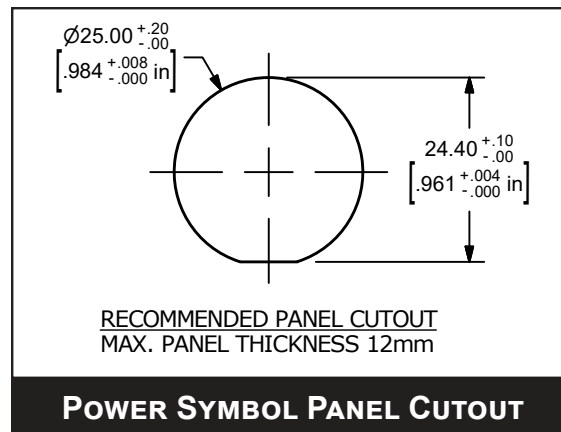
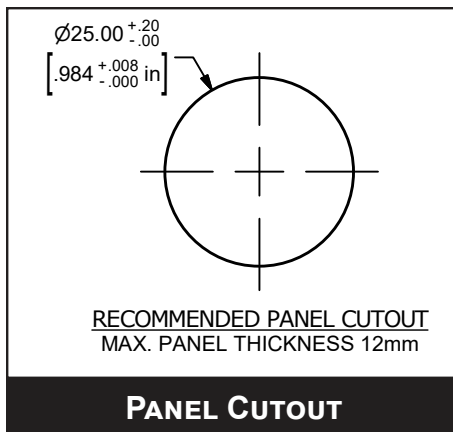
SPDT Non ILL SCHEMATIC



DPDT LED SCHEMATIC



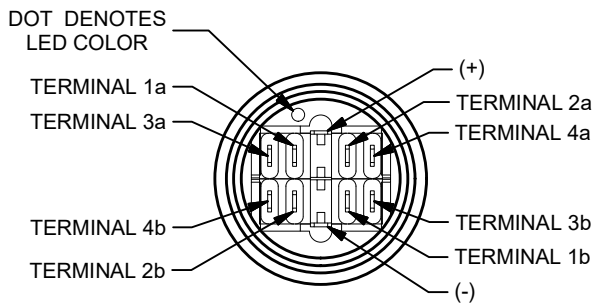
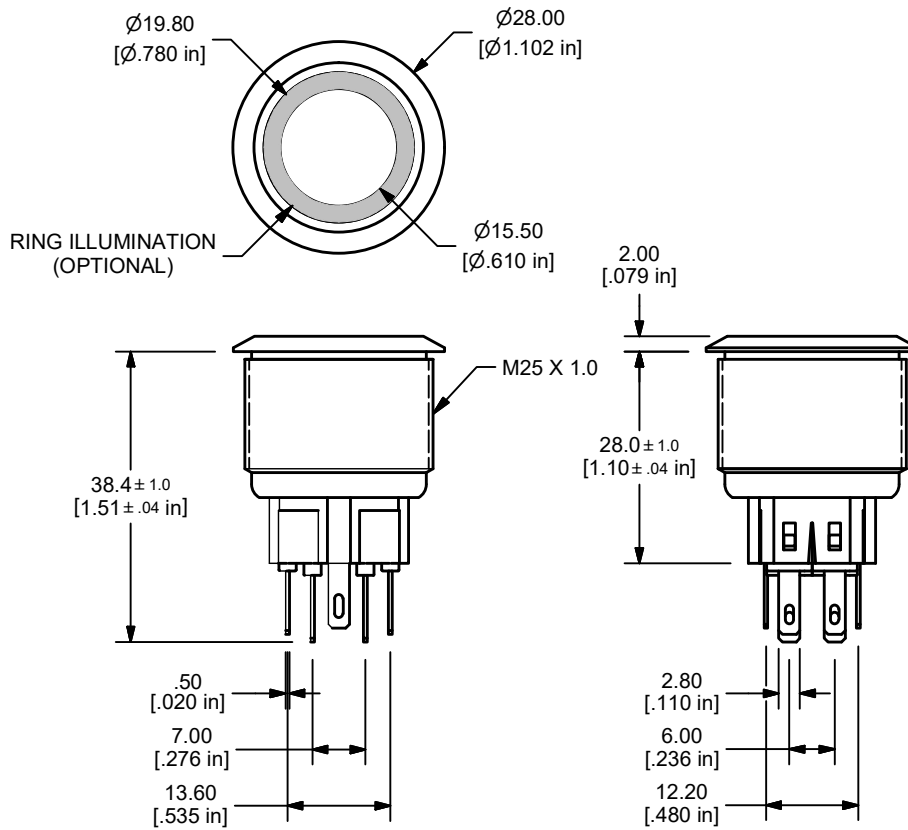
DPDT Non ILL SCHEMATIC



ANTI-VANDAL SWITCHES
DETECTOR SWITCHES
DIP SWITCHES
KEYLOCK SWITCHES
NAVIGATION SWITCHES
PUSHBUTTON SWITCHES
ROCKER SWITCHES
ROTARY SWITCHES
SLIDE SWITCHES
SNAP ACTION SWITCHES
TACTILE SWITCHES
TOGGLE SWITCHES
CAP OPTIONS

PV8 SERIES ANTI-VANDAL SWITCH

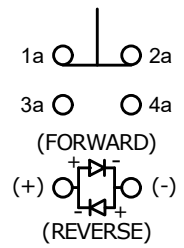
STANDARD LED FUNCTIONS Y & V



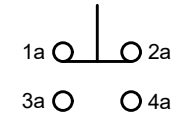
SPDT - FUNCTION Y
TERMINALS 1a - 4a

DPDT - FUNCTION V
TERMINALS 1a - 4a AND
1b - 4b (AS SHOWN)

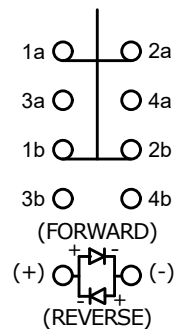
TERMINALS (-) AND (+)
USED WITH ILLUMINATED
OPTION ONLY



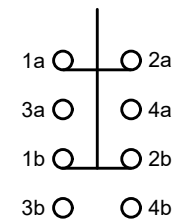
SPDT LED SCHEMATIC



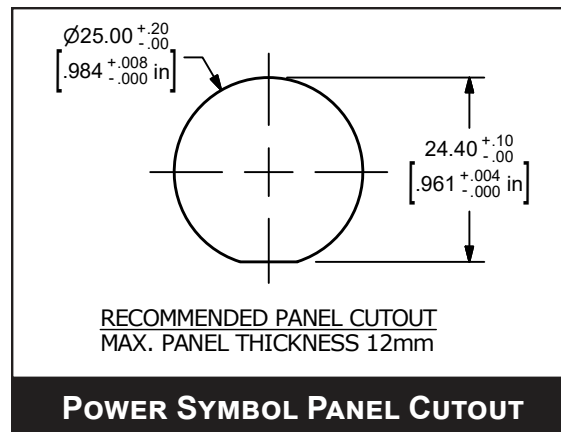
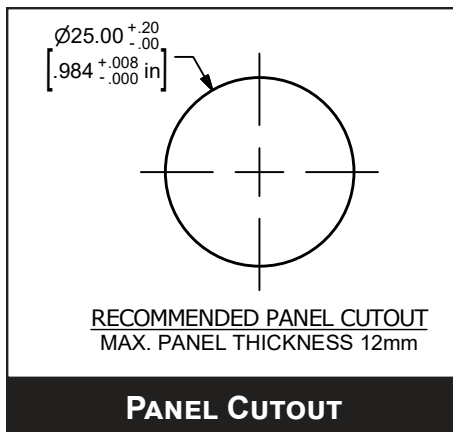
SPDT Non ILL SCHEMATIC



DPDT LED SCHEMATIC

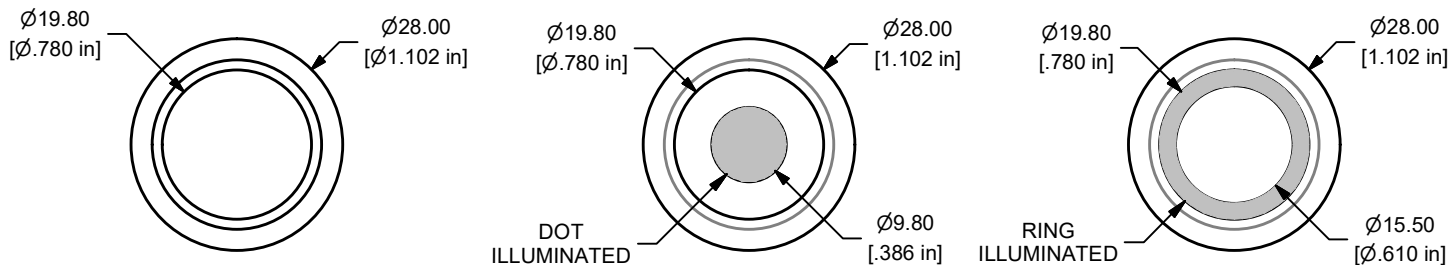


DPDT Non ILL SCHEMATIC



PV8 SERIES ANTI-VANDAL SWITCH

ACTUATOR OPTIONS

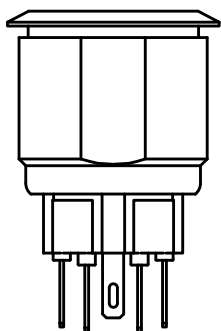
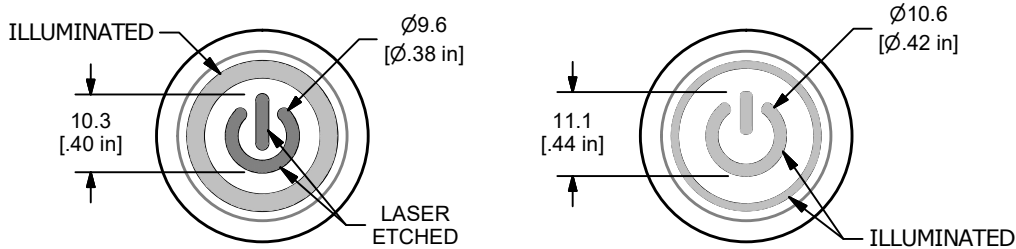


FLAT NON-ILLUMINATED

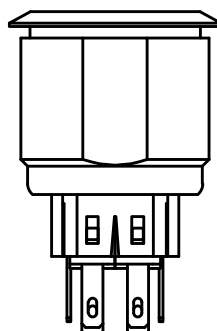
FLAT DOT ILLUMINATED

FLAT RING ILLUMINATED

GRAPHIC OPTIONS



M11



M14



PV8 SERIES ANTI-VANDAL SWITCH

STANDARD LED WIRE LEAD

SWITCH	WIRE	LENGTH
SW1-1a	WIRE, 24AWG AWM UL1015, WHITE	300.0 [11.8 in]
SW1-2a	WIRE, 24AWG AWM UL1015, WHITE	300.0 [11.8 in]
SW1-3a	WIRE, 24AWG AWM UL1015, BLUE	300.0 [11.8 in]
SW1-4a	WIRE, 24AWG AWM UL1015, BLUE	300.0 [11.8 in]
SW1-1b	WIRE, 24AWG AWM UL1015, WHITE	300.0 [11.8 in]
SW1-2b	WIRE, 24AWG AWM UL1015, WHITE	300.0 [11.8 in]
SW1-3b	WIRE, 24AWG AWM UL1015, BLUE	300.0 [11.8 in]
SW1-4b	WIRE, 24AWG AWM UL1015, BLUE	300.0 [11.8 in]
SW1- (+)	WIRE, 24AWG AWM UL1015, RED	300.0 [11.8 in]
SW1- (-)	WIRE, 24AWG AWM UL1015, BLACK	300.0 [11.8 in]

** WIRE LEADS PROVIDED ARE DEPENDANT ON THE FUNCTION AND/OR ILLUMINATION SELECTED **

