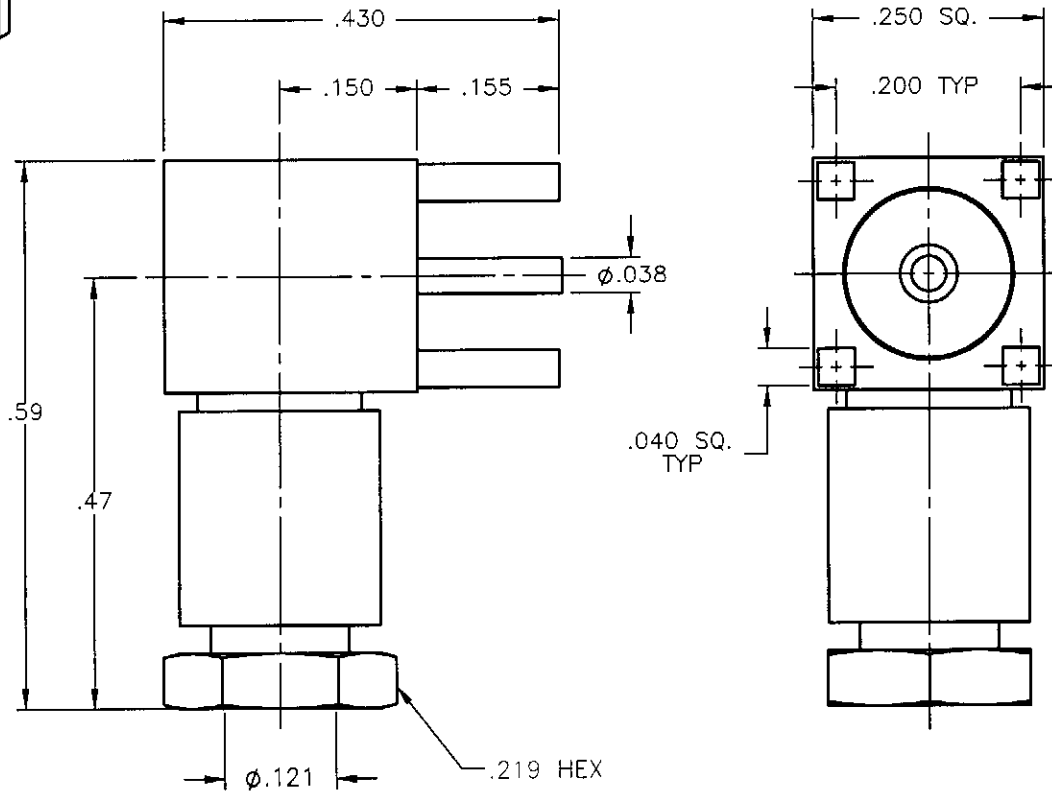


| REVISIONS | | | |
|-----------|-----------------|----------|----------|
| REV. | DESCRIPTION | DATE | APPROVED |
| A | INITIAL RELEASE | 11/19/08 | M.J. |



NOTES:


MATERIALS:

1. INSULATOR = VIRGIN WHITE TEFLON PER ASTM D1710, GRADE 1, TYPE I, CLASS "B".
2. ALL OTHER METAL PARTS = BRASS PER ASTM B16, ALLOY C36000, TEMPER H02.

FINISHES:

1. CONTACT = GOLD PLATE PER MIL-G-45204, TYPE II, CLASS 1, GRADE C, OVER .00010 TO .00020 STRESS FREE SULFAMATE NICKEL PER QQ-N-290.
2. ALL OTHER METAL PARTS = GOLD PLATE PER MIL-G-45204, TYPE II, CLASS 0, GRADE C, OVER .00010 TO .00020 COPPER STRIKE PER MIL-C-14550.

Property of Radiall Incorporated
 This document cannot be reproduced or
 communicated to a third party without prior
 written permission of RADIALL Incorporated.

| | | | | | | | |
|---|-------|-----------------------|--|--|------------------------|---------------|--------------|
| UNLESS OTHERWISE SPECIFIED DIMENSIONS ARE IN INCHES TOLERANCES ON | DWN: | DATE |  APPLIED ENGINEERING PRODUCTS 104 John W. Murphy Dr. New Haven, CT 06513 <i>a RADIALL company</i> | | | | |
| | M.J. | 11/19/08 | | | | | |
| DECIMAL | ANGLE | CHKD: | DATE | RIGHT ANGLE CABLE TERMINATION P.C.B. MOUNT CLAMP TYPE FOR RG-316 & SIMILAR CABLES | | | |
| | | D.N. | 11/19/08 | | | | |
| REFERENCE: | | APVD: | DATE | SIZE | FSCM NO. | DWG NO. | REV |
| ORIGINATED: M.J. DATE: 11/19/08 | | MATERIALS & FINISHES: | SEE NOTES | A | 19505 | 8045-1551-003 | A |
| | | | | SCALE 5:1 | THIRD ANGLE PROJECTION | | SHEET 1 OF 1 |

8045-1551-003