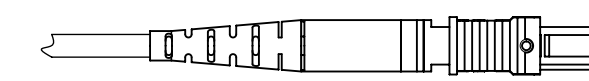
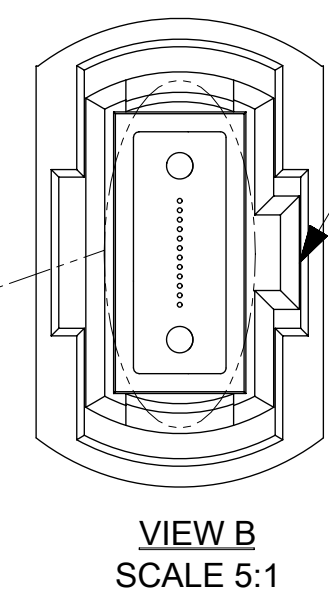
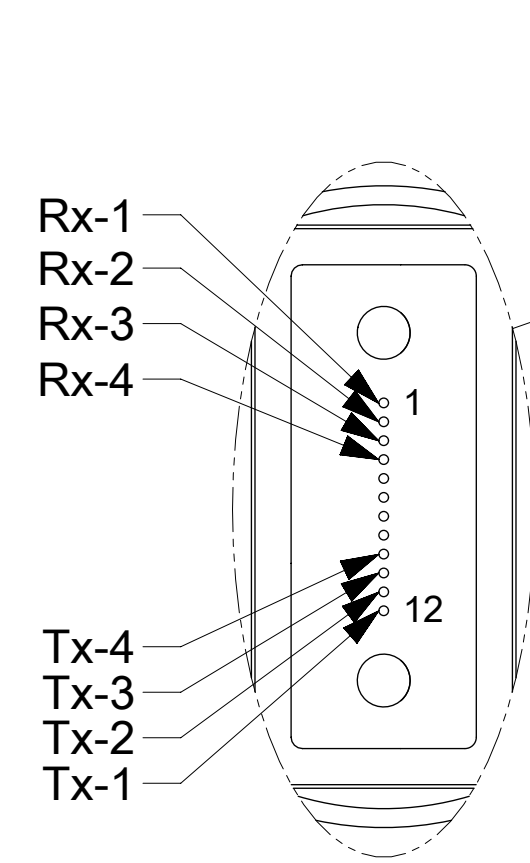


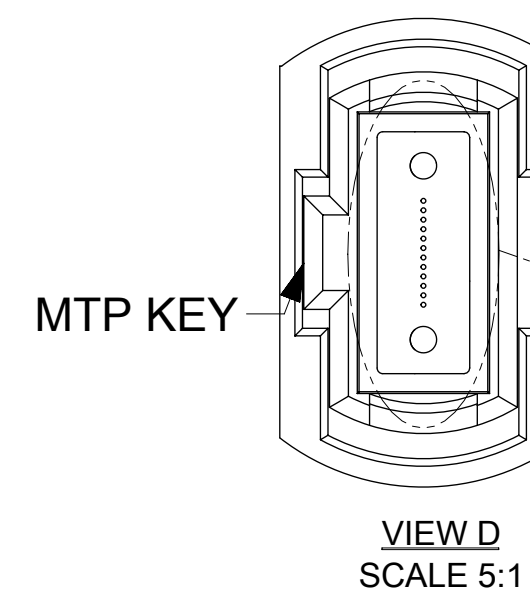
VIEW A



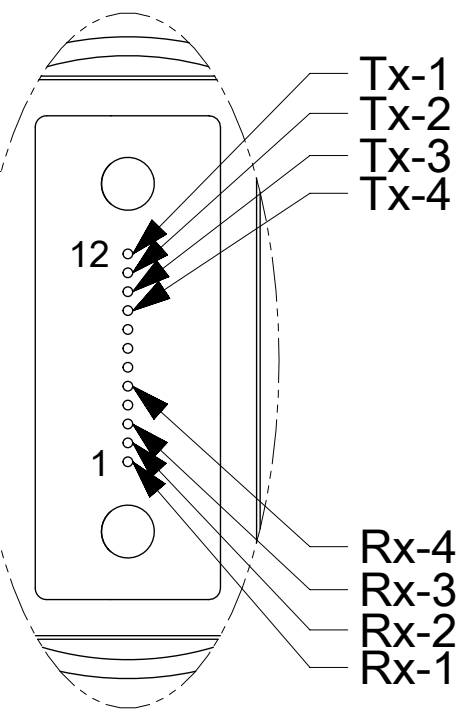
VIEW C



VIEW B  
SCALE 5:1



VIEW D  
SCALE 5:1



OPTICAL CONNECTION			
FROM P1	FIBER #	TO P2	FIBER #
Rx-1	1	Tx-1	12
Rx-2	2	Tx-2	11
Rx-3	3	Tx-3	10
Rx-4	4	Tx-4	9
dummy	5	dummy	8
dummy	6	dummy	7
dummy	7	dummy	6
dummy	8	dummy	5
Tx-4	9	Rx-4	4
Tx-3	10	Rx-3	3
Tx-2	11	Rx-2	2
Tx-1	12	Rx-1	1

NOTE:

CABLE ASSEMBLY SPECIFICATIONS:

OPTICAL PROPERTIES

FIBER TYPE  
 CONNECTOR INSERTION LOSS MTP/LC (MAX.)  
 CABLE ATTENUATION (MAX.)  
 OVERFILLED LAUNCH BANDWIDTH, MIN.

MULTIMODE 50/125 μm BEND-INSENSITIVE  
 0.5/0.35 dB  
 3.5/1.2 dB/km AT 850/1300 nm  
 SEE TABLE 1

ENVIRONMENTAL PROPERTIES

CONNECTOR MATERIALS  
 CABLE FLAMMABILITY RATING  
 OPERATING TEMPERATURE RANGE

UL94 V-0  
 PLENUM OFNP (NFPA262/UL 910)  
 -0°C TO +70°C

MECHANICAL PROPERTIES

FIBER COUNT  
 CABLE MIN. BEND RADIUS  
 SHORT TERM  
 LONG TERM  
 NO LOAD

4 Tx X 4 Rx  
 45mm - SINGLE JACKET  
 72mm - DUAL JACKET  
 20mm - SINGLE JACKET  
 48mm - DUAL JACKET  
 10mm - SINGLE JACKET  
 OR SUBUNIT OF DUAL JACKET  
 >3.5 N/mm

CABLE COMPRESSION FORCE

TABLE 1


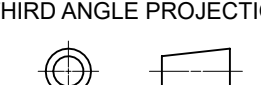
FIBER TYPE	OVERFILLED LAUNCH BANDWIDTH, MIN. (MHz-km)		10 GIGABIT ETHERNET LINK DISTANCE, MIN. (m)		EFFECTIVE MODAL BANDWIDTH (MHz-km)
	850 nm	1300 nm	850 nm	1300 nm	850 nm
STANDARD BANDWIDTH (OM2)	500	500	86	---	---
HIGH BANDWIDTH (OM3)	1500	500	300	---	2000
HIGH BANDWIDTH (OM4)	3500	550	550	---	4700

THIS DRAWING CONTAINS INFORMATION THAT IS PROPRIETARY TO MOLEX ELECTRONIC TECHNOLOGIES, LLC AND SHOULD NOT BE USED WITHOUT WRITTEN PERMISSION

DIMENSION UNITS <b>mm</b>	SCALE <b>1:1</b>	CURRENT REV DESC:	<b>molex</b>		
GENERAL TOLERANCES (UNLESS SPECIFIED)					
ANGULAR TOL ± 0.5°		EC NO: 743399 DRWN: IGUMIN 2023/03/22 CHK'D: TTYBOR 2023/03/24 APPR: TTYBOR 2023/03/24	MOLEX QSFP OPTICAL CABLE ASSEMBLY		
4 PLACES ±					
3 PLACES ±		INITIAL REVISION: DRWN: IGUMIN 2007/02/13 APPR: IGUMIN 2007/02/13	PRODUCT CUSTOMER DRAWING		
2 PLACES ±			DOCUMENT NUMBER <b>SD-106283-00XX</b>	DOC TYPE PSD	DOC PART 001
1 PLACE ±		DRAFT WHERE APPLICABLE MUST REMAIN WITHIN DIMENSIONS	MATERIAL NUMBER SEE TABLE	CUSTOMER GENERAL MARKET	SHEET NUMBER 1 OF 2
0 PLACES ±			THIRD ANGLE PROJECTION	DRAWING D-SIZE	SERIES 106283

STANDARD BANDWIDTH (OM2 FIBER)			HIGH BANDWIDTH (OM3 FIBER)			HIGH BANDWIDTH (OM4 FIBER)			OVERALL LENGTH L (m)
ASSY P/N	CABLE JACKET COLOR	CONN. BODY COLOR	ASSY P/N	CABLE JACKET COLOR	CONN. BODY COLOR	ASSY P/N	CABLE JACKET COLOR	CONN. BODY COLOR	
TBD	ORANGE (SINGLE JACKET)	BLACK	1062831000	AQUA (SINGLE JACKET)	AQUA	1062837501	AQUA (SINGLE JACKET)	AQUA	0.5 +0.1/-0
1062830001			1062831001			1062837001			1.0 +0.2/-0
1062830115			1062831115			1062837502			1.5+0.2/-0
1062830002			1062831002			1062837002			2.0 +0.2/-0
1062830125			1062831125			1062837503			2.5+0.2/-0
1062830003			1062831003			1062837003			3.0 +0.2/-0
TBA			1062831103			TBA			3.5 +0.2/-0
1062830004			1062831004			1062837004			4.0 +0.2/-0
1062830005			1062831005			1062837005			5.0 +0.2/-0
1062830006			1062831006			1062837006			6.0 +0.2/-0
1062830007			1062831007			1062837007			7.0 +0.2/-0
1062830008			1062831008			1062837008			8.0 +0.2/-0
1062830009			1062831009			1062837009			9.0 +0.2/-0
1062830010			1062831010			1062837010			10.0 +0.3/-0
1062830011			1062831011			1062837011			11.0 +0.3/-0
1062830012			1062831012			1062837012			12.0 +0.3/-0
1062830013			1062831013			1062837013			13.0 +0.3/-0
1062830014			1062831014			1062837014			14.0 +0.3/-0
1062830015			1062831015			1062837015			15.0 +0.3/-0
1062830016			1062831016			1062837016			16.0 +0.3/-0
1062830017			1062831017			1062837017			17.0 +0.3/-0
1062830018			1062831018			1062837018			18.0 +0.3/-0
1062830019			1062831019			1062837019			19.0 +0.3/-0
1062830020			1062831020			1062837020			20.0 +0.4/-0
1062830021			1062831021			1062837021			21.0 +0.4/-0
1062830022			1062831022			1062837022			22.0 +0.4/-0
1062830023			1062831023			1062837023			23.0 +0.4/-0
1062830024			1062831024			1062837024			24.0 +0.4/-0
1062830025			1062831025			1062837025			25.0 +0.5/-0
1062830026	1062831026	1062837026	26.0 +0.5/-0						
1062830027	1062831027	1062837027	27.0 +0.5/-0						
1062830028	1062831028	1062837028	28.0 +0.5/-0						
1062830029	1062831029	1062837029	29.0 +0.5/-0						
1062830030	ORANGE (DUAL JACKET)	1062831030	1062837030	30.0 +0.6/-0					
1062830035		1062831035	1062837035	35.0 +0.7/-0					
1062830040		1062831040	1062837040	40.0 +0.8/-0					
1062830045		1062831045	1062837045	45.0 +0.9/-0					
1062830050		1062831050	1062837050	50.0 +1.0/-0					
		1062831055	1062837055	55.0 +1.1/-0					
		1062831060	1062837060	60.0 +1.2/-0					
		1062831065	1062837065	65.0 +1.3/-0					
		1062831070	1062837070	70.0 +1.4/-0					
		1062831075	1062837075	75.0 +1.5/-0					
		1062831080	1062837080	80.0 +1.6/-0					
	1062831085	1062837085	85.0 +1.7/-0						
	1062831090	1062837090	90.0 +1.8/-0						
	1062831095	1062837095	95.0 +1.9/-0						
	1062831100	1062837100	100.0 +2.0/-0						
	1062831120	TBA	120.0 +2.4/-0						
	1062831150	1062837150	150.0 +3.0/-0						
	1062831300	TBA	300.0 +6.0/-0						
	TBA	1062837400	400.0 +8.0/-0						

THIS DRAWING CONTAINS INFORMATION THAT IS PROPRIETARY TO MOLEX ELECTRONIC TECHNOLOGIES, LLC AND SHOULD NOT BE USED WITHOUT WRITTEN PERMISSION										
DIMENSION UNITS	SCALE	CURRENT REV DESC:			 MOLEX QSFP OPTICAL CABLE ASSEMBLY					
mm	1:1									
GENERAL TOLERANCES (UNLESS SPECIFIED)					EC NO: 743399 DRWN: IGUMIN 2023/03/22 CHK'D: TTYBOR 2023/03/24 APPR: TTYBOR 2023/03/24 INITIAL REVISION: DRWN: IGUMIN 2007/02/13 APPR: IGUMIN 2007/02/13					
ANGULAR TOL	± 0.5°									
4 PLACES	±									
3 PLACES	±									
2 PLACES	±				DOCUMENT NUMBER					
1 PLACE	±				SD-106283-00XX					
0 PLACES	±				DOC TYPE	DOC PART	REVISION			
DRAFT WHERE APPLICABLE MUST REMAIN WITHIN DIMENSIONS		THIRD ANGLE PROJECTION	DRAWING	SERIES	MATERIAL NUMBER	CUSTOMER		SHEET NUMBER		
			D-SIZE	106283	SEE TABLE	GENERAL MARKET		2 OF 2		

DOCUMENT STATUS	P1	RELEASE DATE	2023/03/24	21:15:18
-----------------	----	--------------	------------	----------