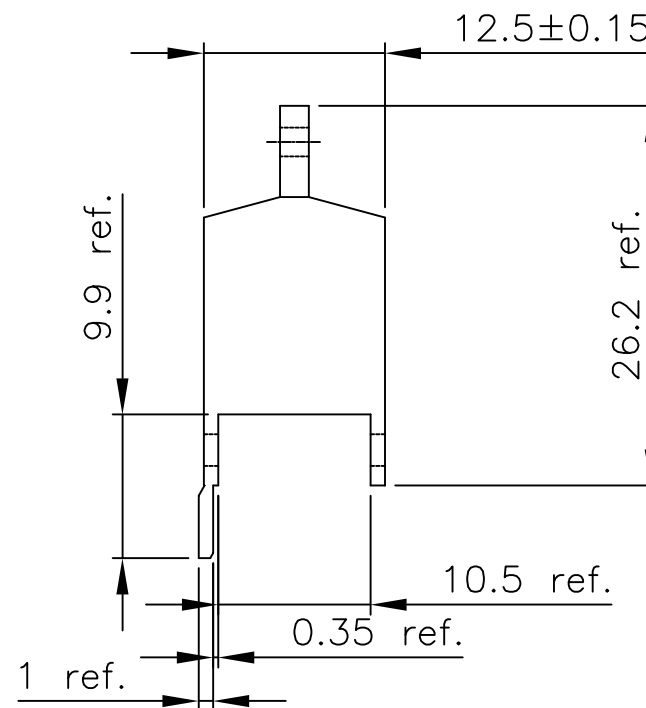
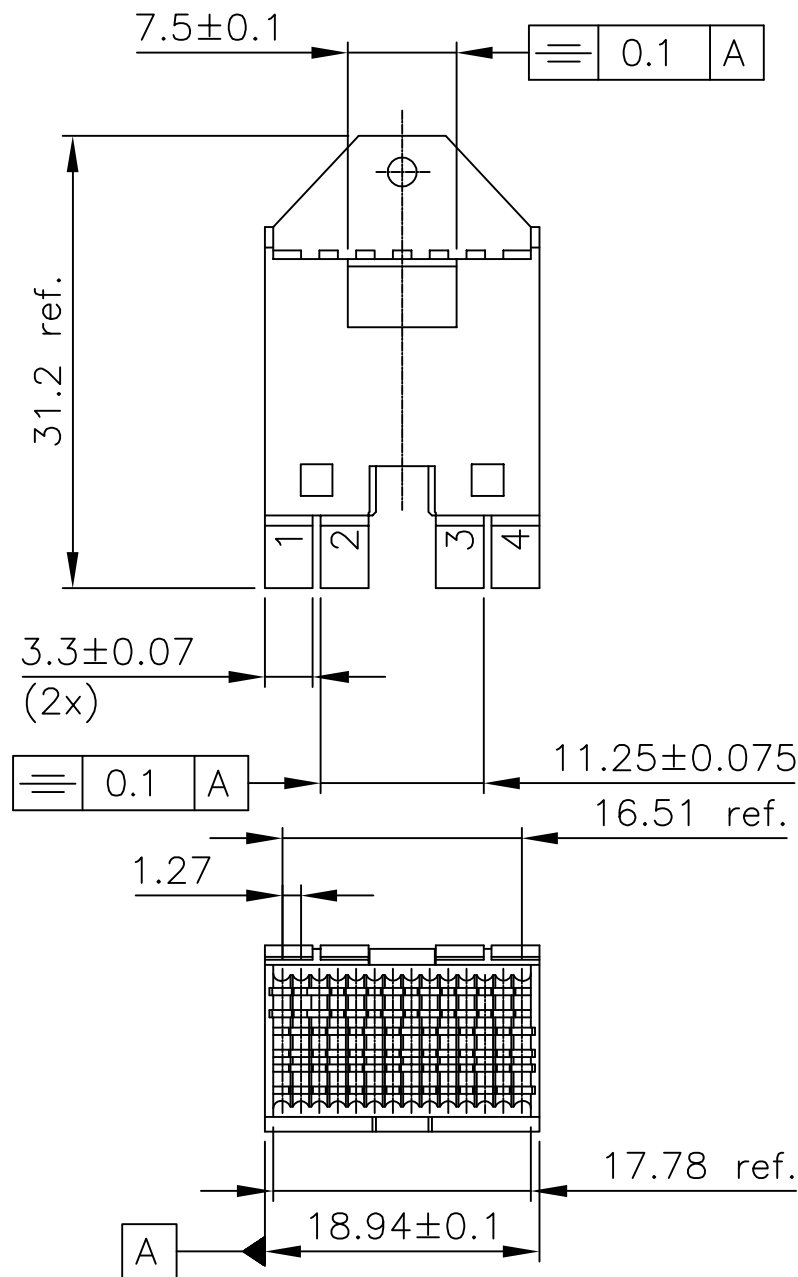


PRODUCT NUMBER	COLOUR	REMARKS
65190-001	BLACK	
65190-002	GREY	NON STANDARD



NOTES:-

1. THIS PRODUCT MEETS EUROPEAN UNION DIRECTIVES AND OTHER COUNTRY REGULATIONS AS DESCRIBED IN GS-22-008.
2. LEADFREE OR RoHS DIRECTIVE LABELLING TO BE PROVIDED AS PER GS-14-920.
3. " LF " SUFFIX TO PRODUCT NUMBER FOR RoHS COMPATIBLE/ LEADFREE VERSION.
4. PARTS WITH AND WITHOUT "LF " SUFFIX ARE FORM-FIT AND FUNCTIONALLY IDENTICAL. " LF " SUFFIX PROVIDED FOR PART NUMBER STANDARDISATION OF PART THAT MEETS RoHS REQUIREMENTS.

Notes:

1. Material: Thermoplastic polyester, 30% glass filled flame retardant per UL-94-V0, colour see table

mat'l. code see note		surface ISO 1302 ✓		tolerance ISO 406 ISO 1101		projection mm		product family	
ltr	ecn no	dr	date	tolerances unless otherwise specified		mm		title	
D	H20812	MVI	921218	angles	linear	scale 2:1		PIERCE COVER 3x7 positions	
E	I05-0123	MINI	05.07.27					dwg no	
F	I05-0248	MINI	05.11.22					sheet 1 of 1 size	
		dr	M. Visschers	921218			65190		A3
		engr					type		CUSTOMER Drawing
		chr	Rakhee George	05.11.22					
		app	Rakhee George	05.11.22					
sheet index	revision sheet	F	1						