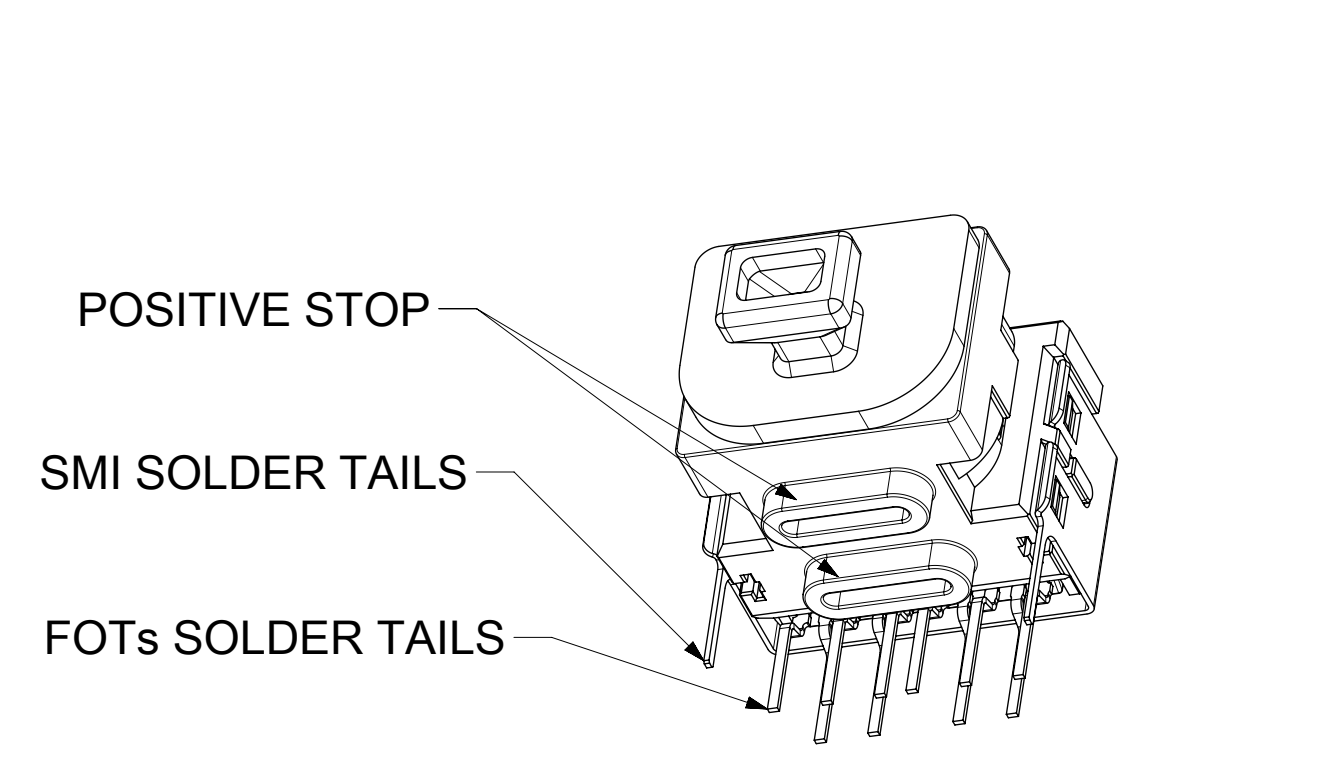
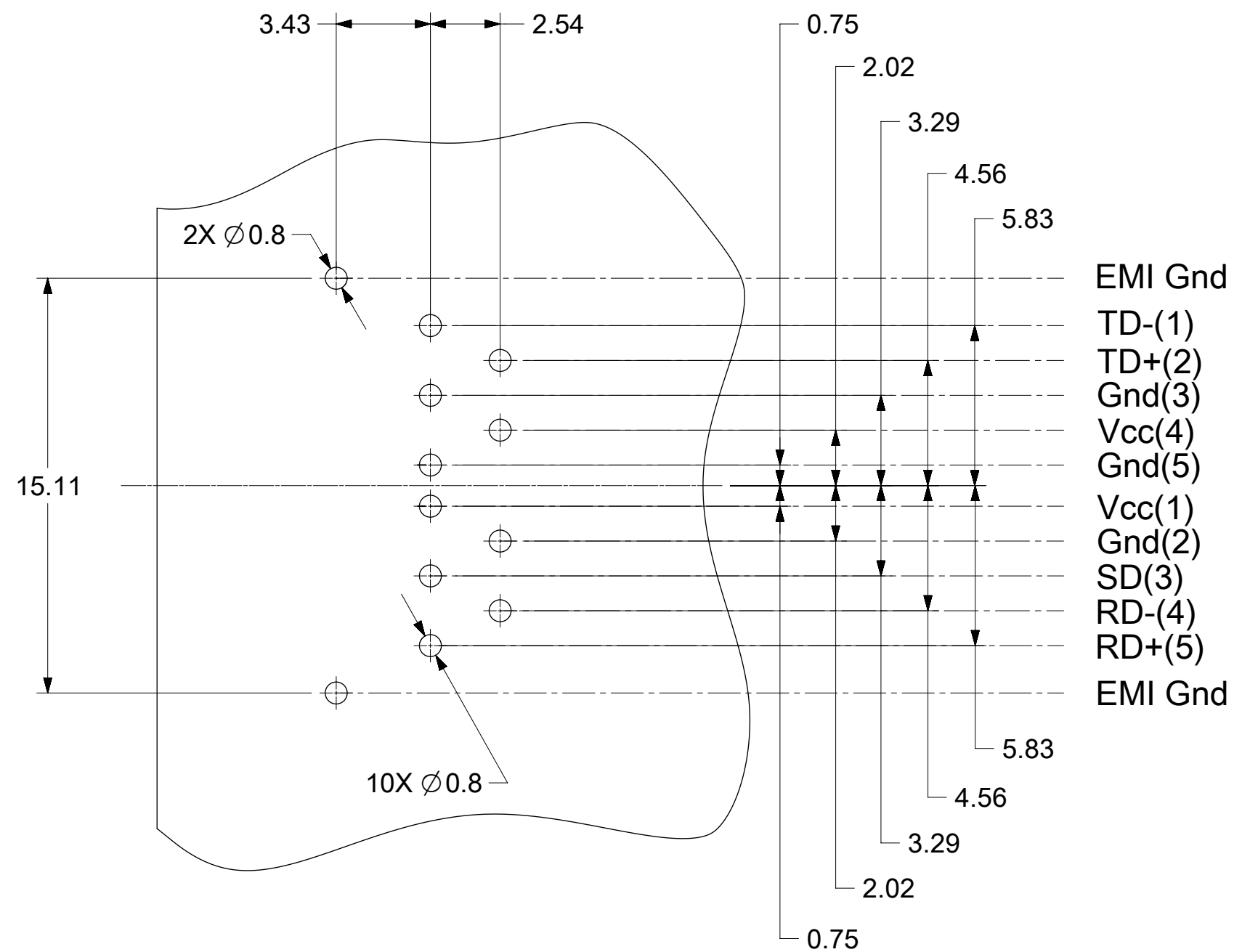
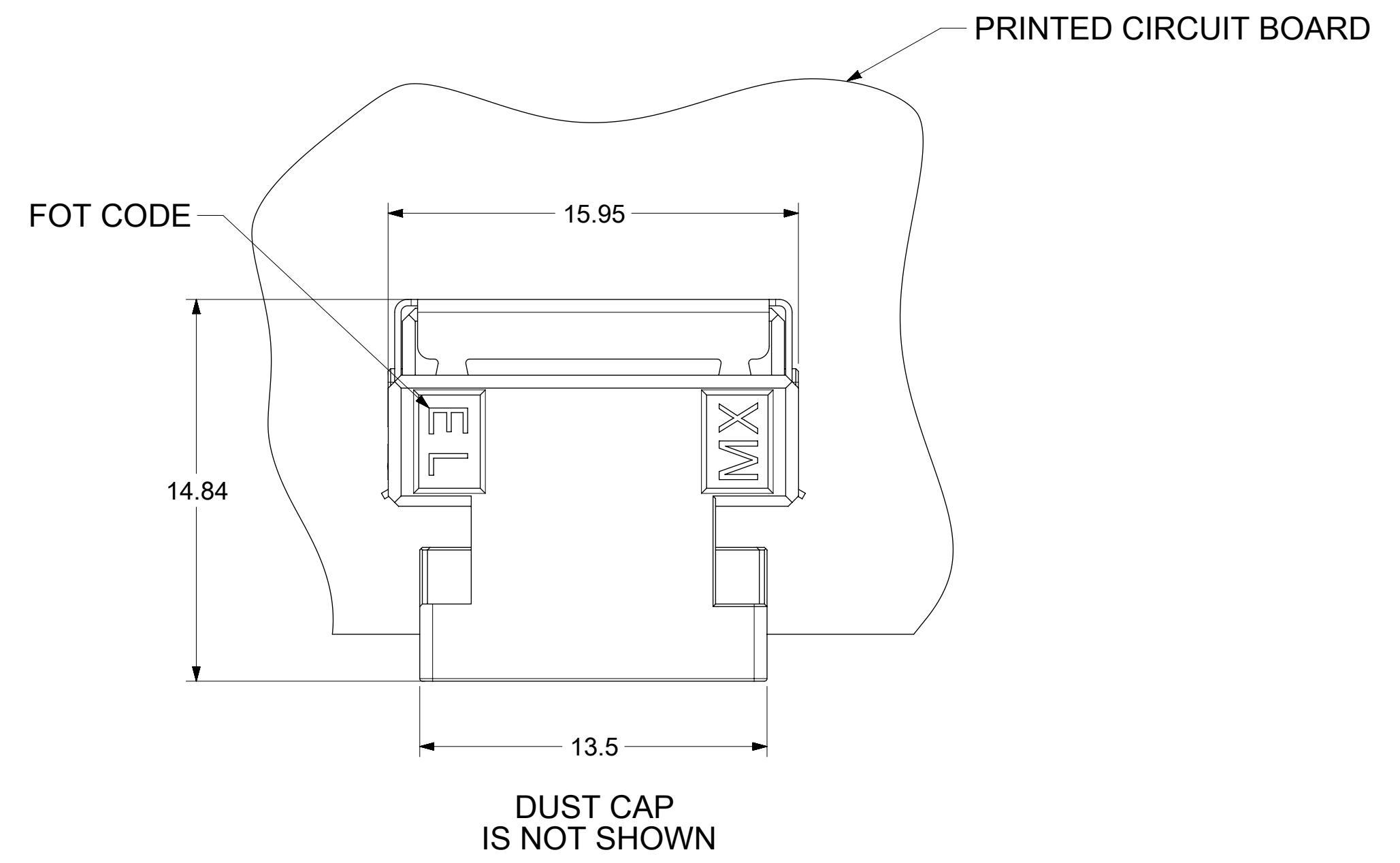
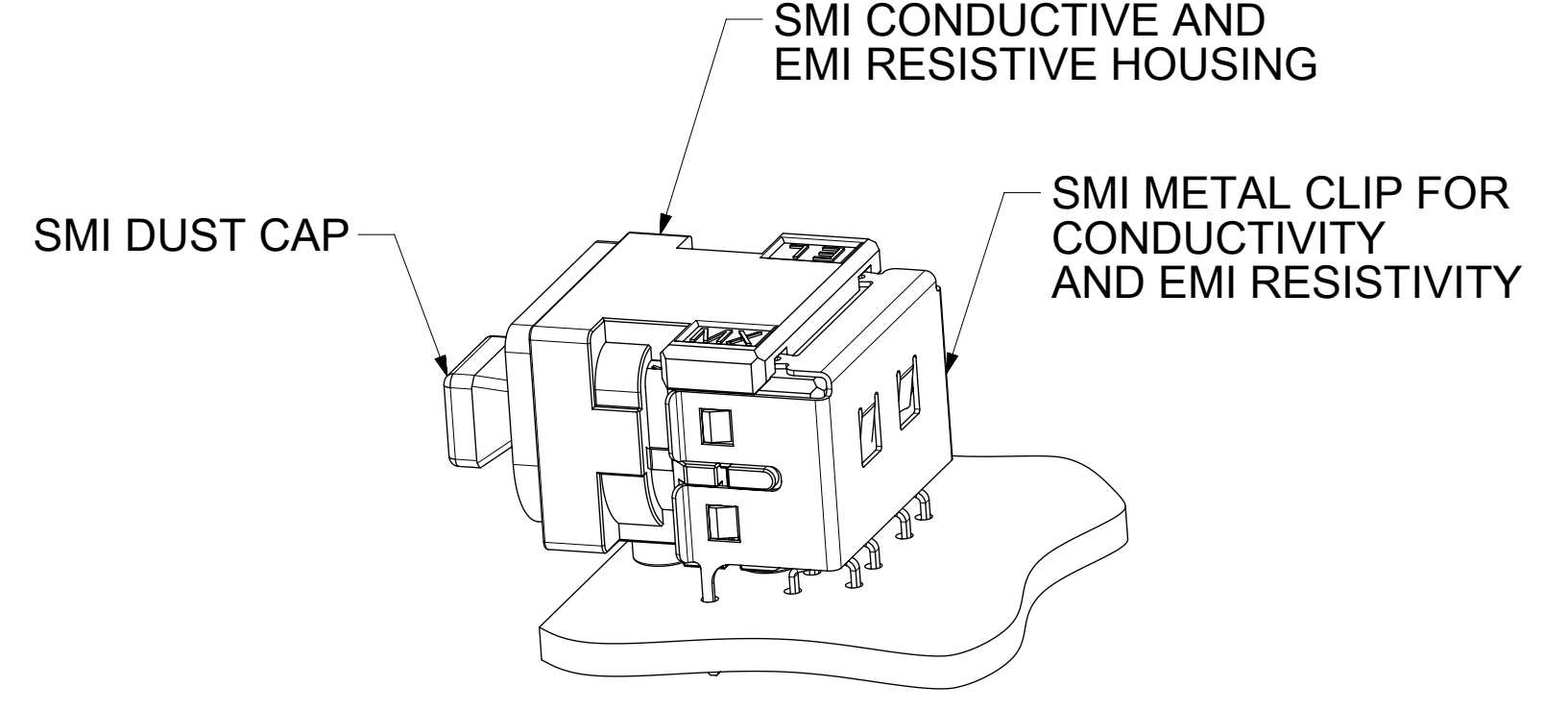
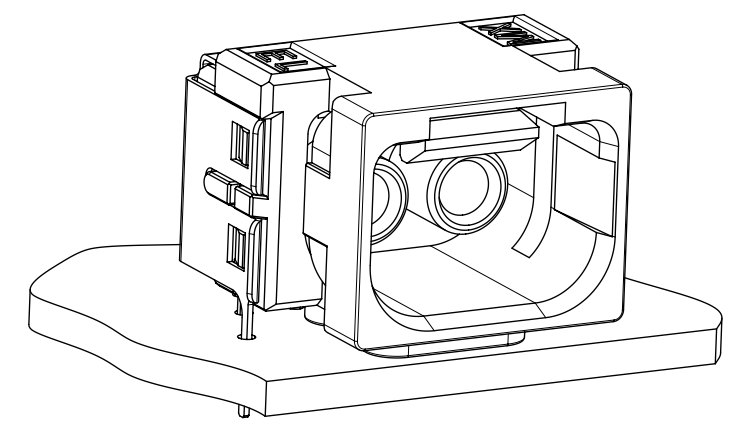


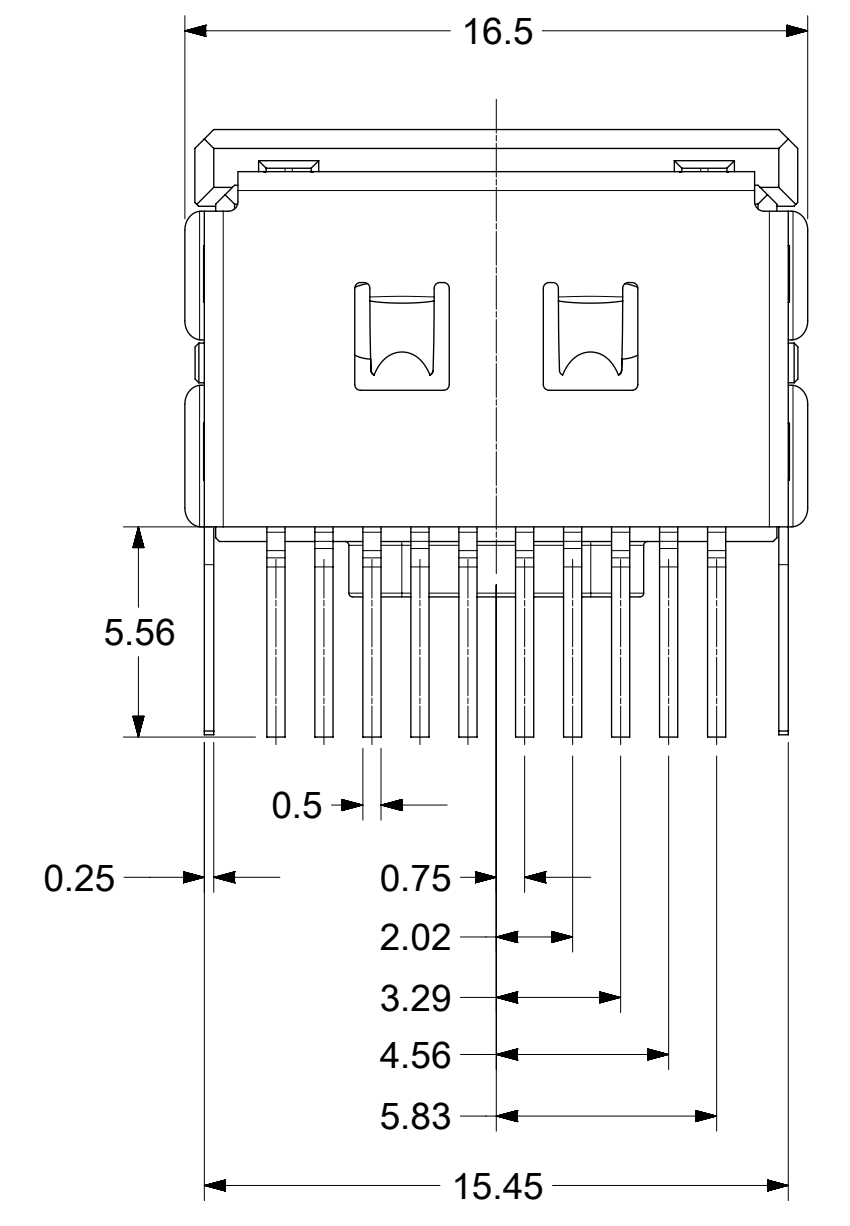
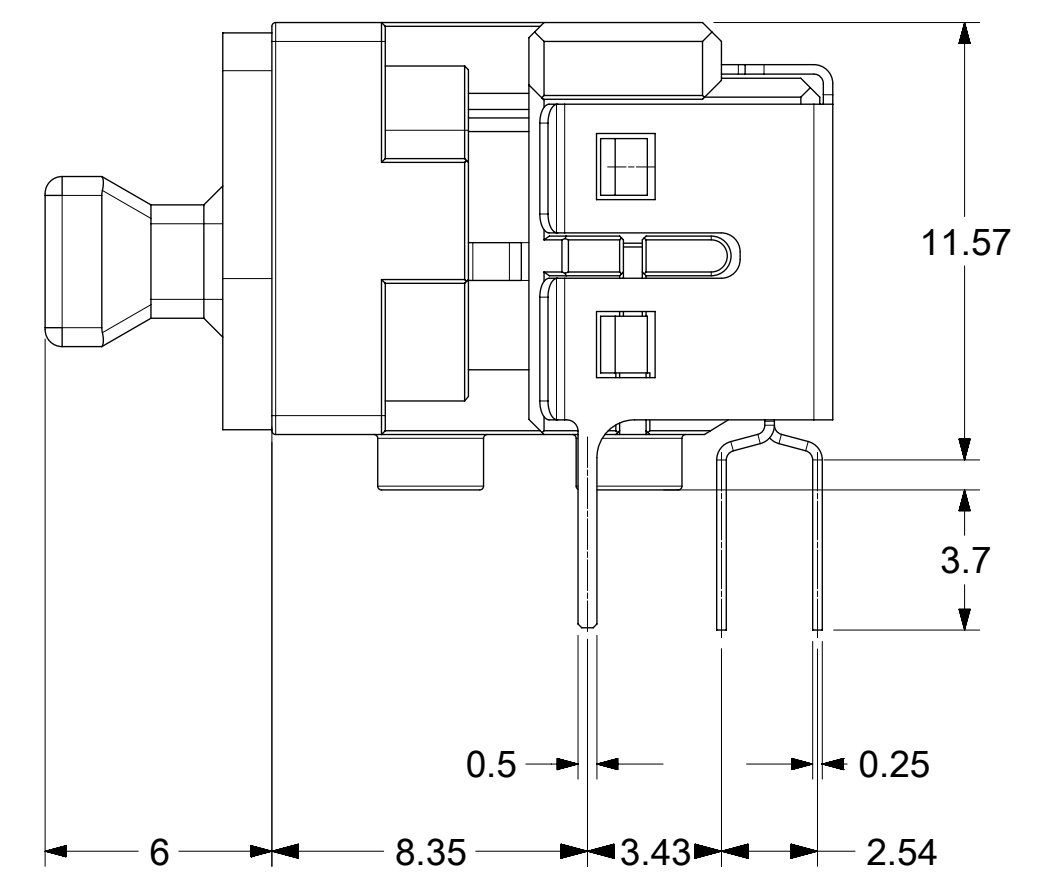
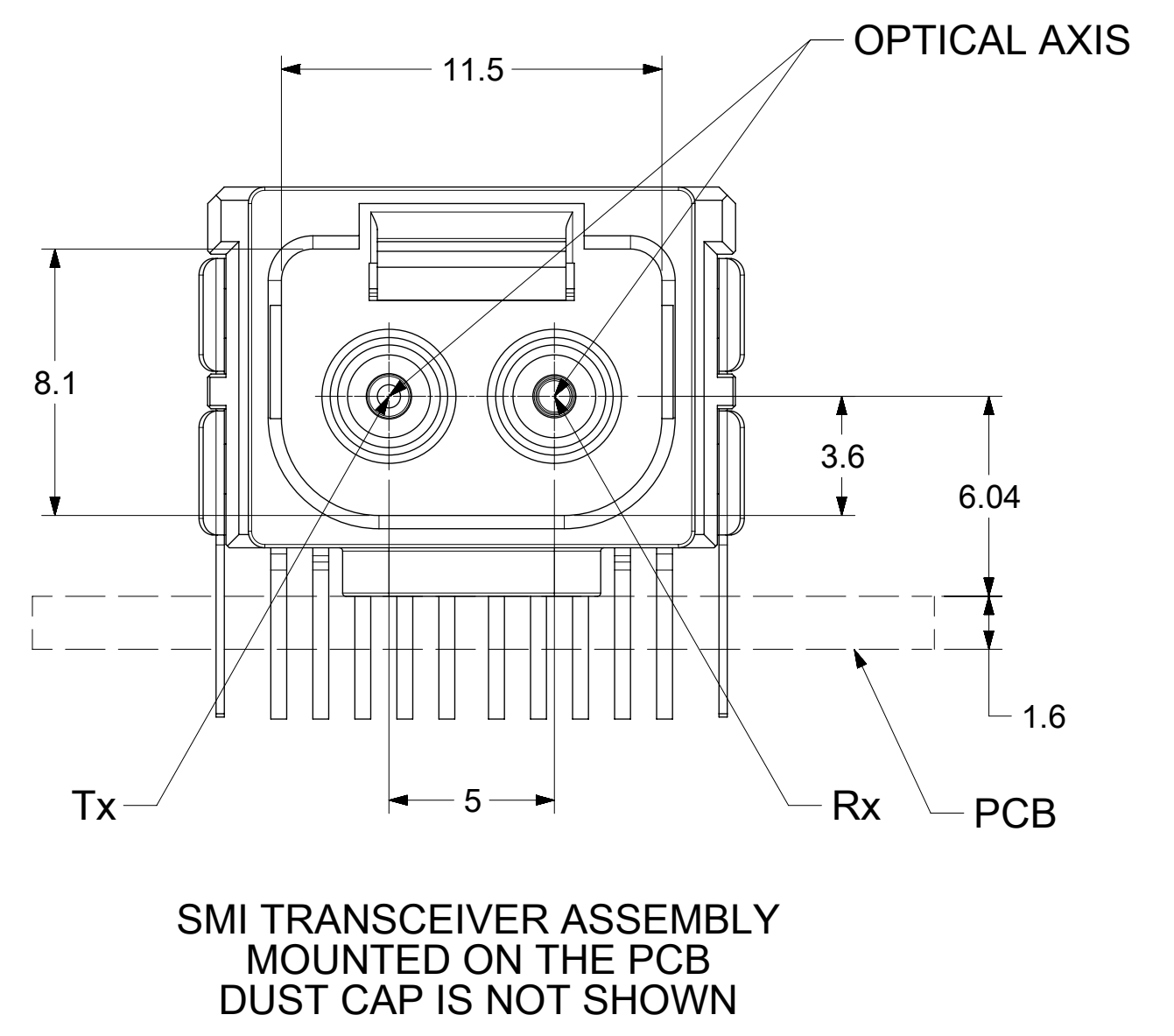
SMI TRANSCEIVER ASSEMBLY P/N	FOT's TYPE	FOT CODE
1061083100	ETHERNET 10/100	EL
1061084100	INDUSTRIAL DATA LINK	ID



ISOMETRIC VIEWS
SCALE 3:1



RECOMMENDED PCB LAYOUT
DIMENSIONS TOLERANCE: ±0.1mm



- NOTES:
1. ALL DIMENSIONS ARE FOR REFERENCE ONLY EXCEPT FOR RECOMMENDED PCB LAYOUT.
 2. SMI TH TRANSCEIVERS MAY BE SOLDERED TO MAX 260°, MAX 10s, ONE TIME ONLY, AT LEAST 2.20mm AWAY FROM LEAD ROOT. RE-FLOW OVEN SOLDERING IS NOT APPROVED AT THIS TIME. FOR MORE DETAILS SEE DATASHEET.

QUALITY SYMBOLS	THIS DRAWING CONTAINS INFORMATION THAT IS PROPRIETARY TO MOLEX ELECTRONIC TECHNOLOGIES, LLC AND SHOULD NOT BE USED WITHOUT WRITTEN PERMISSION								
▽ = 0	2016/07/12	2016/08/23	GENERAL TOLERANCES (UNLESS SPECIFIED)	DIMENSION UNITS	SCALE				
▽ = 0			MM	5:1					
▽ = 0	DRWN BY	DATE	ANGULAR TOL ± °	DRWN BY	DATE		SMI TRANSCEIVER ASSEMBLY TH SOLDERING		
▽ = 0	SBOJANIC	2016/07/12	4 PLACES ±	SBOJANIC	2016/07/12				
▽ = 0	EC NO: 107440 DRWN: SBOJANIC CHKD: IGUMIN REV APPR: IGUMIN	2016/08/23	3 PLACES ±	CHKD BY	DATE	PRODUCT CUSTOMER DRAWING			
▽ = 0			2 PLACES ±	APPR BY	DATE				
▽ = 0			1 PLACE ±	IGUMIN	2016/08/23	SERIES	MATERIAL NUMBER	CUSTOMER	
▽ = 0			0 PLACES ±	DRAFT WHERE APPLICABLE MUST REMAIN WITHIN DIMENSIONS	DRAWING SIZE	THIRD ANGLE PROJECTION	106108	SEE TABLE	
▽ = 0	D	6	D	D	1061083100	PSD 000	DOC TYPE	DOC PART	SHEET NUMBER
▽ = 0									1 OF 1