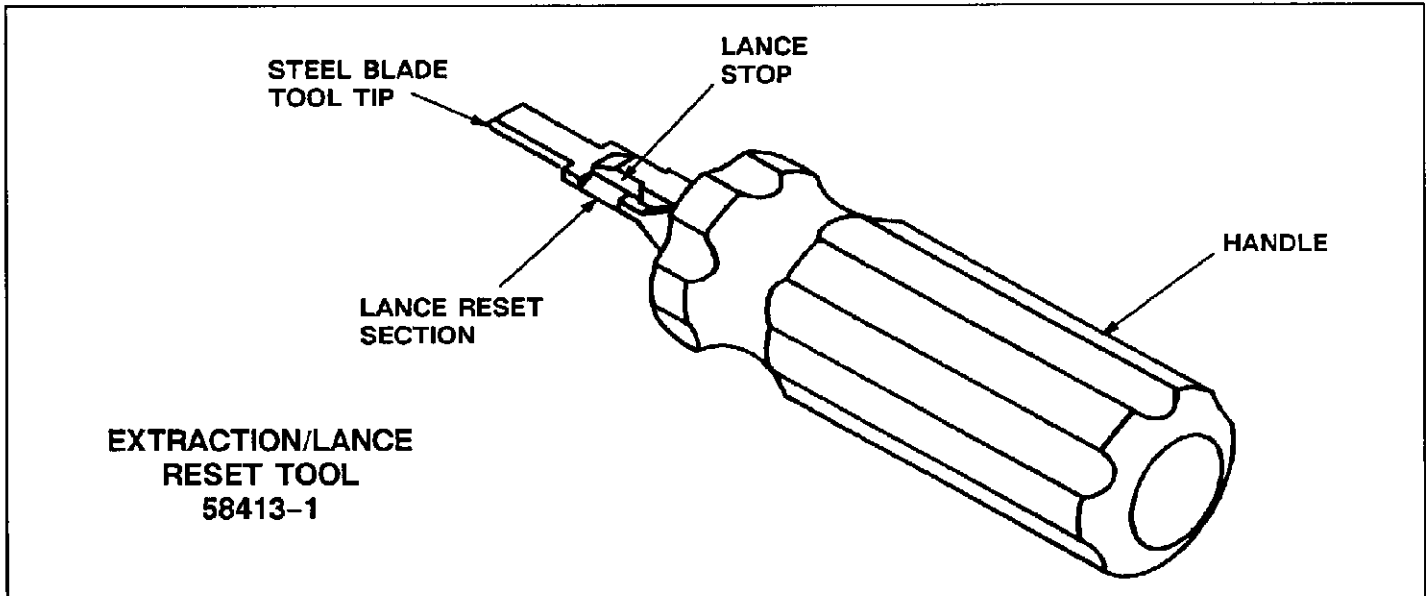


**AMP**AMP INCORPORATED  
HARRISBURG, PA 17105

REDUCED FOR PACKAGING

**IS 9520**CUSTOMER HOTLINE  
1 800 722-1111AMP\* EXTRACTION/LANCE RESET  
TOOL 58413-1 FOR HIGH CURRENT  
COMMERCIAL CONNECTORSRELEASED  
6-9-89

EXTRACTION TOOL	CONNECTOR PART NUMBERS	TERMINAL PART NUMBERS	WIRE SIZES (AWG)
58413-1	641685 643267	770142	6
		350650	12-8
		350651	16-12

Fig. 1

## 1. INTRODUCTION

This instruction sheet covers the use and maintenance of AMP Extraction/Lance Reset Tool 58413-1. The tool is designed to extract Hermaphroditic Terminals 770142, 350650, and 350651 from AMP High Current Commercial Connectors (HC<sup>3</sup>) 641685 and 643267. Read these instructions and all referenced material thoroughly before extracting any terminals.

Refer to AMP Product Specification 108-1036 for information concerning product requirements, and AMP Application Specification 114-1004 for information on cable and insulation ranges, cable preparation, and crimp and dimensional requirements relative to the product.

**NOTE**

*All dimensions on this instruction sheet are in inches.*

## 2. DESCRIPTION (Figure 1)

The tool features a plastic handle, a steel blade tip, a lance reset section, and a lance stop. The tool tip

functions as a lance release, depressing the locking lance to allow extraction of the terminal from the connector cavity. The lance stop aids in adjusting the height of the locking lance during the reset procedure.

## 3. EXTRACTION PROCEDURE (Figure 2)

1. Unmate connector assembly (release locking latches and pull the connectors apart). Hold mating face of connector toward you and orient the connector cavities as shown in Figure 2.
2. Gently insert tool tip into the connector cavity until the tool tip butts against the locking lance.
3. To depress the locking lance, tilt the tool tip toward the locking lance.
4. Pull back on wire assembly to remove terminal from the wire-entry (rear) face of housing; then remove extraction tool from the cavity.

**CAUTION**

*To prevent damage to the terminal, make sure the locking lance is fully depressed before removing terminal from cavity.*

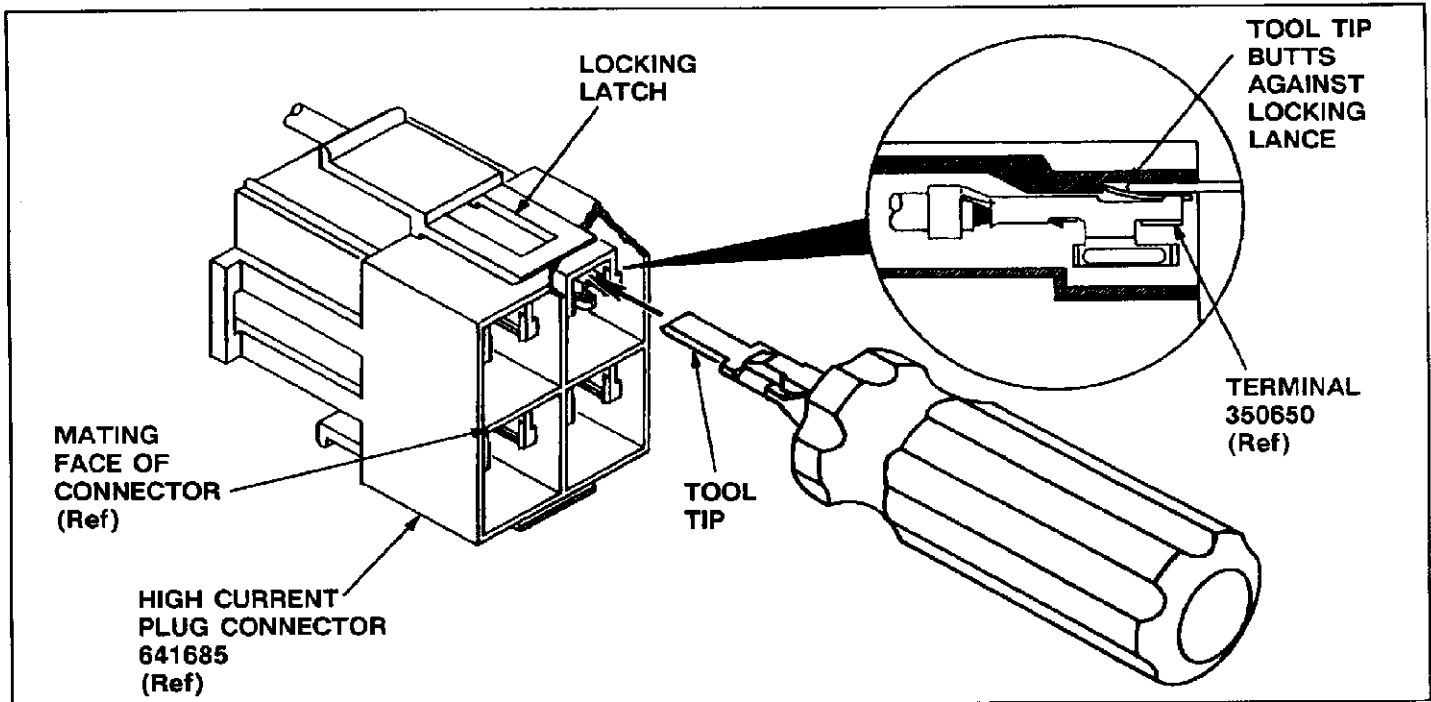


Fig. 2

5. If extracted terminal is to be re-used, locking lance must be reset using the lance reset section on the tool tip. See Figure 3.

6. Hold tool perpendicular to the terminal assembly and slide the lance reset section of tool under the locking lance. Push the tool tip toward the front of the terminal until the locking lance butts against the lance stop. See Figure 3.

**NOTE**

*If locking lance is depressed too far, position tool at a 45° angle; then slide the lance reset section under locking lance. When reset section is properly positioned, rotate tool tip so that it is parallel with the terminal.*

7. Using a micrometer or vernier caliper, measure reset dimension of locking lance. Dimension should measure  $.060 +.010/-.005$  as shown in Figure 4.

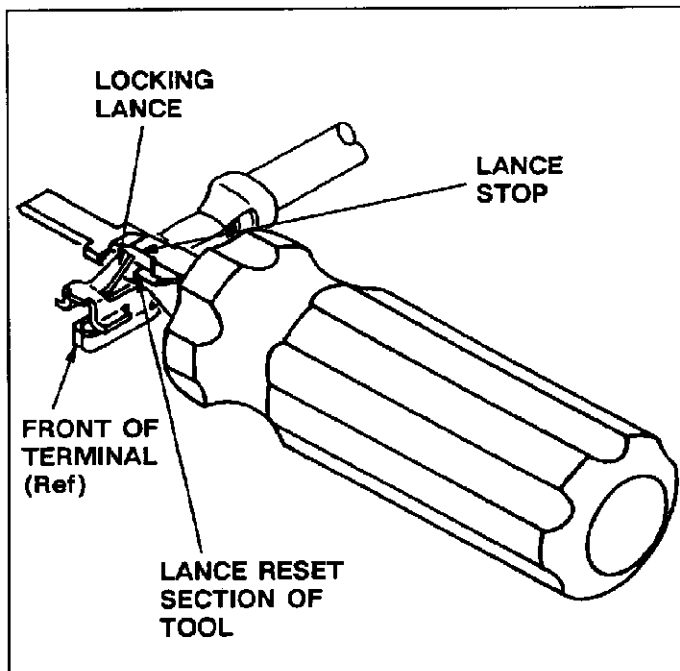


Fig. 3

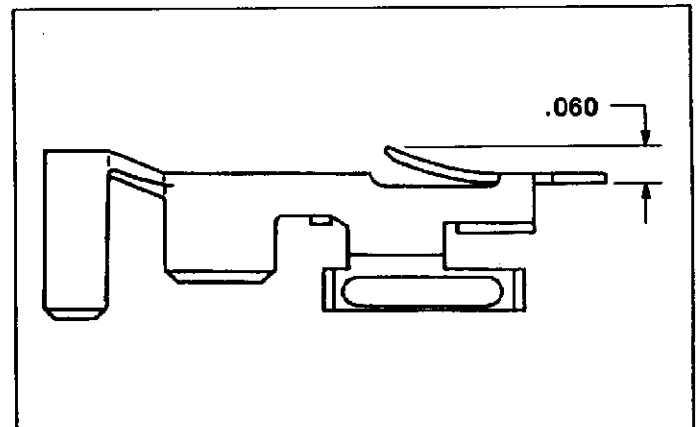


Fig. 4

**NOTE**

*Reset dimension must not exceed .070 in.*

8. After locking lance is properly reset, re-insert terminal through the wire entry (rear) face of the housing. Terminal must be oriented with the locking lance positioned toward the top of the connector. Push terminal into cavity until it snaps into position.

#### 4. TOOL INSPECTION/REPLACEMENT (Figure 5)

AMP Extraction/Lance Reset Tool 58413-1 is inspected before shipment. AMP recommends that the tool be

inspected immediately upon its arrival at your facility to ensure that the tool conforms to the dimensions provided in Figure 5, and to ensure that the tool has not been damaged during shipment.

Tools can be replaced by contacting:

AMP Incorporated  
P.O. Box 3608  
Harrisburg, PA 17105-3608

or a wholly owned subsidiary of AMP Incorporated.

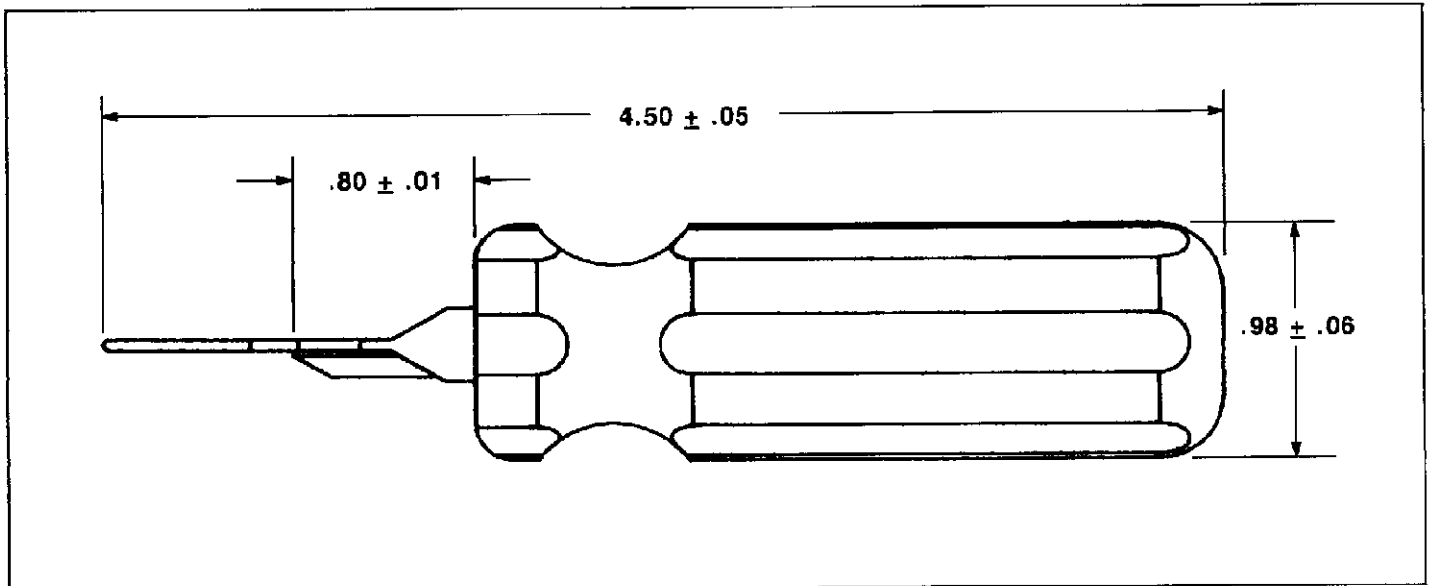


Fig. 5