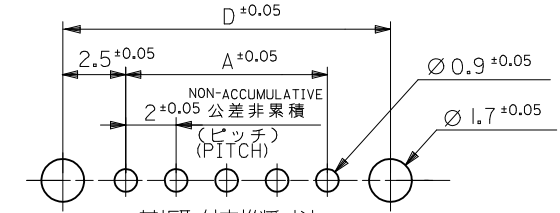
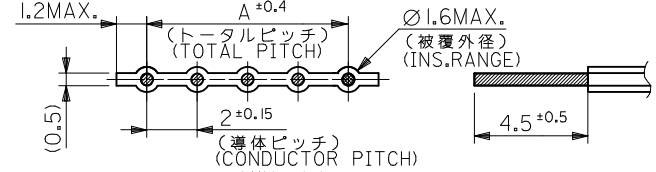


電線挿入図  
SECT.(CABLE ASS'Y)

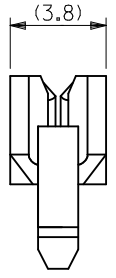
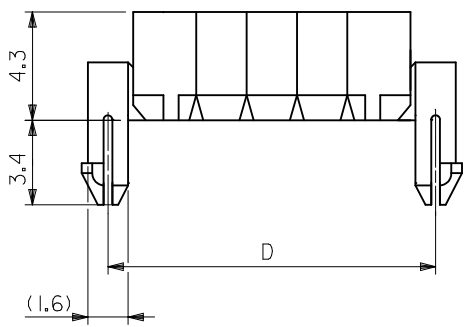


基板取付穴推奨寸法  
RECOMMENDED P.C.BOARD HOLE DIM.  
(t = 1.6 ± 0.05)



適合電線推奨寸法  
RECOMMENDED WIRE DIM.

37	35	34.6	32	51048-1710	17
35	33	32.6	30	-1610	16
33	31	30.6	28	-1510	15
31	29	28.6	26	-1410	14
29	27	26.6	24	-1310	13
27	25	24.6	22	-1210	12
25	23	22.6	20	-1110	11
23	21	20.6	18	-1010	10
21	19	18.6	16	-0910	9
19	17	16.6	14	-0810	8
17	15	14.6	12	-0710	7
15	13	12.6	10	-0610	6
13	11	10.6	8	-0510	5
11	9	8.6	6	-0410	4
9	7	6.6	4	-0310	3
7	5	4.6	2	51048-0210	2
D	C	B	A	ENG. NO.	極致 CKTS.



注記  
NOTES

1. 材料：ナイロン66、UL94V-0  
MATERIAL : NYLON66 , UL94V-0
2. 適合電線：2mmピッチリボンケーブル  
AWG#26錫コート平行線  
APPLICABLE WIRE : 2mm PITCH  
RIBBON CABLE WIRE  
AWG#26, TOP COATED WIRE  
Ø1.6 MAX.

REVISED EC NO. J2012-0577 DRWN:SSATO02 CHKD:KASAKAWA APPR:YOITO REV C	DESCRIPTION 2011/10/31 2011/10/31 2011/10/31	GENERAL TOLERANCES (UNLESS SPECIFIED)		DIMENSION STYLE MM ONLY		SCALE 5:1	DESIGN UNITS METRIC	THIRD ANGLE PROJECTION		
		10 UNDER	±0.2	DRAWN BY H. SEKINE	DATE '89/9/14	TITLE 2.0MM PITCH CABLE HOLDER (FOR 4.5MM STRIP LENGTH)				
		10 OVER 30 UNDER	±0.25	CHECKED BY	DATE	APPROVED BY YOITO				
		30 OVER	±0.3	APPROVED BY YOITO		DATE 2011/10/31	MATERIAL NO. SEE CHART		DOCUMENT NO. SD-51048-**-10	
ANGULAR ±3 °		DRAFT WHERE APPLICABLE MUST REMAIN WITHIN DIMENSIONS		SIZE A3	THIS DRAWING CONTAINS INFORMATION THAT IS PROPRIETARY TO MOLEX INCORPORATED AND SHOULD NOT BE USED WITHOUT WRITTEN PERMISSION					
						MOLEX INCORPORATED		SHEET NO. 1 OF 1		