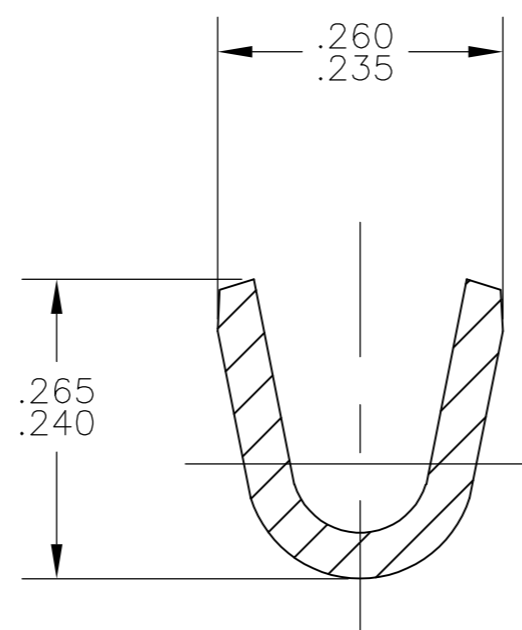
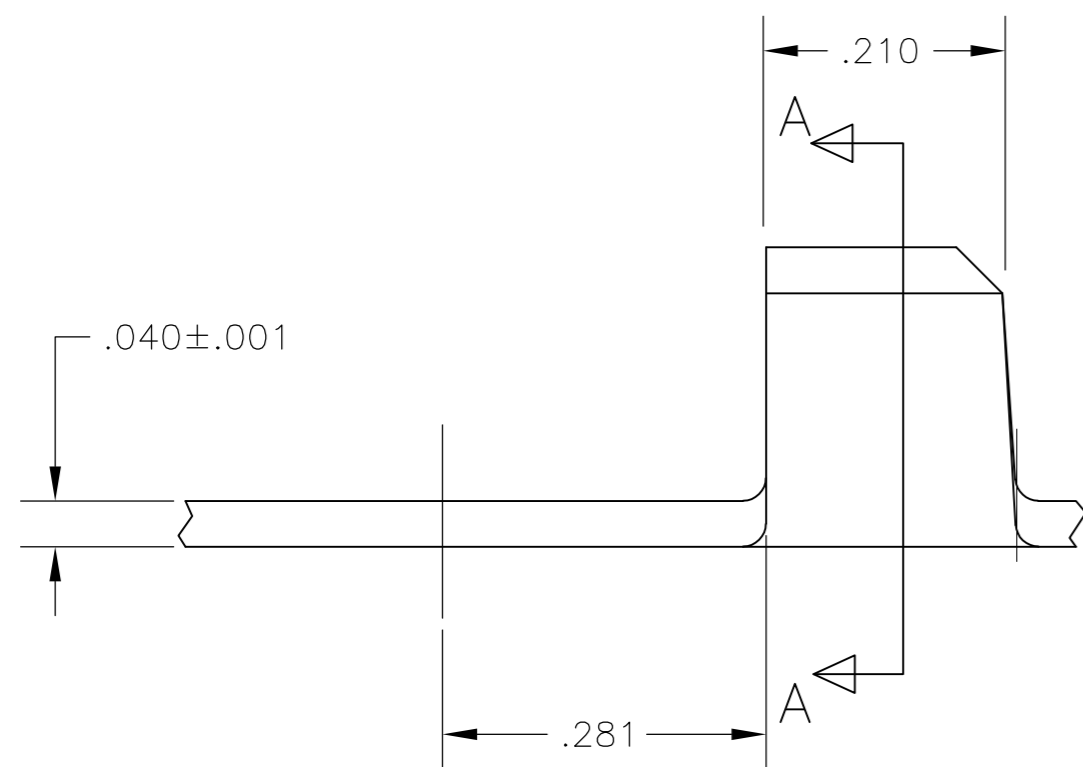
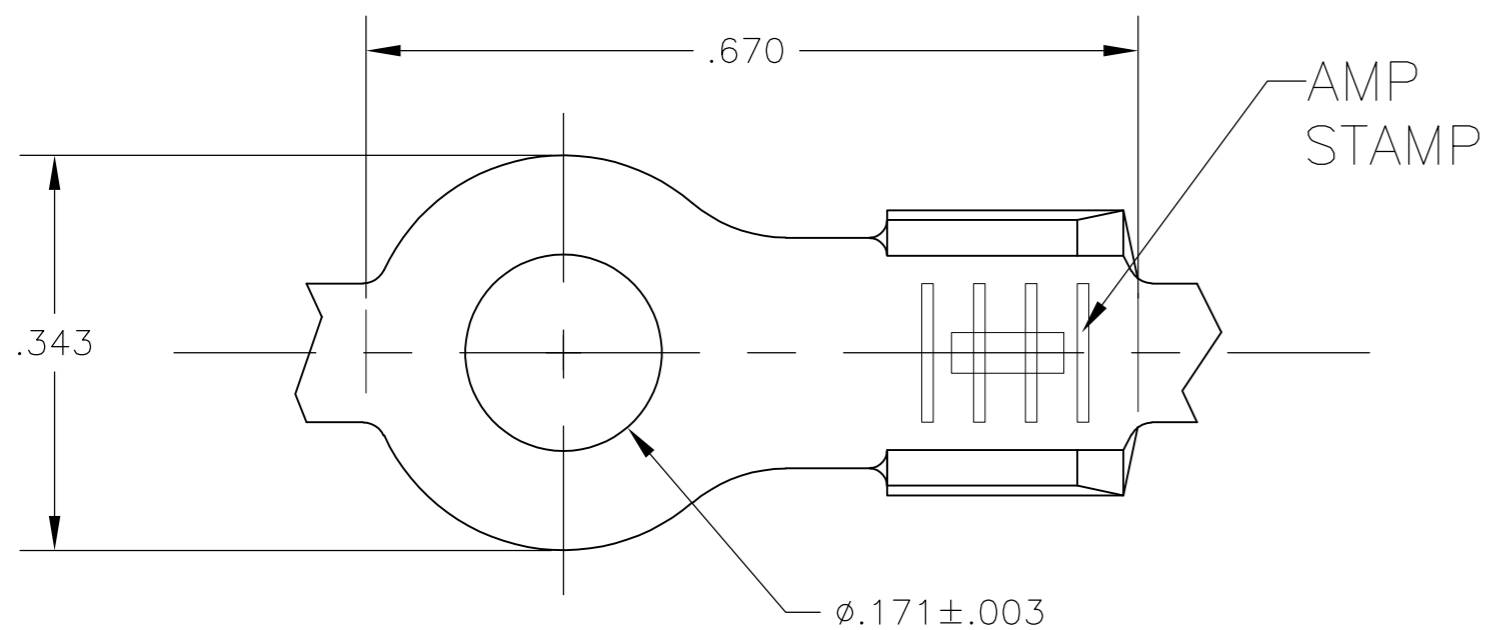


THIS DRAWING IS UNPUBLISHED. RELEASED FOR PUBLICATION
 © COPYRIGHT 64 BY TYCO ELECTRONICS CORPORATION. ALL INTERNATIONAL RIGHTS RESERVED.

LOC	DIST	REVISIONS			
P	LTR	DESCRIPTION	DATE	DWN	APVD
AF	50	AA	REVISED PER ECR-10-006099	07JUL10	HMR PD

△ 1 CONTINUOUS STRIP ON REELS.



SECTION "A-A"

12-10 AWG	082 BRASS	40523
WIRE RANGE	MATERIAL	PART NUMBER

THIS DRAWING IS A CONTROLLED DOCUMENT.		DWN 14FEB2002 MICHAEL S. FEHER	Tyco Electronics Corporation Harrisburg, PA 17105-3608
DIMENSIONS: INCHES		CHK 14FEB2002 DONALD F. DECKER	
TOLERANCES UNLESS OTHERWISE SPECIFIED:		APVD 14FEB2002 DONALD F. DECKER	NAME
0 PLC ± - 1 PLC ± - 2 PLC ± - 3 PLC ± .010 4 PLC ± - ANGLES ± 1°		PRODUCT SPEC	TERMINAL, RING #8 STUD
MATERIAL SEE TABLE		FINISH TIN	WEIGHT -
		APPLICATION SPEC	RESTRICTED TO -
CUSTOMER DRAWING		SCALE 6:1	SHEET 1 of 1
SIZE A2		CAGE CODE 00779	DRAWING NO. C=40523
REV AA			