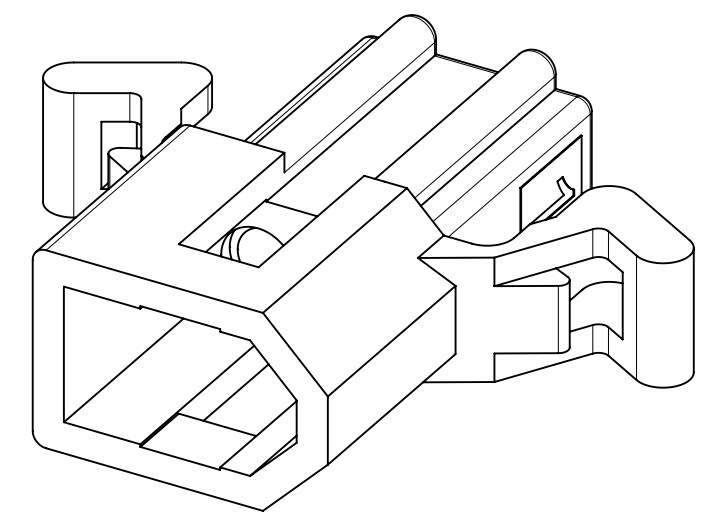
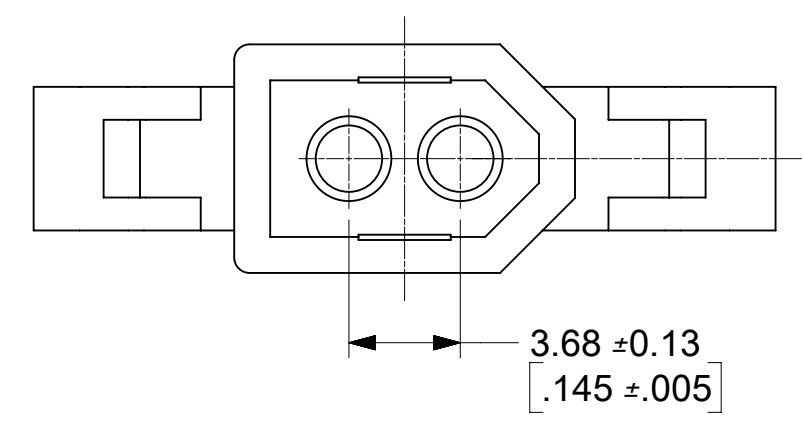
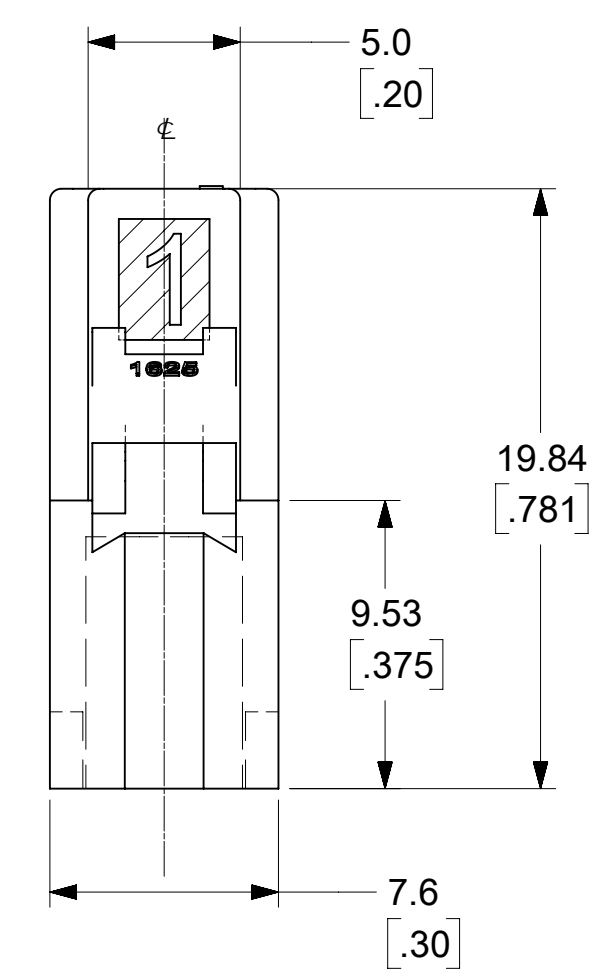
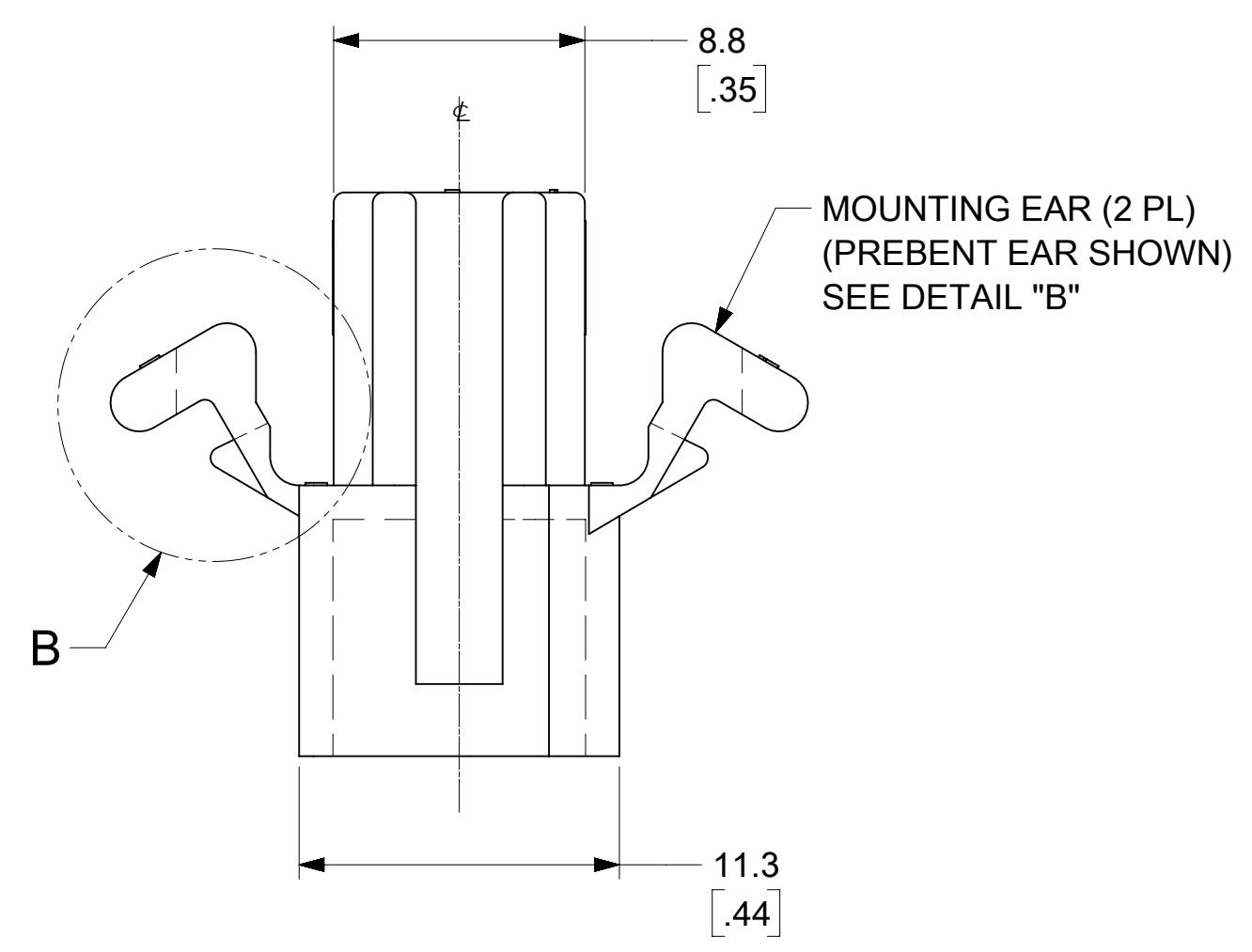
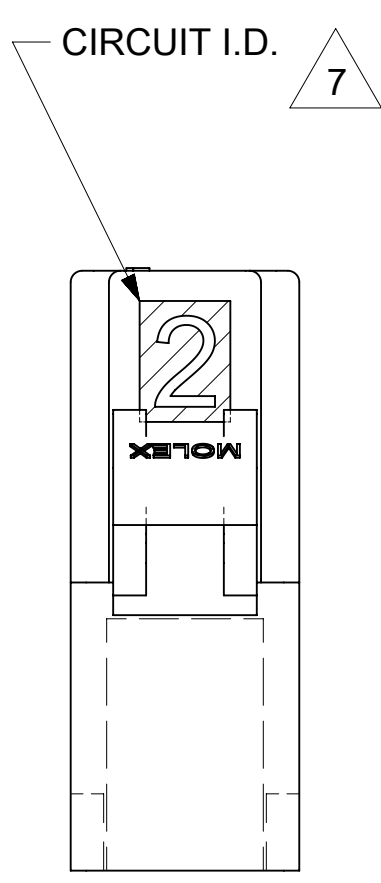


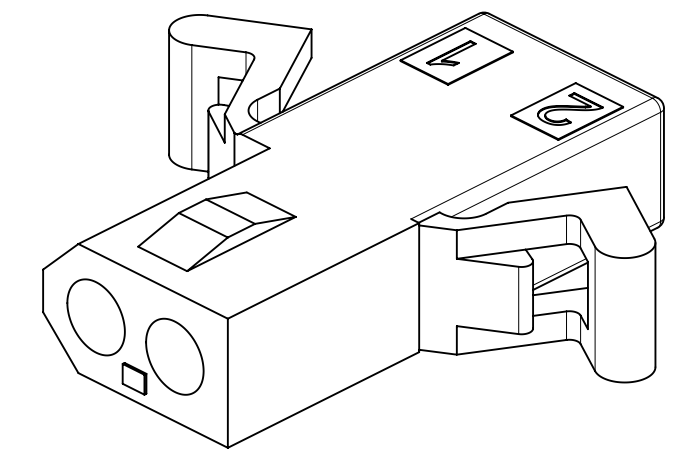
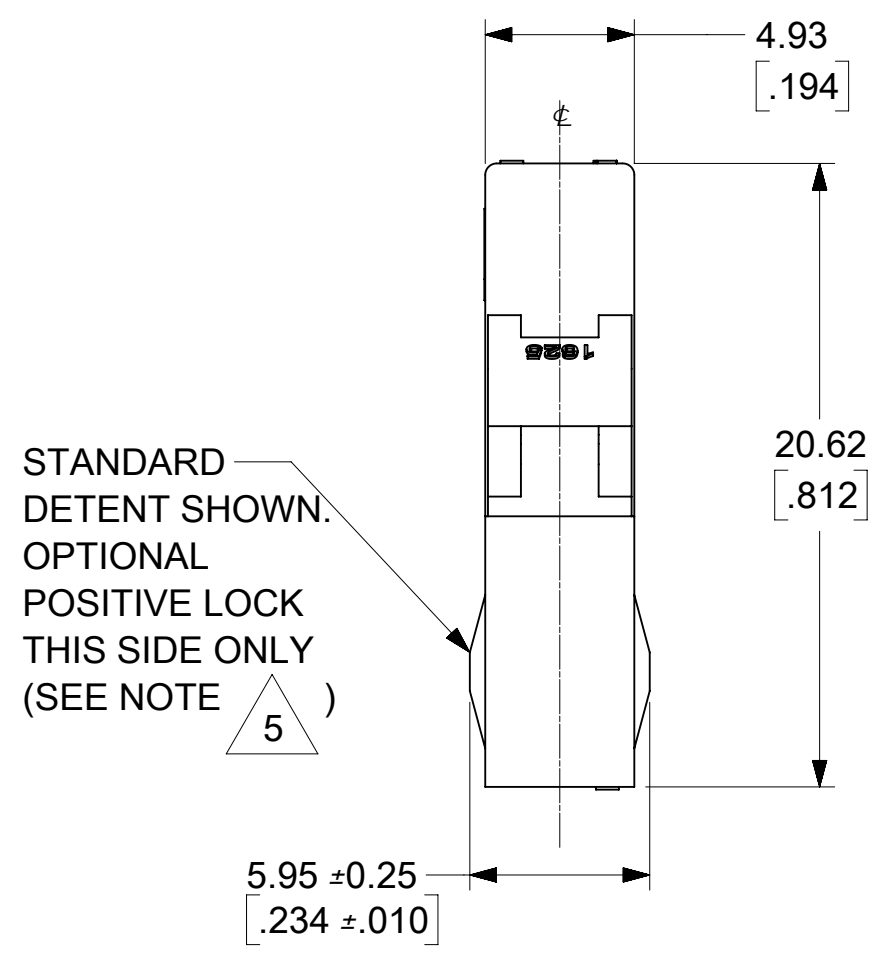
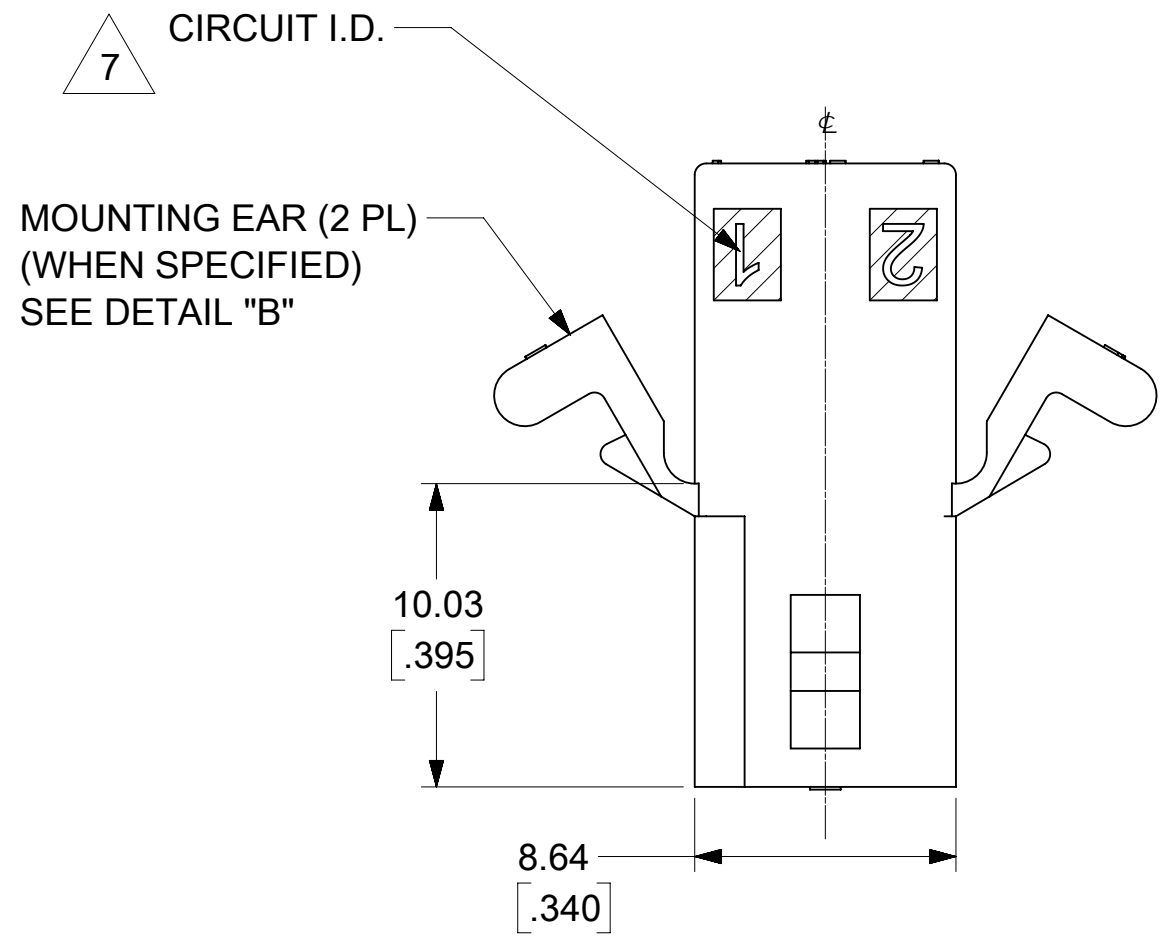
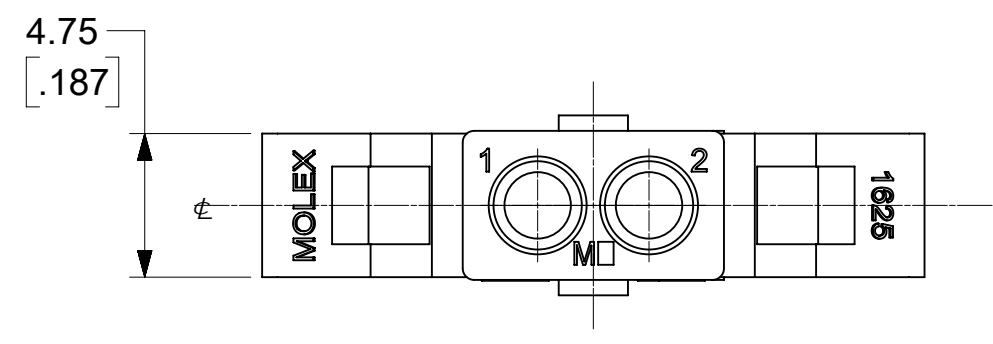
PLUG HOUSING WITH NO EARS



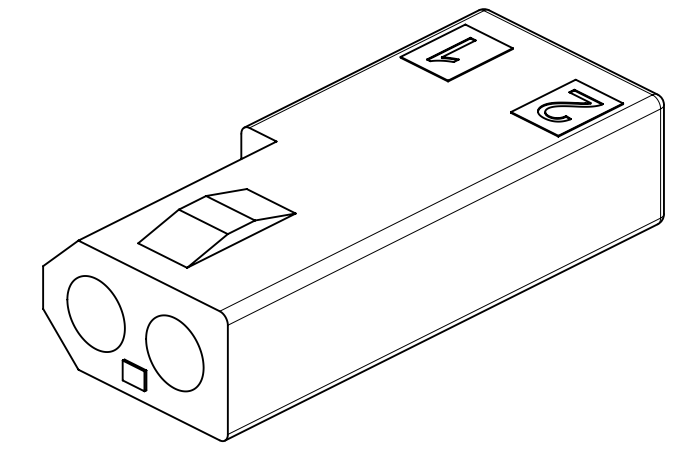
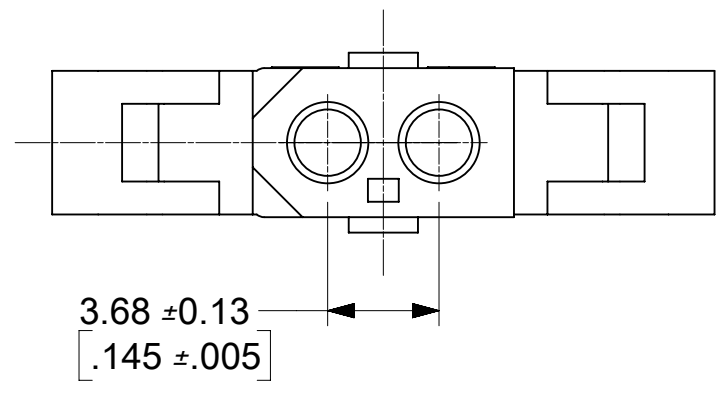
PLUG HOUSING WITH PREBENT EARS



THIS DRAWING CONTAINS INFORMATION THAT IS PROPRIETARY TO MOLEX ELECTRONIC TECHNOLOGIES, LLC AND SHOULD NOT BE USED WITHOUT WRITTEN PERMISSION										
QUALITY SYMBOLS	REDRAWING IN NX	EC NO: 120335	DRWN: MKIPPER	CHKD: MKIPPER	REV / APPR: FSMITH	GENERAL TOLERANCES (UNLESS SPECIFIED)		DIMENSION UNITS	SCALE	
						MM	INCH	MM/IN	4:1	
▽ = 0	2017/07/17	2017/08/09	2017/08/10	4 PLACES	±	±	DRWN BY	DATE	<p>.062 2CKT PLUG AND RECEPTACLE HOUSING</p> <p>PRODUCT CUSTOMER DRAWING</p>	
▽ = 0	3 PLACES	±	± 0.007	CHK'D BY	DATE	ZHARPER	2017/06/20			
▽ = 0	2 PLACES	± 0.18	± 0.01	APPR BY	DATE	MKIPPER	2017/06/20			
▽ = 0	1 PLACES	± 0.25	±	DATE	DATE	FSMITH	2017/06/30			
▽ = 0	0 PLACES	±	±	ANGULAR TOL = 1.0	DRAWING SIZE	THIRD ANGLE PROJECTION	C			
□ = 0	DRAFT WHERE APPLICABLE MUST REMAIN WITHIN DIMENSIONS								SERIES: 1625	
■ = 0									MATERIAL NUMBER: SEE CHART	
▽ = 0									CUSTOMER: SEE CHART	
		DOCUMENT NUMBER: 16250200-SD		DOC TYPE: PSD		DOC PART: 000		SHEET NUMBER: 1 OF 3		



RECEPTACLE HOUSING
(1625-2R2 SHOWN)



RECEPTACLE HOUSING
(1625-2R3 SHOWN)

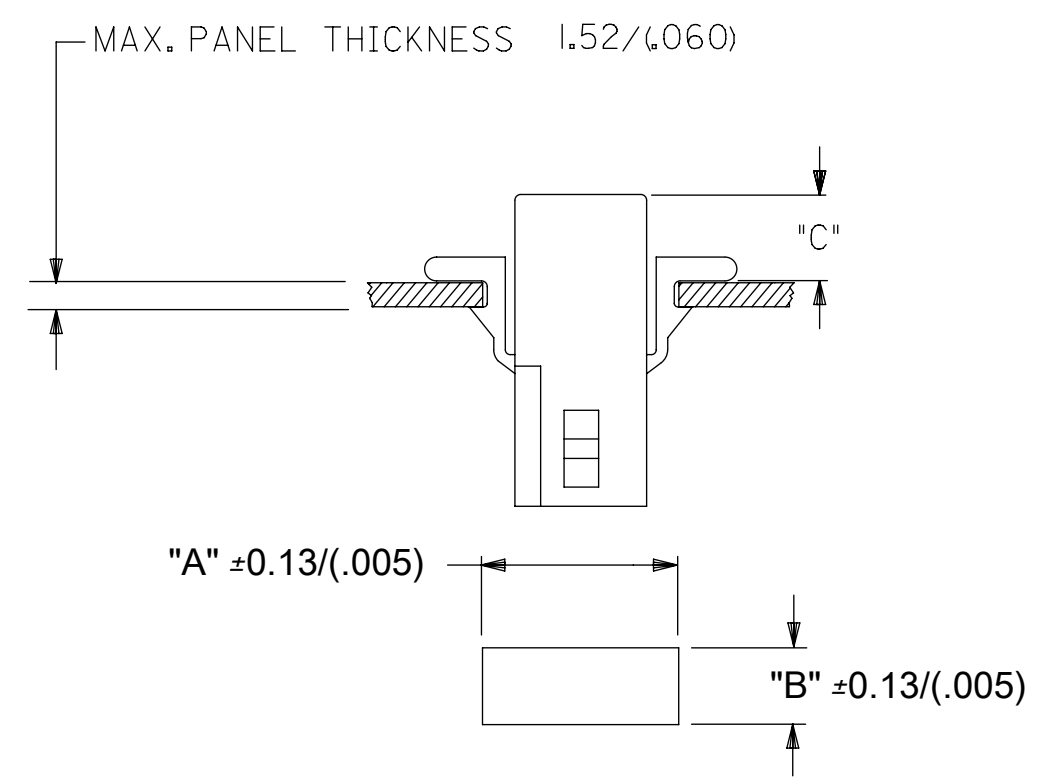
QUALITY SYMBOLS		THIS DRAWING CONTAINS INFORMATION THAT IS PROPRIETARY TO MOLEX ELECTRONIC TECHNOLOGIES, LLC AND SHOULD NOT BE USED WITHOUT WRITTEN PERMISSION												
▽ = 0	▽ = 0	REDRAWING IN NX EC NO: 120335 DRWN: MKIPPER CHKD: MKIPPER REV / APPR: FSMITH	GENERAL TOLERANCES (UNLESS SPECIFIED)				DIMENSION UNITS		SCALE					
▽ = 0	▽ = 0		MM		INCH		MM/IN		4:1					
▽ = 0	▽ = 0		4 PLACES ±		±		DRWN BY		DATE		.062 2CKT PLUG AND RECEPTACLE HOUSING PRODUCT CUSTOMER DRAWING			
▽ = 0	▽ = 0		3 PLACES ±		± 0.007		ZHARPER		2017/06/20					
▽ = 0	▽ = 0		2 PLACES ±		± 0.18 ± 0.01		CHK'D BY		DATE					
▽ = 0	▽ = 0		1 PLACES ±		± 0.25 ±		MKIPPER		2017/06/20					
▽ = 0	▽ = 0	0 PLACES ±		±		APPR BY		DATE		SERIES: 1625 MATERIAL NUMBER: SEE CHART CUSTOMER:				
▽ = 0	▽ = 0	ANGULAR TOL = 1.0				DRAWING SIZE		THIRD ANGLE PROJECTION		DOCUMENT NUMBER: 16250200-SD DOC TYPE: PSD DOC PART: 000 SHEET NUMBER: 2 OF 3				
▽ = 0	▽ = 0	DRAFT WHERE APPLICABLE MUST REMAIN WITHIN DIMENSIONS				C								

PLUG	
PART NO.	ENG. NO.
03-06-7023	1625-2P1BK
03-06-2023	1625-2P1
03-06-2024	1625-2P2

PLUG LEGEND:
 1625-2P **
 CIRCUI T SIZE
 P = PLUG
 1 = WITHOUT MOUNTING EARS
 2 = WITH PREBENT MOUNTING EARS
 BLANK = NATURAL
 BK = BLACK

RECEPTACLE	
PART NO.	ENG. NO.
03-06-6023	1625-2R1BK
03-06-1023	1625-2R1
03-06-1022	1625-2R2

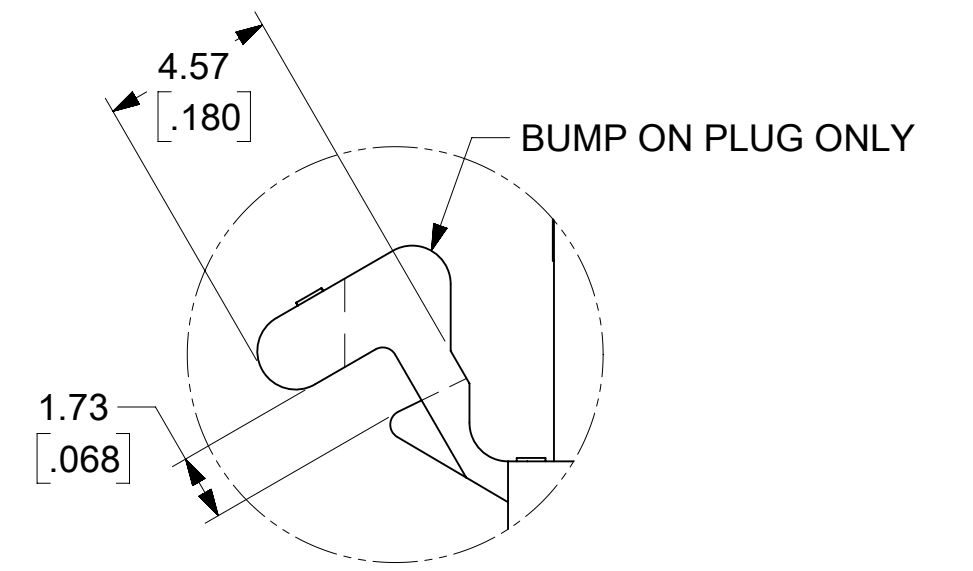
RECEPTACLE LEGEND:
 1625-2R **
 CIRCUI T SIZE
 R = RECEPTACLE
 1 = WITHOUT MOUNTING EARS; WITH DETENTS
 2 = WITH PREBENT MOUNTING EARS; WITH DETENTS
 BLANK = NATURAL
 BK = BLACK



"A" ±0.13/(.005)
 "B" ±0.13/(.005)

RECOMMENDED HOLE PATTERN
(NOT TO SCALE)

HOUSING	DIM. "A"	DIM. "B"	PREBENT EAR DIM. "C"	STD. EAR DIM. "C"
PLUG	15.47 [.609]	8.08 [.318]	6.0 [.24]	6.1 [.24]
RECEPTACLE	12.83 [.505]	6.73 [.265]	6.4 [.25]	6.4 [.25]

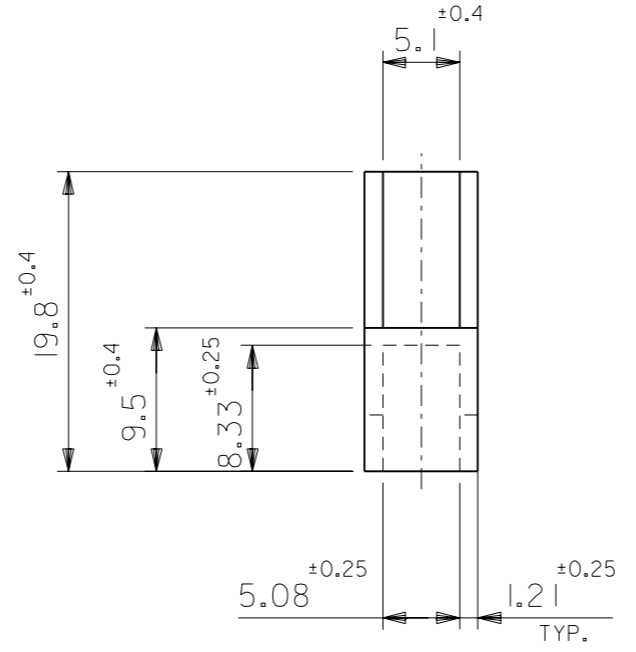
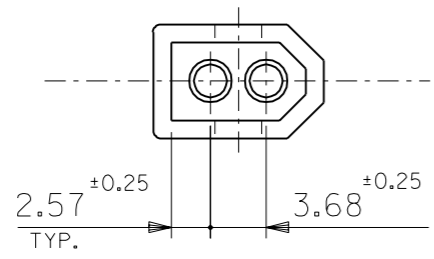
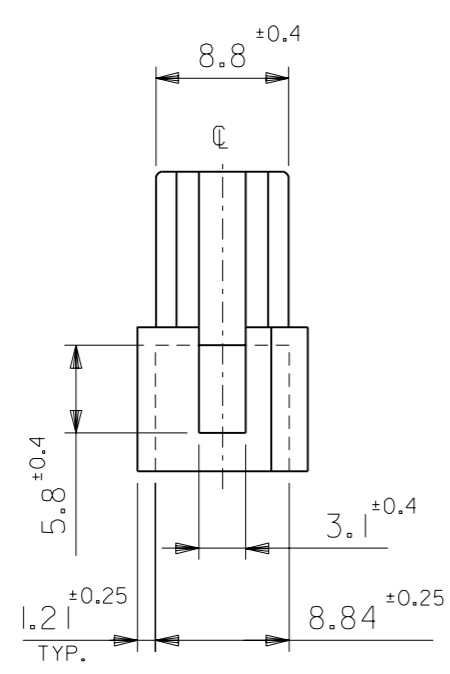
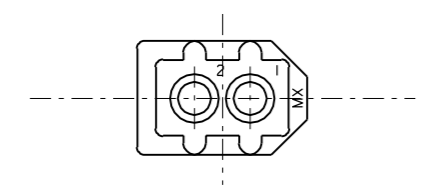


DETAIL B
SCALE 5:1

- NOTES:**
1. MATERIAL - NYLON TYPE 6/6, 94V-2
 2. FINISH: NONE
 3. PRODUCT SPECIFICATION: PS-02-06
 4. PACKAGING SPECIFICATION: PK-1625-003.
 5. HOUSING FOR USE WITH MOLEX .062/(1.57) DIA. SERIES TERMINALS.
 6. CIRCUIT I.D. NUMBERS ON SIDE OF HOUSING APPEAR ON PARTS FROM TOOLS BUILT AFTER 07/01/1991.
 7. THIS PART CONFORMS TO CLASS B REQUIRMENTS OF COSMETIC SPECIFICATION PS-45499-002.
 8. THIS DRAWING REPLACES SD-1625-2*.

THIS DRAWING CONTAINS INFORMATION THAT IS PROPRIETARY TO MOLEX ELECTRONIC TECHNOLOGIES, LLC AND SHOULD NOT BE USED WITHOUT WRITTEN PERMISSION											
QUALITY SYMBOLS ▽ = 0 ▽ = 0 ▽ = 0 ▽ = 0 ▽ = 0 ▽ = 0 ▽ = 0 ▽ = 0 ▽ = 0 ▽ = 0	REDRAWING IN NX EC NO: 120335 DRWN: MKIPPER CHKD: MKIPPER REV / APPR: FSMITH	GENERAL TOLERANCES (UNLESS SPECIFIED) MM/IN		DIMENSION UNITS SCALE 4:1							
		4 PLACES ± ± 3 PLACES ± ± 0.007 2 PLACES ± 0.18 ± 0.01 1 PLACES ± 0.25 ± ± 0 PLACES ± ±		DRWN BY DATE ZHARPER 2017/06/20 CHK'D BY DATE MKIPPER 2017/06/20 APPR BY DATE FSMITH 2017/06/30						.062 2CKT PLUG AND RECEPTACLE HOUSING	
		ANGULAR TOL = 1.0 DRAFT WHERE APPLICABLE MUST REMAIN WITHIN DIMENSIONS		DRAWING SIZE C		THIRD ANGLE PROJECTION		PRODUCT CUSTOMER DRAWING			
						SERIES MATERIAL NUMBER CUSTOMER 1625 SEE CHART		DOCUMENT NUMBER DOC TYPE DOC PART SHEET NUMBER 16250200-SD PSD 000 3 OF 3			

DWG. NO.
SD-1625-2P1



注記
NOTE

材質: ナイロン66, 94V-2
MATERIAL: NYLON66, 94V-2

DIMENSIONS IN METRIC DO NOT SCALE DRAWING

角度	ANGLE	±3°					
30以上	OVER	±0.3					
10以上	30未満	±0.25	E	REVISED	(JC90389)	S.K. M.F.	'98/12/23
10未満	UNDER	±0.2	D	再作図	(JC70302)	H.I. M.F.	'96/07/08
一般公差			記号	変更内容	DR.	日付	
GENERAL TOLERANCES			LTR	REVISION RECORD	CHK.	DATE	

材料	MATERIAL	☑中参照
		REFER TO DRAWING
仕上げ	FINISH	—
適用電線範囲	WIRE RANGE	—
被覆外径	INS. RANGE	—
DRAWN BY	'98/12/23	CHK'D BY
H.IIJIMA		S.KUNISHI
APP'D BY	'98/12/23	尺度
M.FUKUSHIMA		SCALE 2 : 1

1625-2P1	03-06-2023
ENG NO.	PART NO.
MOLEX-JAPAN CO.,LTD. 日本モレックス株式会社	
REVISE ONLY ON CAD SYSTEM	
TITLE 名称	
.062 DIA. 2 CIRCUIT PLUG HOUSING	
DWG. NO.	REV
SD-1625-2P1	E