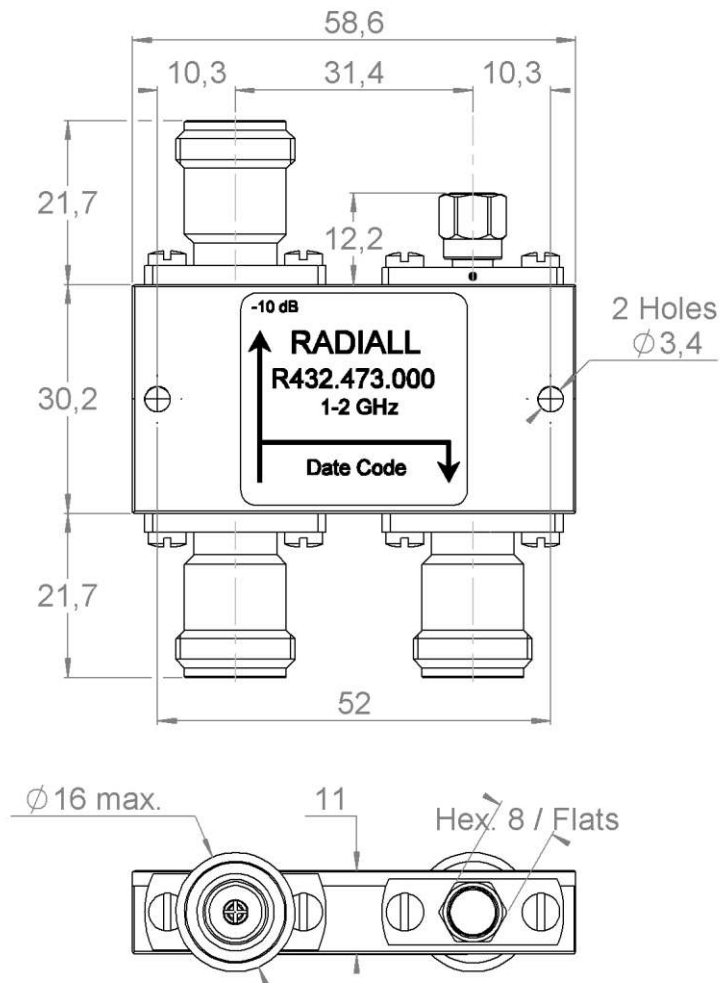


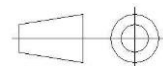
| | | | |
|----------|-----------------|--------------------------|-------------------------------|
| PAGE 1/2 | ISSUE 04-12-19H | SERIES COUPLER | PART NUMBER R432473000 |
|----------|-----------------|--------------------------|-------------------------------|

Scale 1 : 1



All dimensions are in mm. Tolerances according ISO 2768 m-H

Weight Specification **113,6600** g



| | | | |
|----------|-----------------|--------------------------|-------------------------------|
| PAGE 2/2 | ISSUE 04-12-19H | SERIES COUPLER | PART NUMBER R432473000 |
|----------|-----------------|--------------------------|-------------------------------|

ELECTRICAL CHARACTERISTICS

| | |
|-----------------------------|------------|
| Frequency operating range : | 1 – 2 GHz |
| Impedance : | 50 Ω |
| VSWR : - Main Line | 1.15 max. |
| - Coupled Line | 1.15 max. |
| Nominal Coupling : | 10 dB |
| Coupling Precision : | ± 0.3 dB |
| Insertion Loss : | 1 dB max. |
| Directivity : | 23 dB mini |
| Frequency Sensitivity : | ± 0.8 dB |
| Average Power at 25°C | 200W |
| Peak Power at 25°C | 5000W |

MECHANICAL CHARACTERISTICS

| | |
|-----------------------|--------------------------|
| Connector type : | N female per MIL-C 39012 |
| Coaxial Termination : | SMA 50 Ω, 1W |

ENVIRONMENTAL CHARACTERISTICS

| | |
|-------------------------|---------------|
| Operating temperature : | -25°C / +70°C |
| Storage temperature : | -25°C / +70°C |