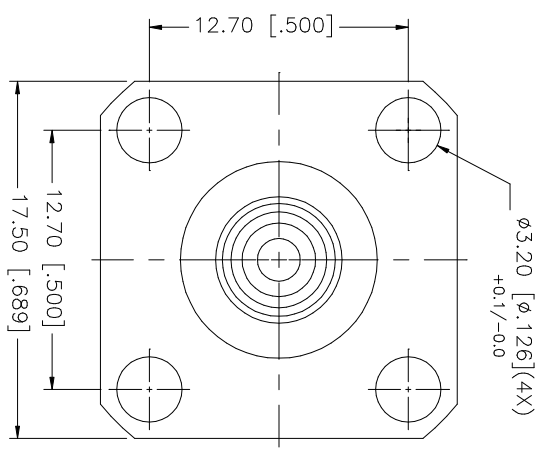
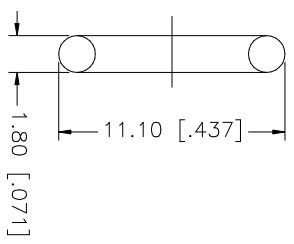
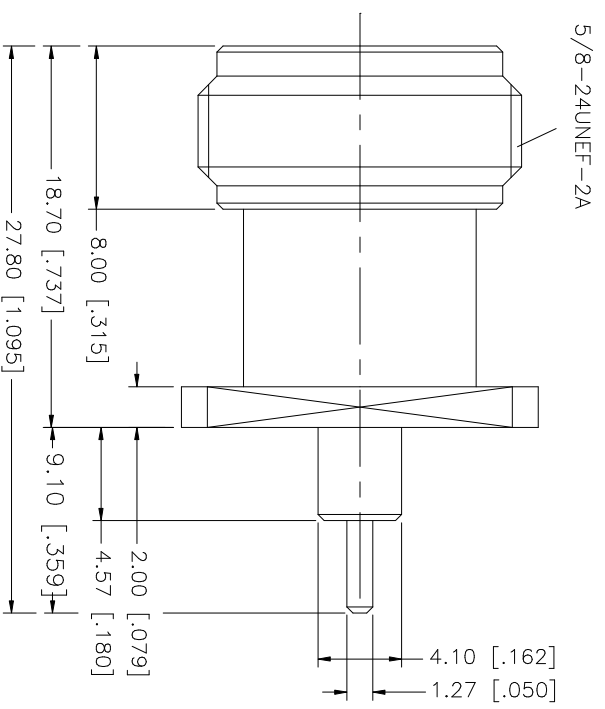


REV.	DATE	DESCRIPTION
A	03/06/03	UPDATE DRAWING FORMAT



8																								
7																								
6																								
5	GASKET	SILICONE	RED	1																				
4	RING	BRASS	NEXCOTE	1																				
3	CONTACT PIN	PHOS. BRONZE	GOLD	1																				
2	INSULATOR	TEFLON	NATURAL	1																				
1	BODY	BRASS	NEXCOTE	1																				
	DESCRIPTION	MATERIAL	FINISH	QTY																				
<p>UNLESS OTHERWISE SPECIFIED DIMENSIONS ARE IN MILLIMETERS; DIMENSIONS IN [] ARE IN INCHES AND FOR CUSTOMER REFERENCE ONLY. TOLERANCES FOR MILLIMETERS ARE:</p> <p>0.5 - 8mm ± 0.20mm 8 - 30mm ± 0.40mm 30 - 120mm ± 0.50mm</p> <p>UNLESS OTHERWISE SPECIFIED DIMENSIONS FOR INCHES ARE:</p> <p>.020 - .315 = ± 0.007" .315 - 1.180 = ± 0.015" 1.180 - 4.1724 = ± 0.020"</p>											<p>APPROVALS</p> <p>DRAWN G.R.S. DATE 03/06/03</p>		<p>CAD FILE</p> <p>C:/172/172254.DWG</p>		<p>PART DESCRIPTION</p> <p>N PANEL RECEPTACLE JACK (EXTENDED TEFLON .180"-.359")</p>		<p>DWG. NO. 172254.DWG</p>		<p>REV. A</p>		<p>SIZE A</p>		<p>SCALE NA</p>	
<p>Amphenol Connex</p>																								