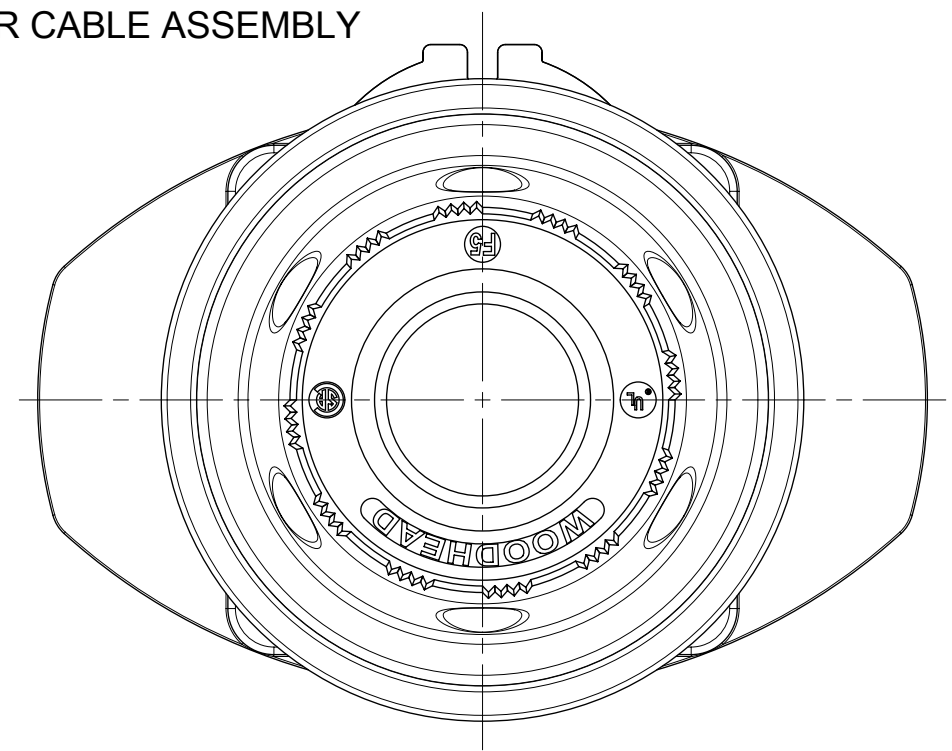
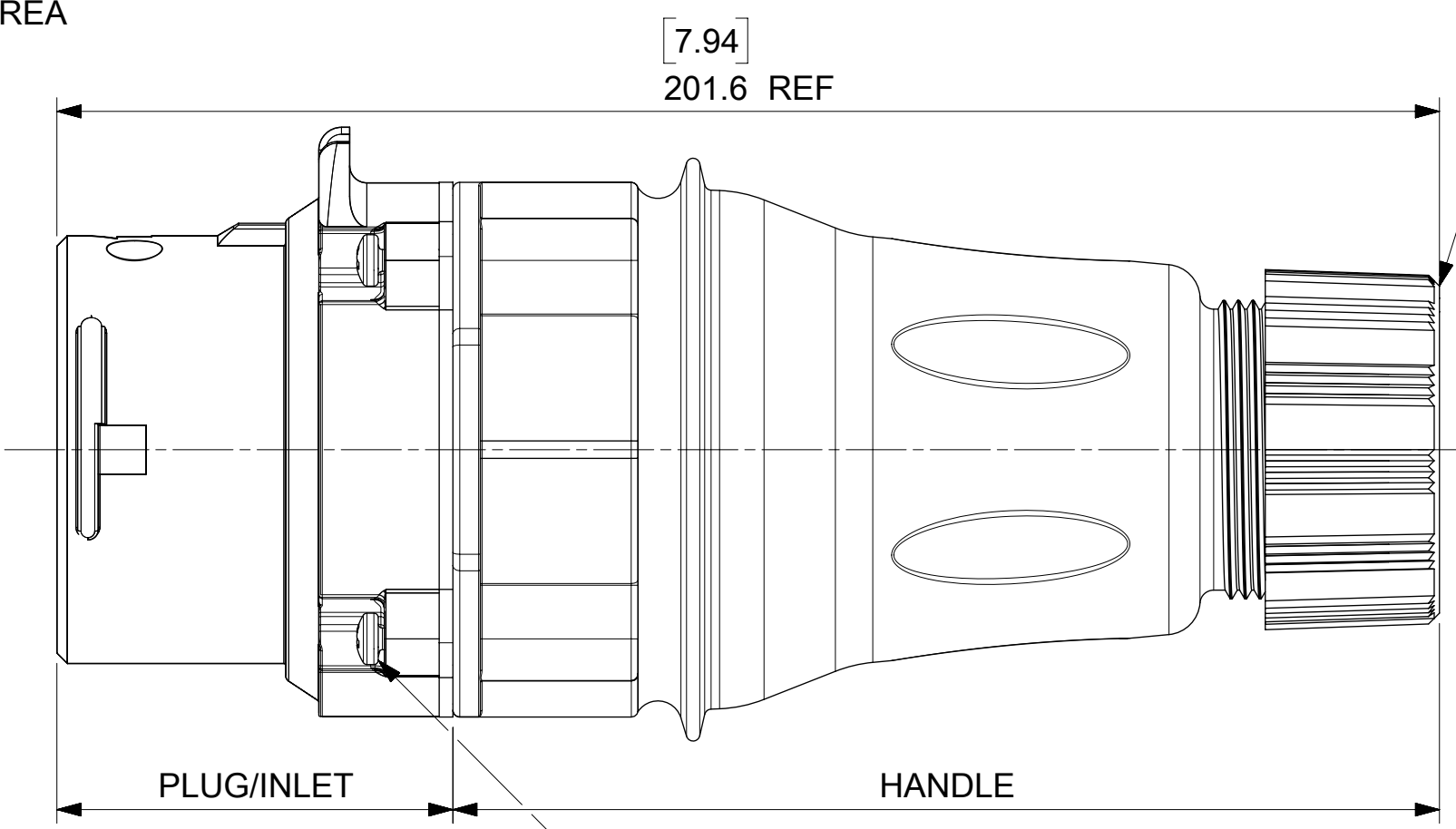
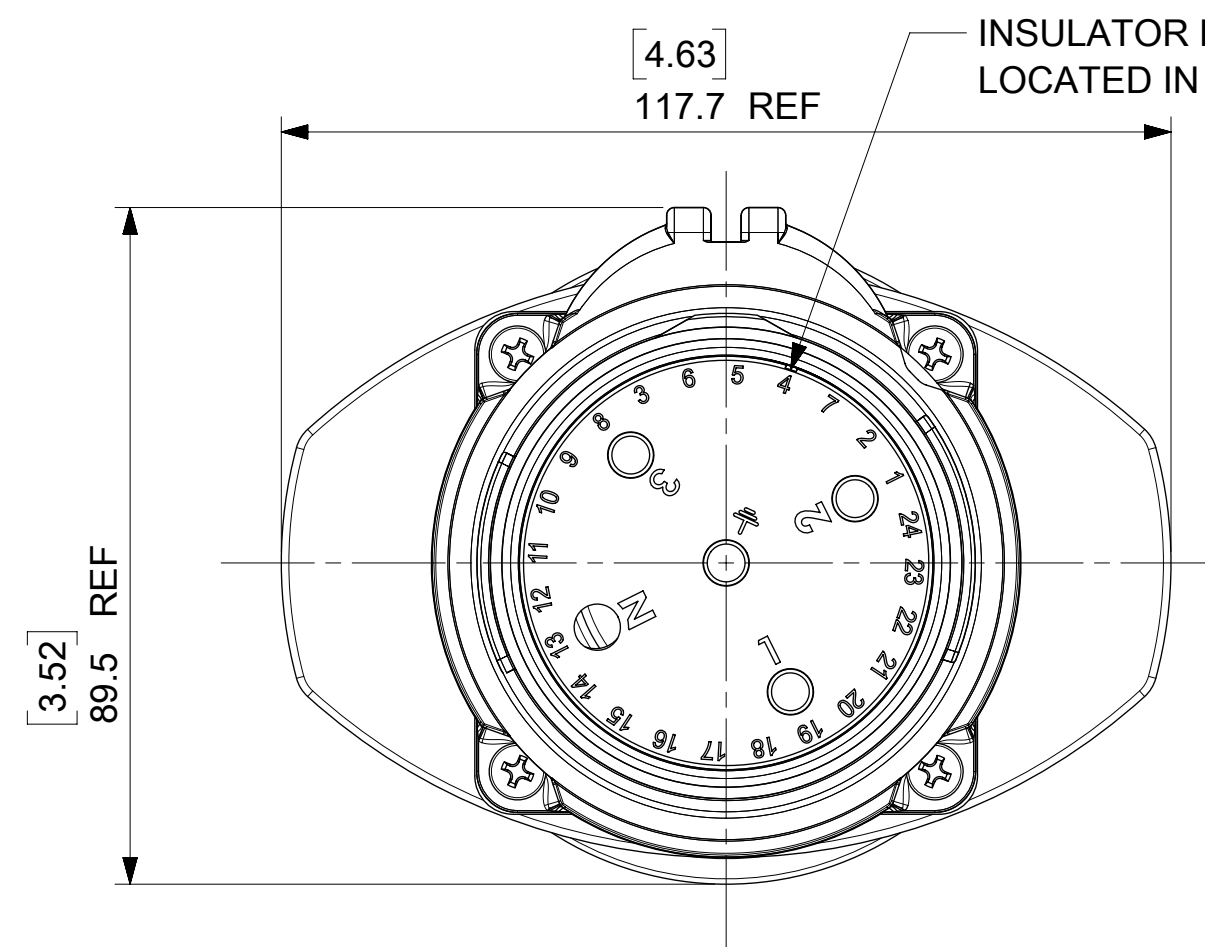
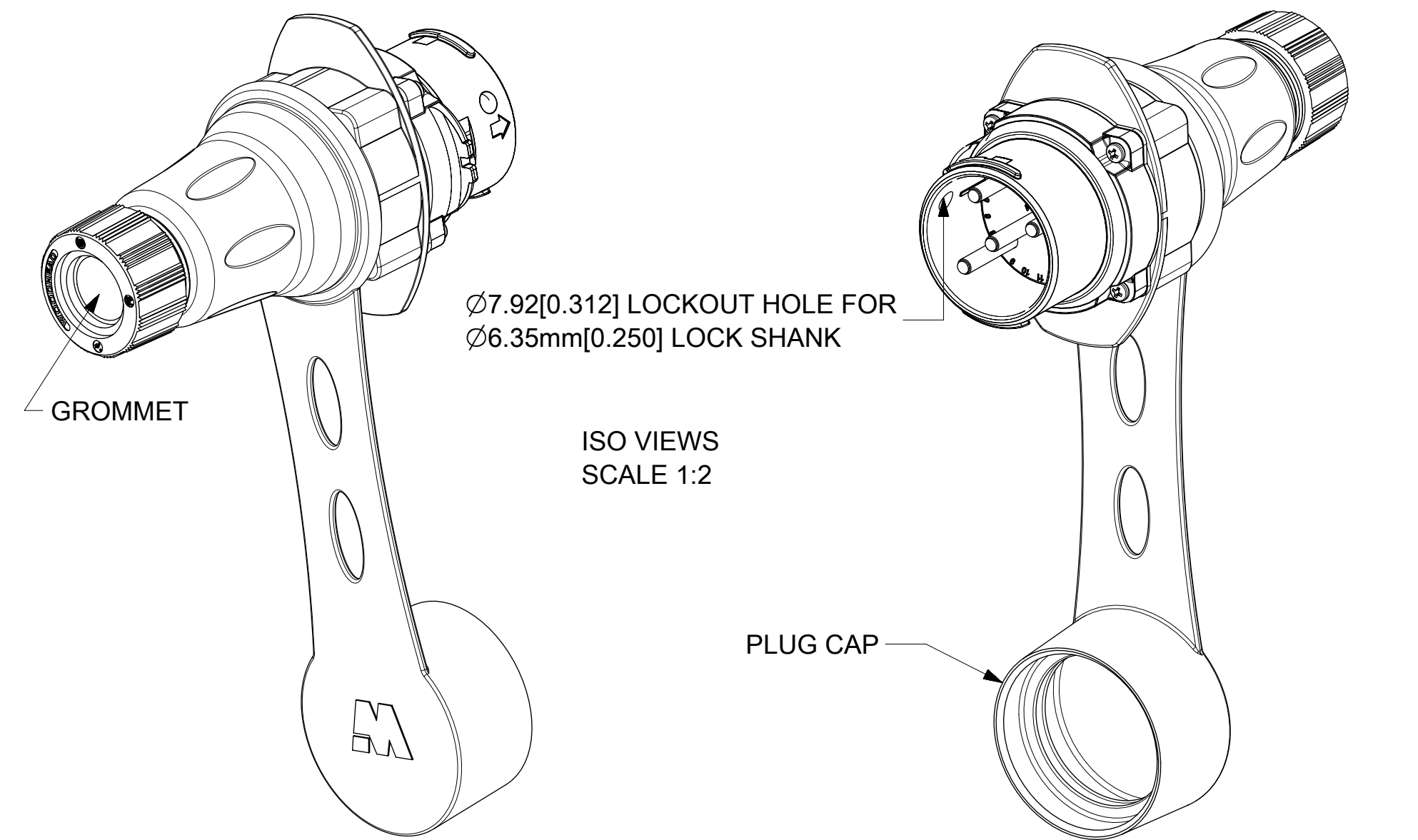


| MATERIAL NUMBER | ENGINEERING NUMBER | DESCRIPTION                   | INSULATOR KEYING POSITION | HORSEPOWER RATING |
|-----------------|--------------------|-------------------------------|---------------------------|-------------------|
| 1122171015      | ARC60MHDA01        | ARC 60A MHD 125VAC 1P+N+G     | 7                         | 2 HP              |
| 1122171016      | ARC60MHDB02        | ARC 60A MHD 250VAC 2P+G       |                           | 3 HP              |
| 1122171017      | ARC60MHDB03        | ARC 60A MHD 250VAC 3P+G       |                           | 7.5 HP            |
| 1122171018      | ARC60MHDAB04       | ARC 60A MHD 125/250VAC 2P+N+G | 16                        | NA                |
| 1122171019      | ARC60MHDC02        | ARC 60A MHD 208VAC 2P+G       |                           | NA                |
| 1122171020      | ARC60MHDC03        | ARC 60A MHD 208VAC 3P+G       |                           | 7.5 HP            |
| 1122171021      | ARC60MHDC05        | ARC 60A MHD 120/208VAC 3P+N+G | 4                         | NA                |
| 1122171022      | ARC60MHDD01        | ARC 60A MHD 277VAC 1P+N+G     |                           | NA                |
| 1122171023      | ARC60MHDE02        | ARC 60A MHD 480VAC 2P+G       |                           | NA                |
| 1122171024      | ARC60MHDE03        | ARC 60A MHD 480VAC 3P+G       | 14                        | 20 HP             |
| 1122171025      | ARC60MHDDE05       | ARC 60A MHD 277/480VAC 3P+N+G |                           | NA                |
| 1122171026      | ARC60MHDF02        | ARC 60A MHD 600VAC 2P+G       |                           | NA                |
| 1122171027      | ARC60MHDF03        | ARC 60A MHD 600VAC 3P+G       | 14                        | 20 HP             |
| 1122171028      | ARC60MHDGF05       | ARC 60A MHD 347/600VAC 3P+N+G |                           | NA                |



**NOTES:**  
**MATERIALS:**  
HANDLE, HOUSINGS AND INSULATORS: GLASS FILLED PBT  
CONTACTS: COPPER ALLOY WITH A SILVER NICKEL TIP, SILVER PLATED  
MOUNTING GASKETS: SILICONE  
GROMMET - RUBBER  
FRICTION RING - NATURAL POLYETHYLENE  
COMPRESSION NUT - BLACK PBT  
SELF TAPPING SCREWS - STAINLESS STEEL  
PLUG CAP - RUBBER

**RATINGS:**  
CURRENT: 60 AMPS  
VOLTAGE AND HORSEPOWER: SEE TABLE  
AMBIENT OPERATING TEMPERATURE: -25°C (-13°F) TO 60°C (140°F)  
(WITH MAX. 30°C RISE ABOVE AMBIENT)  
ENVIRONMENTAL: NEMA TYPE 4X & IP69K  
WIRING CAPACITY: 10 AWG MIN. TO 4 AWG MAX.  
TORQUE TERMINAL SCREWS TO 1.7 Nm (15 in-lbs)  
AGENCY: UL LISTING PENDING  
SWITCH RATED RECEPTACLE/CONNECTOR  
BRANCH CIRCUIT DISCONNECT SWITCH  
MOTOR CIRCUIT DISCONNECT SWITCH IF HP RATED

PLUG/INLET AND HANDLE ARE PACKAGED SEPARATELY.  
END USER ASSEMBLY REQUIRED PER INSTRUCTIONS INCLUDED.

TORQUE MOUNTING SCREWS (4x)  
1.9 TO 2.1 Nm (17 TO 19 IN-LBS)

| GROMMET P/N | GROMMET COLOR | CABLE DIAMETER RANGE           |
|-------------|---------------|--------------------------------|
| 1301800308  | ORANGE        | 19.05mm-22.25mm(.750"-.875")   |
| 1301800309  | YELLOW        | 22.23mm-25.40mm(.875"-1.000")  |
| 1301800310  | BLACK         | 25.40mm-28.57mm(1.000"-1.125") |

THIS DRAWING CONTAINS INFORMATION THAT IS PROPRIETARY TO MOLEX ELECTRONIC TECHNOLOGIES, LLC AND SHOULD NOT BE USED WITHOUT WRITTEN PERMISSION

|  |                                  |  |                                |
|--|----------------------------------|--|--------------------------------|
| DIMENSION UNITS                                      | SCALE                            | CURRENT REV DESC: GENERAL MARKET RELEASE |                                |
| MM/INCH  | 1:1                              |  |                                |
| GENERAL TOLERANCES (UNLESS SPECIFIED)                |                                  |  |                                |
|  | MM                               | INCH                                     |                                |
| 4 PLACES   | ±                                | ±  |                                |
| 3 PLACES   | ±                                | ± 0.01                                   |                                |
| 2 PLACES   | ± 0.25                           | ± 0.02                                   |                                |
| 1 PLACE  | ± 0.5                            | ± 0.04                                   |                                |
| 0 PLACES   | ± 1.0                            | ±  |                                |
| ANGULAR TOL  | ± 3.0 °                          |  |                                |
| DRAFT WHERE APPLICABLE MUST REMAIN WITHIN DIMENSIONS |                                  | THIRD ANGLE PROJECTION                   | DRAWING SERIES                 |
|  |                                  |  | C-SIZE 112217                  |
|  |                                  | EC NO: 674097                            | 2021/08/17                     |
|  |                                  | DRWN: MJANTELEZIO                        | 2021/08/17                     |
|  |                                  | CHK'D: WLEUNG                            | 2021/08/17                     |
|  |                                  | APPR: WLEUNG                             | 2021/08/17                     |
|  |                                  | INITIAL REVISION:                        |                                |
|  |                                  | DRWN: VBSATHKARP                         | 2018/08/20                     |
|  |                                  | APPR: JFMURPHY                           | 2020/11/17                     |
| DOCUMENT STATUS                                      |                                  | DOCUMENT NUMBER                          | DOC TYPE   DOC PART   REVISION |
| P1   | RELEASE DATE 2021/08/17 21:15:10 | 1122171024                               | PSD 000 A2                     |
| MATERIAL NUMBER                                      |                                  | CUSTOMER                                 | SHEET NUMBER                   |
| SEE TABLE  |                                  | GENERAL MARKET                           | 1 OF 1                         |