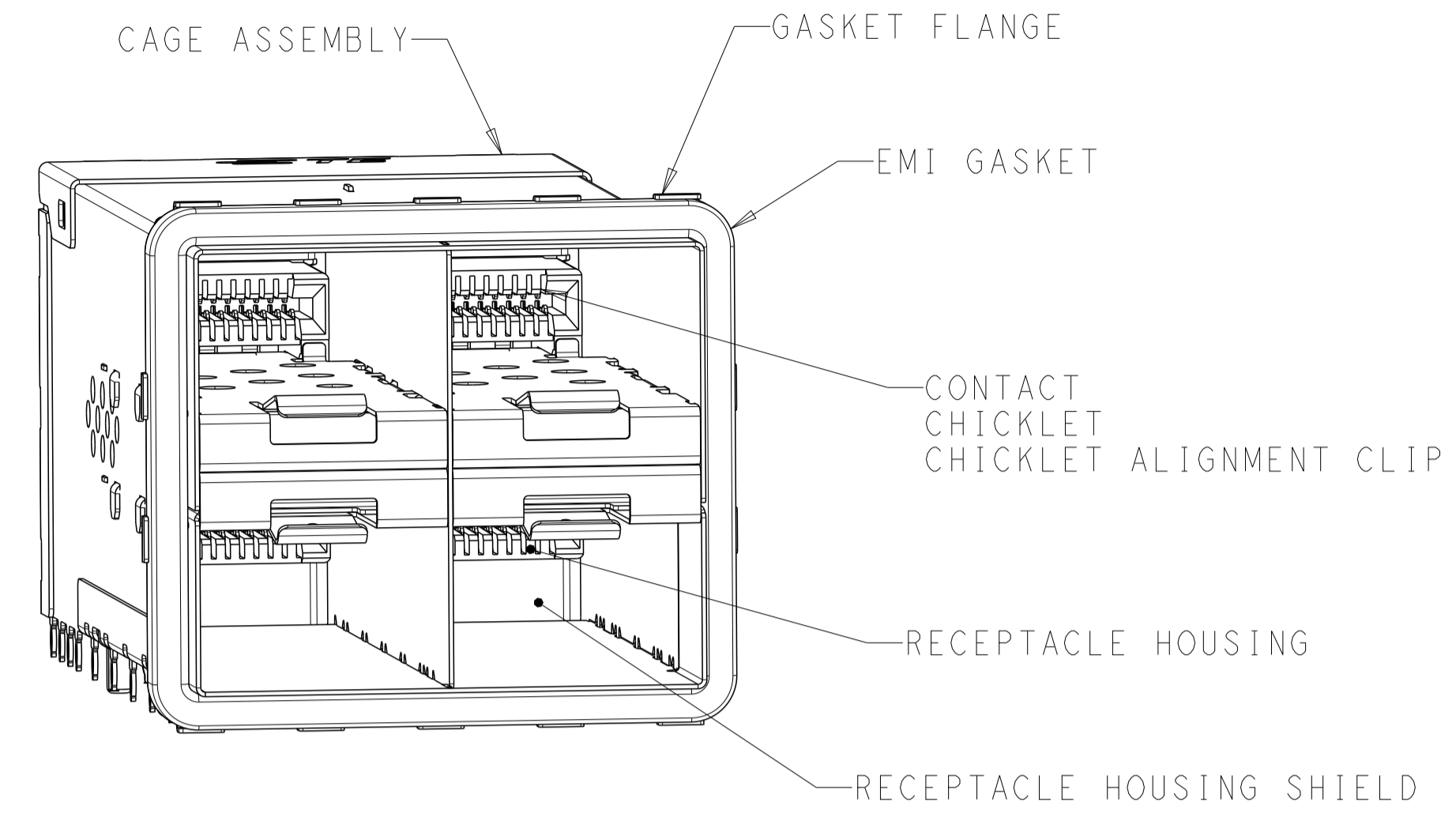
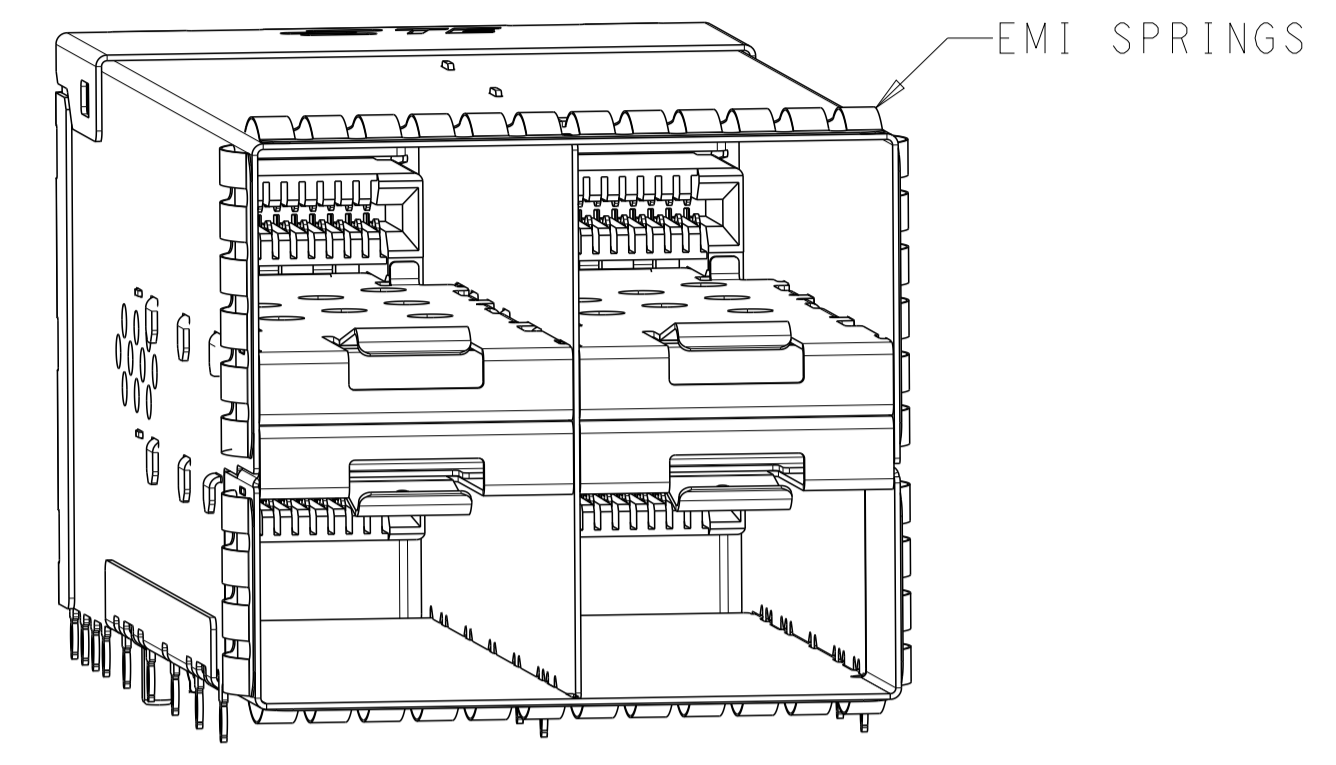


LOC	DIST	REVISIONS			
P	LTN	DESCRIPTION	DATE	OWN	APVD
B		REVISED PER ECO-15-010819	10AUG2015	PP	SH
C1		REVISED PER ECR-21-002578	02MAR2021	SZ	SZ
C2		REVISE PER ECN-22-144524	21MAR2022	SZ	SZ
C3		REVISED PER ECN-22-166164	25JUL2022	IT	SZ



2198325-1
SCALE 3:1



2198325-5
SCALE 3:1

- MATERIALS:
 CAGE ASSEMBLY - NICKEL-SILVER ALLOY PER ASTM B 122
 CONNECTOR HOUSING - LCP, BLACK, UL 94V-O RATED
 CONNECTOR HOUSING SHIELD - COPPER ALLOY
 CHICKLET - LCP, BLACK, UL 94V-O RATED
 CHICKLET ALIGNMENT CLIP - PBT
 CONTACT - COPPER ALLOY
 EMI GASKET - ELASTOMERIC
 GASKET FLANGE - STAINLESS STEEL
 EMI SPRINGS - PHOSPHOR BRONZE PER ASTM B 103,
 0.8µm MIN TIN PER ASTM B 545
 LIGHT PIPE - POLYCARBONATE
 LIGHT PIPE HOUSING - ZINC ALLOY

- CONTACT FINISH:
 CONFORMS TO THE REQUIREMENTS OF PRODUCT SPECIFICATION 108-2481, BASED ON EIA/ECA-364-1000.01A, CONTROLLED ENVIRONMENT APPLICATIONS) ON MATING INTERFACE, TIN ON NEEDLE EYE

- PCB MINIMUM THICKNESS = 1.5mm

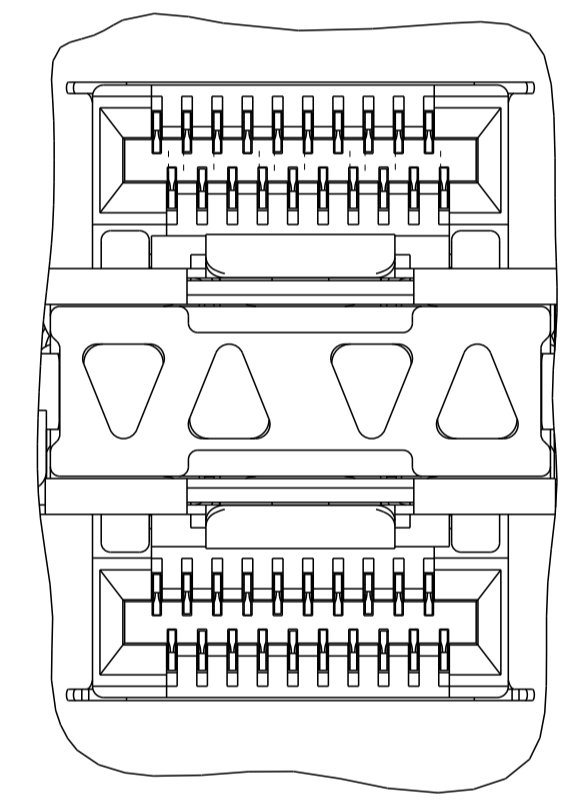
△ FOR HOLE SIZE AND PLATINGS, SEE APPLICATION SPECIFICATION 114-13319

△ LIGHT PIPE PAD LAYOUT IS FOR 0805 LOW PROFILE LED PACKAGE WITH A HEIGHT OF 0.8mm

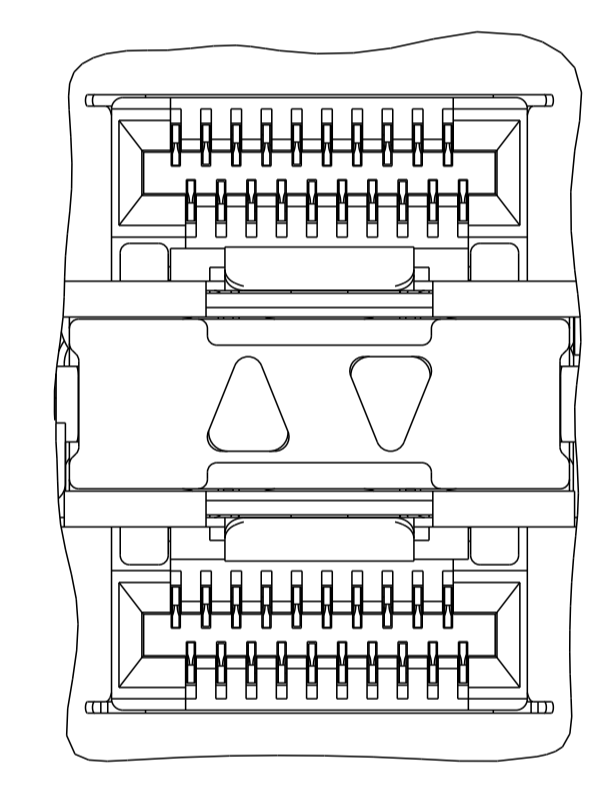
△ DIMENSIONS APPLY FOR EMI SPRINGS ONLY

△ THE ENTIRE AREA OF THE CONNECTOR FOOTPRINT, INDICATED BY THE DASHED LINE, TO BE CONSIDERED THE KEEPOUT AREA FOR COMPONENTS AND SIGNAL TRACES, TOP SIDE ONLY, TOP SIDE TRACES ALLOWED WITHIN CONNECTOR HOLE PATTERN

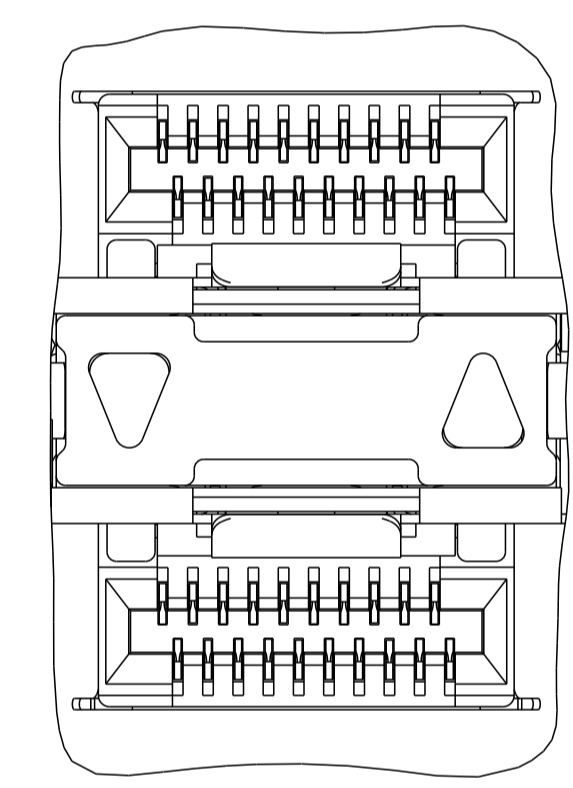
△ AIRFLOW ENHANCE VERSION



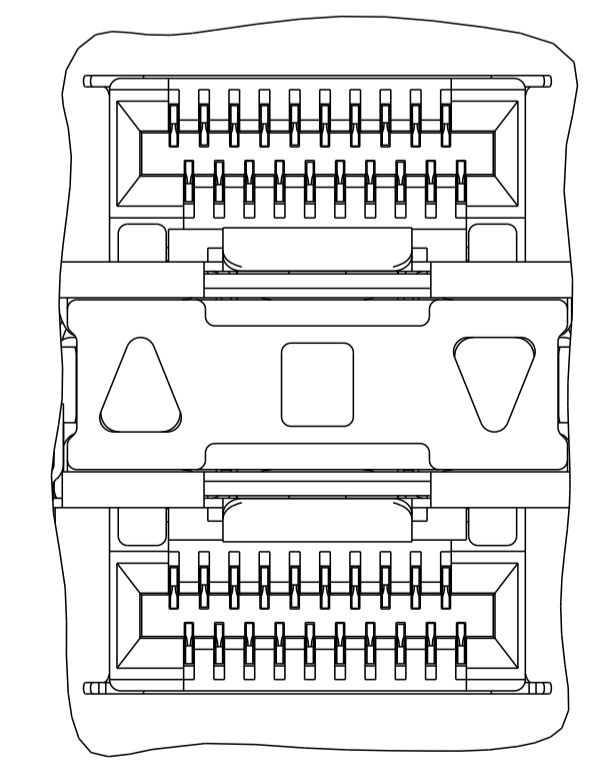
INNER/OUTER LIGHT PIPES
2198325-2, 2198325-6
SCALE 5:1



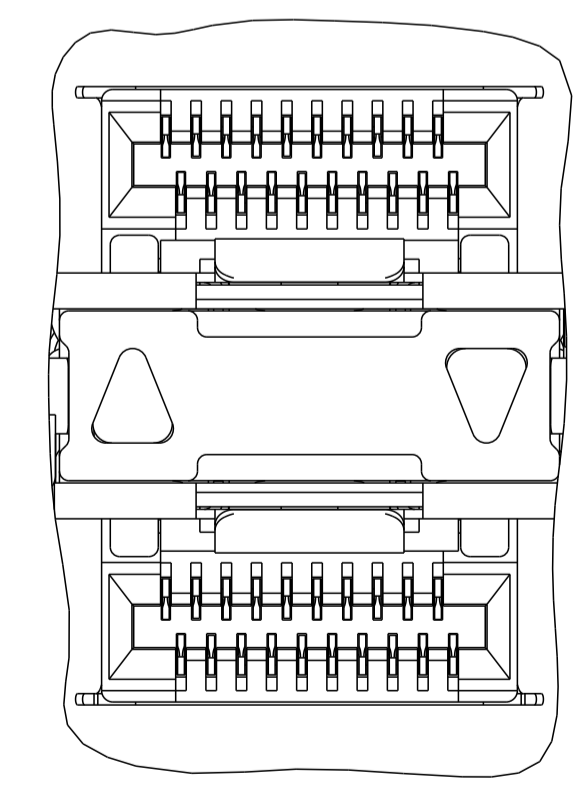
INNER LIGHT PIPES
2198325-3, 2198325-7
SCALE 5:1



OUTER LIGHT PIPES
2198325-4, 2198325-8
SCALE 5:1



CENTER/REVERSED OUTER LIGHT PIPES
1-2198325-7, 1-2198325-9
SCALE 5:1



REVERSED OUTER LIGHT PIPES
1-2198325-8, 2-2198325-0
SCALE 5:1

△	31	EMI SPRINGS	REVERSE OUTER	3-2198325-3
△	31	EMI SPRINGS	CENTER/REVERSE OUTER	3-2198325-2
	31	EMI SPRINGS	CENTER/REVERSE OUTER	3-2198325-1
	31	EMI SPRINGS	NONE	3-2198325-0
	31	EMI SPRINGS	REVERSED OUTER	2-2198325-0
			CENTER/REVERSED OUTER	1-2198325-9
	33.75	EMI GASKET	REVERSED OUTER	1-2198325-8
			CENTER/REVERSED OUTER	1-2198325-7
	31	EMI SPRINGS	OUTER	2198325-8
			INNER	2198325-7
			INNER/OUTER	2198325-6
	33.75	EMI GASKET	NONE	2198325-5
			OUTER	2198325-4
			INNER	2198325-3
			INNER/OUTER	2198325-2
			NONE	2198325-1
			(E)	CAGE TYPE

THIS DRAWING IS A CONTROLLED DOCUMENT. OWN M.E. CONHEP 06OCT2011
 CHK M.D. MORRISON 06OCT2011
 APVD M.D. MORRISON 07OCT2011

STE TE Connectivity

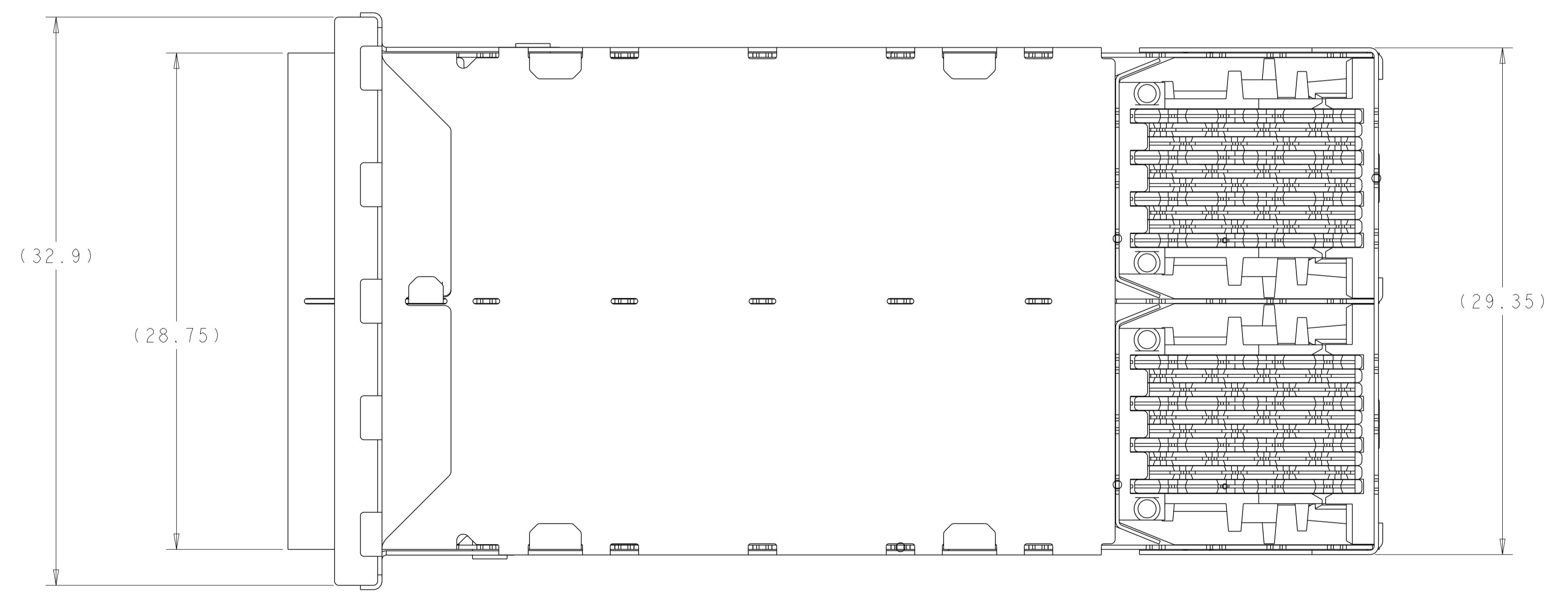
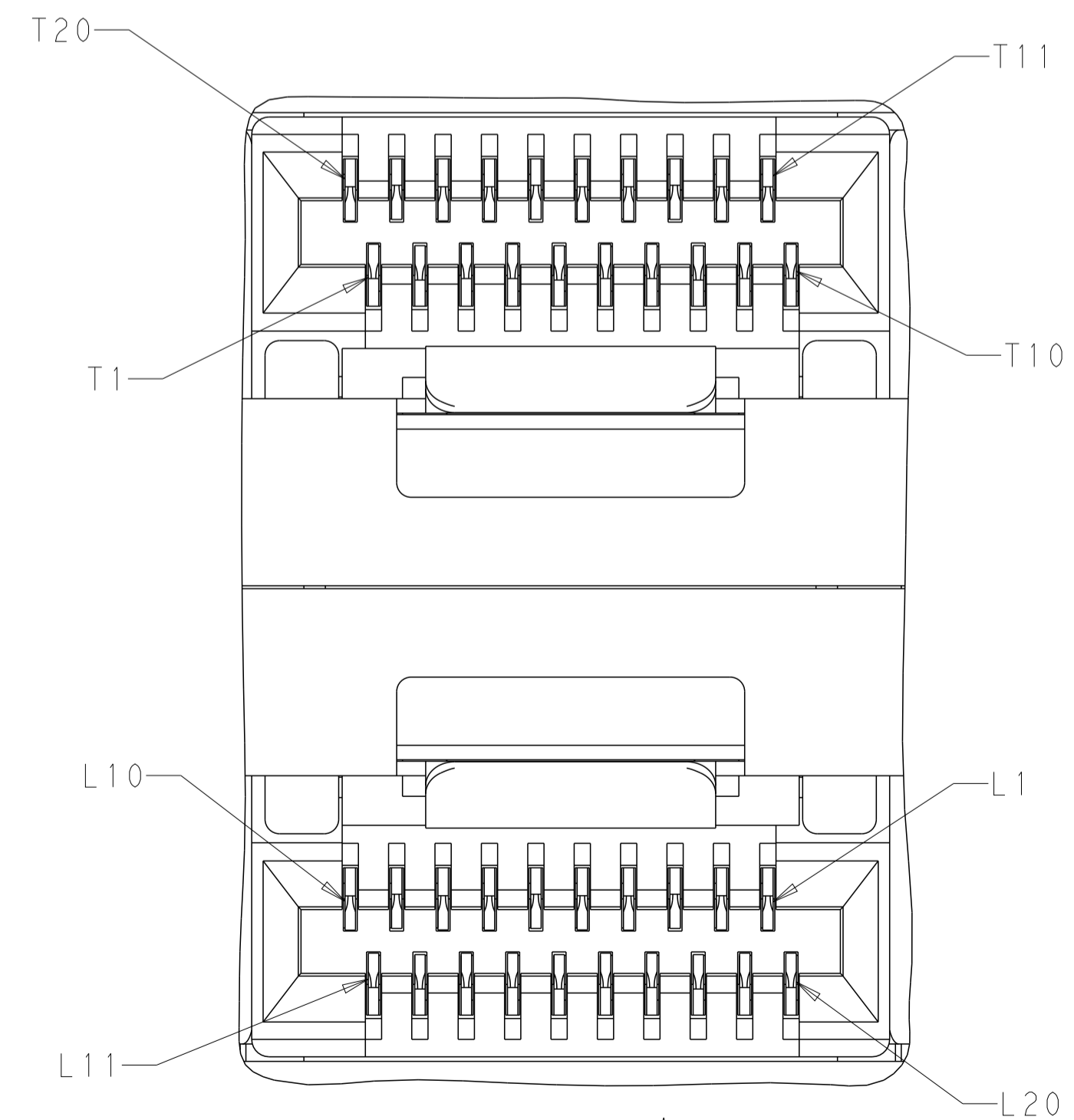
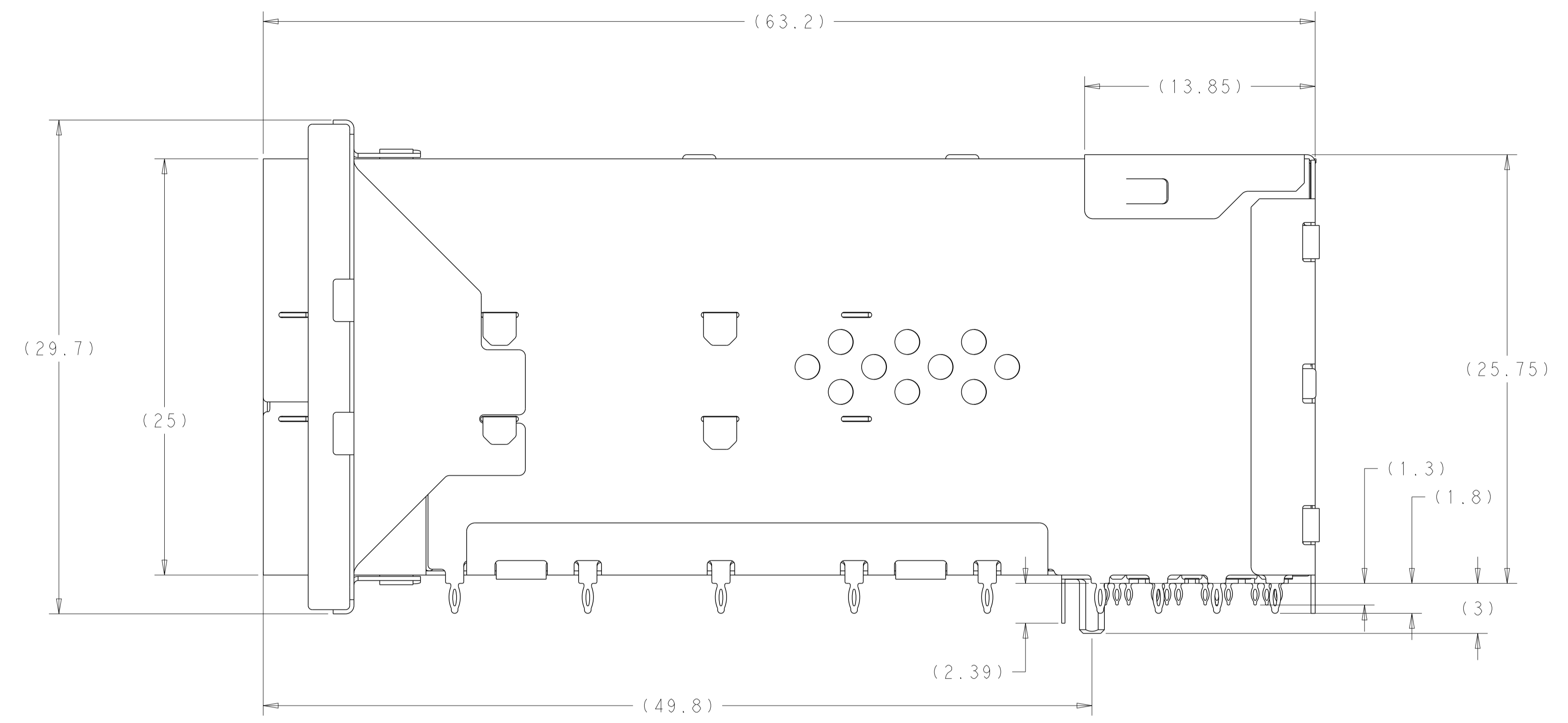
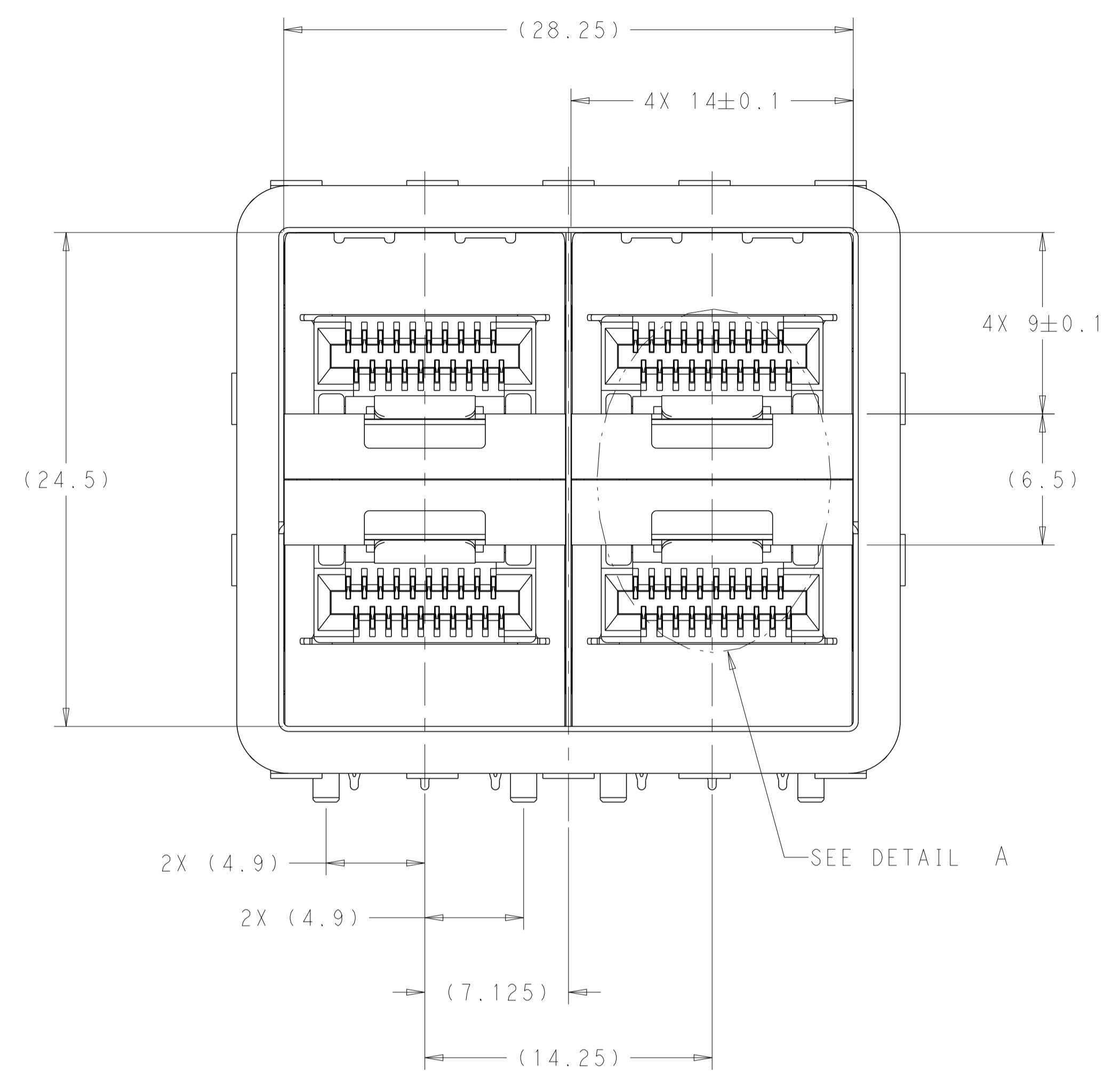
NAME RECEPTACLE ASSEMBLY, 2X2, STACKED, 2SFP+

PRODUCT SPEC 108-2481
 APPLICATION SPEC 114-13319

SIZE CAGE CODE DRAWING NO RESTRICTED TO
 A100779C=2198325

MATERIAL SEE NOTES FINISH SEE NOTES WEIGHT - SCALE 4:1 SHEET 1 OF 6 REV C3
 Customer Drawing

LOC	DIST	REVISIONS			
P	LTH	DESCRIPTION	DATE	DMN	APVD
-	-	SEE SHEET 1	-	-	-

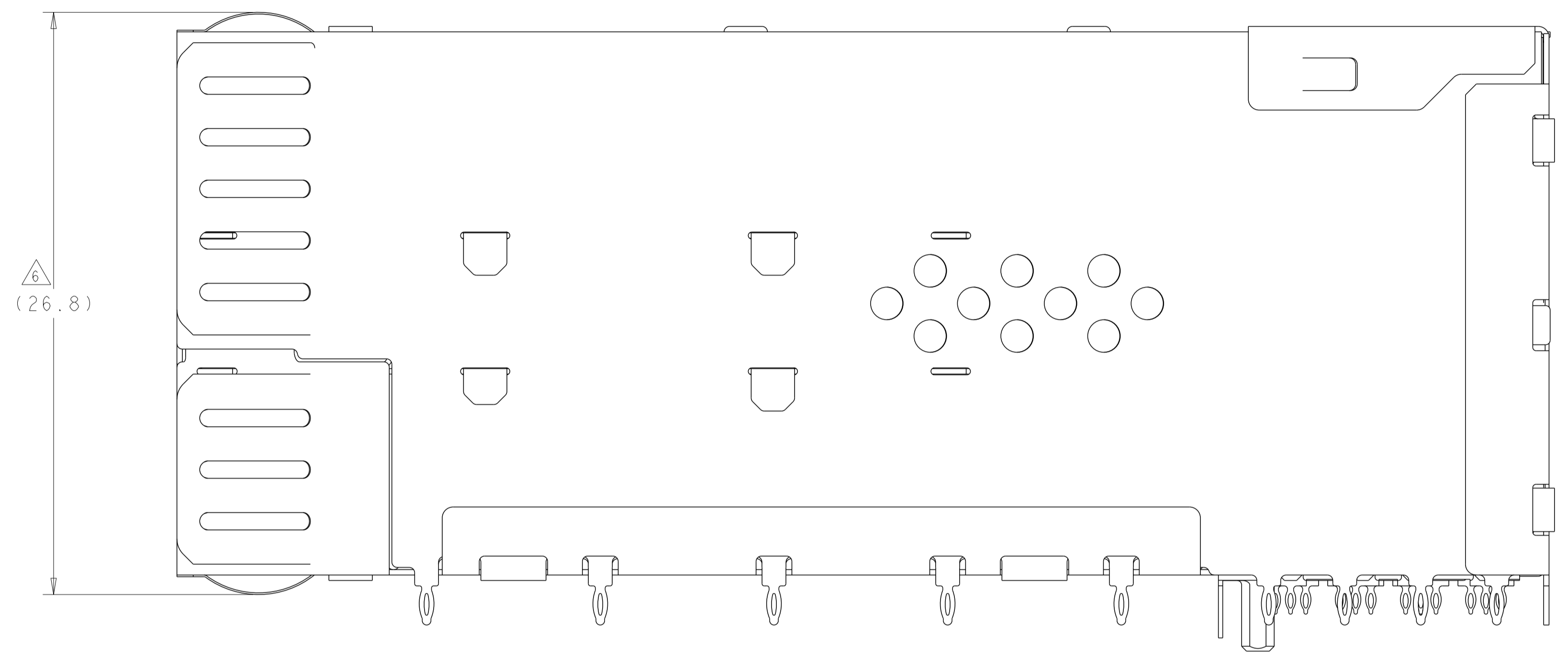
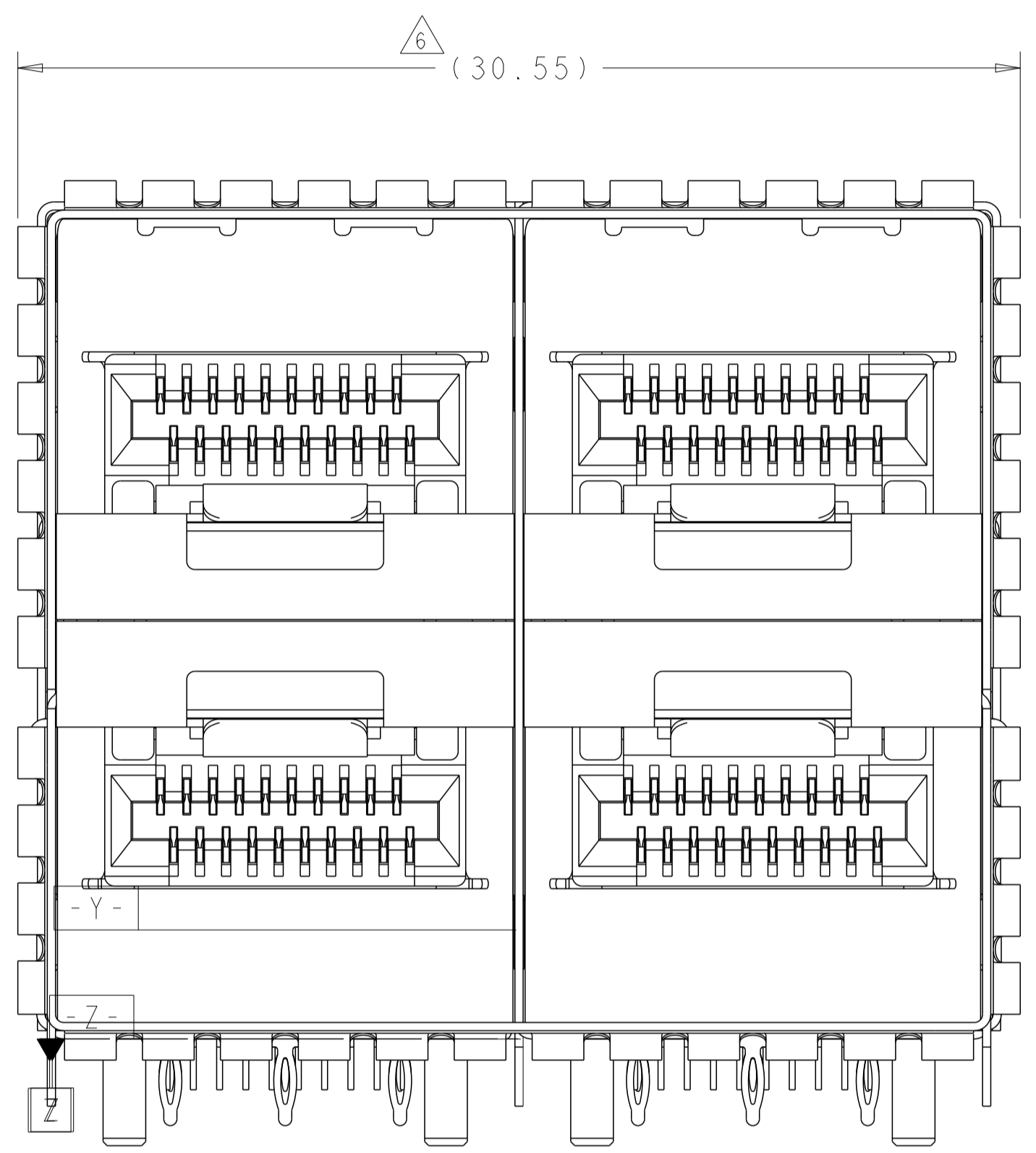


THIS DRAWING IS A CONTROLLED DOCUMENT.

DIMENSIONS:	TOLERANCES UNLESS OTHERWISE SPECIFIED:	OWN: M.E. CONNER 06OCT2011	CHK: M.D. MORRISON 06OCT2011	APVD: M.D. MORRISON 07OCT2011	NAME: RECEPTACLE ASSEMBLY, 2X2, STACKED, 2SFP+
mm	0 PLC ±0.25 1 PLC ±0.25 2 PLC ±0.25 3 PLC ±0.25 4 PLC ±0.25 ANGLES ±°	PRODUCT SPEC: 108-2481	APPLICATION SPEC: 114-13319	SIZE: A1	RESTRICTED TO: -
MATERIAL: SEE NOTES	FINISH: SEE NOTES	WEIGHT: -	Customer Drawing	SCALE: 5:1	SHEET 2 OF 6 REV C3

STE TE Connectivity

LOC	DIST	REVISIONS					
GP	00	P	LTN	DESCRIPTION	DATE	DWN	APVD
-	-	-	-	SEE SHEET 1	-	-	-

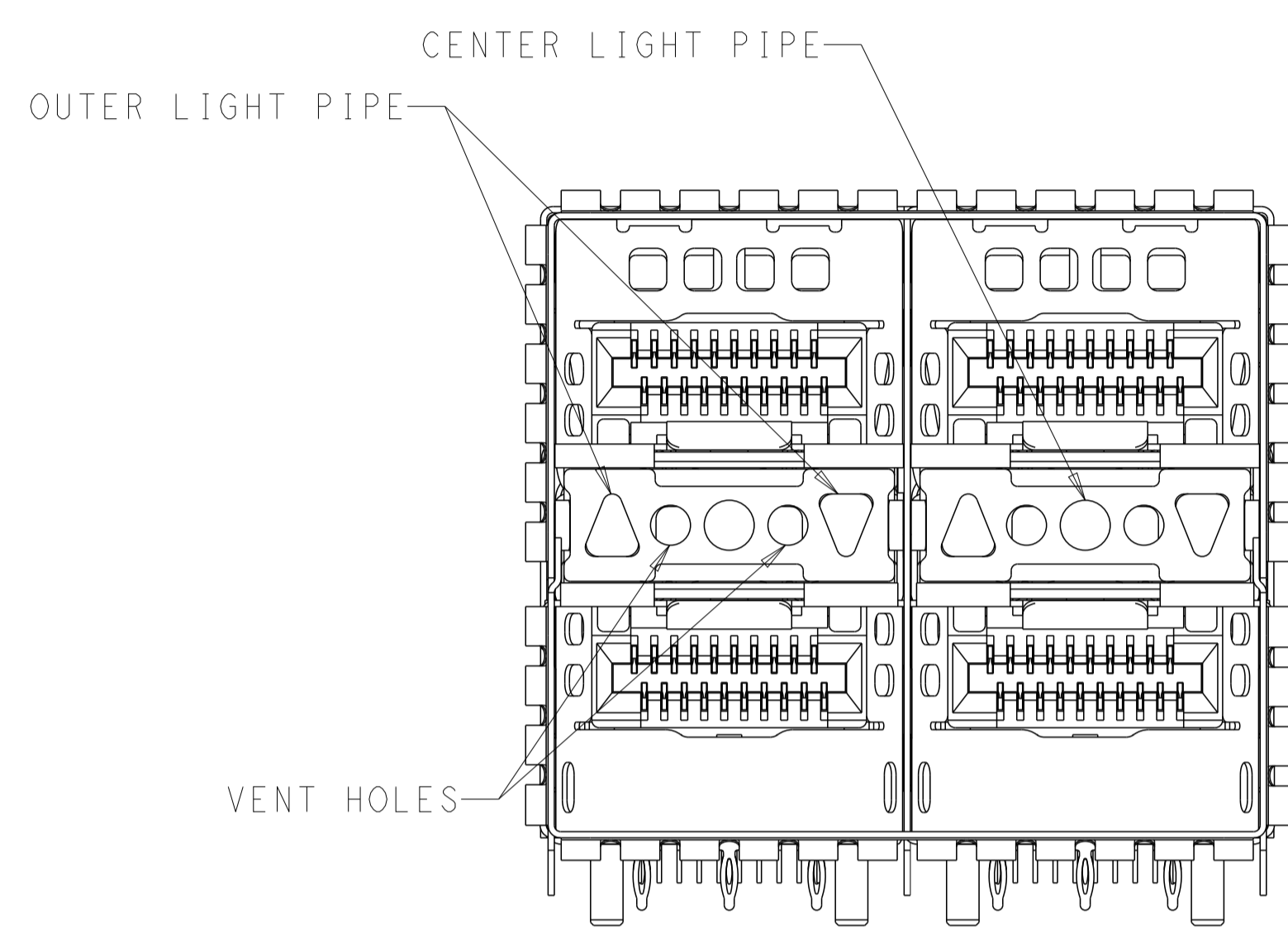


2198325-5 THRU 2198325-8, 1-2198325-9, 2-2198325-0
 EMI SPRINGS ONLY
 SCALE 6:1

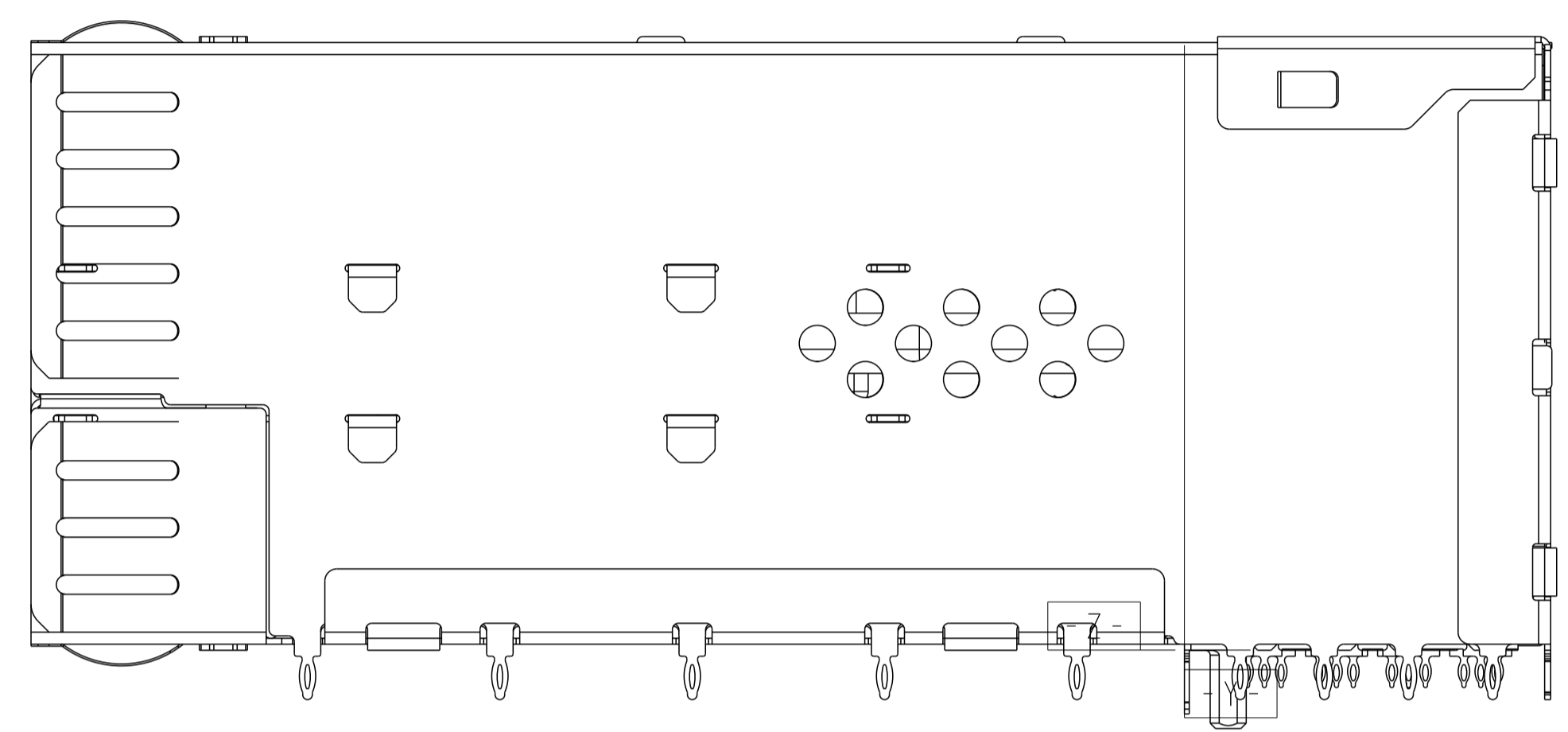
THIS DRAWING IS A CONTROLLED DOCUMENT.		DWN M. E. CONNER 06OCT2011	
DIMENSIONS: mm		CHK M. D. MORRISON 06OCT2011	
		TOLERANCES UNLESS OTHERWISE SPECIFIED: 0 PLC ±0.25 1 PLC ±0.25 2 PLC ±0.25 3 PLC ±0.25 4 PLC ±0.25 ANGLES ±° FINISH ±5°	NAME M. D. MORRISON 07OCT2011 PRODUCT SPEC 108-2481 APPLICATION SPEC 114-13319 WEIGHT - Customer Drawing
MATERIAL SEE NOTES		APVD M. D. MORRISON 07OCT2011	SIZE A100779 CAGE CODE C=2198325 DRAWING NO 2198325 RESTRICTED TO - SCALE 4:1 SHEET 3 OF 6 REV C3

LOC	DIST	REVISIONS					
GP	00	P	LYR	DESCRIPTION	DATE	DMN	APVD
		-		SEE SHEET 1			

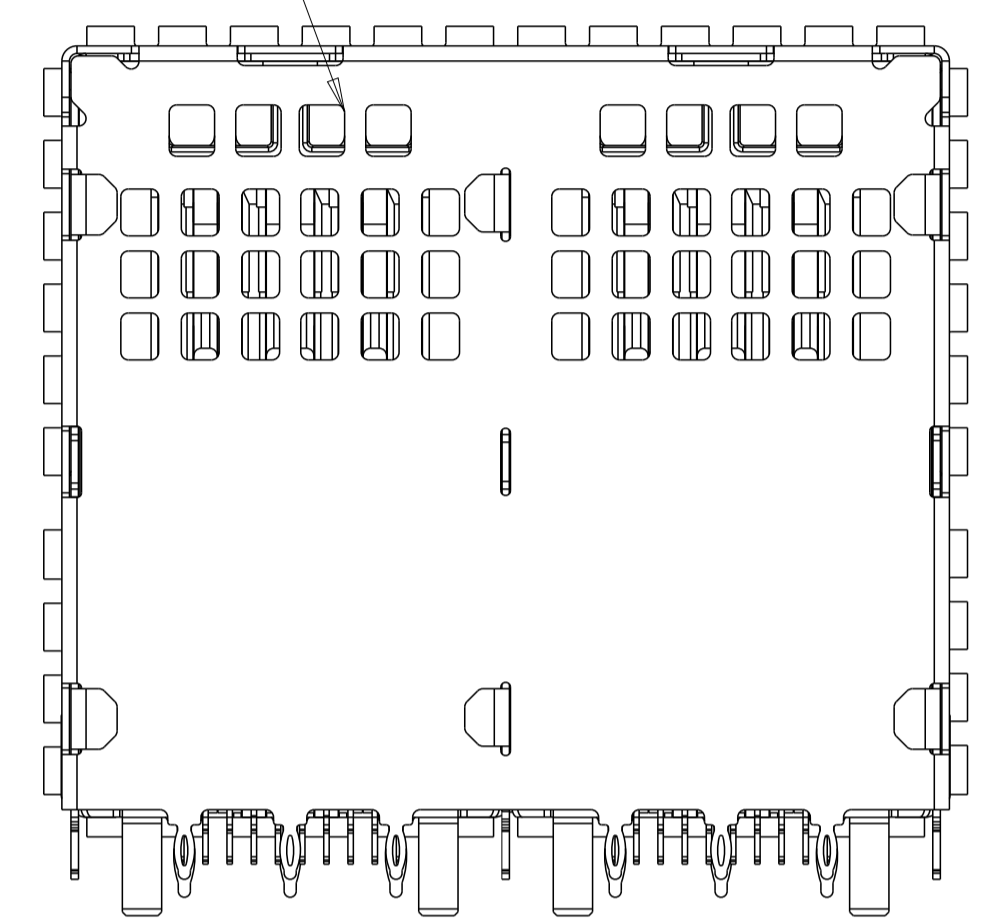
3-2198325-2 AIR FLOW ENHANCE VERSION
 UNMARKED DIMENSION SAME AS 2198325-5



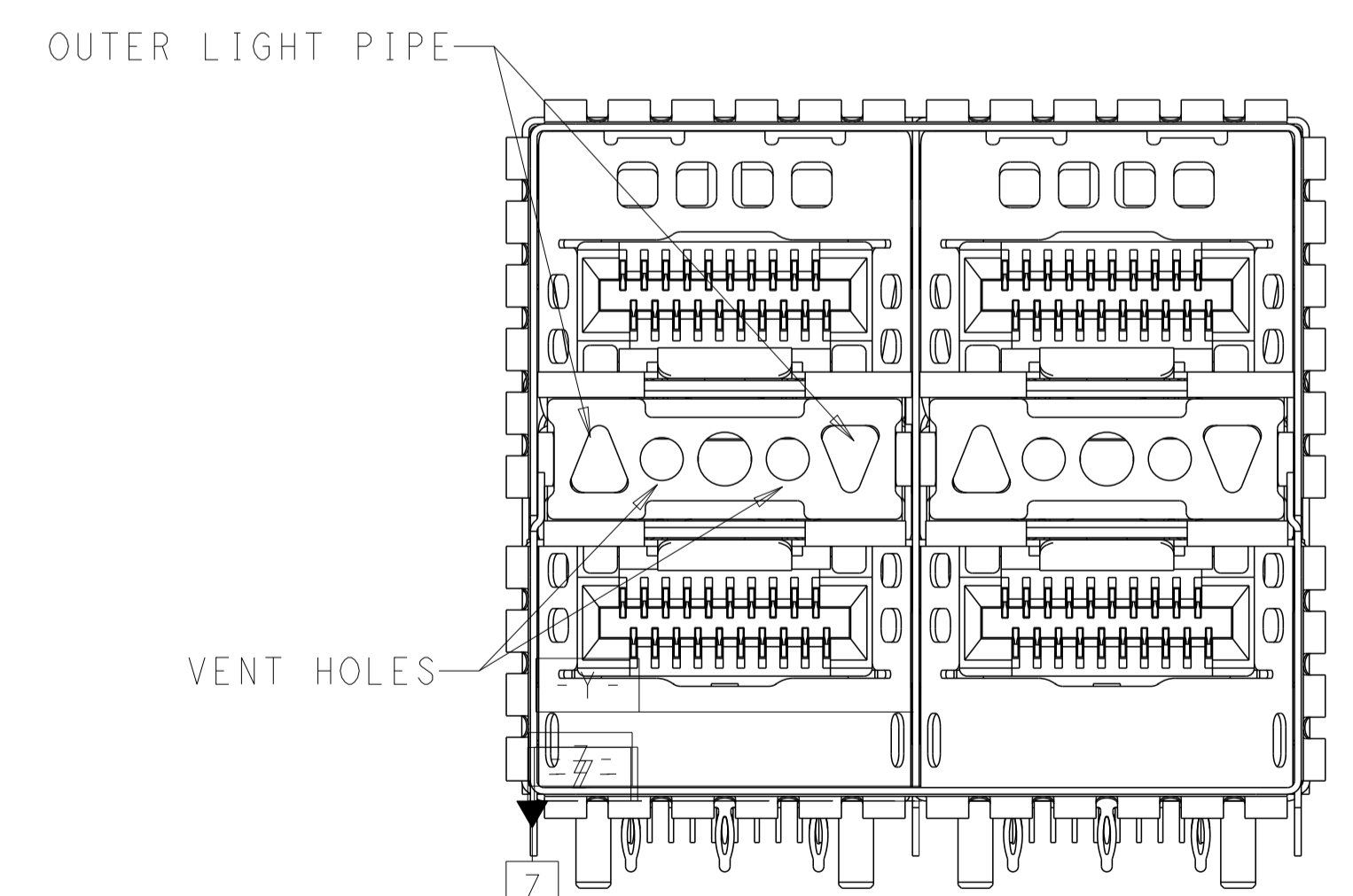
SCALE 4:1



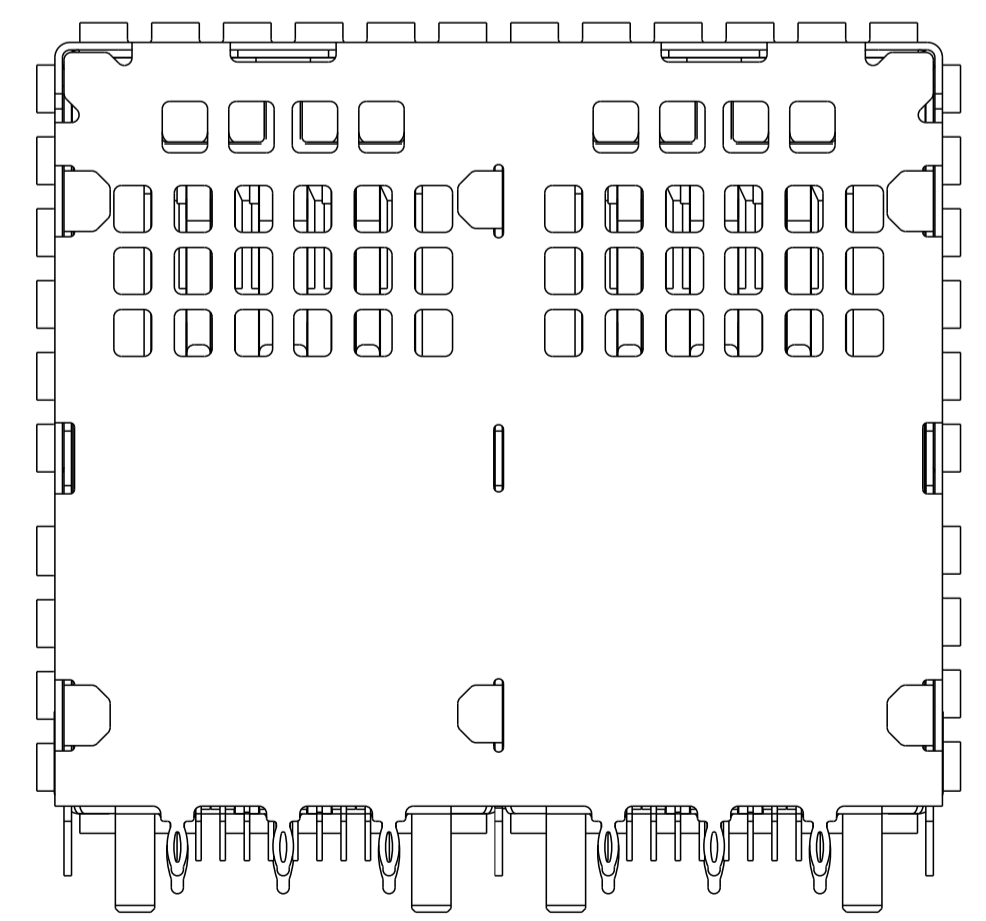
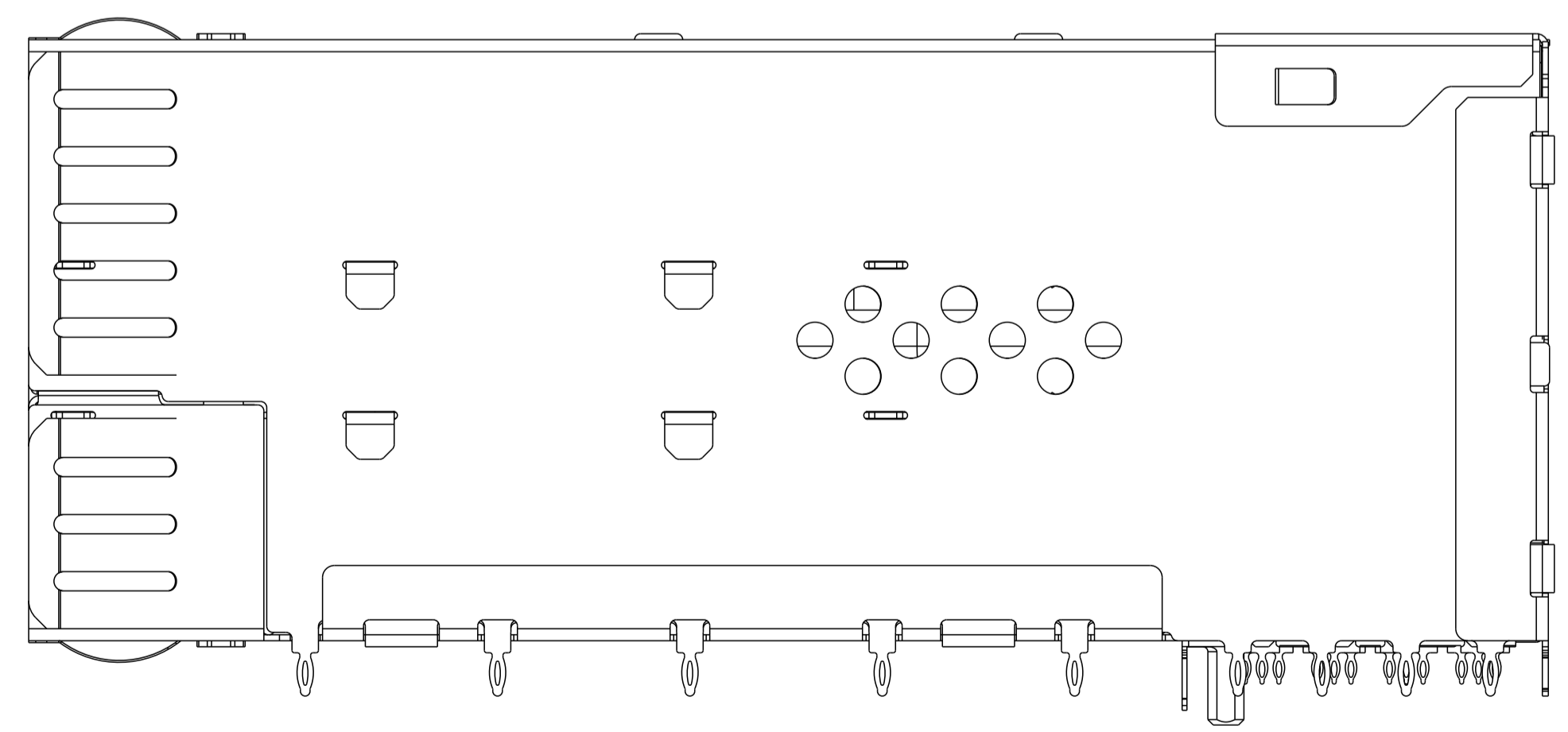
VENT HOLES PARTERN



3-2198325-3 AIR FLOW ENHANCE VERSION
 UNMARKED DIMENSION SAME AS 2198325-5

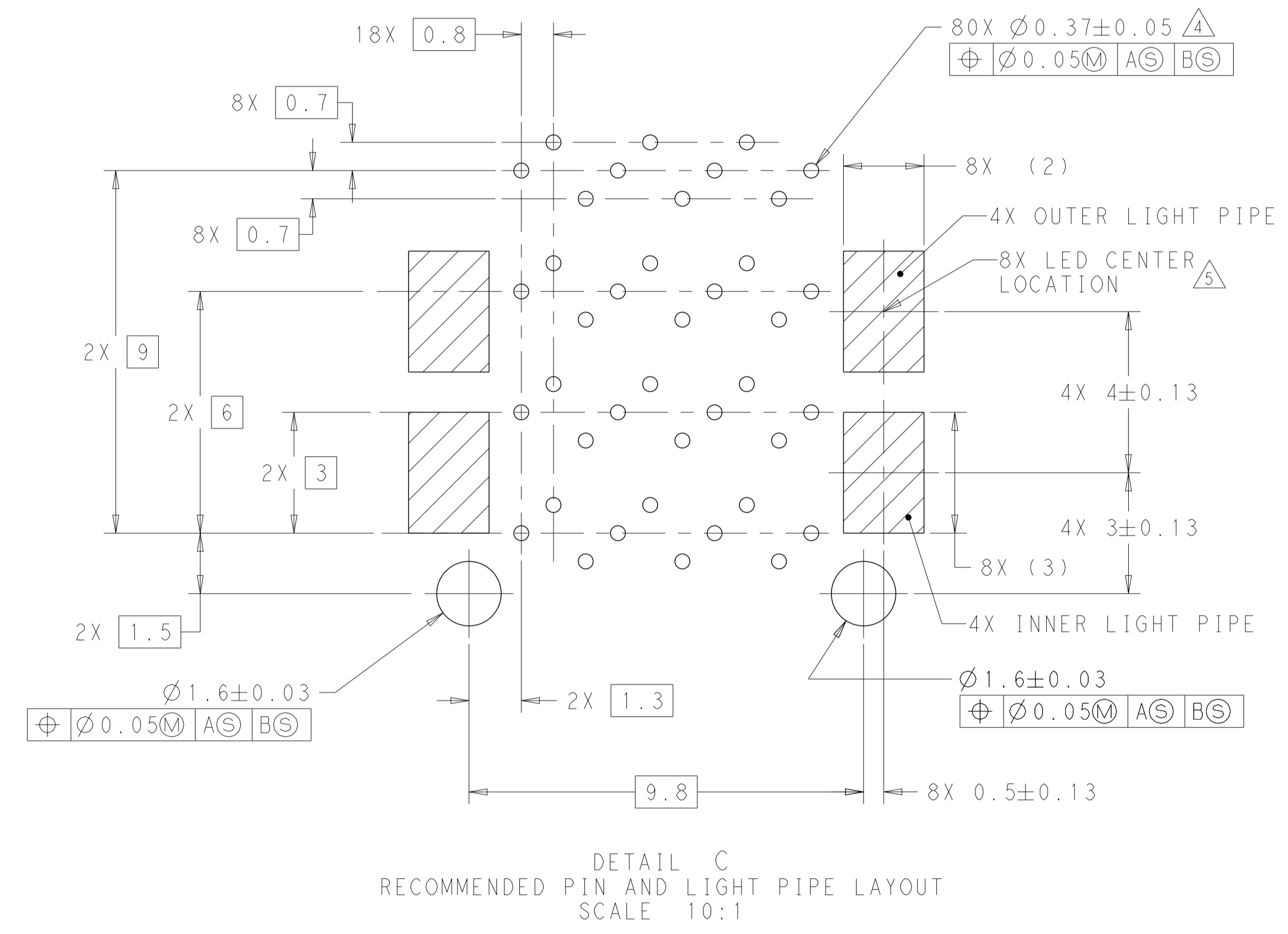
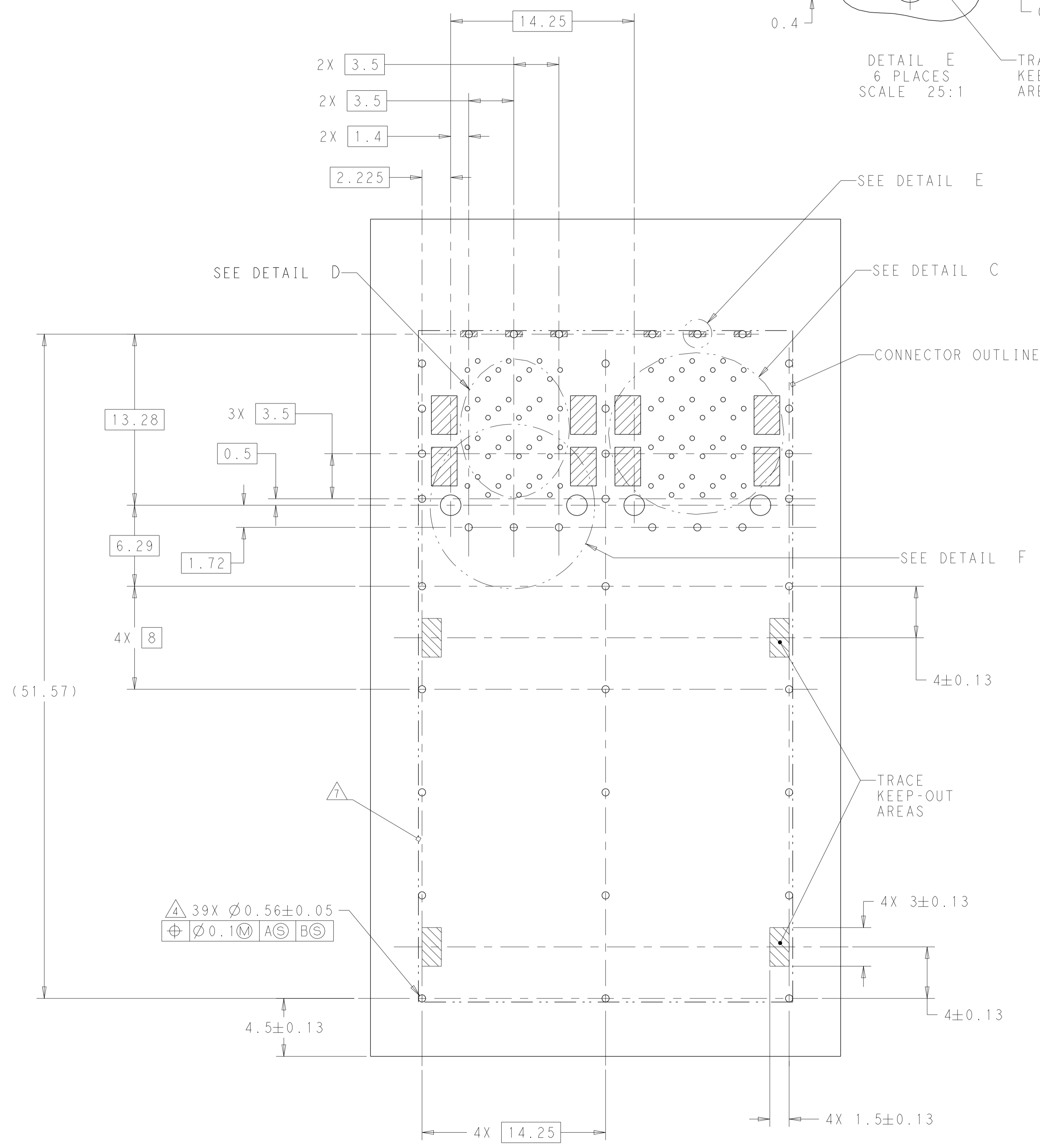
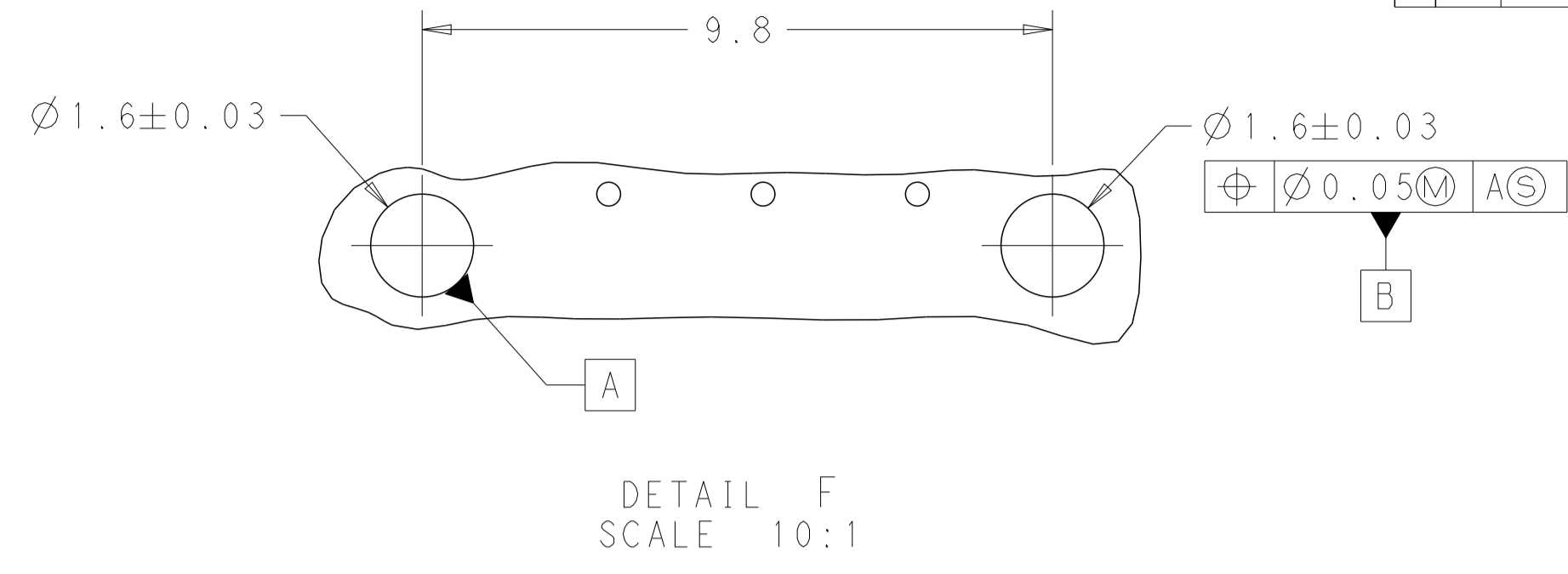
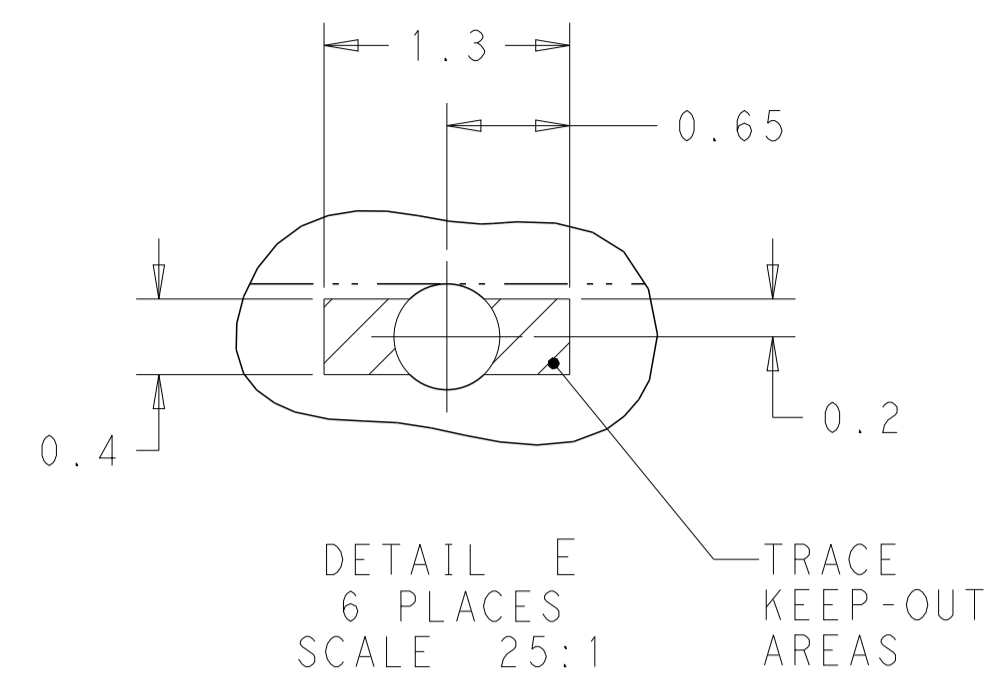


SCALE 4:1



THIS DRAWING IS A CONTROLLED DOCUMENT.		DMN M.E. CONNER 06OCT2011	TE Connectivity
DIMENSIONS: mm		CHK M.D. MORRISON 07OCT2011	
TOLERANCES UNLESS OTHERWISE SPECIFIED: 0 PLC ±0.25 1 PLC ±0.25 2 PLC ±0.25 3 PLC ±0.25 4 PLC ±0.25 ANGLES ±° ±5°		APVD M.D. MORRISON 07OCT2011	NAME RECEPTACLE ASSEMBLY, 2X2, STACKED, 2 SFP+
MATERIAL SEE NOTES FINISH SEE NOTES		PRODUCT SPEC 108-2481	SIZE CAGE CODE DRAWING NO. RESTRICTED TO
		APPLICATION SPEC 114-13319	A100779C=2198325
		WEIGHT -	SCALE 4:1 SHEET 4 OF 6 REV C3
		Customer Drawing	

LOC		DIST		REVISIONS			
GP	00	P	LYN	DESCRIPTION	DATE	DWN	APVD
		-	-	SEE SHEET 1	-	-	-



THIS DRAWING IS A CONTROLLED DOCUMENT.		DWN: M.E. CONNER 06OCT2011	TE Connectivity
DIMENSIONS: mm		CHK: M.D. MORRISON 06OCT2011	
TOLERANCES UNLESS OTHERWISE SPECIFIED:		APVD: M.D. MORRISON 07OCT2011	NAME: RECEPTACLE ASSEMBLY, 2X2, STACKED, 2SFP+
0 PLC ±0.25		PRODUCT SPEC: 108-2481	
1 PLC ±0.25		APPLICATION SPEC: 114-13319	SIZE: A1 CAGE CODE: 00779 DRAWING NO: C=2198325
2 PLC ±0.25		WEIGHT: -	
3 PLC ±0.25		FINISH: SEE NOTES	SCALE: 4:1 SHEET: 5 OF 6 REV: C3
4 PLC ±0.25		MATERIAL: SEE NOTES	
ANGLES: ±5°		Customer Drawing	

LOC	DIST	REVISIONS					
GP	00	P	LTN	DESCRIPTION	DATE	DWN	APVD
		-		SEE SHEET 1	-	-	-

T19 ○ T16 ○ T13 ○
 T20 ○ T17 ○ T14 ○ T11 ○
 T18 ○ T15 ○ T12 ○

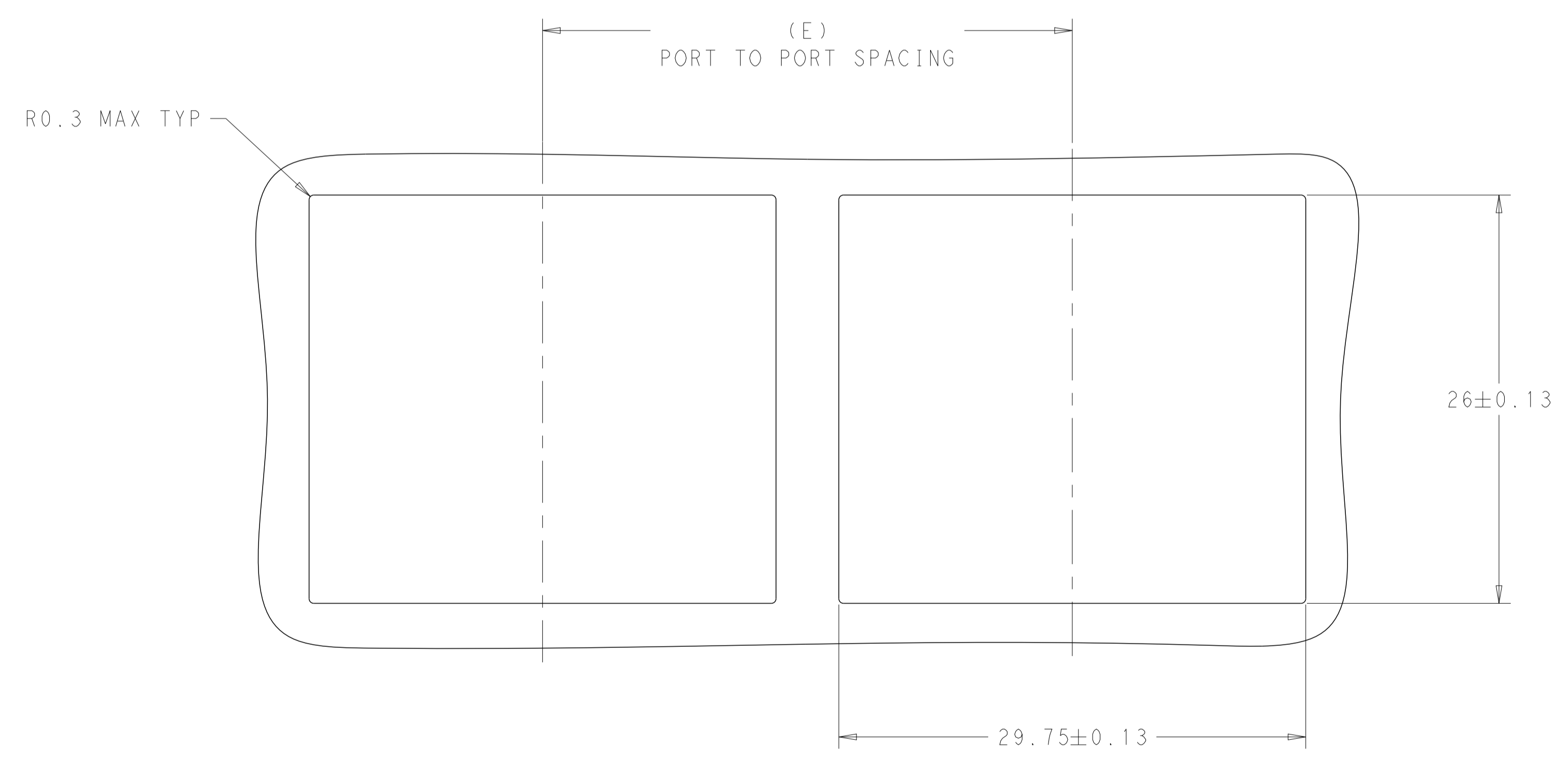
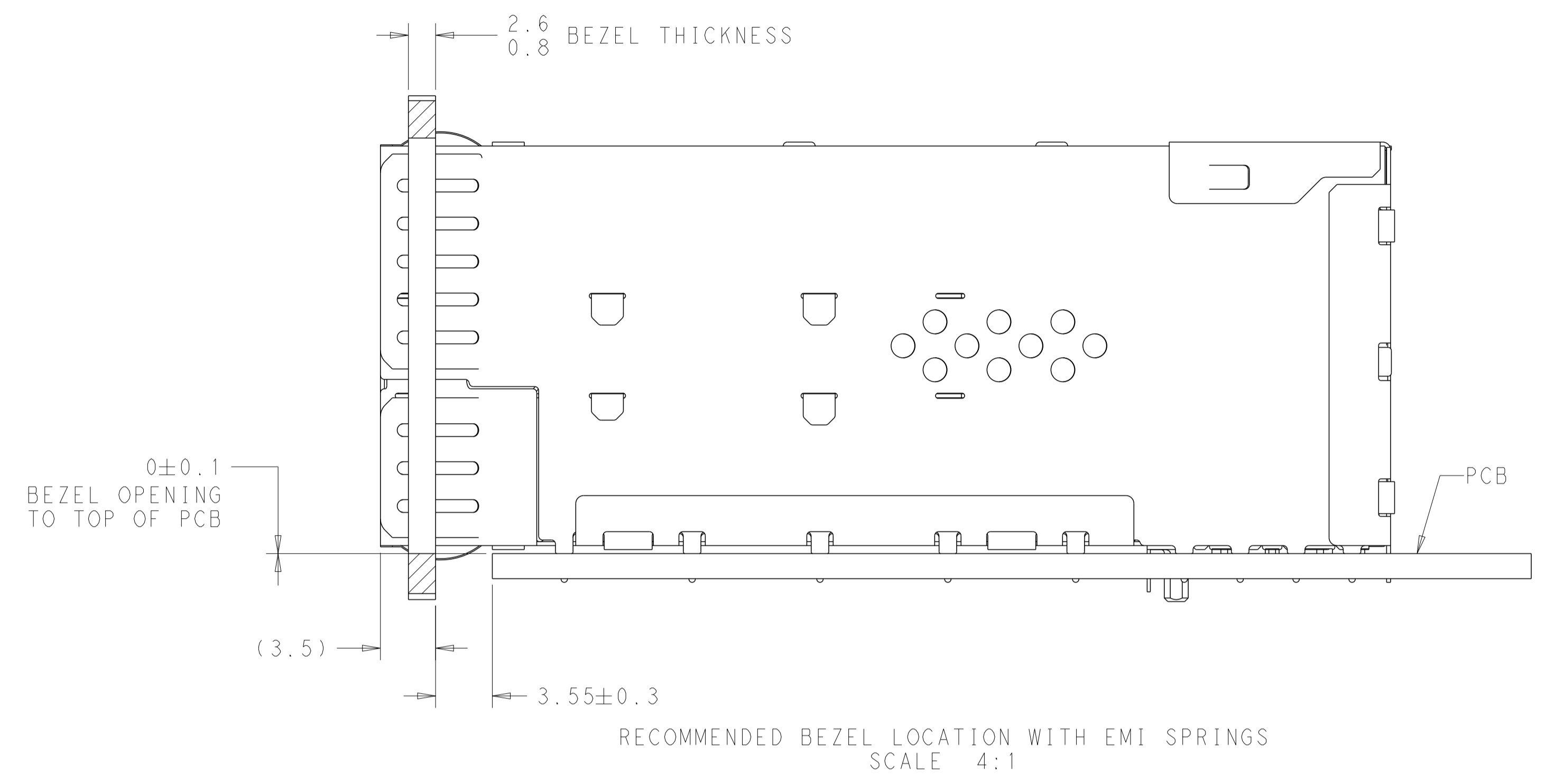
T2 ○ T5 ○ T8 ○
 T1 ○ T4 ○ T7 ○ T10 ○
 T3 ○ T6 ○ T9 ○

L9 ○ L6 ○ L3 ○
 L10 ○ L7 ○ L4 ○ L1 ○
 L8 ○ L5 ○ L2 ○

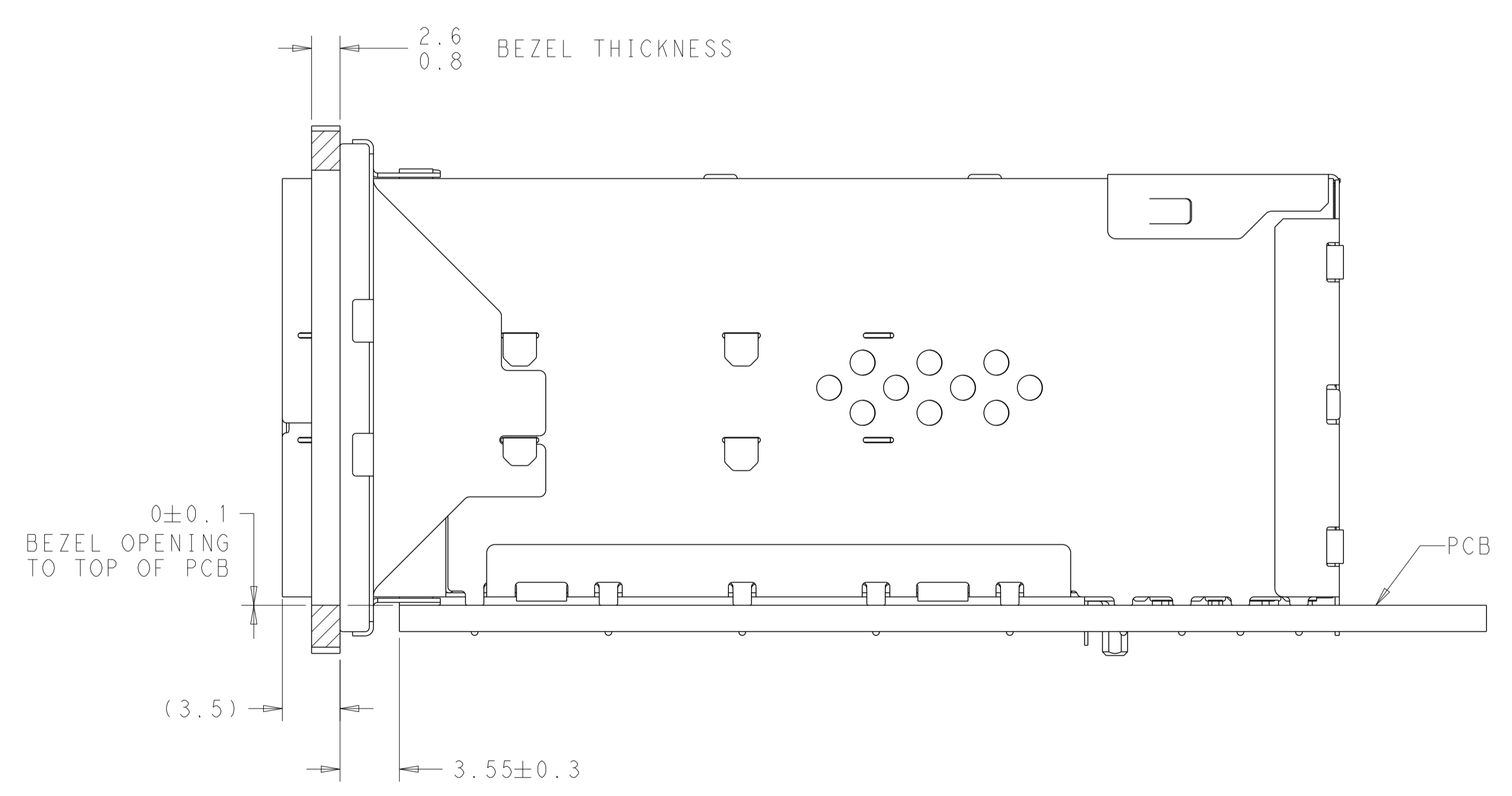
L12 ○ L15 ○ L18 ○
 L11 ○ L14 ○ L17 ○ L20 ○
 L13 ○ L16 ○ L19 ○

PIN MAP LEGEND	
PIN NUMBER	FUNCTION
L1/T1	VEET
L2/T2	TX-FAULT
L3/T3	TX-DISABLE
L4/T4	SDA
L5/T5	SCL
L6/T6	MOD_ABS
L7/T7	RSO
L8/T8	RX_LOS
L9/T9	RS1
L10/T10	VEER
L11/T11	VEER
L12/T12	RD-
L13/T13	RD+
L14/T14	VEER
L15/T15	VCCR
L16/T16	VCCT
L17/T17	VEET
L18/T18	TD+
L19/T19	TD-
L20/T20	VEET

DETAIL D
 PIN MAP
 2 PLACES
 SCALE 15:1



RECOMMENDED BEZEL CUT-OUT DETAIL
 SCALE 4:1



THIS DRAWING IS A CONTROLLED DOCUMENT.		DWN M. E. CONNER 06OCT2011	TE Connectivity
DIMENSIONS: mm		CHK M. D. MORRISON 06OCT2011	
TOLERANCES UNLESS OTHERWISE SPECIFIED:		APVD M. D. MORRISON 07OCT2011	NAME RECEPTACLE ASSEMBLY, 2X2, STACKED, 2 SFP+
0 PLC	±0.25	PRODUCT SPEC	108-2481
2 PLC	±0.25	APPLICATION SPEC	114-13319
3 PLC	±0.25	WEIGHT	-
4 PLC	±0.25	SIZE	A100779C=2198325
ANGLES	±°	Customer Drawing	SCALE 4:1 SHEET 6 OF 6 REV C3
FINISH	±5°		