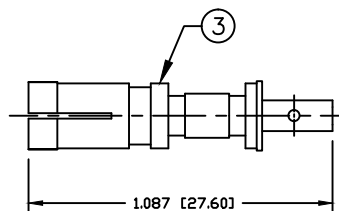
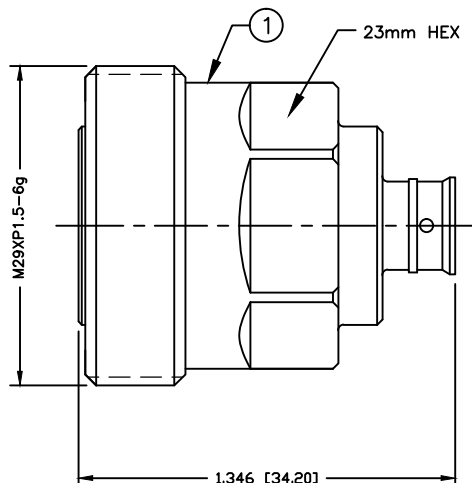


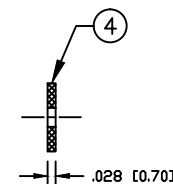
PART NO.

RFD-1625-HPL

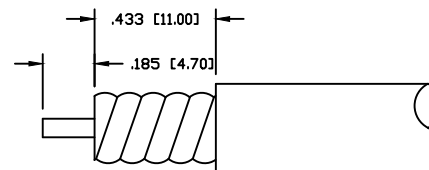
| REV | DESCRIPTION | DWN | DATE | APPROVED |
|-----|---------------------|-----|----------|----------|
| - | ENGINEERING RELEASE | CZS | 08/08/16 | JDMc |



SOLDER ONLY
CONTACT



REAR INSULATOR



RECOMMENDED STRIPPING DIMENSIONS

SPECIFICATIONS:

INTERFACE: IEC61169-16
 IMPEDANCE: 50 OHMS
 FREQUENCY RANGE: DC-3 GHz
 VSWR MAX: <1.15:1 @ 3 GHz
 3rd ORDER IM: ≤-155 dBc
 TEMPERATURE RANGE: -55°C TO +165°C
 FOR SSP-250-LLP TIMES MICROWAVE

| # | DESCRIPTION | QTY | MATERIAL | FINISH |
|---|----------------|-----|----------|--------------|
| 4 | REAR INSULATOR | 1 | PTFE | ---- |
| 3 | CONTACT | 1 | BeCu | SILVER |
| 2 | INSULATOR | 1 | PTFE | ---- |
| 1 | BODY | 1 | BRASS | WHITE BRONZE |

| CUSTOMER OUTLINE DRAWING | |
|--|----------|
| ALL DIMENSIONS ARE REFERENCE ONLY | |
| UNLESS OTHERWISE SPECIFIED: DIMENSIONS ARE IN INCHES AND [MILLIMETERS] | |
| DRAWN C. ZUNIGA | 08/08/16 |
| CHECKED | |
| ORJ DRAWN C. ZUNIGA | 08/08/16 |

RoHS
COMPLIANT

PROPRIETARY AND CONFIDENTIAL
 THIS DRAWING CONTAINS
 INFORMATION PROPRIETARY TO
 RF INDUSTRIES, ANY
 UNAUTHORIZED USE OF THIS
 DRAWING IS EXPRESSLY
 PROHIBITED WITHOUT WRITTEN
 PERMISSION FROM RF
 INDUSTRIES. ANY VIOLATION IS
 PUNISHABLE UNDER U.S.
 COPYRIGHT LAWS.

RFconnectors
 DIVISION OF RF INDUSTRIES, LTD. 7610 MIRAMAR RD.
 SAN DIEGO, CA 92126
 (858) 549-6340
 (858) 549-6345 FAX

7/16 DIN FEMALE
 DIRECT SOLDER

| SIZE | CABLE GROUP | DWG NO. | REV |
|---------------|---------------------------|---------------------|-----|
| A | HPL | RFD-1625-HPL | — |
| SCALE: NTS | ENGINEERING ID: 000000 | SHEET 1 OF 1 | |