



ARM Cortex™-M0

32-BIT MICROCONTROLLER

**NuMicro™ Family
NUC140 Data Sheet**

The information described in this document is the exclusive intellectual property of Nuvoton Technology Corporation and shall not be reproduced without permission from Nuvoton.

Nuvoton is providing this document only for reference purposes of NuMicro microcontroller based system design. Nuvoton assumes no responsibility for errors or omissions.

All data and specifications are subject to change without notice.

For additional information or questions, please contact: Nuvoton Technology Corporation.

Contents

1	GENERAL DESCRIPTION	7
2	FEATURES	8
2.1	NuMicro™ NUC140 Features – Connectivity Line	8
3	PARTS INFORMATION LIST AND PIN CONFIGURATION	12
3.1	NuMicro™ NUC140 Products Selection Guide	12
3.1.1	NuMicro™ NUC140 Connectivity Line Selection Guide	12
3.2	Pin Configuration	13
3.2.1	NuMicro™ NUC140 Pin Diagram	13
4	BLOCK DIAGRAM	16
4.1	NuMicro™ NUC140 Block Diagram	16
4.1.1	NuMicro™ NUC140 Block Diagram	16
5	FUNCTIONAL DESCRIPTION	17
5.1	ARM® Cortex™-M0 Core	17
5.2	System Manager	19
5.2.1	Overview	19
5.2.2	System Reset	19
5.2.3	System Power Distribution	20
5.2.4	System Memory Map	21
5.2.5	System Timer (SysTick)	23
5.2.6	Nested Vectored Interrupt Controller (NVIC)	24
5.3	Clock Controller	28
5.3.1	Overview	28
5.3.2	Clock Generator	30
5.3.3	System Clock and SysTick Clock	31
5.3.4	Peripherals Clock	32
5.3.5	Power Down Mode Clock	32
5.3.6	Frequency Divider Output	33
5.4	USB Device Controller (USB)	34
5.4.1	Overview	34
5.4.2	Features	34
5.5	General Purpose I/O (GPIO)	35
5.5.1	Overview	35
5.5.2	Features	35
5.6	I ² C Serial Interface Controller (Master/Slave) (I ² C)	36
5.6.1	Overview	36
5.6.2	Features	37
5.7	PWM Generator and Capture Timer (PWM)	38
5.7.1	Overview	38
5.7.2	Features	39
5.8	Real Time Clock (RTC)	40

	5.8.1	Overview	40
	5.8.2	Features	40
5.9		Serial Peripheral Interface (SPI)	41
	5.9.1	Overview	41
	5.9.2	Features	41
5.10		Timer Controller (TMR)	42
	5.10.1	Overview	42
	5.10.2	Features	42
5.11		Watchdog Timer (WDT)	43
	5.11.1	Overview	43
	5.11.2	Features	45
5.12		UART Interface Controller (UART)	46
	5.12.1	Overview	46
	5.12.2	Features	48
5.13		Controller Area Network (CAN)	49
	5.13.1	Overview	49
	5.13.2	Features	49
5.14		PS/2 Device Controller (PS2D)	50
	5.14.1	Overview	50
	5.14.2	Features	50
5.15		I ² S Controller (I ² S)	51
	5.15.1	Overview	51
	5.15.2	Features	51
5.16		Analog-to-Digital Converter (ADC)	52
	5.16.1	Overview	52
	5.16.2	Features	52
5.17		Analog Comparator (CMP)	53
	5.17.1	Overview	53
	5.17.2	Features	53
5.18		PDMA Controller (PDMA)	54
	5.18.1	Overview	54
	5.18.2	Features	54
5.19		External Bus Interface (EBI)	55
	5.19.1	Overview	55
	5.19.2	Features	55
6		FLASH MEMORY CONTROLLER (FMC)	56
	6.1	Overview	56
	6.2	Features	56
7		ELECTRICAL CHARACTERISTICS	57
	7.1	Absolute Maximum Ratings	57
	7.2	DC Electrical Characteristics	58
	7.2.1	NuMicro™ NUC130/NUC140 DC Electrical Characteristics	58

7.3	AC Electrical Characteristics	63
7.3.1	External 4~24 MHz High Speed Oscillator	63
7.3.2	External 4~24 MHz High Speed Crystal	63
7.3.3	External 32.768 kHz Low Speed Crystal	64
7.3.4	Internal 22.1184 MHz High Speed Oscillator	64
7.3.5	Internal 10 kHz Low Speed Oscillator	64
7.4	Analog Characteristics	65
7.4.1	Specification of 12-bit SARADC	65
7.4.2	Specification of LDO and Power management	66
7.4.3	Specification of Low Voltage Reset	67
7.4.4	Specification of Brown-Out Detector	67
7.4.5	Specification of Power-On Reset (5 V)	67
7.4.6	Specification of Temperature Sensor	68
7.4.7	Specification of Comparator	68
7.4.8	Specification of USB PHY	69
7.5	Flash DC Electrical Characteristics	70
7.6	SPI Dynamic Characteristics	71
8	PACKAGE DIMENSIONS	73
8.1	100L LQFP (14x14x1.4 mm footprint 2.0mm)	73
8.2	64L LQFP (10x10x1.4mm footprint 2.0 mm)	74
8.3	48L LQFP (7x7x1.4mm footprint 2.0mm)	75
9	REVISION HISTORY	76

Figures

Figure 3-1 NuMicro™ NUC100 Series selection code	12
Figure 3-5 NuMicro™ NUC140 LQFP 100-pin Pin Diagram	13
Figure 3-6 NuMicro™ NUC140 LQFP 64-pin Pin Diagram	14
Figure 3-7 NuMicro™ NUC140 LQFP 48-pin Pin Diagram	15
Figure 4-2 NuMicro™ NUC140 Block Diagram	16
Figure 5-1 Functional Controller Diagram	17
Figure 5-2 NuMicro™ NUC140 Power Distribution Diagram.....	20
Figure 5-4 Clock generator global view diagram	29
Figure 5-5 Clock generator block diagram.....	30
Figure 5-6 System Clock Block Diagram	31
Figure 5-7 SysTick Clock Control Block Diagram	31
Figure 5-8 Clock Source of Frequency Divider	33
Figure 5-9 Block Diagram of Frequency Divider	33
Figure 5-10 I ² C Bus Timing	36
Figure 5-11 Timing of Interrupt and Reset Signal	44
Figure 7-1 Typical Crystal Application Circuit	64
Figure 7-2 SPI Master dynamic characteristics tiMING	72
Figure 7-3 SPI Slave dynamic characteristics timing.....	72

Tables

Table 1-1 Connectivity Supported Table.....	7
Table 5-1 Address Space Assignments for On-Chip Controllers.....	22
Table 5-2 Exception Model	25
Table 5-3 System Interrupt Map.....	26
Table 5-4 Vector Table Format	27
Table 5-5 Watchdog Timeout Interval Selection	44
Table 5-6 UART Baud Rate Equation.....	46
Table 5-7 UART Baud Rate Setting Table.....	47

1 GENERAL DESCRIPTION

The NuMicro™ NUC100 Series is 32-bit microcontrollers with embedded ARM® Cortex™-M0 core for industrial control and applications which need rich communication interfaces. The Cortex™-M0 is the newest ARM® embedded processor with 32-bit performance and at a cost equivalent to traditional 8-bit microcontroller. NuMicro™ NUC100 Series includes NUC100, NUC120, NUC130 and NUC140 product line.

The NuMicro™ NUC140 Connectivity Line with USB 2.0 full-speed and CAN functions embeds Cortex™-M0 core running up to 50 MHz with 32K/64K/128K-byte embedded flash, 4K/8K/16K-byte embedded SRAM, and 4K-byte loader ROM for the ISP.. It also equips with plenty of peripheral devices, such as Timers, Watchdog Timer, RTC, PDMA, UART, SPI, I²C, I²S, PWM Timer, GPIO, LIN, CAN, PS/2, USB 2.0 FS Device, 12-bit ADC, Analog Comparator, Low Voltage Reset Controller and Brown-out Detector.

Product Line	UART	SPI	I ² C	USB	LIN	CAN	PS/2	I ² S
NUC100	•	•	•				•	•
NUC120	•	•	•	•			•	•
NUC130	•	•	•		•	•	•	•
NUC140	•	•	•	•	•	•	•	•

Table 1-1 Connectivity Supported Table

2 FEATURES

The equipped features are dependent on the product line and their sub products.

2.1 NuMicro™ NUC140 Features – Connectivity Line

- Core
 - ARM® Cortex™-M0 core runs up to 50 MHz
 - One 24-bit system timer
 - Supports low power sleep mode
 - Single-cycle 32-bit hardware multiplier
 - NVIC for the 32 interrupt inputs, each with 4-levels of priority
 - Serial Wire Debug supports with 2 watchpoints/4 breakpoints
- Build-in LDO for wide operating voltage ranges from 2.5 V to 5.5 V
- Flash Memory
 - 32K/64K/128K bytes Flash for program code
 - 4KB flash for ISP loader
 - Support In-system program (ISP) application code update
 - 512 byte page erase for flash
 - Configurable data flash address and size for 128KB system, fixed 4KB data flash for the 32KB and 64KB system
 - Support 2 wire ICP update through SWD/ICE interface
 - Support fast parallel programming mode by external programmer
- SRAM Memory
 - 4K/8K/16K bytes embedded SRAM
 - Support PDMA mode
- PDMA (Peripheral DMA)
 - Support 9 channels PDMA for automatic data transfer between SRAM and peripherals
- Clock Control
 - Flexible selection for different applications
 - Built-in 22.1184 MHz high speed OSC for system operation
 - ◆ Trimmed to $\pm 1\%$ at $+25\text{ }^{\circ}\text{C}$ and $V_{DD} = 5\text{ V}$
 - ◆ Trimmed to $\pm 3\%$ at $-40\text{ }^{\circ}\text{C} \sim +85\text{ }^{\circ}\text{C}$ and $V_{DD} = 2.5\text{ V} \sim 5.5\text{ V}$
 - Built-in 10 KHz low speed OSC for Watchdog Timer and Wake-up operation
 - Support one PLL, up to 50 MHz, for high performance system operation
 - External 4~24 MHz high speed crystal input for USB and precise timing operation
 - External 32.768 kHz low speed crystal input for RTC function and low power system operation
- GPIO
 - Four I/O modes:
 - ◆ Quasi bi-direction
 - ◆ Push-Pull output
 - ◆ Open-Drain output
 - ◆ Input only with high impedance
 - TTL/Schmitt trigger input selectable
 - I/O pin can be configured as interrupt source with edge/level setting
 - High driver and high sink IO mode support

- Timer
 - Support 4 sets of 32-bit timers with 24-bit up-timer and one 8-bit pre-scale counter
 - Independent clock source for each timer
 - Provides one-shot, periodic, toggle and continuous counting operation modes
 - Support event counting function
 - Support input capture function
- Watchdog Timer
 - Multiple clock sources
 - 8 selectable time out period from 1.6ms ~ 26.0sec (depends on clock source)
 - WDT can wake-up from power down or idle mode
 - Interrupt or reset selectable on watchdog time-out
- RTC
 - Support software compensation by setting frequency compensate register (FCR)
 - Support RTC counter (second, minute, hour) and calendar counter (day, month, year)
 - Support Alarm registers (second, minute, hour, day, month, year)
 - Selectable 12-hour or 24-hour mode
 - Automatic leap year recognition
 - Support periodic time tick interrupt with 8 period options 1/128, 1/64, 1/32, 1/16, 1/8, 1/4, 1/2 and 1 second
 - Support wake-up function
- PWM/Capture
 - Built-in up to four 16-bit PWM generators provide eight PWM outputs or four complementary paired PWM outputs
 - Each PWM generator equipped with one clock source selector, one clock divider, one 8-bit prescaler and one Dead-Zone generator for complementary paired PWM
 - Up to eight 16-bit digital Capture timers (shared with PWM timers) provide eight rising/falling capture inputs
 - Support Capture interrupt
- UART
 - Up to three UART controllers
 - UART ports with flow control (TXD, RXD, CTS and RTS)
 - UART0 with 64-byte FIFO is for high speed
 - UART1/2(optional) with 16-byte FIFO for standard device
 - Support IrDA (SIR) and LIN function
 - Support RS-485 9-bit mode and direction control.
 - Programmable baud-rate generator up to 1/16 system clock
 - Support PDMA mode
- SPI
 - Up to four sets of SPI controller
 - Master up to 32 MHz, and Slave up to 10 MHz (chip working @ 5V)
 - Support SPI master/slave mode
 - Full duplex synchronous serial data transfer
 - Variable length of transfer data from 1 to 32 bits
 - MSB or LSB first data transfer
 - Rx and Tx on both rising or falling edge of serial clock independently
 - 2 slave/device select lines when it is as the master, and 1 slave/device select line when it is as the slave
 - Support byte suspend mode in 32-bit transmission
 - Support PDMA mode
 - Support three wire, no slave select signal, bi-direction interface

- I²C

- Up to two sets of I²C device
- Master/Slave mode
- Bidirectional data transfer between masters and slaves
- Multi-master bus (no central master)
- Arbitration between simultaneously transmitting masters without corruption of serial data on the bus
- Serial clock synchronization allows devices with different bit rates to communicate via one serial bus
- Serial clock synchronization can be used as a handshake mechanism to suspend and resume serial transfer
- Programmable clocks allow versatile rate control
- Support multiple address recognition (four slave address with mask option)

- I²S

- Interface with external audio CODEC
- Operate as either master or slave mode
- Capable of handling 8-, 16-, 24- and 32-bit word sizes
- Mono and stereo audio data supported
- I²S and MSB justified data format supported
- Two 8 word FIFO data buffers are provided, one for transmit and one for receive
- Generates interrupt requests when buffer levels cross a programmable boundary
- Support two DMA requests, one for transmit and one for receive

- CAN 2.0

- Supports CAN protocol version 2.0 part A and B
- Bit rates up to 1M bit/s
- 32 Message Objects
- Each Message Object has its own identifier mask
- Programmable FIFO mode (concatenation of Message Object)
- Maskable interrupt
- Disabled Automatic Re-transmission mode for Time Triggered CAN applications
- Support power down wake-up function

- PS/2 Device Controller

- Host communication inhibit and request to send detection
- Reception frame error detection
- Programmable 1 to 16 bytes transmit buffer to reduce CPU intervention
- Double buffer for data reception
- S/W override bus

- USB 2.0 Full-Speed Device

- One set of USB 2.0 FS Device 12Mbps
- On-chip USB Transceiver
- Provide 1 interrupt source with 4 interrupt events
- Support Control, Bulk In/Out, Interrupt and Isochronous transfers
- Auto suspend function when no bus signaling for 3 ms
- Provide 6 programmable endpoints
- Include 512 Bytes internal SRAM as USB buffer
- Provide remote wake-up capability

- EBI (External bus interface) support (100-pin and 64-pin Package Only)

- Accessible space: 64KB in 8-bit mode or 128KB in 16-bit mode
- Support 8-/16-bit data width

- Support byte write in 16-bit data width mode
- ADC
 - 12-bit SAR ADC with 700K SPS
 - Up to 8-ch single-end input or 4-ch differential input
 - Single scan/single cycle scan/continuous scan
 - Each channel with individual result register
 - Scan on enabled channels
 - Threshold voltage detection
 - Conversion start by software programming or external input
 - Support PDMA Mode
- Analog Comparator
 - Up to two analog comparators
 - External input or internal bandgap voltage selectable at negative node
 - Interrupt when compare result change
 - Power down wake-up
- One built-in temperature sensor with 1°C resolution
- Brown-Out detector
 - With 4 levels: 4.5 V/3.8 V/2.7 V/2.2 V
 - Support Brown-Out Interrupt and Reset option
- Low Voltage Reset
 - Threshold voltage levels: 2.0 V
- Operating Temperature: -40°C~85°C
- Packages:
 - All Green package (RoHS)
 - LQFP 100-pin / 64-pin / 48-pin

3 PARTS INFORMATION LIST AND PIN CONFIGURATION

3.1 NuMicro™ NUC140 Products Selection Guide

3.1.1 NuMicro™ NUC140 Connectivity Line Selection Guide

Part number	APROM	RAM	Data Flash	ISP Loader ROM	I/O	Timer	Connectivity					I ² S	Comp.	PWM	ADC	RTC	EBI	ISP ICP	Package
							UART	SPI	I ² C	USB	LIN								
NUC140LC1CN	32 KB	4 KB	4 KB	4 KB	up to 31	4x32-bit	2	1	2	1	2	1	1	4	8x12-bit	v	-	v	LQFP48
NUC140LD2CN	64 KB	8 KB	4 KB	4 KB	up to 31	4x32-bit	2	1	2	1	2	1	1	4	8x12-bit	v	-	v	LQFP48
NUC140LE3CN	128 KB	16 KB	Definable	4 KB	up to 31	4x32-bit	2	1	2	1	2	1	1	4	8x12-bit	v	-	v	LQFP48
NUC140RC1CN	32 KB	4 KB	4 KB	4 KB	up to 45	4x32-bit	3	2	2	1	2	1	2	4	8x12-bit	v	v	v	LQFP64
NUC140RD2CN	64 KB	8 KB	4 KB	4 KB	up to 45	4x32-bit	3	2	2	1	2	1	2	4	8x12-bit	v	v	v	LQFP64
NUC140RE3CN	128 KB	16 KB	Definable	4 KB	up to 45	4x32-bit	3	2	2	1	2	1	2	4	8x12-bit	v	v	v	LQFP64
NUC140VE3CN	128 KB	16 KB	Definable	4 KB	up to 76	4x32-bit	3	4	2	1	2	1	2	8	8x12-bit	v	v	v	LQFP100

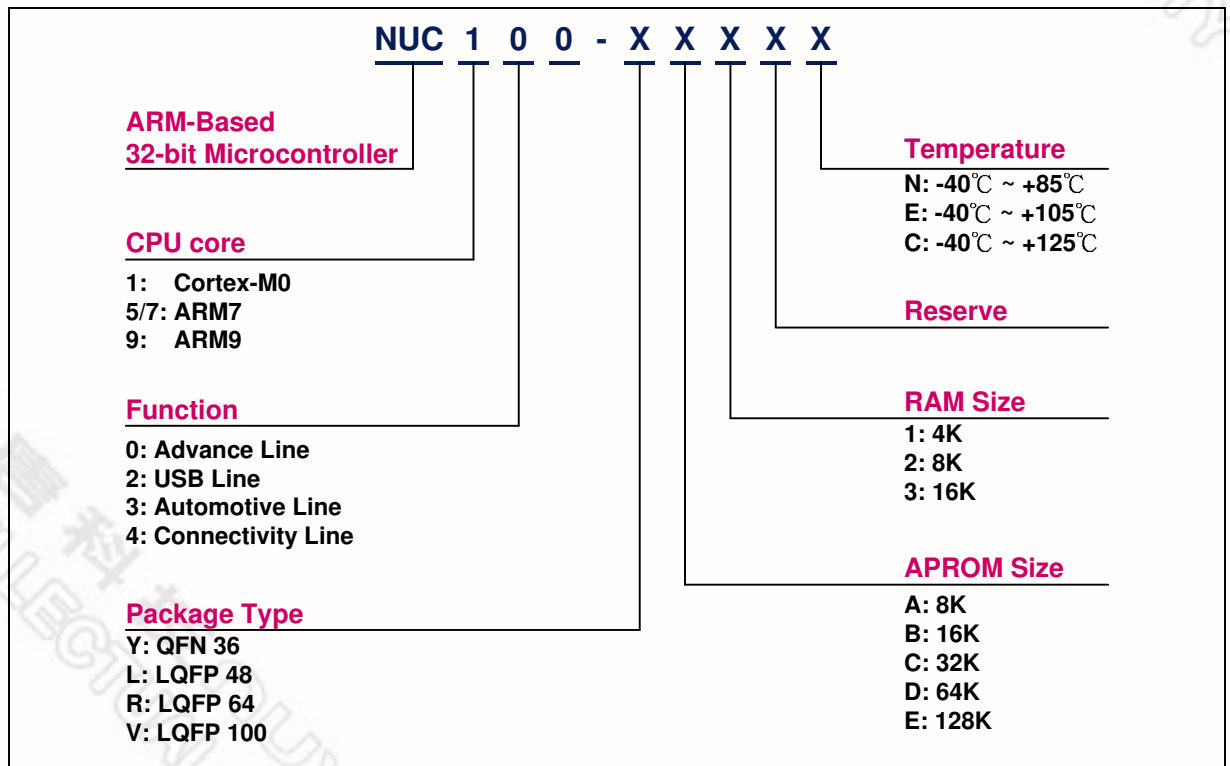


Figure 3-1 NuMicro™ NUC100 Series selection code



3.2 Pin Configuration

3.2.1 NuMicro™ NUC140 Pin Diagram

3.2.1.1 NuMicro™ NUC140 LQFP 100 pin

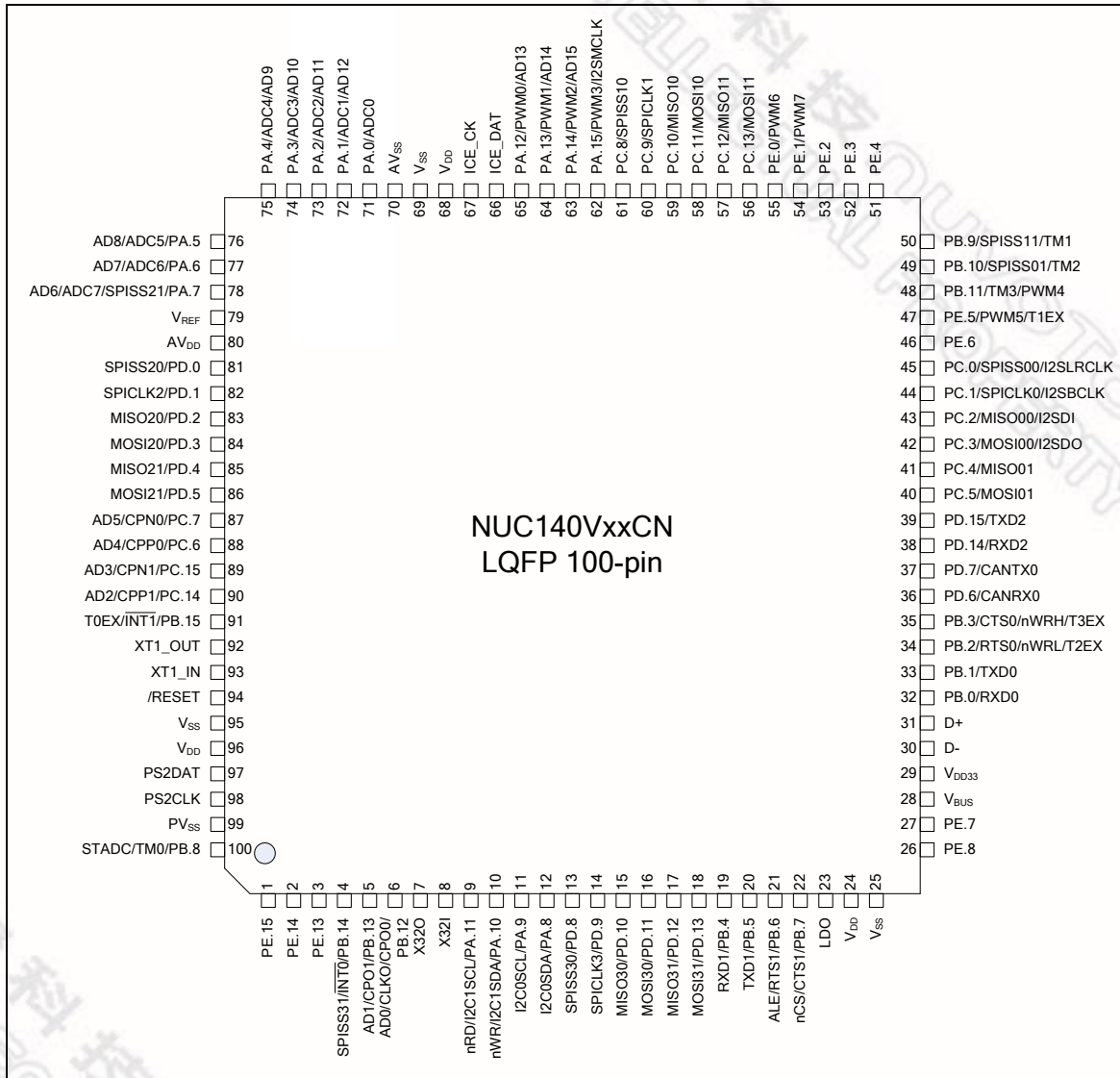


Figure 3-2 NuMicro™ NUC140 LQFP 100-pin Pin Diagram

3.2.1.2 NuMicro™ NUC140 LQFP 64 pin

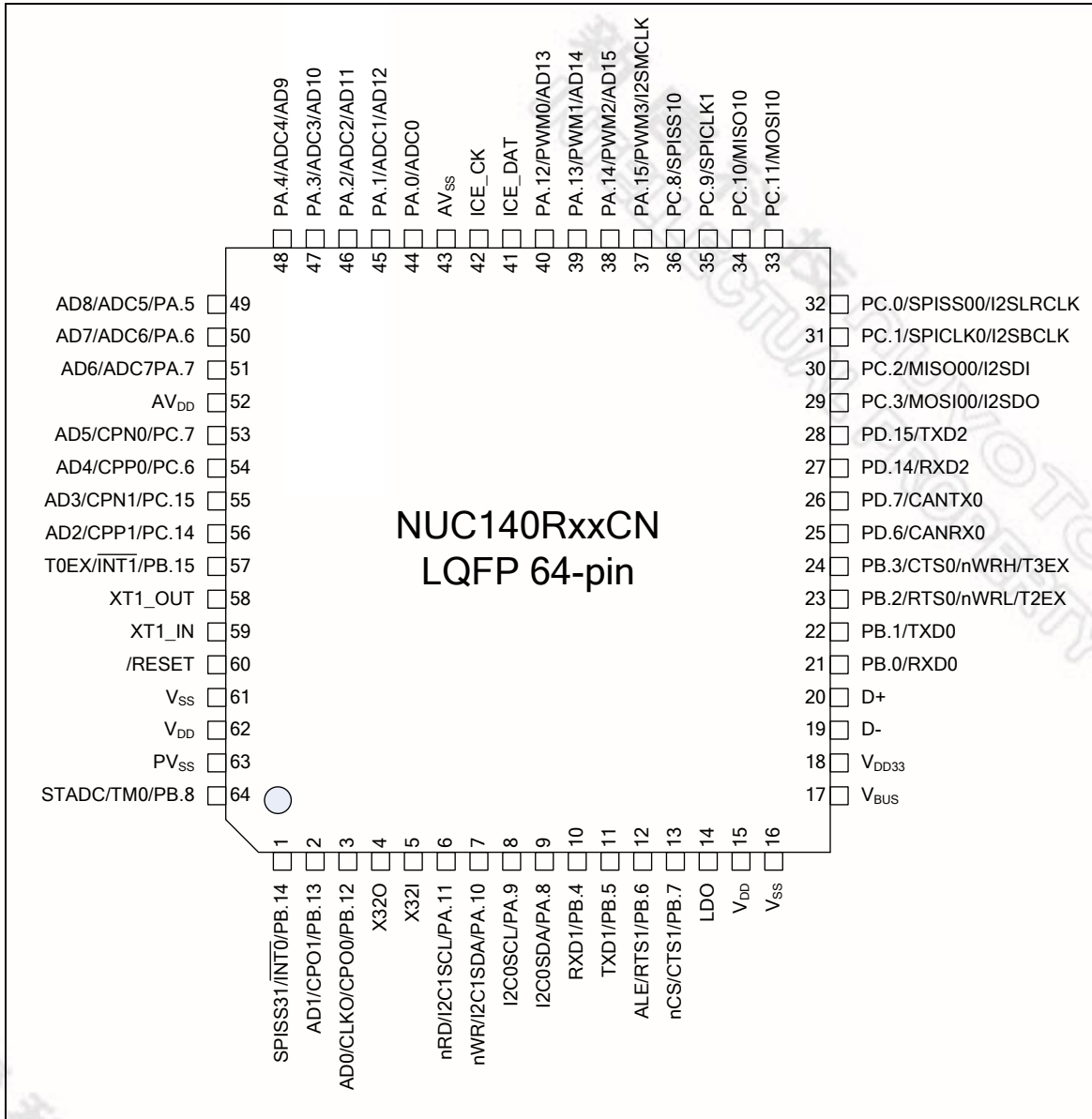


Figure 3-3 NuMicro™ NUC140 LQFP 64-pin Pin Diagram

3.2.1.3 NuMicro™ NUC140 LQFP 48 pin

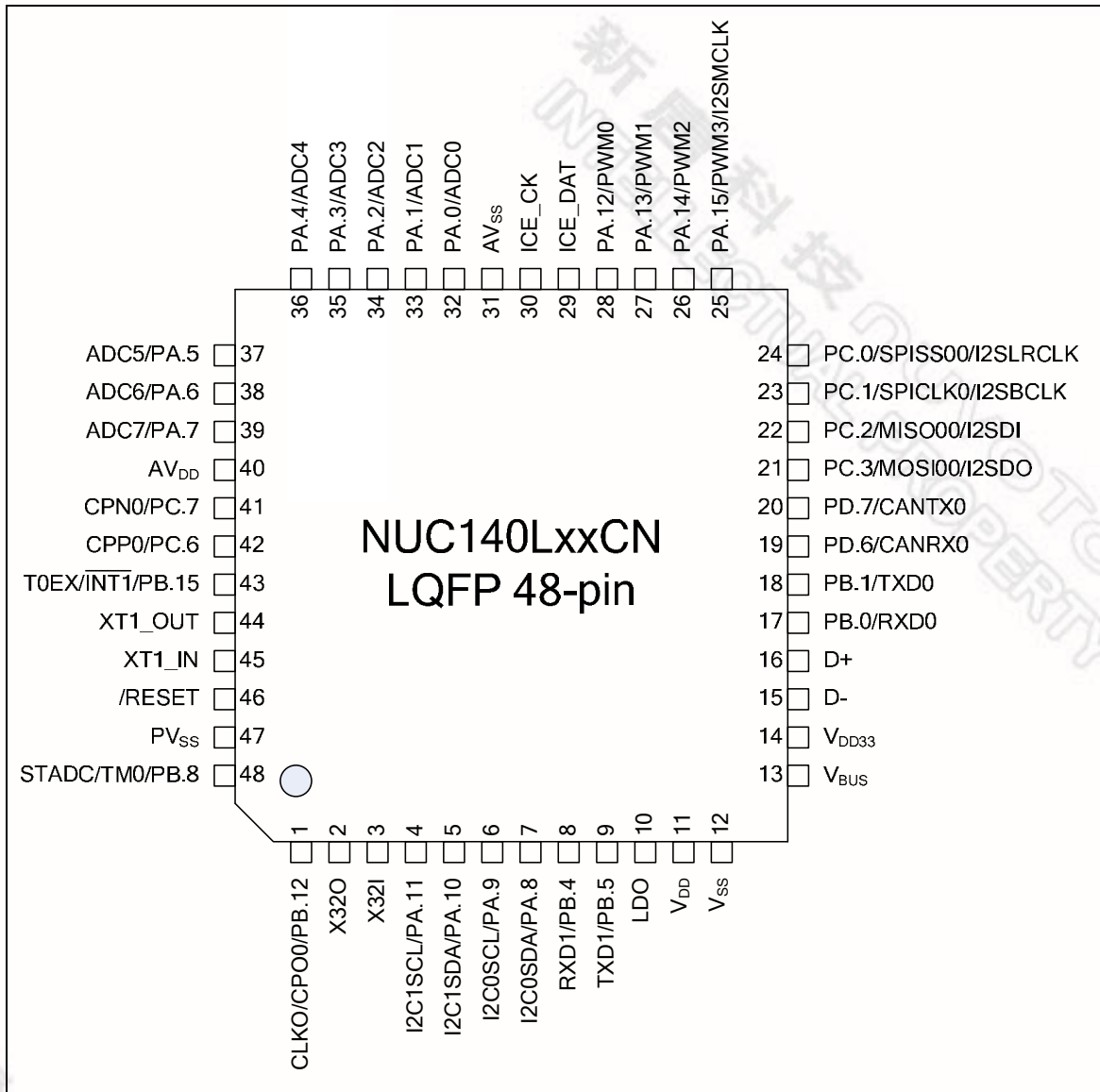


Figure 3-4 NuMicro™ NUC140 LQFP 48-pin Pin Diagram

4 BLOCK DIAGRAM

4.1 NuMicro™ NUC140 Block Diagram

4.1.1 NuMicro™ NUC140 Block Diagram

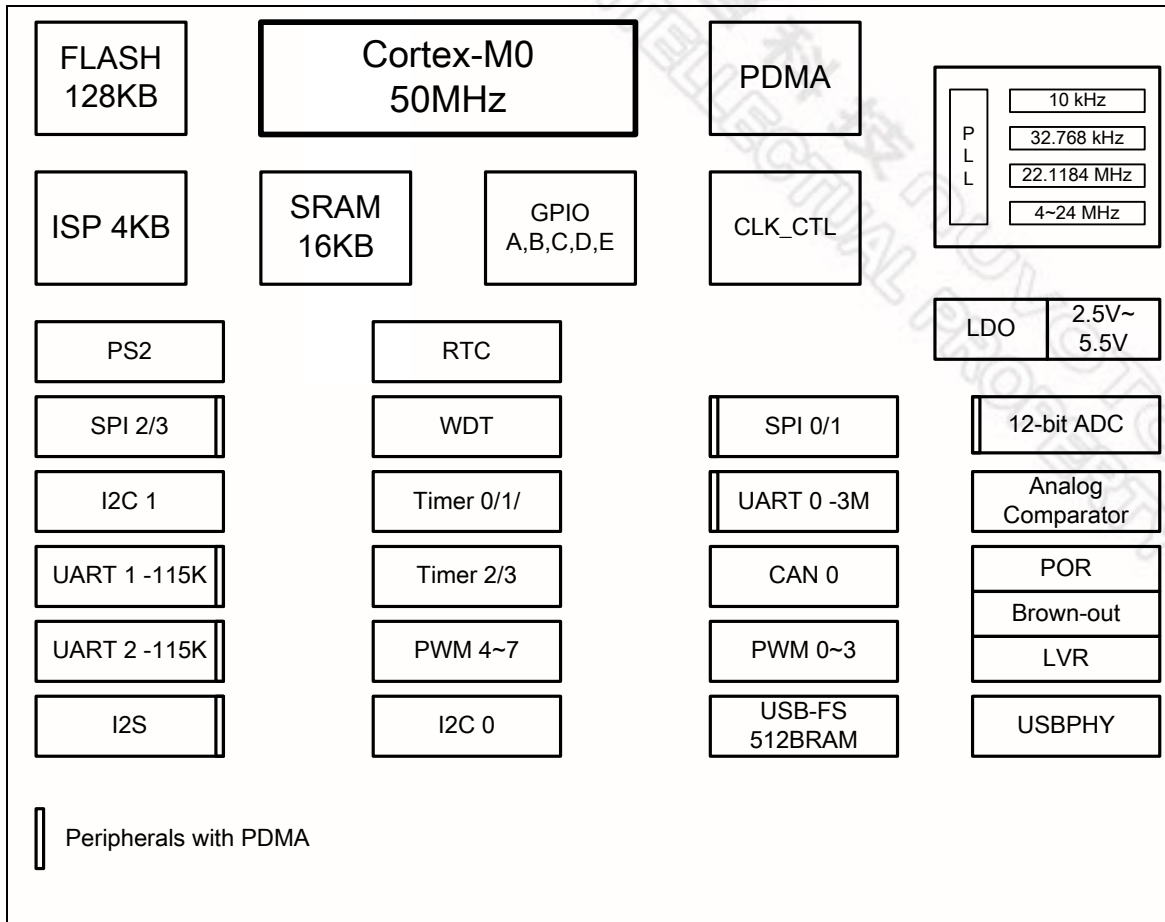


Figure 4-1 NuMicro™ NUC140 Block Diagram

5 FUNCTIONAL DESCRIPTION

5.1 ARM® Cortex™-M0 Core

The Cortex™-M0 processor is a configurable, multistage, 32-bit RISC processor. It has an AMBA AHB-Lite interface and includes an NVIC component. It also has optional hardware debug functionality. The processor can execute Thumb code and is compatible with other Cortex-M profile processor. The profile supports two modes -Thread mode and Handler mode. Handler mode is entered as a result of an exception. An exception return can only be issued in Handler mode. Thread mode is entered on Reset, and can be entered as a result of an exception return. Figure 5-1 shows the functional controller of processor.

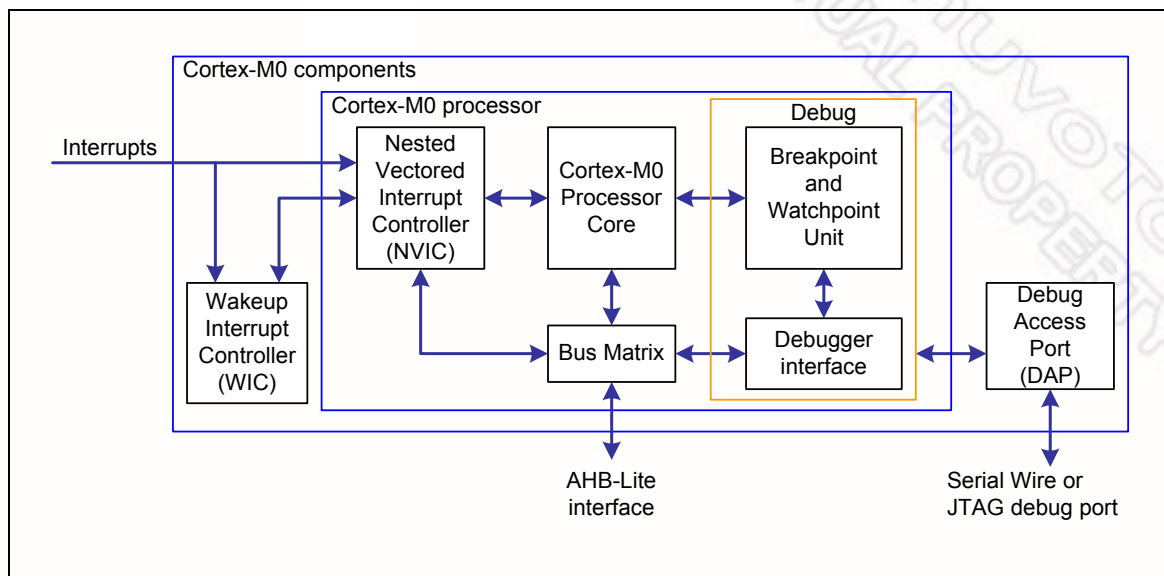


Figure 5-1 Functional Controller Diagram

The implemented device provides:

- A low gate count processor that features:
 - ◆ The ARMv6-M Thumb® instruction set
 - ◆ Thumb-2 technology
 - ◆ ARMv6-M compliant 24-bit SysTick timer
 - ◆ A 32-bit hardware multiplier
 - ◆ The system interface supports little-endian data accesses
 - ◆ The ability to have deterministic, fixed-latency, interrupt handling
 - ◆ Load/store-multiples and multicycle-multiplies that can be abandoned and restarted to facilitate rapid interrupt handling
 - ◆ C Application Binary Interface compliant exception model. This is the ARMv6-M, C Application Binary Interface (C-ABI) compliant exception model that enables the use of pure C functions as interrupt handlers

- ◆ Low power sleep mode entry using Wait For Interrupt (WFI), Wait For Event (WFE) instructions, or the return from interrupt sleep-on-exit feature
- NVIC that features:
 - ◆ 32 external interrupt inputs, each with four levels of priority
 - ◆ Dedicated Non-Maskable Interrupt (NMI) input.
 - ◆ Support for both level-sensitive and pulse-sensitive interrupt lines
 - ◆ Wake-up Interrupt Controller (WIC), providing ultra-low power sleep mode support.
- Debug support
 - ◆ Four hardware breakpoints.
 - ◆ Two watchpoints.
 - ◆ Program Counter Sampling Register (PCSR) for non-intrusive code profiling.
 - ◆ Single step and vector catch capabilities.
- Bus interfaces:
 - ◆ Single 32-bit AMBA-3 AHB-Lite system interface that provides simple integration to all system peripherals and memory.
 - ◆ Single 32-bit slave port that supports the DAP (Debug Access Port).

5.2 System Manager

5.2.1 Overview

System management includes these following sections:

- System Resets
- System Memory Map
- System management registers for Part Number ID, chip reset and on-chip controllers reset , multi-functional pin control
- System Timer (SysTick)
- Nested Vectored Interrupt Controller (NVIC)
- System Control registers

5.2.2 System Reset

The system reset can be issued by one of the below listed events. For these reset event flags can be read by RSTSRC register.

- The Power-On Reset
- The low level on the /RESET pin
- Watchdog Time Out Reset
- Low Voltage Reset
- Brown-Out Detector Reset
- CPU Reset
- System Reset

System Reset and Power-On Reset all reset the whole chip including all peripherals. The difference between System Reset and Power-On Reset is external crystal circuit and ISPCON.BS bit. System Reset doesn't reset external crystal circuit and ISPCON.BS bit, but Power-On Reset does.

5.2.3 System Power Distribution

In this chip, the power distribution is divided into three segments.

- Analog power from AV_{DD} and AV_{SS} provides the power for analog components operation.
- Digital power from V_{DD} and V_{SS} supplies the power to the internal regulator which provides a fixed 2.5 V power for digital operation and I/O pins.
- USB transceiver power from V_{BUS} offers the power for operating the USB transceiver.

The outputs of internal voltage regulators, LDO and V_{DD33} , require an external capacitor which should be located close to the corresponding pin. Analog power (AV_{DD}) should be the same voltage level of the digital power (V_{DD}). Figure 5-2 shows the power distribution of NuMicro™ NUC140.

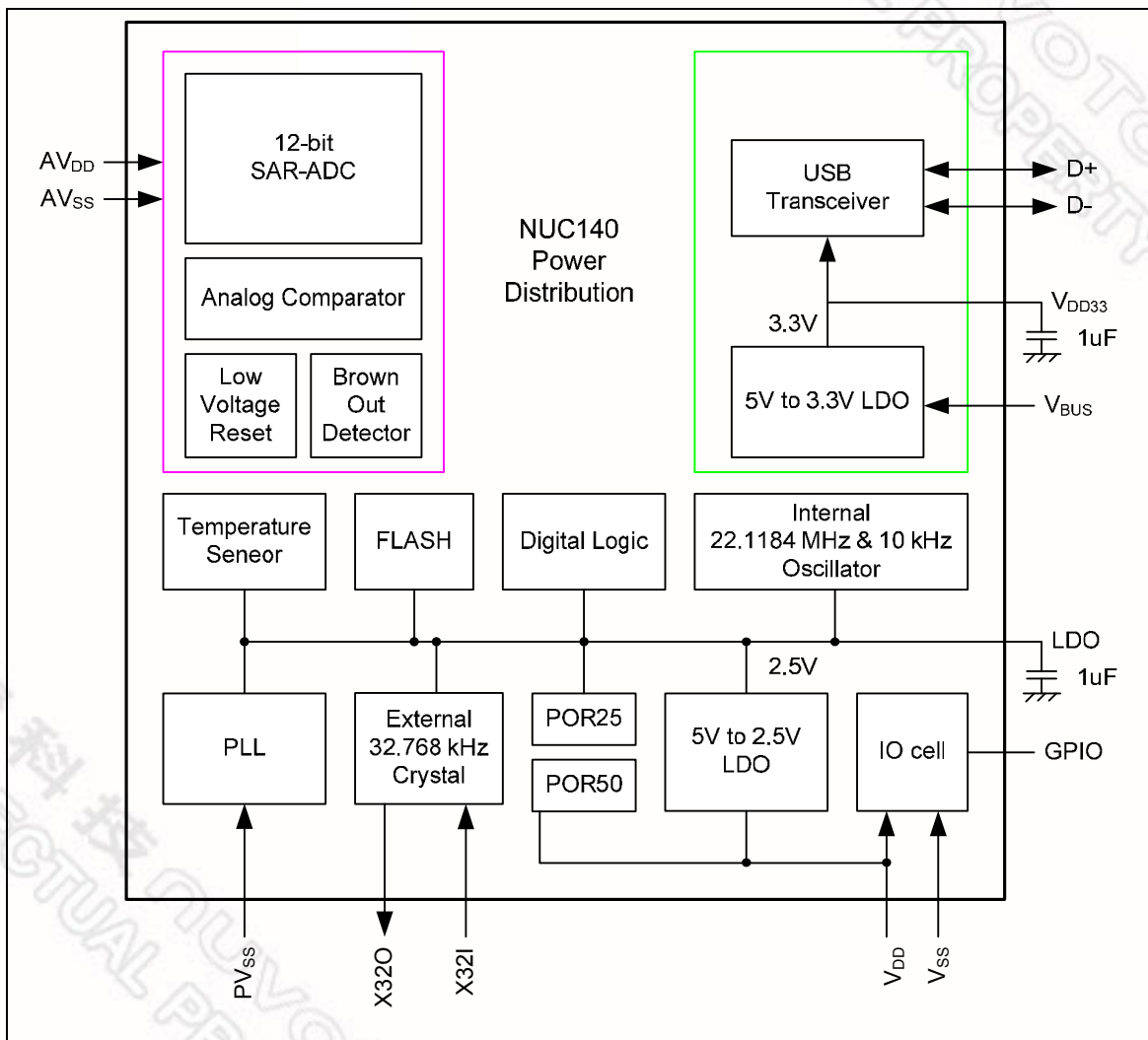


Figure 5-2 NuMicro™ NUC140 Power Distribution Diagram

5.2.4 System Memory Map

NuMicro™ NUC100 Series provides 4G-byte addressing space. The memory locations assigned to each on-chip controllers are shown in the following table. The detailed register definition, memory space, and programming detailed will be described in the following sections for each on-chip peripherals. NuMicro™ NUC100 Series only supports little-endian data format.

Address Space	Token	Controllers
Flash and SRAM Memory Space		
0x0000_0000 – 0x0001_FFFF	FLASH_BA	FLASH Memory Space (128KB)
0x2000_0000 – 0x2000_3FFF	SRAM_BA	SRAM Memory Space (16KB)
0x6000_0000 – 0x6001_FFFF	EXTMEM_BA	External Memory Space (128KB)
AHB Controllers Space (0x5000_0000 – 0x501F_FFFF)		
0x5000_0000 – 0x5000_01FF	GCR_BA	System Global Control Registers
0x5000_0200 – 0x5000_02FF	CLK_BA	Clock Control Registers
0x5000_0300 – 0x5000_03FF	INT_BA	Interrupt Multiplexer Control Registers
0x5000_4000 – 0x5000_7FFF	GPIO_BA	GPIO Control Registers
0x5000_8000 – 0x5000_BFFF	PDMA_BA	Peripheral DMA Control Registers
0x5000_C000 – 0x5000_FFFF	FMC_BA	Flash Memory Control Registers
0x5001_0000 – 0x5001_03FF	EBI_BA	External Bus Interface Control Registers
APB1 Controllers Space (0x4000_0000 ~ 0x400F_FFFF)		
0x4000_4000 – 0x4000_7FFF	WDT_BA	Watchdog Timer Control Registers
0x4000_8000 – 0x4000_BFFF	RTC_BA	Real Time Clock (RTC) Control Register
0x4001_0000 – 0x4001_3FFF	TMR01_BA	Timer0/Timer1 Control Registers
0x4002_0000 – 0x4002_3FFF	I2C0_BA	I ² C0 Interface Control Registers
0x4003_0000 – 0x4003_3FFF	SPI0_BA	SPI0 with master/slave function Control Registers
0x4003_4000 – 0x4003_7FFF	SPI1_BA	SPI1 with master/slave function Control Registers
0x4004_0000 – 0x4004_3FFF	PWMA_BA	PWM0/1/2/3 Control Registers
0x4005_0000 – 0x4005_3FFF	UART0_BA	UART0 Control Registers
0x4006_0000 – 0x4006_3FFF	USBD_BA	USB 2.0 FS device Controller Registers

Address Space	Token	Controllers
0x400D_0000 – 0x400D_3FFF	ACMP_BA	Analog Comparator Control Registers
0x400E_0000 – 0x400E_FFFF	ADC_BA	Analog-Digital-Converter (ADC) Control Registers
APB2 Controllers Space (0x4010_0000 ~ 0x401F_FFFF)		
0x4010_0000 – 0x4010_3FFF	PS2_BA	PS/2 Interface Control Registers
0x4011_0000 – 0x4011_3FFF	TMR23_BA	Timer2/Timer3 Control Registers
0x4012_0000 – 0x4012_3FFF	I2C1_BA	I ² C1 Interface Control Registers
0x4013_0000 – 0x4013_3FFF	SPI2_BA	SPI2 with master/slave function Control Registers
0x4013_4000 – 0x4013_7FFF	SPI3_BA	SPI3 with master/slave function Control Registers
0x4014_0000 – 0x4014_3FFF	PWMB_BA	PWM4/5/6/7 Control Registers
0x4015_0000 – 0x4015_3FFF	UART1_BA	UART1 Control Registers
0x4015_4000 – 0x4015_7FFF	UART2_BA	UART2 Control Registers
0x4018_0000 – 0x4018_3FFF	CAN0_BA	CAN0 Bus Control Registers
0x401A_0000 – 0x401A_3FFF	I2S_BA	I ² S Interface Control Registers
System Controllers Space (0xE000_E000 ~ 0xE000_EFFF)		
0xE000_E010 – 0xE000_E0FF	SCS_BA	System Timer Control Registers
0xE000_E100 – 0xE000_ECFF	SCS_BA	External Interrupt Controller Control Registers
0xE000_ED00 – 0xE000_ED8F	SCS_BA	System Control Registers

Table 5-1 Address Space Assignments for On-Chip Controllers

5.2.5 System Timer (SysTick)

The Cortex-M0 includes an integrated system timer, SysTick. SysTick provides a simple, 24-bit clear-on-write, decrementing, wrap-on-zero counter with a flexible control mechanism. The counter can be used as a Real Time Operating System (RTOS) tick timer or as a simple counter.

When system timer is enabled, it will count down from the value in the SysTick Current Value Register (SYST_CVR) to zero, and reload (wrap) to the value in the SysTick Reload Value Register (SYST_RVR) on the next clock cycle, then decrement on subsequent clocks. When the counter transitions to zero, the COUNTFLAG status bit is set. The COUNTFLAG bit clears on reads.

The SYST_CVR value is UNKNOWN on reset. Software should write to the register to clear it to zero before enabling the feature. This ensures the timer will count from the SYST_RVR value rather than an arbitrary value when it is enabled.

If the SYST_RVR is zero, the timer will be maintained with a current value of zero after it is reloaded with this value. This mechanism can be used to disable the feature independently from the timer enable bit.

For more detailed information, please refer to the documents “ARM® Cortex™-M0 Technical Reference Manual” and “ARM® v6-M Architecture Reference Manual”.

5.2.6 Nested Vectored Interrupt Controller (NVIC)

Cortex-M0 provides an interrupt controller as an integral part of the exception mode, named as “Nested Vectored Interrupt Controller (NVIC)”. It is closely coupled to the processor kernel and provides following features:

- Nested and Vectored interrupt support
- Automatic processor state saving and restoration
- Reduced and deterministic interrupt latency

The NVIC prioritizes and handles all supported exceptions. All exceptions are handled in “Handler Mode”. This NVIC architecture supports 32 (IRQ[31:0]) discrete interrupts with 4 levels of priority. All of the interrupts and most of the system exceptions can be configured to different priority levels. When an interrupt occurs, the NVIC will compare the priority of the new interrupt to the current running one’s priority. If the priority of the new interrupt is higher than the current one, the new interrupt handler will override the current handler.

When any interrupts is accepted, the starting address of the interrupt service routine (ISR) is fetched from a vector table in memory. There is no need to determine which interrupt is accepted and branch to the starting address of the correlated ISR by software. While the starting address is fetched, NVIC will also automatically save processor state including the registers “PC, PSR, LR, R0~R3, R12” to the stack. At the end of the ISR, the NVIC will restore the mentioned registers from stack and resume the normal execution. Thus it will take less and deterministic time to process the interrupt request.

The NVIC supports “Tail Chaining” which handles back-to-back interrupts efficiently without the overhead of states saving and restoration and therefore reduces delay time in switching to pending ISR at the end of current ISR. The NVIC also supports “Late Arrival” which improves the efficiency of concurrent ISRs. When a higher priority interrupt request occurs before the current ISR starts to execute (at the stage of state saving and starting address fetching), the NVIC will give priority to the higher one without delay penalty. Thus it advances the real-time capability.

For more detailed information, please refer to the documents “ARM® Cortex™-M0 Technical Reference Manual” and “ARM® v6-M Architecture Reference Manual”.

5.2.6.1 Exception Model and System Interrupt Map

Table 5-2 lists the exception model supported by NuMicro™ NUC100 Series. Software can set four levels of priority on some of these exceptions as well as on all interrupts. The highest user-configurable priority is denoted as “0” and the lowest priority is denoted as “3”. The default priority of all the user-configurable interrupts is “0”. Note that priority “0” is treated as the fourth priority on the system, after three system exceptions “Reset”, “NMI” and “Hard Fault”.

Exception Name	Vector Number	Priority
Reset	1	-3
NMI	2	-2
Hard Fault	3	-1
Reserved	4 ~ 10	Reserved
SVCAll	11	Configurable
Reserved	12 ~ 13	Reserved
PendSV	14	Configurable
SysTick	15	Configurable
Interrupt (IRQ0 ~ IRQ31)	16 ~ 47	Configurable

Table 5-2 Exception Model

Vector Number	Interrupt Number (Bit in Interrupt Registers)	Interrupt Name	Source IP	Interrupt description
0 ~ 15	-	-	-	System exceptions
16	0	BOD_OUT	Brown-Out	Brown-Out low voltage detected interrupt
17	1	WDT_INT	WDT	Watchdog Timer interrupt
18	2	EINT0	GPIO	External signal interrupt from PB.14 pin
19	3	EINT1	GPIO	External signal interrupt from PB.15 pin
20	4	GPAB_INT	GPIO	External signal interrupt from PA[15:0]/PB[13:0]
21	5	GPCDE_INT	GPIO	External interrupt from PC[15:0]/PD[15:0]/PE[15:0]
22	6	PWMA_INT	PWM0~3	PWM0, PWM1, PWM2 and PWM3 interrupt
23	7	PWMB_INT	PWM4~7	PWM4, PWM5, PWM6 and PWM7 interrupt
24	8	TMR0_INT	TMR0	Timer 0 interrupt
25	9	TMR1_INT	TMR1	Timer 1 interrupt

Vector Number	Interrupt Number (Bit in Interrupt Registers)	Interrupt Name	Source IP	Interrupt description
26	10	TMR2_INT	TMR2	Timer 2 interrupt
27	11	TMR3_INT	TMR3	Timer 3 interrupt
28	12	UART02_INT	UART0/2	UART0 and UART2 interrupt
29	13	UART1_INT	UART1	UART1 interrupt
30	14	SPI0_INT	SPI0	SPI0 interrupt
31	15	SPI1_INT	SPI1	SPI1 interrupt
32	16	SPI2_INT	SPI2	SPI2 interrupt
33	17	SPI3_INT	SPI3	SPI3 interrupt
34	18	I2C0_INT	I ² C0	I ² C0 interrupt
35	19	I2C1_INT	I ² C1	I ² C1 interrupt
36	20	CAN0_INT	CAN0	CAN0 interrupt
37	21	Reserved	Reserved	Reserved
38	22	Reserved	Reserved	Reserved
39	23	USB_INT	USBD	USB 2.0 FS Device interrupt
40	24	PS2_INT	PS/2	PS/2 interrupt
41	25	ACMP_INT	ACMP	Analog Comparator-0 or Comaprator-1 interrupt
42	26	PDMA_INT	PDMA	PDMA interrupt
43	27	I2S_INT	I ² S	I ² S interrupt
44	28	PWRWU_INT	CLKC	Clock controller interrupt for chip wake-up from power down state
45	29	ADC_INT	ADC	ADC interrupt
46	30	Reserved	Reserved	Reserved
47	31	RTC_INT	RTC	Real time clock interrupt

Table 5-3 System Interrupt Map

5.2.6.2 Vector Table

When any interrupts is accepted, the processor will automatically fetch the starting address of the interrupt service routine (ISR) from a vector table in memory. For ARMv6-M, the vector table base address is fixed at 0x00000000. The vector table contains the initialization value for the stack pointer on reset, and the entry point addresses for all exception handlers. The vector number on previous page defines the order of entries in the vector table associated with exception handler entry as illustrated in previous section.

Vector Table Word Offset	Description
0	SP_main – The Main stack pointer
Vector Number	Exception Entry Pointer using that Vector Number

Table 5-4 Vector Table Format

5.2.6.3 Operation Description

NVIC interrupts can be enabled and disabled by writing to their corresponding Interrupt Set-Enable or Interrupt Clear-Enable register bit-field. The registers use a write-1-to-enable and write-1-to-clear policy, both registers reading back the current enabled state of the corresponding interrupts. When an interrupt is disabled, interrupt assertion will cause the interrupt to become Pending, however, the interrupt will not activate. If an interrupt is Active when it is disabled, it remains in its Active state until cleared by reset or an exception return. Clearing the enable bit prevents new activations of the associated interrupt.

NVIC interrupts can be pended/un-pended using a complementary pair of registers to those used to enable/disable the interrupts, named the Set-Pending Register and Clear-Pending Register respectively. The registers use a write-1-to-enable and write-1-to-clear policy, both registers reading back the current pended state of the corresponding interrupts. The Clear-Pending Register has no effect on the execution status of an Active interrupt.

NVIC interrupts are prioritized by updating an 8-bit field within a 32-bit register (each register supporting four interrupts).

The general registers associated with the NVIC are all accessible from a block of memory in the System Control Space and will be described in next section.

5.3 Clock Controller

5.3.1 Overview

The clock controller generates the clocks for the whole chip, including system clocks and all peripheral clocks. The clock controller also implements the power control function with the individually clock ON/OFF control, clock source selection and a clock divider. The chip will not enter power down mode until CPU sets the power down enable bit (PWR_DOWN_EN) and Cortex-M0 core executes the WFI instruction. After that, chip enter power down mode and wait for wake-up interrupt source triggered to leave power down mode. In the power down mode, the clock controller turns off the external 4~24 MHz high speed crystal and internal 22.1184 MHz high speed oscillator to reduce the overall system power consumption.

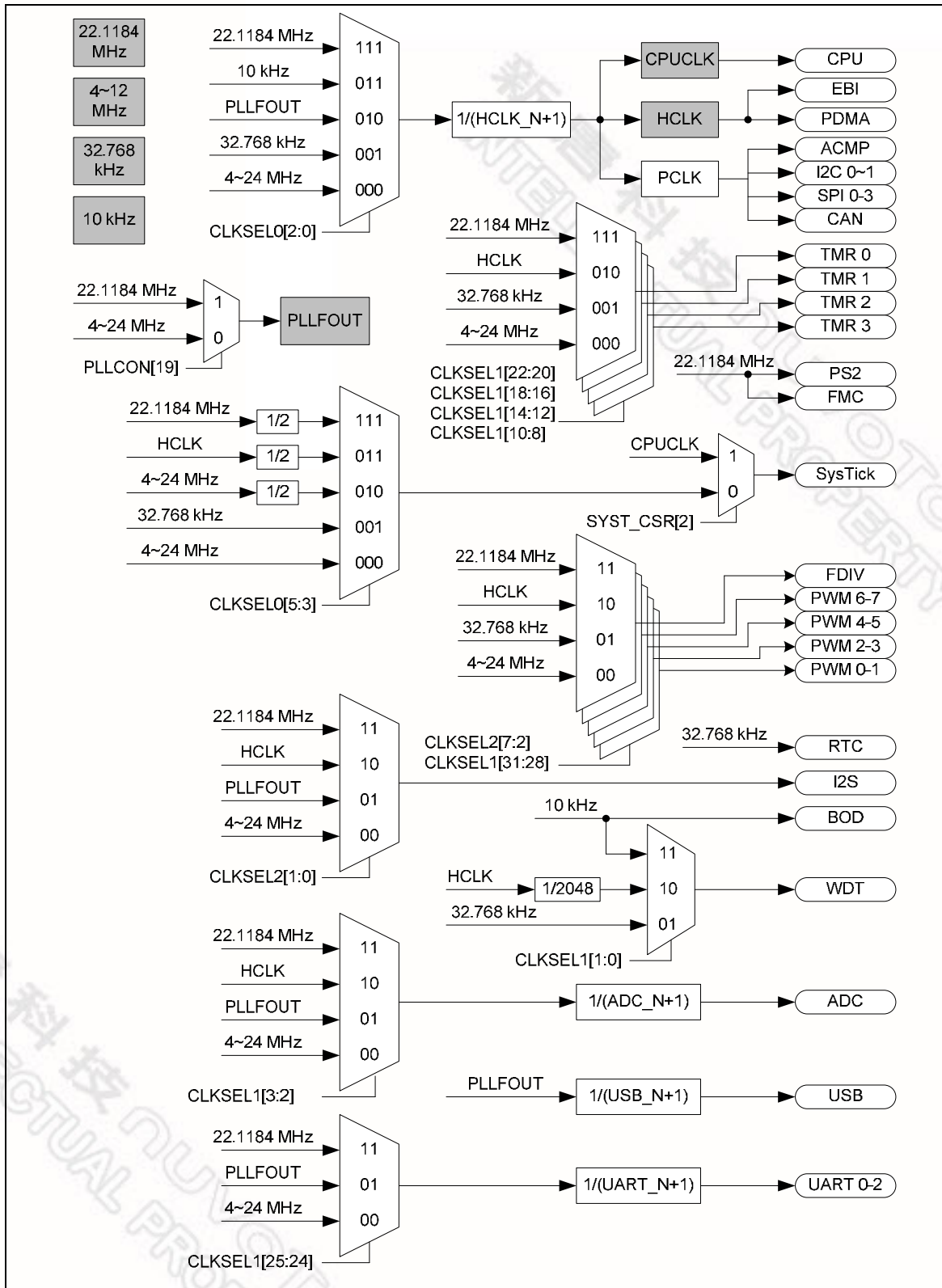


Figure 5-3 Clock generator global view diagram

5.3.2 Clock Generator

The clock generator consists of 5 clock sources which are listed below:

- One external 32.768 kHz low speed crystal
- One external 4~24 MHz high speed crystal
- One programmable PLL FOUT(PLL source consists of external 4~24 MHz high speed crystal and internal 22.1184 MHz high speed oscillator)
- One internal 22.1184 MHz high speed oscillator
- One internal 10 kHz low speed oscillator

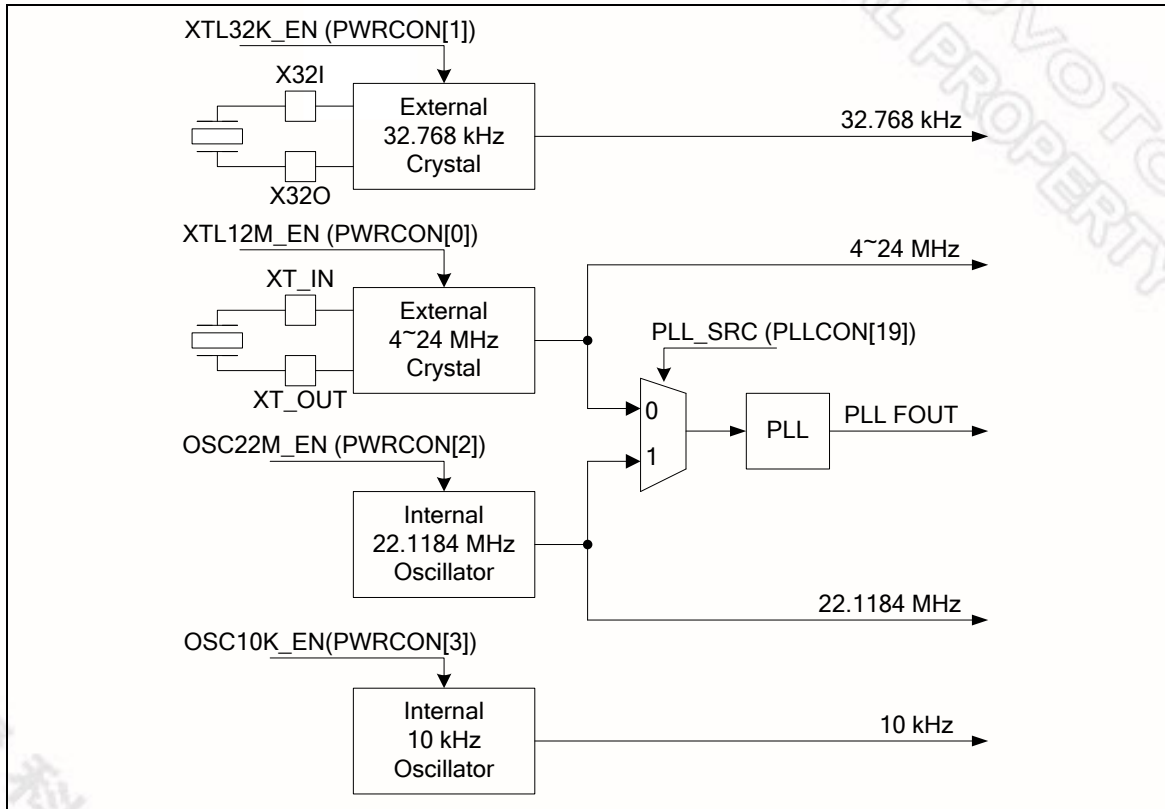


Figure 5-4 Clock generator block diagram

5.3.3 System Clock and SysTick Clock

The system clock has 5 clock sources which were generated from clock generator block. The clock source switch depends on the register HCLK_S (CLKSEL0[2:0]). The block diagram is showed in Figure 5-5.

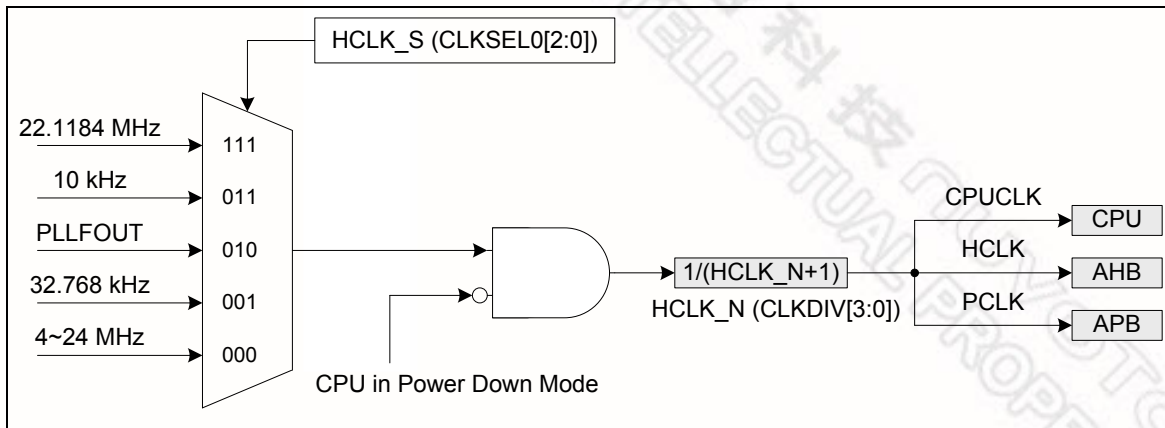


Figure 5-5 System Clock Block Diagram

The clock source of SysTick in Cortex-M0 core can use CPU clock or external clock (SYST_CSR[2]). If using external clock, the SysTick clock (STCLK) has 5 clock sources. The clock source switch depends on the setting of the register STCLK_S (CLKSEL0[5:3]). The block diagram is showed in Figure 5-6.

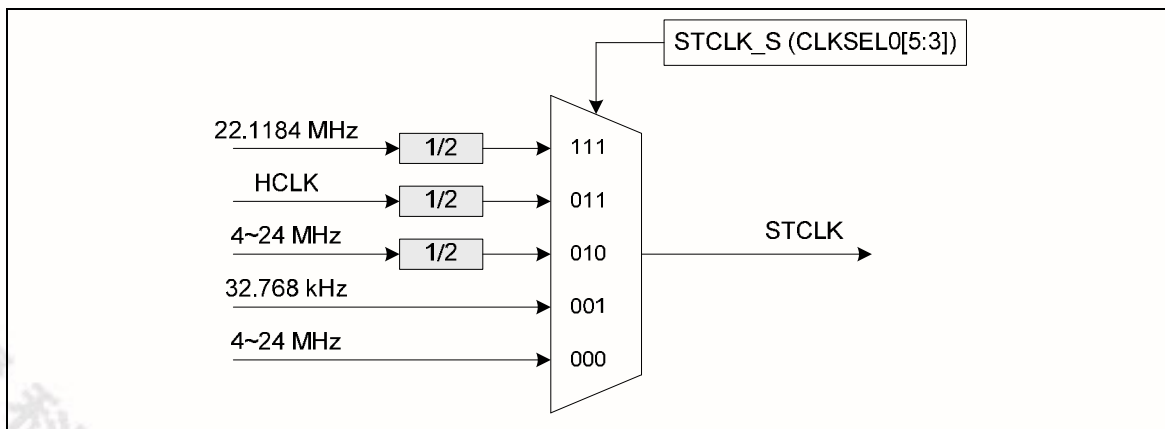


Figure 5-6 SysTick Clock Control Block Diagram

5.3.4 Peripherals Clock

The peripherals clock had different clock source switch setting which depends on the different peripheral. Please refer the CLKSEL1 and CLKSEL2 register description in 5.3.7.

5.3.5 Power Down Mode Clock

When chip enters into power down mode, system clocks, some clock sources, and some peripheral clocks will be disabled. Some clock sources and peripherals clock are still active in power down mode.

For these clocks which still keep active list below:

- Clock Generator
 - ◆ Internal 10 kHz low speed oscillator clock
 - ◆ External 32.768 kHz low speed crystal clock
- Peripherals Clock (When these IP adopt external 32.768 kHz low speed crystal or 10 kHz low speed oscillator as clock source)

5.3.6 Frequency Divider Output

This device is equipped a power-of-2 frequency divider which is composed by 16 chained divide-by-2 shift registers. One of the 16 shift register outputs selected by a sixteen to one multiplexer is reflected to CLKO function pin. Therefore there are 16 options of power-of-2 divided clocks with the frequency from $F_{in}/2^1$ to $F_{in}/2^{16}$ where F_{in} is input clock frequency to the clock divider.

The output formula is $F_{out} = F_{in}/2^{(N+1)}$, where F_{in} is the input clock frequency, F_{out} is the clock divider output frequency and N is the 4-bit value in FSEL (FRQDIV[3:0]).

When write 1 to DIVIDER_EN (FRQDIV[4]), the chained counter starts to count. When write 0 to DIVIDER_EN (FRQDIV[4]), the chained counter continuously runs till divided clock reaches low state and stay in low state.

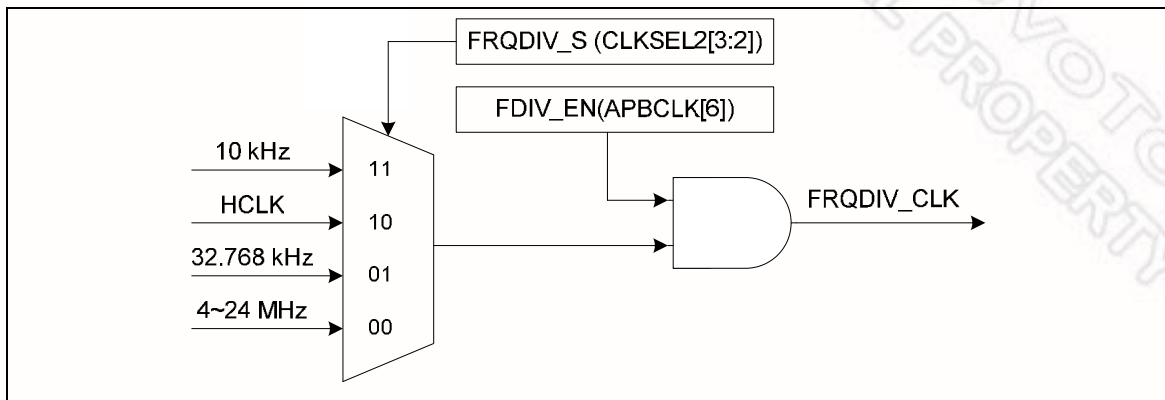


Figure 5-7 Clock Source of Frequency Divider

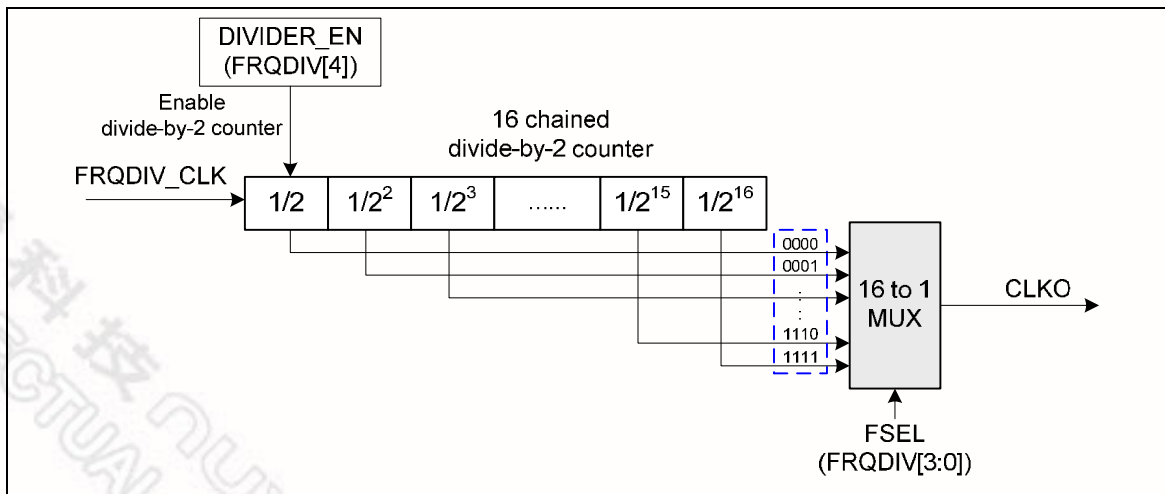


Figure 5-8 Block Diagram of Frequency Divider

5.4 USB Device Controller (USB)

5.4.1 Overview

There is one set of USB 2.0 full-speed device controller and transceiver in this device. It is compliant with USB 2.0 full-speed device specification and support control/bulk/interrupt/isochronous transfer types.

In this device controller, there are two main interfaces: the APB bus and USB bus which comes from the USB PHY transceiver. For the APB bus, the CPU can program control registers through it. There are 512 bytes internal SRAM as data buffer in this controller. For IN or OUT transfer, it is necessary to write data to SRAM or read data from SRAM through the APB interface or SIE. Users need to set the effective starting address of SRAM for each endpoint buffer through “buffer segmentation register (USB_BUFSEGx)”.

There are 6 endpoints in this controller. Each of the endpoint can be configured as IN or OUT endpoint. All the operations including Control, Bulk, Interrupt and Isochronous transfer are implemented in this block. The block of ENDPOINT CONTROL is also used to manage the data sequential synchronization, endpoint states, current start address, transaction status, and data buffer status for each endpoint.

There are four different interrupt events in this controller. They are the wake-up function, device plug-in or plug-out event, USB events, like IN ACK, OUT ACK etc, and BUS events, like suspend and resume, etc. Any event will cause an interrupt, and users just need to check the related event flags in interrupt event status register (USB_INTSTS) to acknowledge what kind of interrupt occurring, and then check the related USB Endpoint Status Register (USB_EPSTS) to acknowledge what kind of event occurring in this endpoint.

A software-disable function is also supported for this USB controller. It is used to simulate the disconnection of this device from the host. If user enables DRVSE0 bit (USB_DRVSE0), the USB controller will force the output of USB_DP and USB_DM to level low and its function is disabled. After disable the DRVSE0 bit, host will enumerate the USB device again.

Reference: Universal Serial Bus Specification Revision 1.1

5.4.2 Features

This Universal Serial Bus (USB) performs a serial interface with a single connector type for attaching all USB peripherals to the host system. Following is the feature listing of this USB.

- Compliant with USB 2.0 Full-Speed specification
- Provide 1 interrupt vector with 4 different interrupt events (WAKEUP, FLDET, USB and BUS)
- Support Control/Bulk/Interrupt/Isochronous transfer type
- Support suspend function when no bus activity existing for 3 ms
- Provide 6 endpoints for configurable Control/Bulk/Interrupt/Isochronous transfer types and maximum 512 bytes buffer size
- Provide remote wake-up capability

5.5 General Purpose I/O (GPIO)

5.5.1 Overview

NuMicro™ NUC130/NUC140 has up to 80 General Purpose I/O pins can be shared with other function pins; it depends on the chip configuration. These 80 pins are arranged in 5 ports named with GPIOA, GPIOB, GPIOC, GPIOD and GPIOE. Each port equips maximum 16 pins. Each one of the 80 pins is independent and has the corresponding register bits to control the pin mode function and data.

The I/O type of each of I/O pins can be configured by software individually as input, output, open-drain or quasi-bidirectional mode. After reset, the I/O type of all pins stay in quasi-bidirectional mode and port data register GPIOx_DOUT[15:0] resets to 0x0000_FFFF. Each I/O pin equips a very weakly individual pull-up resistor which is about 110 K Ω ~300 K Ω for V_{DD} is from 5.0 V to 2.5 V.

5.5.2 Features

- Four I/O modes:
 - ◆ Quasi bi-direction
 - ◆ Push-Pull output
 - ◆ Open-Drain output
 - ◆ Input only with high impedance
- TTL/Schmitt trigger input selectable
- I/O pin can be configured as interrupt source with edge/level setting
- High driver and high sink IO mode support

5.6 I²C Serial Interface Controller (Master/Slave) (I²C)

5.6.1 Overview

I²C is a two-wire, bi-directional serial bus that provides a simple and efficient method of data exchange between devices. The I²C standard is a true multi-master bus including collision detection and arbitration that prevents data corruption if two or more masters attempt to control the bus simultaneously.

Data is transferred between a Master and a Slave synchronously to SCL on the SDA line on a byte-by-byte basis. Each data byte is 8-bit long. There is one SCL clock pulse for each data bit with the MSB being transmitted first. An acknowledge bit follows each transferred byte. Each bit is sampled during the high period of SCL; therefore, the SDA line may be changed only during the low period of SCL and must be held stable during the high period of SCL. A transition on the SDA line while SCL is high is interpreted as a command (START or STOP). Please refer to the Figure 5-9 for more detail I²C BUS Timing.

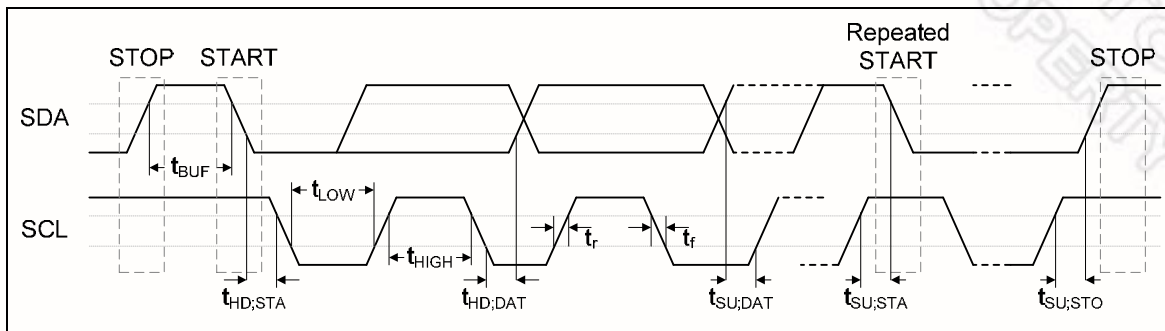


Figure 5-9 I²C Bus Timing

The device's on-chip I²C logic provides the serial interface that meets the I²C bus standard mode specification. The I²C port handles byte transfers autonomously. To enable this port, the bit ENS1 in I2CON should be set to '1'. The I²C H/W interfaces to the I²C bus via two pins: SDA and SCL. Pull up resistor is needed for I²C operation as these are open drain pins. When the I/O pins are used as I²C port, user must set the pins function to I²C in advance.

5.6.2 Features

The I²C bus uses two wires (SDA and SCL) to transfer information between devices connected to the bus. The main features of the bus are:

- Master/Slave mode
- Bidirectional data transfer between masters and slaves
- Multi-master bus (no central master)
- Arbitration between simultaneously transmitting masters without corruption of serial data on the bus
- Serial clock synchronization allows devices with different bit rates to communicate via one serial bus
- Serial clock synchronization can be used as a handshake mechanism to suspend and resume serial transfer
- Built-in a 14-bit time-out counter will request the I²C interrupt if the I²C bus hangs up and timer-out counter overflows.
- External pull-up are needed for high output
- Programmable clocks allow versatile rate control
- Supports 7-bit addressing mode
- I²C-bus controllers support multiple address recognition (Four slave address with mask option)

5.7 PWM Generator and Capture Timer (PWM)

5.7.1 Overview

NuMicro™ NUC130/NUC140 has 2 sets of PWM group supports total 4 sets of PWM Generators which can be configured as 8 independent PWM outputs, PWM0~PWM7, or as 4 complementary PWM pairs, (PWM0, PWM1), (PWM2, PWM3), (PWM4, PWM5) and (PWM6, PWM7) with 4 programmable dead-zone generators.

Each PWM Generator has one 8-bit prescaler, one clock divider with 5 divided frequencies (1, 1/2, 1/4, 1/8, 1/16), two PWM Timers including two clock selectors, two 16-bit PWM down-counters for PWM period control, two 16-bit comparators for PWM duty control and one dead-zone generator. The 4 sets of PWM Generators provide eight independent PWM interrupt flags which are set by hardware when the corresponding PWM period down counter reaches zero. Each PWM interrupt source with its corresponding enable bit can cause CPU to request PWM interrupt. The PWM generators can be configured as one-shot mode to produce only one PWM cycle signal or auto-reload mode to output PWM waveform continuously.

When PCR.DZEN01 is set, PWM0 and PWM1 perform complementary PWM paired function; the paired PWM period, duty and dead-time are determined by PWM0 timer and Dead-zone generator 0. Similarly, the complementary PWM pairs of (PWM2, PWM3), (PWM4, PWM5) and (PWM6, PWM7) are controlled by PWM2, PWM4 and PWM6 timers and Dead-zone generator 2, 4 and 6, respectively.

To prevent PWM driving output pin with unsteady waveform, the 16-bit period down counter and 16-bit comparator are implemented with double buffer. When user writes data to counter/comparator buffer registers the updated value will be load into the 16-bit down counter/comparator at the time down counter reaching zero. The double buffering feature avoids glitch at PWM outputs.

When the 16-bit period down counter reaches zero, the interrupt request is generated. If PWM-timer is set as auto-reload mode, when the down counter reaches zero, it is reloaded with PWM Counter Register (CNRx) automatically then start decreasing, repeatedly. If the PWM-timer is set as one-shot mode, the down counter will stop and generate one interrupt request when it reaches zero.

The value of PWM counter comparator is used for pulse high width modulation. The counter control logic changes the output to high level when down-counter value matches the value of compare register.

The alternate feature of the PWM-timer is digital input Capture function. If Capture function is enabled the PWM output pin is switched as capture input mode. The Capture0 and PWM0 share one timer which is included in PWM0 and the Capture1 and PWM1 share PWM1 timer, and etc. Therefore user must setup the PWM-timer before enable Capture feature. After capture feature is enabled, the capture always latched PWM-counter to Capture Rising Latch Register (CRLR) when input channel has a rising transition and latched PWM-counter to Capture Falling Latch Register (CFLR) when input channel has a falling transition. Capture channel 0 interrupt is programmable by setting CCR0.CRL_IE0[1] (Rising latch Interrupt enable) and CCR0.CFL_IE0[2] (Falling latch Interrupt enable) to decide the condition of interrupt occur. Capture channel 1 has the same feature by setting CCR0.CRL_IE1[17] and CCR0.CFL_IE1[18]. And capture channel 2 to channel 3 on each group have the same feature by setting the corresponding control bits in CCR2. For each group, whenever Capture issues Interrupt 0/1/2/3, the PWM counter 0/1/2/3 will be reload at this moment.

The maximum captured frequency that PWM can capture is confined by the capture interrupt latency. When capture interrupt occurred, software will do at least three steps, they are: Read

PIIR to get interrupt source and Read CRLRx/CFLRx(x=0~3) to get capture value and finally write 1 to clear PIIR to zero. If interrupt latency will take time T0 to finish, the capture signal mustn't transition during this interval (T0). In this case, the maximum capture frequency will be 1/T0. For example:

HCLK = 50 MHz, PWM_CLK = 25 MHz, Interrupt latency is 900 ns

So the maximum capture frequency will be $1/900\text{ns} \approx 1000\text{ kHz}$

5.7.2 Features

5.7.2.1 PWM function features:

- PWM group has two PWM generators. Each PWM generator supports one 8-bit prescaler, one clock divider, two PWM-timers (down counter), one dead-zone generator and two PWM outputs.
- Up to 16-bit resolution
- PWM Interrupt request synchronized with PWM period
- One-shot or Auto-reload mode PWM
- Up to 2 PWM group (PWMA/PWMB) to support 8 PWM channels or 4 PWM paired channels

5.7.2.2 Capture Function Features:

- Timing control logic shared with PWM Generators
- Support 8 Capture input channels shared with 8 PWM output channels
- Each channel supports one rising latch register (CRLR), one falling latch register (CFLR) and Capture interrupt flag (CAPIFx)

5.8 Real Time Clock (RTC)

5.8.1 Overview

Real Time Clock (RTC) controller provides user the real time and calendar message. The clock source of RTC is from an external 32.768 kHz low speed crystal connected at pins X32I and X32O (reference to pin descriptions) or from an external 32.768 kHz low speed oscillator output fed at pin X32I. The RTC controller provides the time message (second, minute, hour) in Time Loading Register (TLR) as well as calendar message (day, month, year) in Calendar Loading Register (CLR). The data message is expressed in BCD format. It also offers alarm function that user can preset the alarm time in Time Alarm Register (TAR) and alarm calendar in Calendar Alarm Register (CAR).

The RTC controller supports periodic Time Tick and Alarm Match interrupts. The periodic interrupt has 8 period options 1/128, 1/64, 1/32, 1/16, 1/8, 1/4, 1/2 and 1 second which are selected by TTR (TTR[2:0]). When RTC counter in TLR and CLR is equal to alarm setting time registers TAR and CAR, the alarm interrupt flag (RIIR.AIF) is set and the alarm interrupt is requested if the alarm interrupt is enabled (RIER.AIER=1). Both RTC Time Tick and Alarm Match can cause chip wake-up from power down mode if wake-up function is enabled (TWKE (TTR[3])=1).

5.8.2 Features

- There is a time counter (second, minute, hour) and calendar counter (day, month, year) for user to check the time
- Alarm register (second, minute, hour, day, month, year)
- 12-hour or 24-hour mode is selectable
- Leap year compensation automatically
- Day of week counter
- Frequency compensate register (FCR)
- All time and calendar message is expressed in BCD code
- Support periodic time tick interrupt with 8 period options 1/128, 1/64, 1/32, 1/16, 1/8, 1/4, 1/2 and 1 second
- Support RTC Time Tick and Alarm Match interrupt
- Support wake-up chip from power down mode

5.9 Serial Peripheral Interface (SPI)

5.9.1 Overview

The Serial Peripheral Interface (SPI) is a synchronous serial data communication protocol which operates in full duplex mode. Devices communicate in master/slave mode with 4-wire bi-direction interface. The NuMicro™ NUC130/NUC140 contains up to four sets of SPI controller performing a serial-to-parallel conversion on data received from a peripheral device, and a parallel-to-serial conversion on data transmitted to a peripheral device. Each set of SPI controller can be set as a master, it also can be configured as a slave device controlled by an off-chip master device.

This controller supports a variable serial clock for special application and it also supports 2-bit transfer mode to connect 2 off-chip slave devices at the same time. The SPI controller also supports PDMA function to access the data buffer.

5.9.2 Features

- Up to four sets of SPI controller
- Support master or slave mode operation
- Support 1-bit or 2-bit transfer mode
- Configurable bit length up to 32-bit of a transfer word and configurable word numbers up to 2 of a transaction, so the maximum bit length is 64-bit for each data transfer
- Provide burst mode operation, transmit/receive can be transferred up to two times word transaction in one transfer
- Support MSB or LSB first transfer
- 2 device/slave select lines in master mode, but 1 device/slave select line in slave mode
- Support byte reorder function
- Support byte or word suspend mode
- Variable output serial clock frequency in master mode
- Support two programmable serial clock frequencies in master mode
- Support two channel PDMA request, one for transmitter and another for receiver
- Support three wire, no slave select signal, bi-direction interface
- The SPI clock rate can be configured to equal the system clock rate

5.10 Timer Controller (TMR)

5.10.1 Overview

The timer controller includes four 32-bit timers, TIMER0~TIMER3, which allows user to easily implement a timer control for applications. The timer can perform functions like frequency measurement, event counting, interval measurement, clock generation, delay timing, and so on. The timer can generate an interrupt signal upon timeout, or provide the current value during operation.

5.10.2 Features

- 4 sets of 32-bit timers with 24-bit up-timer and one 8-bit pre-scale counter
- Independent clock source for each timer
- Provides one-shot, periodic, toggle and continuous counting operation modes
- Time out period = (Period of timer clock input) * (8-bit pre-scale counter + 1) * (24-bit TCMP)
- Maximum counting cycle time = $(1 / T \text{ MHz}) * (2^8) * (2^{24})$, T is the period of timer clock
- 24-bit timer value is readable through TDR (Timer Data Register)
- Support event counting function to count the event from external pin
- Support input capture function to capture or reset counter value

5.11 Watchdog Timer (WDT)

5.11.1 Overview

The purpose of Watchdog Timer is to perform a system reset when system runs into an unknown state. This prevents system from hanging for an infinite period of time. Besides, this Watchdog Timer supports another function to wake-up chip from power down mode. The watchdog timer includes an 18-bit free running counter with programmable time-out intervals. Table 5-5 show the watchdog timeout interval selection and Figure 5-64 shows the timing of watchdog interrupt signal and reset signal.

Setting WTE (WDTCR [7]) enables the watchdog timer and the WDT counter starts counting up. When the counter reaches the selected time-out interval, Watchdog timer interrupt flag WTIF will be set immediately to request a WDT interrupt if the watchdog timer interrupt enable bit WTIE is set, in the meanwhile, a specified delay time ($1024 * T_{WDT}$) follows the time-out event. User must set WTR (WDTCR [0]) (Watchdog timer reset) high to reset the 18-bit WDT counter to avoid chip from Watchdog timer reset before the delay time expires. WTR bit is cleared automatically by hardware after WDT counter is reset. There are eight time-out intervals with specific delay time which are selected by Watchdog timer interval select bits WTIS (WDTCR [10:8]). If the WDT counter has not been cleared after the specific delay time expires, the watchdog timer will set Watchdog Timer Reset Flag (WTRF) high and reset chip. This reset will last 63 WDT clocks (T_{RST}) then chip restarts executing program from reset vector (0x0000_0000). WTRF will not be cleared by Watchdog reset. User may poll WTRF by software to recognize the reset source. WDT also provides wake-up function. When chip is powered down and the Watchdog Timer Wake-up Function Enable bit (WDTR[4]) is set, if the WDT counter reaches the specific time interval defined by WTIS (WDTCR [10:8]), the chip is waken up from power down state. First example, if WTIS is set as 000, the specific time interval for chip to wake up from power down state is $2^4 * T_{WDT}$. When power down command is set by software, then, chip enters power down state. After $2^4 * T_{WDT}$ time is elapsed, chip is waken up from power down state. Second example, if WTIS (WDTCR [10:8]) is set as 111, the specific time interval for chip to wake up from power down state is $2^{18} * T_{WDT}$. If power down command is set by software, then, chip enters power down state. After $2^{18} * T_{WDT}$ time is elapsed, chip is waken up from power down state. Notice if WTRE (WDTCR [1]) is set to 1, after chip is waken up, software should clear the Watchdog Timer counter by setting WTR(WDTCR [0]) to 1 as soon as possible. Otherwise, if the Watchdog Timer counter is not cleared by setting WTR (WDTCR [0]) to 1 before time starting from waking up to software clearing Watchdog Timer counter is over $1024 * T_{WDT}$, the chip is reset by Watchdog Timer.

WTIS	Timeout Interval Selection T_{TIS}	Interrupt Period T_{INT}	WTR Timeout startingInterval (WDT_CLK=10 kHz) MIN. T_{WTR} ~ Max. T_{WTR}
000	$2^4 * T_{WDT}$	$1024 * T_{WDT}$	1.6 ms ~ 104 ms
001	$2^6 * T_{WDT}$	$1024 * T_{WDT}$	6.4 ms ~ 108.8 ms
010	$2^8 * T_{WDT}$	$1024 * T_{WDT}$	25.6 ms ~ 128 ms
011	$2^{10} * T_{WDT}$	$1024 * T_{WDT}$	102.4 ms ~ 204.8 ms
100	$2^{12} * T_{WDT}$	$1024 * T_{WDT}$	409.6 ms ~ 512 ms
101	$2^{14} * T_{WDT}$	$1024 * T_{WDT}$	1.6384 s ~ 1.7408 s
110	$2^{16} * T_{WDT}$	$1024 * T_{WDT}$	6.5536 s ~ 6.656 s
111	$2^{18} * T_{WDT}$	$1024 * T_{WDT}$	26.2144 s ~ 26.3168 s

Table 5-5 Watchdog Timeout Interval Selection

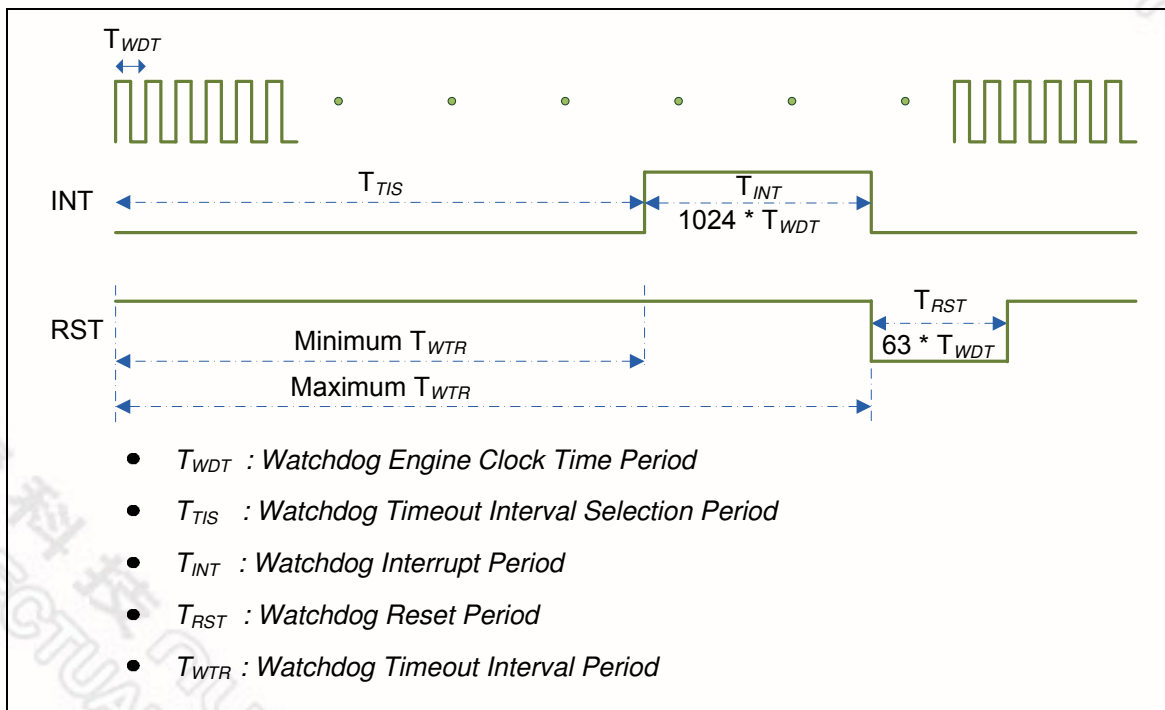


Figure 5-10 Timing of Interrupt and Reset Signal

5.11.2 Features

- 18-bit free running counter to avoid chip from Watchdog timer reset before the delay time expires.
- Selectable time-out interval ($2^4 \sim 2^{18}$) and the time out interval is 104 ms ~ 26.3168 s (if WDT_CLK = 10 kHz).
- Reset period = $(1 / 10 \text{ kHz}) * 63$, if WDT_CLK = 10 kHz.



5.12 UART Interface Controller (UART)

NuMicro™ NUC130/NUC140 provides up to three channels of Universal Asynchronous Receiver/Transmitters (UART). UART0 supports High Speed UART and UART1~2 perform Normal Speed UART, besides, only UART0 and UART1 support flow control function.

5.12.1 Overview

The Universal Asynchronous Receiver/Transmitter (UART) performs a serial-to-parallel conversion on data received from the peripheral, and a parallel-to-serial conversion on data transmitted from the CPU. The UART controller also supports IrDA SIR Function, LIN master/slave mode function and RS-485 mode functions. Each UART channel supports seven types of interrupts including transmitter FIFO empty interrupt (INT_THRE), receiver threshold level reaching interrupt (INT_RDA), line status interrupt (parity error or framing error or break interrupt) (INT_RLS), receiver buffer time out interrupt (INT_TOUT), MODEM/Wake-up status interrupt (INT_MODEM), Buffer error interrupt (INT_BUF_ERR) and LIN receiver break field detected interrupt (INT_LIN_RX_BREAK). Interrupts of UART0 and UART2 share the interrupt number 12 (vector number is 28); Interrupt number 13 (vector number is 29) only supports UART1 interrupt. Refer to Nested Vectored Interrupt Controller chapter for System Interrupt Map.

The UART0 is built-in with a 64-byte transmitter FIFO (TX_FIFO) and a 64-byte receiver FIFO (RX_FIFO) that reduces the number of interrupts presented to the CPU and the UART1~2 are equipped 16-byte transmitter FIFO (TX_FIFO) and 16-byte receiver FIFO (RX_FIFO). The CPU can read the status of the UART at any time during the operation. The reported status information includes the type and condition of the transfer operations being performed by the UART, as well as 4 error conditions (parity error, framing error, break interrupt and buffer error) probably occur while receiving data. The UART includes a programmable baud rate generator that is capable of dividing clock input by divisors to produce the serial clock that transmitter and receiver need. The baud rate equation is $Baud\ Rate = \frac{UART_CLK}{M * [BRD + 2]}$, where M and BRD are defined in Baud Rate Divider Register (UA_BAUD). Table 5-6 lists the equations in the various conditions and Table 5-7 list the UART baud rate setting table.

Mode	DIV_X_EN	DIV_X_ONE	Divider X	BRD	Baud rate equation
0	0	0	B	A	$UART_CLK / [16 * (A+2)]$
1	1	0	B	A	$UART_CLK / [(B+1) * (A+2)]$, B must ≥ 8
2	1	1	Don't care	A	$UART_CLK / (A+2)$, A must ≥ 3

Table 5-6 UART Baud Rate Equation

System clock = internal 22.1184 MHz high speed oscillator						
Baud rate	Mode0		Mode1		Mode2	
	Parameter	Register	Parameter	Register	Parameter	Register
921600	x	x	A=0,B=11	0x2B00_0000	A=22	0x3000_0016
460800	A=1	0x0000_0001	A=1,B=15 A=2,B=11	0x2F00_0001 0x2B00_0002	A=46	0x3000_002E

System clock = internal 22.1184 MHz high speed oscillator						
Baud rate	Mode0		Mode1		Mode2	
	Parameter	Register	Parameter	Register	Parameter	Register
230400	A=4	0x0000_0004	A=4,B=15 A=6,B=11	0x2F00_0004 0x2B00_0006	A=94	0x3000_005E
115200	A=10	0x0000_000A	A=10,B=15 A=14,B=11	0x2F00_000A 0x2B00_000E	A=190	0x3000_00BE
57600	A=22	0x0000_0016	A=22,B=15 A=30,B=11	0x2F00_0016 0x2B00_001E	A=382	0x3000_017E
38400	A=34	0x0000_0022	A=62,B=8 A=46,B=11 A=34,B=15	0x2800_003E 0x2B00_002E 0x2F00_0022	A=574	0x3000_023E
19200	A=70	0x0000_0046	A=126,B=8 A=94,B=11 A=70,B=15	0x2800_007E 0x2B00_005E 0x2F00_0046	A=1150	0x3000_047E
9600	A=142	0x0000_008E	A=254,B=8 A=190,B=11 A=142,B=15	0x2800_00FE 0x2B00_00BE 0x2F00_008E	A=2302	0x3000_08FE
4800	A=286	0x0000_011E	A=510,B=8 A=382,B=11 A=286,B=15	0x2800_01FE 0x2B00_017E 0x2F00_011E	A=4606	0x3000_11FE

Table 5-7 UART Baud Rate Setting Table

The UART0 and UART1 controllers support auto-flow control function that uses two low-level signals, /CTS (clear-to-send) and /RTS (request-to-send), to control the flow of data transfer between the UART and external devices (ex: Modem). When auto-flow is enabled, the UART is not allowed to receive data until the UART asserts /RTS to external device. When the number of bytes in the RX FIFO equals the value of RTS_TRI_LEV (UA_FCR [19:16]), the /RTS is de-asserted. The UART sends data out when UART controller detects /CTS is asserted from external device. If a valid asserted /CTS is not detected the UART controller will not send data out.

The UART controllers also provides Serial IrDA (SIR, Serial Infrared) function (User must set IrDA_EN (UA_FUN_SEL [1]) to enable IrDA function). The SIR specification defines a short-range infrared asynchronous serial transmission mode with one start bit, 8 data bits, and 1 stop bit. The maximum data rate is 115.2 Kbps (half duplex). The IrDA SIR block contains an IrDA SIR Protocol encoder/decoder. The IrDA SIR protocol is half-duplex only. So it cannot transmit and receive data at the same time. The IrDA SIR physical layer specifies a minimum 10ms transfer delay between transmission and reception. This delay feature must be implemented by software.

The alternate function of UART controllers is LIN (Local Interconnect Network) function. The LIN mode is selected by setting the UA_FUN_SEL[1:0] to '01'. In LIN mode, one start bit and 8-bit data format with 1-bit stop bit are required in accordance with the LIN standard.

For NuMicro™ NUC100 Series, another alternate function of UART controllers is RS-485 9-bit mode function, and direction control provided by RTS pin or can program GPIO (PB.2 for RTS0 and PB.6 for RTS1) to implement the function by software. The RS-485 mode is selected by setting the UA_FUN_SEL register to select RS-485 function. The RS-485 driver control is implemented using the RTS control signal from an asynchronous serial port to enable the RS-485 driver. In RS-485 mode, many characteristics of the RX and TX are same as UART.

5.12.2 Features

- Full duplex, asynchronous communications
- Separate receive / transmit 64/16/16 bytes (UART0/UART1/UART2) entry FIFO for data payloads
- Support hardware auto flow control/flow control function (CTS, RTS) and programmable RTS flow control trigger level (UART0 and UART1 support)
- Programmable receiver buffer trigger level
- Support programmable baud-rate generator for each channel individually
- Support CTS wake-up function (UART0 and UART1 support)
- Support 7-bit receiver buffer time out detection function
- UART0/UART1 can be served by the DMA controller
- Programmable transmitting data delay time between the last stop and the next start bit by setting UA_TOR [DLY] register
- Support break error, frame error, parity error and receive / transmit buffer overflow detect function
- Fully programmable serial-interface characteristics
 - Programmable number of data bit, 5-, 6-, 7-, 8-bit character
 - Programmable parity bit, even, odd, no parity or stick parity bit generation and detection
 - Programmable stop bit, 1, 1.5, or 2 stop bit generation
- Support IrDA SIR function mode
 - Support for 3-/16-bit duration for normal mode
- Support LIN function mode
 - Support LIN master/slave mode
 - Support programmable break generation function for transmitter
 - Support break detect function for receiver
- Support RS-485 function mode.
 - Support RS-485 9-bit mode
 - Support hardware or software direct enable control provided by RTS pin

5.13 Controller Area Network (CAN)

5.13.1 Overview

The C_CAN consists of the CAN Core, Message RAM, Message Handler, Control Registers and Module Interface (Refer **Error! Reference source not found.**). The CAN Core performs communication according to the CAN protocol version 2.0 part A and B. The bit rate can be programmed to values up to 1MBit/s. For the connection to the physical layer, additional transceiver hardware is required.

For communication on a CAN network, individual Message Objects are configured. The Message Objects and Identifier Masks for acceptance filtering of received messages are stored in the Message RAM. All functions concerning the handling of messages are implemented in the Message Handler. These functions include acceptance filtering, the transfer of messages between the CAN Core and the Message RAM, and the handling of transmission requests as well as the generation of the module interrupt.

The register set of the C_CAN can be accessed directly by the software through the module interface. These registers are used to control/configure the CAN Core and the Message Handler and to access the Message RAM.

5.13.2 Features

- Supports CAN protocol version 2.0 part A and B.
- Bit rates up to 1 MBit/s.
- 32 Message Objects.
- Each Message Object has its own identifier mask.
- Programmable FIFO mode (concatenation of Message Objects).
- Maskable interrupt.
- Disabled Automatic Re-transmission mode for Time Triggered CAN applications.
- Programmable loop-back mode for self-test operation.
- 16-bit module interfaces to the AMBA APB bus.
- Support wake-up function

5.14 PS/2 Device Controller (PS2D)

5.14.1 Overview

PS/2 device controller provides basic timing control for PS/2 communication. All communication between the device and the host is managed through the CLK and DATA pins. Unlike PS/2 keyboard or mouse device controller, the received/transmit code needs to be translated as meaningful code by firmware. The device controller generates the CLK signal after receiving a request to send, but host has ultimate control over communication. DATA sent from the host to the device is read on the rising edge and DATA sent from device to the host is change after rising edge. A 16 bytes FIFO is used to reduce CPU intervention. S/W can select 1 to 16 bytes for a continuous transmission.

5.14.2 Features

- Host communication inhibit and request to send detection
- Reception frame error detection
- Programmable 1 to 16 bytes transmit buffer to reduce CPU intervention
- Double buffer for data reception
- S/W override bus

5.15 I²S Controller (I²S)

5.15.1 Overview

The I²S controller consists of IIS protocol to interface with external audio CODEC. Two 8 word deep FIFO for read path and write path respectively and is capable of handling 8 ~ 32 bit word sizes. DMA controller handles the data movement between FIFO and memory.

5.15.2 Features

- I²S can operate as either master or slave
- Capable of handling 8-, 16-, 24- and 32-bit word sizes
- Mono and stereo audio data supported
- I²S and MSB justified data format supported
- Two 8 word FIFO data buffers are provided, one for transmit and one for receive
- Generates interrupt requests when buffer levels cross a programmable boundary
- Two DMA requests, one for transmit and one for receive

5.16 Analog-to-Digital Converter (ADC)

5.16.1 Overview

NuMicro™ NUC100 Series contains one 12-bit successive approximation analog-to-digital converters (SAR A/D converter) with 8 input channels. The A/D converter supports three operation modes: single, single-cycle scan and continuous scan mode. The A/D converters can be started by software and external STADC pin.

5.16.2 Features

- Analog input voltage range: $0 \sim V_{REF}$
- 12-bit resolution and 10-bit accuracy is guaranteed
- Up to 8 single-end analog input channels or 4 differential analog input channels
- Maximum ADC clock frequency is 16 MHz
- Up to 700K SPS conversion rate
- Three operating modes
 - Single mode: A/D conversion is performed one time on a specified channel
 - Single-cycle scan mode: A/D conversion is performed one cycle on all specified channels with the sequence from the lowest numbered channel to the highest numbered channel
 - Continuous scan mode: A/D converter continuously performs Single-cycle scan mode until software stops A/D conversion
- An A/D conversion can be started by
 - Software write 1 to ADST bit
 - External pin STADC
- Conversion results are held in data registers for each channel with valid and overrun indicators
- Conversion result can be compared with specify value and user can select whether to generate an interrupt when conversion result is equal to the compare register setting
- Channel 7 supports 3 input sources: external analog voltage, internal bandgap voltage, and internal temperature sensor output
- Support Self-calibration to minimize conversion error

5.17 Analog Comparator (CMP)

5.17.1 Overview

NuMicro™ NUC100 Series contains two comparators. The comparators can be used in a number of different configurations. The comparator output is a logical one when positive input greater than negative input, otherwise the output is a zero. Each comparator can be configured to cause an interrupt when the comparator output value changes. The block diagram is shown in **Error! Reference source not found.**

5.17.2 Features

- Analog input voltage range: 0~5.0 V
- Hysteresis function supported
- Two analog comparators with optional internal reference voltage input at negative end
- One interrupt vector for both comparators

5.18 PDMA Controller (PDMA)

5.18.1 Overview

NuMicro™ NUC130/NUC140 contains a peripheral direct memory access (PDMA) controller that transfers data to and from memory or transfer data to and from APB devices. The PDMA has nine channels of DMA (Peripheral-to-Memory or Memory-to-Peripheral or Memory-to-Memory). For each PDMA channel (PDMA CH0~CH8), there is one word buffer as transfer buffer between the Peripherals APB devices and Memory.

Software can stop the PDMA operation by disable PDMA [PDMACEN]. The CPU can recognize the completion of a PDMA operation by software polling or when it receives an internal PDMA interrupt. The PDMA controller can increase source or destination address or fixed them as well.

Notice: The partial of NuMicro™ NUC130/NUC140 only has 1 PDMA channel (channel 0).

5.18.2 Features

- Support nine DMA channels. Each channel can support a unidirectional transfer
- AMBA AHB master/slave interface compatible, for data transfer and register read/write
- Support source and destination address increased mode or fixed mode
- Hardware channel priority. DMA channel 0 has the highest priority and channel 8 has the lowest priority

5.19 External Bus Interface (EBI)

5.19.1 Overview

The NuMicro™ NUC130/NUC140 LQFP-64 and LQFP-100 package equips an external bus interface (EBI) for external device used.

To save the connections between external device and this chip, EBI support address bus and data bus multiplex mode. And, address latch enable (ALE) signal supported differentiate the address and data cycle.

5.19.2 Features

External Bus Interface has the following functions:

- External devices with max. 64K-byte size (8-bit data width)/128K-byte (16-bit data width) supported
- Variable external bus base clock (MCLK) supported
- 8-bit or 16-bit data width supported
- Variable data access time (tACC), address latch enable time (tALE) and address hold time (tAHD) supported
- Address bus and data bus multiplex mode supported to save the address pins
- Configurable idle cycle supported for different access condition: Write command finish (W2X), Read-to-Read (R2R)

6 FLASH MEMORY CONTROLLER (FMC)

6.1 Overview

NuMicro™ NUC100 Series equips with 128/64/32K bytes on chip embedded Flash for application program memory (APROM) that can be updated through ISP procedure. In System Programming (ISP) function enables user to update program memory when chip is soldered on PCB. After chip power on, Cortex-M0 CPU fetches code from APROM or LDROM decided by boot select (CBS) in Config0. By the way, NuMicro™ NUC100 Series also provides additional DATA Flash for user, to store some application dependent data before chip power off. For 128K bytes APROM device, the data flash is shared with original 128K program memory and its start address is configurable and defined by user application request in Config1. For 64K/32K bytes APROM device, the data flash is fixed at 4K.

6.2 Features

- Run up to 50 MHz with zero wait state for continuous address read access
- 128/64/32KB application program memory (APROM)
- 4KB in system programming (ISP) loader program memory (LDROM)
- Configurable or fixed 4KB data flash with 512 bytes page erase unit
- Programmable data flash start address for 128K APROM device
- In System Program (ISP) to update on chip Flash

7 ELECTRICAL CHARACTERISTICS

7.1 Absolute Maximum Ratings

PARAMETER	SYMBOL	MIN.	MAX	UNIT
DC Power Supply	$V_{DD}-V_{SS}$	-0.3	+7.0	V
Input Voltage	V_{IN}	$V_{SS}-0.3$	$V_{DD}+0.3$	V
Oscillator Frequency	$1/t_{CLCL}$	4	24	MHz
Operating Temperature	TA	-40	+85	°C
Storage Temperature	TST	-55	+150	°C
Maximum Current into V_{DD}		-	120	mA
Maximum Current out of V_{SS}			120	mA
Maximum Current sunk by a I/O pin			35	mA
Maximum Current sourced by a I/O pin			35	mA
Maximum Current sunk by total I/O pins			100	mA
Maximum Current sourced by total I/O pins			100	mA

Note: Exposure to conditions beyond those listed under absolute maximum ratings may adversely affects the lift and reliability of the device.



7.2 DC Electrical Characteristics

7.2.1 NuMicro™ NUC130/NUC140 DC Electrical Characteristics

($V_{DD}-V_{SS}=3.3$ V, $T_A = 25^\circ\text{C}$, FOSC = 50 MHz unless otherwise specified.)

PARAMETER	SYM.	SPECIFICATION				TEST CONDITIONS
		MIN.	TYP.	MAX.	UNIT	
Operation voltage	V_{DD}	2.5		5.5	V	$V_{DD} = 2.5$ V ~ 5.5 V up to 50 MHz
Power Ground	V_{SS} AV_{SS}	-0.3			V	
LDO Output Voltage	V_{LDO}	-10%	2.5	+10%	V	$V_{DD} > 2.7$ V
Analog Operating Voltage	AV_{DD}	0		V_{DD}	V	
Analog Reference Voltage	Vref	0		AV_{DD}	V	
Operating Current Normal Run Mode @ 50 MHz	I_{DD1}		51		mA	$V_{DD} = 5.5$ V@50 MHz, enable all IP and PLL, XTAL=12 MHz
	I_{DD2}		25		mA	$V_{DD} = 5.5$ V@50 MHz, disable all IP and enable PLL, XTAL=12 MHz
	I_{DD3}		48		mA	$V_{DD} = 3$ V@50 MHz, enable all IP and PLL, XTAL=12 MHz
	I_{DD4}		23		mA	$V_{DD} = 3$ V@50 MHz, disable all IP and enable PLL, XTAL=12 MHz
Operating Current Normal Run Mode @ 12 MHz	I_{DD5}		19		mA	$V_{DD} = 5.5$ V@12 MHz, enable all IP and disable PLL, XTAL=12 MHz
	I_{DD6}		7		mA	$V_{DD} = 5.5$ V@12 MHz, disable all IP and disable PLL, XTAL=12 MHz
	I_{DD7}		17		mA	$V_{DD} = 3$ V@12 MHz, enable all IP and disable PLL, XTAL=12 MHz

PARAMETER	SYM.	SPECIFICATION				TEST CONDITIONS
		MIN.	TYP.	MAX.	UNIT	
	I _{DD8}		6		mA	V _{DD} = 3 V@12 MHz, disable all IP and disable PLL, XTAL=12 MHz
Operating Current Normal Run Mode @ 4 MHz	I _{DD9}		11		mA	V _{DD} = 5 V@4 MHz, enable all IP and disable PLL, XTAL=4 MHz
	I _{DD10}		3		mA	V _{DD} = 5 V@4 MHz, disable all IP and disable PLL, XTAL=4 MHz
	I _{DD11}		10		mA	V _{DD} = 3 V@4 MHz, enable all IP and disable PLL, XTAL=4 MHz
	I _{DD12}		2.5		mA	V _{DD} = 3 V@4 MHz, disable all IP and disable PLL, XTAL=4 MHz
Operating Current Idle Mode @ 50 MHz	I _{IDLE1}		35		mA	V _{DD} = 5.5 V@50 MHz, enable all IP and PLL, XTAL=12 MHz
	I _{IDLE2}		15		mA	V _{DD} = 5.5 V@50 MHz, disable all IP and enable PLL, XTAL=12 MHz
	I _{IDLE3}		33		mA	V _{DD} = 3 V@50 MHz, enable all IP and PLL, XTAL=12 MHz
	I _{IDLE4}		13		mA	V _{DD} = 3 V@50 MHz, disable all IP and enable PLL, XTAL=12 MHz
Operating Current Idle Mode @ 12 MHz	I _{IDLE5}		10		mA	V _{DD} = 5.5 V@12 MHz, enable all IP and disable PLL, XTAL=12 MHz
	I _{IDLE6}		4.5		mA	V _{DD} = 5.5 V@12 MHz, disable all IP and disable PLL, XTAL=12 MHz
	I _{IDLE7}		9		mA	V _{DD} = 3 V@12 MHz, enable all IP and disable PLL, XTAL=12 MHz

PARAMETER	SYM.	SPECIFICATION				TEST CONDITIONS
		MIN.	TYP.	MAX.	UNIT	
	I _{IDLE8}		3.5		mA	V _{DD} = 3 V@12 MHz, disable all IP and disable PLL, XTAL=12 MHz
Operating Current Idle Mode @ 4 MHz	I _{IDLE9}		4		mA	V _{DD} = 5 V@4 MHz, enable all IP and disable PLL, XTAL=4 MHz
	I _{IDLE10}		2.5		mA	V _{DD} = 5 V@4 MHz, disable all IP and disable PLL, XTAL=4 MHz
	I _{IDLE11}		3.5		mA	V _{DD} = 3 V@4 MHz, enable all IP and disable PLL, XTAL=4 MHz
	I _{IDLE12}		1.5		mA	V _{DD} = 3 V@4 MHz, disable all IP and disable PLL, XTAL=4 MHz
Standby Current Power down Mode	I _{PWD1}		12		μA	V _{DD} = 5.5 V, RTC OFF, No load @ Disable BOV function
	I _{PWD2}		9		μA	V _{DD} = 3.3 V, RTC OFF, No load @ Disable BOV function
	I _{PWD3}				μA	V _{DD} = 5.5 V, RTC run , No load @ Disable BOV function
	I _{PWD4}				μA	V _{DD} = 3.3 V, RTC run , No load @ Disable BOV function
Input Current PA, PB, PC, PD, PE (Quasi-bidirectional mode)	I _{IN1}		-50	-60	μA	V _{DD} = 5.5 V, V _{IN} = 0 V or V _{IN} =V _{DD}
Input Current at /RESET ^[1]	I _{IN2}	-55	-45	-30	μA	V _{DD} = 3.3 V, V _{IN} = 0.45 V
Input Leakage Current PA, PB, PC, PD, PE	I _{LK}	-2	-	+2	μA	V _{DD} = 5.5 V, 0<V _{IN} <V _{DD}
Logic 1 to 0 Transition Current PA~PE (Quasi-bidirectional mode)	I _{TL} ^[3]	-650	-	-200	μA	V _{DD} = 5.5 V, V _{IN} <2.0 V
Input Low Voltage PA, PB, PC, PD, PE (TTL input)	V _{IL1}	-0.3	-	0.8	V	V _{DD} = 4.5 V
		-0.3	-	0.6		V _{DD} = 2.5 V
Input High Voltage PA, PB, PC, PD, PE (TTL input)	V _{IH1}	2.0	-	V _{DD} +0.2	V	V _{DD} = 5.5 V
		1.5	-	V _{DD} +0.2		V _{DD} = 3.0 V
Input Low Voltage PA, PB, PC, PD, PE (Schmitt input)	V _{IL2}	-0.5	-	0.3 V _{DD}	V	

PARAMETER	SYM.	SPECIFICATION				TEST CONDITIONS
		MIN.	TYP.	MAX.	UNIT	
Input High Voltage PA, PB, PC, PD, PE (Schmitt input)	V _{IH2}	0.7 V _{DD}	-	V _{DD} +0.5	V	
Hysteresis voltage of PA~PE (Schmitt input)	V _{HY}		0.2 V _{DD}		V	
Input Low Voltage XT1 ^[*2]	V _{IL3}	0	-	0.8	V	V _{DD} = 4.5 V
		0	-	0.4		V _{DD} = 3.0 V
Input High Voltage XT1 ^[*2]	V _{IH3}	3.5	-	V _{DD} +0.2	V	V _{DD} = 5.5 V
		2.4	-	V _{DD} +0.2		V _{DD} = 3.0 V
Input Low Voltage X32I ^[*2]	V _{IL4}	0	-	0.4	v	
Input High Voltage X32I ^[*2]	V _{IH4}	1.7		2.5	V	
Negative going threshold (Schmitt input), /RESET	V _{ILS}	-0.5	-	0.3 V _{DD}	V	
Positive going threshold (Schmitt input), /RESET	V _{IHS}	0.7 V _{DD}	-	V _{DD} +0.5	V	
Source Current PA, PB, PC, PD, PE (Quasi-bidirectional Mode)	I _{SR11}	-300	-370	-450	μA	V _{DD} = 4.5 V, V _S = 2.4 V
	I _{SR12}	-50	-70	-90	μA	V _{DD} = 2.7 V, V _S = 2.2 V
	I _{SR13}	-40	-60	-80	μA	V _{DD} = 2.5 V, V _S = 2.0 V
Source Current PA, PB, PC, PD, PE (Push-pull Mode)	I _{SR21}	-20	-24	-28	mA	V _{DD} = 4.5 V, V _S = 2.4 V
	I _{SR22}	-4	-6	-8	mA	V _{DD} = 2.7 V, V _S = 2.2 V
	I _{SR23}	-3	-5	-7	mA	V _{DD} = 2.5 V, V _S = 2.0 V
Sink Current PA, PB, PC, PD, PE (Quasi-bidirectional and Push-pull Mode)	I _{SK11}	10	16	20	mA	V _{DD} = 4.5 V, V _S = 0.45 V
	I _{SK12}	7	10	13	mA	V _{DD} = 2.7 V, V _S = 0.45 V
	I _{SK13}	6	9	12	mA	V _{DD} = 2.5 V, V _S = 0.45 V
Brown-Out voltage with BOV_VL [1:0] =00b	V _{BO2.2}	2.1	2.2	2.3	V	
Brown-Out voltage with BOV_VL [1:0] =01b	V _{BO2.7}	2.6	2.7	2.8	V	
Brown-Out voltage with BOV_VL [1:0] =10b	V _{BO3.8}	3.6	3.8	4.0	V	
Brown-Out voltage with BOV_VL [1:0] =11b	V _{BO4.5}	4.3	4.5	4.7	V	
Hysteresis range of BOD voltage	V _{BH}	30	-	150	mV	V _{DD} = 2.5 V~5.5 V



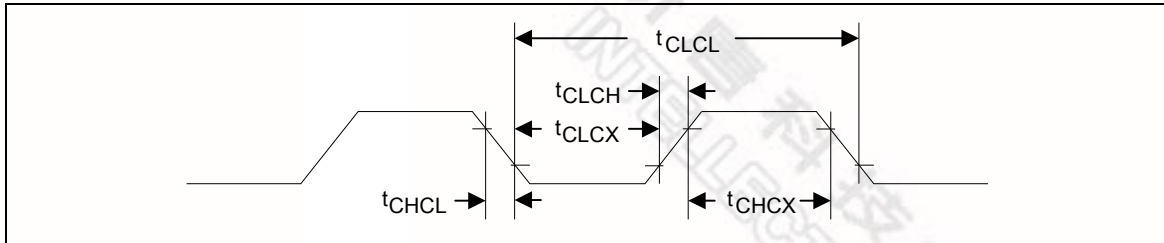
PARAMETER	SYM.	SPECIFICATION				TEST CONDITIONS
		MIN.	TYP.	MAX.	UNIT	
Bandgap voltage	V _{BG}	1.20	1.26	1.32	V	V _{DD} = 2.5 V~5.5 V

Note:

1. /RESET pin is a Schmitt trigger input.
2. Crystal Input is a CMOS input.
3. Pins of PA, PB, PC, PD and PE can source a transition current when they are being externally driven from 1 to 0. In the condition of V_{DD}=5.5 V, the transition current reaches its maximum value when V_{IN} approximates to 2 V.

7.3 AC Electrical Characteristics

7.3.1 External 4~24 MHz High Speed Oscillator



Note: Duty cycle is 50%.

SYMBOL	PARAMETER	CONDITION	MIN.	TYP.	MAX.	UNIT
t _{CHCX}	Clock High Time		20	-	-	nS
t _{CLCX}	Clock Low Time		20	-	-	nS
t _{CLCH}	Clock Rise Time		-	-	10	nS
t _{CHCL}	Clock Fall Time		-	-	10	nS

7.3.2 External 4~24 MHz High Speed Crystal

PARAMETER	CONDITION	MIN.	TYP.	MAX.	UNIT
Input clock frequency	External crystal	4	12	24	MHz
Temperature	-	-40	-	85	°C
V _{DD}	-	2.5	5	5.5	V
Operating current	12 MHz@ V _{DD} = 5V	-	1	-	mA

7.3.2.1 Typical Crystal Application Circuits

CRYSTAL	C1	C2	R
4 MHz ~ 24 MHz	without	without	without

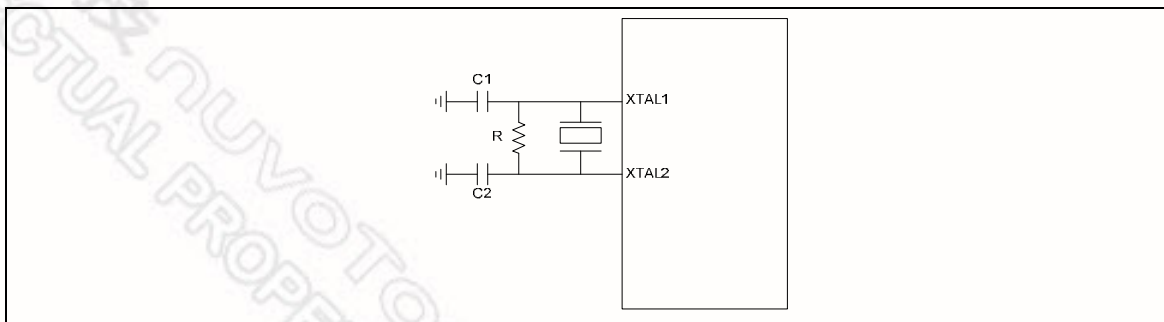


Figure 7-1 Typical Crystal Application Circuit

7.3.3 External 32.768 kHz Low Speed Crystal

PARAMETER	CONDITION	MIN.	TYP.	MAX.	UNIT
Input clock frequency	External crystal	-	32.768	-	kHz
Temperature	-	-40	-	85	°C
V _{DD}	-	2.5	-	5.5	V

7.3.4 Internal 22.1184 MHz High Speed Oscillator

PARAMETER	CONDITION	MIN.	TYP.	MAX.	UNIT
Supply voltage ^[1]	-	2.5	-	5.5	V
Center Frequency	-	-	22.1184	-	MHz
Calibrated Internal Oscillator Frequency	+25°C; V _{DD} =5 V	-1	-	+1	%
	-40°C~+85°C; V _{DD} =2.5 V~5.5 V	-3	-	+3	%
Operation Current	V _{DD} =5 V	-	500	-	uA

7.3.5 Internal 10 kHz Low Speed Oscillator

PARAMETER	CONDITION	MIN.	TYP.	MAX.	UNIT
Supply voltage ^[1]	-	2.5	-	5.5	V
Center Frequency	-	-	10	-	kHz
Calibrated Internal Oscillator Frequency	+25°C; V _{DD} =5 V	-30	-	+30	%
	-40°C~+85°C; V _{DD} =2.5 V~5.5 V	-50	-	+50	%

Note: Internal operation voltage comes from LDO.

7.4 Analog Characteristics

7.4.1 Specification of 12-bit SARADC

SYMBOL	PARAMETER	MIN.	TYP.	MAX.	UNIT
-	Resolution	-	-	12	Bit
DNL	Differential nonlinearity error	-	±3	-	LSB
INL	Integral nonlinearity error	-	±4	-	LSB
EO	Offset error	-	±1	10	LSB
EG	Gain error (Transfer gain)	-	1	1.005	-
-	Monotonic	Guaranteed			
FADC	ADC clock frequency (AV _{DD} =5V/3V)	-	-	16/8	MHz
FS	Sample rate	-	-	700	K SPS
V _{DDA}	Supply voltage	3	-	5.5	V
I _{DD}	Supply current (Avg.)	-	0.5	-	mA
I _{DDA}		-	1.5	-	mA
V _{REF}	Reference voltage	-	V _{DDA}	-	V
I _{REF}	Reference current (Avg.)	-	1	-	mA
V _{IN}	Input voltage	0	-	V _{REF}	V

7.4.2 Specification of LDO and Power management

PARAMETER	MIN.	TYP.	MAX.	UNIT	NOTE
Input Voltage	2.7	5	5.5	V	V _{DD} input voltage
Output Voltage	-10%	2.5	+10%	V	V _{DD} > 2.7 V
Temperature	-40	25	85	°C	
Cbp	-	1	-	uF	Resr=1ohm

Note:

1. It is recommended that a 10uF or higher capacitor and a 100nF bypass capacitor are connected between V_{DD} and the closest V_{SS} pin of the device.

2. For ensuring power stability, a 1uF or higher capacitor must be connected between LDO pin and the closest V_{SS} pin of the device.

7.4.3 Specification of Low Voltage Reset

PARAMETER	CONDITION	MIN.	TYP.	MAX.	UNIT
Operation voltage	-	1.7	-	5.5	V
Quiescent current	V _{DD} =5.5 V	-	-	5	μA
Temperature	-	-40	25	85	°C
Threshold voltage	Temperature=25°C	1.7	2.0	2.3	V
	Temperature=-40°C	-	2.4	-	V
	Temperature=85°C	-	1.6	-	V
Hysteresis	-	0	0	0	V

7.4.4 Specification of Brown-Out Detector

PARAMETER	CONDITION	MIN.	TYP.	MAX.	UNIT
Operation voltage	-	2.5	-	5.5	V
Quiescent current	AV _{DD} =5.5 V	-	-	125	μA
Temperature	-	-40	25	85	°C
Brown-out voltage	BOV_VL[1:0]=11	4.3	4.5	4.7	V
	BOV_VL [1:0]=10	3.6	3.8	4.0	V
	BOV_VL [1:0]=01	2.6	2.7	2.8	V
	BOV_VL [1:0]=00	2.1	2.2	2.3	V
Hysteresis	-	30	-	150	mV

7.4.5 Specification of Power-On Reset (5 V)

PARAMETER	CONDITION	MIN.	TYP.	MAX.	UNIT
Temperature	-	-40	25	85	°C
Reset voltage	V+	-	2	-	V
Quiescent current	V _{in} >reset voltage	-	1	-	nA

7.4.6 Specification of Temperature Sensor

PARAMETER	CONDITIONS	MIN.	TYP.	MAX.	UNIT
Supply voltage ^[1]		2.5	-	5.5	V
Temperature		-40	-	125	°C
Current consumption		6.4	-	10.5	uA
Gain			-1.76		mV/°C
Offset	Temp=0 °C		720		mV

Note: Internal operation voltage comes from LDO.

7.4.7 Specification of Comparator

PARAMETER	CONDITION	MIN.	TYP.	MAX.	UNIT
Temperature	-	-40	25	85	°C
V _{DD}	-	2.4	3	5.5	V
V _{DD} current	20 uA@V _{DD} =3 V	-	20	40	uA
Input offset voltage	-	-	5	15	mV
Output swing	-	0.1	-	V _{DD} -0.1	V
Input common mode range	-	0.1	-	V _{DD} -1.2	V
DC gain	-	-	70	-	dB
Propagation delay	@V _{CM} =1.2 V and V _{DIFF} =0.1 V	-	200	-	ns
Comparison voltage	20 mV@V _{CM} =1 V 50 mV@V _{CM} =0.1 V 50 mV@V _{CM} =V _{DD} -1.2 @10 mV for non-hysteresis	10	20	-	mV
Hysteresis	One bit control W/O and W. hysteresis @V _{CM} =0.4 V ~ V _{DD} -1.2 V	-	±10	-	mV
Wake-up time	@C _{INP} =1.3 V C _{INN} =1.2 V	-	-	2	us

7.4.8 Specification of USB PHY

7.4.8.1 USB DC Electrical Characteristics

SYMBOL	PARAMETER	CONDITIONS	MIN.	TYP.	MAX.	UNIT
V _{IH}	Input high (driven)		2.0			V
V _{IL}	Input low				0.8	V
V _{DI}	Differential input sensitivity	PADP-PADM	0.2			V
V _{CM}	Differential common-mode range	Includes V _{DI} range	0.8		2.5	V
V _{SE}	Single-ended receiver threshold		0.8		2.0	V
	Receiver hysteresis			200		mV
V _{OL}	Output low (driven)		0		0.3	V
V _{OH}	Output high (driven)		2.8		3.6	V
V _{CRS}	Output signal cross voltage		1.3		2.0	V
R _{PU}	Pull-up resistor		1.425		1.575	kΩ
V _{TRM}	Termination Voltage for upstream port pull up (RPU)		3.0		3.6	V
Z _{DRV}	Driver output resistance	Steady state drive*		10		Ω
C _{IN}	Transceiver capacitance	Pin to GND			20	pF

*Driver output resistance doesn't include series resistor resistance.

7.4.8.2 USB Full-Speed Driver Electrical Characteristics

SYMBOL	PARAMETER	CONDITIONS	MIN.	TYP.	MAX.	UNIT
T _{FR}	Rise Time	C _L =50p	4		20	ns
T _{FF}	Fall Time	C _L =50p	4		20	ns
T _{FRFF}	Rise and fall time matching	T _{FRFF} =T _{FR} /T _{FF}	90		111.11	%

7.4.8.3 USB Power Dissipation

SYMBOL	PARAMETER	CONDITIONS	MIN.	TYP.	MAX.	UNIT
I _{VDDREG} (Full Speed)	V _{DD} and V _{DDREG} Supply Current (Steady State)	Standby		50		uA
		Input mode				uA
		Output mode				uA

7.5 Flash DC Electrical Characteristics

SYMBOL	PARAMETER	CONDITIONS	MIN.	TYP.	MAX.	UNIT
N _{Endu}	Endurance		10000			cycles ^[1]
T _{ret}	Retention time	Temp=25 °C	100			year
T _{erase}	Page erase time		20		40	ms
T _{mass}	Mass erase time		40	50	60	ms
T _{prog}	Program time		35	40	55	us
V _{dd}	Supply voltage		2.25	2.5	2.75	V ^[2]
I _{dd1}	Read current				14	mA
I _{dd2}	Program/Erase current				7	mA
I _{pd}	Power down current				10	uA

1. Number of program/erase cycles.
2. V_{dd} is source from chip LDO output voltage.
3. This table is guaranteed by design, not test in production.

7.6 SPI Dynamic Characteristics

SYMBOL	PARAMETER	MIN.	TYP.	MAX.	UNIT
SPI master mode ($V_{DD} = 4.5V \sim 5.5V$, 30pF loading Capacitor)					
t_{DS}	Data setup time	4	2	-	ns
t_{DH}	Data hold time	0	-	-	ns
t_V	Data output valid time	-	7	11	ns
SPI master mode ($V_{DD} = 3.0V \sim 3.6V$, 30pF loading Capacitor)					
t_{DS}	Data setup time	5	3	-	ns
t_{DH}	Data hold time	0	-	-	ns
t_V	Data output valid time	-	13	18	ns
SPI slave mode ($V_{DD} = 4.5V \sim 5.5V$, 30pF loading Capacitor)					
t_{DS}	Data setup time	0	-	-	ns
t_{DH}	Data hold time	$2 \cdot PCLK + 4$	-	-	ns
t_V	Data output valid time	-	$2 \cdot PCLK + 11$	$2 \cdot PCLK + 19$	ns
SPI slave mode ($V_{DD} = 3.0V \sim 3.6V$, 30pF loading Capacitor)					
t_{DS}	Data setup time	0	-	-	ns
t_{DH}	Data hold time	$2 \cdot PCLK + 6$	-	-	ns
t_V	Data output valid time	-	$2 \cdot PCLK + 19$	$2 \cdot PCLK + 25$	ns

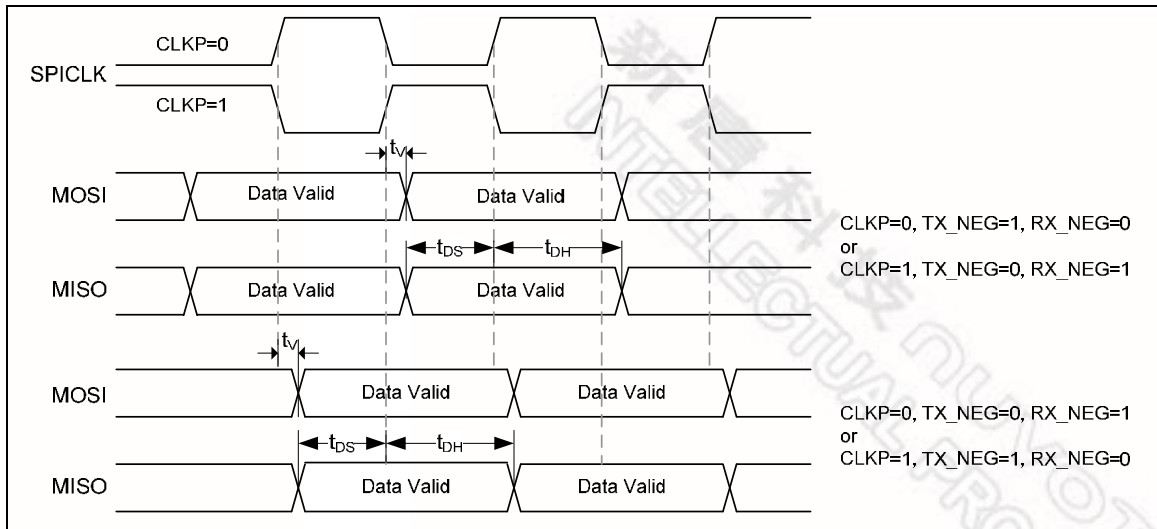


Figure 7-2 SPI Master dynamic characteristics timing

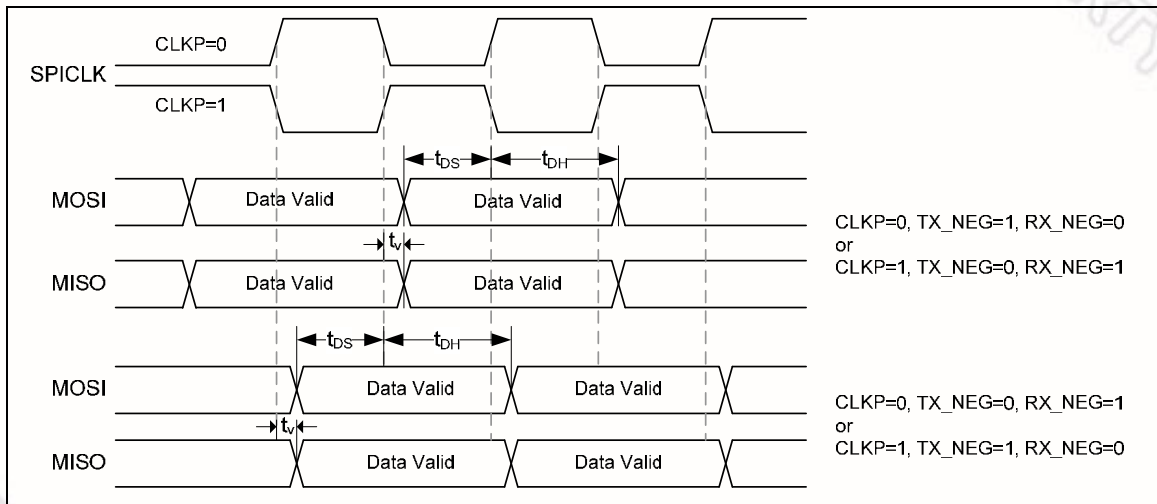
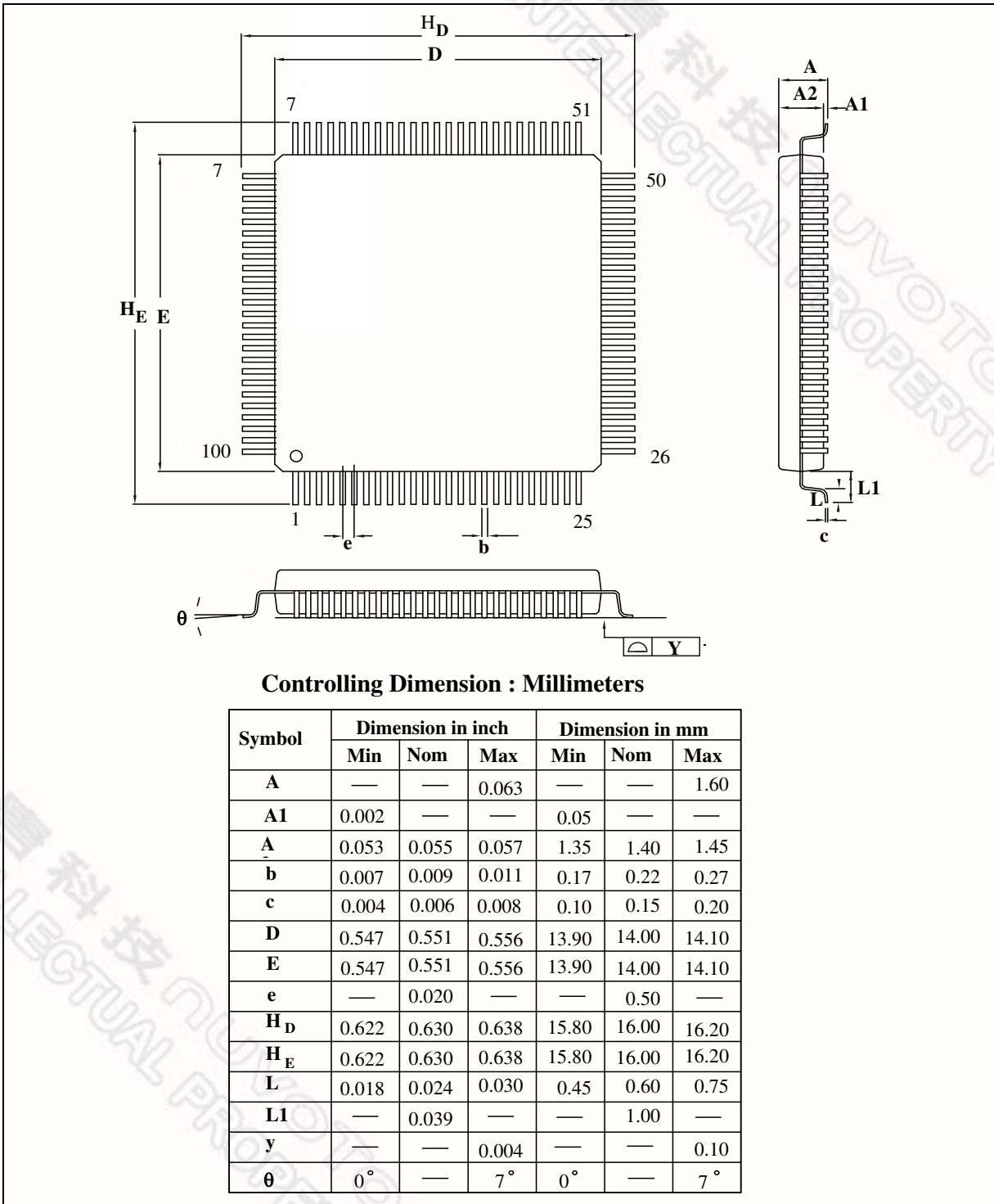


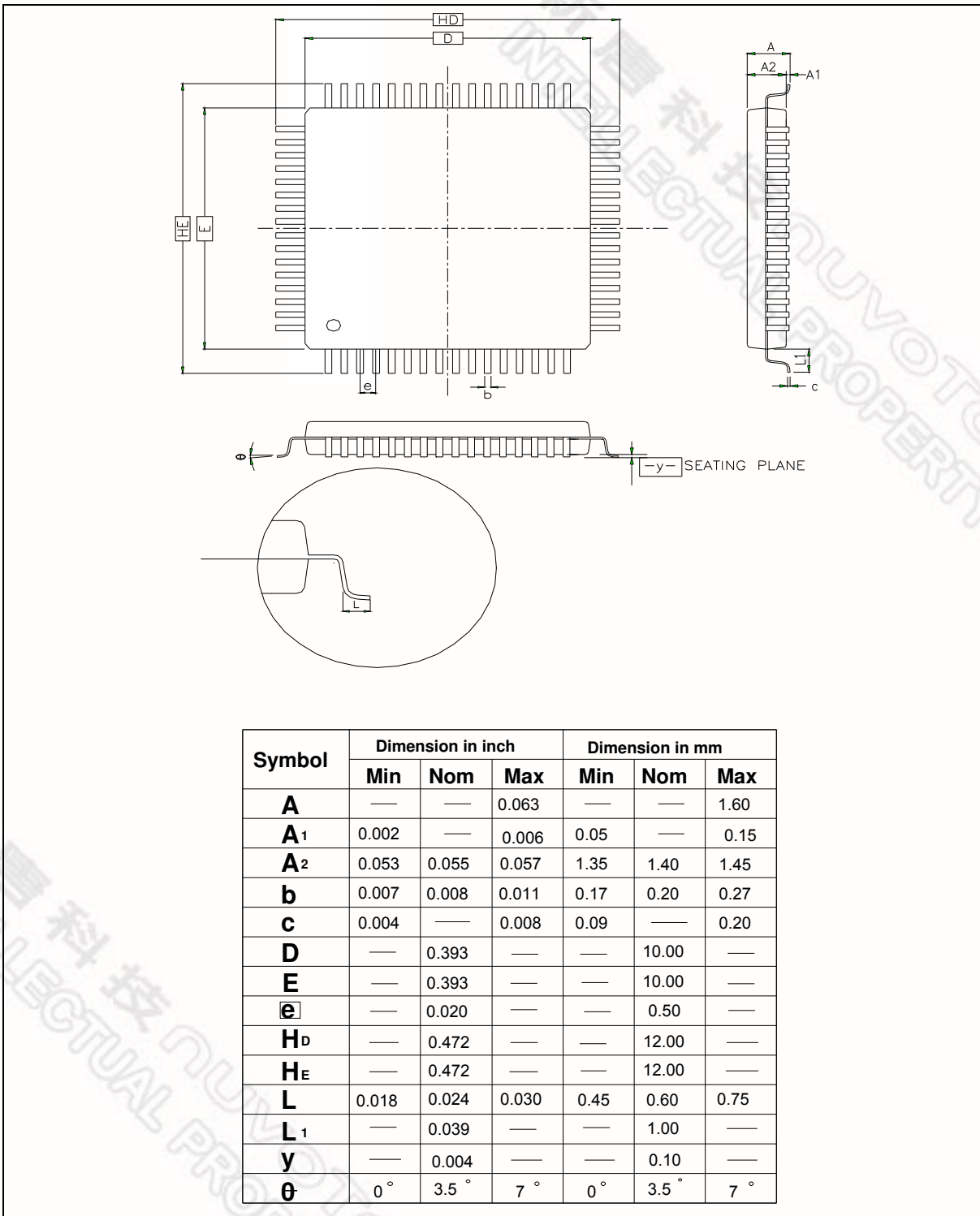
Figure 7-3 SPI Slave dynamic characteristics timing

8 PACKAGE DIMENSIONS

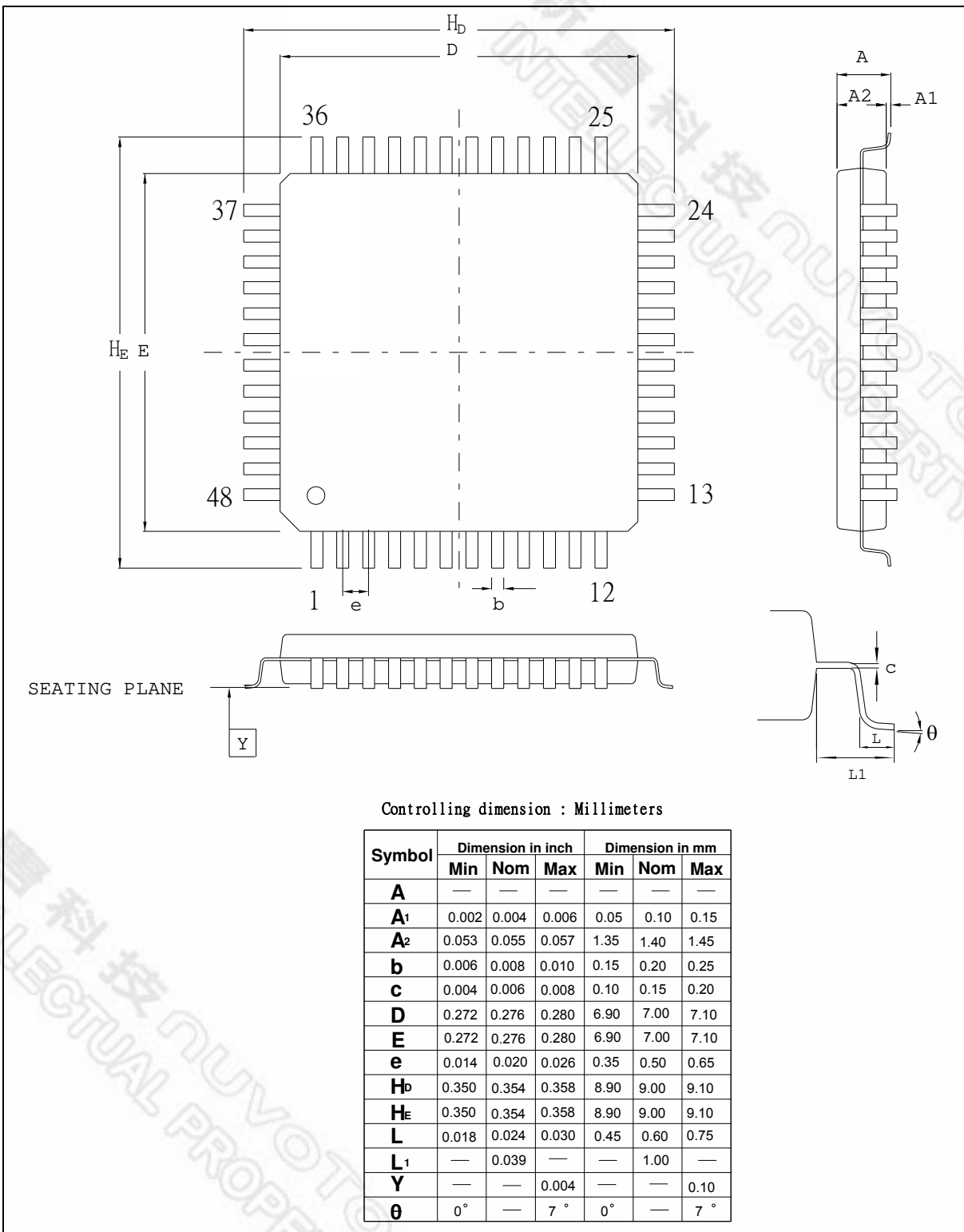
8.1 100L LQFP (14x14x1.4 mm footprint 2.0mm)



8.2 64L LQFP (10x10x1.4mm footprint 2.0 mm)



8.3 48L LQFP (7x7x1.4mm footprint 2.0mm)



9 REVISION HISTORY

VERSION	DATE	PAGE/ CHAP.	DESCRIPTION
V1.00	March 1, 2010	-	Preliminary version initial issued
V1.01	April 9, 2010	Ch4	Modify the block diagram
V1.02	May 31, 2010	7.2	Add operation current of DC characteristics
V1.03	Aug. 23, 2010	7.2	Modify operation current of DC characteristics
V2.00	Nov. 11, 2010	-	Update low density and selection table
V3.00	May 6, 2011	All	Revise from NUC140XXXAN or NUC140XXXBN to NUC140XXXCN Revise NUC140 selection guide Revise Functional Description Revise DC Electrical Characteristics
V3.01	June 22, 2011	-	modify temperature sensor spec Revise Pin description position for multi-function T2EX, T3EX, nRD, nWR update title of SPI Dynamic Characteristics update BOD spec
V3.02	Jan. 2, 2012	-	1. Remove feature "Dynamic priority changing" for NVIC 2. Modify ADC analog characteristic spec 3. Remove SPI FIFO mode

Important Notice

Nuvoton Products are neither intended nor warranted for usage in systems or equipment, any malfunction or failure of which may cause loss of human life, bodily injury or severe property damage. Such applications are deemed, "Insecure Usage".

Insecure usage includes, but is not limited to: equipment for surgical implementation, atomic energy control instruments, airplane or spaceship instruments, the control or operation of dynamic, brake or safety systems designed for vehicular use, traffic signal instruments, all types of safety devices, and other applications intended to support or sustain life.

All Insecure Usage shall be made at customer's risk, and in the event that third parties lay claims to Nuvoton as a result of customer's Insecure Usage, customer shall indemnify the damages and liabilities thus incurred by Nuvoton.

Please note that all data and specifications are subject to change without notice.
All the trademarks of products and companies mentioned in this datasheet belong to their respective owners.