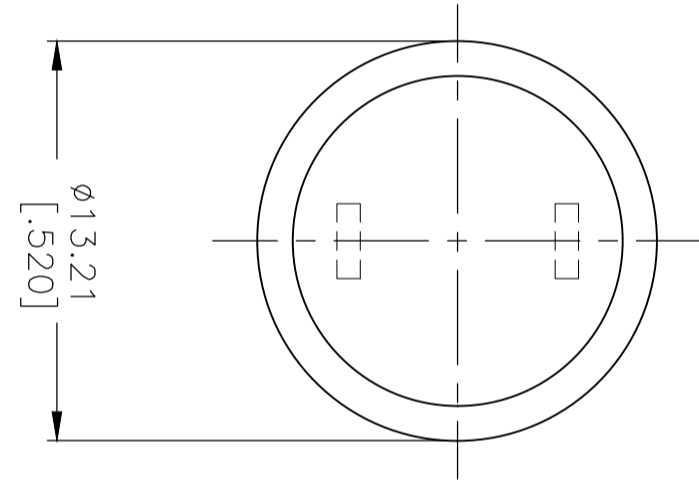
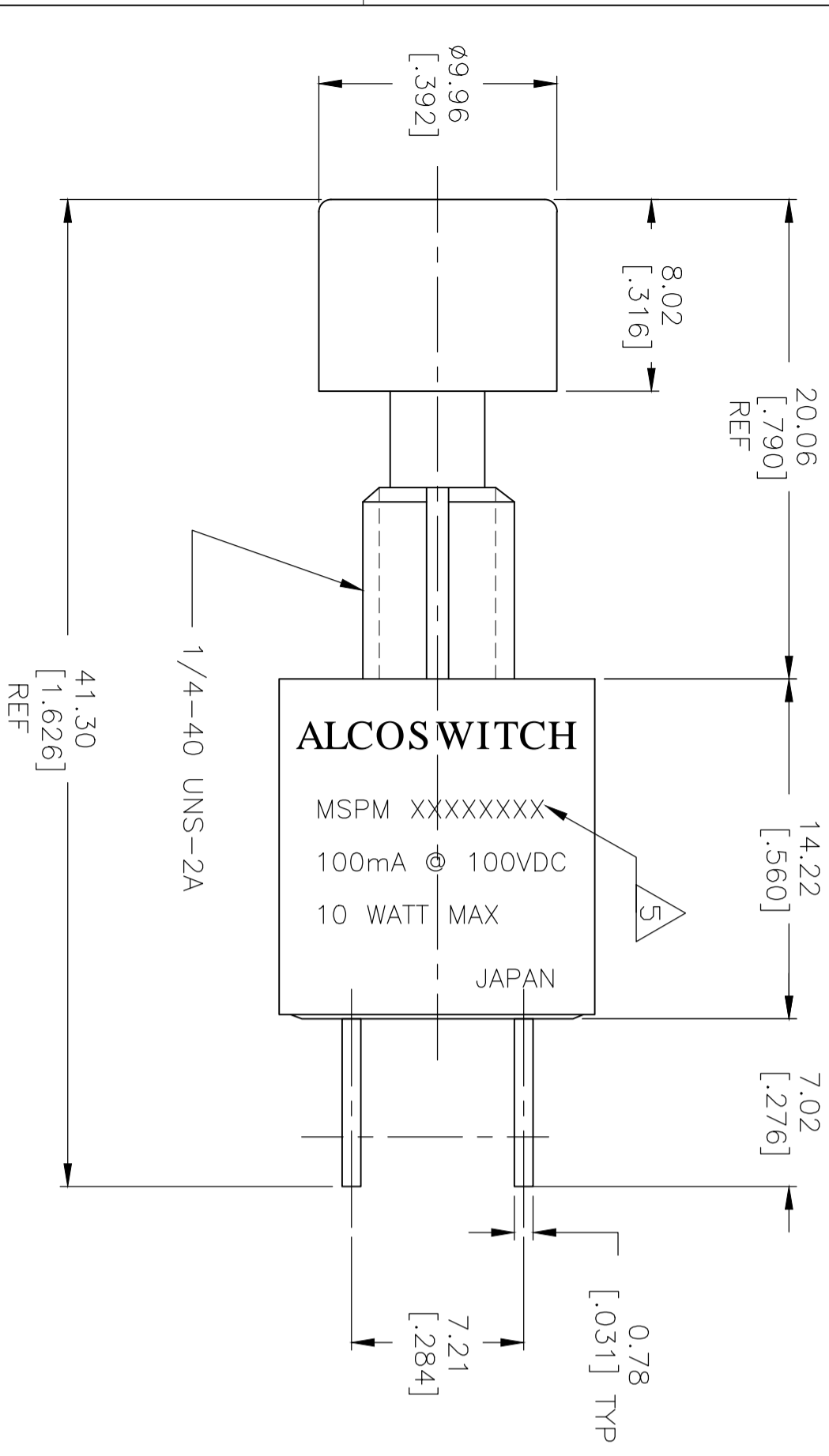
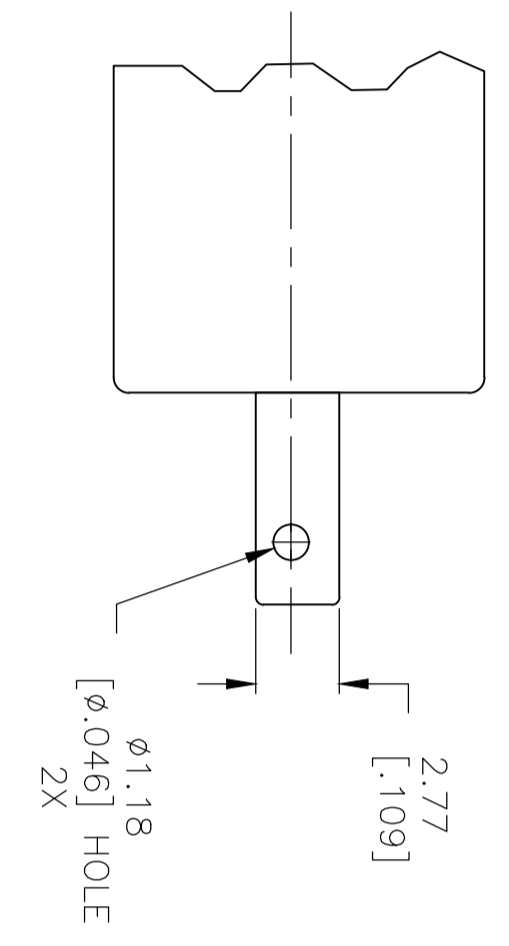


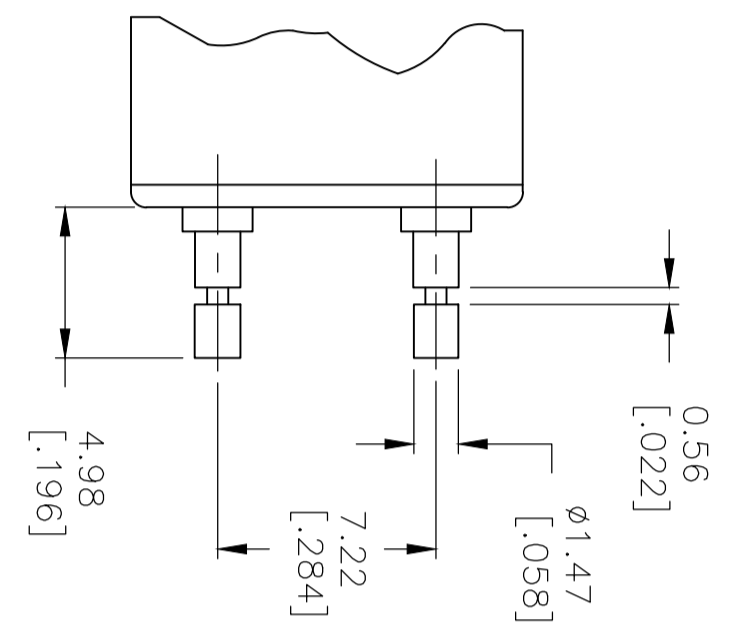
REVOLUTIONS		DATE	DMN	APPD
P	LTR			
A4	REVISED PER ECO-18-016640	21JAN2019	SR	PO



- 1 TERMINAL NUMBERS ARE FOR REFERENCE ONLY AND DO NOT APPEAR ON SWITCHES.
- 2 EACH SWITCH SUPPLIED WITH THE FOLLOWING MOUNTING HARDWARE:  
 (1) DECORATIVE NUT  
 (1) HEX NUT  
 (1) INTERNAL TOOTH LOCKWASHER  
 (1) LOCATING RING
- 3 ALL MATERIALS AND FINISHES SHALL COMPLY WITH EU DIRECTIVE 2002/95/EC OF 27JAN2003 (ROHS).
- 4 LUG TERMINALS ACCEPT STANDARD .110 QUICK CONNECT RECEPTACLES. PIN TERMINALS USEABLE FOR PCB APPLICATIONS.
- 5 MARK FIRST 9 DIGITS PER ALCO P/N COLUMN (E.G.: MSPN101C2)



LUG TERMINAL



PIN TERMINAL

OBSOLETE	PIN	RED	NORMALLY OPEN	1	1	MSPM101C204	1825538-4
	LUG	RED	NORMALLY OPEN	1	1	MSPM101C104	1825538-3
	LUG	BLACK	NORMALLY CLOSED	1	1	MSPM101B104	1825538-2
OBSOLETE	PIN	BLACK	NORMALLY CLOSED	1	1	MSPM101B004	1825538-1
	TERMINAL STYLE	CAP COLOR	ACTION	THROWS	POLES	ALCO P/N	PART NO.

THIS DRAWING IS A CONTROLLED DOCUMENT.

DIMENSIONS: mm [INCHES]	TOLERANCES UNLESS OTHERWISE SPECIFIED:
0 P.L.C. ± .1	± .1
1 P.L.C. ± .010	± .010
2 P.L.C. ± .010	± .010
3 P.L.C. ± .010	± .010
4 P.L.C. ± .010	± .010

MATERIAL SEE SPECIFICATIONS FINISH

DMN L.M. 144RR89

CHK 12JUN96

APVD U.S.Y.L.V.I.A. PRODUCT SPEC

APPLICATION SPEC

WEIGHT

CUSTOMER DRAWING

SIZE A2

Q&E CODE 00779

DRAWING NO. 1825538

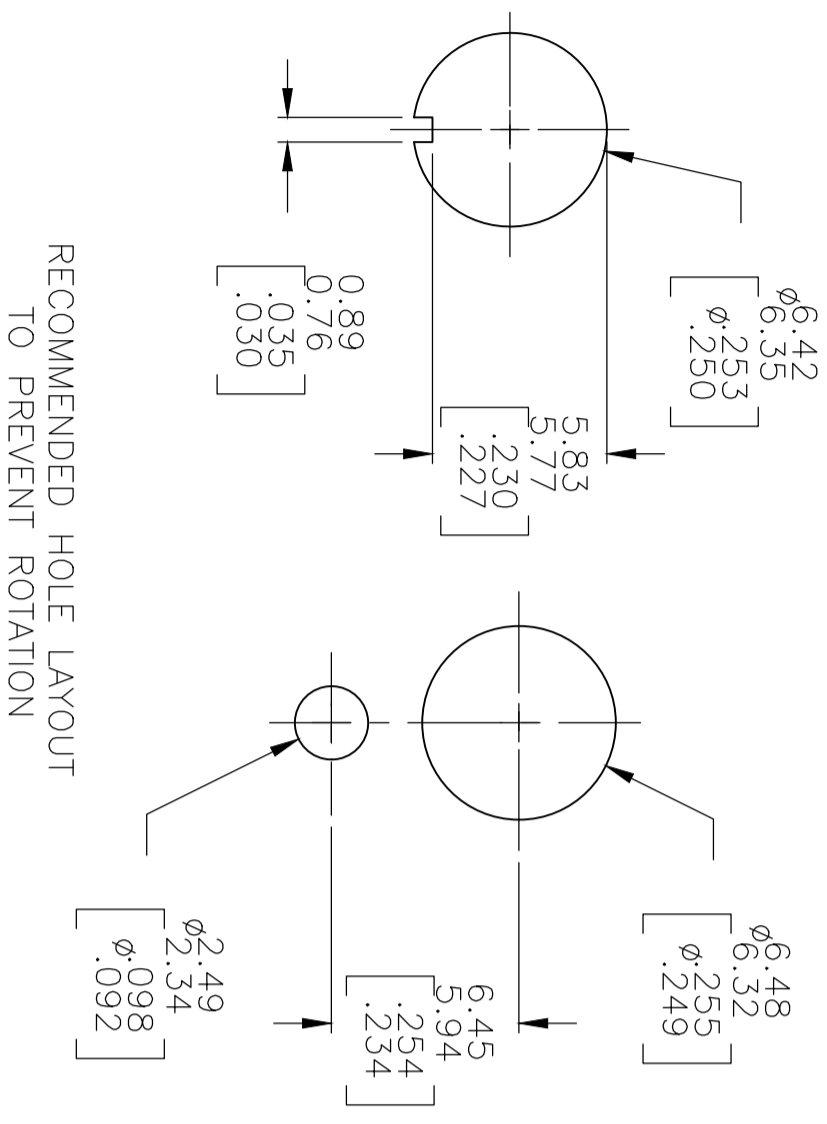
RESTRICTED TO

**STE** TE Connectivity Ltd.

PUSH BUTTON SWITCH, MAGNETIC REED, HERMETICALLY SEALED, SOFT DETENT

REVOLUTIONS		DATE	DWN	APPD
P	LTR	DESCRIPTION		
-	-	SEE SHEET 1	-	-

MATERIALS	
COMPONENT NAME	FINISH
CASE	STEEL
ACTUATOR BUTTON	POLYAMIDE, SEE CHART FOR COLOR
MOVING CONTACT	COPPER ALLOY
FIXED CONTACT	COPPER ALLOY
TERMINALS	COPPER ALLOY
	GOLD OVER NICKEL
	SILVER OVER NICKEL



RECOMMENDED HOLE LAYOUT  
 TO PREVENT ROTATION

SPECIFICATIONS	
RATING	1.0VA OPTIMUM (100mA MAX., 50 VDC MAX.)
INITIAL CONTACT RESISTANCE	100 MILLIOHMS
INSULATION RESISTANCE	1000 MEGOHMS MIN.
DIELECTRIC WITHSTANDING VOLTAGE	1000 VRMS AT SEA LEVEL
DURABILITY	500000 CYCLES AT .1VA
OPERATING FORCE	50000 CYCLES AT 5VA
TRAVEL	TACTILE KEYBOARD FEEL 4 TO 7 OZ. BREAKAWAY REDUCING
OPERATING TEMPERATURE	IMMEDIATELY TO 1.5 OZ. FOLLOW-THROUGH
STORAGE TEMPERATURE	2.00±0.20 [.079±.008]
	-10C TO +80C
	-10C TO +80C

THIS DRAWING IS A CONTROLLED DOCUMENT.

DIMENSIONS: mm [INCHES]	TOLERANCES UNLESS OTHERWISE SPECIFIED:	DWN L.M.	144RR99	NAME	STE TE Connectivity Ltd.
0 P.L.C. ±	1 P.L.C. ±	CHK -	-	PUSH BUTTON SWITCH, MAGNETIC REED, HERMETICALLY SEALED, SOFT DETENT	
2 P.L.C. ±	3 P.L.C. ±				
4 P.L.C. ±	ANGLES ± .1°				
MATERIAL SEE SPECIFICATIONS	FINISH -				

APVD U.S.Y.L.V.I.A. PRODUCT SPEC	12JUN96	SIZE A2	Q&E CODE 00779	DRAWING NO. 1825538	RESTRICTED TO
APPLICATION SPEC		WEIGHT			
CUSTOMER DRAWING		SCALE 4:1	SHEET 2	OF 2	REV A4