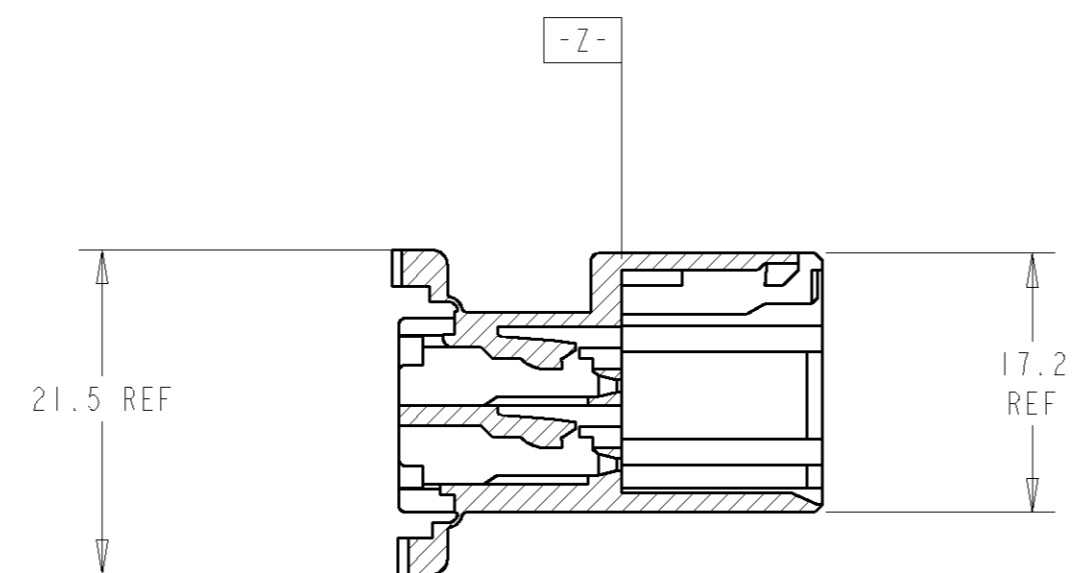
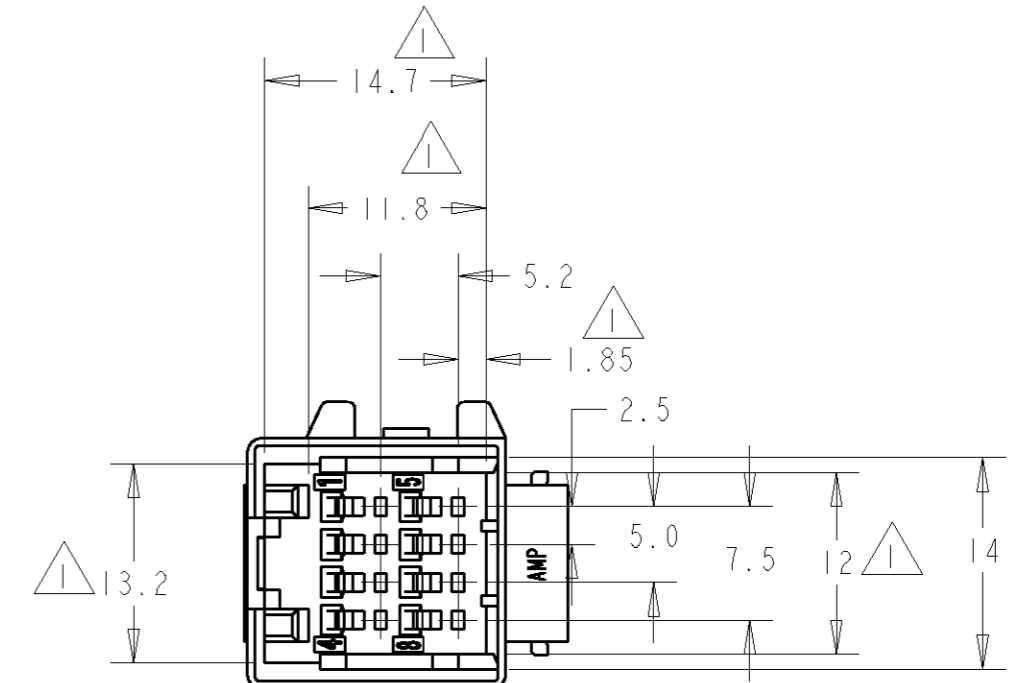
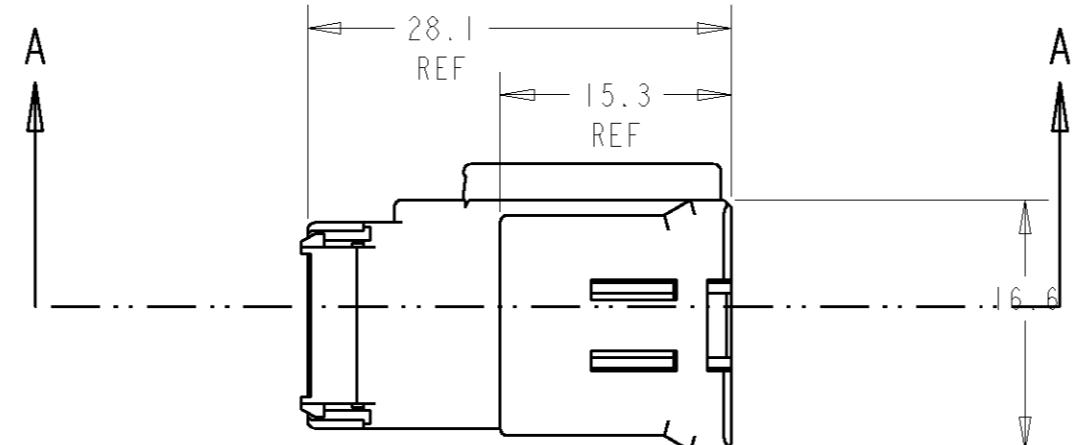
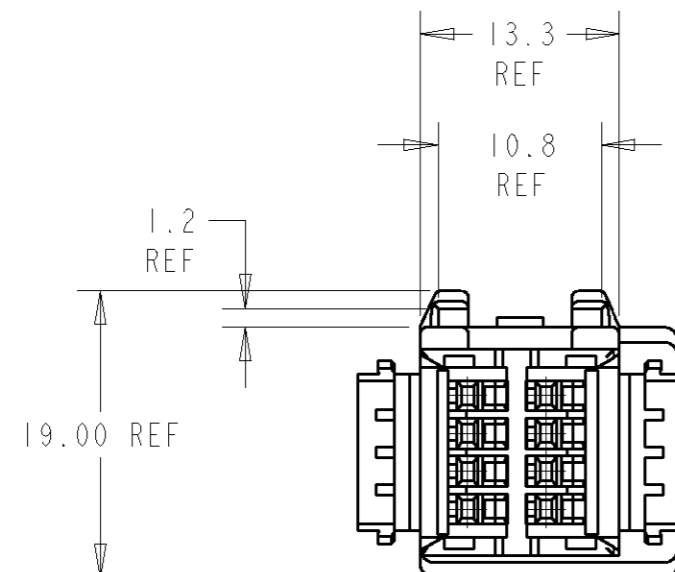
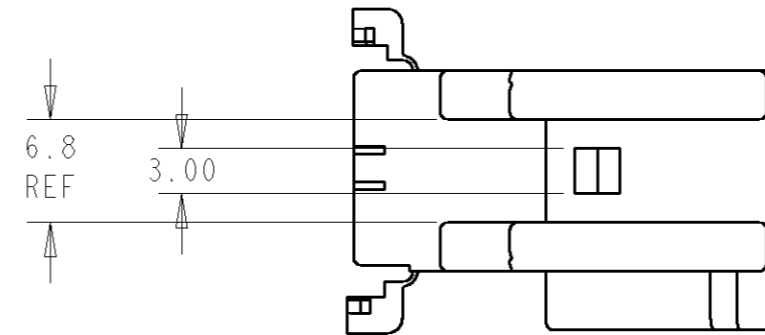
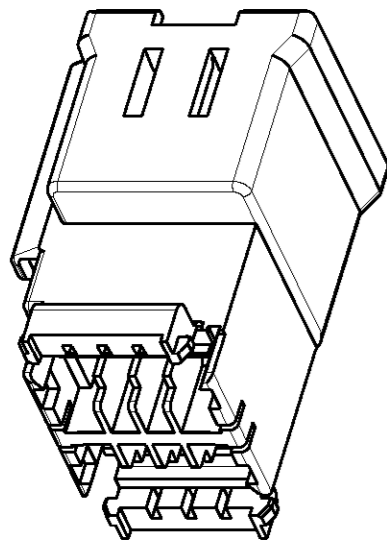


THIS DRAWING IS UNPUBLISHED. RELEASED FOR PUBLICATION
 BY AMP INCORPORATED. ALL RIGHTS RESERVED.

| LOC | DIST | REVISIONS | | | |
|-----|------|-------------|-------------------------|---------|---------|
| P | LTR | DESCRIPTION | DATE | DWN | APVD |
| FX | 55 | A | REV PER EC 0K80-0108-99 | 20SEP99 | JRB MAM |
| | | B | REV PER EC 0K80-0159-99 | 17NOV99 | JRB GEM |
| | | - | - | - | - |
| | | - | - | - | - |

1. TO BE MEASURED BETWEEN -Z- AND 2mm FROM -Z-.
2. THE MATING PLUG HOUSING PART NUMBER IS 353490.
3. APPLICABLE CONTACT PART NUMBER IS 173682



SECTION A-A

| | |
|-------|----------|
| WHITE | 638225-1 |
| COLOR | PART NO |

| | | | |
|--|---|--|---|
| <small>THIS DRAWING IS A CONTROLLED DOCUMENT FOR AMP INCORPORATED. IT IS SUBJECT TO CHANGE AND THE CONTROLLING ENGINEERING ORGANIZATION SHOULD BE CONTACTED FOR THE LATEST REVISION.</small> | | DWN Y. PETERSON 02SEP98 CHK S. KROEGER 02SEP98 APVD S. KROEGER 02SEP98 | AMP AMP Incorporated Harrisburg, PA 17105-3608 |
| DIMENSIONS: mm | TOLERANCES UNLESS OTHERWISE SPECIFIED: 0 PLC ±0.25 1 PLC ±0.15 2 PLC ±0.1 3 PLC ± 4 PLC ± ANGLES ±3 FINISH - | PRODUCT SPEC 108-5352 APPLICATION SPEC 114-5108 WEIGHT - | NAME CAP HOUSING, .040 8 POS, MULTI-LOCK CONNECTOR W/PANEL CLIP SIZE A2 CAGE CODE 00779 DRAWING NO. 638225 RESTRICTED TO - |
| MATERIAL - | | CUSTOMER DRAWING SCALE 2:1 SHEET 1 OF 1 REV B | |