

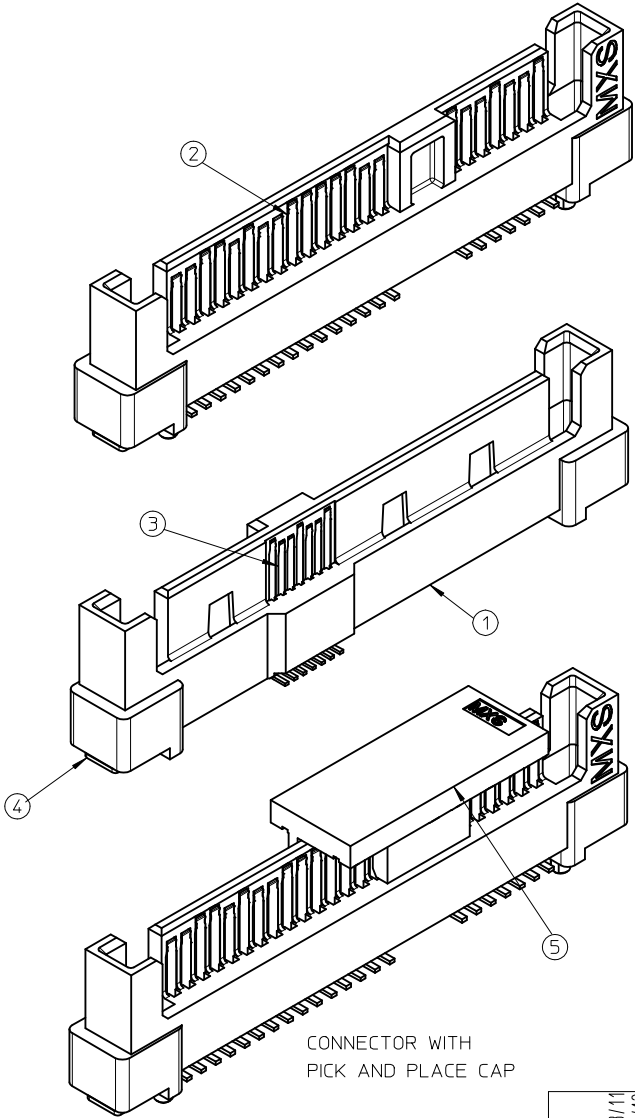
NO.	PART NAME	QTY.	MATERIAL
1	HOUSING	1	NYLON(PA), UL 94V-0, COLOR: BLACK
2	CONTACT A	22	COPPER ALLOY
3	CONTACT B	7	COPPER ALLOY
4	FITTING-NAIL	2	COPPER ALLOY
5	PICK & PLACE CAP	1	PA46, UL 94V-0, COLOR: BLACK

NOTES:

1. MATERIAL: REFER TO THE ABOVE PART-LIST.
2. PLATING SPECIFICATION: REFER TO TABLE-1.
3. APPLICABLE INDUSTRY SPECIFICATION :  
SFF-8482 UNSHIELDED DUAL PORT SERIAL ATTACHMENT CONNECTOR.
4. PRODUCT SPECIFICATION: PS-78012-002.
5. PACKING: REFER TO PACKING INFORMATION (SHEET 6/6).
6. DATE CODE FORMAT: YEAR & DAY OF MANUFACTURE.
7. MOLEX LOGO IS LOCATED APPROXIMATELY AS SHOW.
8. MAXIMUM WARPAGE OF 0.13mm OVER THE LENGTH OF THE CONNECTOR IN ANY DIRECTION BEFORE AND AFTER EXPOSURE TO MAX. 260°C FOR 10 SECONDS.

TABLE-1: ( CONTACT AND FITTING-NAIL PLATING SPECIFICATION )

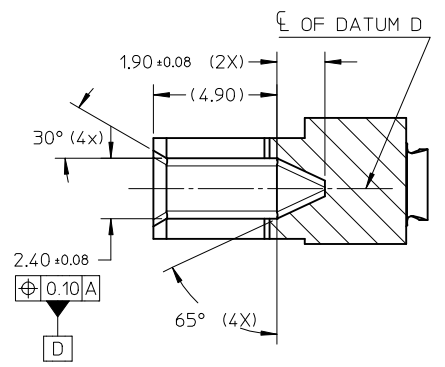
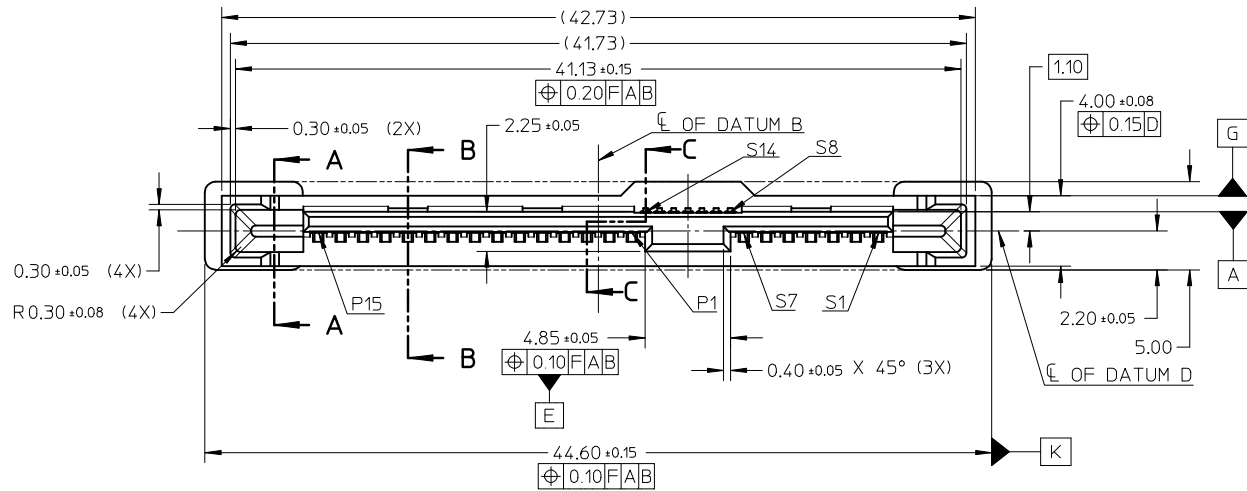
PART NAME	MATING AREA	TERMINAL AREA	OTHERS AREA
CONTACT	GOLD (0.764μm MIN.)	TIN (1.914μm MIN.)	NICKEL PLATING
	OVER 1.274μm MIN. NICKEL UNDERPLATE		
FITTING-NAIL	TIN OVER NICKEL UNDERPLATE		



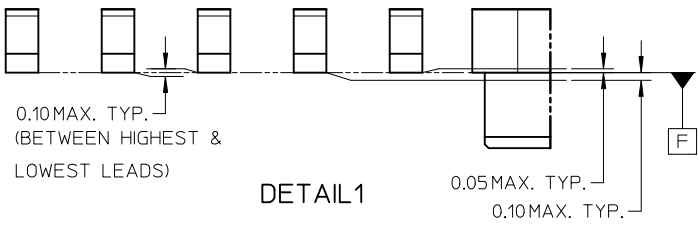
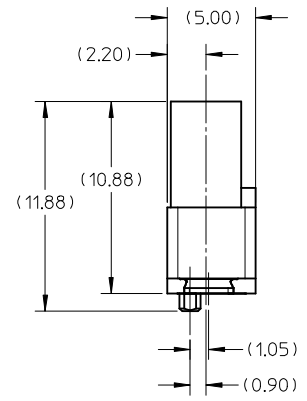
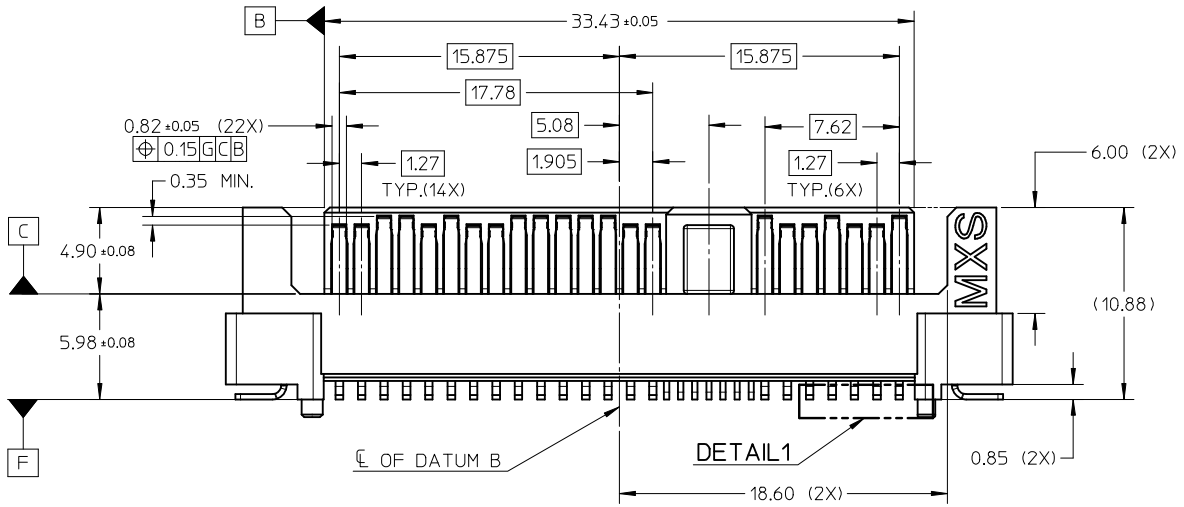
CONNECTOR WITH PICK AND PLACE CAP

SEE SHEET 6 EC NO: S2009-0661 DRWN:GEMARLY 2009/03/11 CHKD:CGOH 2009/03/12 APPR:BOKOK 2009/03/13	QUALITY SYMBOLS	GENERAL TOLERANCES (UNLESS SPECIFIED)	DIMENSION STYLE	SCALE	DESIGN UNITS	THIRD ANGLE PROJECTION	
	▼=0 □=0	mm INCH 4 PLACES ± --- ± --- 3 PLACES ± --- ± --- 2 PLACES ± 0.20 ± --- 1 PLACE ± --- ± --- ANGULAR ± 3 °	MM ONLY	NTS	METRIC	☉ □ THIRD ANGLE PROJECTION	
	DESCRIPTION	DRAFT WHERE APPLICABLE MUST REMAIN WITHIN DIMENSIONS	DRAWN BY DATE	TITLE	SERIAL ATTACH SCSI (SAS) PLUG, VERTICAL MOUNT SMT MOLEX INCORPORATED		
	REV		CGTAN 2005/11/10	2005/11/24			
A2			CHECKED BY DATE SHONG 2005/11/24 APPROVED BY DATE KCLING 2005/11/24 MATERIAL NO. 78012-0011 DOCUMENT NO. SD-78012-101	SHEET NO. 1 OF 6	THIS DRAWING CONTAINS INFORMATION THAT IS PROPRIETARY TO MOLEX INCORPORATED AND SHOULD NOT BE USED WITHOUT WRITTEN PERMISSION		

10 9 8 7 6 5 4 3 2 1



SECTION A-A

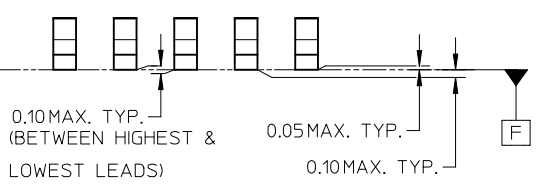
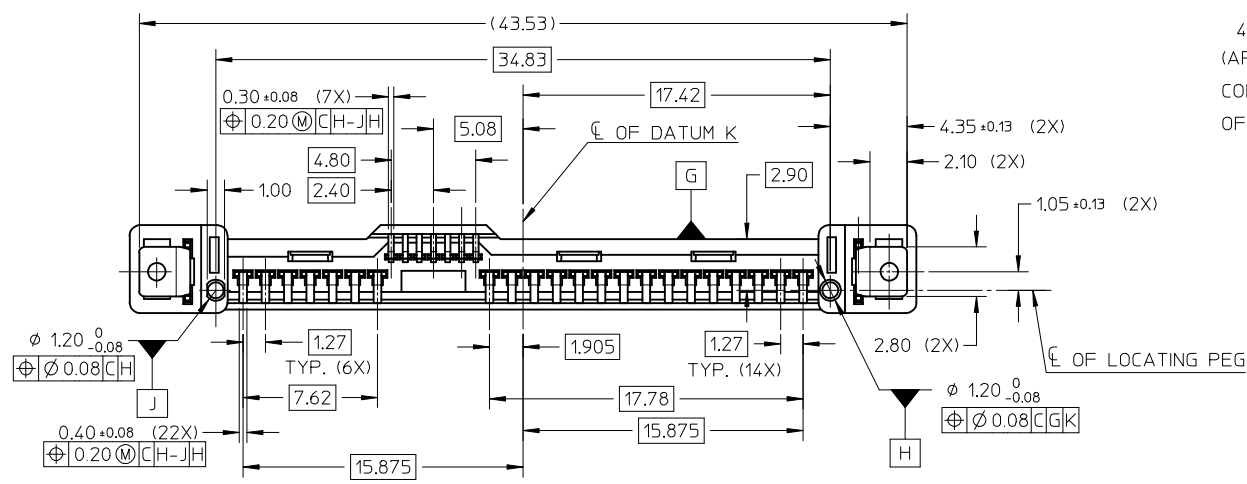
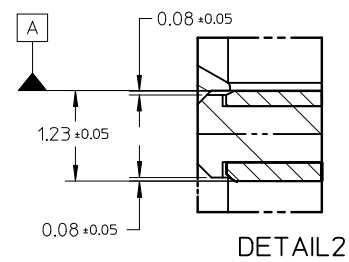
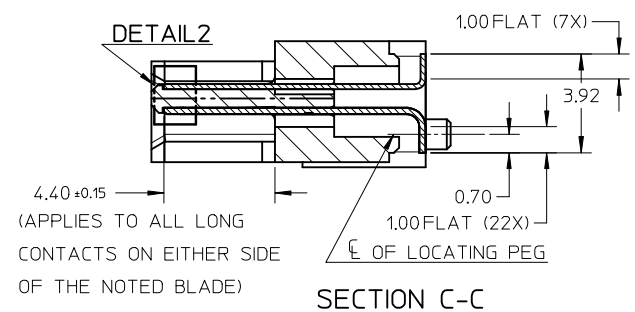
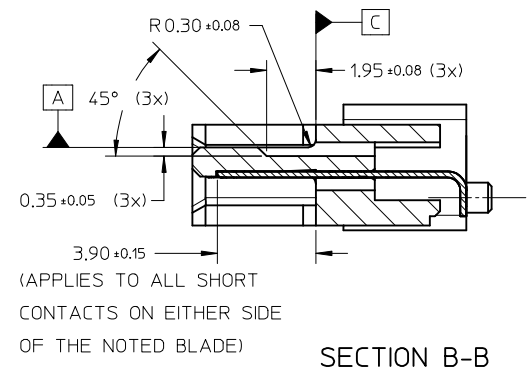
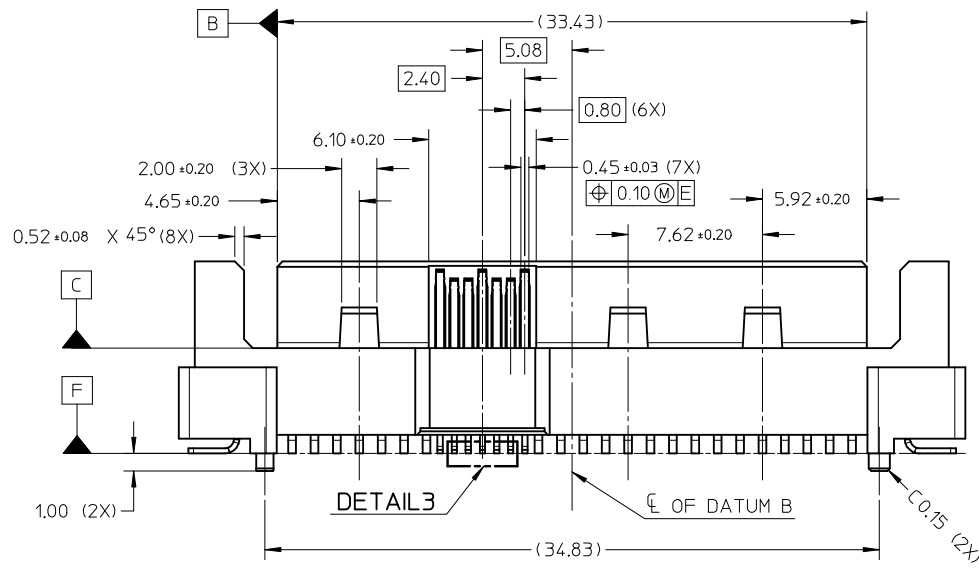


DETAIL 1

<p>SEE SHEET 6                  EC NO: S2009-0661                  DRWING: MEMARLY 2009/03/11                  CHKD: CGOH 2009/03/12                  APPR: BOKOK 2009/03/13</p>	<p>QUALITY SYMBOLS</p> <p>▽=0                  ◻=0</p>	<p>GENERAL TOLERANCES (UNLESS SPECIFIED)</p> <table border="1"> <thead> <tr> <th></th> <th>mm</th> <th>INCH</th> </tr> </thead> <tbody> <tr> <td>4 PLACES</td> <td>± ---</td> <td>± ---</td> </tr> <tr> <td>3 PLACES</td> <td>± ---</td> <td>± ---</td> </tr> <tr> <td>2 PLACES</td> <td>± 0.20</td> <td>± ---</td> </tr> <tr> <td>1 PLACE</td> <td>± ---</td> <td>± ---</td> </tr> </tbody> </table> <p>ANGULAR ± 3°</p>		mm	INCH	4 PLACES	± ---	± ---	3 PLACES	± ---	± ---	2 PLACES	± 0.20	± ---	1 PLACE	± ---	± ---	<p>DIMENSION STYLE</p> <p>MM ONLY</p> <table border="1"> <thead> <tr> <th>DRAWN BY</th> <th>DATE</th> </tr> </thead> <tbody> <tr> <td>CGTAN</td> <td>2005/11/10</td> </tr> <tr> <th>CHECKED BY</th> <th>DATE</th> </tr> <tr> <td>SHONG</td> <td>2005/11/24</td> </tr> <tr> <th>APPROVED BY</th> <th>DATE</th> </tr> <tr> <td>KCLING</td> <td>2005/11/24</td> </tr> </tbody> </table>	DRAWN BY	DATE	CGTAN	2005/11/10	CHECKED BY	DATE	SHONG	2005/11/24	APPROVED BY	DATE	KCLING	2005/11/24	<p>SCALE</p> <p>NTS</p>	<p>DESIGN UNITS</p> <p>METRIC</p>	<p>THIRD ANGLE PROJECTION</p>	<p>TITLE</p> <p>SERIAL ATTACH SCSI (SAS) PLUG, VERTICAL MOUNT SMT</p>
		mm	INCH																															
	4 PLACES	± ---	± ---																															
	3 PLACES	± ---	± ---																															
2 PLACES	± 0.20	± ---																																
1 PLACE	± ---	± ---																																
DRAWN BY	DATE																																	
CGTAN	2005/11/10																																	
CHECKED BY	DATE																																	
SHONG	2005/11/24																																	
APPROVED BY	DATE																																	
KCLING	2005/11/24																																	
		<p>DRAFT WHERE APPLICABLE MUST REMAIN WITHIN DIMENSIONS</p>	<p>MATERIAL NO.</p> <p>78012-0011</p>	<p>DOCUMENT NO.</p> <p>SD-78012-101</p>	<p>SHEET NO.</p> <p>2 OF 6</p>	<p>THIS DRAWING CONTAINS INFORMATION THAT IS PROPRIETARY TO MOLEX INCORPORATED AND SHOULD NOT BE USED WITHOUT WRITTEN PERMISSION</p>																												
			<p>SIZE</p> <p>A3</p>																															

9 8 7 6 5 4 3 2 1

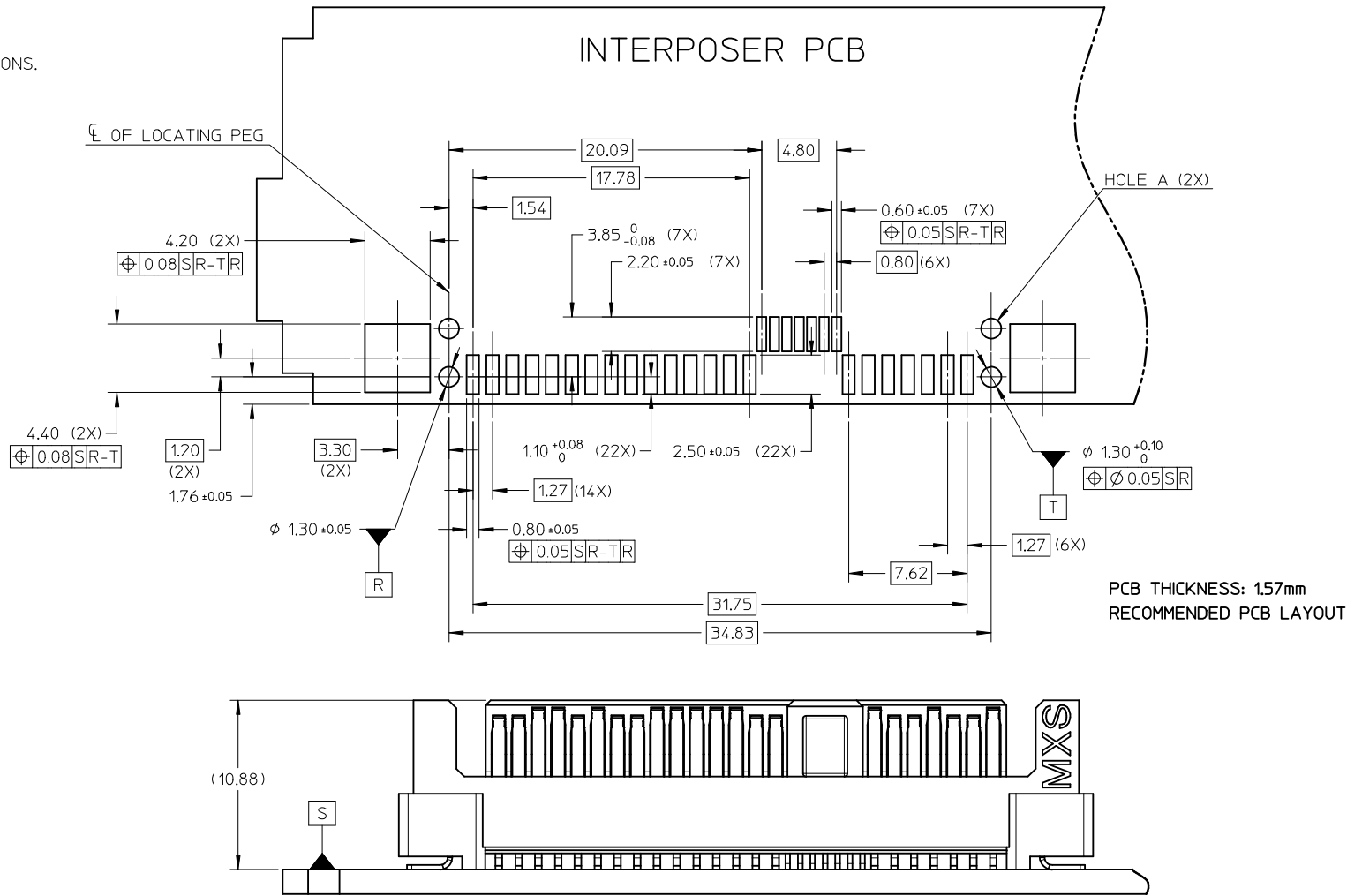
10 9 8 7 6 5 4 3 2 1



SEE SHEET 6 EC NO: S2009-0661 DRWING: GEMARLY 2009/03/11 CHK'D: CGOH 2009/03/12 APPR: BOKOK 2009/03/13	QUALITY SYMBOLS ▽=0 ◻=0	GENERAL TOLERANCES (UNLESS SPECIFIED)		DIMENSION STYLE MM ONLY		SCALE NTS	DESIGN UNITS METRIC	THIRD ANGLE PROJECTION	
		4 PLACES ± --- ± --- 3 PLACES ± --- ± --- 2 PLACES ± 0.20 ± --- 1 PLACE ± --- ± ---	mm INCH ± --- ± --- ± 0.20 ± --- ± --- ± ---	DRAWN BY CGTAN	DATE 2005/11/10	TITLE SERIAL ATTACH SCSI (SAS) PLUG, VERTICAL MOUNT SMT			
		ANGULAR ± 3 °		CHECKED BY SHONG	DATE 2005/11/24	MOLEX INCORPORATED			
		DRAFT WHERE APPLICABLE MUST REMAIN WITHIN DIMENSIONS		APPROVED BY KCLING	DATE 2005/11/24	MATERIAL NO. 78012-0011	DOCUMENT NO. SD-78012-101	SHEET NO. 3 OF 6	

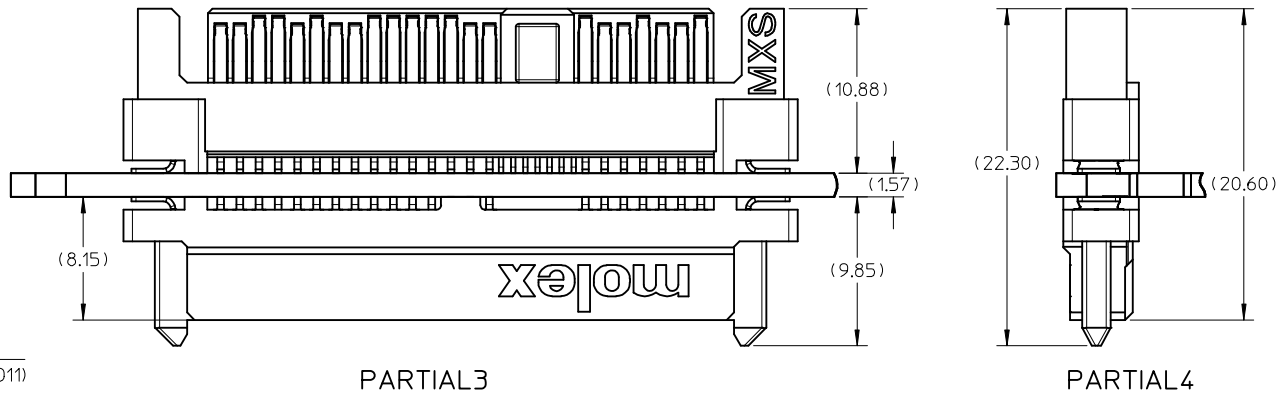
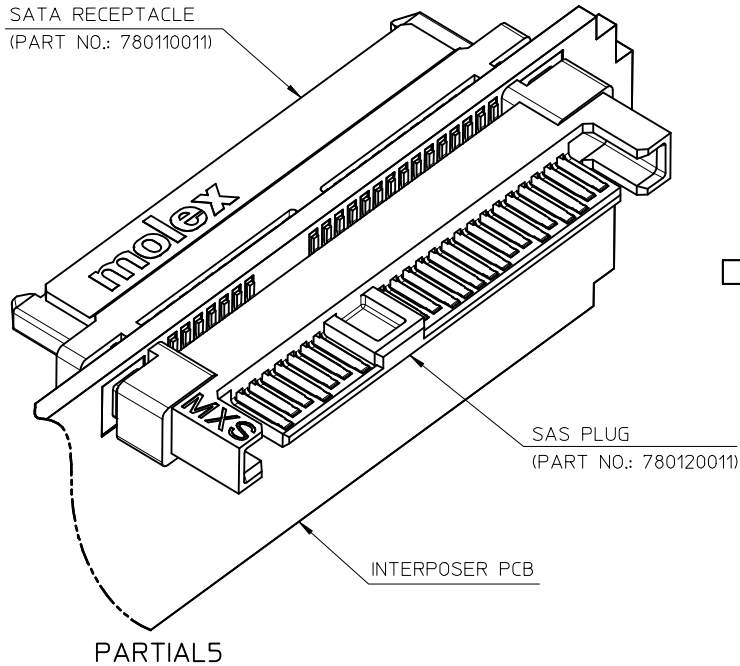
9 8 7 6 5 4 3 2 1

NOTES:  
 1. REFER TO SD-78011-101  
 FOR HOLES A DETAILED DIMENSIONS.



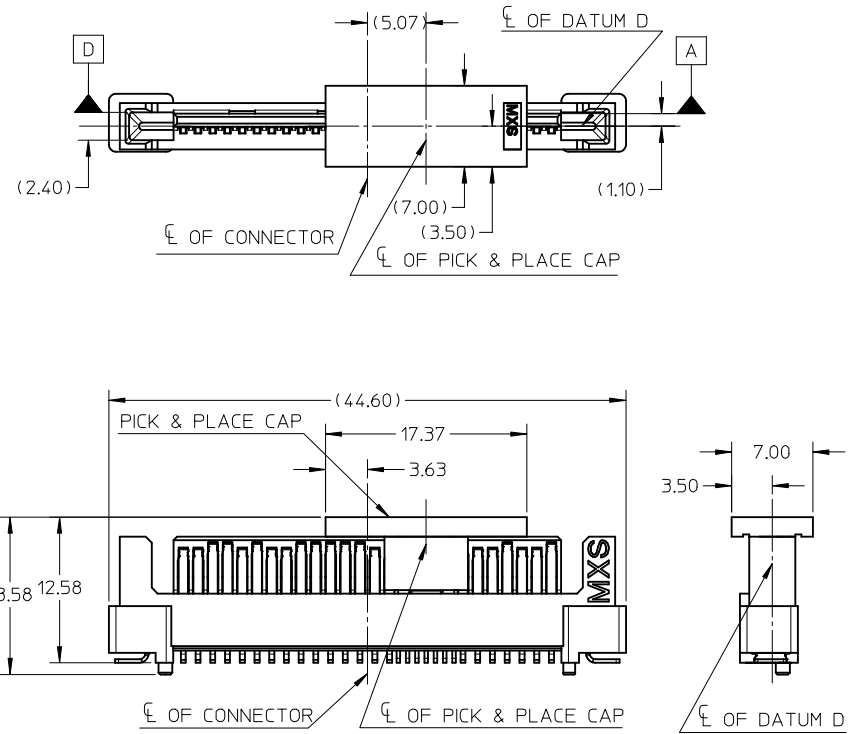
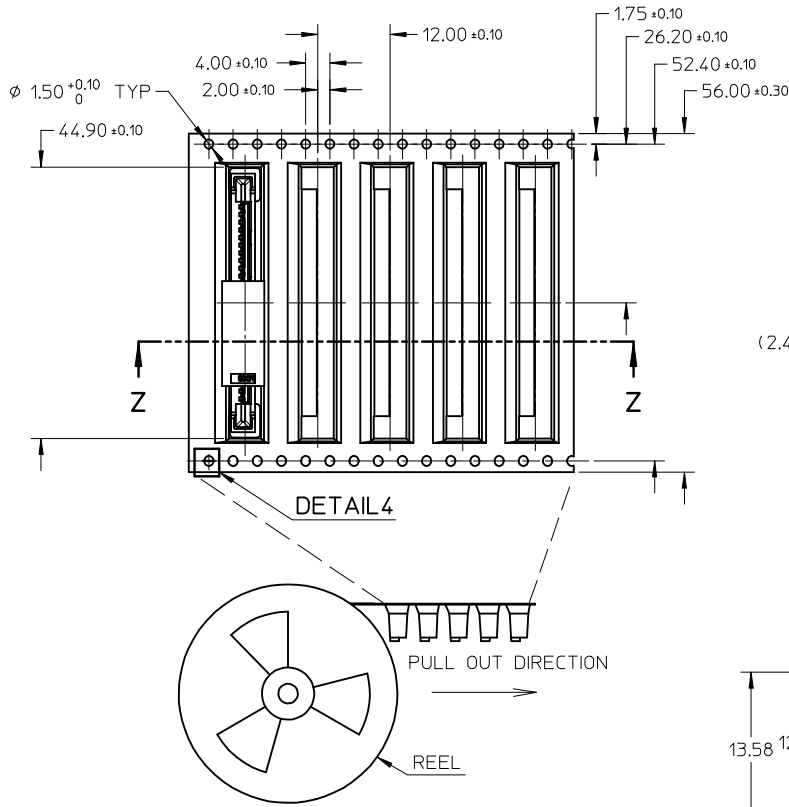
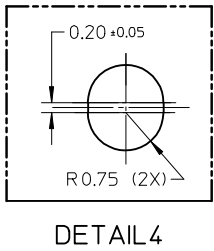
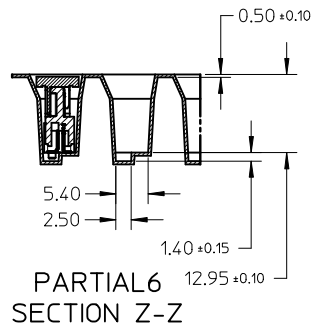
SEE SHEET 6 EC NO: S2009-0661 DRW: GEMARLY CHKD: CGOH APPR: BOKOK	2009/03/11 2009/03/12 2009/03/13	DESCRIPTION REV	QUALITY SYMBOLS	GENERAL TOLERANCES (UNLESS SPECIFIED)	DIMENSION STYLE	SCALE	DESIGN UNITS	THIRD ANGLE PROJECTION
			▼=0 ◻=0	mm    INCH 4 PLACES ± --- ± --- 3 PLACES ± --- ± --- 2 PLACES ± 0.20 ± --- 1 PLACE ± --- ± --- ANGULAR ± 3 °	MM ONLY DRAWN BY: CGTAN    DATE: 2005/11/10 CHECKED BY: SHONG    DATE: 2005/11/24 APPROVED BY: KCLING    DATE: 2005/11/24	NTS	METRIC	TITILE SERIAL ATTACH SCSI (SAS) PLUG, VERTICAL MOUNT SMT
			DRAFT WHERE APPLICABLE MUST REMAIN WITHIN DIMENSIONS	MATERIAL NO. 78012-0011	MOLEX INCORPORATED DOCUMENT NO. SD-78012-101	SHEET NO. 4 OF 6		
			THIS DRAWING CONTAINS INFORMATION THAT IS PROPRIETARY TO MOLEX INCORPORATED AND SHOULD NOT BE USED WITHOUT WRITTEN PERMISSION					

NOTES:  
 1. APPLICATION AS SHOWN IN SHEET 5/6.  
 2. REFER TO SD-78011-101 FOR THE DETAILS OF SATA RECEPTACLE.



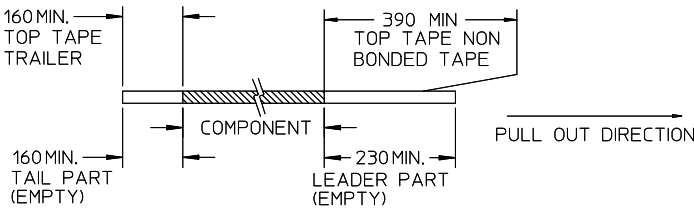
SEE SHEET 6 EC NO: S2009-0661 DRWN:GMENARLY 2009/03/11 CHKD:CGOH 2009/03/12 APPR:BOKOK 2009/03/13	QUALITY SYMBOLS	GENERAL TOLERANCES (UNLESS SPECIFIED)	DIMENSION STYLE	SCALE	DESIGN UNITS	THIRD ANGLE PROJECTION	
	▽=0 □=0	mm INCH 4 PLACES ± --- ± --- 3 PLACES ± --- ± --- 2 PLACES ± <b>0.20</b> ± --- 1 PLACE ± --- ± --- ANGULAR ± 3 °	MM ONLY	NTS	METRIC		
	DESCRIPTION	DRAFT WHERE APPLICABLE MUST REMAIN WITHIN DIMENSIONS	DRAWN BY: CGTAN CHECKED BY: SHONG APPROVED BY: KCLING	DATE: 2005/11/10 DATE: 2005/11/24 DATE: 2005/11/24	TITLE: SERIAL ATTACH SCSI (SAS) PLUG, VERTICAL MOUNT SMT MOLEX INCORPORATED		
	REV		MATERIAL NO.	SIZE	DOCUMENT NO.	SHEET NO.	
A2		78012-0011	A3	SD-78012-101	5 OF 6		

TAPE & REEL PACKING

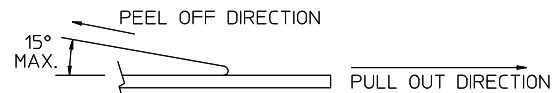


NOTES:

1. LEADER AND TRAILER TAPE



2. PEELING OFF FORCE OF THE TOP TAPE: 80gf MAX. (PEELING DIRECTION AS SHOWN IN FOLLOWING FIGURE)



3. TAPE AND REEL SPECIFICATION IS AS PER EIA-481.

4. TAPE AND REEL QUANTITY : 250 PCS/ REEL.

5. THE TAPE IS TREATED FOR ANTI-STATIC.

CHANGED T&R QTY EC NO: S2009-0661 DRWING: MENARLY CHKD: CGOH APPR: BOKOK	2009/03/11	2009/03/12	2009/03/13
	DESCRIPTION		
	REV		
	A2		

QUALITY SYMBOLS ▽=0 ◻=0	GENERAL TOLERANCES (UNLESS SPECIFIED)	
	mm	INCH
	4 PLACES	± --- ± ---
	3 PLACES	± --- ± ---
	2 PLACES	± 0.20 ± ---
	1 PLACE	± --- ± ---
	ANGULAR ± 3 °	
	DRAFT WHERE APPLICABLE MUST REMAIN WITHIN DIMENSIONS	

DIMENSION STYLE MM ONLY	
DRAWN BY CGTAN	DATE 2005/11/10
CHECKED BY SHONG	DATE 2005/11/24
APPROVED BY KCLING	DATE 2005/11/24
MATERIAL NO. 78012-0011	
SIZE A3	THIS DRAWING CONTAINS INFORMATION THAT IS PROPRIETARY TO MOLEX INCORPORATED AND SHOULD NOT BE USED WITHOUT WRITTEN PERMISSION

SCALE NTS	DESIGN UNITS METRIC	THIRD ANGLE PROJECTION
TITLE SERIAL ATTACH SCSI (SAS) PLUG, VERTICAL MOUNT SMT		
MOLEX INCORPORATED		
DOCUMENT NO. SD-78012-101	SHEET NO. 6 OF 6	