

THIS DRAWING IS UNPUBLISHED.

RELEASED FOR PUBLICATION

20

© COPYRIGHT 20

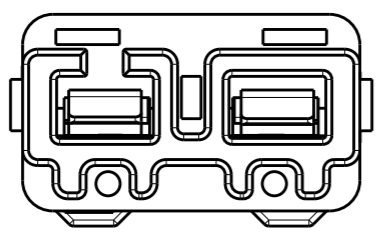
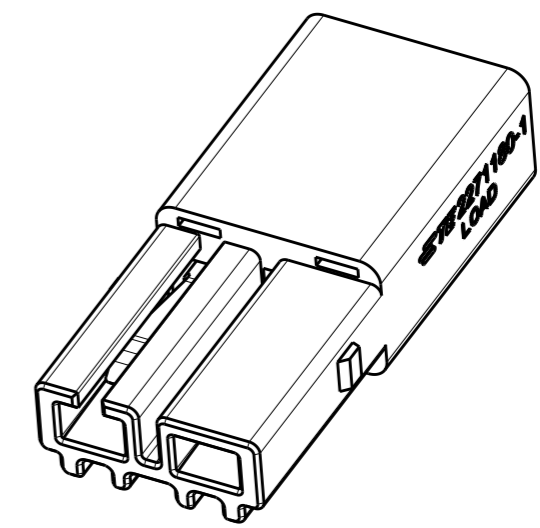
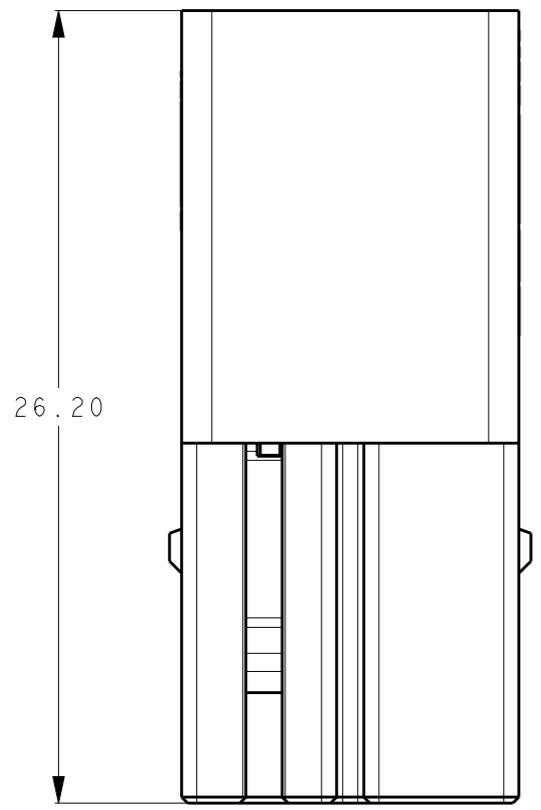
ALL RIGHTS RESERVED.

LOC
ES

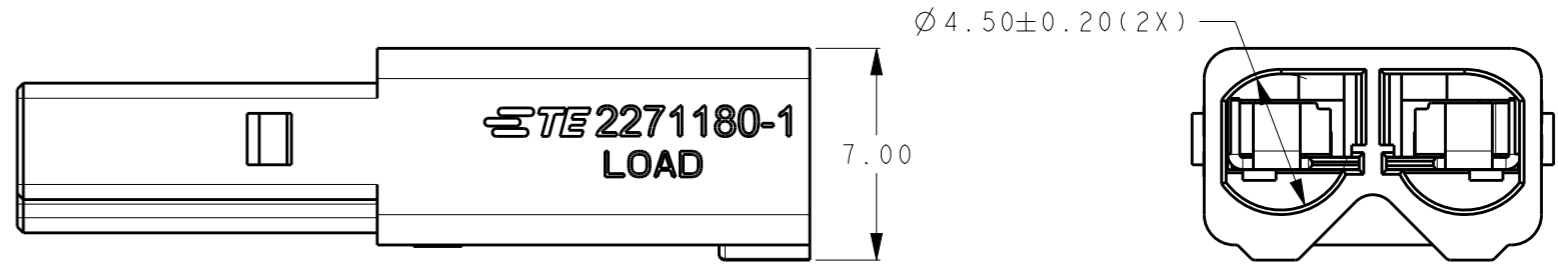
DIST

REVISIONS

P	LTR	DESCRIPTION	DATE	DWN	APVD
	C	ECR-18-020006	03APR2019	M.S	M.S
	D	ECR-19-010701	16AUG2019	M.S	M.S
	D1	ECR-19-013399	26DEC2019	F.F	M.S
	D2	ECO-20-009837	14JULY2020	W.Z	M.S



SCALE 4:1



PART NUMBER	PART COLOR
2271180-1	ORANGE
2271180-2	BLACK
2271180-3	WHITE (NATURAL)

NOTES:

- TE PART NUMBER: SEE TABLE.
- MATERIAL: COPPER ALLOY.
- HOUSING : NYLON, UL 94-V0.COLOR: ORANGE.
- FINISH: TIN PLATING OVERALL.
- APPLICABLE MATING RECEPTACLE: 2271183 SERIES.
- APPLICABLE WIRE: AWG18-22 SOLID OR TIN DIPPED STRANDED. (16 STRANDS MAX. FOR 18 AWG, 7 STRANDS MAX FOR 20-22 AWG. SEE RELATED APPLICATION SPECIFICATION AND PRODUCT SPECIFICATION) STRIP LENGTH: 9.0-9.6mm.
- PRODUCT COMPLIES TO UL 2459 REQUIREMENT AND QUALIFIED: ZMNA.E308110 ; ZMNA7.E308110

THIS DRAWING IS A CONTROLLED DOCUMENT.		DWN	26DEC2019	STE TE Connectivity
		CHK	FRANK FAN 26DEC2019	
		APVD	GEORGE FU 26DEC2019	
		APVD	MING SHI 26DEC2019	
DIMENSIONS: mm		TOLERANCES UNLESS OTHERWISE SPECIFIED: ±0.5		NAME
		0 PLC ± 1 PLC ± 2 PLC ± 3 PLC ± 4 PLC ± ANGLES ±5°		2 PIN WIRE TO WIRE CONNECTOR
		PRODUCT SPEC 108-137020		SIZE
MATERIAL		APPLICATION SPEC 114-137020		CAGE CODE
FINISH		WEIGHT 1.74g		DRAWING NO
		CUSTOMER DRAWING		RESTRICTED TO
		SCALE 4:1		SHEET 1 OF 3
				REV D2

THIS DRAWING IS UNPUBLISHED.

RELEASED FOR PUBLICATION

20

© COPYRIGHT 20

ALL RIGHTS RESERVED.

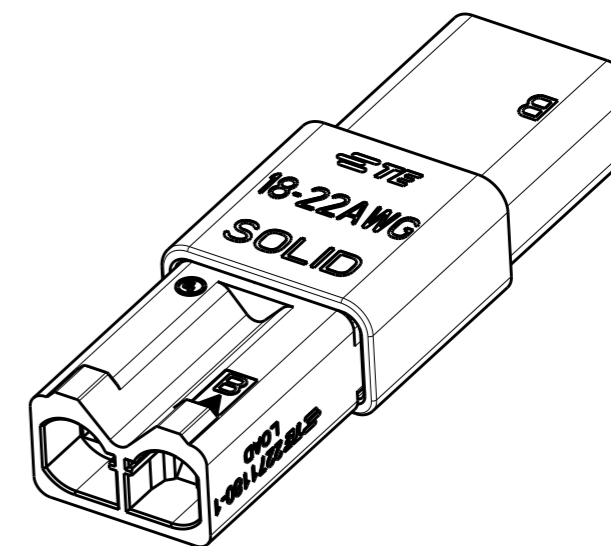
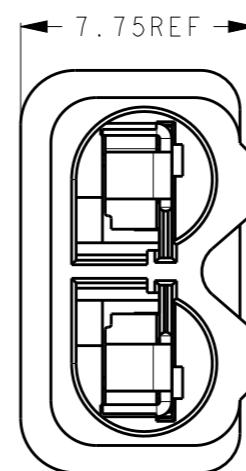
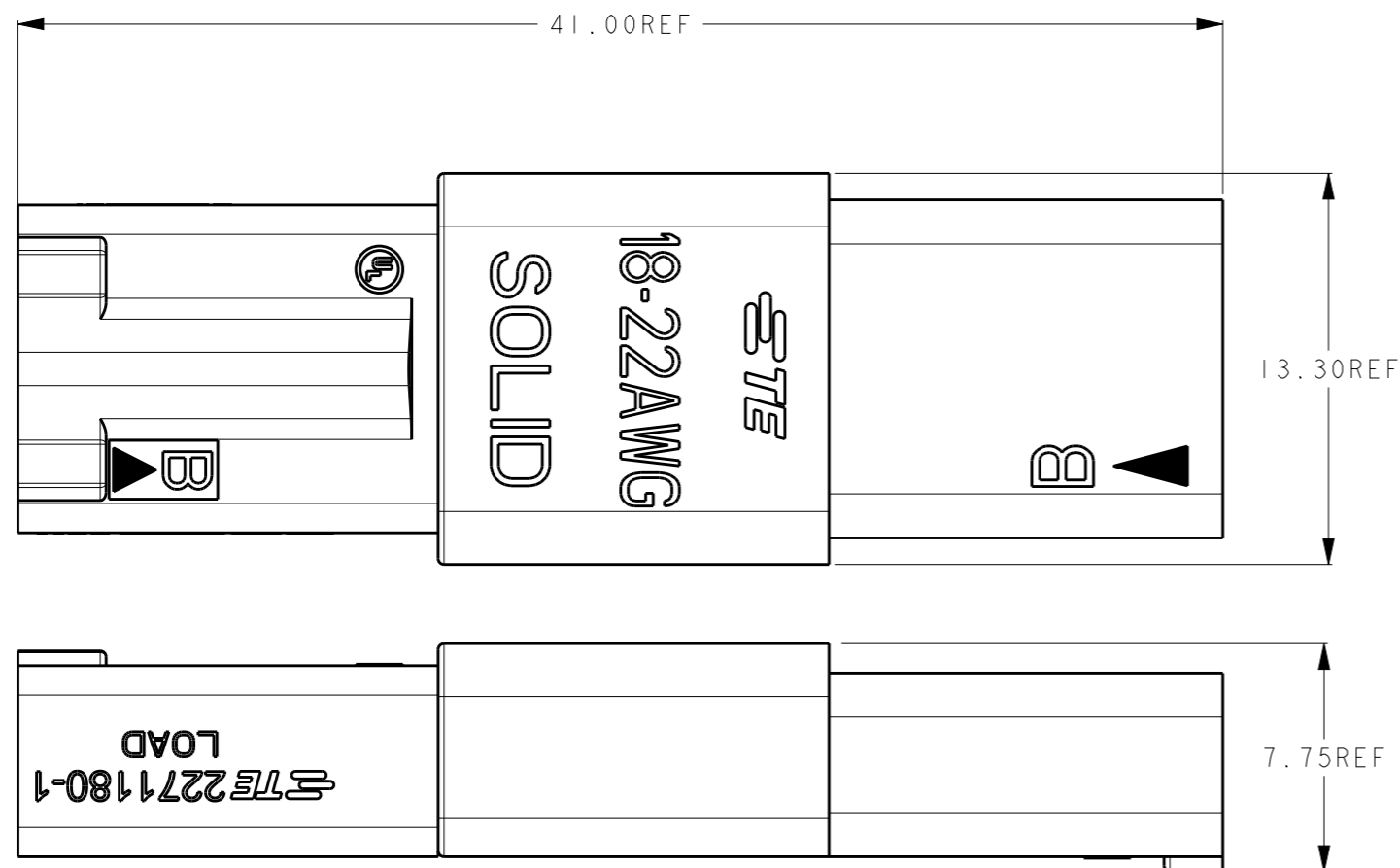
LOC
ES

DIST

REVISIONS

P	LTR	DESCRIPTION	DATE	DWN	APVD

MATED WITH RECEPTACLE



THIS DRAWING IS A CONTROLLED DOCUMENT.

DIMENSIONS:
mm



TOLERANCES UNLESS OTHERWISE SPECIFIED:
± 0.50

- 0-PLC ±
- 1-PLC ±
- 2-PLC ±
- 3-PLC ±
- 4-PLC ±
- ANGLES ±5°

MATERIAL

FINISH

DWN 26DEC2019
FRANK FAN
CHK 26DEC2019
GEORGE FU
APVD 26DEC2019
MING SHI

PRODUCT SPEC -
APPLICATION SPEC -
WEIGHT -
CUSTOMER DRAWING

STE TE Connectivity

PLUG
2 PIN WIRE TO WIRE CONNECTOR

SIZE	CAGE CODE	DRAWING NO	RESTRICTED TO
------	-----------	------------	---------------

A300779	C-2271180	-
---------	-----------	---

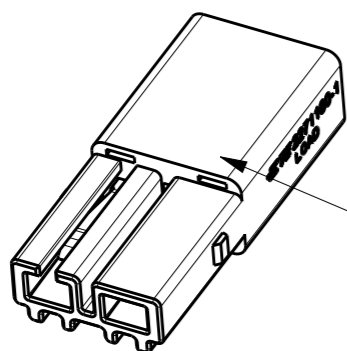
SCALE 4:1	SHEET 2 OF 3	REV D2
-----------	--------------	--------

LOC
ES

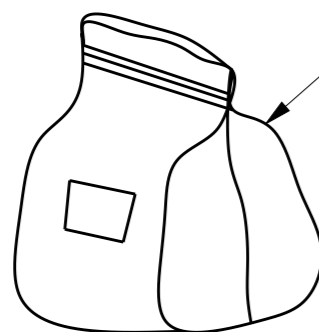
DIST

REVISIONS

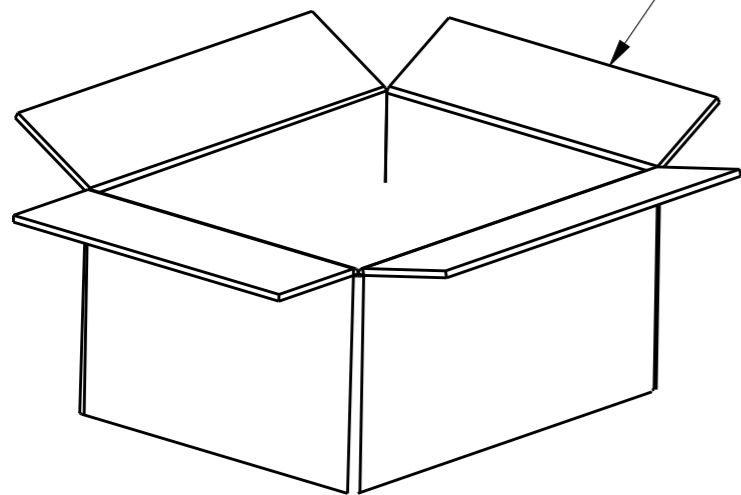
P	LTR	DESCRIPTION	DATE	DWN	APVD



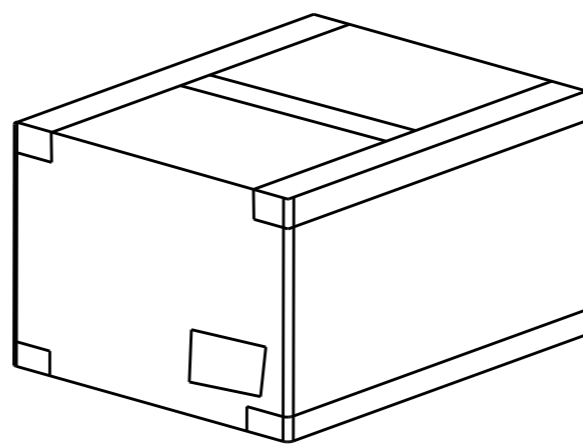
2271180-X



PLASTIC BAG



CARTON



NOTE:
1. PACKAGING QUANTITY: SEE TABLE.

PARTS PER BAG	BAGS PER CARTON	PARTS PER CARTON
500 PCS	8	4000 PCS

THIS DRAWING IS A CONTROLLED DOCUMENT.

DIMENSIONS: mm	TOLERANCES UNLESS OTHERWISE SPECIFIED:
	0 PLC ±
	1 PLC ±10
	2 PLC ±5.0
	3 PLC ±
	4 PLC ±
MATERIAL	ANGLES ±5°
	FINISH

DWN	26DEC2019
FRANK FAN	
CHK	26DEC2019
GEORGE FU	
APVD	26DEC2019
MING SHI	
PRODUCT SPEC	-
APPLICATION SPEC	-
WEIGHT	-
CUSTOMER DRAWING	

STE TE Connectivity

NAME				PLUG 2 PIN WIRE TO WIRE CONNECTOR	
SIZE	CAGE CODE	DRAWING NO	RESTRICTED TO		
A3	00779	C-2271180	-		
SCALE 4:1		SHEET 3 OF 3	REV D2		