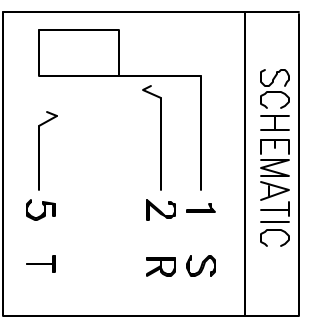


HOLE LAYOUT  
(TOP VIEW)



SPECIFICATIONS:  
 RATING: 12V DC @ 1A  
 CONTACT RESISTANCE:  
 30 MOHMS MAX  
 INSULATION RESISTANCE:  
 100 MOHMS MIN @ 500V DC  
 WITHSTAND VOLTAGE:  
 500V AC FOR 1 MINUTE  
 LIFE: 5,000 CYCLES

9815 SW Allen, Suite 103  
 Beaverton, OR 97006  
 Phone: (503) 643-4899  
 800-276-4899  
 Fax: (503) 372-1266  
 Website: www.cui.com



TITLE:  
**3.5mm AUDIO JACK-STEREO**

PC FILE NAME: SJ-3533N.DWG	COPYRIGHT 1997 BY CUI INC.
PART NO.: SJ-3533N	UNITS: MM [INCHES]
DRAWN BY:	APPROVED BY:
SCALE: 3X	