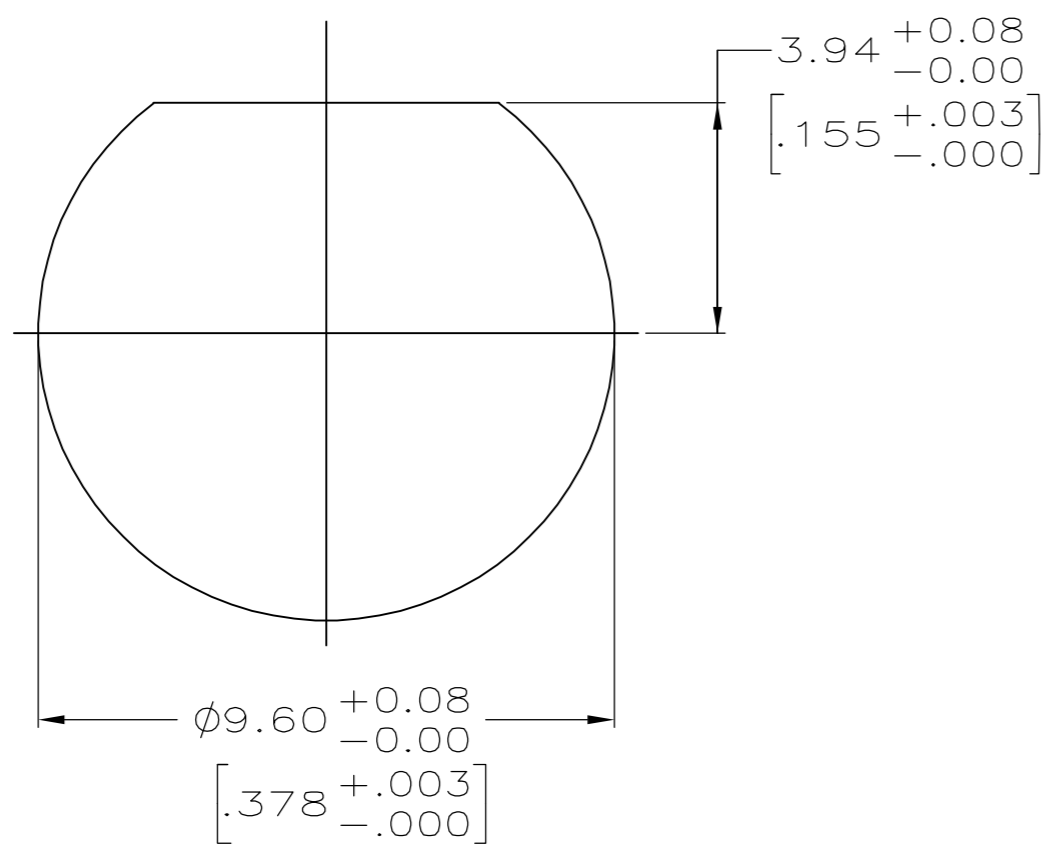
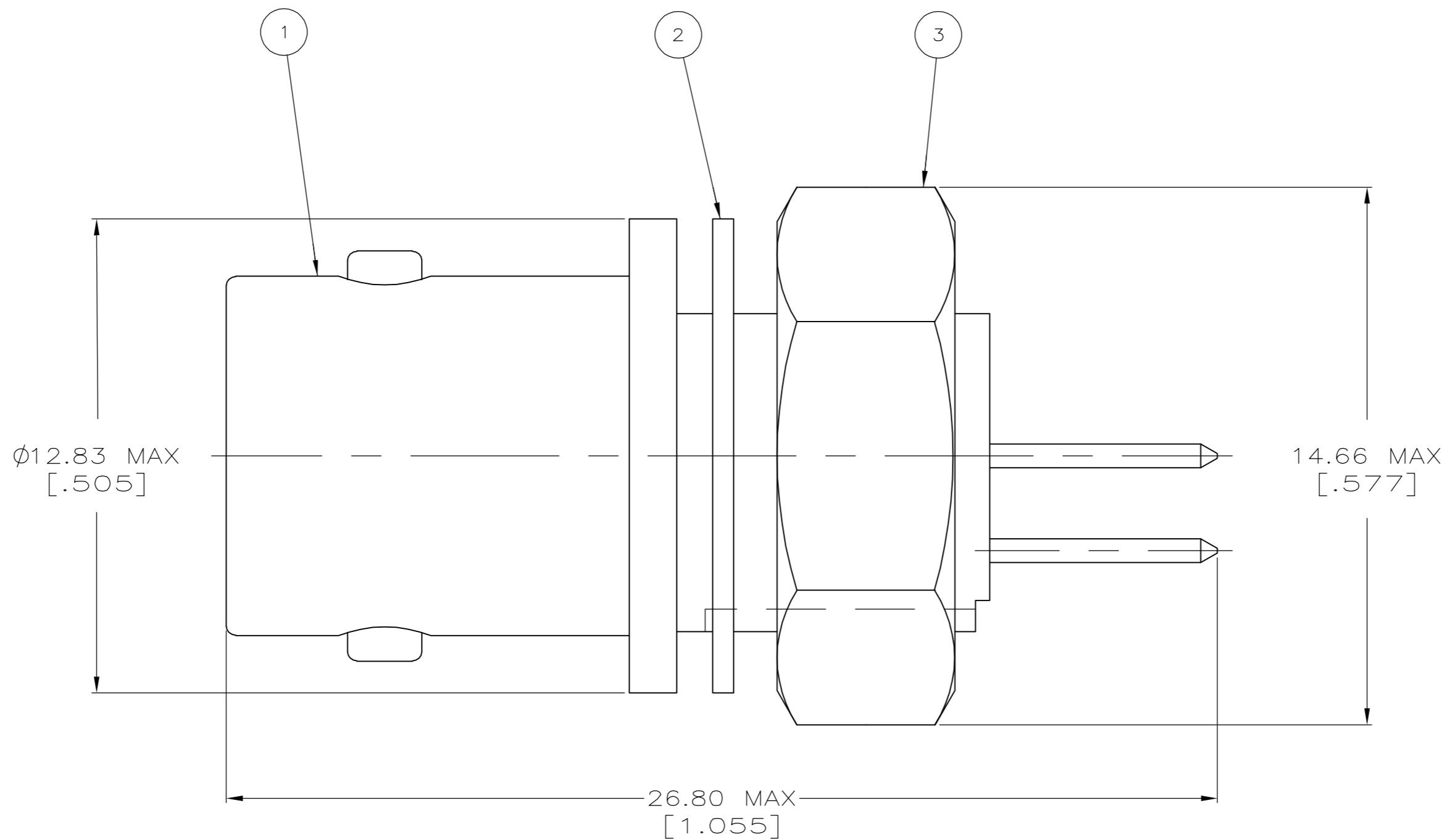


THIS DRAWING IS UNPUBLISHED. RELEASED FOR PUBLICATION  
 © COPYRIGHT BY TYCO ELECTRONICS CORPORATION. ALL RIGHTS RESERVED.

LOC	DIST	REVISIONS					
AJ	16	P	LTR	DESCRIPTION	DATE	DWN	APVD
		A		REV PER ECO 06-002539	07APR06	GB	JH



RECOMMENDED PANEL CUTOUT

9-414815-0	1-329492-1	414195-1	5414194-1
③ JAM NUT QTY=1	② LOCK WASHER QTY=1	① SOLDER RCPT, ASSEMBLY QTY=1	PART NUMBER

THIS DRAWING IS A CONTROLLED DOCUMENT.		DWN J. ALCORTA - 26APR2005	Tyco Electronics Corporation Harrisburg, PA 17105-3608	
DIMENSIONS: mm [INCHES]		CHK J. HAVENER - 26APR2005	NAME -	
TOLERANCES UNLESS OTHERWISE SPECIFIED:		APVD J. LIPPERT - 26APR2005	PRODUCT SPEC -	
0 PLC ± -		APPLICATION SPEC -		
1 PLC ± -		WEIGHT -		
2 PLC ± -		SIZE A2		
3 PLC ± -		CAGE CODE 00779		
4 PLC ± -		DRAWING NO C=5414194		
ANGLES ± -		RESTRICTED TO -		
FINISH -		SCALE 8:1		
MATERIAL -		SHEET 1 of 1		
		REV A		

5414194